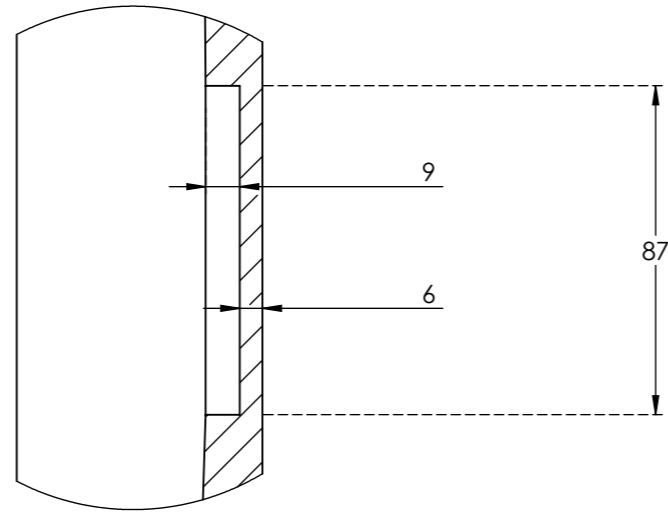
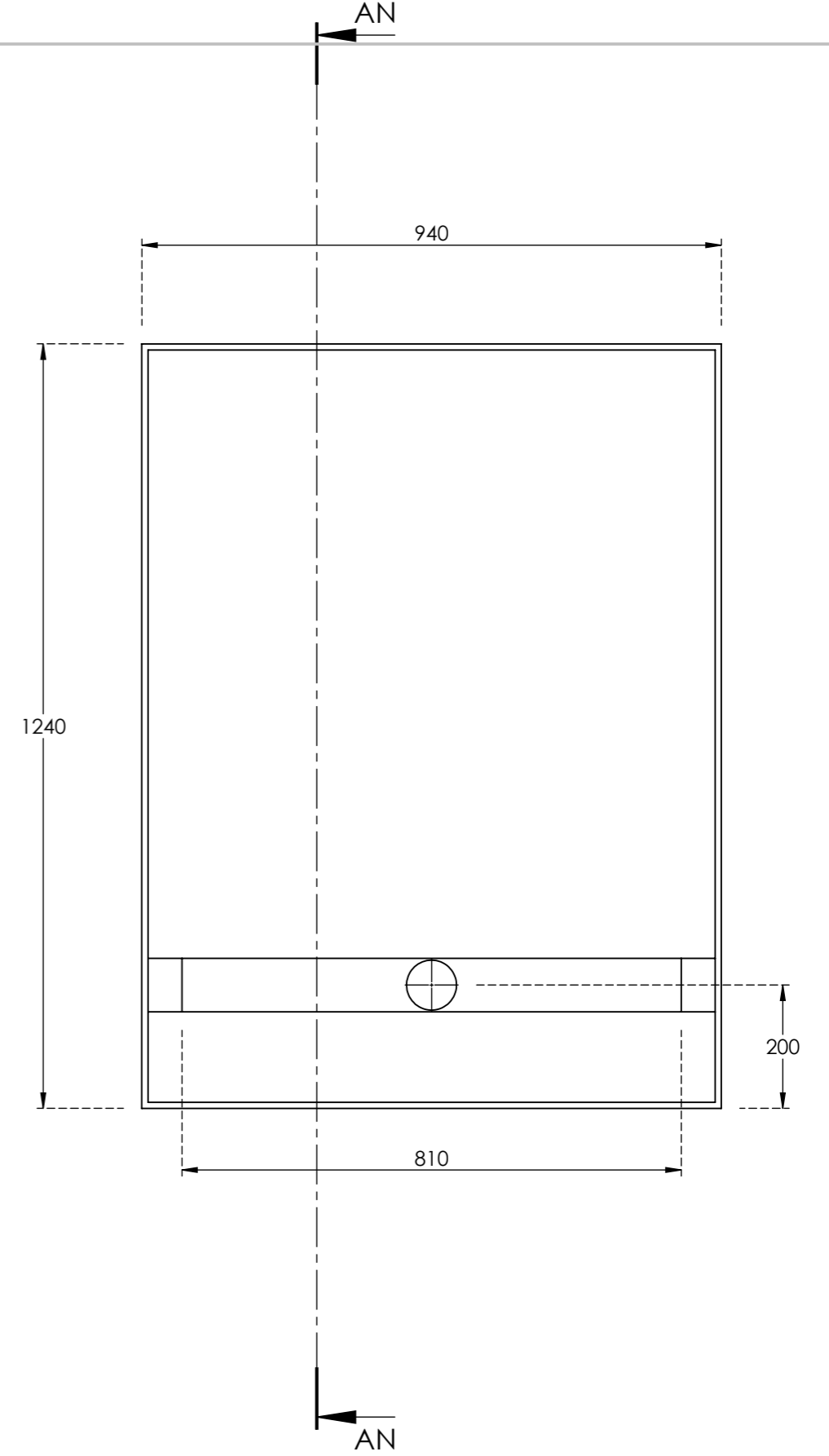
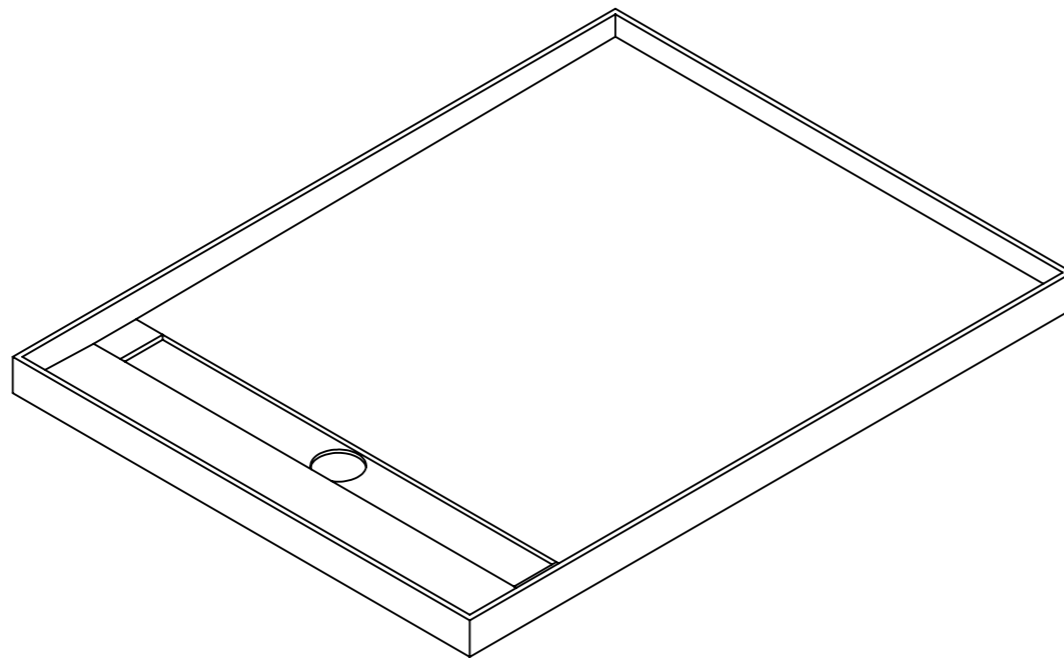


SECTION AN-AN



DETAIL AO
SCALE 1 : 2



IF IN DOUBT, ASK!			<small>UNLESS OTHERWISE SPECIFIED, DIMENSIONS ARE IN MILLIMETRES.</small> Tolerance: ± 3.0			UNIVERSAL SHOWER BASE Universal Shower Base 54-56 Elliott Road, Dandenong South, VIC, 3175 P +61 3 9791 8925 www.universalshowerbase.com.au				
			DRAWN	LDM	MATERIAL				Polyurethane Fibreglass Composite	
CHK'D	LDM	FINISH				SUB TITLE	OVERALL DIMENSIONS		A3	
APPV'D	PC	WEIGHT	16.10			FILE NAME	USB_Channel_Grate			
<small>THIS DRAWING & DESIGN REMAINS THE PROPERTY OF UNIVERSAL SHOWER BASE. THE INFORMATION IS CONFIDENTIAL & IS NOT TO BE PRODUCED OR DISCLOSED TO ANY PERSON OUTSIDE YOUR ORGANISATION WITHOUT PRIOR WRITTEN AUTHORISATION FROM UNIVERSAL SHOWER BASE</small>						PROJECT CODE			3/02/2022	
						PROJECT NUMBER			SCALE: 1:10	SHEET 1 OF 1