

SPEC PACK LAUNDRY COLLECTION

SPEC SHEET



NUGLEAM 45L SOFT CLOSE LAUNDRY UNIT

PRODUCT CODE:

71S01

FEATURES:

- / 45L Bowl with centre taphole
- / 304 Stainless Steel Bowl with 25mm internal corner radius
- / 90mm Stainless Steel basket waste
- / 0.8mm galvanised steel white powder coated unit
- / Pre-punched washing machine hose holes to conceal washing machine drainage hose and taps
- / Reversible soft close door with finger pull functionality, full overlay design and internal floor

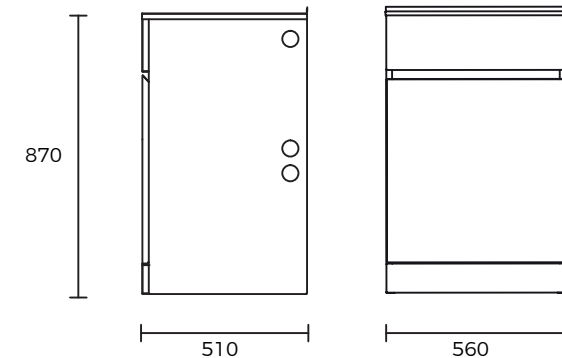
OVERALL DIMENSIONS: 560 W x 870 H x 510mm D

WARRANTY:

25 years on stainless steel

5 years on cabinet

1 year replacement warranty on plug and waste, door hinges and drawer runners



Disclaimer: All measurement are in millimetres and are solely for reference purposes. Colours have been reproduced with as much accuracy as possible. Any changes resulting from technical advance of design or colour may be made without prior notice. Tapware, accessories and appliances are for illustration purposes only. Further information on warranties is available at www.everhard.com.au

SPEC PACK LAUNDRY COLLECTION

PRODUCT DRAWING

