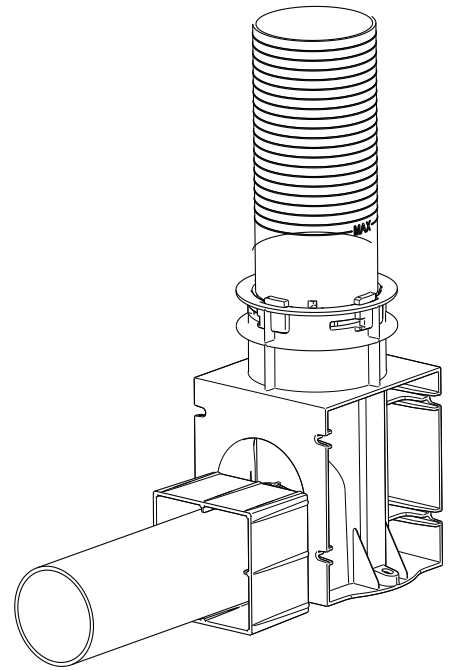


# INVISI™

## SERIES II

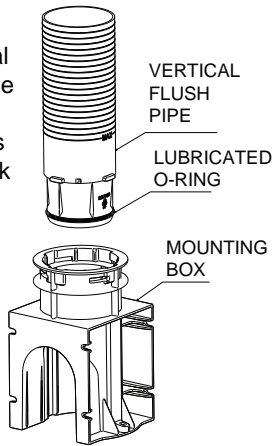
### 237790 - INVISI II Adjustable Flushpipe

Compatible with  
4.5/3 litre concealed cistern  
237007, 237003 and 237004



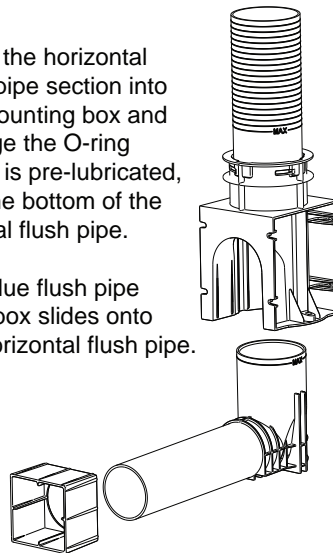
#### Adjustable Flush Pipe Assembly

1. Place the vertical flush pipe into the mounting box, locate the 4 clips and rotate to lock into position.

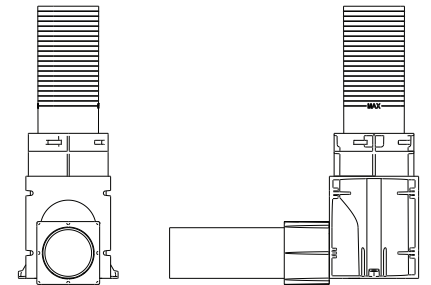


2. Insert the horizontal flush pipe section into the mounting box and engage the O-ring which is pre-lubricated, into the bottom of the vertical flush pipe.

The blue flush pipe tiling box slides onto the horizontal flush pipe.



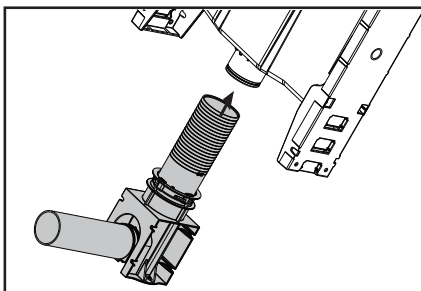
3. The bottom of the horizontal flush pipe should be level with the bottom of the mounting box.



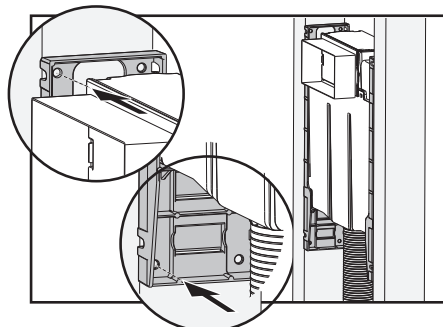
#### Inwall Access - stud wall

1. Fix Nogging 25mm below datum.
2. Cut flush pipe if required and chamfer the inside edge.

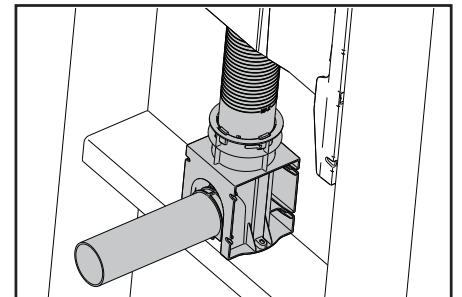
**Note:** "MAX" indicates the maximum amount that the flush pipe can be trimmed.



3. Lubricate 'O'Ring on cistern tail using soapy water and slide flush pipe on.
4. Screw cistern to studs via the 2 front, top and bottom holes in each mounting bracket making sure the water connection fitting is on the left hand side of cistern.



5. Secure the flush pipe to the Nogging utilising 2 of the screw holes in the flush pipe mounting box and slide blue flush pipe tiling box over flush pipe.



**1.** Check the DN 100 Soil Pipe is centred to the hole built into the masonry wall.

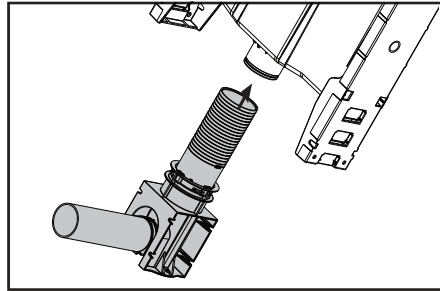
**2.** Make sure the hole for the flush pipe is at the correct height. Calculate the finished floor height (allowing for floor gradings and tile thickness, etc.) and add this to the known height of the selected pan's inlet. Mark this resulting height on the wall -

**This is your datum and flush pipe centre line.**

**3.** Confirm size and positioning of opening as shown is relative to your datum. Allowance must be made for finishing of the wall above the flush pipe

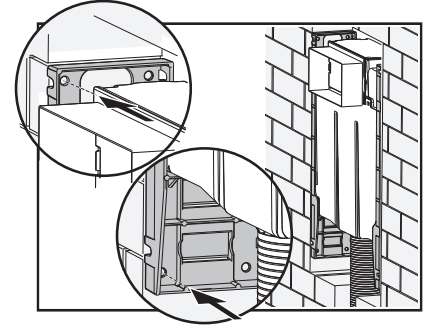
**4.** Cut flush pipe if required and chamfer the inside edge.

**Note:** "MAX" indicates the maximum amount that the flush pipe can be trimmed.



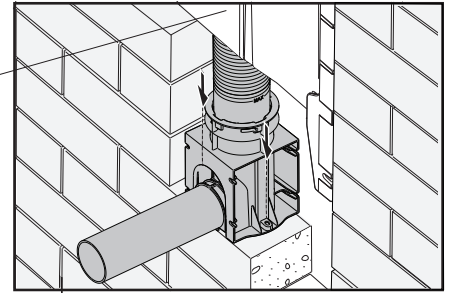
**5.** Lubricate 'O'Ring on cistern tail using soapy water and slide flush pipe on.

**6.** Screw cistern to wall via the 2 front, top and bottom holes in each mounting bracket making sure the water connection fitting is on the left hand side of cistern.



**7.** Secure the flush pipe to the masonry utilising 2 of the screw holes in the flush pipe mounting box and slide blue flush pipe tiling box over flush pipe.

**NOTE:**  
90mm Min. Cavity Depth  
**Ensure cistern is installed flush with wall**



## Adjustable Flush Pipe Feature

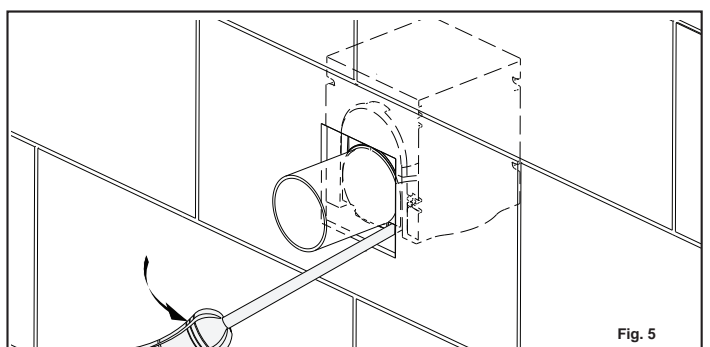
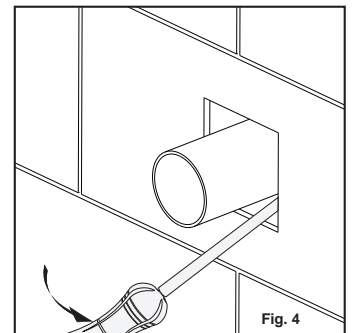
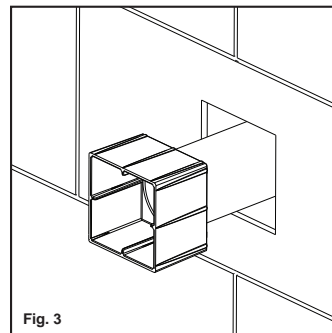
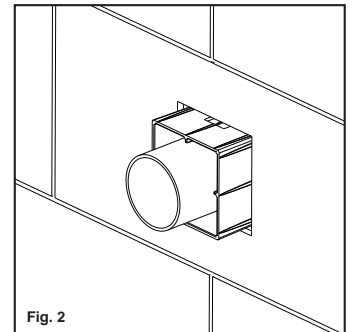
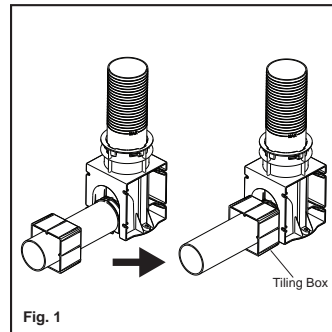
**1.** After the adjustable flush pipe has been mounted and before the tiler prepares the wall, the blue flush pipe tiling box must slide onto the horizontal flush pipe section as shown in **Fig. 1**.

**2.** Ensure the horizontal flush pipe is pushed down to the lower position. The tiler can then tile the wall making sure to tile up to the tiling box, as shown in **Fig. 2**.

**3.** Once tiling is complete and the tiles are set, remove the tiling box and discard, as shown in **Fig. 3**.

**4.** At the time of the pan installation measure the pan inlet hole and check it lines up with the flush pipe. If the flush pipe is too low the horizontal section of the flush pipe can be raised for better alignment to the pan. To adjust the flush pipe insert a large flat edge screwdriver into the gap between the underside of the flush pipe and the noggin and gently lever the underside of the flush pipe to raise to the required height, as shown in **Fig. 4** and **Fig. 5**. Care must be taken not to damage the pipe. If the tiles above the flush pipe restrict the movement then carefully cut a small section of the tile away to allow the flush pipe to move upwards. (Ensure the pan will cover up the gap created in the tiles when the pan is installed).

**Please Note:** The horizontal flush pipe can have a total adjustment range of 25mm.



## Helplines

Australia **131416**  
New Zealand **09 279 2700**  
USA **1800 605 4218**

[www.caroma.com.au](http://www.caroma.com.au)  
[www.specify.caroma.com.au](http://www.specify.caroma.com.au)  
[www.caroma.co.nz](http://www.caroma.co.nz)  
[www.caromausa.com](http://www.caromausa.com)