

NOTE: use of product constitutes acceptance of warranty terms and conditions.

Important safety information

Observe the following during assembly and operation to protect your device from damage:

- Helios light panel may only be repaired by authorized service personnel. Never open the control box or light panel yourself. Doing so invalidates the Warranty.
- Only connect approved accessories.
- Do not use the connected cable to lift your Helios light panel, as damage to cable may occur, which is not covered under warranty. Instead use the notched areas provided (located at the sides of the device, as shown in the illustration below).
- Only connect cables to the sockets and connection ports intended (*reference assembly instructions*).

Observe the following during assembly and operation to protect yourself from personal injury.

- To prevent the risk of electric shock:
 - Do not submerge.
 - Never touch the power connector with a sharp or metallic object.
 - Never connect or disconnect cables or AC adapters during a thunderstorm.
 - Never connect or disconnect cables or AC adapters with wet hands.

UberLux is not liable for any injuries arising or resulting from improper securing of cables.

- To prevent the risk of tripping or falling:
 - Place connection cables in a well-marked or well-secured/concealed location.
 - Be mindful of loose or missing anti-skid pads, when detached they pose a slip threat.
 - Avoid walking upon your Helios if its surface is wet as it poses a slip threat. Remove all fluids from top lens prior to stepping on the panel.
 - UberLux is not responsible or liable for injuries, personal or otherwise, that arise due to Helios being used in unintended manners.

Intended use

The Helios light panel serves to illuminate working areas such as workshops, vehicle service bays, showrooms, or production plants. When placed on a level surface, Helios can be walked upon and driven upon by vehicles.

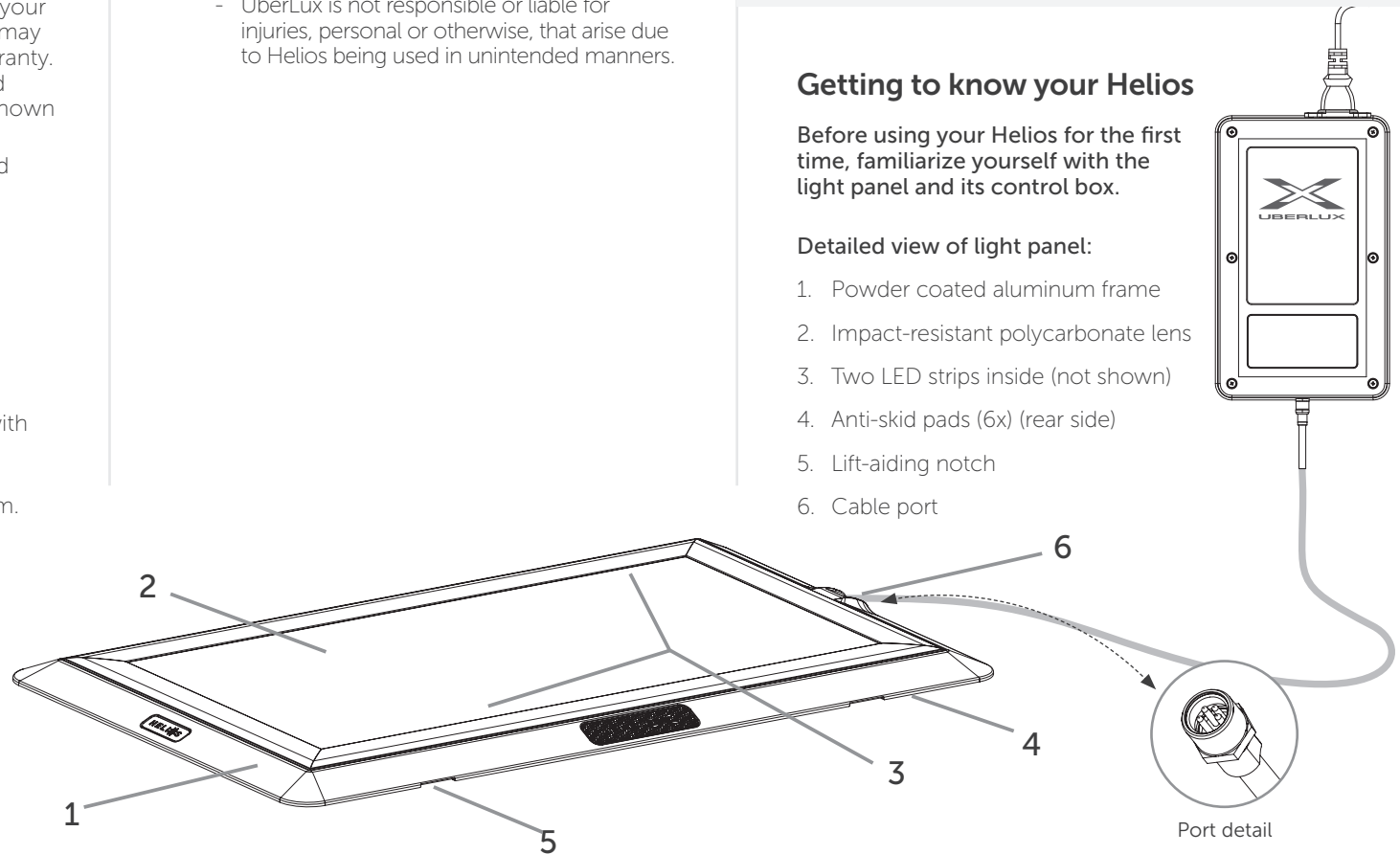
NOTE: UberLux is not deemed liable for damage caused by any use of Helios that does not comply with its intended use. Observe all instructions regarding handling and safety provided in this user manual.

Getting to know your Helios

Before using your Helios for the first time, familiarize yourself with the light panel and its control box.

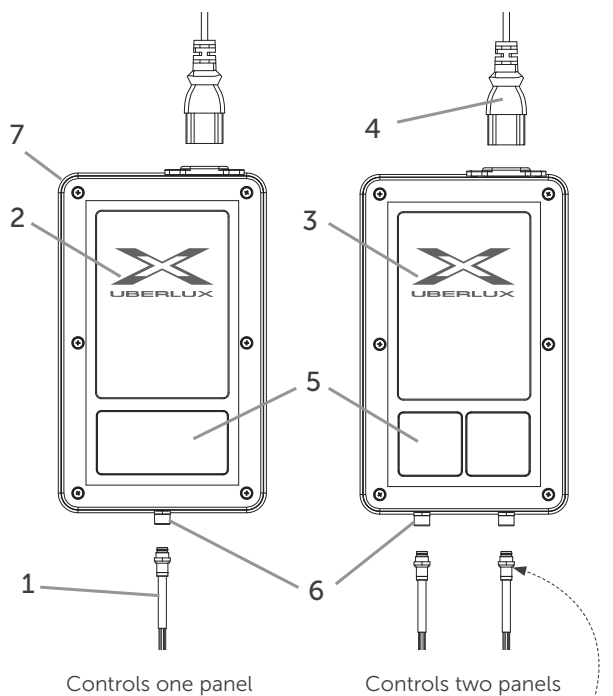
Detailed view of light panel:

1. Powder coated aluminum frame
2. Impact-resistant polycarbonate lens
3. Two LED strips inside (not shown)
4. Anti-skid pads (6x) (rear side)
5. Lift-aiding notch
6. Cable port



Detailed view of control box:

Your control box can either control one or two Helios panels (*per the illustration below*) depending upon which model you purchased.



1. Connection cable
2. Control box (*single panel*)
3. Control box (*dual panel*)
4. Power cord
5. Capacitive touch button(s)
6. Cable port(s)
7. Four magnetic feet (*rear side/one per corner*)

Assembly

- Connect the control box to the Helios Light panel using the connection cable.
- Centrally position your Helios on a clean, level work surface to ensure optimal illumination – we recommend sweeping your work area before assembly.
- Position Helios control box at an ergonomic height (e.g., on the lifting platform) – it can be attached to any metal surface.
- Lay the connection cables where they do not pose a tripping hazard.
- Connect the control box to an electrical outlet using power cord.

NOTE: UberLux is not liable for any injuries arising or resulting from improper securing of cables. We recommend using a cable bridge. Pay attention to sufficient load-bearing capacity when selecting the cable bridge.

Technical data

Model	Helios
Color temperature	5700K
Lumen output (rated)	8,225 lm
Type of protection	IP 66/67 (Panel only) Suitable for damp locations per UL 153
Power consumption	60 W (max. per Helios)
Supply voltage input <small>Power adapter integrated in control box</small>	120-277 VAC / 50-60Hz Output: 24 V, 2.5 A (per Helios)
Operating temperature range	5° C to 40° C 41° F to 104° F
Dimensions (L x W x H)	690 x 386 x 18.3 mm (Helios) 26.7" x 16.2" x 0.9" 190 x 120 x 60 mm (control box) 8.4" x 5.2" x 3.3"
Weight	6.35Kg (Helios) 14.0 lb 0.90Kg (control box) 2.0 lb

Cleaning

Helios is resistant to most of the liquids found in normal vehicle service workshops. However, you should clean after each use, using solvent-free cleaning agents.

NOTE: Acetone-based solvents will cloud the polycarbonate lens and must be removed immediately from panel to limit damage. Acetone-based solvent damage is not covered under warranty.

Warranty

Warranty information for UberLux branded product only

IMPORTANT: BY USING YOUR UBERLUX PRODUCT YOU ARE AGREEING TO BE BOUND BY THE TERMS OF THE UBERLUX ONE (1) YEAR LIMITED WARRANTY ("WARRANTY") AS PROVIDED AT WWW.HELIOS-LIGHT.COM/WARRANTY. DO NOT USE YOUR PRODUCT UNTIL YOU HAVE READ THE TERMS OF THE WARRANTY, AND YOU ACCEPT ITS TERMS AND CONDITIONS, INCLUDING THE LIMITATIONS, EXCLUSIONS, AND DISCLAIMERS THEREIN. IF YOU DO NOT AGREE TO THE TERMS OF THE WARRANTY, DO NOT USE THE PRODUCT AND RETURN IT TO PLACE OF PURCHASE WITHIN THE RETURN PERIOD STATED IN UBERLUX'S RETURN POLICY (FOUND AT www.helios-light.com/return-policy).



For additional resources and information, visit www.helios-light.com. Contact us directly at support@helios-light.com or 317.593.5939 from 8:00am to 5:00pm EST Monday through Friday.