



# Siemens MAGNETOM Aera 1.5T

RELOCATABLE MRI BUILDING  
PLANNING GUIDE  
MR13



# Table of Content

---

<b>Rental Solutions from Scandinavian Medical Solutions</b> .....	2
<b>System Specifications</b> .....	2
<b>Inventory</b> .....	7
<b>Equipment List</b> .....	7
<b>Dimensions &amp; Weight</b> .....	8
<b>Access to The Building</b> .....	9
<b>Environmental Requirements</b> .....	10
<b>Minimum Required Area</b> .....	10
<b>Minimum Container Sitting Conditions</b> .....	12
<b>Conditions of Container Lifting Guidelines</b> .....	13
<b>MRI Building Connection</b> .....	14

## Rental Solutions from Scandinavian Medical Solutions

At Scandinavian Medical offer solutions that differ from other rental solutions on the market, providing a flexible, cost-effective solution tailored to your requirements, timeline, and budget.

Our team has developed a unique and flexible rental concept, which provides you with a wide selection of customized alternatives to high-cost OEM equipment at a fixed monthly rate. There are no heavy investments, no risks, and no residual value.

We offer short – and long-term rental solutions - from fixed-site to trailers and modular rental solutions. Regardless of the challenges you face - be it replacement of equipment, breakdowns, bridging periods, or back-locks - we offer excellent solutions that ensure you can avoid downtime and optimize your scan capacity.

## System Specifications

---

- **Brand:** Siemens
- **Model:** Aera 1.5T
- **YOM:** 2010
- **Channels:** 48 Channels
- **Gradients:** XJ Gradients
- **Magnet Type:** OR98
- **Compressor type:** Sumitomo F-70H
- **Last adsorber change:** 20/05/2020
- **Coils:** Body 18ch, Head/Neck 20ch, Spine 32ch, TxRx Knee 15ch, Shoulder Large 16ch, Shoulder Small 16ch, Special Purpose 4ch, Flex Large 4ch, Flex Small 4ch, Tim Coil Interface, Flex Coil Interface
- **Software Version:** VD13A-SP07
- **Software Options:** Tim Application Suite, Angio Suite, Cardiac Suite, Neuro Suite, Body Suite, Onco Suite, Ortho Suite, Breast Suite, Scientific Suite, syngo General License, 3D Usage License, 3D MPR (Volume of Interest), 3D MIP, 3D SSD, Argus Viewer, Worklist, PhoenixZIP, Stereotactic Support, syngo Remote Assist, CISS & DESS, TimCT Fast View, iPAT Extensions, Image Filter Software, MPPS, Inline 3D Distortion Correction, Dot Engine Basic, Brain Dot Engine, Inline Diffusion, BLADE, AutoAlign Head LS, Argus Function, Flow Quantification, Argus Flow, MDDW, Composing, Inline Composing, Tim Planning Suite, TWIST, Argus 4DVF, AutoAlign Knee, Extended Cardiac, Knee Dot Engine, Angio Dot Engine, Motion Correction NR, Morpho Quality



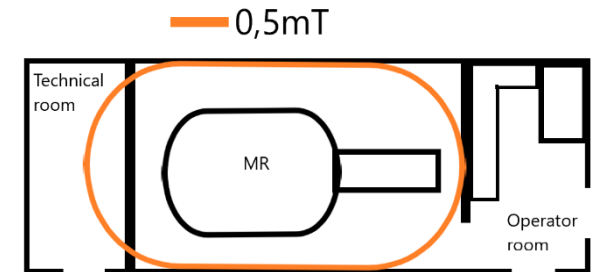




## Inventory

---

- Housing – wooden panels with stone wool, color white.
- Doors in operator room with interior blinds
- Door to technical bridge - aluminum filled with lamellas.
- Magnetic shielding - fringe field not exceeding 0,5 mT outside of building.
- RF room in accordance with the system requirements
- Chiller incl. cooling water installation.
- Air-conditioning with temperature control.
- Electrical installations.



## Equipment List

---

- 1 planning guide
- 4 lifting eyes
- 1 aluminum Fire Extinguisher (in technical room)
- 1 ladder (in technical room)



## Dimensions & Weight

---

MRI building with its dimensions you can see in Figure 1.

The height of container is **3,40m**.

The total weight of a building including the MRI Siemens Aera 1.5T system is about **34 tons**

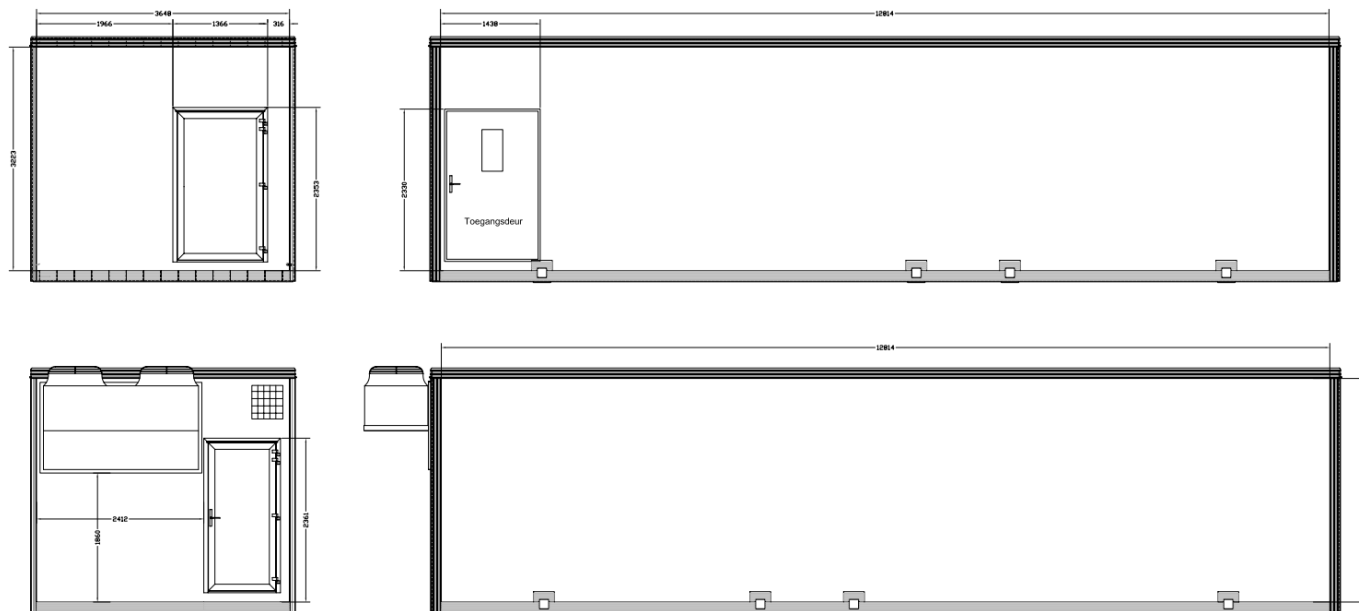


Figure 1 MRI building (can differ in furnishing and positioning of doors)

## Access to The Building

The relocatable MRI building can be accessed via:

- door on side – leading to the technical room.
- doors leading to the operator room. Mentioned doors can be found in the figure below

Service access to the building is enabled by roof hatch, and service doors on the back of the building. Service doors on the back give access to the chiller and technical bridge. Location of these is shown in the figure below.

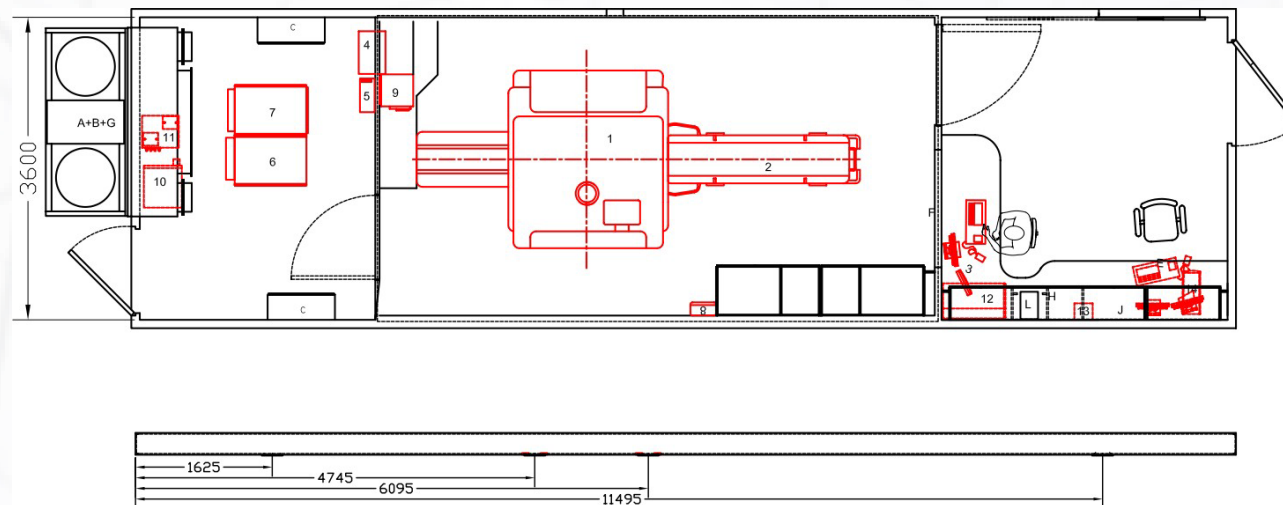


Figure 2 Entrances (can differ in furnishing and positioning of doors)

## **Environmental Requirements**

---

All necessary administrative consents needed for the unit installation in the indicated area and for entry and unloading should be provided. Also, permission to enter and work the crane from 6am to 6pm must be provided.

It is necessary to prepare and secure the access road to the entry of heavy equipment and the foundation of the unit. Moreover, maximum 1 % terrain deferral. If more, site preparation with ground leveling is to be handled prior to installation.

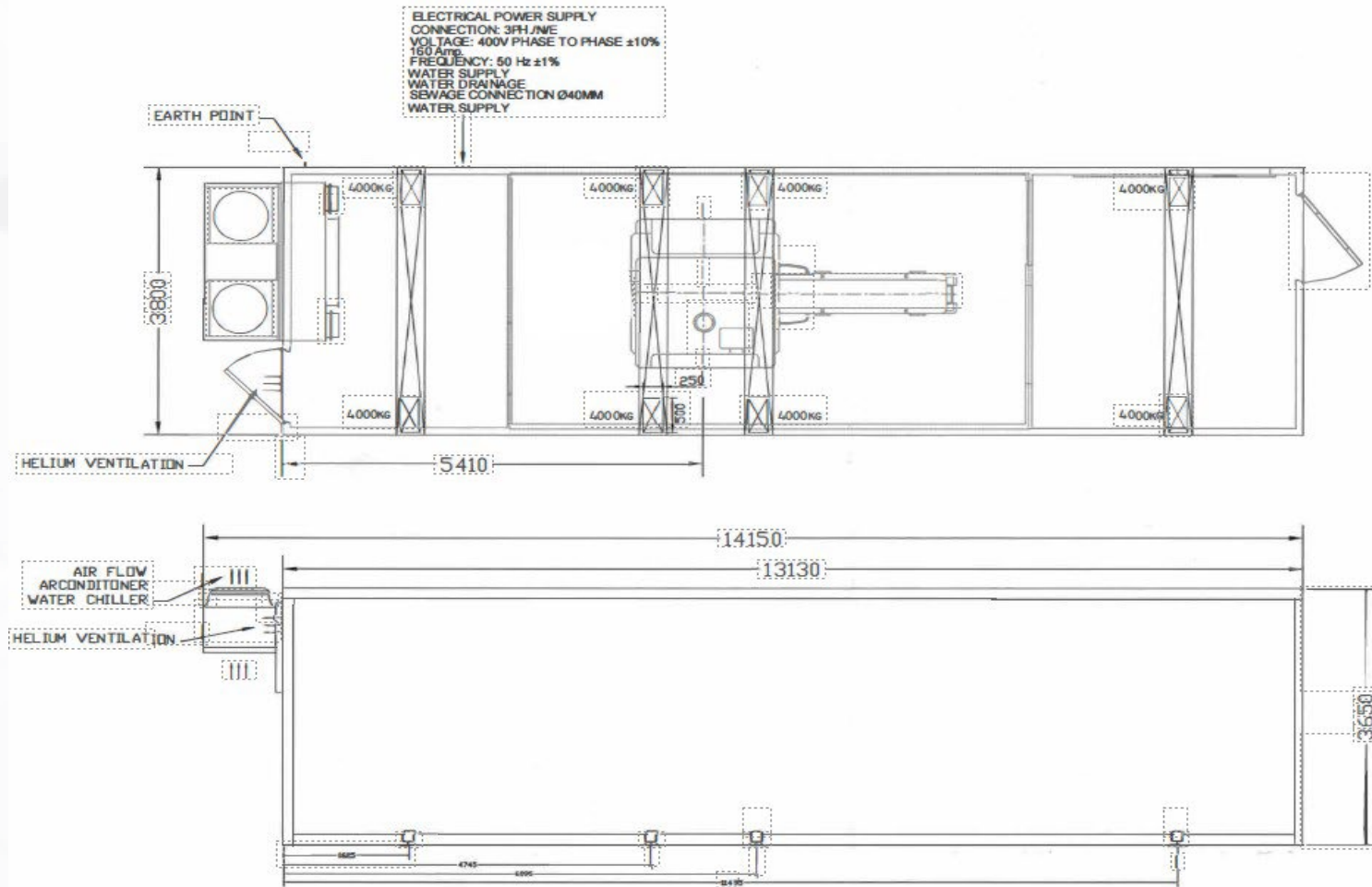
## **Minimum Required Area**

---

To enable access to all parts of the MRI building you need to provide a suitable area. Required area for the unit is: 16,60 m x 6,20 m and is shown in the figure below.

Contact our technical department for the detailed minimum required area.

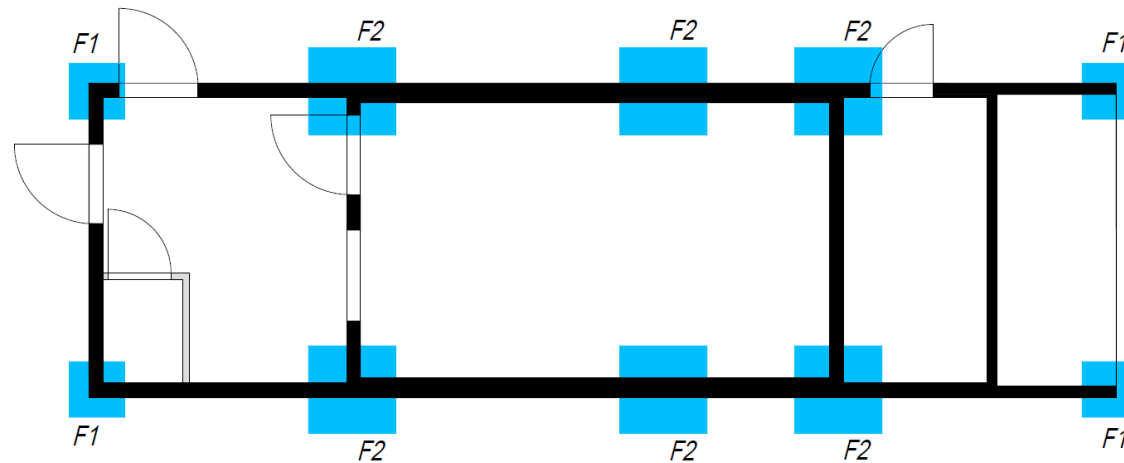
Figure 3: Layout



## Minimum Container Sitting Conditions

A level ground should be prepared for unit installation with an accuracy of 10mm. Detailed information about preparing the ground can be found in the technical documentation.

Figure 4: Sitting Conditions



F1 – 0,7x0,7m

F2 – 1,1x1,1m



## Conditions of Container Lifting Guidelines

The unit should be lifted by 4 lifting brackets mounted on the upper frame. The lifting scheme can be seen in Figure 3. The crane selection must be considered individually for each project

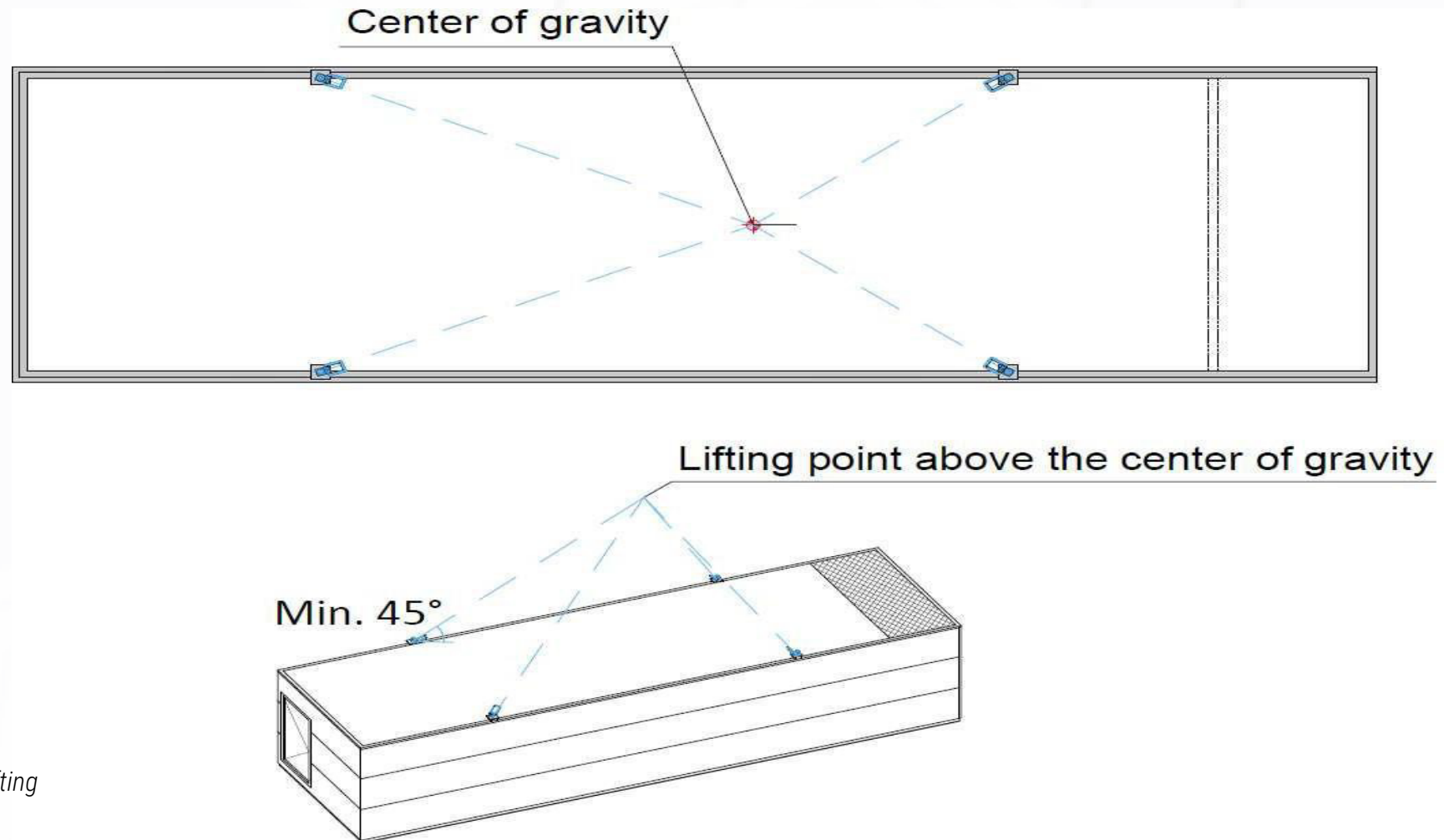


Figure 5: Lifting

## MRI Building Connection

---

It is necessary to ensure power supply and connection of the building by a person with appropriate qualifications. The unit should be connected within 2 hours from the setting. (No later than 2 hours)

<b>Power/tension requirements</b>	<b>400V, 200 Amp – 50 Hz. Three-phase systems with insulated neutral and earth (TN-S - N + PE) Phase 1 - R or L1 Phase 2 - S or L2 Phase 3 - T or L3 Neutral - N Earth - PE</b>
<b>Norm connection plug</b>	<b>Marechal 250A-type plug, 3 phased/ N/E/, 5 poles (female Marechal 250A outlet to be provided by client).</b>
<b>Voltage variation</b>	<b>+/- 10 %</b>
<b>Frequency (Hz) variation</b>	<b>+/- 1%</b>
<b>Distance to the main distributor box of the system</b>	<b>Advised max 10 m</b>
<b>Emergency power stop switch</b>	<b>Installed in; scan room, operator room and technical room</b>
<b>Rotating field of the connection on the site of the customer</b>	<b>Voltmeter in technical room will show direction</b>

## Contact

 +45 53 70 11 38 or +45 25 31 80 80

 Gasvaerksvej 48, 1st Floor Right, 9000 Aalborg, Denmark

 [scandinavian-medical.com](http://scandinavian-medical.com)

 [rental@scandinavian-medical.com](mailto:rental@scandinavian-medical.com)