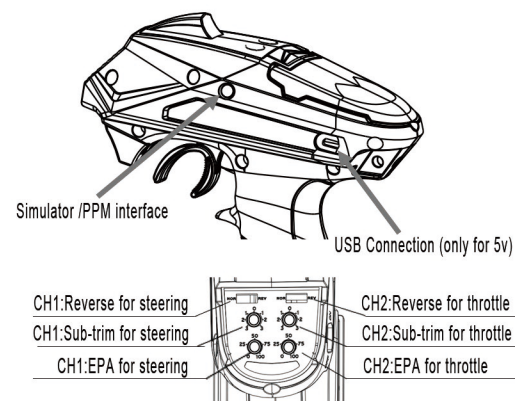
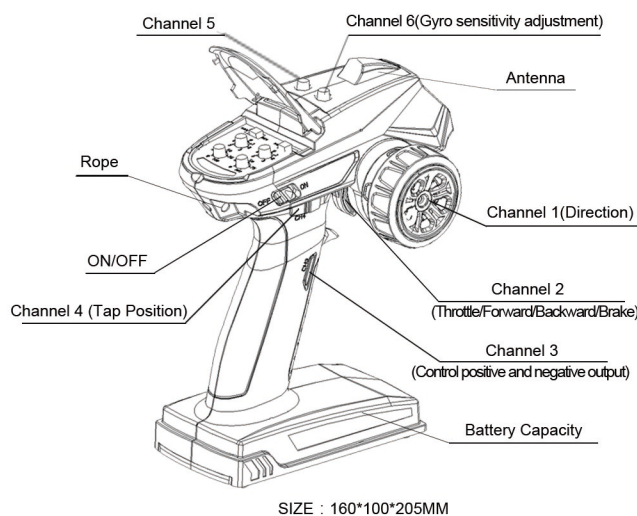


INJORA

Features:

- 2.4G technology, FHSS 67 channels frequency-hopping spread spectrum, highly resistant to anti-jamming.
- Receiver response time is 3ms, ensuring a fast response and better control.
- Smooth and highly sensitive to control inputs and stable at distances from 400-500m.
- Compatible with a variety of vehicles; suitable for RC cars, RC boats and RC tanks.
- With brake and fail safe, out of control protection function.
- Each of the 3 channels can be set respectively, supporting mixed control of 1 and 2 channels.
- Voltage range of the transmitter: 4.8V-12V(support 1s-3s), automatic identification of voltage, low voltage warning: 7.4V/4.8V
- Voltage range of the receiver: 3.3V-10V, working current 30mA, supports high voltage servos.
- The receiver's integrated gyro(optional), ensures that the RC vehicles stay in course, preventing measure, drifts and turnovers. Supports gyro sensitivity adjustment.
- The unique throttle speed limit adjustment function, allows beginners to practice at a safe speed.

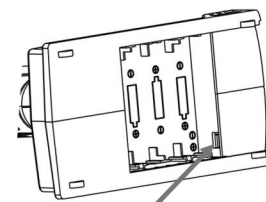
Channel function



Basic operation

> Battery installation:

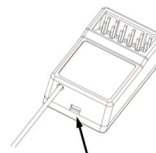
- Open the battery compartment cover.
- Insert 4 AA fully charged batteries or 2S Li-Po batteries with correct polarity. (No response if battery polarity reversed).
- Replace battery compartment cover.



The battery socket is equipped with anti-reverse insertion function, wrong polarity connection will not burn the transmitter.

> Binding process:

- Press receiver button, LED indicator fast flashing means entering into binding mode, the receiver will automatically looking for the nearest transmitter signal,
- The indicator will always ON after successful bound.



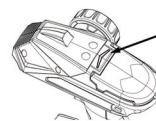
> LED lights:

Direction control mode for servo normal steering: Blue light is always on.

Mixed direction control mode for tank: Red light is always on.

Low voltage warning: Light flashes slowly.

Enter into the second level menu setting mode: Light fast flashing.



> Receiver with Gyro function:

Press the button in 3 times to entering into Gyro mode and switch into normal mode, press the button in 2 times to adjust the left and right compensation for direction, through the 6-channel knob to adjust the sensitivity of the Gyro (the green indicator light in normal mode is on, and the purple indicator light in gyro mode is on)

The 6th channel knob switch can be used as a separate channel when it does not use the gyroscope function.



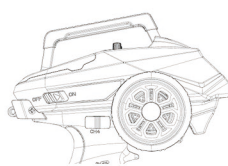
W/O Gyro



With Gyro

> Radio control accessory

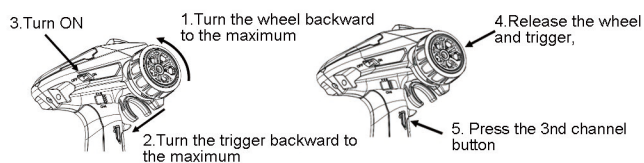
Phone bracket and transmitter hand carry set are available



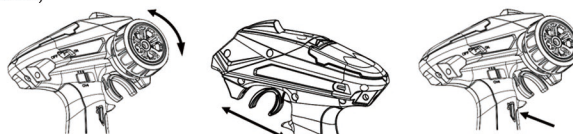
Menu Settings

> Enter into program mode

Turn the wheel backward to the maximum, and at the same time turn the trigger backward to the maximum. Power on the transmitter, release the wheel and trigger, press the 3rd channel button, and the panel indicator light will flash, indicating entering the setting mode.



二、 The route of the forward and backward rotation of the direction wheel indicates the setting of the route of the servo. The route of the forward and backward of the throttle trigger indicates the forward and backward route. After the route sets well, the trigger and the steering wheel return to the middle position. If it is not necessary to set the 3rd-channel and 4th-channel route, press the 3rd-channel button to confirm the setting after the steering wheel and trigger are still at the mid-point for 3 seconds. After the setting is successful, the indicator light will stay on and enter the normal mode. (Default factory setting are maximum route for the 1st channel and 2nd channel)



CH1 Route Setting

CH2 Route Setting

Submit Key

三、 1. In the setting mode, 1st and 2nd use the channel adjustment knob on the panel to set the 3rd channel and 4th channel route.

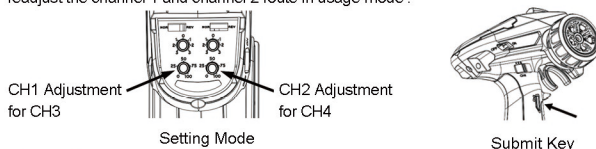
2. Namely after entering the secondary menu:

the item will be the default 1st and 2nd channel route of the adjust rotational position confirmed 3rd and 4th Channel route; It can be manually adjusted with the size of the knob numerical;

3. Change 3rd and 4th channel route, press the three channels to confirm the Settings.

(the Factory default maximum route: the 1 Channel knob to adjust the 3 Channel route, the 2 Channel knob to adjust the 4-channel route).

Caution: 1. After entering the Secondary menu, the system will automatically remove Channel 1 and Channel 2, the previous value of unilateral route memory, and must reset a unilateral route volume, otherwise the system defaults to 0. 2. After entering normal usage mode, the location of the Channel 1 and Channel 2 route represent the new Channel 1 and Channel 2, it can readjust the channel 1 and channel 2 route in usage mode.



CH1 Adjustment for CH3

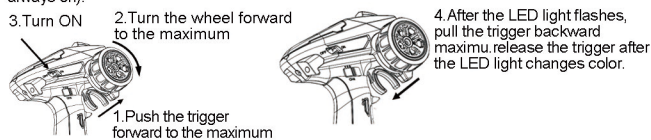
CH2 Adjustment for CH4

Setting Mode

Submit Key

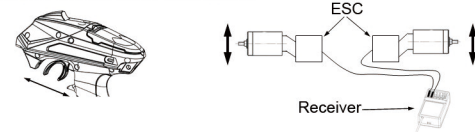
Mode switch:

Push the trigger forward to the maximum, at the same time, turn the wheel forward to the maximum, power on the transmitter, after the indicator light flashes, hook the trigger backward to the last, after the indicator light color changes, the trigger should return to the middle position, and the indicator light is always on to indicate that the mode switch is successful (the blue light in general mode is always on, and the red light in mixed mode is always on).

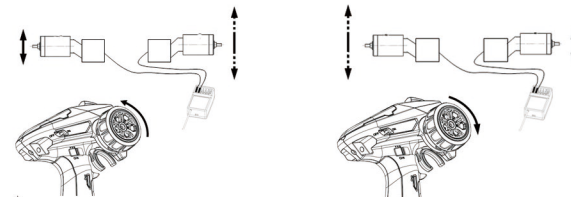


Mixed mode:

Connect the two ESC signal lines to the channel 1 and channel 2 of the receiver. under the mixed mode, the trigger moves backward and forward to control the rotation of the two motors. The positive and negative rotation of the motor can be set through the two positive and negative switches on the control panel.



In the mixed mode, the RC model moves forward at a certain speed. At this time, the speed of the two motors can be adjusted by channel 1 directional wheel to realize differential steering.



In the mixed control mode, the channel 1 and channel 2 pass forward and reverse direction, neutral point and motor route can be set separately.

INJORA

Digital Proportional Radio Control System