

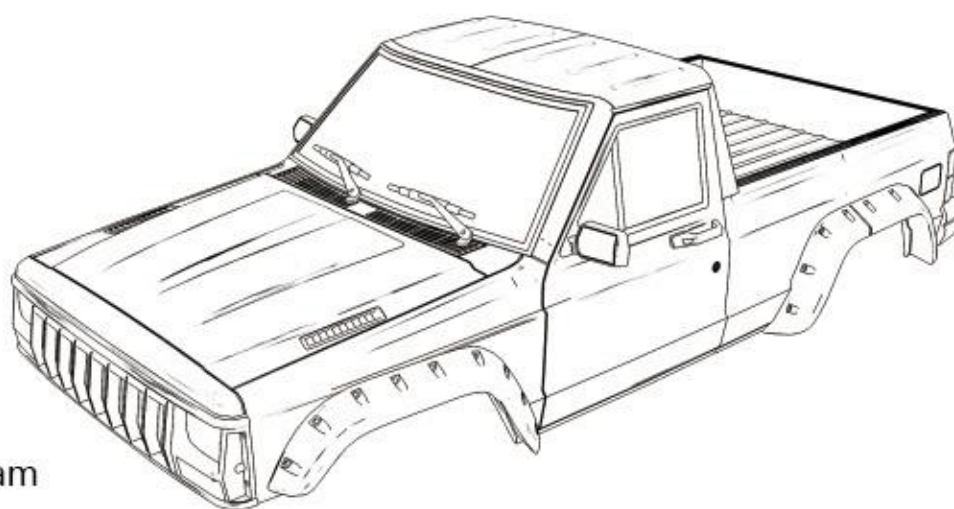


# Car Shell Instruction Manual

## — INJORA

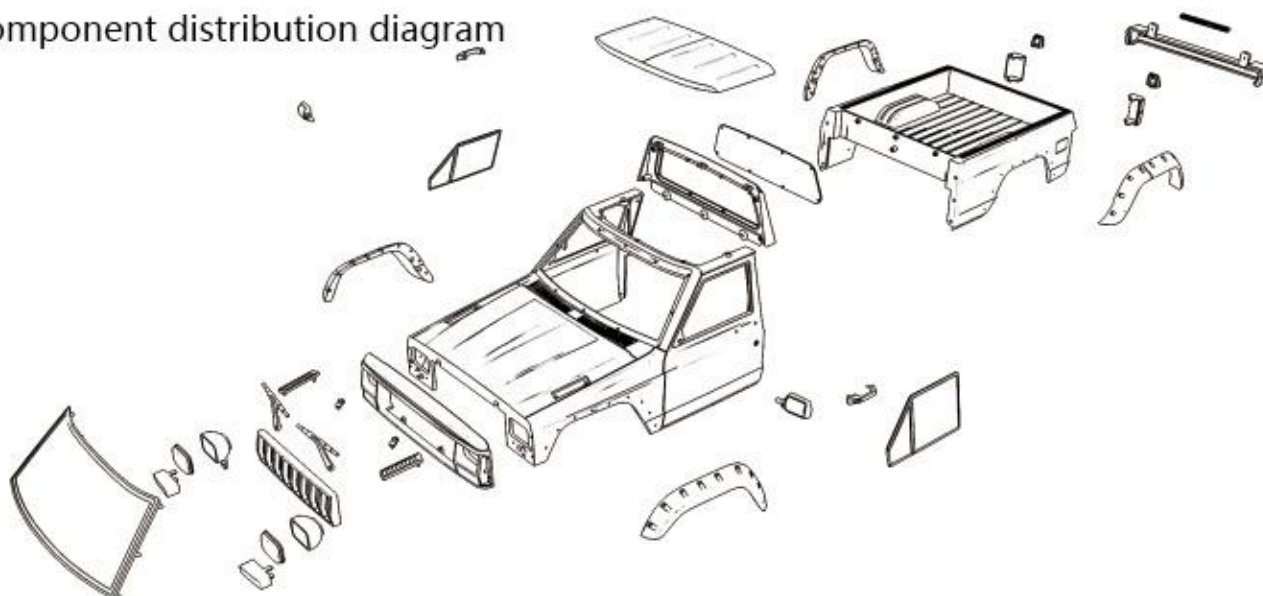
### Screw Specification

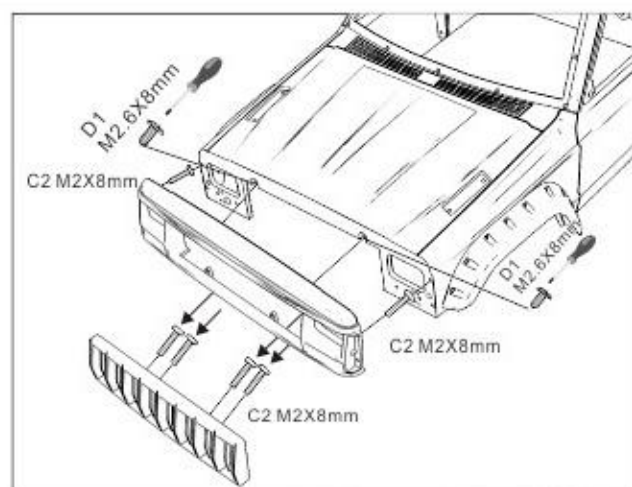
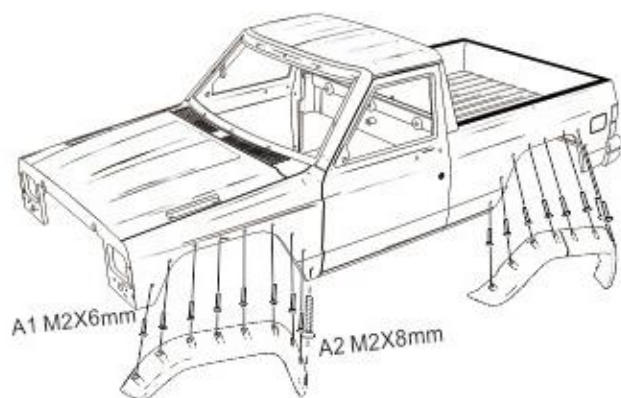
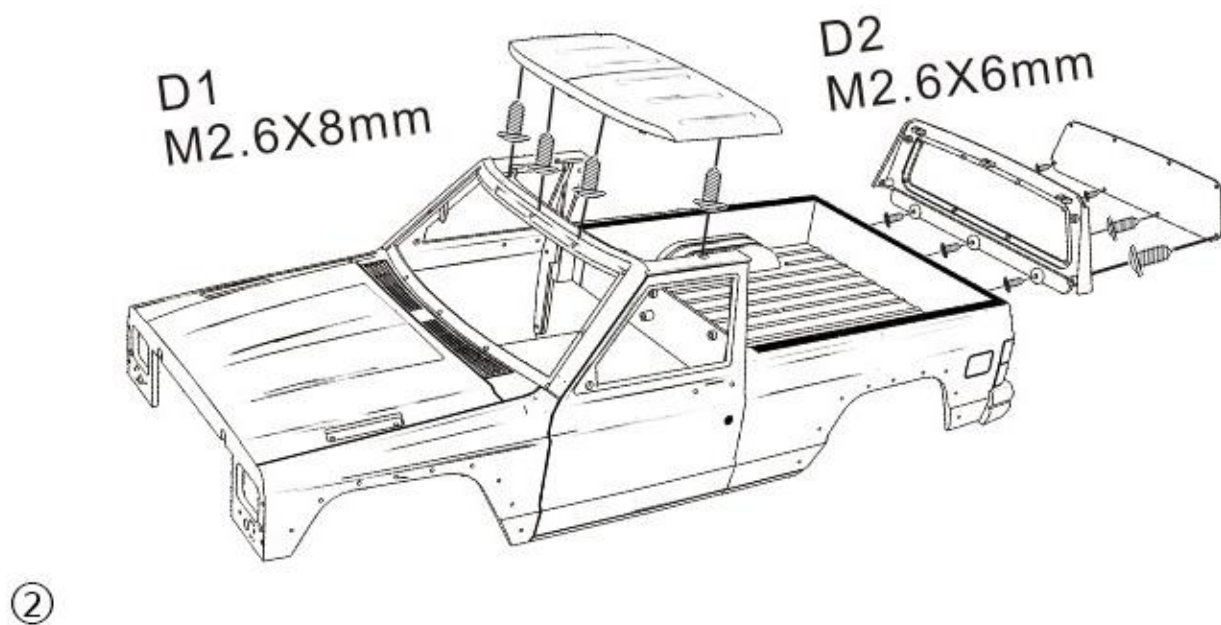
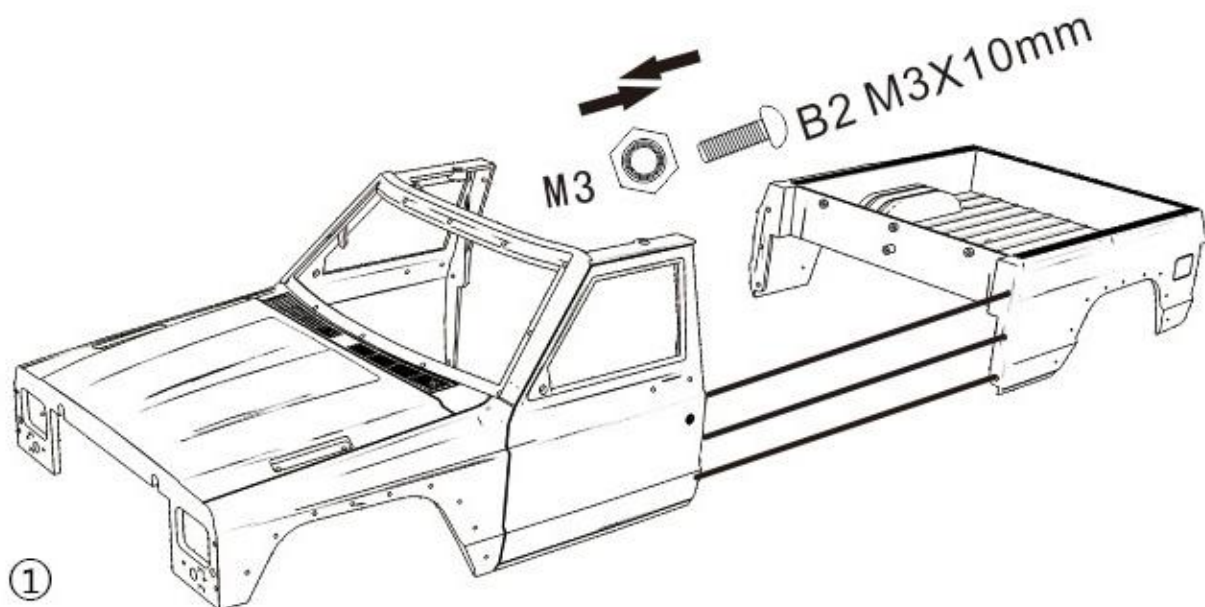
	A1 M2X6mm Screw		B1 M3X6mm Screw
	A2 M2X8mm Screw		B2 M3X10mm Screw
	A3 M2X10mm Screw		D1 M2.6X8mm Screw
	C2 M2X8mm Screw		D2 M2.6X6mm Screw
	M3 Nuts		M2 Nuts



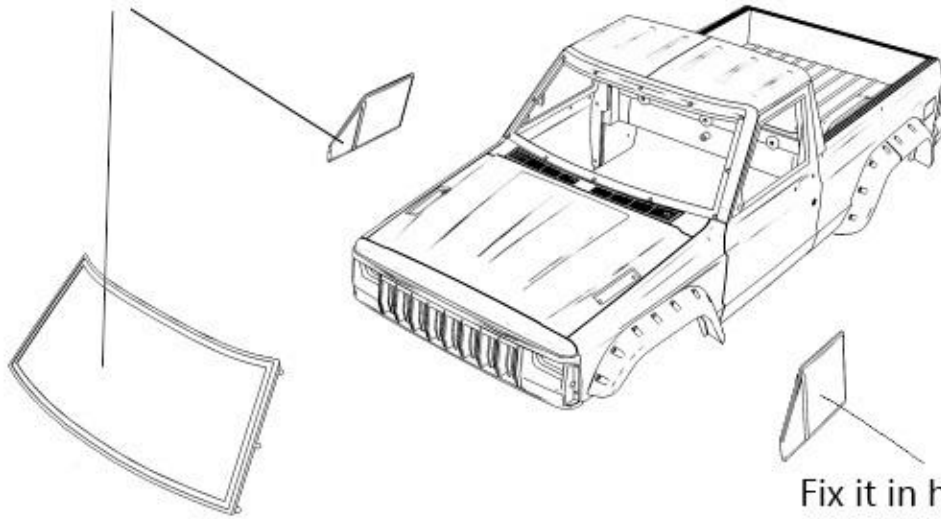
Finished diagram

Component distribution diagram



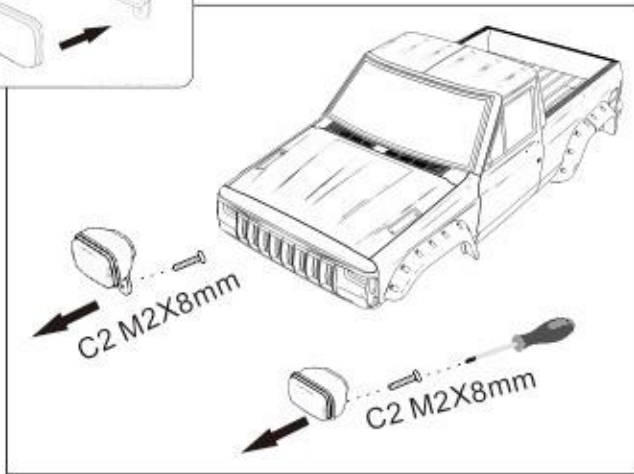
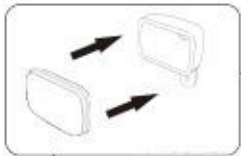


Fix it in hot glue

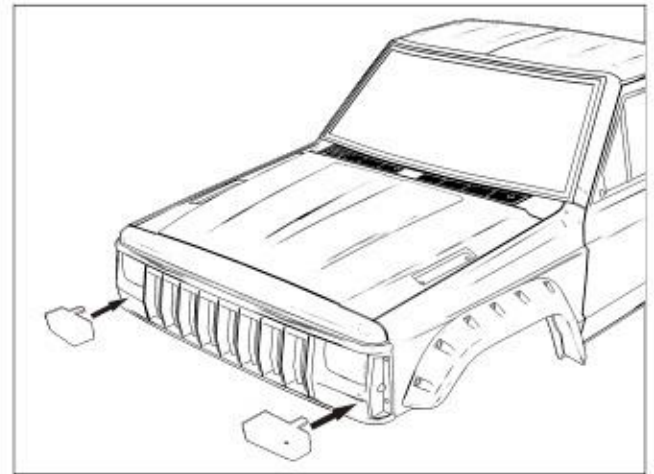


Fix it in hot glue

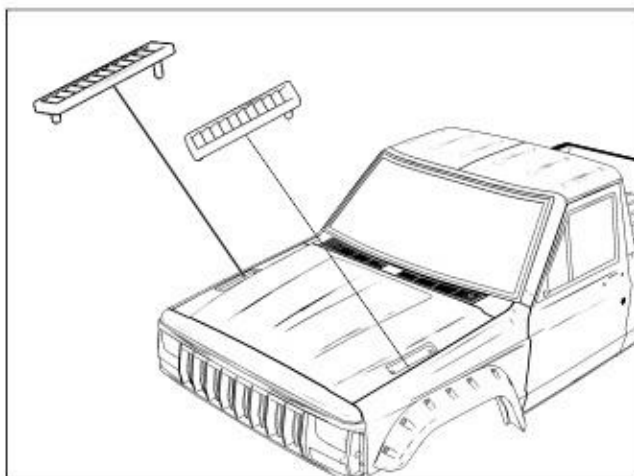
⑤



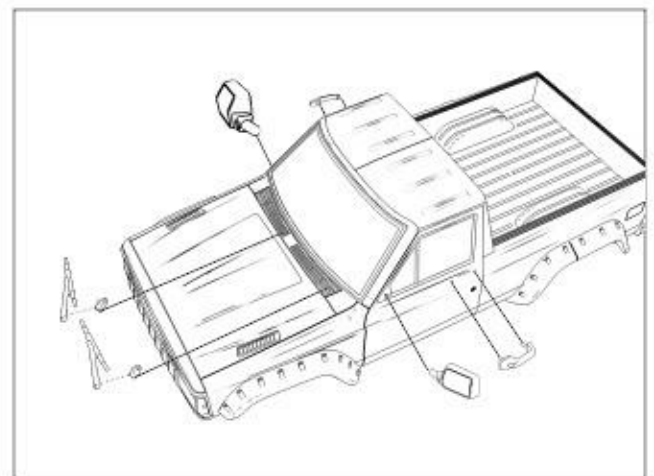
⑥



⑦



⑧



⑨



