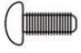

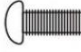
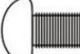
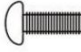




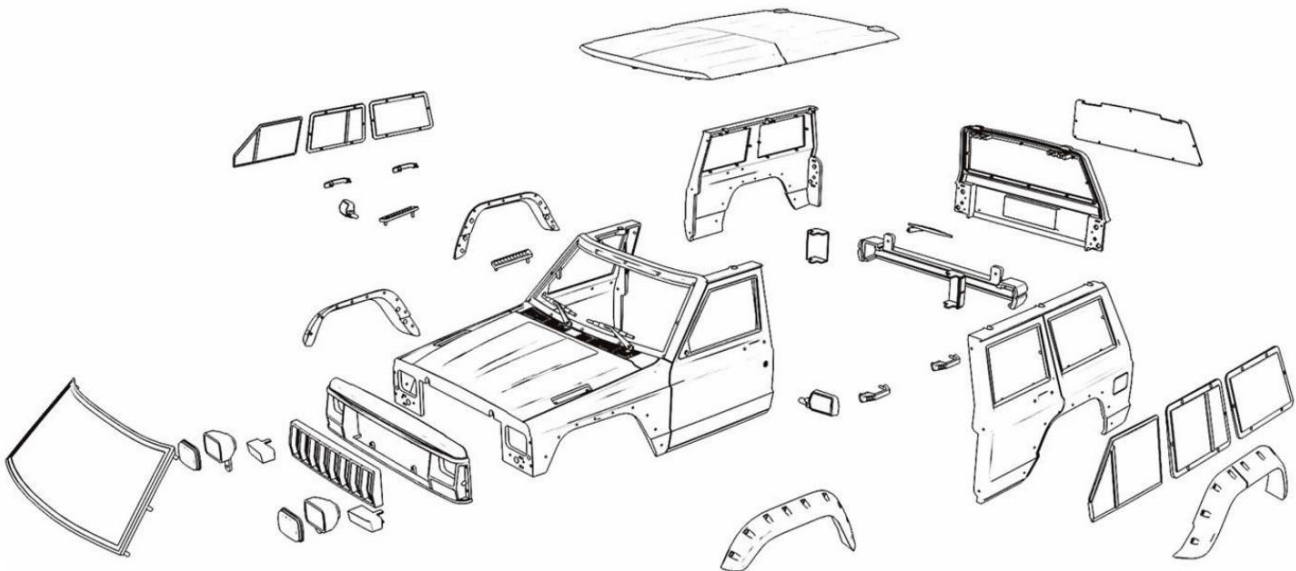
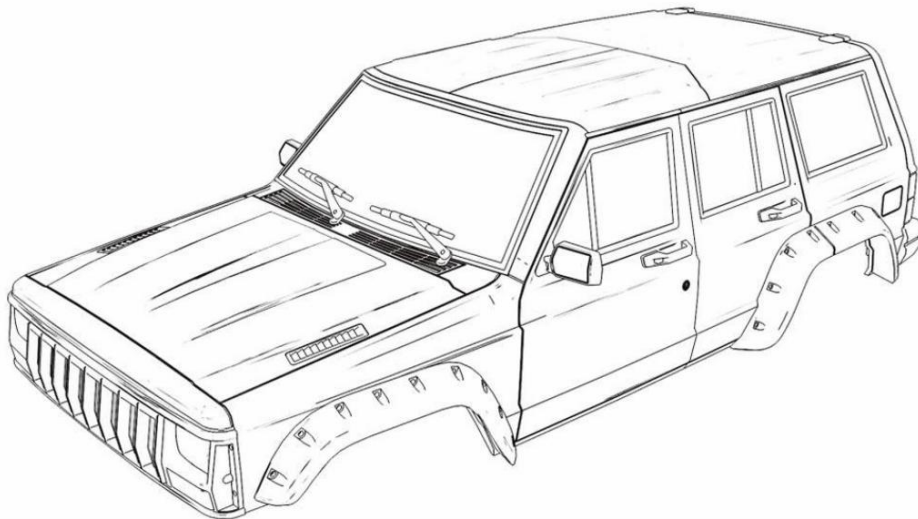


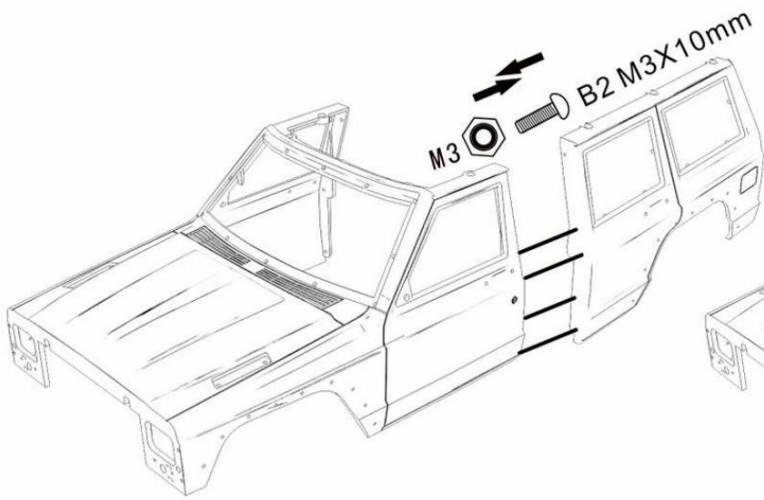
# Car Shell Instruction Manual

## — INJORA

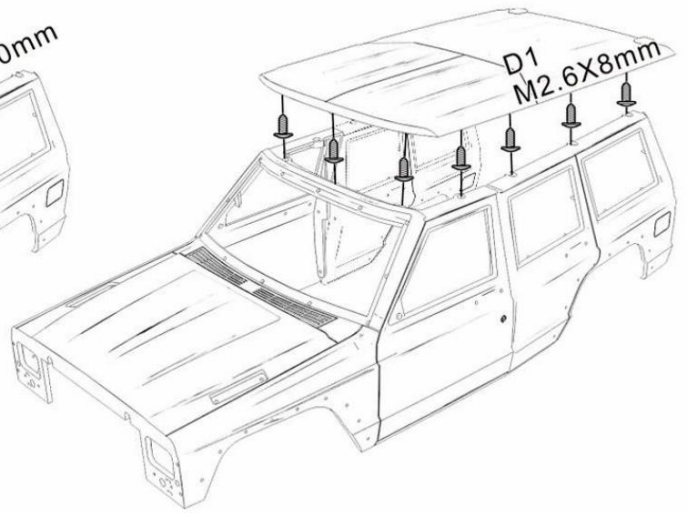
### Screw Specification

A1		36*	M2X6mm Screw	B1		10*	M3X6mm Screw
A2		2*	M2X8mm Screw	B2		8*	M3X10mm Screw
A3		2*	M2X10mm Screw				
		2*	M2 Nuts				
C1		6*	M2X6mm Screw	D1		16*	M2.6X8mm Screw
C2		8*	M2X8mm Screw				

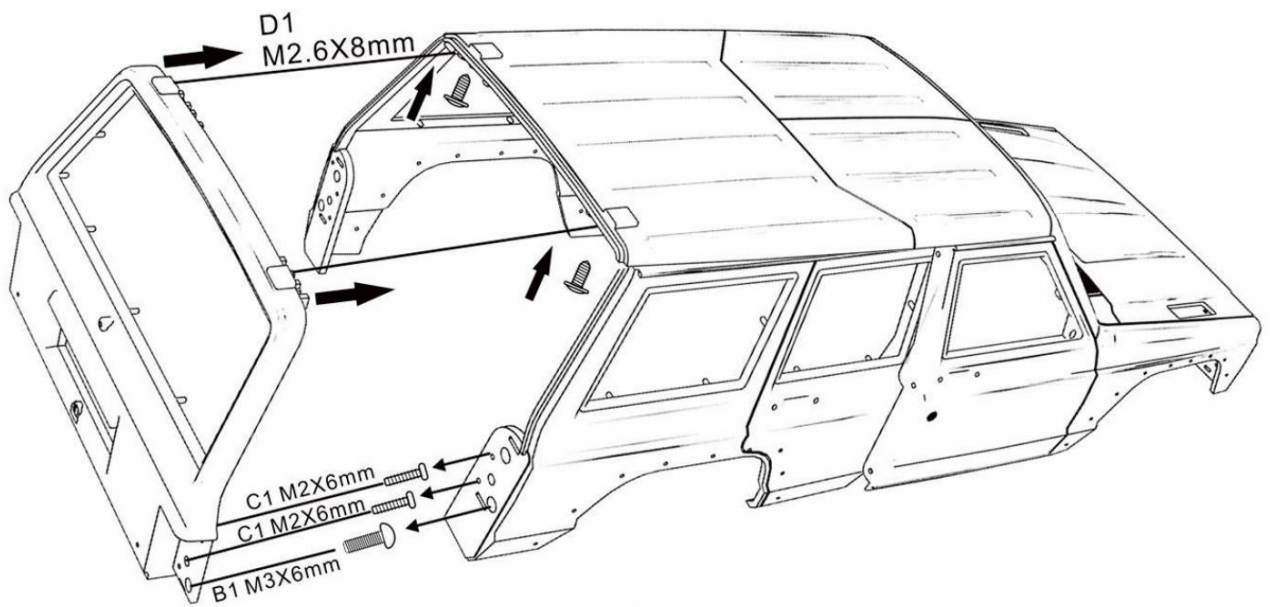




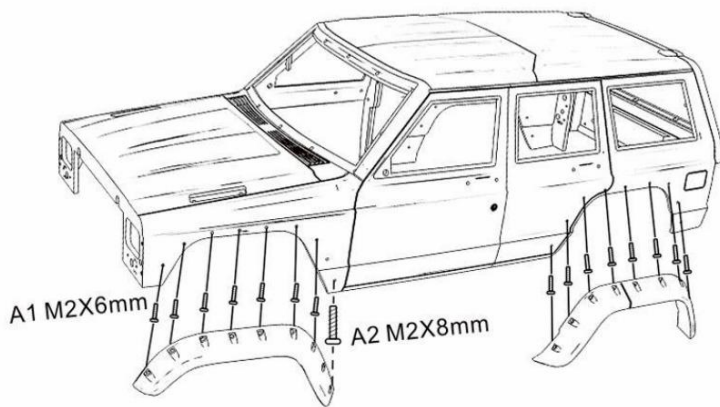
①



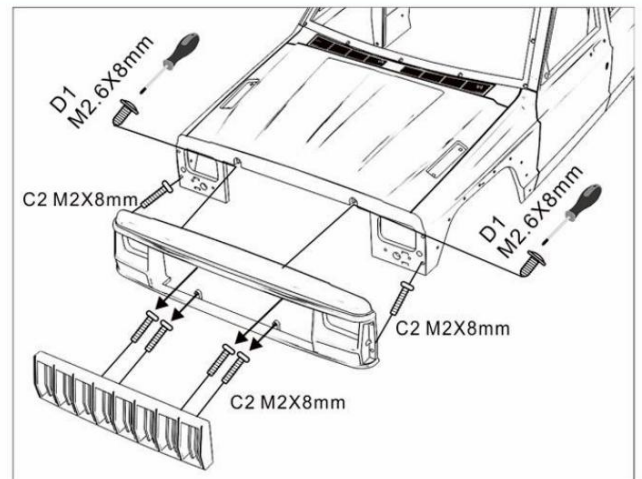
②



③

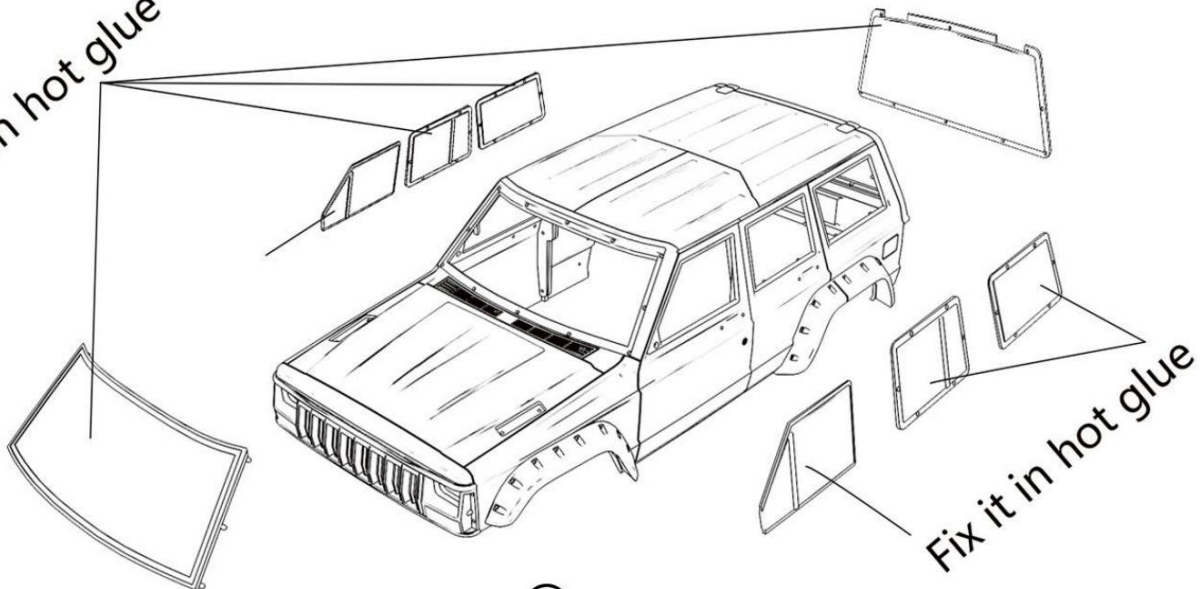


④

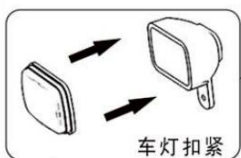


⑤

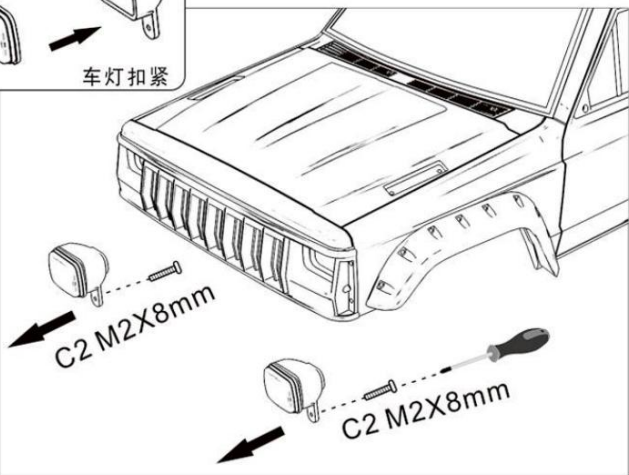
Fix it in hot glue



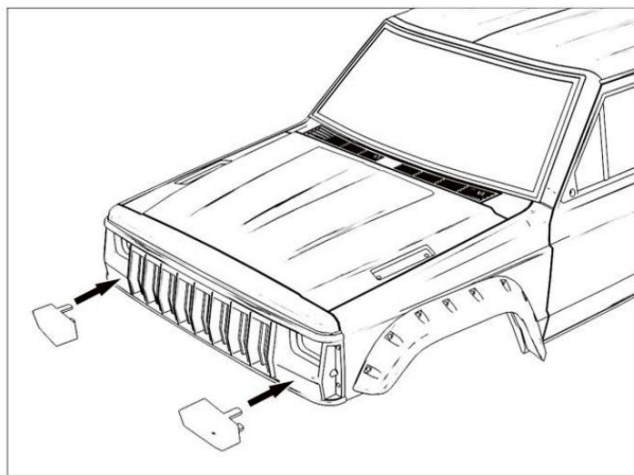
⑥



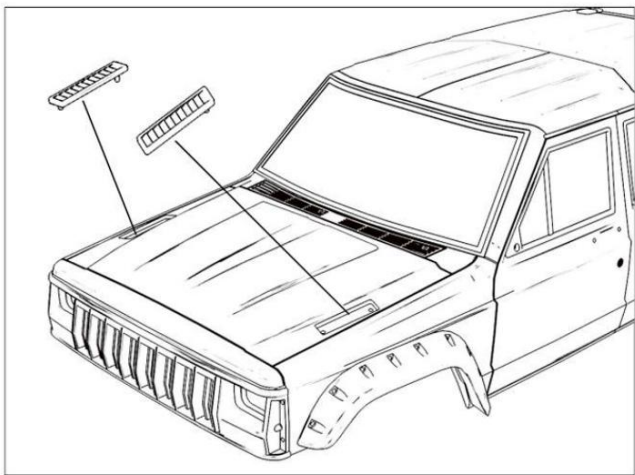
车灯扣紧



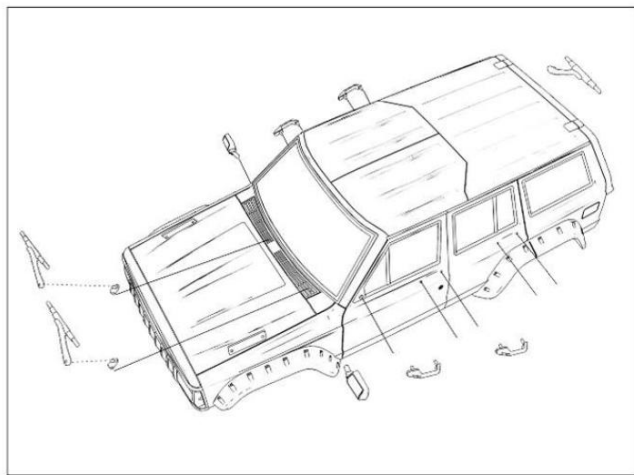
⑦



⑧



⑨



⑩

