



RANGE HOODS

Installation and Operation Manual

Range Hood is for domestic use only

Model: STAC

CROWN RANGE HOODS

ALL FORWARD GROUP CORP.

TEL: (416) 883-2441, Fax: (416) 247-7700

24 Ronson Drive, Unit 2, Toronto, Ontario Canada M9W 1B4

www.rangehood.ca

■ TABLE OF CONTENTS

1.WARNING	-----	P2-3
2.RECOMMENDATIONS AND SUGGESTIONS	-----	P4
3.CHARACTERISTICS	-----	P5
4.INSTALLATION & USE	-----	P6-12
5.MAINTENANCE&CLEAN	-----	P13-14

READ AND SAVE THESE INSTRUCTIONS

Dear Customer,

If you follow the recommendations contained in this Instruction Manual, our appliance will give you constant high performance and will remain efficient for many years to come.

CONTENTS

WARNING

RECOMMENDATIONS AND SUGGESTIONS

CHARACTERISTICS

INSTALLATION & USE

MAINTENANCE&CLEAN

WARNING



TO REDUCE THE RISK OF FIRE, ELECTRIC SHOCK OR INJURE TO PERSONS, PLEASE OBSERVE THE FOLLOWINGS:

- 1 . Installation work and electric wiring(including switch location) must be done by the qualified person(s) in accordance with local applicable codes and standards, including fire-rated construction.
- 2 . This hood may have sharp edges. Be careful to avoid cuts and abrasions during installation and cleaning.
- 3 . The hood must be placed at a minimum distance of 60cm from the cook panel.
- 4 . Sufficient air is needed for proper combustion and exhausting of gases through the chimney of fuel burning equipment to prevent backdrafting. Follow the heating equipment manufacturer's guideline and safety standards such as those published by the National Fire Protection Association, and the American Society for Heating, Refrigeration and Air Conditioning Engineer(ASHRAE), and the local code authorities.

- 5 . Ducted fans must always be vented to the outdoors.
- 6 . This appliance is design to be operated by adults. Children were not allowed to temper with the controls or play with this appliance.
- 7 . **WARNING:** To reduce the risk of fire or electric shock,do not use this fan with any solid-state speed control device.
- 8 . When cutting or drilling into wall or ceiling, do not damage electrical wiring and other hidden utilities.

WARNING - TO REDUCE THE RISK OF FIRE,USE ONLY THE METAL DUCTWORK.

WARNING - TO REDUCE THE RISK OF INJURY TO PERSONS IN THE EVENT OF A RANGE TOP FIRE,OBSERVE THE FOLLOWING:

1. SMOTHER FLAMES with a close-fitting lid,cookie sheet,or metal tray, then turn off the burner, BE CAREFUL TO PERVENT BURNS.If the flames do not go out immediately, EVACUATE AND CALL THE FIRE DEPARTMENT.
2. NEVER PICK UP A FLAMING PAN-You may be burned.
3. DO NOT USE WATER,including wet dishcloths or towels- a violent steam explosive will result.
4. Use an extinguisher ONLY if:
 - 1) You know you have a Class ABC extinguisher, and you already know how to operate it;
 - 2) The fire is small and contained in the area where it started;
 - 3) The fire department is being called;
 - 4) You can fight the fire with your back to an exit.

WARNING-TO REDUCE THE RISK OF A RANGE TOP GREASE FIRE:

1. Never leave surface units unattended at high settings. Boilovers cause smoking and greasy spillovers that may ignite. Heat oils slowly on low or medium settings.
2. Always turn hood ON when cooking at high heat or when flambeing food (i.e. Crepes Suzette, Cherries Jubilee, Peppercorn Beef Flambe').
3. Clean ventilating fans frequently. Grease should not be allowed to accumulate on fan or filter.
4. Use proper pan size. Always use cookware appropriate for the size of the surface element.

WARNING- TO REDUCE THE RISK OF FIRE,ELECTRIC SHOCK,OR INJURY TO PERSON, BOSEERVE THE FOLLOWING:

1. Use this unit only in the manner intended by the manufacturer. If you have questions, contact the manufacturer.
2. Before servicing or cleaning unit, switch power off at service panel and lock the service disconnecting means to prevent power from being switch on accidentally. When service disconnecting means can not be locked. Securely fasten a prominent warning device, such as a tag, to the service panel.

RECOMMENDATIONS AND SUGGESTIONS

INSTALLATION

Before the final installation is made check that all parts are in the box. check the finish of the range hood (scratches or dent), check the operation of the range hood. If any issues Do Not install the range hood but bring it back to the store where it was purchased

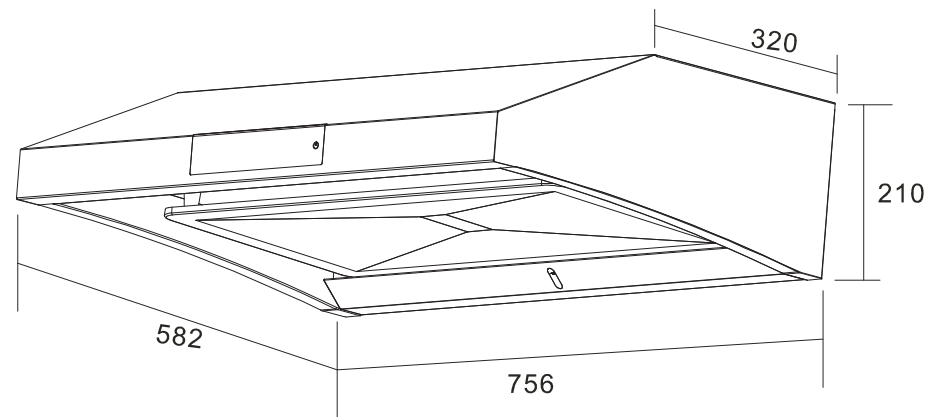
- * The manufacturer will not be held liable for any damages resulting from incorrect or improper installation.
- * Please read this instruction manual before installing and using this cooker hood. Properly keep this instruction manual in a safe place for future reference.
- * This cooker hood can be used in the Ducted Mode only (ducting fumes to the outside only).
- * Only a qualified and trained service technician can undertake the work of installation and servicing.
- * Check that the mains voltage corresponds to the one indicated on the rating plate fixed inside the hood.
- * Check that the domestic power supply guarantees adequate earthing.

- * Do not connect the hood to exhaust ducts carrying combustion fumes (boilers, fireplaces, etc.)
- * If the hood is used in conjunction with non-electrical appliances (e. g. gas burning appliances), a sufficient degree of aeration must be guaranteed in the room in order to prevent the backflow of exhaust gas. The kitchen must have an opening directly with the open air in order to guarantee the entry of clean air.
- * The minimum distance is 30 to 32 inches from the cooker hood to a gas hob, and is 24 to 30 inches to an electric hob. If the installation instructions for gas hobs specify a greater distance, this must be taken into account.

NOTICE: Considering excessive weight, two or more people are required to install or move this appliance. Failure to do so can cause physical injuries.

CHARACTERISTICS

Dimension



INSTALLATION&USE

NOTE: on the stainless hoods, carefully remove the plastic protective film from exterior of the surfaces of the hood prior to final installation.

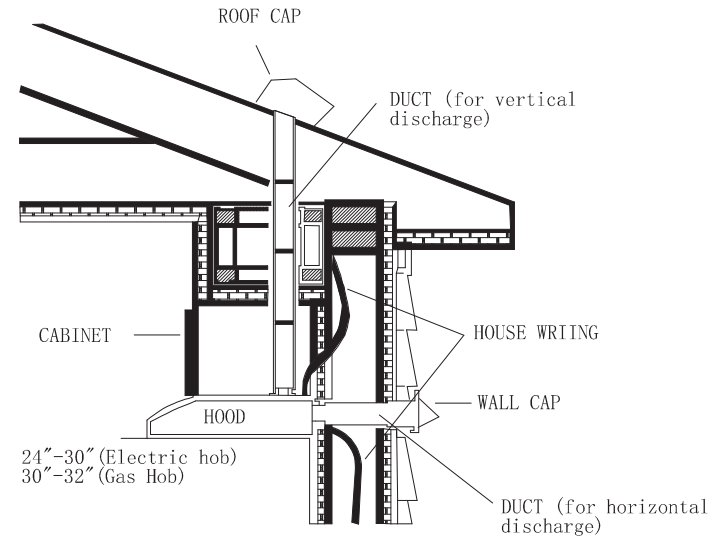
Caution:To Rudeuce Risk of Fire And Electric Shock, Install This rangehood only with integral Blowers by qualified person or agency.

WARNING- TO REDUCE THE RISK OF FIRE, ELECTRIC SHOCK,OR INJURY TO PERSONS, OBSERVE THE FOLLOWING:

- a) Installation work and electrical wiring must be done by qualified person(s) in according with all applicable codes and standards, including fire-rated construction.
- b) Sufficient air is needed for proper combustion and exhausting of gases through the flue (chimney) of fuel burning equipment to prevent back drafting .Follow the heating equipment manufacturer's guideline and safety standards such as those published by the National Fire Protection Association (NFPA),and the local code authorities.
- c) When cutting or drilling into the wall or ceiling, do not damage electrical wiring and other hidden utilities.
- d) Ducted fans must always be vented to the outdoor.

DESCRITION/CONNECTION

This appliance must install in ducting version

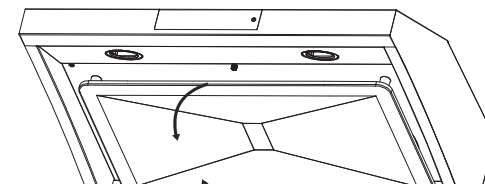


- 1 . The hoods feature 1(6" top round) or 3(6" top round, 3 1/4" ×10" rear and top rectangular)openings. Run ductwork between the hood location and the roof cap or wall cap. For best results, use a minimum number of transitions and elbows.
- 2 . Use proper diagram below, for replacement of ductwork and electrical cutout in cabinet or wall.

Warning: to avoid the risk of fire, use only the metal ductwork .

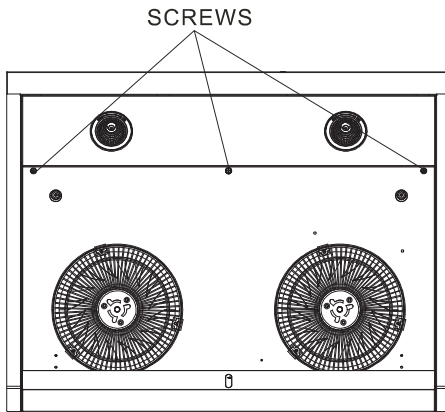
INSTALLATION

- 1 . Remove the oil cup first then push the decorative panel down, Take the decorative panel away from the hood.



CAUTION: Be careful to hurt the fingers when taking away from the decorative panel. Recommend to wear glove when doing this process.

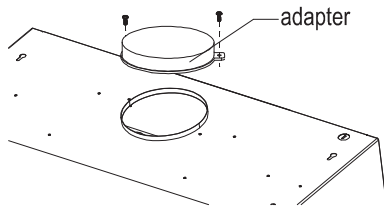
- Remove the **bottom cover** fixed in place with 3 screws.



3. DUCTED INSTALLATION

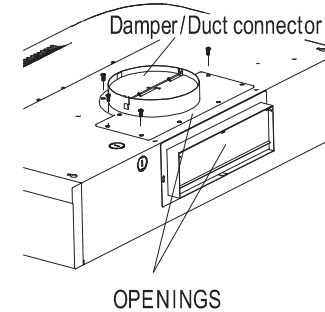
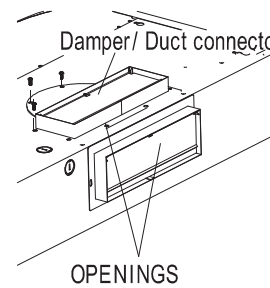
ONE 6" TOP OPENING ADAPTER INSTALLATION

Attach 6" Damper/Duct connector over the top openings



THREE OPENINGS ADAPTERS INSTALLTION

Attach 3 1/4"×10" Damper/Duct connector(if using 3 1/4"×10" duct) or 6" Damper/Duct connector(if using 6" round duct) over the openings

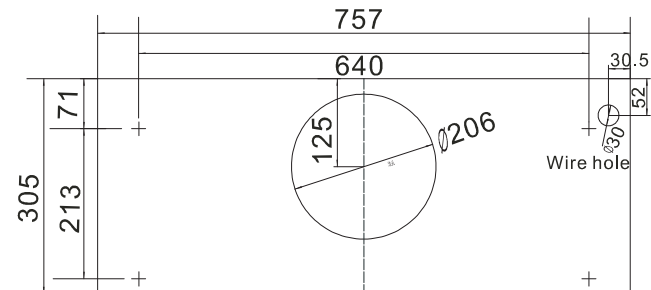


Remarks :

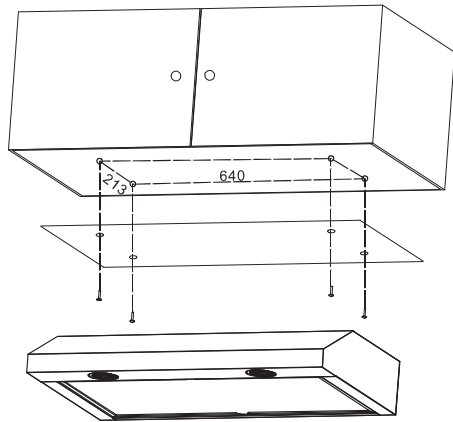
The cooker hoods with Auto-clean has no top and rear dampers, and the cooker hoods without Auto-clean have three openings from top and rear for options.

NOTE: The 6" round duct must be squeezed into an oval shape Damper/Duct connector to connect to the openings on the hood.

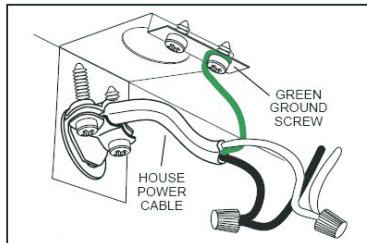
- Hold the installation plate in position under the cabinet. make sure the damper/duct connector enters ductwork and that the damper opens and closes freely.
- Mark the installation hole under cabinet then insert all 4 mounting screws to the cabinet. Do not secure the screws completely in order to hook the range hood.



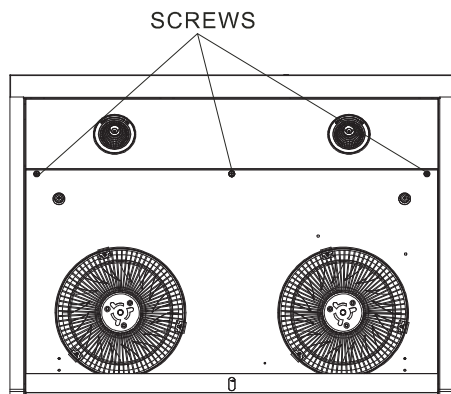
- 6 . Hook the hood under cabinet and push the range hood inward up to in position.
Then completely secure the screws.



- 7 . Connect the house power cable to the range hood wiring: BLACK to BLACK, WHITE to WHITE and GREEN or BEAR WIRE to GREEN GROUD SCREW.



- 8 . Reinstall the **Bottom Cover** to the hood.



- 9 . Install the decorative panel and oil cup and turn on the power at service panel and test for proper operation.

Operation

TOUCH CONTROL

The hood is operated using 6 speeds touch control switch on the front panel.

The blower switch turns the blower on to six speed settings:

1 –ON/OFF

2 – LAMP

3 - DOWN

4 – UP

5– STREAM AUTO-CLEAN



How to set the fan speed

Press button to activate the fan, then press button and to set the fan speed, press button to turn off the fan and automatically memory the previous setting at next time operation. This range hood can be switched to six speed setting

How to set the light intensity level



This range hood has two level of light intensity, press button to set to low light intensity, press button again to set to high light intensity, Press again to turn off the light.

How to set the clock

When the hood is at the standby status, press button for 3 seconds, the time indicator in the display keep flashing, press button and to adjust clock setting, The machine will automatically confirm if without any operation in 5 seconds.




How to set timer delay

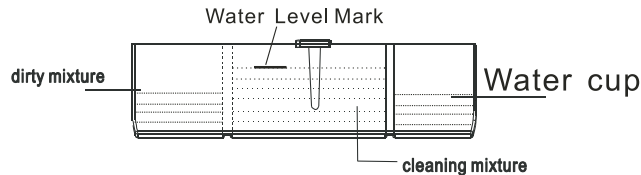
When the fan is working, press button for 3 seconds, light the timer delay indicator

in the display and time indicator keep flashing, Press button  and  to set the delay time range from 1min to 15mins. The machine will automatically confirm the setting if without any operation in 3 seconds.

Stream Auto-clean

This appliance features stream auto-clean function, for better clean the parts of inside, we recommend use self-clean function at every two months of operation, or more frequently for heavy use. Water cup must be used in process of auto-clean

1. Full cleaning mixture (water + neutral detergent) up to the water level mark and install it to the hood.
2. Press and hold the button  for 1 seconds to start the stream auto-clean, This process last 3 minutes. Press button  or  can stop stream auto-clean in the process

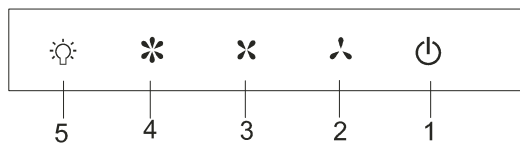


MECHANICAL SWITCH

The hood is operated using 3 speeds push button switch on the front panel.

The blower switch turns the blower on to six speed settings:

- 1 –ON/OFF
- 2 – Low speed
- 3 – Medium speed
- 4 – High speed
- 5- Lamp



CAUTION- The unit is for General Ventilating Use Only. Do Not Use To Exhaust Hazardous Or Explosive Materials And Vapors

GROUNDING INSTRUCTIONS

This appliance must be grounded. In the event of an electrical short circuit, grounding is equipped with a cord having a grounding wire with a grounding plug. The plug must be plugged into an outlet that is properly installed and grounded.

WARNING- Improper grounding can result in a risk of electric shock.

Consult a qualified electrician if the grounding instructions are not completely understood, or if doubt exists as to whether the appliance is properly grounded.

Do not use an extension cord. If the power supply cord is too short, have a qualified electrician install an outlet near the appliance.

MAINTENANCE&CLEAN

Caution: Unplug or disconnect the appliance from the power supply before servicing.

GREASE FILTER

* The grease filters should be cleaned frequently (every two months of operation, or more frequently for heavy use). Use a warm detergent solution.

* Grease filters are washable.

Remove the grease filters from the hood. Wash the filters, taking care not to bend them. Allow them to be dry before refitting.

When refitting the filters, make sure that the handle is visible from the outside.

reinstall the grease filters to the hood.

HOOD CLEANING

Stainless steel is one of the easiest materials to keep clean. Occasional care will help preserve its fine appearance.

Cleaning tips:

* Hot water with soap or detergent is all that is usually needed.

* Follow all cleaning by rinsing with clear water. Wipe dry with a clean, soft cloth to avoid water marks.

* For discolorations or deposits that persist, use a non-scratching household cleanser or stainless steel polishing powder with a little water and a soft cloth.

* For stubborn cases use a plastic scouring pad or soft bristle brush together with cleanser and water. Rub lightly in direction of polishing lines or “ grain” of the stainless finish. Avoid using too much pressure that may mar the surface.

* Do not allow deposits to remain for long periods of time.

* Do not use ordinary steel wool or steel brushes. Small bits of steel may adhere to the surface causing rust.

* Do not allow salt solutions, disinfectants, bleaches, or cleaning compounds to remain in contact with stainless steel for extended periods. Many of these compounds contain chemicals that may be harmful. Rinse with water after exposure and wipe dry with a clean cloth.

* Painted surfaces should be cleaned with warm water and mild detergent only.