

NOVEL

RANGE HOODS

Installation and Operation Manual

Range Hood is for domestic use only

Model: PRO-NUT01

NOVEL RANGE HOODS

ALL FORWARD GROUP CORP.

TEL: (416) 883-2441, Fax: (416) 247-7700

24 Ronson Drive, Unit 2, Toronto, Ontario Canada M9W 1B4

www.rangehood.ca

■ TABLE OF CONTENTS

* Warnings.....	P1
1. Features.....	P3
2. Main parts.....	P4
3. Cleaning.....	P4
4. Cleaning Maintenance.....	P5
5. Installation Maintenance.....	P6
6. Dismantling, Cleaning and Reassembly.....	P9
7. Specification.....	P11
8. Body size and Duct opening.....	P11
9. Operating Instruction.....	P12
10. Replacement of LED light.....	P13
11. Trouble Shooting.....	P14

PLEASE READ AND FOLLOW THESE INSTRUCTIONS CAREFULLY

WARNING

1. Neither the importer nor the manufacturer is liable for any damage or injury caused directly or indirectly by improper installation, misuse or mis-hanging of the range hood.
2. The range hood is for general residential kitchen ventilation use only. Do not use the expel hazardous or explosive materials or vapors.
3. Disconnect all sources of electric power before installing, repairing, replacing or maintaining this appliance. Turn off the switch on the control panel, use a voltmeter in order to confirm that the power source has been shut off, and prevent power from being switched on accidentally.
4. Use a properly grounded power source.
5. Fire without pans or pots etc on cooking surface is prohibited.
6. Only an authorized person or a qualified electrician may replace a damaged power cord.
7. Risk of fire if cleaning is not carried out in accordance with the instructions.
8. To prevent the risk of fire, never clean the range hood with flammable or volatile solvent, such as alcohol, banana oil, gasoline etc.
9. When cleaning, wear rubber gloves to prevent injury from metal parts. When cleaning, disconnected parts should be treated gently to prevent bending.
10. While cleaning the hood, never put the motors or electrical parts in contact with water or any other liquid.
11. Do not bend the parts or remove the bob-weight, as this may cause vibration and loud noise.
12. Disconnect the electric power if you do not use the range hood for a long time.

WARNING

13. Never leave any pot unattended at high heat setting on the stove. Boil-over may cause smoking and greasy spillovers may ignite fire.
14. Heat oils slowly, on low or medium heat settings.
15. Do not let children, elderly or handicapped persons use this appliance without supervision.
16. Use this unit only in the manner intended by the manufacturer. If you have questions, contact the after sales service.
17. Always have the range hood turned on when cooking, especially when cooking at high heat or then cooking foods on flame.
18. Clean the ventilation fans frequently. Grease should not be allowed to accumulated on the fans.
19. Use the proper pan size. Always use cookware appropriate for the size of the surface element.

1. Features

NOVEL range hoods are highly efficient and high-quality engineered - a new concept in the design of range hoods. They help keep your kitchen clean and fresh with powerful and quiet air exhaust. The fan blades are coated with Teflon that allows for the external removable stainless steel tray. NOVEL range hoods PRO-NUT01 comes with stainless baffle filters, which helps you to eliminate weary and bother some cleaning, The stainless filters are dishwasher safe.

The three levels of exhaust power allow user to suit different cooking styles, improve the efficiency of energy use, and can reduce the noise.

- **Ultra quiet motor**
- **Touch control, 3 levels to choose from**
- **Black coated fan**
- **Stainless steel baffle filters**
- **Stainless steel grease collection tray.**

2. Main parts

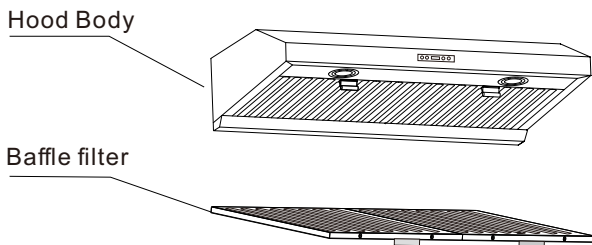


Fig 1

3. Cleaning

One does not need to dismantle the range hood. Directly spray degreaser into the dual vane guards and vanes, let stand 3-4 minutes, and then turn on. The centrifugal force of the turbo fans will drain the grease into the oil container. To clean, simply empty the oil container.

4. Cleaning maintenance

Always disconnect the power before cleaning.

1. Always use a neutral detergent to clean the surface of the hood after each use.
2. Clean both the exterior and the interior of the hood regularly, so as to keep the hood in better condition. Do not use an abrasive cleaner.
3. The fan's baffle filters can be detached for cleaning. It must be reinstalled after cleaning.
4. The grease collection pan in the centre of the hood can be detached and cleaned regularly.
5. Make a habit of turning on the hood fan before the stove, in order to avoid high heat in the kitchen.
6. Clean the oil container to avoid spill over.

5. Installation instructions

WARNING:

Any form of installation or maintenance must be done by a qualified technician in accordance with all the instructions specified in this manual. Installation hood with help of 2 persons.

Environment:

1. The range hood must always be vented to out doors.
2. For efficient air extraction, avoid opening too many windows around the range hood, for it will cause air convection, which prevents cooking fumes from going up to the range hood efficiently. When cutting or drilling into a wall or ceiling, do not damage electrical wiring and other hidden utilities.

Installation Height

3. The distance between the stove surface and the underside of the range hood must be in the range of 26"-30" Fig(2-A).

The dimensions of the NOVEL range hood are 29.69"x19.68"x7". The duct opening size is in Fig (3).

Vent duct length

4. The length of the vent duct should be minimized to avoid air turbulence inside the duct. (Fig (2-B)).

Balance level:

5. The range hood must be in level during the installation. A not level installation hood may cause improper operation, leaks and oil spill over from oil collectors. Fig(2-C)

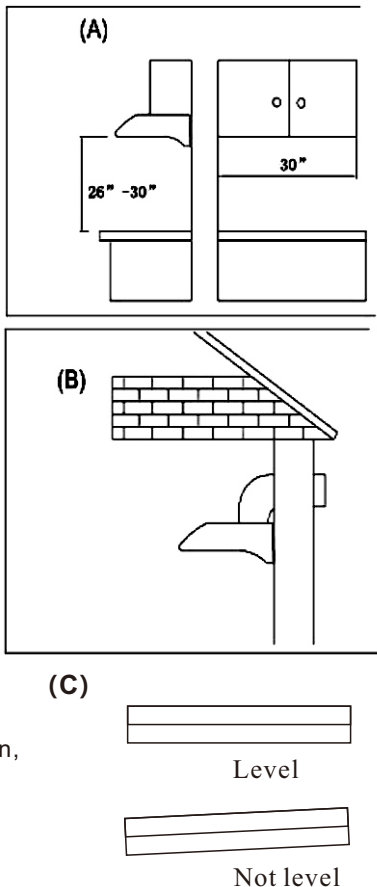


Fig 2

5. Installation instructions

1. Turn off the electricity on the circuit panel, use a voltmeter in order to confirm that the power source has been shut off, so as to prevent electrocution.
2. If you have to move the range to install the hood, turn off the power for the electric range, or shut off the gas to a gas stove.
3. Confirm that the distance (clearance) between the range surface and bottom of the range hood is 26"-30". (need 30" if use GAS stove.)
4. Please see Fig(3) to find detailed information about the shape, position and size of the range hood and the exhaust hole that you need to open.
5. Confirm whether the range hood can be attached firmly to the cabinet; otherwise install wooden straps on either side of the bottom of the cabinet for mounting the range hood.

Electrical power provision:

1. The range hood comes with two locations for the wiring to pass through. Choose the location that is best suited for your wiring situation.
2. Confirm that the wiring does not affect the level nor the stability of the range hood.

5. Installation instructions

Preparing the range hood:

1. Open the electrical knockout which is best for your wiring.
2. Fix the shutter to the range hood's vent; prevent the leakage of oil by taping the connection with aluminum metal adhesive tape, or duct tape.
3. Attach the rubber support to the back of the range hood.
4. Unscrew and remove the range hood's bottom cover.

5. Installation instructions

Installation:

1. Pass the wiring through the electrical knockout hole in the range hood.
2. Put the range hood onto the bottom of the cabinet. Make sure the rear side is close to the wall, and the hood is equally spaced on each side and that the top of the range hood is attached to the cabinet. On each side of the range hood, use 2pcs screws to fix the body to the cabinet.
3. Connect the green wire from power source to the green ground wire on the range hood. Make the electrical connection by fastening the white wire line to white and the black wire to black.

4. Reinstall the range hood's bottom cover and stainless steel baffle filters.
5. Reinstall the oil container.
6. Turn on the power and check the operation of the fans and light.

6. Dismantling, Cleaning and Re-assembly

NOTE

1. Whenever dismantling, re-installing or maintaining the range hood, always make sure that the power is off.
2. When dismantling, re-installing or cleaning the hood, always wear latex or rubber gloves for safety.
3. Never spill or spray water or any other liquid on or inside the motors.
4. If any or power cord is damaged, please contact the after sales service, distributors or qualified technicians for repair. DO NOT attempt to repair the range hood by yourself.
5. Before dismantling, cleaning and re-installing the hood, please make sure that you know the name, quantity and location of any dismantled parts, so as to avoid loss and mis-installation.

Dismantling

1. First, take off the oil container and the stainless baffle filters
2. Unscrew then remove the bottom cover of the hood.
3. Turn counter-clockwise to loosen the three screws in the front right and left sides of the black base plate (oil pan), in order to remove the base plate (oil pan).
4. Remove the rubber seal.
5. Turn clockwise to remove the vane cap.
6. Pull off the vane cap.

Cleaning

Put all the dismantled parts in water with neutral detergent to 30 minutes, and then wash with a nylon brush. Make sure that all parts are dry before reinstallation.

Note:

Dismantled parts are: oil container, base plate, vane and van cap, and stainless steel baffle filters.

Re-Assembly

1. Re-assemble the vane (fan), and turn vane cap counter clockwise to fasten, The vane must be locked onto the motor's pin.
2. Put on the rubber seal and screw the base plate to the body.
3. Reinstall the bottom panel, grease container, and stainless baffle filters.

Specifications

Model No	PRO-NUT01
Voltage	110V-120V/60Hz
Rotating method	Twin motors
Outlet diameter	Round Vent: 6"
Illumination	Led light 2x2W
Power Consumption	75Wx2
Filter	Steel baffle filter
Suction power	800CFM
Control	3 speed touch control
Body size	29.75"x20.5"x7"

8. Body size and Duct opening

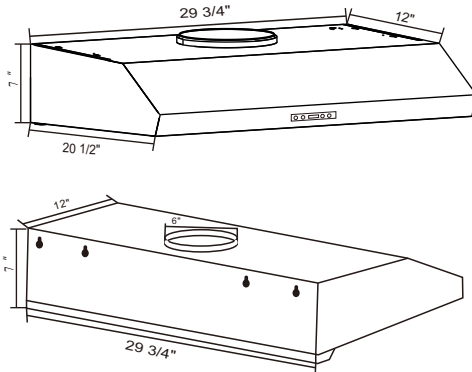


Fig (3) Body size and Duct opening

9. Operating Instruction

1. Touch control

Fig(4) Control Panel



- A. Time
- B. Speed
- C. Light
- D. On/Off

- A. Time setting: touch and hold this button 3 seconds to set time, B for hour and C for minute.
- B. Touch once to get high speed, touch again for middle speed and low speed.
- C. Touch to turn on or turn off the light.
- D. Touch to select on.
Touch once for 1 minute delay turning off, touch again to turn off immediately.

Timer Setting:

In working mode, touch D once for one minute delay turn off, touch A for max 59 minutes delay turn off.

10. Replacement of light

Caution:

1. Make sure all control switches are off and the range hood unplugged.
2. Use a flat head screwdriver to pop out LED light assembly.
3. Disconnect the lamp internal wires.
4. Take out the old LED light.
5. Replace with a new LED light assembly.
6. Reconnect the internal wires, then push the light assembly back into the lamp hole.
7. Re-plug the range hood and turn on the light switch to check all connections.

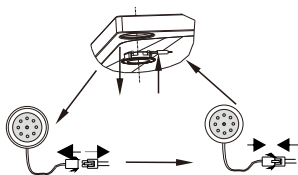


Fig 5

11. Trouble shooting

CAUTION: Disconnect the power supply before servicing.

Status	Cause and Method of Repairing	Tools required
No power	Check circuit breakers If the power supply is damaged, please call for a qualified person	Philips Screwdriver
The motor does not run	a).The motor is broken, replace motor. b). The switch control is broken, replace switch. c). The capacitor is broken, replace capacitor.	Philips Screwdriver
Body vibration	a).The installation is not correct, check it and make sure the hood is level. b). The fan is broken, replace motor assembly. c). The fan motor was not properly installed, check and make sure it is firmly installed.	Philips Screwdriver
Noise vibration	Something dropped into the blower, check and clean blower.	Philips Screwdriver
Weak suction	a). The distance from the range hood to cooking surface is too far, make sure the distance between bottom of the hood to cooking surface is minimum 24" to maximum 27". b). Windows, doors and drafts can effect the performance of the range hood. c). There are other air conditions effecting the vent pipe, make sure lower vent pipe's exit is in a downward direction. d). The running rate of the motor slows down, replace the motor or capacitor. If the range hood is near the window, the best solution is to protect the back of the range hood from draft caused by a window or door.	Philips Screwdriver
Light does not work	Replace LED lamp.	Philips Screwdriver

READ AND SAVE THESE INSTRUCTIONS