



Product: 36 Inch Professional French Door Refrigerator in Stainless Steel, Counter Depth

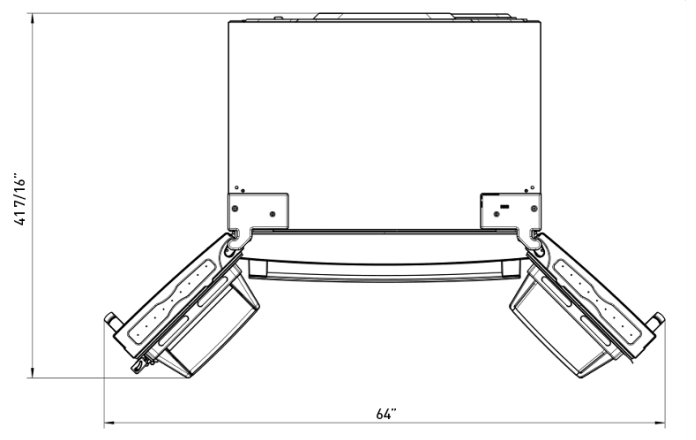
Model Number: HRF3601F

TECHNICAL DETAILS

Appliance Type	Refrigerator
Color/Finish	Stainless Steel
Refrigerator Capacity	14.7 cu. ft.
Product Weight (lb.)	293.2 lb
Number of Doors	4 Door
Number of Shelves	8
Freezer Baskets/Bins	0
Freezer Capacity	5.69

FEATURES & BENEFITS

- + **Storage Space** - Generous 20.7 cu. ft of flexible storage space
- + **Showcase LED lighting** - LED lighting positioned throughout the interior for better visibility of food inside the refrigerator
- + **Dual Cooling System** - Dual cooling system maintains proper humidity levels and helps to prevent spoiling and freezer burn
- + **Automatic Ice Maker** - Automatic ice maker for on-demand ice
- + **Door Storage** - Gallon door storage provides extra space for large containers, like milk and juice
- + **Door Alarm** - Refrigerator door alarm notifies you if the door is left ajar for too long
- + **Adjustable Racks and Shelves** - Adjustable racks and retractable shelves are designed to provide a variety of configurations to fit wide and tall items with ease
- + **Freezer Drawers** - Two separate freezer drawers for easy and organized access to the things you need
- + **Stainless Steel Finish** - Beautiful, easy-to-clean stainless steel finishes are fingerprint and smudge resistant



WARRANTY: 2 YEARS ON PARTS AND LABOR



PRODUCT DIMENSIONS	
Depth (Excluding Handles)	28 5/8"
Depth (Less Door)	24 5/8"
Height to Top of Door Hinge (in.)	69 3/4"
Product Depth (in.)	30 3/4"
Product Width (in.)	35 7/8"
Depth (Including Handles)	30 3/4"
Depth With Door Open 90 Degrees (In)	43 1/2"
Height to Top of Refrigerator (in.)	68 5/8"
Product Height (in.)	69 7/8"

ADDITIONAL FEATURES	
Refrigerator Features	Door Alarm; Interior LED Light; Adjustable Racks & Removable Shelves; 4pcs Gallon Bottle Storage; Multi-air flow; Humidity Controlled Crispers; Slide-Out Fresh Food Shelves; Fingerprint Resistant; Child Lock/Energy saving & Auto mode/ fast cooling.
Freezer Features	Automatic Ice Maker; No frost design; Door Alarm /fast freezing / Child lock/Energy saving & Auto mode; Slide-out drawer and Slow closing drawer; Fingerprint Resistant.

