

GS 900 Ceiling Mount Assembly Instructions



GS 900 Ceiling Mount Assembly Instructions

- Dear User,
The ceiling mount should only be installed by a technical expert (electrical engineer, technician) or a comparably qualified person.

GS 900 Ceiling Mount Assembly Instructions

- Ships in 3 boxes:



GS 900 Ceiling Mount Assembly Instructions

- Box 1: Ceiling Mount Swing/Extension Arms



GS 900 Ceiling Mount Assembly Instructions

- Box 1 Contents



Operating Manual



Installation Instructions



Hardware Kit



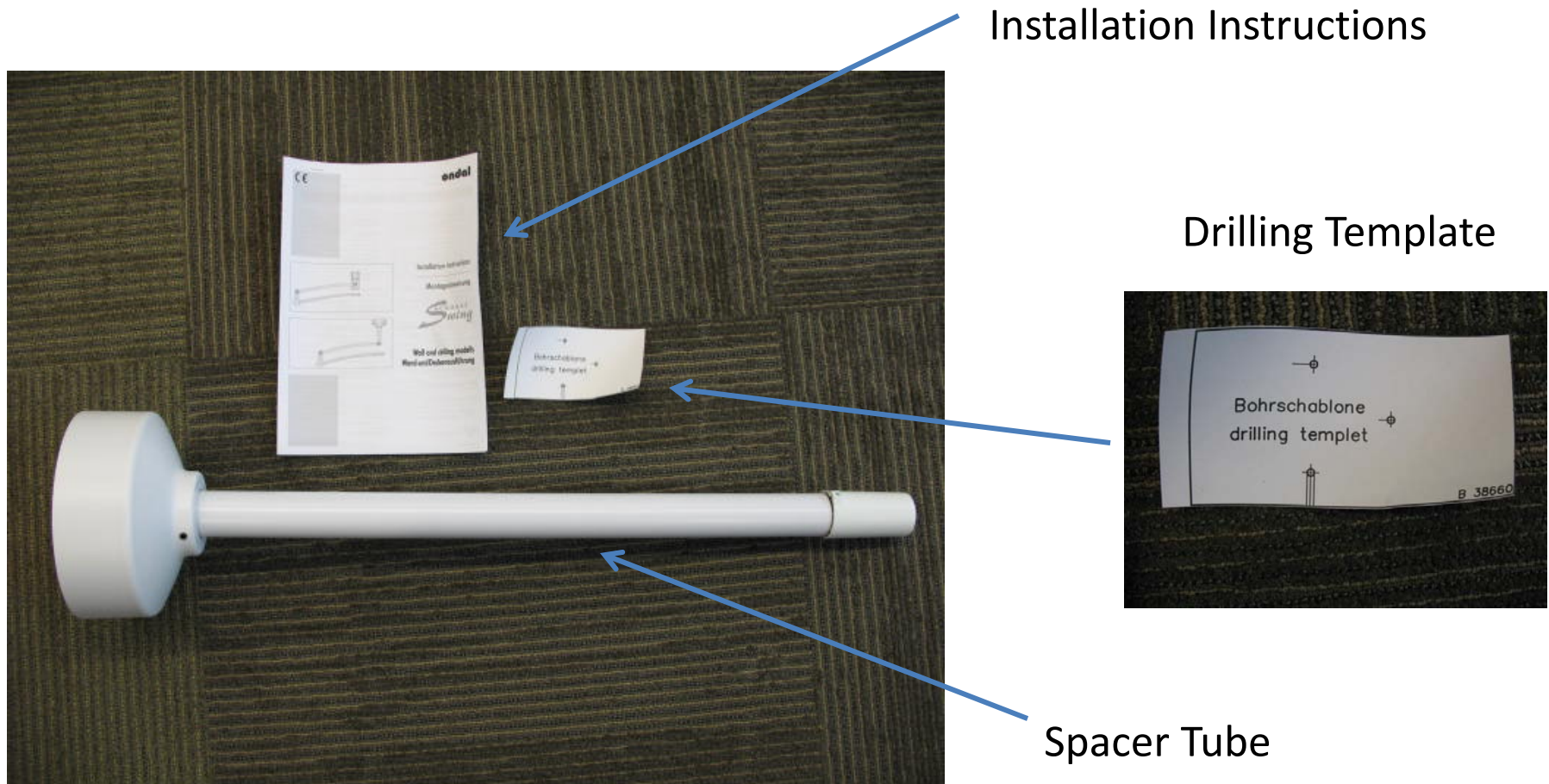
GS 900 Ceiling Mount Assembly Instructions

- Box 2: Spacer Tube Box



GS 900 Ceiling Mount Assembly Instructions

- Contents of Box 2:

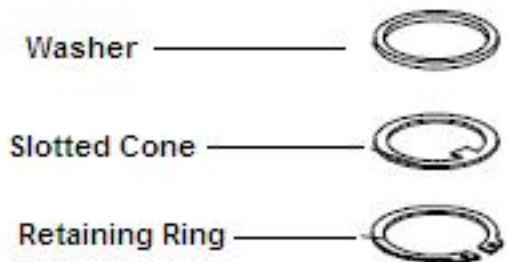
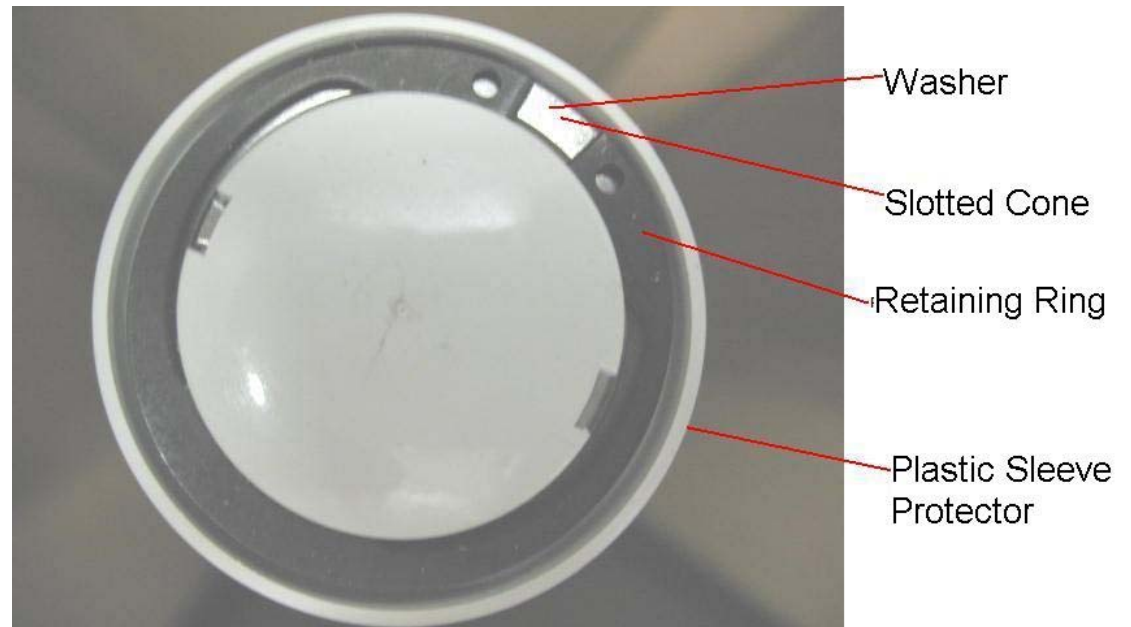


GS 900 Ceiling Mount Assembly Instructions

- **Please note** parts located in the plastic sleeve of the spacer tube as indicated below



View from top



GS 900 Ceiling Mount Assembly Instructions

- Box 3



Luminaire



GS 900 Ceiling Mount Assembly Instructions

Mounting Spacer Tube

Note: Spacer Tube is designed to accommodate ceilings between 8-10ft.

Tubing is shipped to accommodate a 10 ft ceiling and can be shortened to accommodate an 8ft. ceiling. **If at all possible**, secure mounting plate 10 ft off the floor (even if this requires mounting the plate above a false ceiling).

If shortening is required follow instructions on next 4 pages.

GS 900 Ceiling Mount Assembly Instructions

Shortening Spacer Tube

- Remove wires from terminal block on the mounting plate



Remove pin/steel bearing sleeve and wires running inside spacer tube



GS 900 Ceiling Mount Assembly Instructions

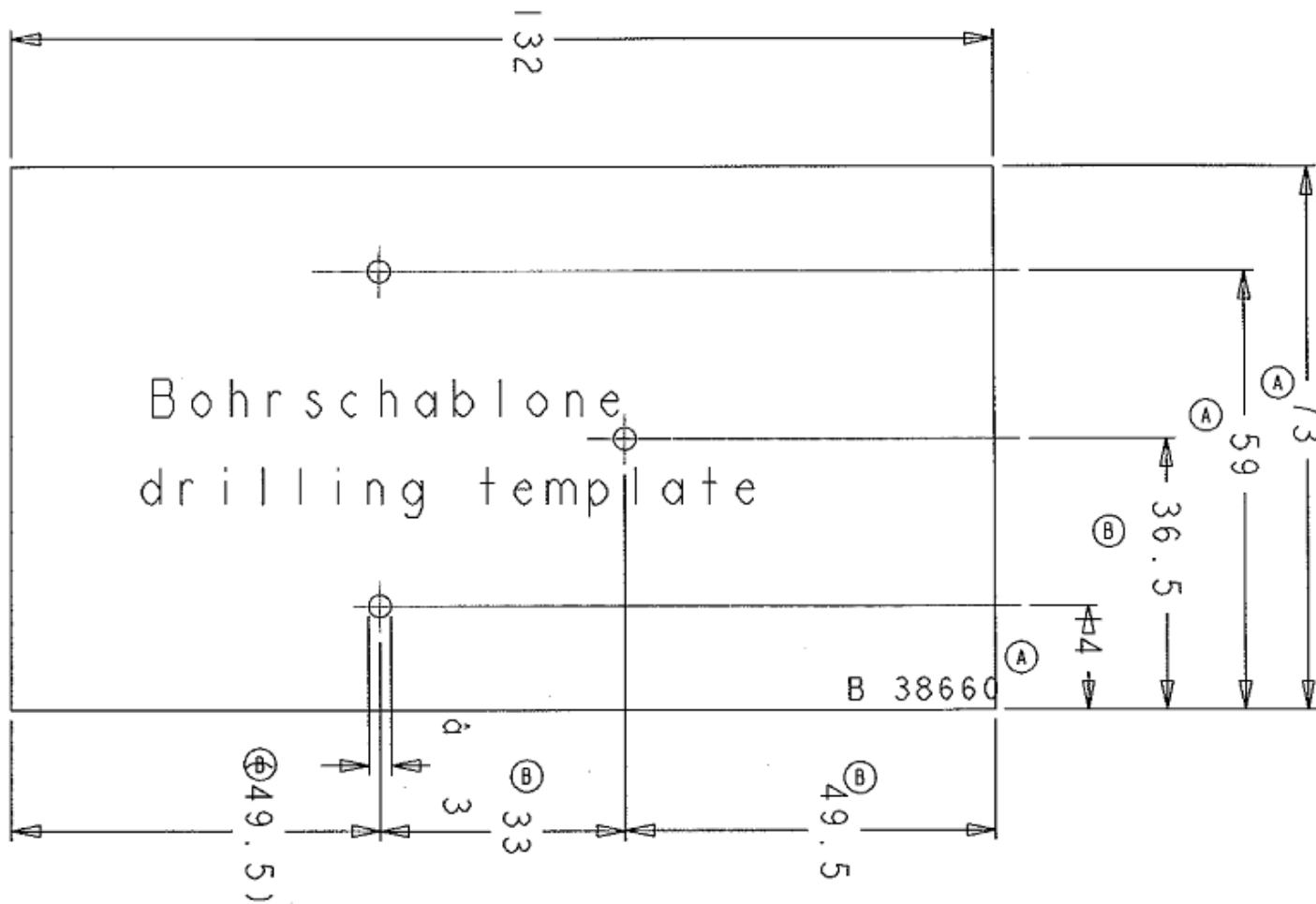
- Trim spacer tube to accommodate actual ceiling height.
- Drill and tap 3 holes (5mm diameter and M6 thread)
 - Use drill template provided with Ondal Installation Instructions (or dimensions on next page)

Place drill template at the edge of the tube



GS 900 Ceiling Mount Assembly Instructions

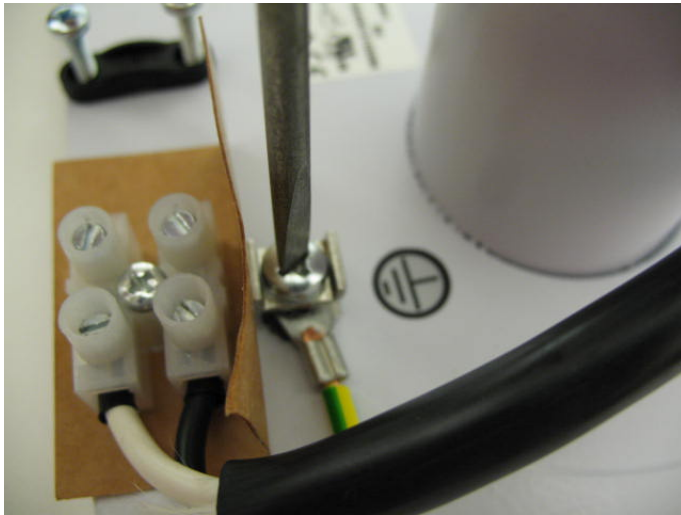
- Drilling Template (dimensions in millimeters)



GS 900 Ceiling Mount Assembly Instructions

- Reinstall wire through tubing and into terminal block

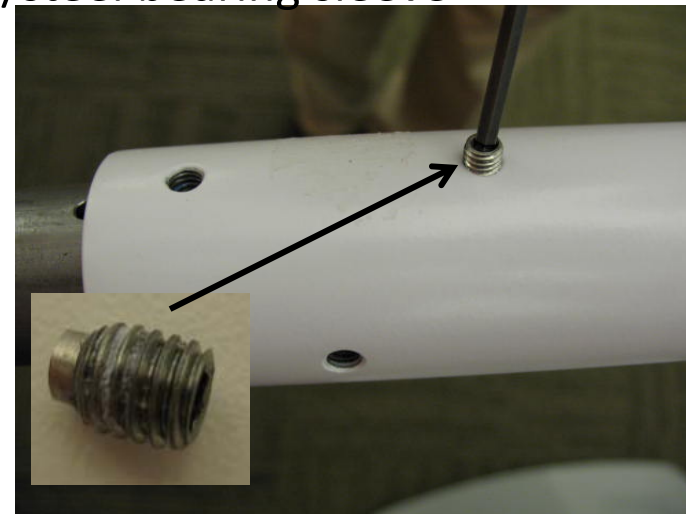
Ground wire to mounting plate



Insert other two set screws and tighten



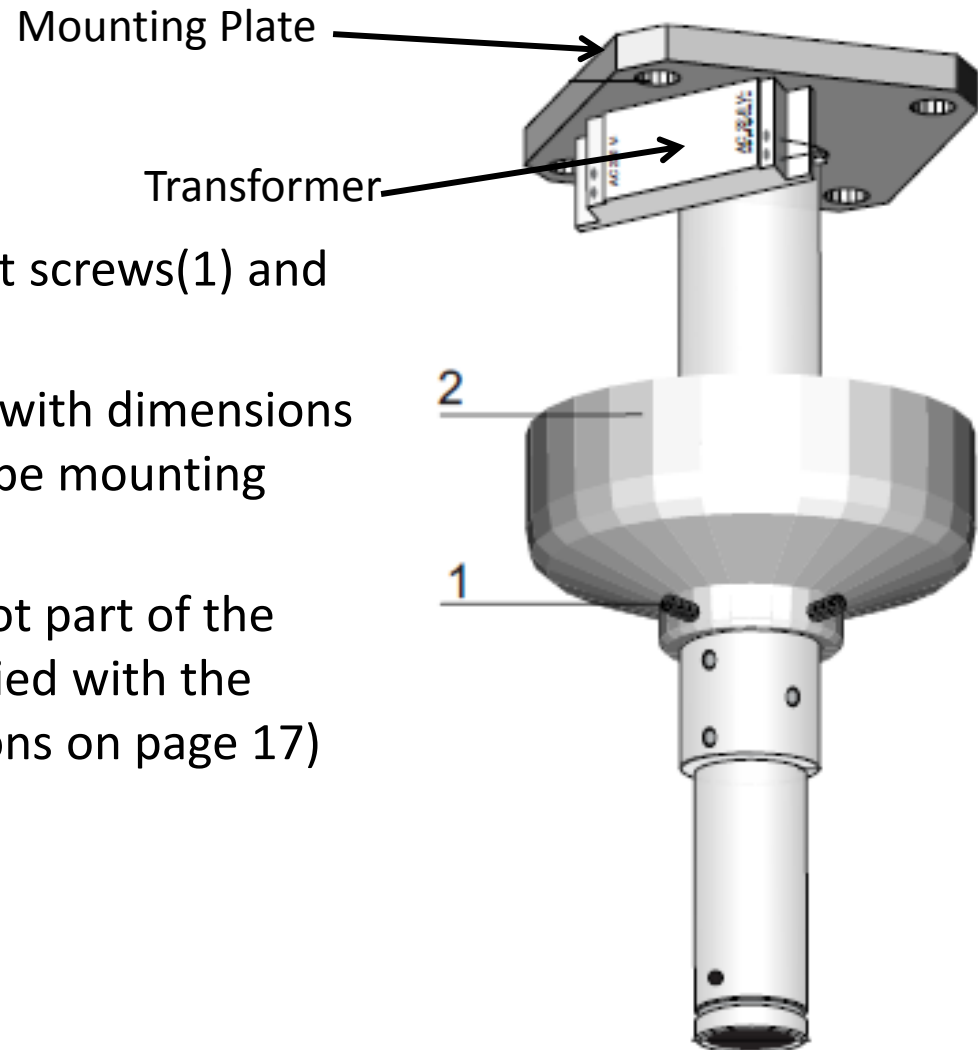
Insert set screw with additional length ensuring screw engages the hole in the pin/steel bearing sleeve



GS 900 Ceiling Mount Assembly Instructions

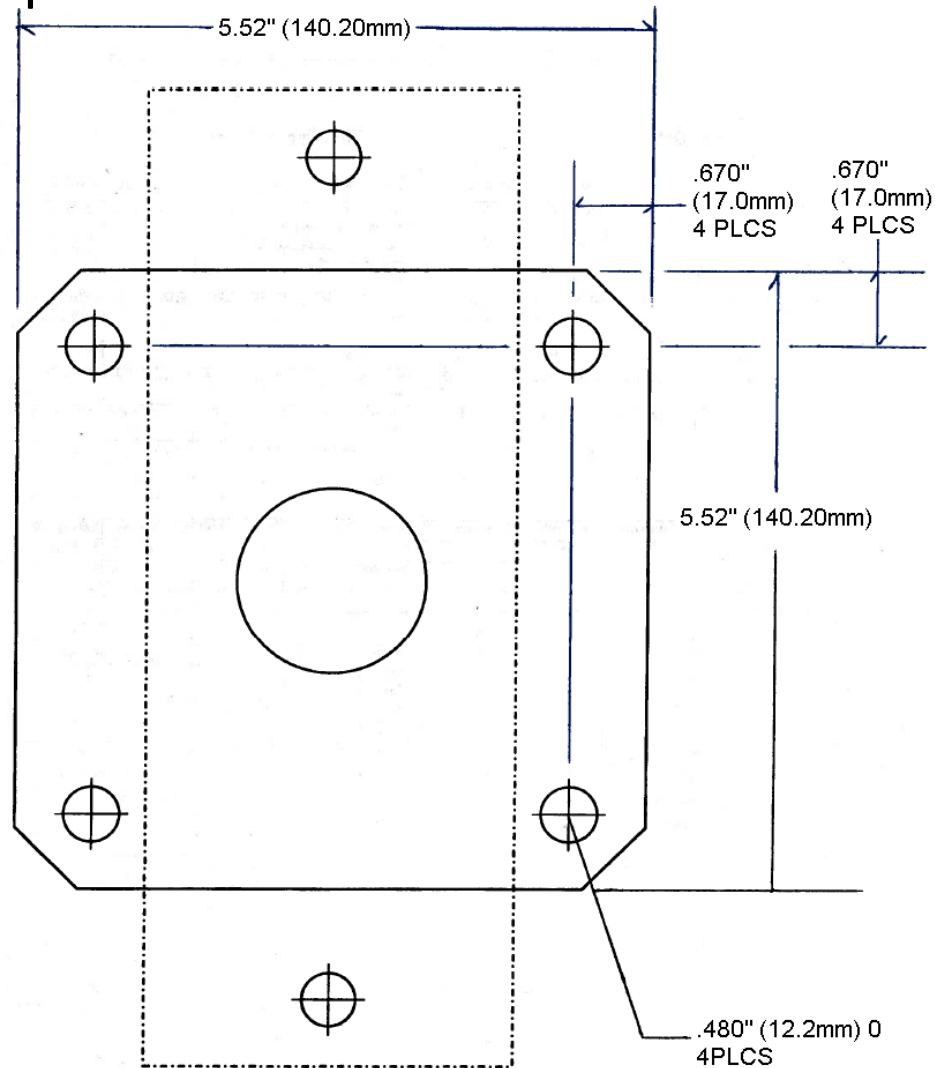
Mounting Spacer Tube

- Loosen three threaded pins/set screws(1) and remove fixture flange/bezel(2)
- Using the drilling template (or with dimensions on next page) fasten spacer tube mounting plate to the ceiling
- The indicated transformer is not part of the GS900 system and is not supplied with the assembly (see wiring instructions on page 17)



GS 900 Ceiling Mount Assembly Instructions

- Drilling Template Dimensions



ONDAL Industrietechnik GmbH
Wellastr. 2-4

36085 Hünfeld / Germany

GS 900 Ceiling Mount Assembly Instructions

Wiring Instructions

- Connecting power wires



Black -- Hot

White -- Neutral

Green – Green/yellow -- Ground

GS 900 Ceiling Mount Assembly Instructions

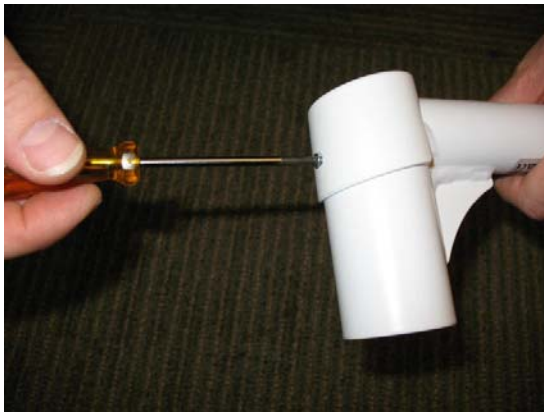
Connecting Spring Arm to Extension Arm



Remove and discard protective cover

GS 900 Ceiling Mount Assembly Instructions

Remove plastic cap/electrical connector from one end of the extension arm



GS 900 Ceiling Mount Assembly Instructions

Slide spring arm bearing into extension arm



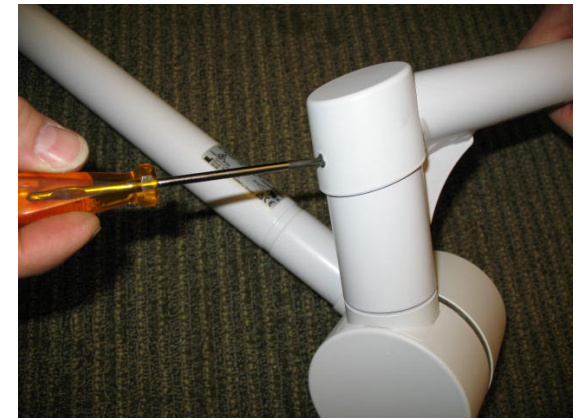
Place washer



Install Spring Clip using tool



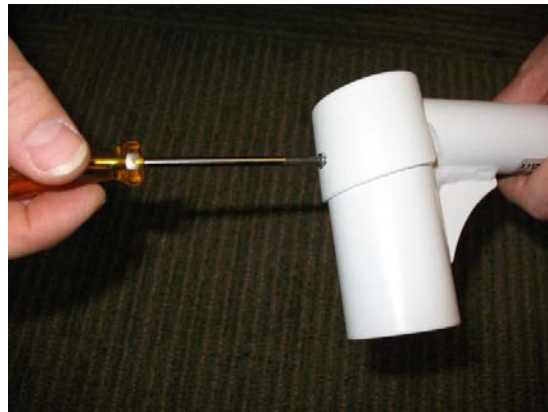
Replace plastic cap/electrical connector and secure with screw



GS 900 Ceiling Mount Assembly Instructions

Mounting Extension Arm to Spacer Tube

Remove plastic cap/electrical connector from other end of extension arm



Slide Extension
Arm onto Spacer
Tube Bearing



GS 900 Ceiling Mount Assembly Instructions

Place washer



Place slotted cone inserting
cone feature into hole in
bearing



Install spring clip using tool



Please note: these parts are
located in the spacer tube bearing
protective sleeve

GS 900 Ceiling Mount Assembly Instructions

Replace plastic cap/electrical connector and secure with screw



Please note: The spring tension of the spring arm is preset by the manufacturer (Ondal). The luminaire must be attached for the spring arm to balance.

GS 900 Ceiling Mount Assembly Instructions

Attaching Luminaire to Spring Arm



Remove and discard protective cover

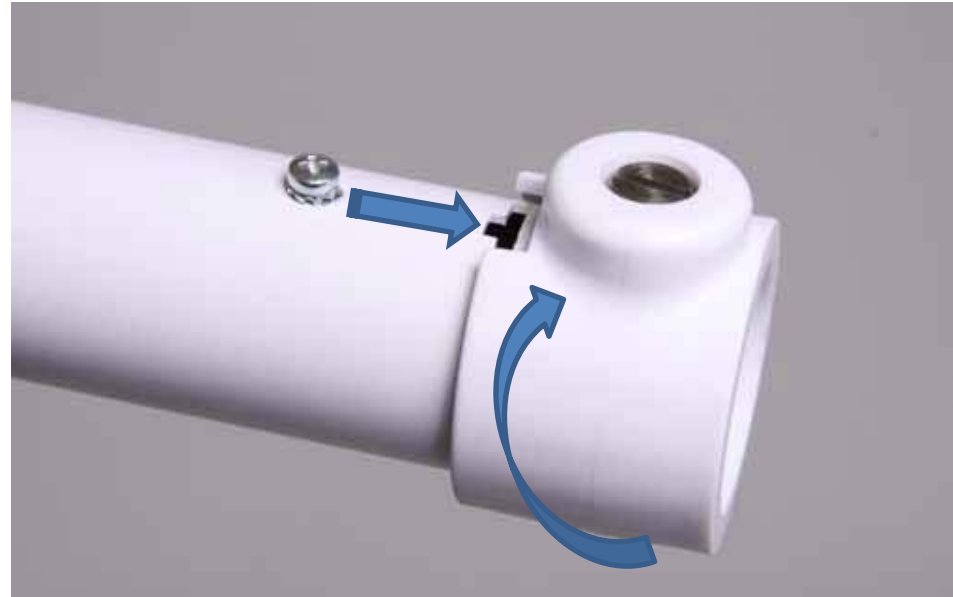


GS 900 Ceiling Mount Assembly Instructions

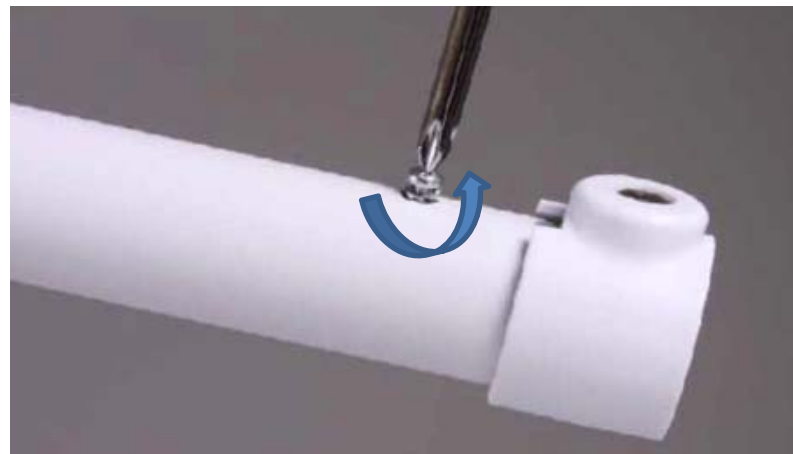
Loosen the slotted screw



Rotate plastic collar 180° to reveal key slot



Loosen (do not remove) the Phillips head screw



GS 900 Ceiling Mount Assembly Instructions

- Insert luminaire into the spring arm



GS 900 Ceiling Mount Assembly Instructions



Place securing segment completely into slot



GS 900 Ceiling Mount Assembly Instructions

- Tighten Phillips head screw, turn plastic sleeve 180° and tighten slotted screw



GS 900 Ceiling Mount Assembly Instructions

- Turn on light to ensure it is working properly

