



## PHANTOM MINOR PROCEDURE LIGHT

Phantom combines the best of both worlds: concise power and control, with intuitive light positioning.

Delivering a cool and efficient 4000K 70,000+ lux @ 1 metre, Phantom's sleek, lightweight design and large task area action zone make it perfect for a range of applications – and with only minimal intrusion to the task area. Plus, Phantom's fully sealed and detachable head with hygienic touch sensitive membrane switch, provides easy operation and technician-free maintenance.



TOUCH MEMBRANE SWITCH

### STAY SAFE

Phantom's touch membrane switch gives quick access to ON/OFF and 4 stage dimming control. And with its easy-wipe and IP65-rated head, superior infection control has never been easier.

### DESIGNED AND MADE IN AUSTRALIA



Phantom is the proud result of over 50 years of Australian research and development in medial lighting. Phantom is designed and manufactured entirely in Australia and built to conform to and exceed rigorous Australian standards and testing.

### A LIGHT FOR PEACE OF MIND

We stand behind our design and manufacturing process with an industry leading 5 year warranty.



### PRODUCT HIGHLIGHTS

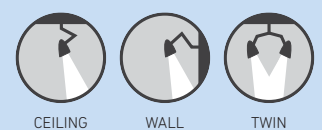
- Powerful 70,000+ lux @ 1 metre with cool-running LED technology
- AkzoNobel BioCote® Antimicrobial silver ion technology coating
- Minimal maintenance and low on-going costs
- Easy multi axis light positioning with continuous arm rotation (CRD)
- Fully sealed quick-release head.
- Removable handle and sleek design for easy sterilisation
- Durable all metal construction
- Large task area action zone (220mm øD10)

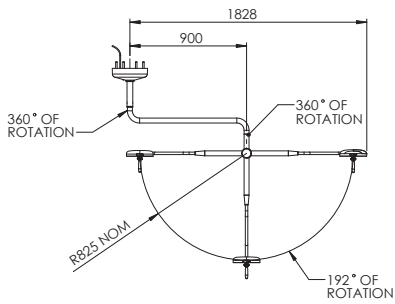
## PHANTOM MINOR PROCEDURE LIGHT



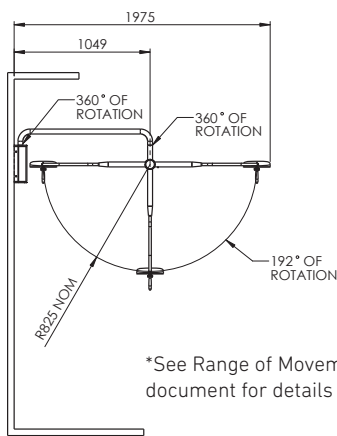
### APPLICATIONS

- Minor Procedure
- Pre and Post Operative Areas
- Emergency Areas
- Intensive Care
- Day Surgeries
- Resuscitation Bays
- Skin Cancer



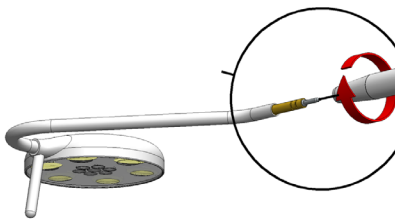


**RANGE OF MOVEMENT  
STANDARD CEILING**



\*See Range of Movement document for details

**RANGE OF MOVEMENT  
WALL**



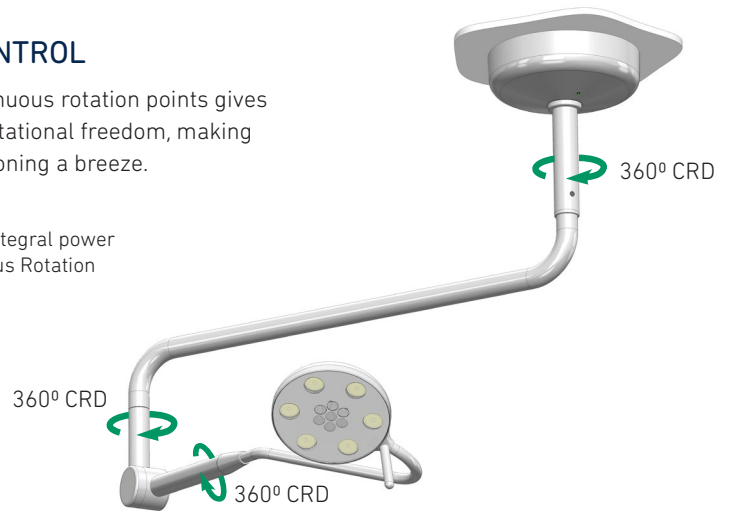
**QUICK-RELEASE HEAD**

Phantom's quick release, detachable head makes maintenance quick and easy.

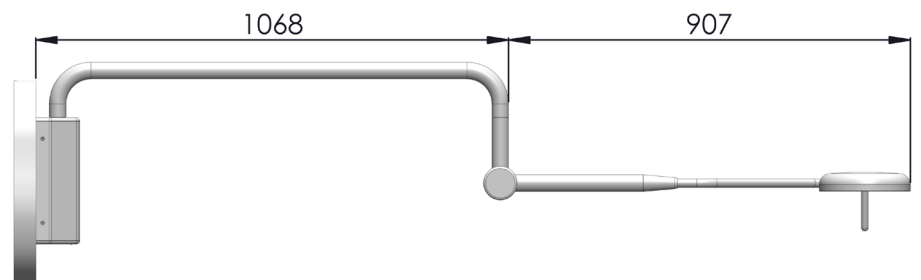
**INTUITIVE CONTROL**

Phantom's 3 continuous rotation points gives over 360° (CRD) rotational freedom, making perfect light positioning a breeze.

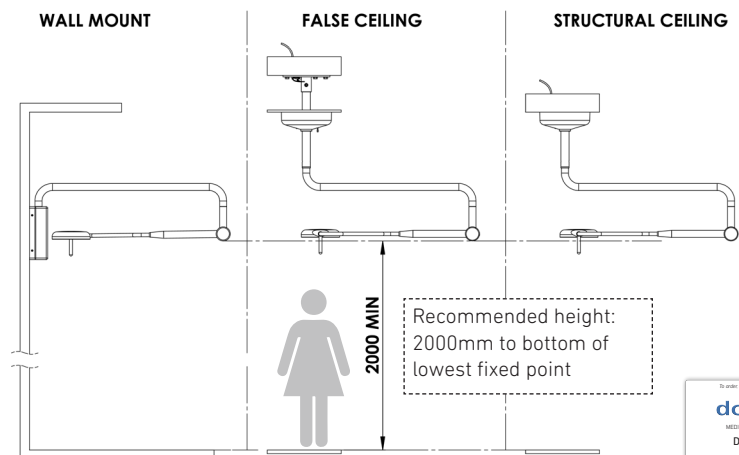
Ceiling mount with integral power supply and Continuous Rotation Device (CRD) head.



**CEILING MOUNT**



**WALL MOUNT**



**RECOMMENDED LOWEST FIXED POINT**



**PHANTOM  
MINOR PROCEDURE LIGHT**



Cardiac protection models available: Add "CP" to product code.

Example: PLAPHANTOM-3300-CP

PRODUCT CODE	DESCRIPTION	POWER
PLAPHANTOM-3300	Ceiling mount to suit a standard floor to ceiling fixing point up to 3300mm, or specified custom mount length which is between 2600mm and 3300mm, with integral transformer	31W
PLAPHANTOM-W	Phantom Wall mounted with integral transformer	31W