

dermlite[®] DL4

English	3
Bosanski	4
Čeština	5
Dansk	6
Deutsch	7
Eestlane	8
Español	9
Français	10
Gaeilge	11
Hrvatski	12
Italiano	13
Latvietis	14
Lietuvis	15
Magyar	16
Nederlands	17
Polskie	18
Português	19
Română	20
Slovenščina	21
Slovenský	22
Suomi	23
Svenska	24
Türk	25
Ελληνικά	26
български	27
русский	28
Український	29
한국어	30
日本語	31
简体中文	32

To order or for more information, please contact:

docStock

MEDICAL EQUIPMENT SPECIALISTS™

DocStock Pty Ltd

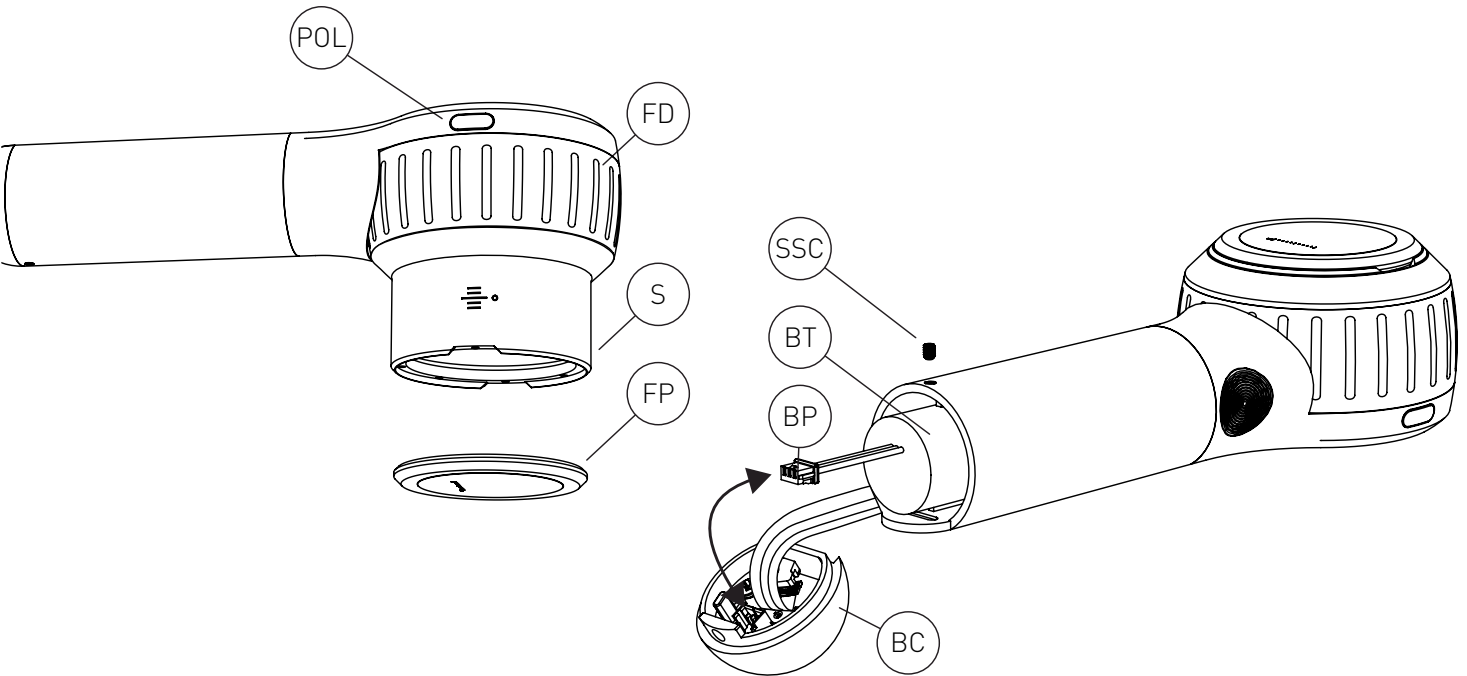
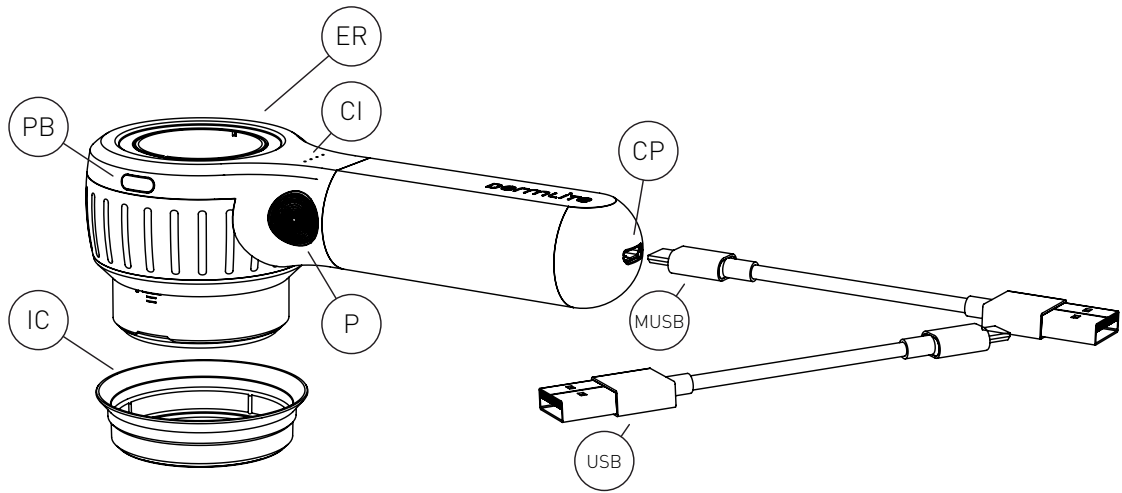
ABN 48 115 268 203

P: (02) 8850 7177

E: info@docstock.com.au

www.DocStock.com.au

dermlite DL4



Instructions

Intended Use

This device is intended for medical purposes to illuminate body surfaces. It is used for non-invasive visual examination of intact skin.

This battery-operated product is designed for external examination only within professional healthcare facilities by medical professionals.

Check the correct operation of the device before use! Do not use the device if there are visible signs of damage.

CAUTION: Do not look directly into the LED light. Patients must close their eyes during examinations.

In case of a serious incident with the use of this device, notify DermLite immediately and, if required by local regulations, your national health authority.

CAUTION: Do not use the device in fire or explosive risk area (e.g. oxygen-rich environment).

WARNING: This product can expose you to chemicals including methylene chloride and hexavalent chromium, which are known to the State of California to cause cancer or reproductive toxicity. For more information go to www.P65Warnings.ca.gov.

Electromagnetic Compatibility

This device complies with the EMC Emissions and Immunity level requirements of the standard IEC 60601-1-2:2014. The emission characteristics of this equipment make it suitable for use in professional healthcare environment as well as residential environment (CISPR 11 Class B). This equipment offers adequate protection to radio communication service. In the rare event of interference to the radio communication service, the user might need to take mitigation measures, such as relocating or re-orienting equipment.

WARNING: Use of this equipment adjacent to or stacked with other equipment should be avoided because it could result in improper operation. If such use is necessary, this equipment and the other equipment should be observed to verify that they are operating normally.

WARNING: Use of accessories other than those provided by the manufacturer of this equipment could result in increased electromagnetic emissions or decreased electromagnetic immunity of this equipment and result in improper operation.

WARNING: Portable RF transmitters should be used no closer than 30 cm (12 inches) to any part of the device. Otherwise, degradation of the performance of this equipment could result.

IMPORTANT: Before initial use, please charge the internal lithium ion battery. See "Battery and Charging" for details.

DermLite DL4 is a smartphone-compatible pocket dermatoscope designed to view skin lesions using cross-polarized or non-polarized light and high magnification and clarity.

A high-quality 10x lens with superb color correction and reduced image distortion produces an image rich in surface detail.

IceCap®

To support your infection control measures, snap one of the included disposable IceCaps (IC) over the installed faceplate (FP). To remove and dispose, simply pull it off.

Hold your DermLite DL4, with the LEDs aimed in the direction of the lesion to be examined, approximately 25mm (1") above the skin. Push the power button (P) to turn on the device or push the two mode buttons (POL & PB), located at the head, simultaneously. Look through the lens and move the device closer or farther away from the skin to focus the image. To toggle between non-polarized mode for immersion fluid dermoscopy and cross-polarized illumination, briefly push any button. Push and hold (POL) for about 1 second to toggle between two brightness levels.

For dermoscopy with skin contact, rotate the Focus Dial (FD) to extend the spacer (S) and focus the image. To turn off your DermLite, push the power button (P) for about 1 sec. or push the two mode buttons (POL & PB), located at the head, simultaneously. To save power, the unit automatically turns off after 3 minutes.

Photography

This DermLite may be connected with mobile devices or cameras using DermLite magnetic adapters (sold separately) which attach to the extension ring (ER). Prior to taking images, wipe the faceplate (FP) clean and extend the spacer (S) to the "0" position.

Removing the Faceplate

The faceplate (FP) may be pulled off the Spacer (S) by grabbing it at the finger-nail notches.

PigmentBoost®

Press (PB) briefly to activate PigmentBoost lighting in addition to white light. To enter the exclusively orange PigmentBoost Plus mode, press the button (PB) for about 1 second; briefly press (PB) or (POL) to exit.

Battery and Charging

CAUTION: This device uses a special 3.7V 1400mAh lithium ion battery, which can only be purchased from DermLite or from an authorized DermLite dealer. Do not under any circumstances use another battery other than the one designed for this unit.

This device is equipped with a four-level Charge Indicator (CI). When the unit is turned on and fully charged, all four LEDs light up. When less than 75% of battery life remains, three LEDs are illuminated. If more than half the battery is drained, two LEDs are on, while a single LED indicates that less than 25% of battery capacity remains. To charge your device, connect the supplied USB-C to USB cable to the Charging Port (CP) and any IEC 60950-1 compliant (5V) USB port. The Charge Indicator (CI) pulses to indicate charging, with the number of pulsing LEDs corresponding with charge level. When charging is complete, all four indicator LEDs illuminate. After years of use, you may wish to re-place the battery, which is only available directly from DermLite or an authorized DermLite dealer. After hundreds of charges, the battery's capacity will be reduced to the point where it may be more convenient to replace the battery. To remove the battery (BT), remove the battery cap (BC) by unscrewing the set screw (SSC) using the wrench supplied with each DL4 replacement battery. Disconnect the small white battery plug (BP) and slide the battery (BT) out. Insert a new battery and reconnect the battery plug. Replace the battery cap (BC) and secure it with the set screw (SSC).

Troubleshooting

Please check www.derm-lite.com for the most current troubleshooting information. If your device requires servicing, visit www.derm-lite.com/service or contact your local DermLite dealer.

Care and Maintenance

CAUTION: No modification of this equipment is allowed. Your device is designed for trouble-free operation. Repairs shall be made only by qualified service personnel.

Cleaning

The exterior of your device, except the optical parts, may be wiped clean with isopropyl alcohol (70% vol.) prior to use on a patient. The lens should be treated as high-quality photographic equipment and should be cleaned with standard lens cleaning equipment and protected from harmful chemicals. Do not use abrasive material on any part of the equipment or immerse the device in liquid. Do not autoclave.

Warranty: 10 years for parts and labor. The battery is warranted for 1 year.

Disposal

This device contains electronics and a lithium-ion battery that must be separated for disposal and may not be disposed of with general household waste. Please observe local disposal regulations.

This set includes:

DermLite (24 LEDs, 30 mm lens system with 10x magnification, cross-polarized and non-polarized illumination, retractable spacer, removable faceplate with 10 mm reticle), silicone sleeve, belt case, charging cable, 5 IceCaps.

Technical Description

Visit www.derm-lite.com/technical or contact your local DermLite dealer.



Manufacturer
 Proizvođač
 Výrobce
 Fabrikant
 Hersteller
 Tootja
 Fabricante
 Fabricant
 Déantúsóir
 Proizvođač
 Fabbriicante
 Ražotājs
 Gamintojas
 Gyártó
 Fabrikant
 Producent
 Fabricante
 Producător
 Proizvajalec
 Výrobca
 Valmistaja
 Tillverkare
 Üretici firma
 Κατασκευαστής
 Производитель
 производитель
 Виробник
 제조사
 メーカー
 制造商



Catalog Number
 Kataloški broj
 Katalogové číslo
 Katalognummer
 Katalognummer
 Katalooginumber
 Numero de catalogo
 Numéro de catalogue
 Uimhir Catalog
 Kataloški broj
 Numero di catalogo
 Kataloga numurs
 Katalogo numeris
 Katalógus szám
 Catalogus nummer
 Numer katalogu
 Número de catálogo
 Catalog Number
 Kataloška številka
 Katalógové číslo
 Luettelonumero
 Katalognummer
 Katalog numarası
 Αριθμός καταλόγου
 Каталоген номер
 Номер каталога
 Номер каталогу
 카탈로그 번호
 カタログ番号
 目录编号



Serial Number
 Serijski broj
 Sériové číslo
 Seriennummer
 Seriennummer
 Seerianumber
 Número de serie
 Numéro de série
 Uimhir Sraithuimhir
 Serijski broj
 Numero di serie
 Sērijas numurs
 Serijos numeris
 Sorozatszám
 Seriennummer
 Numer seryjny
 Número de série
 Număr de serie
 Serijska številka
 Sériové číslo
 Sarjanumero
 Seriennummer
 Seri numarası
 Σειριακός αριθμός
 Серийн номер
 Серийный номер
 Серійний номер
 일련 번호
 シリアルナンバー
 序列号



Date of Manufacture
 Datum proizvodnje
 Datum výroby
 Fremstillling dato
 Hersteddatum
 Tootmiskuupäev
 Fecha de manufactura
 Date de fabrication
 Dáta an Déantúsaiochta
 Datum proizvodnje
 Data di produzione
 Izgatavošanas datums
 Pagaminimo data
 Gyártás dátuma
 Fabricagedatum
 Data produkci
 Data de fabricaço
 Data fabricatiei
 Datum izdelave
 Dátum výroby
 Valmistuspäivämäärä
 Tillverkningsdatum
 Üretim tarihi
 Ημερομηνία παραγωγής
 Дата на производство
 Дата производства
 Дата виготовлення
 제조 일자
 製造日
 生产日期



Medical Device
 Medicinski savjet
 Zdravotnické zařizení
 Medicinsk udstyr
 Medizinisches Gerät
 Meditsiiniline seade
 Dispositivo médico
 Dispositif médical
 Feiste leighis
 Medicinski uređaj
 Dispositivo medico
 Medicīniska iekārta
 Medicininis prietaisas
 Orvosi eszköz
 Medisch apparaat
 Urządzenie medyczne
 Aparelho médico
 Aparat medical
 Medicinski pripomoček
 Zdravotnicke pomôcky
 Lääketieteellinen laite
 Medicinsk utrustning
 Tibbí cihaz
 Ιατρική συσκευή
 Медицинско изделие
 Медицинский прибор
 Медичний прилад
 의학 기기
 医療機器
 医疗设备



Direct Current
 Prava struja
 Stejnosemý proud
 Jævnstrøm
 Gleichstrom
 Alalisvool
 Corriente continua
 Courant continu
 Sruth díreach
 Prava struja
 Corrente continua
 Līdzstrāva
 Nuolatinė srovė
 Egyenáram
 Gelijkstroom
 Prąd stały
 Corrente diretta
 Curent continuu
 Enosmerni tok
 Priamy prúd
 Tasavirta
 Likström
 Doğru akım
 Συνεχές ρεύμα
 Постоянен ток
 Постоянный ток
 Постійний струм
 직류
 直流
 直流电



Follow instructions for use
 Pratite uputstva za upotrebu
 Postupujte podle pokynů k použití
 Følg brugsanvisningen
 Gebrauchsanweisung befolgen
 Järgige kasutusjuhendit
 Siga las instrucciones de uso.
 Suivez les instructions d'utilisation
 Lean na treoracha úsaíde
 Slijedite upute za uporabu
 Seguire le istruzioni per l'uso
 Izpildiet lietošanas instrukcijas
 Laikykites naudojimo instrukcijų
 Kövesse a használati útmutatót
 Volg de instructies voor gebruik
 Postępuj zgodnie z instrukcjami użytkowania
 Siga as instruções de uso
 Urmați instrucțiunile de utilizare
 Upoštevejte navodila za uporabo
 Postupujte podľa pokynov na použitie
 Seuraa käyttöohjeita
 Följ instruktionerna för användning
 Kullanim talimatlarını izleyin
 Ακολουθήστε τις οδηγίες χρήσης
 Следвайте инструкциите за употреба
 Следуйте инструкциям по применению
 Дотримуйтесь інструкцій із використання
 사용 지침을 따르십시오
 使用説明書に従ってください
 遵循使用说明



Do not dispose as unsorted municipal waste
 Ne odlagati kao nesortirani komunalni otpad
 Nevyhazujte do netříděného komunálního odpadu
 Bortskaf ikke som usorteret kommunalt affald
 Nicht als unsortierter Hausmüll entsorgen
 Ärge visake sortimata olmejäätmete hulka
 No desechar como basura municipal sin clasificar
 Ne pas jeter comme déchet municipal non trié
 Ná deán díuscairt mar dhramhaíl chathrach neamhshaofa
 Ne odlagati kao nesortirani komunalni otpad
 Non gettare tra i rifiuti urbani non differenziati
 Neatbrīvoļieties no nešķirotiem sadzīves atkritumiem
 Neišmeskite kaip nerūšiuotos komunalinės atliekos
 Ne dobla el válogatás nélkülül kommunális hulladéként
 Gooi ze niet weg als ongesorteerd gemeentelijk afval
 Nie wyrzucaj razem z niesortowanymi odpadami komunalnymi
 Não descartar como lixo municipal não classificado
 Nu aruncați ca deșeuri municipale nesortate
 Ne odlagajte med nesortirane komunalne odpadke
 Nevyhadzujte do netriedeného komunálneho odpadu
 Älä hävittää lajittelemattoman yhdyskuntajätteenä
 Kassera inte som osorterat kommunalt avfall
 Ayrılmamış belediye atığı olarak atmayın
 Μην απορρίπτετε ως ασπικά απόβλητα
 Не изхвърляйте като несортирани битови отпадъци
 Не выбрасывать в качестве несортированных бытовых отходов.
 Не викидайте як несортовані побутові відходи
 분류되지 않은 도시 폐기물로 처리하지 마십시오
 分別されていない一般廃棄物として処分しないでください
 請勿作為未分類的城市垃圾處理

European authorized representative
 Evropski ovlašteni predstavnik
 Evropský zplnomocněný zástupce
 Europæisk autoriseret repræsentant
 Europäischer Bevollmächtigter
 Euroopa volitatud esindaja
 Representante autorizado europeo
 Représentant autorisé européen
 Ionadaí údaráithe Eorpach
 Evropski ovlašteni predstavnik
 Rappresentante autorizzato europeo
 Eiropas pilnvarotais pārstāvis
 Europos įgaliotasis atstovas
 Európai meghatalmazott képviselő
 Europese gemachtigde vertegenwoordiger
 Europejski upoważniony przedstawiciel
 Representante autorizado europeo
 Reprezentant autorizat european
 Evropski pooblaščen zastopnik
 Európsky splnomocnený zástupca
 Eurooppalainen valtuutettu edustaja
 Europeiska auktoriserade representant
 Avrupa yetkili temsilcisi
 Ευρωπαϊός εξουσιοδοτημένος εκπ
 Европейски упълномощен представител
 Европейский уполномоченный представитель
 Європейський уповноважений представник
 유럽 공인 담당자
 歐洲公認代表
 歐洲授权代表



Product complies with European Medical Device Regulation (2017/745)
 Proizvod je u skladu s Europskom uredbom o medicinskim proizvodima (2017/745)
 Produkt vyhovuje evropským předpisům o zdravotnických prostředcích (2017/745)
 Produktet er i overensstemmelse med europæisk lovgivning om medicinsk udstyr (2017/745)
 Produkt entspricht der europäischen Medizinprodukteverordnung (2017/745)
 Toode vastab Euroopa meditsiiniseadmete määrusele (2017/745)
 El producto cumple con el Reglamento Europeo de Dispositivos Médicos (2017/745)
 Le produit est conforme à la réglementation européenne sur les dispositifs médicaux (2017/745)
 Cloíonn an táirge le Rialachán Feistí Leighis na hEorpa (2017/745)
 Proizvod je u skladu s Europskom uredbom o medicinskim proizvodima (2017/745)
 Il prodotto è conforme al regolamento europeo sui dispositivi medici (2017/745)
 Produkts atbilst Eiropas medicīnisko ierīču regulai (2017/745)
 Produktas atitinka Europos medicinos prietaisų reglamentą (2017/745)
 A termék megfelel az európai orvostechnikai eszközökről szóló rendeletnek (2017/745)
 Product voldoet aan de Europese verordening voor medische hulpmiddelen (2017/745)
 Produkt zgodny z Europejskim rozporządzeniem w sprawie wyrobów medycznych (2017/745)
 O produto está em conformidade com o Regulamento Europeu de Dispositivos Médicos (2017/745)
 Produsul respectă Regulamentul European privind dispozitivele medicale (2017/745)
 Izdelek je skladen z evropsko uredbo o medicinskih pripomočkih (2017/745)
 Výrobok vyhovuje európskym predpisom o zdravotníckych pomôckach (2017/745)
 Tuote on Euroopan lääketieteellisiä laitteita koskevan asetuksen (2017/745) mukainen
 Produkten överensstämmer med den europeiska förordningen om medicinsk utrustning (2017/745)
 Ürün, Avrupa Tıbbi Cihaz Yönetmeliği (2017/745) ile uyumludur
 Το προϊόν συμμορφώνεται με τον κανονισμό για τις ευρωπαϊκές ιατρικές συσκευές (2017/745)
 Продуктът отговаря на европейския регламент за медицинските изделия (2017/745)
 Продукт соответствует Европейским нормам медицинского оборудования (2017/745)
 Virib відповідає Європейському регламенту про медичні вироби (2017/745)
 제품이 유럽 의료 기기 규정 (2017/745)을 준수 함
 製品は、欧州医療機器規制 (2017/745) に準拠しています
 产品符合欧洲医疗器械法规 (2017/745)

Type B applied part
 Naneti deo tipa B
 Aplikovaná část typu B
 Type B pářört del
 Anwendungsteil Typ B
 Tüüp B rakendatud osa
 Pieza aplicada tipo B
 Pièce appliquée de type B
 Chuir Cineál B cuid i bhfeidhm
 Naneseni dio tipa B
 Parte applicata di tipo B.
 B tipa piemērotā daļa
 B tipo taikoma dalis
 B típusú alkalmazott alkatrész
 Type B toegepast onderdeel
 Część zastosowana typu B.
 Peça aplicada tipo B
 Partea aplicată de tip B
 Del B, ki se uporablja
 Aplikovaná část typu B.
 Tuuyppi B käytetty osa
 Typ B applicerad del
 B tipi uygulanan parça
 Εφαρμοσμένο μέρος τύπου B
 Приложена част тип B
 Тип B прикладная часть
 Прикладна частина типу B
 타입 B 적용 부품
 タイプB適用部品
 B型适用零件



Temperature limits in °C for storage and transport
 Temperature granice u °C za skladištenje i transport
 Teplotní limity ve °C pro skladování a přepravu
 Temperaturgrænser i °C til opbevaring og transport
 Temperaturgrenzen in °C für Lagerung und Transport
 Temperatuuri piirid °C ladustamisel ja transportimisel
 Límites de temperatura en °C para almacenamiento y transporte.
 Limites de température en °C pour le stockage et le transport
 Teorainneacha teocht a °C le haghaidh stórála agus iompair
 Temperature granice u °C za skladištenje i transport
 Limiti di temperatura in °C per lo stoccaggio e il trasporto
 Temperatūras ierobežojumi °C uzglabāšanai un pārvadāšanai
 Laikymo ir gabenimo temperatūros ribos °C
 Tárolási és szállítási hőmérsékleti korlátok °C-ban
 Temperatuurlimieten in °C voor opslag en transport
 Limity temperatury w °C do przechowywania i transportu
 Limites de temperatura em °C para armazenamento e transporte
 Limitele de temperatură în °C pentru depozitare și transport
 Mejne temperature v °C za lagring och transport
 Teplotné limity v °C na skladovanie a prepravu
 Lämpötilarajat °C varastoinnissa ja kuljetuksessa
 Temperaturgrænser i °C för lagring och transport
 Depolama ve taşıma için °C sıcaklık sınırları
 Ορια θερμοκρασίας σε °C για αποθήκευση και μεταφορά
 Температурни ограничения в °C за съхранение и транспортиране
 Температурные пределы в °C для хранения и транспортировки
 Межі температур у °C для зберігання та транспортування
 보관 및 운송시 °C의 온도 제한
 保管および輸送のための°C単位の温度制限
 储存和运输的温度限制 (单位: °C)



Pressure limitation for storage and transport
 Dozvoljeni pritisak zraka za skladištenje i transport
 Přípustný tlak vzduchu pro skladování a přepravu
 Tilladt lufttryk til opbevaring og transport
 Zulässiger Luftdruck für Lagerung und Transport
 Lubatud õhurõhk ladustamiseks ja transportamiseks
 Presión de aire permitida para almacenamiento y transporte.
 Pression d'air admissible pour le stockage et le transport
 Brú aeir incheadaithe le haghaidh stórála agus iompair
 Dopušteni tlak zraka za skladištenje i transport
 Pressione dell'aria consentita per lo stoccaggio e il trasporto
 Pielaujājams gaisa spiediens uzglabāšanai un pārvadāšanai
 Leistinas oro slėgis sandėliavimui ir transportavimui
 Tároláshoz és szállításhoz megengedett légnyomás
 Toegestane luchtdruk voor opslag en transport
 Dopuszczalne ciśnienie powietrza do przechowywania i transportu
 Pressão de ar admissível para armazenamento e transporte
 Presiunea admisă a aerului pentru depozitare și transport
 Dovoljeni zračni tlak za skladištenje in prevoz
 Přípustný tlak vzduchu na skladovanie a prepravu
 Sallittu ilmanpaine varastointia ja kuljetusta varten
 Tillåtet lufttryck för förvaring och transport
 Depolama ve nakliye için basınç sınırlaması
 Επιτρεπτή πίεση αέρα για αποθήκευση και μεταφορά
 Допустимо налягане на въздуха за съхранение и транспортиране
 Ограничение давления для хранения и транспортировки
 Обмеження тиску для зберігання та транспортування
 보관 및 운송에 대한 압력 제한
 保管と輸送の圧力制限
 储存和运输的压力限制



Humidity limitation for storage and transport
 Ograničenje vlage za skladištenje i transport
 Omezení vlhkosti pro skladování a přepravu
 Fugtighedsbegrænsning til opbevaring og transport
 Feuchtigkeitsbegrenzung für Lagerung und Transport
 Niiskuse piiramine ladustamisel ja transportimisel
 Limitación de humedad para almacenamiento y transporte.
 Limitation de l'humidité pour le stockage et le transport
 Teorainn taise le haghaidh stórála agus iompair
 Ograničenje vlage za skladištenje i transport
 Limitazione dell'umidità per lo stoccaggio e il trasporto
 Mitruma ierobežojums uzglabāšanai un pārvadāšanai
 Laikymo ir gabenimo drėgmės apribojimas
 Páratartalom korlátozása tárolás és szállítás esetén
 Vochtighedsbeperking voor opslag en transport
 Ograniczenie wilgotności podczas przechowywania i transportu
 Limitação de umidade para armazenamento e transporte
 Limitarea umidității pentru depozitare și transport
 Omejitve vlažnosti za skladištenje in prevoz
 Obmedzenie vlhkosti pri skladovaní a preprave
 Varastoinnin ja kuljetuksen kosteusrajoitus
 Luftfuktighetsbegrænsning för lagring och transport
 Depolama ve taşıma için nem sınırlaması
 Περιορισμός υγρασίας για αποθήκευση και μεταφορά
 Ограничение за влажност при съхранение и транспортиране
 Ограничение влажности для хранения и транспортировки
 Обмеження вологості для зберігання та транспортування
 보관 및 운송시 습도 제한
 保管と輸送の湿度制限
 储存和运输的湿度限制



Keep dry!
 Čuvajte na suhom!
 Skladujte v suchu!
 Opbevares tørt!
 Trocken lagern!
 Hoida kuivalt!
 Almacenar en seco!
 Conserver au sec!
 Stóráil tirim!
 Čuvajte na suhom!
 Conservare in luogo asciutto!
 Uzglabāt sausu!
 Laikykite sausai!
 Tárolja szárazon!
 Droog bewaren!
 Przechowywać w suchym miejscu!
 Armazene a seco!
 Magazin uscat!
 Shranjujte na suhem!
 Skladujte v suchu!
 Säilytä kuivana!
 Förvara torr!
 Kuru tut!
 Αποθηκεύστε!
 Съхранявайте на сухо!
 Сохраняй сухим!
 Тримай сухим!
 건조하게 유지하십시오!
 乾いた状態に保ちます!
 保持干燥!

Rx Only

Caution: Federal law (USA) restricts this device to sale by, or on the order of, a licensed healthcare practitioner
Oppez: Savezni zakon (SAD) ograničava prodaju ovog uređaja od strane ili po nalogu licenciranog zdravstvenog radnika.
Upozornění: Federální zákon (USA) omezuje prodej tohoto zařízení prodejcem nebo na objednávku lékaře s licenci na zdravotní péči.
Advarsel: Føderal lov (USA) begrænser denne enhed til salg af eller efter ordre fra en autoriseret sundhedslæge.
Achtung: Das Bundesgesetz (USA) beschränkt den Verkauf dieses Geräts durch oder auf Anordnung eines zugelassenen Arztes.
Ettevaatust: föderaalseedused (USA) piiravad selle seadme müümist litsentseeritud tervishoiutöötaja poolt või tema tellimusel.
Precaución: La ley federal (EE. UU.) restringe la venta de este dispositivo a un profesional de la salud con licencia o por orden de este.
Attention: La loi fédérale (USA) restreint la vente de cet appareil par ou sur ordre d'un professionnel de la santé agréé.
Rabhadh: Cuireann dlí Chónaidhme (SAM) srian ar an ngléas seo le cleachtóir cúram sláinte ceadúnaithe a dhíol nó a ordú.
Oppez: Savezni zakon (SAD) ograničava prodaju ovog uređaja putem ili po nalogu licenciranog zdravstvenog radnika.
Attenzione: la legge federale (USA) limita la vendita di questo dispositivo a un operatore sanitario autorizzato o su suo ordine.
Uzmanību: Federālie likumi (ASV) ierobežo šīs ierīces tirdzniecību ar licencētu veselības aprūpes darbinieku starpniecību vai pēc pasūtījuma.
Dêmesio: Federalinis įstatymas (JAV) draudžia šį prietaisą pardavinėti licencijuotam sveikatos priežiūros specialistui arba jo užsakymu.
Vigyázat: Az USA szövetségi törvénye korlátozza ezt a készüléket engedéllyel rendelkező egészségügyi szakember által vagy megrendelésére.
Let op: de federale wet (VS) beperkt dit apparaat tot verkoop door of in opdracht van een erkende zorgverlener.
Przestroga: prawo federalne (USA) ogranicza sprzedaż tego urządzenia przez licencjonowanego pracownika opieki zdrowotnej lub na jego zlecenie.
Cuidado: A lei federal dos EUA restringe a venda deste dispositivo por um profissional de saúde licenciado ou por ordem deste.
ATENȚIE: Legea federală (SUA) restricționează acest dispozitiv la vânzarea de către, sau la ordinul unui medic de sănătate autorizat.
Pozor: Zvezni zakon (ZDA) omejuje prodajo te naprave s strani ali po naročilu pooblaščenega zdravstvenega delavca.
Upozornenie: Federálne zákony (USA) obmedzujú predaj tohto zariadenia predajcom alebo na objednávku odborníka s licenciou na zdravotnú starostlivosť.
Varoitus: Yhdysvaltain liittovaltion laki rajoittaa tämän laitteen myynnin lisensoidun terveydenhuollon ammattihenkilön toimesta tai tilauksesta.
Varning: Federal lag (USA) begränsar denna enhet till försäljning av eller på beställning av en licensierad sjukvårdspersonal.
Dikkat: Federal yasalar (ABD), bu cihazın lisanslı bir sağlık uzmanı tarafından veya bu sırayla satılmasını kısıtlar
Προσοχή: Το ομοσπονδιακό δίκαιο (Η.Π.Α.) περιορίζει τη συσκευή αυτή στην πώληση από ή με εντολή ειδικευμένου ιατρού.
Внимание: Федералният закон (САЩ) ограничава това устройство за продажба от или по поръчка на лицензиран медицински лекар.
Внимание: Федеральный закон (США) ограничивает продажу этого устройства лицензированным практикующим врачом или по его заказу.
Увага: Федеральний закон (США) обмежує продаж цього пристрою ліцензованим медичним працівником або на його замовлення.
주의: 미국 연방법에 따라 이 장치는 면허가 있는 의료 종사자가 판매하거나 그에 따라 판매하도록 제한합니다.
注意: 連邦法 (米 國) は、このデバイスを認可された医療従事者による、またはその注文による販売に制限しています。
注意: 联邦法律 (美国) 限制此设备只能由有执照的医疗保健从业人员或按其订购

 **dermlite**[®]



DermLite LLC 31521 Rancho Viejo Rd Ste 104
San Juan Capistrano CA 92675 | USA
Tel. +1-949-481-6384 | Fax +1-949-240-7492
info@3geninc.com | www.dermlite.com



E. C. REP Ltd
5 Fitzwilliam Square East,
Dublin 2, D02 R744, Ireland
Tel: +353 1 2 544 944 Email: info@ecrep.ie

Patents/Trademarks: www.dermlite.com/patents

www.DermLite.au