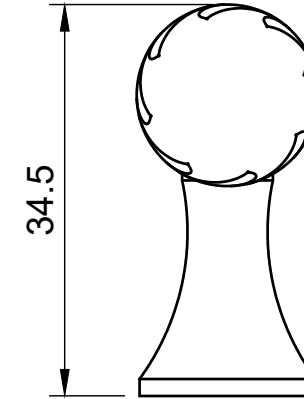
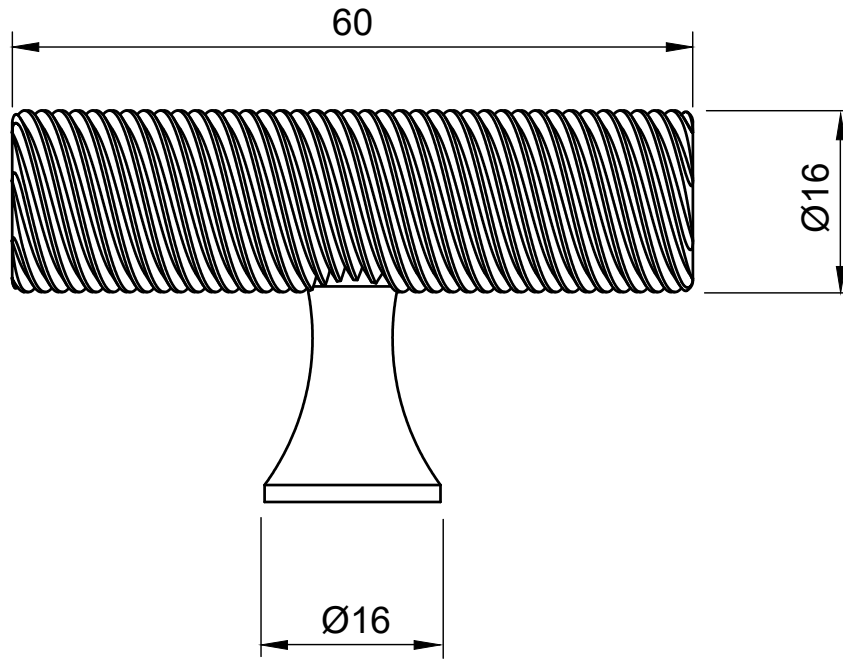


Thread Size
Cabinet Pull
M4



DANIEL OXFORD
CABINETS COLLECTION

Design Name
Wilmslow T Bar

Version Number

IMPORTANT: This technical drawing is the private and confidential property of DANIEL OXFORD and must not be disclosed to third parties without DANIEL OXFORD written permission