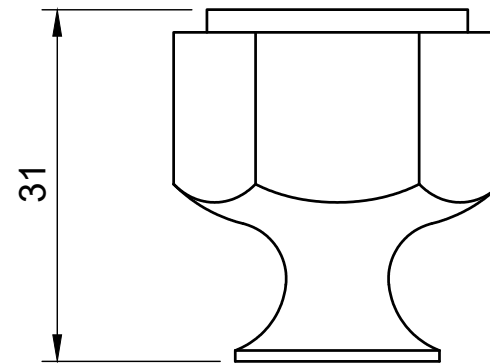
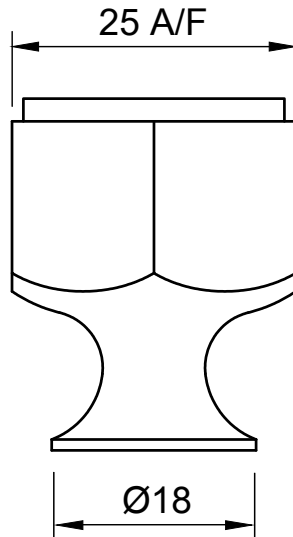


Thread Size
Cabinet Pull
M4



<p>DANIEL OXFORD CABINERY COLLECTION</p>	Design Name
	Battersea CK
	Version Number

IMPORTANT: This technical drawing is the private and confidential property of DANIEL OXFORD and must not be disclosed to third parties without DANIEL OXFORD written permission