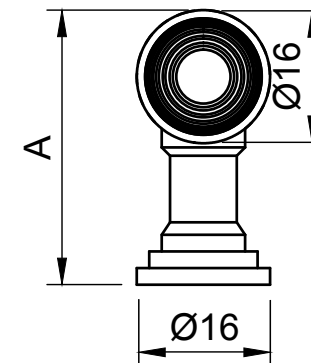
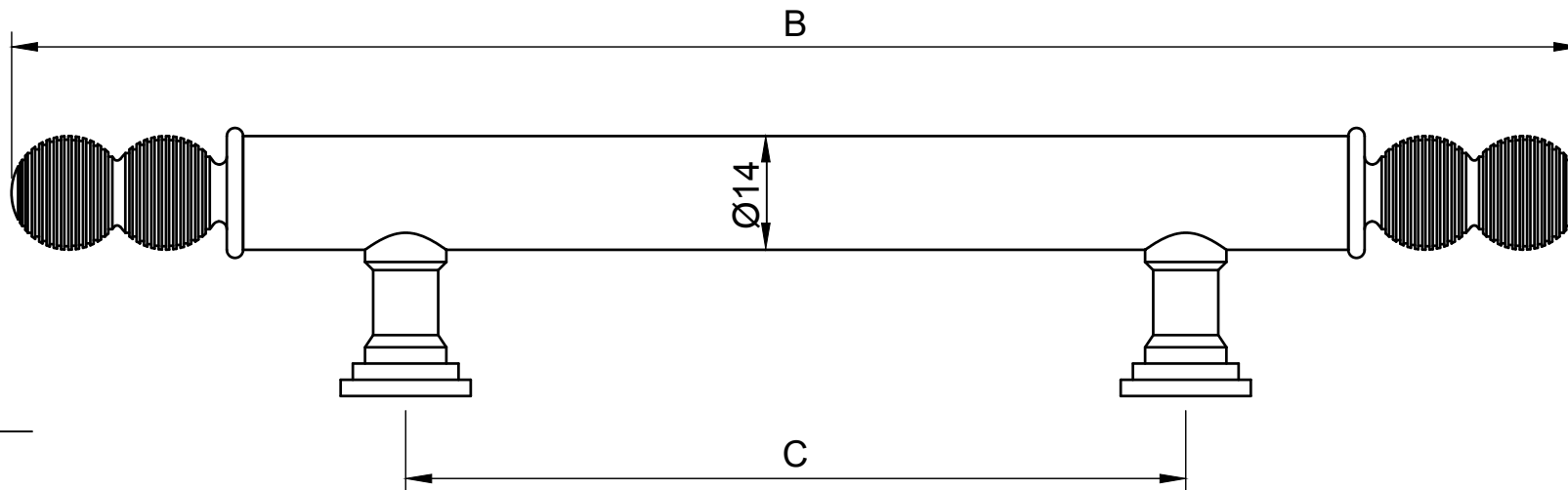


Thread Size
Cabinet Pull
M4



A	B	C
34mm	193mm	96mm
34mm	257mm	160mm
34mm	321mm	224mm
34mm	385mm	288mm

DANIEL OXFORD CABINETRY COLLECTION	Design Name
	Ascot Pull
	Version Number

IMPORTANT: This technical drawing is the private and confidential property of DANIEL OXFORD and must not be disclosed to third parties without DANIEL OXFORD written permission