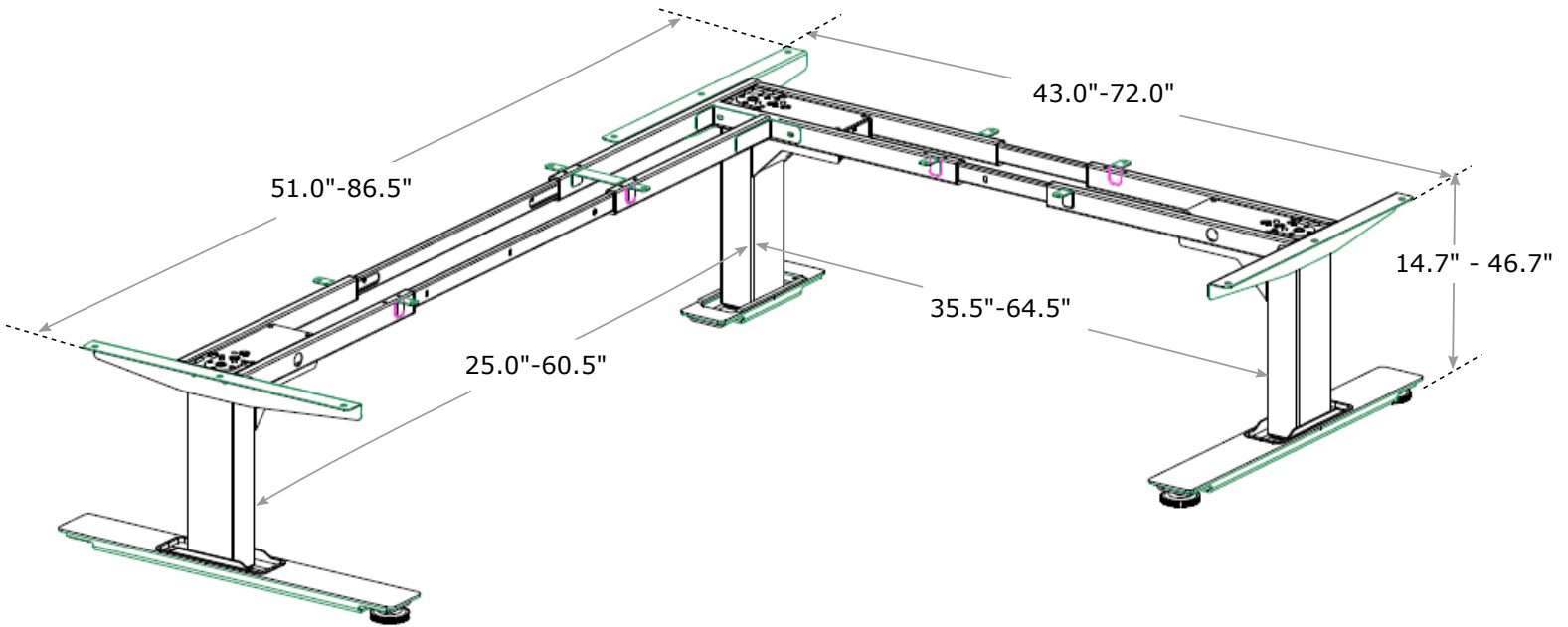


Uppeal - 3 Leg Adjustable Height Desk

Specifications

SKU: 3FDNU



* Return side can be either Left or Right

Height Range	14.70"-46.70"
Travel Speed	1.8"/second
Noise Level	50 dB
Lifting Capacity	400 lbs
Current	4A Max
Voltage Input	100-120Vac, 50/60 Hz, 400W max
Warranty	10 year



Bifma G1-2013
Designed to Height Standard



Tri Motor



Bifma X5.5-2021
Designed to Durability Standard



Anti-Collision Detection



4 Stage Legs 25% faster
than 3 Stage Legs



Quiet Adjustment



2 Color Options

i For technical questions and support email info@uppealdesign.com or visit us at uppealdesign.com



uppealdesign.com



Uppeal

Desk Specifications 3 Leg Rev A