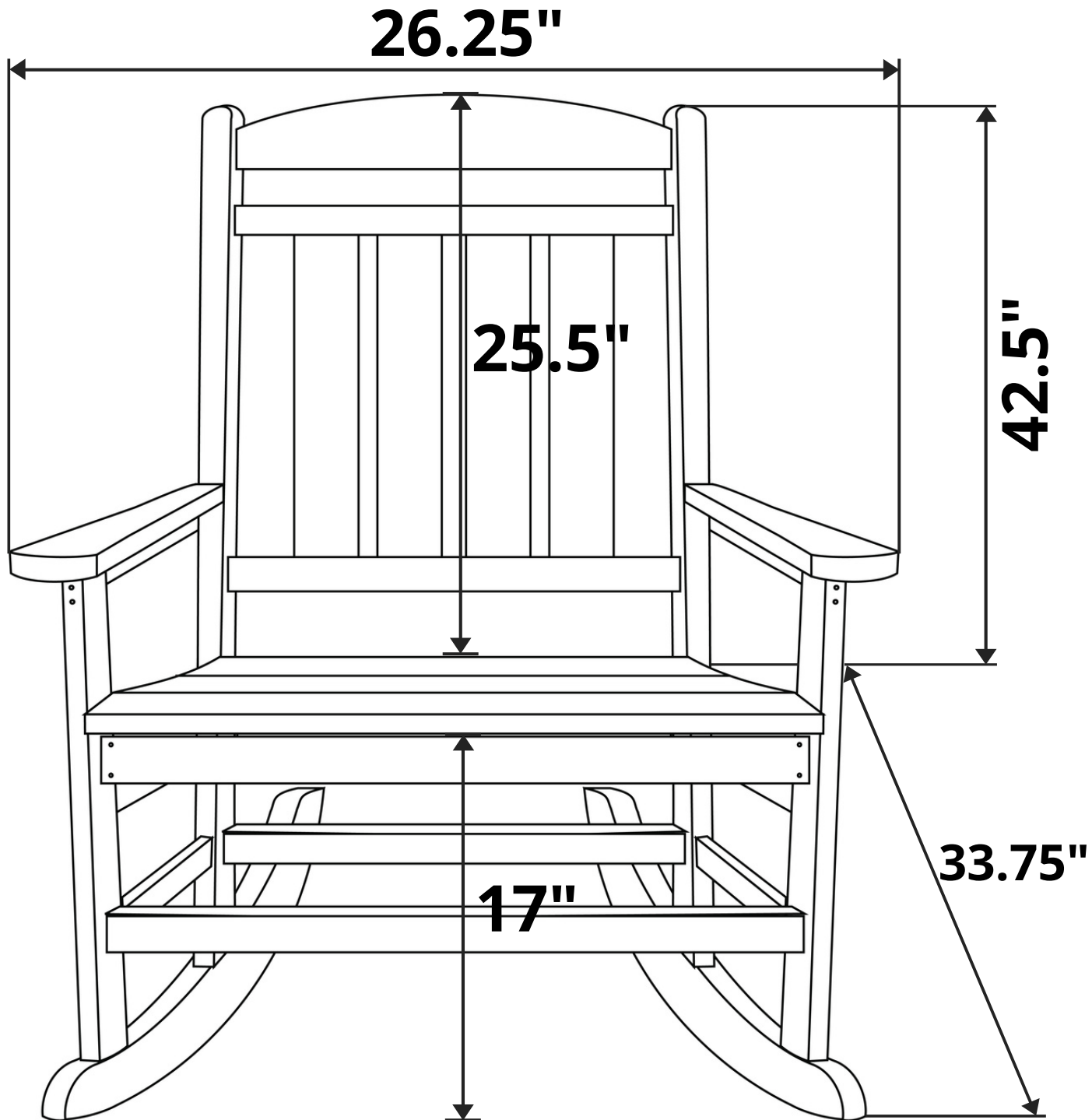


POLYWOOD Presidential Recycled Plastic Rocking Chair
Length Option: 2 Foot



Recommended Seat Cushion Size: 20x19 in.
Product Weight: 37 lbs
Weight Capacity: 350 lbs