



PIT MOUNTED TENSION DEVICE



www.delcoelevator.com
info@delcoelevator.com | 1-866-900-3727

CONTENTS

1. General Specifications.....	3
2. Packing list.....	4
3. Structural Diagram.....	5
4. Method of installation.....	6
5. Main technical parameter.....	8
6. Maintenance.....	9
Appendix 1.....	10
7. How to order.....	10

Tension Device

Delco's non-proprietary tension device is designed for use with Delco universal elevator governors.



General Specifications

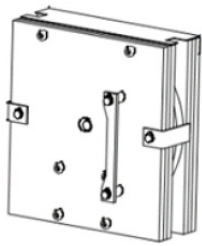
Rated Speed Range	100 - 500 FPM; (0.50 - 2.54 m/s)
Sheave Pitch Diameter	11.6 inch; (296mm)
Rope Diameter	8mm OR 9.5 mm
Rope Type	Traction Steel 8X19
Tension Force	123.6 Lbf; (550N)
Slack rope switch	Yes
Installation	Configurable for left and right
Protective Cover	YES
Shipping weight	143.3 lbs; (65 kg)

Slack Rope Switch Specification

Switch Part Number	LX26-UKS
Frequency	50/60 Hz
Rating	24 V - 1 A; 220 V - 4 A; 380 V - 2.5 A
Ambient Temperature	6 °C ~45 °C
IP Rating	IP67

2. Packing List

1. Tension Device X 1
2. Mounting bracket X 1
3. Switch (including bolts) X 1
4. Expansion bolt X 2
5. Rope connector X 1



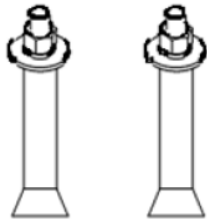
Tension Device



Mounting Bracket



Switch
(including bolts)



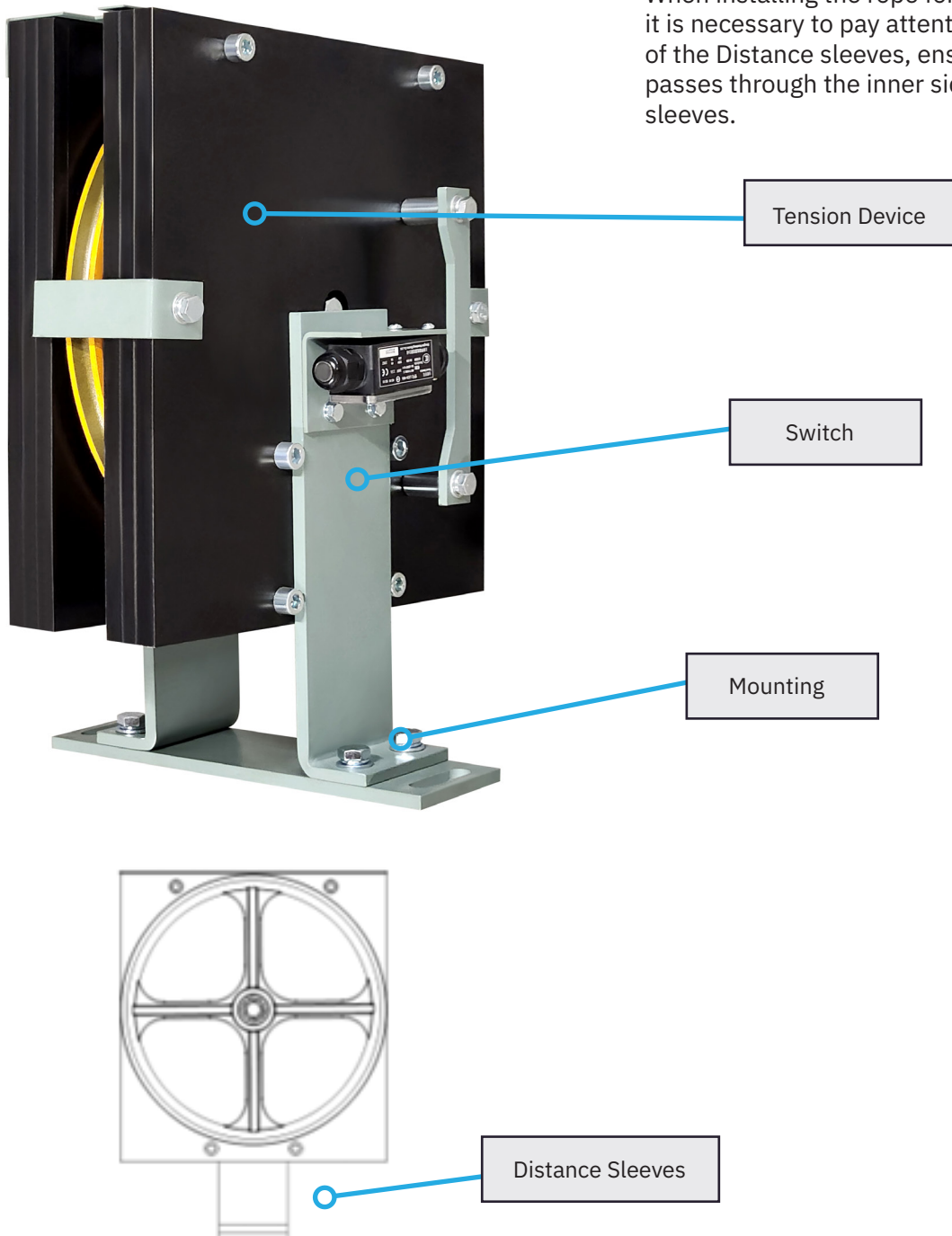
Expansion Bolts
M12 * 110 X2



Rope Connector

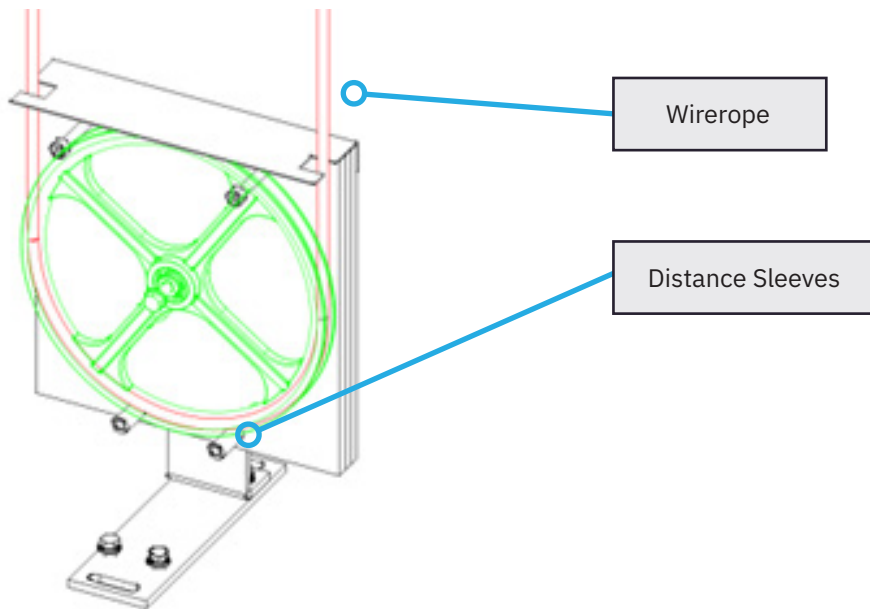
3. Structural Diagram

When installing the rope for TENSION DEVICE, it is necessary to pay attention to the position of the Distance sleeves, ensure that the rope passes through the inner side of the Distance sleeves.

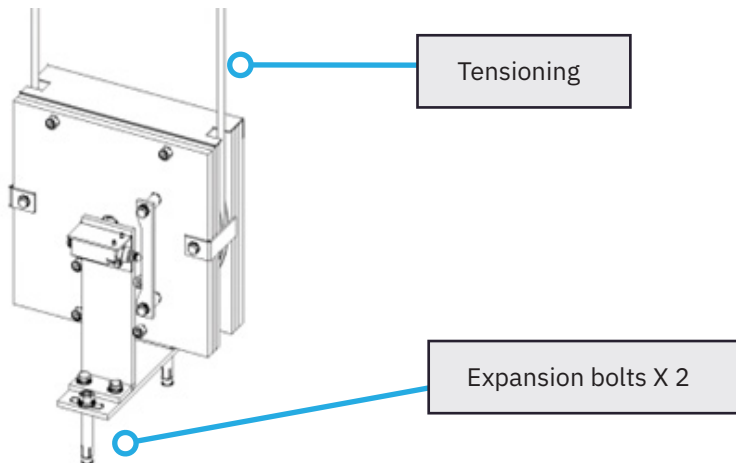


4. Method of Installation

1. Install the Governor rope.
Pay attention to the position of the Distance sleeves during installation.

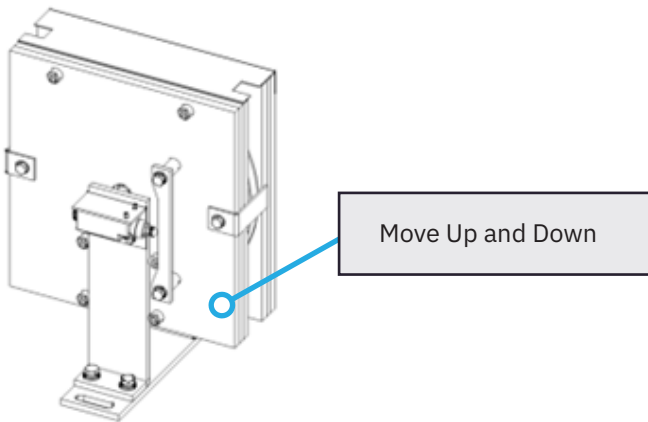


2. Adjust the position of the Tension Device so that the Governor rope is perpendicular to the ground. After adjustment, use Expansion bolts to fix the Mounting bracket to the ground.

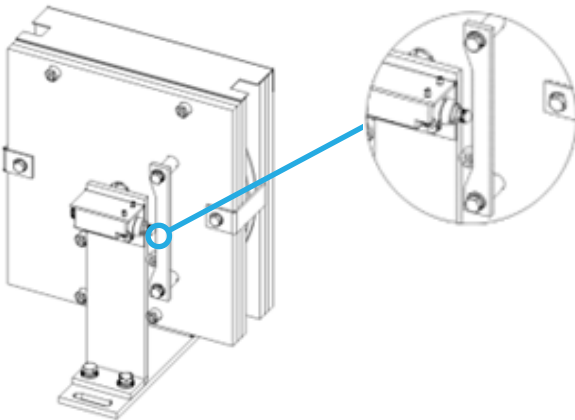


TENSION DEVICE

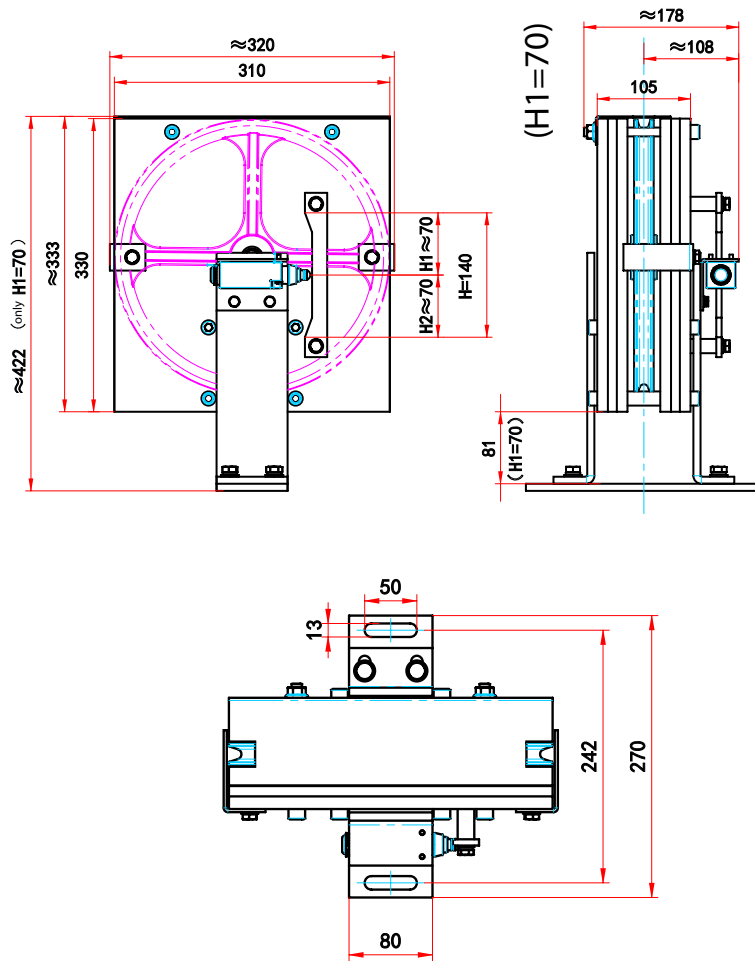
3. Install the Switch, then check if the Tension Device can move up and down flexibly within Mounting bracket, and make sure that the Switch can be reliably triggered.



4. Adjusting the length of the Governor rope through the Rope connector involves aligning the Switch contacts with the middle position of the Trigger plate.



5. Main Technical Parameter



Type	Wire rope diameter (mm)	Rope wheel pitch diameter (mm)	Lifting height H (m)	Tensioning force (N)
ZDXS300	Φ8/Φ9.5	Φ294	≤120	550

5. Maintenance

1. The period is according to the TSG T5002-2017 to deal with "Half-moon maintenance contents and requirements", "Quarter maintenance contents and requirements", "Biannual maintenance contents and requirements", "Annual maintenance contents and requirements".
2. Remove the protective cover and check whether there is any oil stain and impurities attached in the rope groove. If the attachments are too high, clean them in time.
3. Check whether there are dust and foreign matters on all parts of the Tension device. If so, please clean them with a fine brush.
4. Observe whether the components of the Tension device are obviously deformed or worn. If so, please contact the manufacturer to assess whether it can be used continuously.
5. Check whether the steel wire rope of Tension device is bent, deformed or broken.
6. Check whether the function of the switch is normal, whether the rod is flexible and whether it is bent.
7. The products should be placed in a dry and ventilated room, and the bottom should be supported on the base, and it shall not be stored in the open air.
8. Keep for more than 6 months, should re-check whether unpacking intact.

Appendix: switch parameters

Technical requirement:

1. Switch part number: LX26-UKS
2. Manufacture: Shanghai Huasheng Electric Co. Ltd.
3. Contact type: 1NO - normal open spring loaded
4. Frequency: 50/60 Hz
5. Rating: 24 V -1 A ;220 V- 4 A;380 V - 2.5A
6. Ambient Temperature: +6°C to +45°C
7. IP Rating: IP67 certified by CCC and CE
8. Contact material: Ag/Cu Silver copper composite
9. Mechanical parameters:
 - Actuating Force: 5~25N.
 - Trip: 9.5±1mm
 - Disconnect travel: 5mm

HOW TO ORDER

Delco services elevator contractors and OEMs in Canada, the Caribbean and the US, including Puerto Rico and Hawaii.

We'd love to hear from you and give you a quote on your next project. **Call, email or visit us today!**

OFFICE & WAREHOUSE CANADA
#205-3765 1st Avenue
Burnaby, BC V5C 3V8

WAREHOUSE USA
2302 West Valley Highway North,
Suite 300, Auburn, WA 98001

Phone: 1.604.904.3727 - CAN/USA
Toll Free: 1.866.900.3727
Email: info@delcoelevator.com
www.delcoelevator.com

We look forward to welcoming you to our family of customers and friends.