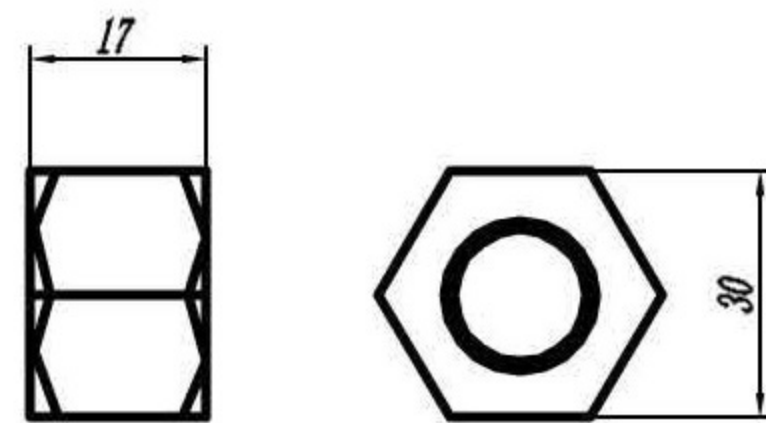
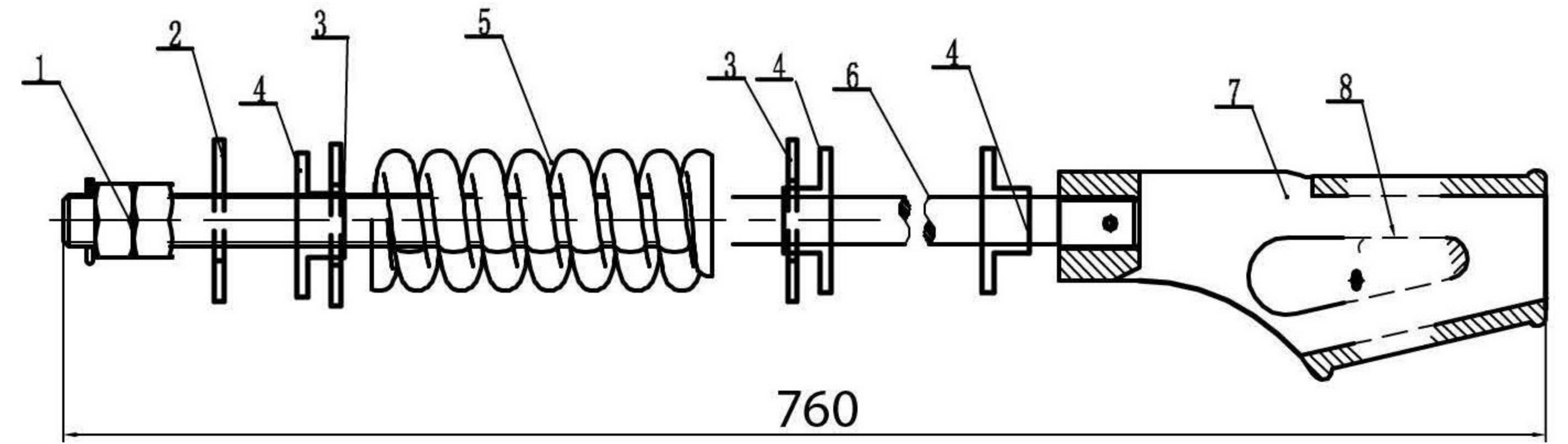
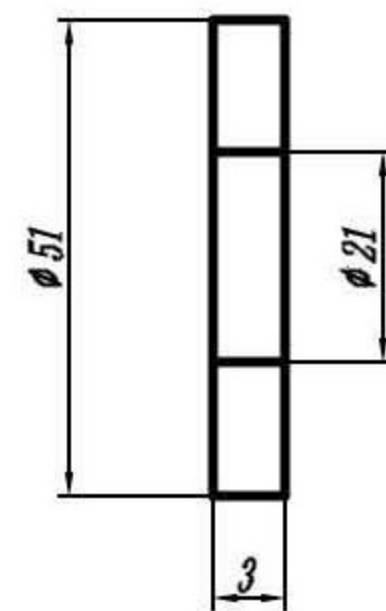


Delco 5/8" x 30" Shackles

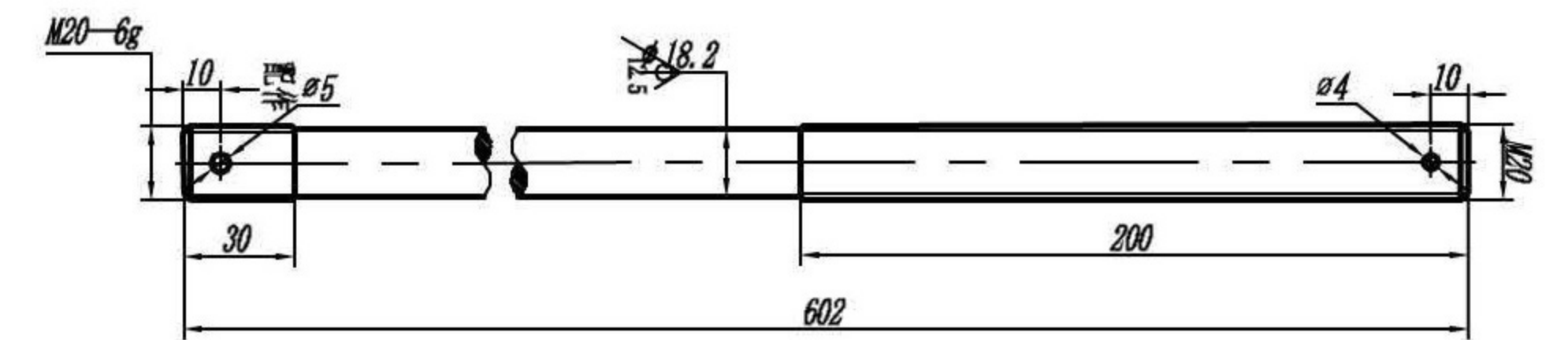
1. 5/8" (Ø16) rope size 8x19S+FC
2. According to CI, 2.20.9.5.1=80% of 23000 lbs. = 18400 lbs. for 5/8" Assy



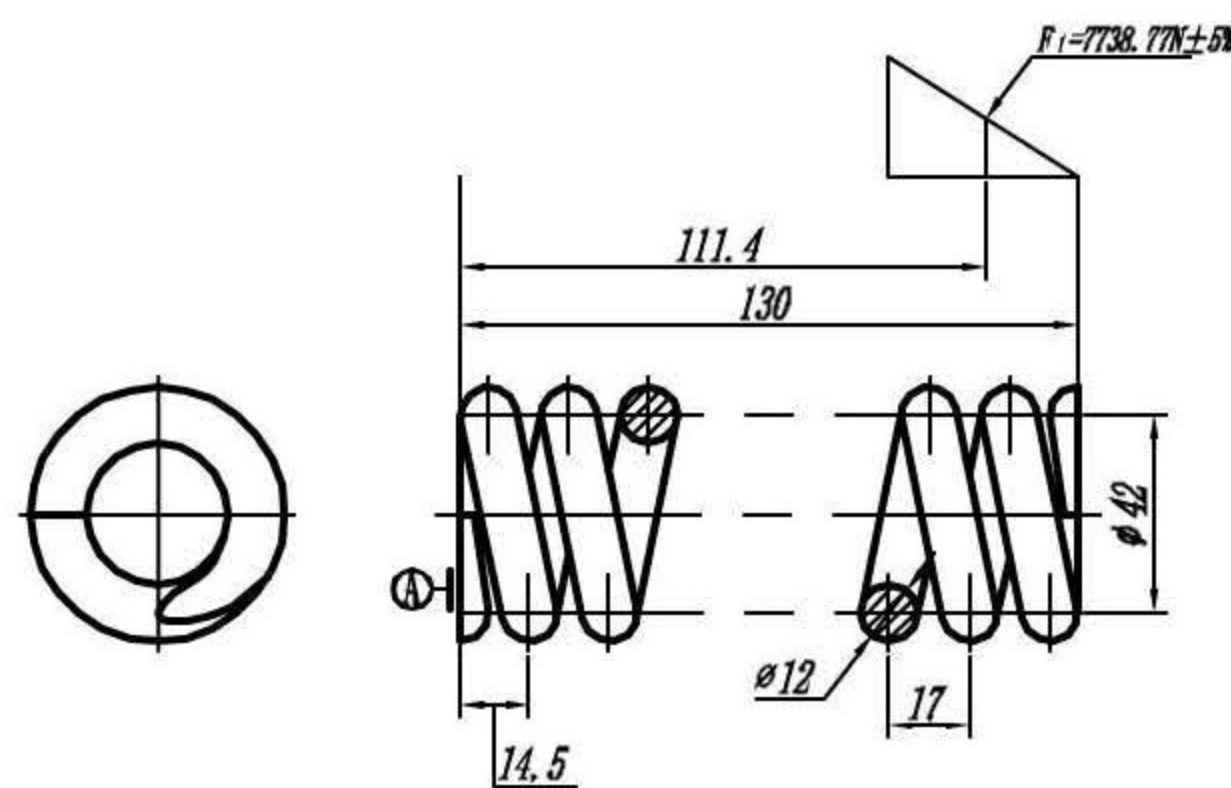
(1) M20 Nut



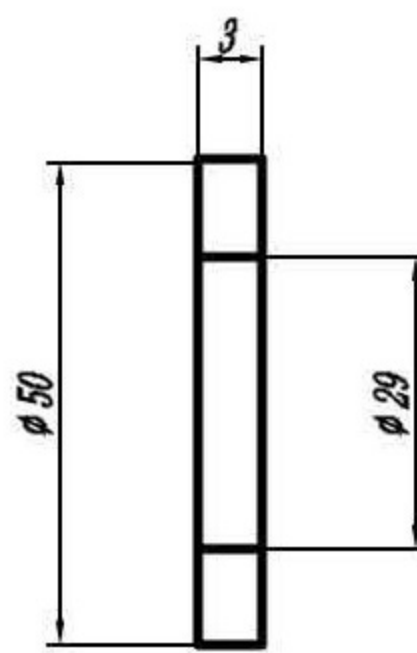
(2) M20 Washer



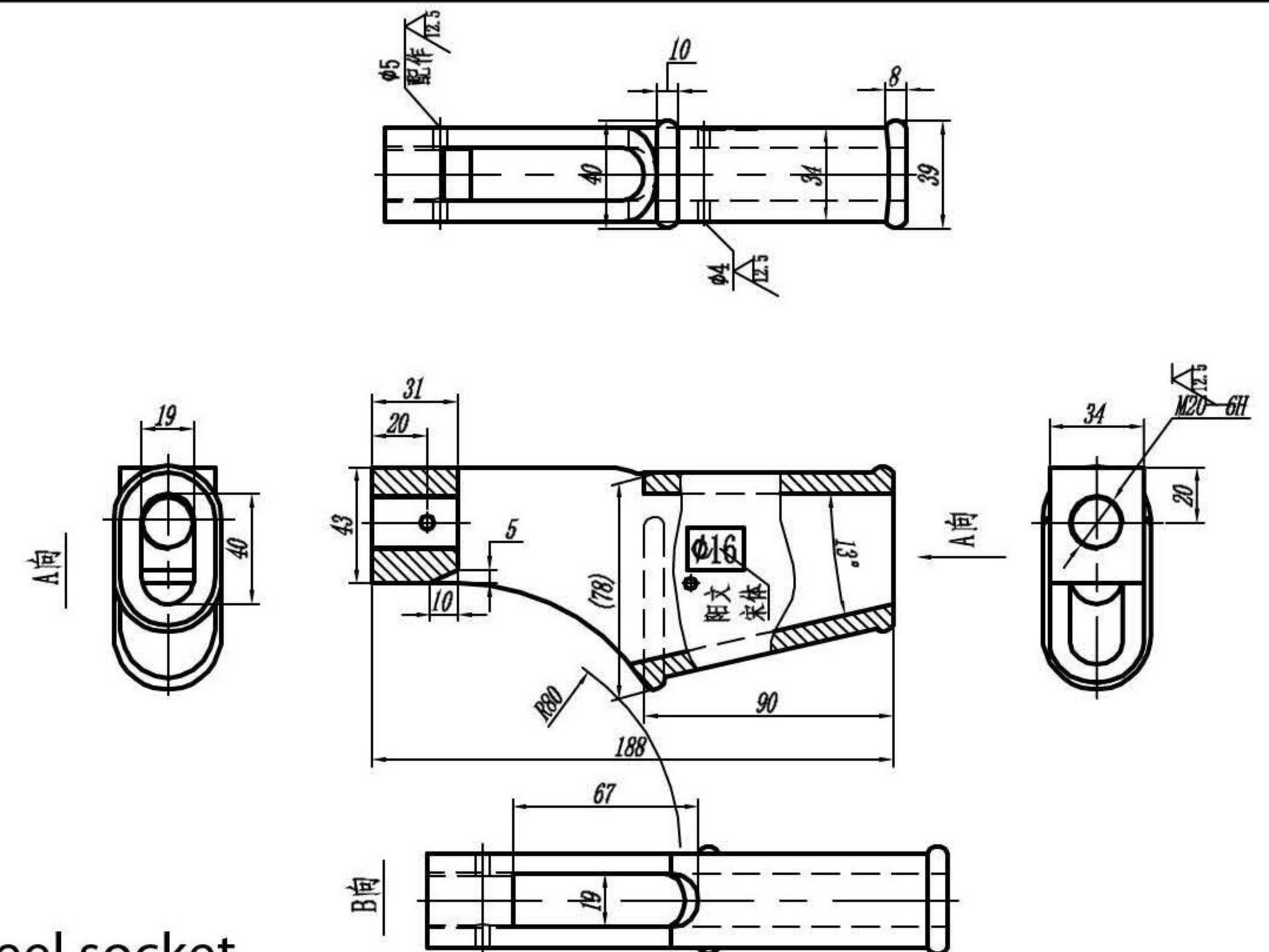
(6) M20 threaded shaft



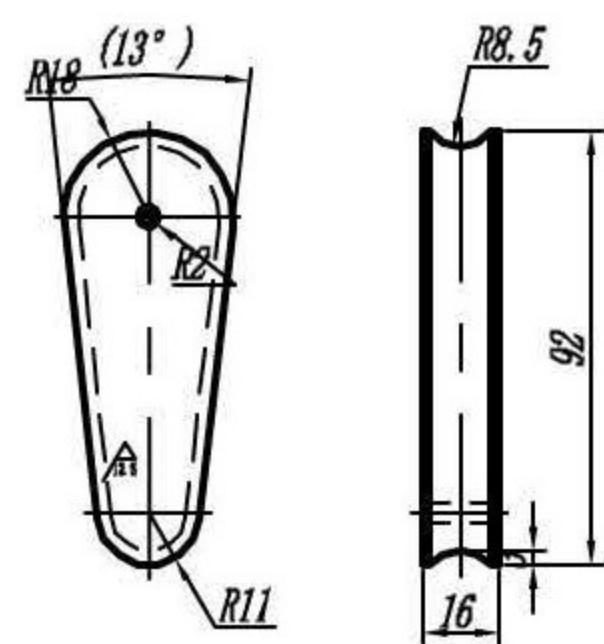
(5) Spring



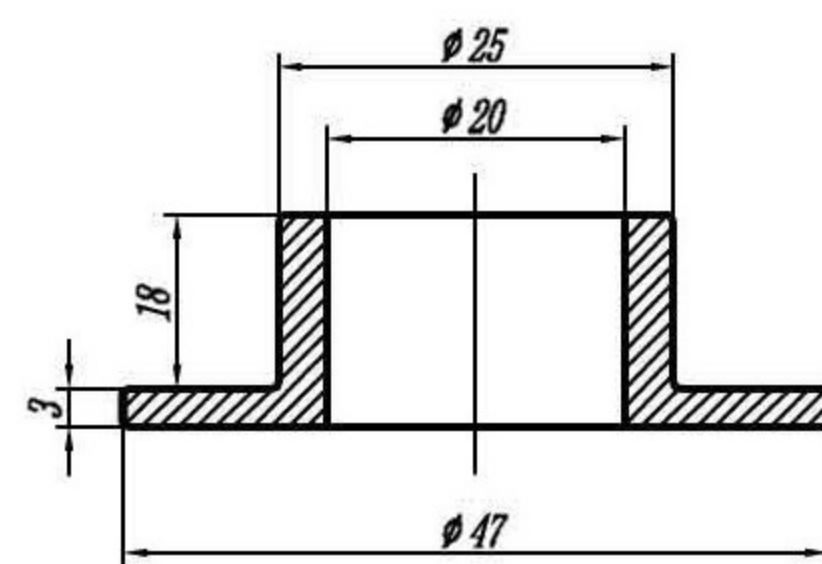
(3) M30 Washer



(7) Cast steel socket



(8) 5/8" (Ø16) Wedge



(4) Grommet/ Bushing

Shackle 5/8" (Ø16) long
(aprox. 22"rod. 30" total length)



1-866-900-3727
www.delcoelevator.com