

# SEKHMET®

## Digital Pressure Gauge 25mm std User's Manual

### KEY FEATURES

- Incredible Accuracy: down to 1 bar
- Precision: +/-0.25%
- Super fast reaction time of 0.1 seconds
- 25mm diameter, compact size suitable for more PCP
- 0.63" LCD screen
- Rechargeable, more ECO friendly
- Long battery life, one charge can be used for 6 months
- 5-level real-time power display with low-power reminder

### TYPICAL USES

- Internal/External Regulator
- Adjustable Regulator
- Main Chamber/Pressure Tank
- Portable compressor equipment



**SEKHMET®**  
Champion's Choice

1/10

### NAME & FUNCTION OF EACH PART



- Display Screen: Shows pressure in bar & battery level with battery icon
- Touch Buttons: Whole area can be touched
- Power Supply: Magnetic charging connector to USB cable
- Snubber: To protect pressure sensors and pressure gauges against pressure surges, if it is loose, use a flat-blade screwdriver to tighten it
- Vent Hole: Explosion-proof, **DO NOT** block this hole.

**SEKHMET®**  
Champion's Choice

2/10

### ! SAFETY PRECAUTION

To ensure operator safety, use this instrument in conformance with the directions and specifications given in this User's Manual.


### ! WARNING

Degassing your air rifle before installation. Make sure the airgun is unloaded, uncocked, ON SAFE and pointed in a safe direction.

### ! IMPORTANT

Using Pom/ PTFE/Rubber gaskets could possibly block the air inlet due to over-tightening, which may cause the gauge to read ZERO. Please make sure the air inlet is clear.

### ■ Warranty Information & Contact Details

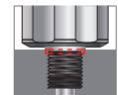
 2-year warranty. If you encounter any problems, please contact: [sekhmetairgun@gmail.com](mailto:sekhmetairgun@gmail.com)

**SEKHMET®**  
Champion's Choice

3/10

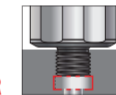
### INSTALLATION

- Loose the original gauge and remove it from your air rifle, keep the original seal component as much as possible.
- If the original seal is used, **DO NOT** use the Sekhmet seal again. If the original seal is lost or damaged, there are two kinds of seal components you can choose from the Sekhmet box. \*If the Sekhmet seals are used, ensure that the original seals have been thoroughly removed and clean the threads before installation.



Sealing at the TOP of the thread, use Dowty seal

OR



Sealing at the END of the thread, use PTFE and rubber gaskets

- After aligning the gauge with the threaded fitting, rotate it to the end and apply a certain amount of force as needed to ensure that the gauge is fully seated against the seal. Use a wrench to turn the gauge hex face, avoid compressing the panel, and **DO NOT** overtighten the gauge, which may cause scratches or damage to the surface or panel.

**SEKHMET®**  
Champion's Choice

4/10

### OPERATION

The pressure gauge only has a one-touch button and has three interactive states:

- Power ON: Short touch, the upper left corner displays the barometric pressure reading in real-time with the unit bar.



- Battery Indicator: When the screen is on, long touch the area (less than 5 seconds) to switch from the pressure display to the battery display, the battery symbol lights up in the upper right corner, indicating the current battery range with 100%, 60%, 20%, 5%, and Lo 5 levels. Release the button to return to the pressure display interface. \*\* If held for more than 5 seconds, it will trigger a shutdown.
- Power OFF: Long touch for more than 5 seconds to shut down
- Auto Power off: It will automatically turn off after 1 minute;

**SEKHMET®**  
Champion's Choice

5/10



When the actual battery level is between 100-60%, the battery level display shows 100.



When the actual battery level is between 60-20%, the battery level display shows 60.



When the actual battery level is between 20-5%, the battery level display shows 20.



When the actual battery level is below 5%, the battery icon and the battery level display shows 5 will blink three times, reminding you to charge.



When the actual battery level approaches 0%, the battery icon and "Lo" will blink three times, and the gauge will automatically turn off. Please charge it in time.

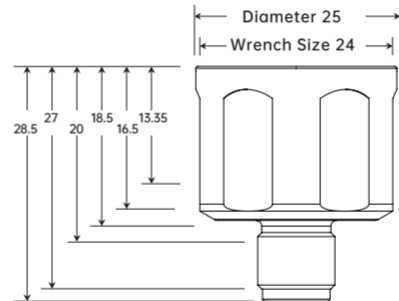
### CHARGING INSTRUCTIONS

- When the gauge is turned on, after the magnetic charging port is connected to the USB charging cable, the pressure display mode will automatically switch to the battery display mode, displaying the current battery level.
- The screen will automatically turn off after 1 minute. It is recommended to continue charging for another 15 minutes after the battery level reaches 100%, to ensure that the battery is fully charged.
- When the gauge is turned off, after the magnetic charging port is connected to the USB charging cable, the screen will not wake up automatically. Please wake-up the gauge by short touch to check if the device is charging.
- Note: The battery is fully charged in approximately 60 minutes from 0% to 100%.

### SPECIFICATION

|                             |  |
|-----------------------------|--|
| Pressure Range              | 15-300 bar   |
| Accuracy                    | ±0.25% FS over 10°C ~ 40°C<br>±0.5% FS over -10°C ~ 80°C |
| Sampling Rate               | 10 HZ  |
| Repeatability               | Better than 0.5%   |
| Ingress Protection          | IP4  |
| Display                     | 0.63" LCD  |
| Thread                      | 1/8 BSPP   |
| Operating temperature Range | -5°C ~ 40°C  |

### MEASUREMENT (mm)



### FAQ:

- Leakage:** If the pressure gauge loses more than 10 bar of pressure within 12 hours in a constant temperature state after replacing the Sekhmet pressure gauge, consider whether the sealing ring used in the pressure gauge is installed correctly. If it is confirmed that the installation is correct but there is no leakage point, you can use a balloon to wrap the pressure gauge to observe whether the balloon gradually expands.
- Note:** the pressure gauge is waterproof and not water-resistant. Do NOT immerse it in water to observe bubbles.
- Unable to Turn On:** After receiving the gauge for the first time, charge it for 1 hour to ensure that the battery is full. If it still can not turn on after 2 hours of charging, please contact Sekhmet official customer service or the dealer where you purchased it promptly. Do NOT open the pressure gauge panel yourself, as this may be dangerous.

All specifications are subject to change without notice.  
All sales subject to standard terms and conditions.  
©2023 ORI Design Inc.

sekhmetonline.com  
sekhmetairgun@gmail.com