



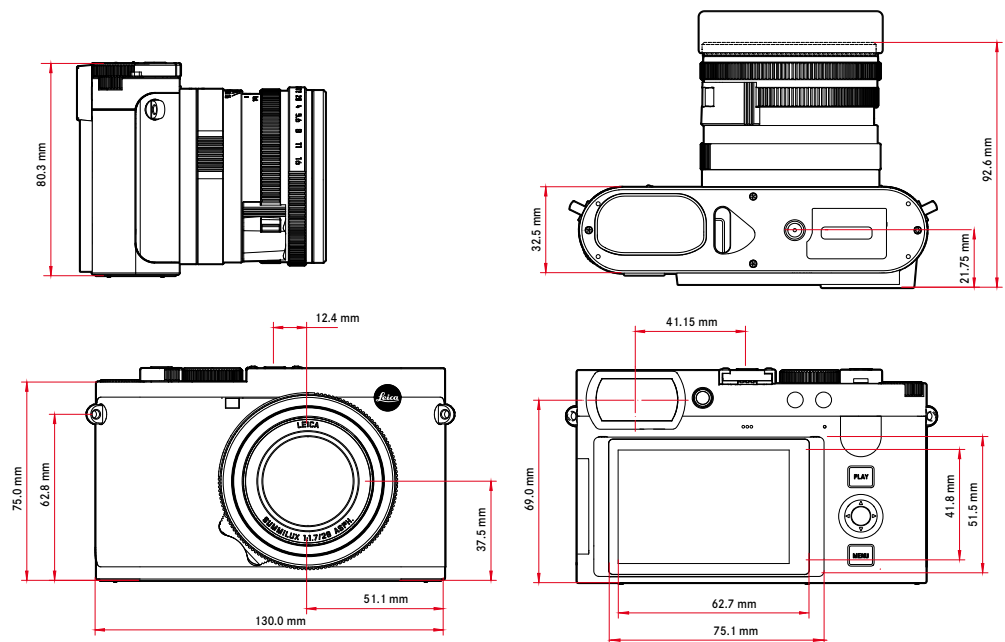
# LEICA Q3

## Technical Data.



<b>Designation</b>	<b>Leica Q3</b>																								
Camera type	Digital 35 mm compact camera																								
Type No.	6506																								
Order No.	19 080 EU/US/CN, 19 081 JP, 19 082 ROW																								
Buffer memory	8 GB Capacity, depending on frame rate and picture format, estimated quantity (number of possible images in the buffer memory)																								
	<table border="1"> <thead> <tr> <th></th> <th>DNG</th> <th>DNG + JPG</th> <th>JPG</th> </tr> </thead> <tbody> <tr> <td>15 fps</td> <td>63</td> <td>63</td> <td>67</td> </tr> <tr> <td>9 fps</td> <td>70</td> <td>66</td> <td>76</td> </tr> <tr> <td>7 fps</td> <td>74</td> <td>69</td> <td>83</td> </tr> <tr> <td>4 fps</td> <td>83</td> <td>72</td> <td>104</td> </tr> <tr> <td>2 fps</td> <td>164</td> <td>88</td> <td>947</td> </tr> </tbody> </table>		DNG	DNG + JPG	JPG	15 fps	63	63	67	9 fps	70	66	76	7 fps	74	69	83	4 fps	83	72	104	2 fps	164	88	947
	DNG	DNG + JPG	JPG																						
15 fps	63	63	67																						
9 fps	70	66	76																						
7 fps	74	69	83																						
4 fps	83	72	104																						
2 fps	164	88	947																						
Storage medium	UHS-II (recommended), UHS-I, SD/SDHC/SDXC memory card																								
Material	Full metal housing: magnesium die-cast, leather covering, protection type IP52																								
Operating conditions	0°C to +40°C																								
Interfaces	ISO accessory shoe with additional control contacts for Leica flash units, HDMI jack Type D, USB 3.1 Gen 2 Type C up to 10 Gbps																								
Tripod thread	A 1/4 DIN 4503 (1/4") with stainless steel in the base																								

### Dimensions



Weight	Approx. 743 g/658 g (with/without battery)
--------	--



## Sensor

Sensor size CMOS sensor, 62.39 MP/60.3 MP (total/effective)

Processor Leica Maestro series (Maestro IV)

Filter RGB color filter, UV/IR filter, no low-pass filter

File formats Photo: DNG™ (raw data), DNG + JPG, JPG (DCF 2.0, Exif 2.31)  
Video:

MP4	h.265	AAC	48 kHz/16 bit
	h.264	AAC	48 kHz/16 bit
MOV	h.265	LPCM	28 kHz/24 bit
	h.264	LPCM	28 kHz/24 bit
	ProRes	LPCM	28 kHz/24 bit

Image resolution	DNG™	9520 x 6336 pixels (60.3 MP) 7404 x 4928 pixels (36.5 MP) 5288 x 3518 pixels (18.6 MP)
	JPG	9520 x 6336 pixels (60.3 MP)
		7392 x 4928 pixels (36.4 MP)
5280 x 3512 pixels (18.5 MP)		

File size DNG™: approx. 70 MB, depending on resolution and image content  
JPG: depending on resolution and image content  
Video: max. length: 29 min

Color depth DNG™: 14 bit  
JPG: 8 bit

Color space Photo: sRGB

	RESOLUTION
C8K (17:9)	8192 x 4320
8K (16:9)	7680 x 4320
C4K (17:9)	4096 x 2160
4K (16:9)	3840 x 2160
Full HD (16:9)	1920 x 1080

## Video frame rate/bit rate

MOV C8K				
MOV C8K (recording to SD)				
29.97fps	C8K 4:2:0 / 10bit	h.265	L-GOP	300 Mbps
25.00fps	C8K 4:2:0 / 10bit	h.265	L-GOP	300 Mbps
24.00fps	C8K 4:2:0 / 10bit	h.265	L-GOP	300 Mbps
23.98fps	C8K 4:2:0 / 10bit	h.265	L-GOP	300 Mbps
MOV C8K (HDMI output without HLG/L-Log and without recording to SD)				
29.97fps	8K 4:2:0/8bit	h.265	L-GOP	300 Mbps
25.00fps	8K 4:2:0/8bit	h.265	L-GOP	300 Mbps
24.00fps	8K 4:2:0/8bit	h.265	L-GOP	300 Mbps
23.98fps	8K 4:2:0/8bit	h.265	L-GOP	300 Mbps
MOV C8K (HDMI output with HLG/L-Log or during recording to SD)				
29.97fps	C4K 4:2:2/10bit	h.265	L-GOP	300 Mbps
25.00fps	C4K 4:2:2/10bit	h.265	L-GOP	300 Mbps
24.00fps	C4K 4:2:2/10bit	h.265	L-GOP	300 Mbps
23.98fps	C4K 4:2:2/10bit	h.265	L-GOP	300 Mbps
MOV 8K				
MOV 8K (recording to SD)				
29.97fps	8K 4:2:0/10bit	h.265	L-GOP	300 Mbps
25.00fps	8K 4:2:0/10bit	h.265	L-GOP	300 Mbps
24.00fps	8K 4:2:0/10bit	h.265	L-GOP	300 Mbps
23.98fps	8K 4:2:0/10bit	h.265	L-GOP	300 Mbps
MOV 8K (HDMI output without HLG/L-Log and without recording to SD)				
29.97fps	8K 4:2:0/8bit	h.265	L-GOP	300 Mbps
25.00fps	8K 4:2:0/8bit	h.265	L-GOP	300 Mbps
24.00fps	8K 4:2:0/8bit	h.265	L-GOP	300 Mbps
23.98fps	8K 4:2:0/8bit	h.265	L-GOP	300 Mbps
MOV 8K (HDMI output with HLG/L-Log or during recording to SD)				
29.97fps	4K 4:2:2/10bit	h.265	L-GOP	300 Mbps
25.00fps	4K 4:2:2/10bit	h.265	L-GOP	300 Mbps
24.00fps	4K 4:2:2/10bit	h.265	L-GOP	300 Mbps
23.98fps	4K 4:2:2/10bit	h.265	L-GOP	300 Mbps



MOV C4K				
59.94 fps	4:2:2 / 10 bit (SD & HDMI)	h.264	ALL-I	600 Mbps
50.00 fps	4:2:2 / 10 bit (SD & HDMI)	h.264	ALL-I	600 Mbps
48.00 fps	4:2:2/10 bit (SD)	h.264	ALL-I	600 Mbps
24.00 fps	4:2:2 / 10 bit (HDMI)			
47.95 fps	4:2:2/10 bit (SD)	h.264	ALL-I	600 Mbps
23.98 fps	4:2:2 / 10 bit (HDMI)			
29.97 fps	4:2:2 / 10 bit (SD & HDMI)	h.264	ALL-I	400 Mbps
25.00 fps	4:2:2 / 10 bit (SD & HDMI)	h.264	ALL-I	400 Mbps
24.00 fps	4:2:2 / 10 bit (SD & HDMI)	h.264	ALL-I	400 Mbps
23.98 fps	4:2:2 / 10 bit (SD & HDMI)	h.264	ALL-I	400 Mbps
MOV 4K				
59.94 fps	4:2:2 / 10 bit (SD & HDMI)	h.264	ALL-I	600 Mbps
50.00 fps	4:2:2 / 10 bit (SD & HDMI)	h.264	ALL-I	600 Mbps
48.00 fps	4:2:2/10 bit (SD)	h.264	ALL-I	600 Mbps
24.00 fps	4:2:2 / 10 bit (HDMI)			
47.95 fps	4:2:2/10 bit (SD)	h.264	ALL-I	600 Mbps
23.98 fps	4:2:2 / 10 bit (HDMI)			
29.97 fps	4:2:2 / 10 bit (SD & HDMI)	h.264	ALL-I	400 Mbps
25.00 fps	4:2:2 / 10 bit (SD & HDMI)	h.264	ALL-I	400 Mbps
24.00 fps	4:2:2 / 10 bit (SD & HDMI)	h.264	ALL-I	400 Mbps
23.98 fps	4:2:2 / 10 bit (SD & HDMI)	h.264	ALL-I	400 Mbps
MOV FHD				
119.88 fps	4:2:2 / 10 bit (SD & HDMI)	h.264	ALL-I	400 Mbps
100.00 fps	4:2:2 / 10 bit (SD & HDMI)	h.264	ALL-I	400 Mbps
59.94 fps	4:2:2 / 10 bit (SD & HDMI)	h.264	ALL-I	200 Mbps
50.00 fps	4:2:2 / 10 bit (SD & HDMI)	h.264	ALL-I	200 Mbps
48.00 fps	4:2:2/10 bit (SD)	h.264	ALL-I	200 Mbps
24.00 fps	4:2:2 / 10 bit (HDMI)			
47.95 fps	4:2:2/10 bit (SD)	h.264	ALL-I	200 Mbps
23.98 fps	4:2:2 / 10 bit (HDMI)			
29.97 fps	4:2:2 / 10 bit (SD & HDMI)	h.264	ALL-I	200 Mbps
25.00 fps	4:2:2 / 10 bit (SD & HDMI)	h.264	ALL-I	200 Mbps
24.00 fps	4:2:2 / 10 bit (SD & HDMI)	h.264	ALL-I	200 Mbps
23.98 fps	4:2:2 / 10 bit (SD & HDMI)	h.264	ALL-I	200 Mbps
MOV FHD Slow Motion				
Sensor: 119.88 fps	4:2:0 / 10 bit (SD & HDMI)	h.265	L-GOP	100 Mbps
Recording/Playback: 29.97 fps				
Sensor: 100.00 fps	4:2:0 / 10 bit (SD & HDMI)	h.265	L-GOP	100 Mbps
Recording/Playback: 25.00 fps				
MOV FHD ProRes				
59.94 fps	422HQ	ProRes		454 Mbps
50.00 fps	422HQ	ProRes		378 Mbps
29.97 fps	422HQ	ProRes		227 Mbps
25.00 fps	422HQ	ProRes		189 Mbps
24.00 fps	422HQ	ProRes		182 Mbps
23.98 fps	422HQ	ProRes		181 Mbps
MP4 8K				
MP4 8K (recording to SD)				
29.97 fps	8K 4:2:0/10 bit	h.265	L-GOP	300 Mbps
25.00 fps	8K 4:2:0/10 bit	h.265	L-GOP	300 Mbps
23.98 fps	8K 4:2:0/10 bit	h.265	L-GOP	300 Mbps
MP4 8K (HDMI output without recording to SD)				
29.97 fps	8K 4:2:0/8 bit	h.265	L-GOP	300 Mbps
25.00 fps	8K 4:2:0/8 bit	h.265	L-GOP	300 Mbps
23.98 fps	8K 4:2:0/8 bit	h.265	L-GOP	300 Mbps
MP4 8K (HDMI output during recording to SD)				
29.97 fps	4K 4:2:2/10 bit	h.265	L-GOP	300 Mbps
25.00 fps	4K 4:2:2/10 bit	h.265	L-GOP	300 Mbps
23.98 fps	4K 4:2:2/10 bit	h.265	L-GOP	300 Mbps
MP4 4K				
59.94 fps	4:2:0 / 10 bit (SD & HDMI)	h.265	L-GOP	100 Mbps
50.00 fps	4:2:0 / 10 bit (SD & HDMI)	h.265	L-GOP	100 Mbps
29.97 fps	4:2:0 / 8 bit (SD & HDMI)	h.264	L-GOP	100 Mbps
25.00 fps	4:2:0 / 8 bit (SD & HDMI)	h.264	L-GOP	100 Mbps
23.98 fps	4:2:0 / 8 bit (SD & HDMI)	h.264	L-GOP	100 Mbps
MP4 FHD				
59.94 fps	4:2:0 / 8 bit (SD & HDMI)	h.264	L-GOP	28 Mbps
50.00 fps	4:2:0 / 8 bit (SD & HDMI)	h.264	L-GOP	28 Mbps
29.97 fps	4:2:0 / 8 bit (SD & HDMI)	h.264	L-GOP	20 Mbps
25.00 fps	4:2:0 / 8 bit (SD & HDMI)	h.264	L-GOP	20 Mbps
23.98 fps	4:2:0 / 8 bit (SD & HDMI)	h.264	L-GOP	24 Mbps



## Lens

Designation	Leica Summilux 28 f/1.7 ASPH., 11 lenses in 9 segments, 3 aspherical lens areas
Lens filter thread	E49
Digital zoom	Optionally approx. 1.25x (equivalent to 35 mm), approx. 1.8x (equivalent to 50 mm), approx. 2.7x (equivalent to 75 mm), or approx. 3.2x (equivalent to 90 mm)
Image stabilization	Visual compensation system for photos and video recordings
Aperture range	F1.7 to F16 in 1/3EV increments

## Viewfinder/LCD panel

Viewfinder (EVF)	Resolution: 5,760,000 dots, 120 fps, magnification: 0.79x at aspect ratio: 4:3 / 0.76x at aspect ratio: 3:2, frame coverage: 100%, exit pupil position: 20.75 mm, setting range -4/+2 dpt, with eye sensor for automatic switchover between viewfinder and LCD panel, time delay 0.005 s
LCD panel	3" TFT LCD, approx. 1,843,200 dots, 384 ppi, aspect ratio 3:2, touch panel

## Shutter

Shutter type	Mechanical central shutter or optional electronic shutter
Shutter speeds	Mech. shutter: 120 s to 1/2000 s Electro. shutter function: 1 s to 1/16000 s Flash Synchronization: up to 1/2000 s
Shutter button	Two-stage (1st stage: Activation of the camera electronics including autofocus and exposure metering, 2nd stage: Taking the picture)
Self-timer	Delay time: 2 s or 12 s
Drive Mode	<b>Single</b> , <b>Interval Shooting</b> , <b>Exposure Bracketing</b> Continuous shooting: - <b>Continuous - 2 fps / 14 bit / AF</b> , <b>Continuous - 4 fps / 14 bit / AF</b> : Automatic settings (exposure settings in operating modes <b>P/A/S</b> , automatic white balance and autofocus) are <b>implemented individually for each frame</b> . - <b>Continuous - 7 fps / 14 bit</b> , <b>Continuous - 9 fps / 12 bit</b> , <b>Continuous - 15 fps / 12 bit</b> : Automatic settings (exposure settings in operating modes <b>P/A/S</b> , automatic white balance and autofocus) are implemented for the first frame, and are then applied for <b>each subsequent frame</b> in the same picture series.

## Focusing

Focus range	30 cm to ∞ With macro setting: from 17 cm
Focus mode	Automatic or manual With manual setting: optional magnifying glass function ( <b>Auto Magnification</b> ) and edge marking ( <b>Focus Peaking</b> ) available as focus assist
Autofocus system	Hybrid-AF due to combination of contrast metering, depth mapping, and phase comparison metering with AF metering points in the sensor.
Autofocus modes	<b>Intelligent AF</b> (autonomously selects <b>AFs</b> and <b>AFc</b> ), <b>AFs</b> , <b>AFc</b> , AF setting can be saved, optional <b>Touch AF</b>
Autofocus metering methods	<b>Spot</b> (can be shifted), <b>Field</b> (can be shifted and scaled), <b>Multi-Field</b> , <b>Zone</b> (can be shifted), <b>Eye/Face/Body Detection</b> , <b>Eye/Face/Body + Animal Detection</b> , <b>Tracking</b>
Autofocus metering fields	315

## Exposure

Exposure metering	TTL (exposure metering through the lens), with working aperture
Metering principle	Exposure metering is done by the image sensor for all exposure metering methods (in Live View mode and in rangefinder mode)
Exposure metering methods	<b>Spot</b> , <b>Center-Weighted</b> , <b>Highlight-Weighted</b> , <b>Multi-Field</b>
Exposure modes	Program AE mode (P) Aperture-priority mode (A): manual aperture setting Shutter-priority mode (S): manual shutter-speed setting Manual (M): manual setting for shutter speed and aperture Various fully automated variants ( <b>Scene Mode</b> ): <b>AUTO</b> , <b>Sport</b> , <b>Portrait</b> , <b>Landscape</b> , <b>Night Portrait</b> , <b>Snow/Beach</b> , <b>Fireworks</b> , <b>Candlelight</b> , <b>Sunset</b> , <b>Digiscoping</b>
Exposure compensation	±3 EV in 1/3EV increments



Automatic bracketing	3 or 5 frames, graduations between shoots up to 3 EV, in 1/3 EV increments additional optional exposure compensation: up to ±3 EV										
ISO sensitivity range	<table border="1"> <thead> <tr> <th></th> <th>Photo</th> <th>Video</th> </tr> </thead> <tbody> <tr> <td>Auto ISO</td> <td>ISO 100 to ISO 100 000</td> <td>ISO 100 to ISO 100 000</td> </tr> <tr> <td>Manual</td> <td>ISO 50 to ISO 100 000</td> <td>ISO 50 to ISO 100 000</td> </tr> </tbody> </table>			Photo	Video	Auto ISO	ISO 100 to ISO 100 000	ISO 100 to ISO 100 000	Manual	ISO 50 to ISO 100 000	ISO 50 to ISO 100 000
	Photo	Video									
Auto ISO	ISO 100 to ISO 100 000	ISO 100 to ISO 100 000									
Manual	ISO 50 to ISO 100 000	ISO 50 to ISO 100 000									
White balance	Automatic (Auto), default (Daylight, Cloudy, Shadow, Tungsten, Flash), manual metering (Gray card), manual color temperature settings (Color Temperature, 2000 K to 11500 K)										

### Flash

Flash unit connector	Via the accessory shoe
Flash sync time	⬅️ : 1/2000 s, slower shutter speeds available, automatic changeover to TTL linear flash mode with HSS-compatible Leica system flash units if sync time is undercut
Flash exposure metering	Using center-weighted TTL pre-flash metering with Leica flash units (SF 26, SF 40, SF 58, SF 60, SF 64) or with system-compatible flash units, remote controlled flash SF C1
Flash exposure compensation	SF 40: ±2 EV in 1/2 EV increments SF 60: ±2 EV in 1/3 EV increments

### Equipment

Microphone	Stereo
Speaker	Mono

WLAN	WLAN function for connecting to the Leica FOTOS app. The Leica app is available from the Apple App Store™ or the Google Play Store™.		
	2.4 GHz	5 GHz	
EU/ US/ CN	IEEE802.11b/g/n: channel 1-11 (2412-2462 MHz)	Client mode: (For indoor use only) IEEE802.11a/n/ac: Channel 36-64 (5180-5320 MHz)	Access point + client mode: IEEE802.11a/n/ac: Channel 149-165 (5745-5825 MHz)
JP		Access point + client mode: (For indoor use only) IEEE802.11a/n/ac: Channel 36-48 (5180-5240 MHz)	Client mode: (For indoor use only) IEEE802.11a/n/ac: Channel 52-144 (5260-5720 MHz)
ROW			

Maximum output (e.i.r.p.): <14 dBm, encryption method: WLAN-compatible WPA™/WPA2™/WPA3™

Bluetooth	Bluetooth 5.0 LE: Channel 0-39 (2402-2480 MHz), maximum output (e.i.r.p.): 10 dBm
GPS	Not available everywhere due to country-specific legislation; can be added via the Leica FOTOS app. Data is written to Exif header of the picture files.
Menu languages	English, German, French, Italian, Spanish, Portuguese, Russian, Japanese, Traditional Chinese, Simplified Chinese, Korean

### Power supply

Rechargeable battery (Leica BP-SCL6)	Lithium-ion rechargeable battery, rated voltage: 7.2 V (DC); capacity: 2200 mAh (min.), 350 shots (based on CIPA standard, with All Displays Auto Off = 5 s); manufacturer: Panasonic Energy (Wuxi) Co. Ltd., Made in China
Charger (Leica BC-SCL4)	Input: AC 100-240 V, 50/60 Hz, 0.25 A, automatic switchover; output: DC 8.4 V 0.85 A; manufacturer: Salom Electric (Xiamen) Co., Ltd., Made in China
Charging via USB	During operation: 9 V/3 A (min. 27 W) With camera switched off: 5 V/1500 mA (2.5 W or greater)
Wireless Charging	Optimal performance with 9 V chargers (10 W Charging Pad required)
Rated values for input voltage/power	7.2 V ≙ 2.3 A (battery), 5 V ≙ 3.0 A / 9 V ≙ 2.5 A (USB)



QuickTime