



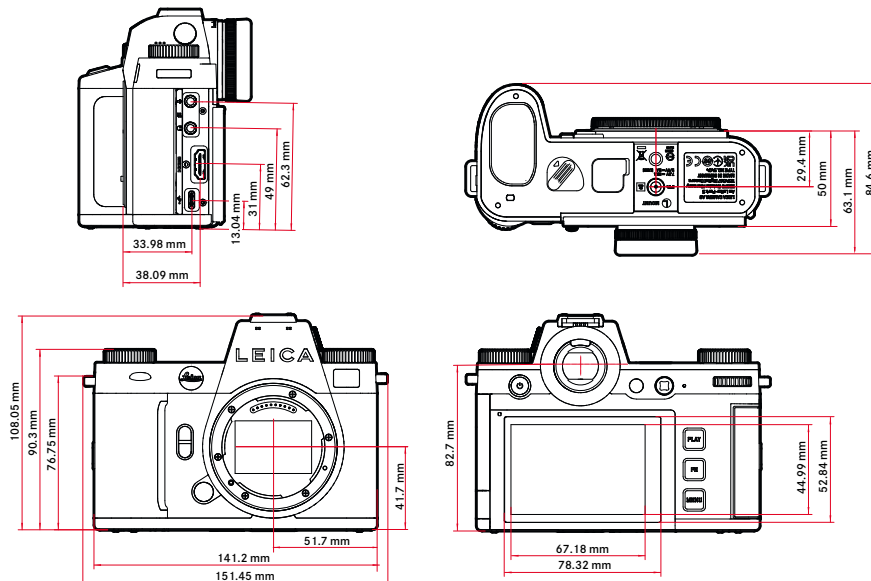
LEICA SL3

Technical Data.



Designation	Leica SL3																																
Camera type	Mirrorless full-frame system camera																																
Type No.	5404																																
Order No.	10 607 (EU/US/CN), 10 608 (JP), 10 609 (ROW)																																
Buffer memory	8 GB, capacity depends on frame rate and image format, estimated quantity (number of possible images in the buffer memory)																																
	<table border="1"> <thead> <tr> <th>Continuous Shooting</th> <th>DNG</th> <th>DNG + JPG</th> <th>JPG</th> </tr> </thead> <tbody> <tr> <td>15 fps, 12 Bit</td> <td>60 fps</td> <td>60 fps</td> <td>60 fps</td> </tr> <tr> <td>9 fps, 12 Bit</td> <td>75 fps</td> <td>65 fps</td> <td>75 fps</td> </tr> <tr> <td>7 fps, 12 Bit</td> <td>80 fps</td> <td>70 fps</td> <td>80 fps</td> </tr> <tr> <td>6 fps, 14 Bit</td> <td>90 fps</td> <td>75 fps</td> <td>90 fps</td> </tr> <tr> <td>5 fps, 12 Bit</td> <td>90 fps</td> <td>75 fps</td> <td>90 fps</td> </tr> <tr> <td>4 fps, 14 Bit, AF</td> <td>100 fps</td> <td>80 fps</td> <td>105 fps</td> </tr> <tr> <td>2 fps, 14 Bit, AF</td> <td>400 fps</td> <td>120 fps</td> <td>unlimited</td> </tr> </tbody> </table> <p>The values depend on the type of memory card used (SD or CFexpress) / Resolution</p>	Continuous Shooting	DNG	DNG + JPG	JPG	15 fps, 12 Bit	60 fps	60 fps	60 fps	9 fps, 12 Bit	75 fps	65 fps	75 fps	7 fps, 12 Bit	80 fps	70 fps	80 fps	6 fps, 14 Bit	90 fps	75 fps	90 fps	5 fps, 12 Bit	90 fps	75 fps	90 fps	4 fps, 14 Bit, AF	100 fps	80 fps	105 fps	2 fps, 14 Bit, AF	400 fps	120 fps	unlimited
Continuous Shooting	DNG	DNG + JPG	JPG																														
15 fps, 12 Bit	60 fps	60 fps	60 fps																														
9 fps, 12 Bit	75 fps	65 fps	75 fps																														
7 fps, 12 Bit	80 fps	70 fps	80 fps																														
6 fps, 14 Bit	90 fps	75 fps	90 fps																														
5 fps, 12 Bit	90 fps	75 fps	90 fps																														
4 fps, 14 Bit, AF	100 fps	80 fps	105 fps																														
2 fps, 14 Bit, AF	400 fps	120 fps	unlimited																														
Storage medium	UHS-II (recommended), UHS-I, SD/SDHC/SDXC card + CFexpress card type B (recommended)																																
Material	Magnesium and aluminum, leatherette covering, splash water protected in accordance with IEC Standard 60529 (protection type IP54)																																
Lens mount	Leica L bayonet with contact strip for communication between lens and camera																																
Operating conditions	-10 to +40 °C																																
Interfaces	ISO accessory shoe with additional control contacts, timecode interface, HDMI jack 2.1 Type A, USB 3.1 Gen1 Type C, Audio-Out 3.5 mm/Audio-In 3.5 mm, communication interface in the bottom cover for multifunction handgrip																																
Tripod thread	A 1/4 DIN 4503 (1/4") with stainless steel in the base																																

Dimensions



Weight	Approx. 769.7g (without battery, SD card, body cap)
--------	---



LEICA SL3

Sensor

Sensor size CMOS sensor, 62.39 MP/60.3 MP (total/effective)

Image stabilization 5-axis image stabilization up to 5-stops

Filter RGB color filter, UV/IR filter, no low-pass filter

Processor Leica Maestro series (Maestro IV)

File formats Photo: DNG™ (raw data), DNG + JPG, JPG (DCF 2.0, Exif 2.31)
Video:

MP4	h.265	AAC	48 kHz/16 bit
	h.264	AAC	48 kHz/16 bit
MOV	h.265	LPCM	48 kHz/24 bit
	h.264	LPCM	48 kHz/24 bit
	ProRes	LPCM	48 kHz/24 bit

Image resolution

35 mm	JPG		DNG	
L	9520x6336	60.3 MP	9520x6336	60.3 MP
M	7392x4928	36.4 MP	7404x4928	36.5 MP
S	5280x3504	18.5 MP	5288x3518	18.6 MP
APS-C	JPG		DNG	
L	6256x4160	26.0 MP	6256x4168	26.1 MP
M	4864x3232	15.7 MP	4868x3242	15.8 MP
S	3472x2304	8.0 MP	3476x2314	8.0 MP

Color depth DNG™: 14 bit (12 bit also possible depending on the continuous shooting mode), JPG: 8 bit

Color space Photo: sRGB
Video: Rec. 709/Rec. 2020 (HLG/L-Log)

File size DNG™: approx. 70 MB, depending on resolution and image content, JPG: depending on resolution and image content
Video: max. length depending on ambient temperature and available memory space

Video recording mode Video mode: P - A - S - M
Cine mode: M

Video Resolution

	RESOLUTION
C8K (17:9)	8192x4320
8K (16:9)	7680x4320
C4K (17:9)	4096x2160
4K (16:9)	3840x2160
Full HD (16:9)	1920x1080



LEICA SL3

Video frame rate

MOV C8K				
MOV C8K (recording to SD)				
29.97fps	C8K 4:2:0 / 10 bit	h.265	L-GOP	300 Mbps
25.00fps	C8K 4:2:0 / 10 bit	h.265	L-GOP	300 Mbps
24.00fps	C8K 4:2:0 / 10 bit	h.265	L-GOP	300 Mbps
23.98fps	C8K 4:2:0 / 10 bit	h.265	L-GOP	300 Mbps
MOV C8K (HDMI output without HLG/L-Log and without recording to SD)				
29.97fps	8K 4:2:0 / 8 bit	h.265	L-GOP	300 Mbps
25.00fps	8K 4:2:0 / 8 bit	h.265	L-GOP	300 Mbps
24.00fps	8K 4:2:0 / 8 bit	h.265	L-GOP	300 Mbps
23.98fps	8K 4:2:0 / 8 bit	h.265	L-GOP	300 Mbps
MOV C8K (HDMI output with HLG/L-Log or during recording to SD)				
29.97fps	C4K 4:2:2 / 10 bit	h.265	L-GOP	300 Mbps
25.00fps	C4K 4:2:2 / 10 bit	h.265	L-GOP	300 Mbps
24.00fps	C4K 4:2:2 / 10 bit	h.265	L-GOP	300 Mbps
23.98fps	C4K 4:2:2 / 10 bit	h.265	L-GOP	300 Mbps
MOV 8K				
MOV 8K (recording to SD)				
29.97fps	8K 4:2:0 / 10 bit	h.265	L-GOP	300 Mbps
25.00fps	8K 4:2:0 / 10 bit	h.265	L-GOP	300 Mbps
24.00fps	8K 4:2:0 / 10 bit	h.265	L-GOP	300 Mbps
23.98fps	8K 4:2:0 / 10 bit	h.265	L-GOP	300 Mbps
MOV 8K (HDMI output without HLG/L-Log and without recording to SD)				
29.97fps	8K 4:2:0 / 8 bit	h.265	L-GOP	300 Mbps
25.00fps	8K 4:2:0 / 8 bit	h.265	L-GOP	300 Mbps
24.00fps	8K 4:2:0 / 8 bit	h.265	L-GOP	300 Mbps
23.98fps	8K 4:2:0 / 8 bit	h.265	L-GOP	300 Mbps
MOV 8K (HDMI output with HLG/L-Log or during recording to SD)				
29.97fps	4K 4:2:2 / 10 bit	h.265	L-GOP	300 Mbps
25.00fps	4K 4:2:2 / 10 bit	h.265	L-GOP	300 Mbps
24.00fps	4K 4:2:2 / 10 bit	h.265	L-GOP	300 Mbps
23.98fps	4K 4:2:2 / 10 bit	h.265	L-GOP	300 Mbps
MOV 4K				
MOV 4K (recording to SD)				
59.94fps	4:2:2 / 10 bit (SD & HDMI)	h.264	ALL-I	600 Mbps
50.00fps	4:2:2 / 10 bit (SD & HDMI)	h.264	ALL-I	600 Mbps
48.00fps	4:2:2 / 10 bit (SD)	h.264	ALL-I	600 Mbps
24.00fps	4:2:2 / 10 bit (HDMI)	h.264	ALL-I	600 Mbps
47.95fps	4:2:2 / 10 bit (SD)	h.264	ALL-I	600 Mbps
23.98fps	4:2:2 / 10 bit (HDMI)	h.264	ALL-I	600 Mbps
29.97fps	4:2:2 / 10 bit (SD & HDMI)	h.264	ALL-I	400 Mbps
25.00fps	4:2:2 / 10 bit (SD & HDMI)	h.264	ALL-I	400 Mbps
24.00fps	4:2:2 / 10 bit (SD & HDMI)	h.264	ALL-I	400 Mbps
23.98fps	4:2:2 / 10 bit (SD & HDMI)	h.264	ALL-I	400 Mbps
MOV 4K (HDMI output without HLG/L-Log and without recording to SD)				
59.94fps	4:2:2 / 10 bit (SD & HDMI)	h.264	ALL-I	600 Mbps
50.00fps	4:2:2 / 10 bit (SD & HDMI)	h.264	ALL-I	600 Mbps
48.00fps	4:2:2 / 10 bit (SD)	h.264	ALL-I	600 Mbps
24.00fps	4:2:2 / 10 bit (HDMI)	h.264	ALL-I	600 Mbps
47.95fps	4:2:2 / 10 bit (SD)	h.264	ALL-I	600 Mbps
23.98fps	4:2:2 / 10 bit (HDMI)	h.264	ALL-I	600 Mbps
29.97fps	4:2:2 / 10 bit (SD & HDMI)	h.264	ALL-I	400 Mbps
25.00fps	4:2:2 / 10 bit (SD & HDMI)	h.264	ALL-I	400 Mbps
24.00fps	4:2:2 / 10 bit (SD & HDMI)	h.264	ALL-I	400 Mbps
23.98fps	4:2:2 / 10 bit (SD & HDMI)	h.264	ALL-I	400 Mbps
MOV FHD				
MOV FHD (recording to SD)				
119.88fps	4:2:2 / 10 bit (SD & HDMI)	h.264	ALL-I	400 Mbps
100.00fps	4:2:2 / 10 bit (SD & HDMI)	h.264	ALL-I	400 Mbps
59.94fps	4:2:2 / 10 bit (SD & HDMI)	h.264	ALL-I	200 Mbps
50.00fps	4:2:2 / 10 bit (SD & HDMI)	h.264	ALL-I	200 Mbps
48.00fps	4:2:2 / 10 bit (SD)	h.264	ALL-I	200 Mbps
24.00fps	4:2:2 / 10 bit (HDMI)	h.264	ALL-I	200 Mbps
47.95fps	4:2:2 / 10 bit (SD)	h.264	ALL-I	200 Mbps
23.98fps	4:2:2 / 10 bit (HDMI)	h.264	ALL-I	200 Mbps
29.97fps	4:2:2 / 10 bit (SD & HDMI)	h.264	ALL-I	200 Mbps
25.00fps	4:2:2 / 10 bit (SD & HDMI)	h.264	ALL-I	200 Mbps
24.00fps	4:2:2 / 10 bit (SD & HDMI)	h.264	ALL-I	200 Mbps
23.98fps	4:2:2 / 10 bit (SD & HDMI)	h.264	ALL-I	200 Mbps
MOV FHD (HDMI output without recording to SD)				
59.94fps	4:2:0 / 8 bit (SD & HDMI)	h.264	L-GOP	28 Mbps
50.00fps	4:2:0 / 8 bit (SD & HDMI)	h.264	L-GOP	28 Mbps
29.97fps	4:2:0 / 8 bit (SD & HDMI)	h.264	L-GOP	20 Mbps
25.00fps	4:2:0 / 8 bit (SD & HDMI)	h.264	L-GOP	20 Mbps
23.98fps	4:2:0 / 8 bit (SD & HDMI)	h.264	L-GOP	24 Mbps
MOV FHD ProRes				
59.94fps	422HQ	ProRes		454 Mbps
50.00fps	422HQ	ProRes		378 Mbps
29.97fps	422HQ	ProRes		227 Mbps
25.00fps	422HQ	ProRes		189 Mbps
24.00fps	422HQ	ProRes		182 Mbps
23.98fps	422HQ	ProRes		181 Mbps
MP4 8K				
MP4 8K (recording to SD)				
29.97fps	8K 4:2:0 / 10 bit	h.265	L-GOP	300 Mbps
25.00fps	8K 4:2:0 / 10 bit	h.265	L-GOP	300 Mbps
23.98fps	8K 4:2:0 / 10 bit	h.265	L-GOP	300 Mbps
MP4 8K (HDMI output without recording to SD)				
29.97fps	8K 4:2:0 / 8 bit	h.265	L-GOP	300 Mbps
25.00fps	8K 4:2:0 / 8 bit	h.265	L-GOP	300 Mbps
23.98fps	8K 4:2:0 / 8 bit	h.265	L-GOP	300 Mbps
MP4 8K (HDMI output during recording to SD)				
29.97fps	4K 4:2:2 / 10 bit	h.265	L-GOP	300 Mbps
25.00fps	4K 4:2:2 / 10 bit	h.265	L-GOP	300 Mbps
23.98fps	4K 4:2:2 / 10 bit	h.265	L-GOP	300 Mbps
MP4 4K				
59.94fps	4:2:0 / 10 bit (SD & HDMI)	h.265	L-GOP	100 Mbps
50.00fps	4:2:0 / 10 bit (SD & HDMI)	h.265	L-GOP	100 Mbps
29.97fps	4:2:0 / 8 bit (SD & HDMI)	h.264	L-GOP	100 Mbps
25.00fps	4:2:0 / 8 bit (SD & HDMI)	h.264	L-GOP	100 Mbps
23.98fps	4:2:0 / 8 bit (SD & HDMI)	h.264	L-GOP	100 Mbps
MP4 FHD				
59.94fps	4:2:0 / 8 bit (SD & HDMI)	h.264	L-GOP	28 Mbps
50.00fps	4:2:0 / 8 bit (SD & HDMI)	h.264	L-GOP	28 Mbps
29.97fps	4:2:0 / 8 bit (SD & HDMI)	h.264	L-GOP	20 Mbps
25.00fps	4:2:0 / 8 bit (SD & HDMI)	h.264	L-GOP	20 Mbps
23.98fps	4:2:0 / 8 bit (SD & HDMI)	h.264	L-GOP	24 Mbps

Bit rate 8bit/10bit for recordings on SD card, 10bit for HDMI output

Video Gamma Rec. 709, L-Log Rec. 2020, HLG Rec. 2020
Further information can be found in the "L-Log Reference Manual" for download on the Leica homepage.

Viewfinder/LCD panel

Viewfinder (EVF) Resolution: 5,760,000 dots, 60fps or 120fps, magnification: approx. 0.76x at aspect ratio: 3:2 / approx. 0.78x at aspect ratio: 4:3, frame coverage: 100%, exit pupil position: 21 mm, setting range -4/+2 dpt, with eye sensor for automatic switchover between viewfinder and LCD panel, time delay 0.005 s

LCD panel 3.2" (backlight LED) with anti-fingerprint and anti-scratch coating, 2,332,800 dots, format 3:2, touch panel

Top display 1.28" highly reflective trans-reflective monochrome LCD, 128x128 pixels, viewing angle 120°, anti-fingerprint coating



LEICA SL3

Shutter

Shutter type	Electronically controlled focal plane shutter
Shutter speeds	Mech. shutter: 60 min to 1/8000s, electr. shutter function: 60s to 1/16000s, flash synchronization: up to 1/200s
Shutter button	Two-stage (1st stage: Activation of the camera electronics including autofocus and exposure metering, 2nd stage: Taking the picture)
Self-timer	Delay time: 2s, 6s, 12s or 30s
Drive Mode	Single , Continuous Shooting , Interval Shooting , Exposure Bracketing Continuous shooting:

Setting	Shutter type	Autofocus mode for continuous shooting
2 fps, 14 bit, AF	Mech. or electr. shutter	AFc, even if AFs or Intelligent AF is selected
4 fps, 14 bit, AF		
5 fps, 12 bit, AF		
6 fps, 14 bit*		
7 fps, 12 bit*	Electr. shutter	No refocusing
9 fps, 12 bit*		
15 fps, 12 bit*		

*Automatic settings (exposure settings in operating modes P/A/S, automatic white balance and autofocus) are implemented for the first frame, and are then applied for each subsequent frame in the same picture series.

Focusing

Focus mode	Automatic or manual With manual setting: optional magnifying glass function (Magnification) and edge marking (Focus Peaking) available as focus assist
Autofocus system	Hybrid-AF due to combination of contrast metering, depth mapping, and phase comparison metering with AF metering points in the sensor.
Autofocus modes	Intelligent AF (automatically refocuses as soon as something changes in the scene), AFs , AFc , AF setting can be saved, optional Touch AF
Autofocus metering methods	Multi-field , Spot (can be shifted), Field (can be shifted and scaled), Zone (can be shifted and scaled), Tracking , Eye/Face/Body Detection , Animals (Beta)
Autofocus metering fields	315

Exposure

Exposure metering	TTL (exposure metering through the lens)
Exposure metering methods	Spot , Center-Weighted , Highlight-Weighted , Multi-Field
Exposure modes	Program AE mode (P), aperture-priority mode (A): manual aperture setting, shutter-priority mode (S): manual shutter speed setting, Manual (M): manual setting for shutter speed and aperture
Exposure compensation	±3EV in 1/3 EV increments or 1/2 EV increments
Automatic bracketing	3 or 5 frames, graduations between shoots up to 3EV, in 1/3 EV increments, additional optional exposure compensation: up to ±3EV

ISO sensitivity range	Photo	Video	Video L-Log	HLG
Auto ISO	ISO 100– ISO 100000	ISO 100– ISO 100000	ISO 200– ISO 100000	ISO 400– ISO 100000
Manual	ISO 50– ISO 100000	ISO 50– ISO 100000	ISO 200– ISO 100000	ISO 400– ISO 100000

Dual Basis ISO settings	Photo	Video	Video L-Log	HLG
Low Basis ISO	ISO 50– ISO 280	ISO 50– ISO 280	ISO 200– ISO 560	ISO 400– ISO 1100
High Basis ISO	ISO 320– ISO 100000	ISO 320– ISO 100000	ISO 640– ISO 100000	ISO 12000– ISO 100000



LEICA SL3

White balance Automatic (Auto), default (Daylight, Cloudy, Shadow, Tungsten, HMI, Fluorescent (warm), Fluorescent (cool), Flash), manual metering (Gray Card (pipette), Gray Card), manual color temperature settings (Color Temperature, 2000 K to 11500 K)

Flash

Flash unit connector Via the accessory shoe

Flash synchro socket For flash synchronization (photo mode only)

Flash sync time : 1/200s, slower shutter speeds available, automatic switchover to TTL linear flash mode with HSS-compatible Leica system flash units if sync time is undercut

Flash exposure metering Using center-weighted TTL pre-flash metering with Leica flash units (SF 26, SF 40, SF 58, SF 60, SF 64) or with system-compatible flash units, remote controlled flash SFC1

Flash exposure compensation SF 40: ±2 EV in 1/2 EV increments
SF 60: ±2 EV in 1/3 EV increments

Equipment

Microphone Stereo internal + microphone input 3.5 mm stereo jack

Speaker Mono internal + headphones output 3.5 mm stereo jack

WLAN The Leica FOTOS app is required to use the WLAN function. The Leica app is available from the Apple App Store™ or the Google Play Store™.

	2.4 GHz	5 GHz	
EU/ US/ CN	IEEE802.11b/g/n: Channel 1-11 (2412-2462 MHz)	Client mode: (For indoor use only) IEEE802.11a/n/ac: Channel 36-64 (5180-5320 MHz)	Access point + client mode: IEEE802.11a/n/ac: Channel 149-165 (5745-5825 MHz)
JP		Access point + client mode: (For indoor use only) IEEE802.11a/n/ac: Channel 36-48 (5180-5240 MHz)	Client mode: (For indoor use only) IEEE802.11a/n/ac: Channel 52-144 (5260-5720 MHz)
ROW			

Encryption method: WLAN-compatible WPA2™

Bluetooth Bluetooth 5.0 LE: Channel 0-39 (2402-2480 MHz)

GPS Not available everywhere due to country-specific legislation; can be added via the Leica FOTOS app. Data is written to Exif header of the picture files.

Menu languages English, German, French, Italian, Spanish, Portuguese, Russian, Japanese, Simplified Chinese, Traditional Chinese, Korean

Power supply

Rechargeable battery (Leica BP-SCL4) Lithium-ion rechargeable battery, rated voltage: 7.2 V (DC); capacity: 2200 mAh (min.), 260 shots (based on CIPA standard), 1350 shots (based on CIPA standard with adapted shooting cycle*) with Displays/AF Auto Off = 5 s; manufacturer: Panasonic Energy (Wuxi) Co. Ltd., Made in China

*Cycle 1: Switch on, 1st shutter release after 5 s, one shot every 3 s, after 10 shots the camera is switched off (Auto Power Off) and switched on again after a waiting time of 5 min.

Cycle 2: Switch on, 1st shutter release after 5 s, one shot every 3 s, after 50 shots the camera is switched off (Auto Power Off) and switched on again after a waiting time of 5 min.

These cycles are repeated alternately until the battery is empty.

USB-C power adapter (Leica ACA-SCL6) (optional) Input: AC 100-240V, 50/60Hz, 0.25 A, automatic switchover; Output: DC 5V/9V, 3A; Manufacturer: Salom Electric (Xiamen) Co., Ltd., Made in China

Dual Charger (Leica BC-SCL6) (optional) Input: DC 5V/3A, 9V/3A, automatic switchover; Output: DC 8.4 V, 850 mA/1000 mA; Manufacturer: Salom Electric (Xiamen) Co., Ltd., Made in China

Charging via USB During operation: 9 V/3 A (min. 27W)
With camera switched off: 5V/1500 mA (2.5W or greater)



QuickTime