

Assembly Manual **PETIT PUK** for **PEPE**



Congratulations with your PETIT PUK BED!

Now it's assembly time. Please make sure to check these elements prior to starting:

- ♥ is everything complete?
- ♥ are all pieces in good shape?
- ♥ good spirits and perhaps a partner in crime in your presence?
- ♥ ready to take a photo of your great work afterwards, to share it with us?
- ♥ ticked all boxes with yes? Ready, steady, gooo!

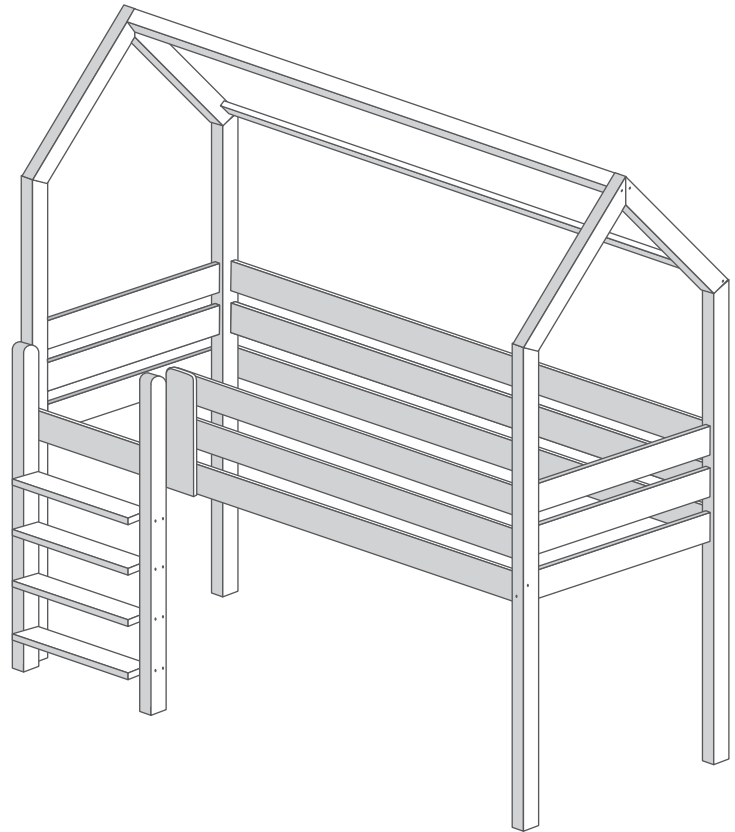
PS. A tip

You will find small green glue tubes with EU standards. Just slide a small amount of glue into the holes to receive the wood dowels. Glue is only necessary at the level of beveled wood stud assemblies for perfect stability. It is not necessary to put glue on the bed base which would prevent you from dismantling the bed afterwards.

**PETIT
♥ PUK ♥**

www.petitpuk.com f [petitpuk](#)  [petitpuk](#)

USER MANUAL



Montageelemente:
User manual:

ZWISCHENGESCHOSS BETT / MEZZANINE BED



Tischlerleim / Holzleim / glue

3



Holznägel / wooden pegs

47



kleine Metallboizen 16mm / small screws 16mm

34



kleine Metallbolzen / small screws

30



kleine Metallbolzen 30mm / small screws (imbus) 30mm

16



kleine Metallbolzen 55mm /small screws (imbus) 55mm

2



große Metallbolzen / big screws

39



Imbus
imbus / imbus

2

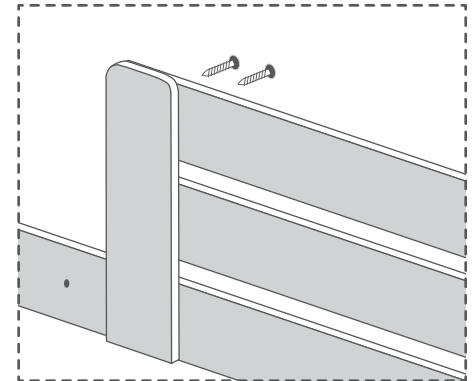
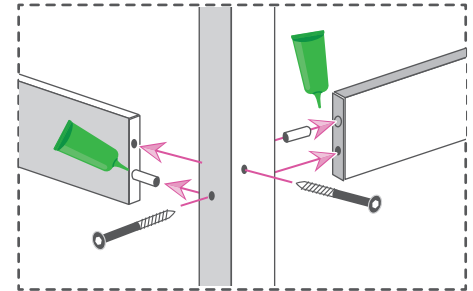
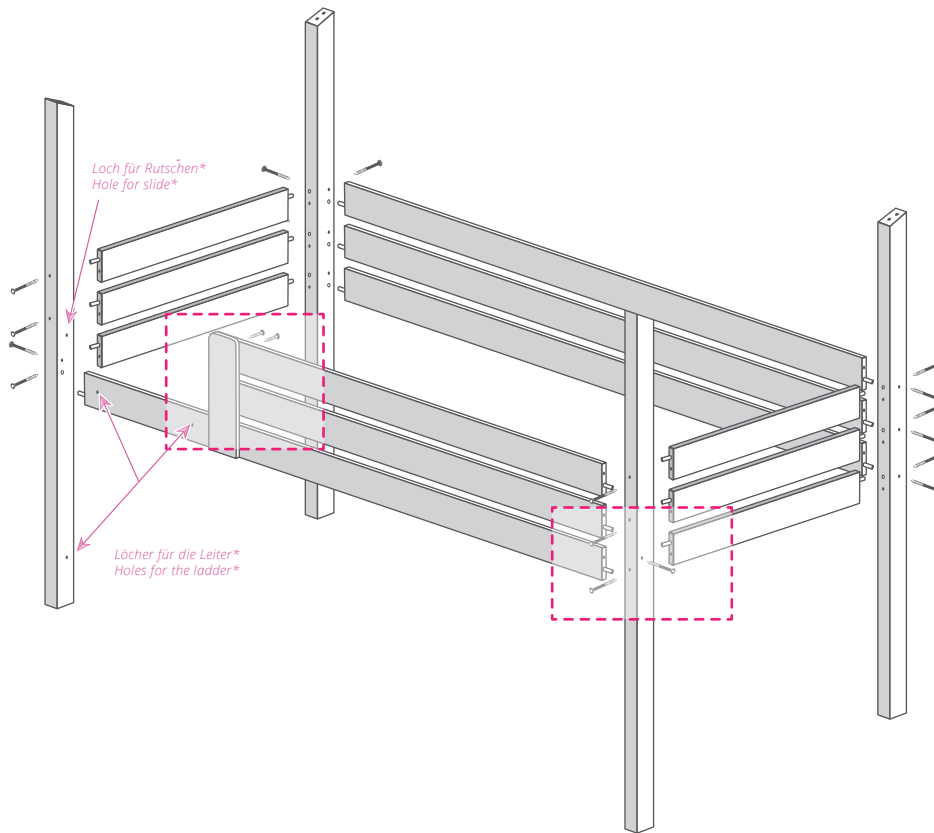


Stöpsel / plug



cap

34

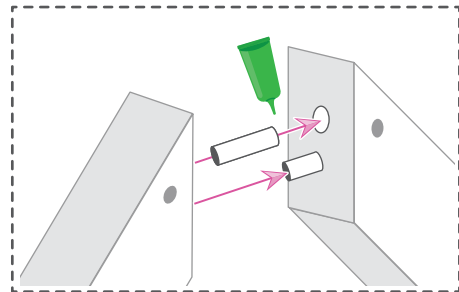
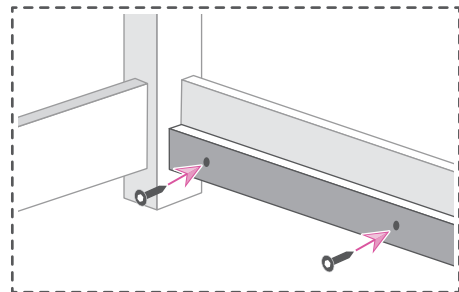
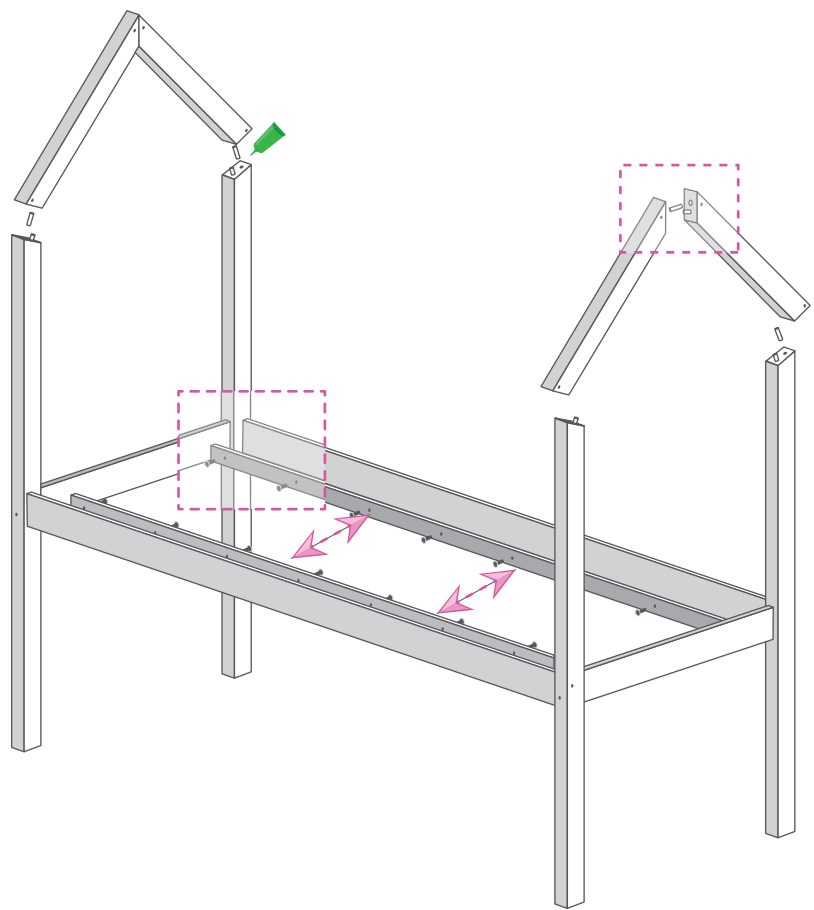


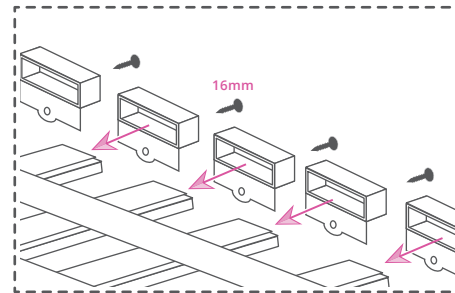
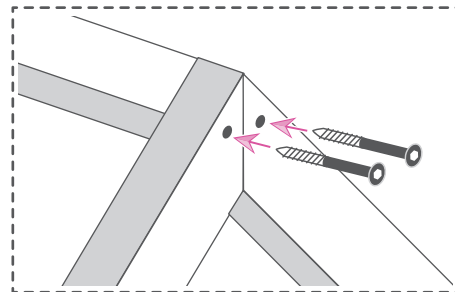
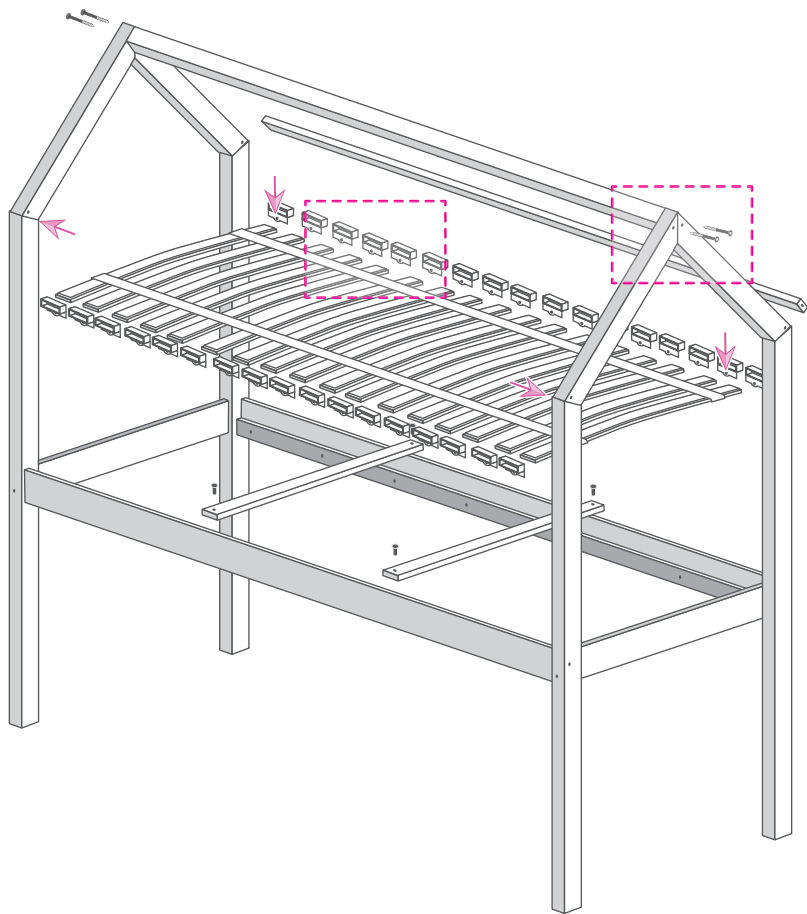
***Wichtig!**

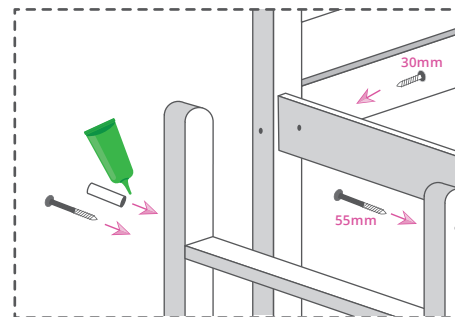
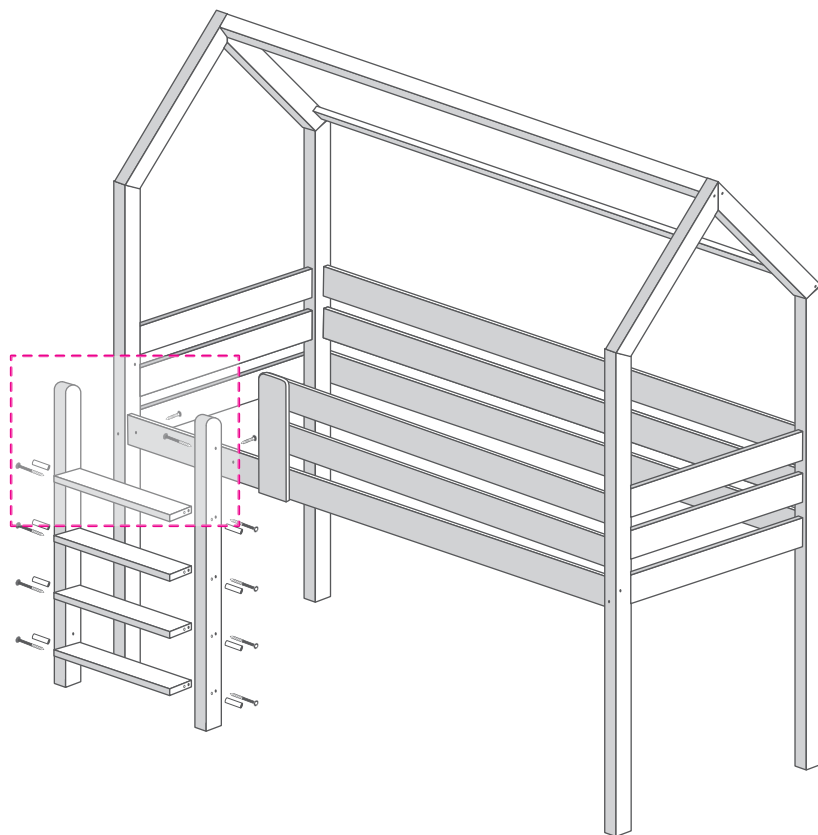
Im Fall eines Bettes mit Rutsche muss man darauf achten, auf welcher Seite man die Leiter mit den Löchern für den Griff die Rutsche montiert. Es hat einen Einfluss darauf, auf welcher Seite die Abtrennung dann später sein wird.

***Important !**

In the case of a bed with a slide, please note on which side you mount the long beam with the holes for the ladder holder. It has an effect on which side the slide will be.

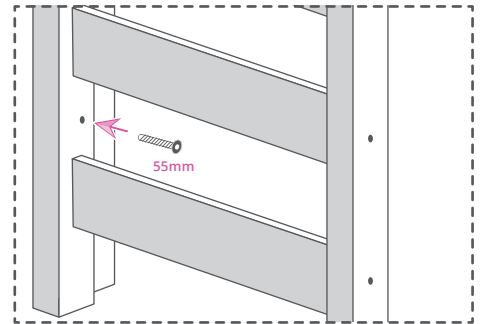
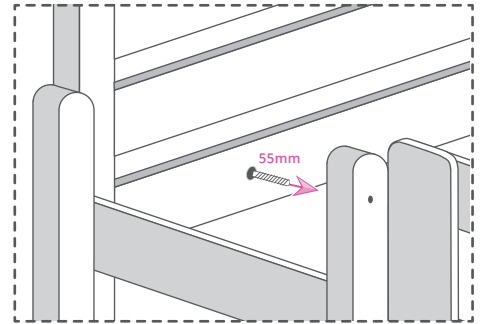
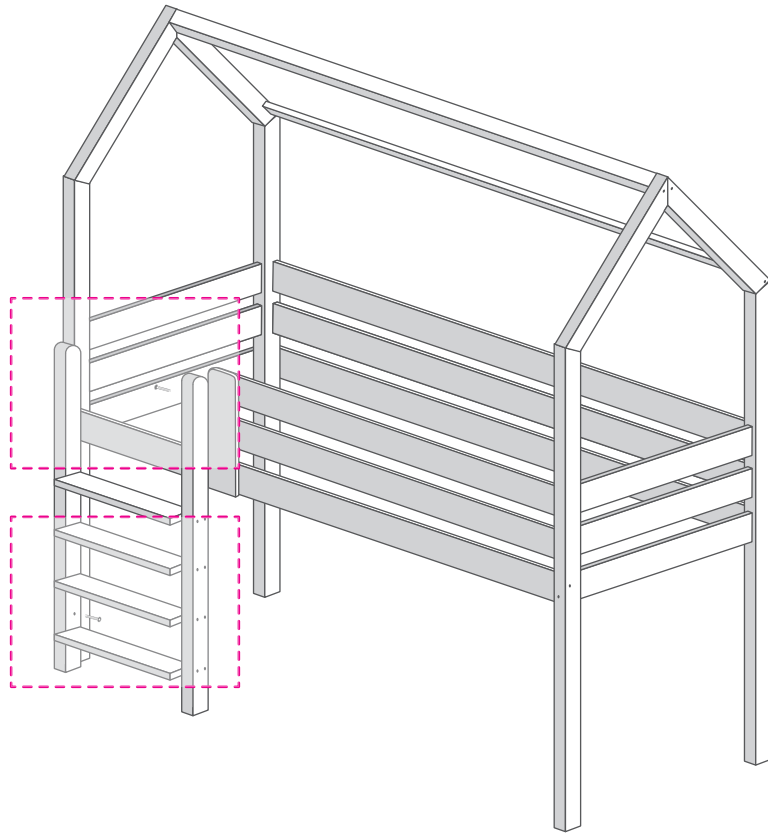






All other openings must be covered with plugs.

Alle anderen Öffnungen müssen mit Stöpsel abgedeckt sein.



Assembly Manual **PETIT PUK**



Yeaah, great job!!

We hope you are happy with the results too! Don't forget to share a photo with us, it makes us incredibly happy to see the results in our mailbox or on instagram with #petitpuk

Please remember this:

- ♥ Use only mattress with thickness is 8-14 cm height.
- ♥ Beds are for sleeping, not for jumping
- ♥ Prohibit more than one person on the bunkbed.
Do not hang on construction components.
- ♥ Wooden and plastic parts should be cleaned with a dry cloth and ordinary, mild care and cleaning of raw wood
- ♥ Bed parts have a warrantee for 2 years under normal use.
If necessary, contact **PETIT PUK** indicating your name and order number, accompanied by photos's of the situation.

**PETIT
♥ PUK ♥**

www.petitpuk.com f [petitpuk](https://www.facebook.com/petitpuk)  [petitpuk](https://www.instagram.com/petitpuk)