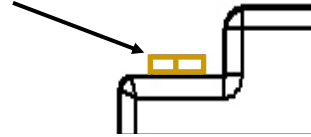




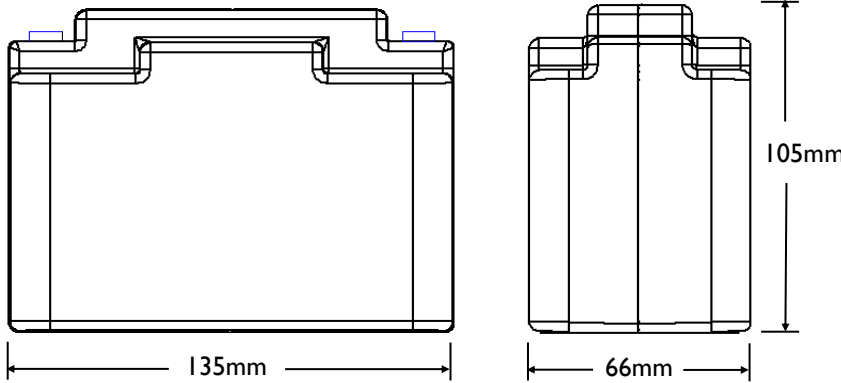
DIMENSIONS

Brass terminal: 12mm wide, 3mm high

Screws: M6 (6mm dia., 10mm length)



Lightweight LiFePO4 battery with exclusive over discharge protection, over charge protection, short circuit protection, excessive cranking protection and built in cell balancing technology.



SPECIFICATIONS

Specifications

Voltage	13.2V
Capacity	6.2Ah @ 1C Rate (See chart)
Capacity vs Temperature	25 °C = 100% 0°C = 92% -30°C = 80%
Self-Discharge Rate	< 3% / month @ 25 °C
Pulse Crank Amps (PCA)	340A (3 sec @ 25 °C, voltage >9V)
Cold Crank Amps (CCA)	230A (modified SAE test, 3 sec @ 0°F, volts >7.2V)
Continuous Discharge Amps	60A
Standard Charge Voltage	13.9 - 14.6 V
Maximum Charge Voltage	15V
Recommended Charge Amps	.8 - 8A
Max Charge Amps	30A (from vehicle charging system)
Life (Charge cycles, 80% depth of discharge)	4000 cycles @ 1C discharge rate, 25°C 2000 cycles @ 10C discharge rate, 25°C
Life (Years)	Up to 8 Years
Weight	2.2 lb. (1 Kg)
Dimensions	5.3 in (L) x 2.6 in (W) x 4.1 in (H) 135mm(L) x 66mm (W) x 105mm (H)
Environmental Rating (resistance to water intrusion)	IP 66 (wash down with a high pressure washer)
Operating Temperature	-30 °C to +60 °C
Storage Temperature	-40 °C to +70 °C

Discharge Characteristics

Discharge Ah (25DegC)

