

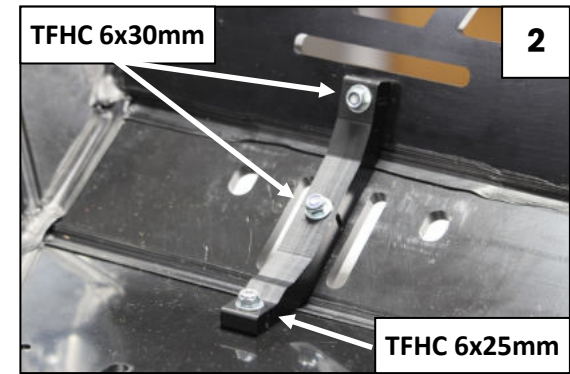
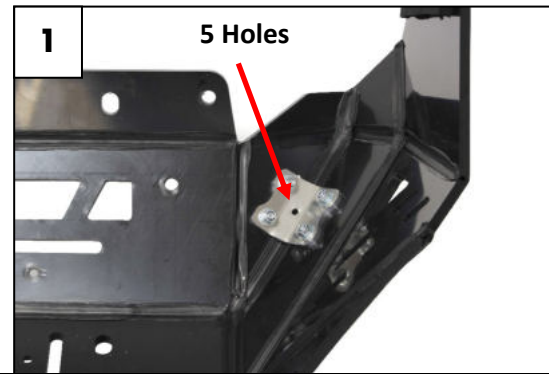
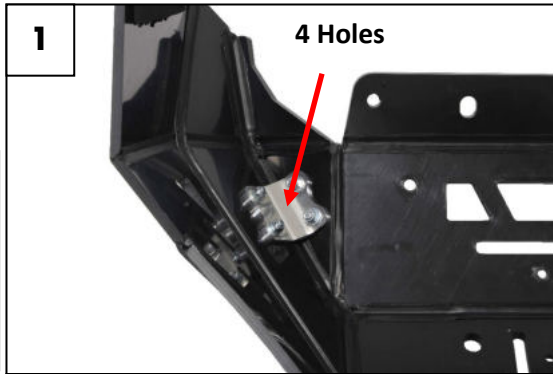


AX1622

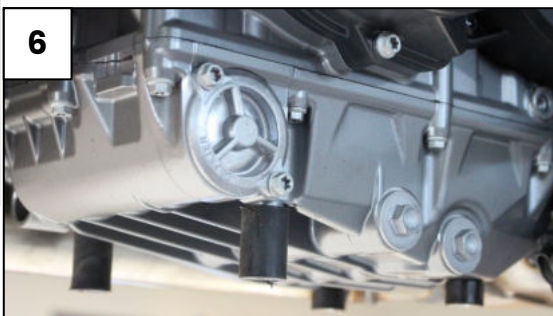
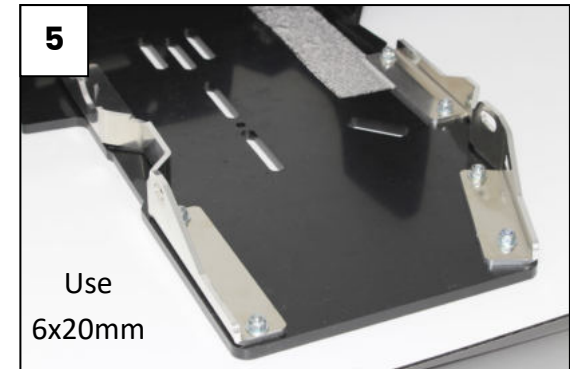
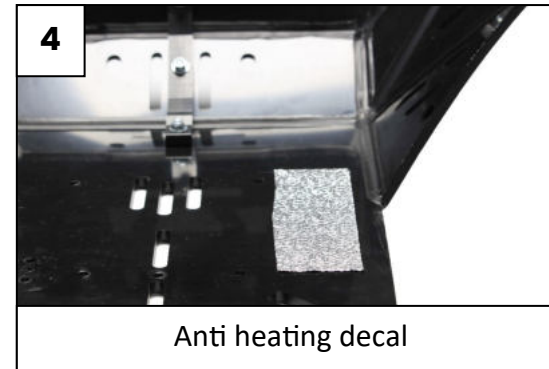
ADV SKID PLATE « HARD »
HUSQVARNA NORDEN 901

- 16 NE01-02-002 Tfhc 6x20mm
- 19 NE01-04-003 Em6f
- 19 NE01-03-001 M6 Washers
- 4 NE01-11-001 Special screws
- 1 NE01-02-003 Tfhc 6x25mm
- 2 NE01-02-004 Tfhc 6x30mm
- 1 PM03-04-103 Rear fixation R
- 1 PM03-04-104 Rear fixation L
- 1 PM03-04-107 Alloy bracket R
- 1 PM03-04-108 Alloy bracket L
- 1 PM01-04-220 Plastic 20mm
- 2 NE09-01-001 Silent blocs
- 2 PM03-01-019 Alloy spacers
- 1 PM01-08-001 MUD Guard
- 1 NE04-01-198 Decal kit
- 1 NE13-01-001 Foam 200x100mm

TUTORIAL VIDEO



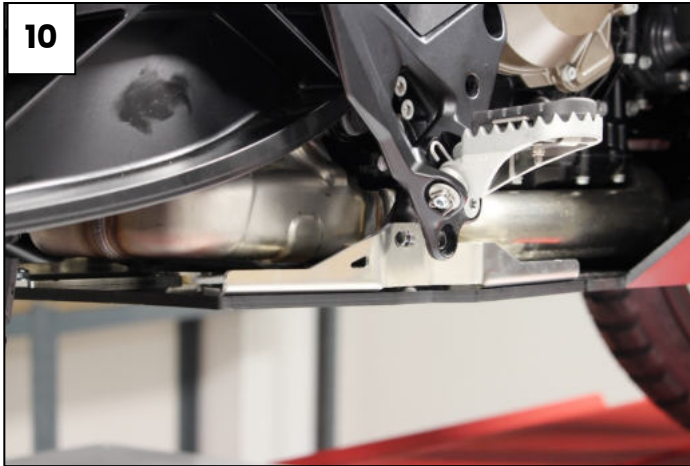
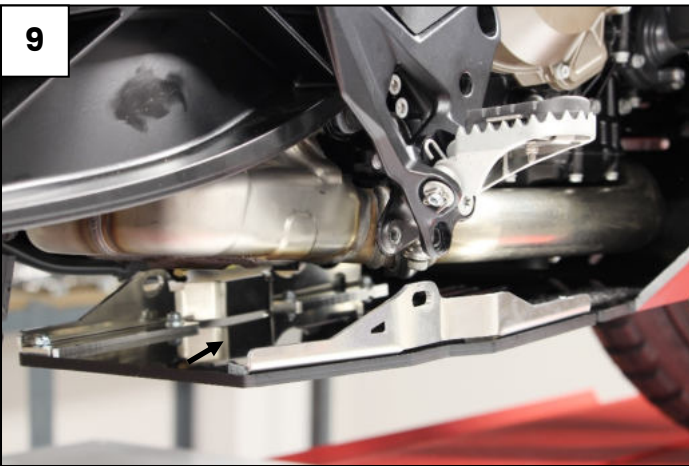
Start by fitting the 4mm thick alloy brackets with TFHC 6x20mm and bolts. Be careful, the « 4 holes » plate goes on the left, the « 5 holes » plate goes on the right.



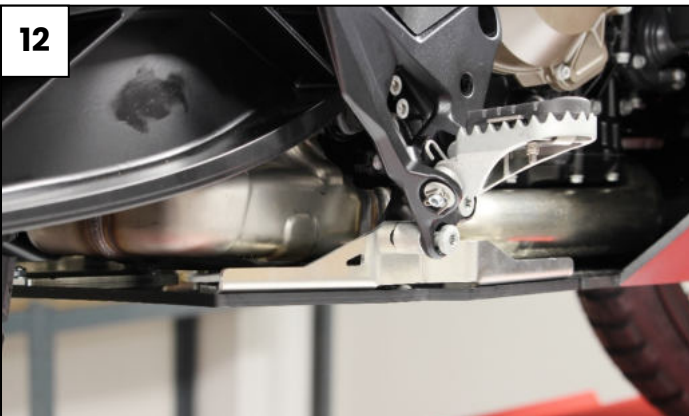
Put the silent blocs in place

Put the skid plate in place and fit only the 2 front special screws





Place the rear brackets (9) (10) , insert the alloy spacer between the bracket and the footpeg support (11)



Place the OEM screw without tightening



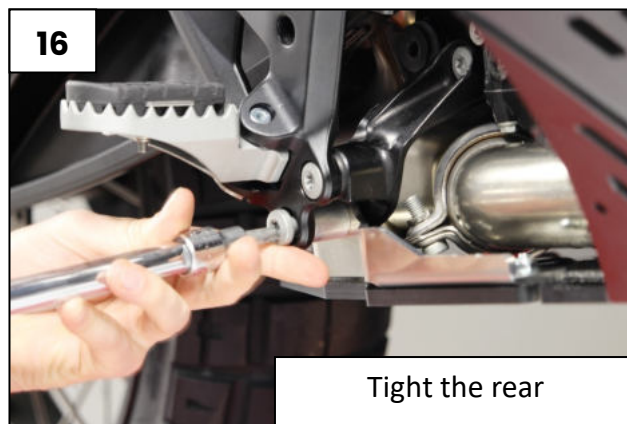
Repeat the same steps on the left side



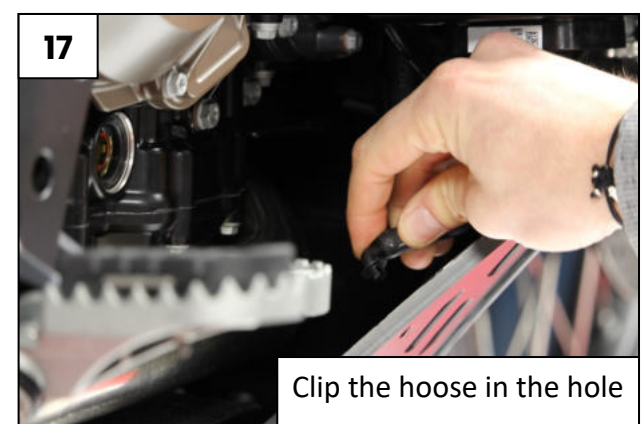
Place the MUD Guard with special screws



Tight the front



Tight the rear



Clip the hoose in the hole