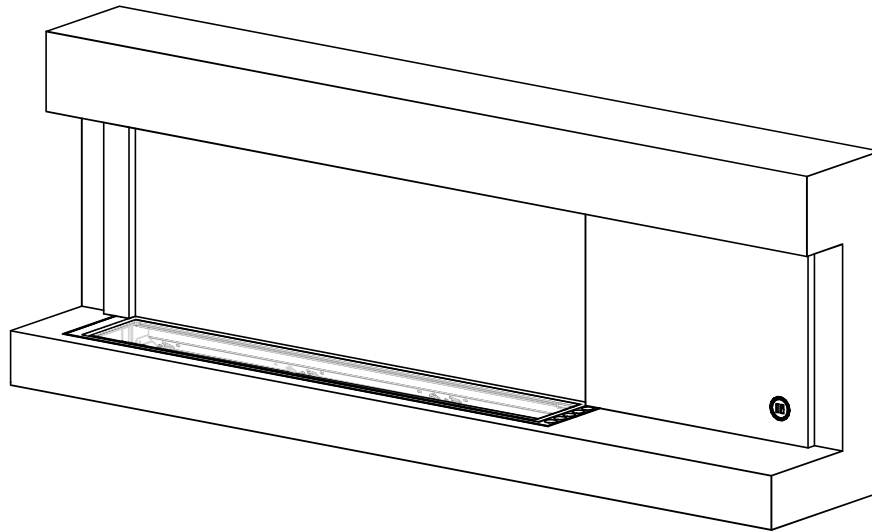




# INSTALLATION AND OPERATION MANUAL

## Stylus Steinfeld Wallmount Electric Fireplace



**SAFETY INFORMATION**

**! WARNING**

**FIRE OR EXPLOSION HAZARD**

If the information in these instructions are not followed exactly, a fire or explosion may result causing property damage, personal injury, or loss of life.

- Do not store or use gasoline or other flammable vapors and liquids in the vicinity of this or any other appliance.

**INSTALLER:**

Leave this manual with the appliance

**CONSUMER:**

Retain this manual for future reference

**FOR INDOOR USE ONLY**

IMPORTED BY WOLF STEEL EUROPE (THE NETHERLANDS)



APPLY SERIAL NUMBER LABEL FROM CARTON

Serial No. XXXXX00000

MODEL NO.



Wolf Steel Europe BV  
De Riemsdijk 22, 4004 LC Tiel, The Netherlands

**! WARNING**

- **If equipped with a heater, this appliance can be hot when operated and can cause severe burns if contacted.**
- Do not operate appliance before reading and understanding operating instructions. Failure to operate appliance according to operating instructions could cause fire or injury.
- Do not install damaged, incomplete or substitute components.
- Do not burn wood or other materials in this appliance.
- All electric appliances have hot and arcing or sparking parts inside. Do not use it in areas where a gas line, paint or flammable liquids are present.
- Any safety screen or guard removed for servicing must be replaced prior to operating the appliance.
- It is imperative that the control compartments, circulating blower and its passageway in the appliance are kept clean. The appliance should be inspected before use and at least annually by a qualified service person. More frequent cleaning may be required due to excessive lint from carpeting, bedding material, etc. The appliance area must be kept clear and free from combustible materials, gasoline and other flammable vapors and liquids.
- Under no circumstances should this appliance be modified.
- Do not use this appliance if any part has been under water. Immediately call a qualified service technician to inspect the appliance and to replace any part of the control system which has been under water.
- If equipped with a glass door, do not operate the appliance with the glass door removed, cracked or broken. Replacement of the glass should be done by a licensed or qualified service person. Do not strike or slam shut the appliance glass door.
- Keep the packaging material out of reach of children and dispose of the material in a safe manner. As with all plastic bags, these are not toys and should be kept away from children and infants.
- Servicing should be done only while the appliance is disconnected from the power supply circuit.
- Always unplug appliance when not in use.
- Do not operate this appliance with a damaged cord or plug after the appliance malfunctions, has been dropped or damaged in any manner. Return appliance to authorized service facility for examination, electrical or mechanical adjustment, or repair.
- Do not use outdoors.
- When installing this appliance in a room where water is present, the installation must comply with codes recognizing the increased hazard of electrical shock and electrocution.

**note:**

This appliance is NOT suitable for installation in a bathroom.


- Do not run cord under carpeting. Do not cover cord with throw rugs, runners, or the like. Arrange cord away from traffic area and where it will not be tripped over.
- Connect to properly grounded outlets only.
- Do not insert or allow foreign objects to enter any ventilation or exhaust opening as this may cause an electric shock or fire, or damage the appliance.
- It is normal for your electric appliance to produce noise, especially when installed in a quiet space such as a bedroom.

 **WARNING**

- To prevent a possible fire, do not block air intakes or exhaust in any manner. Do not use on soft surfaces, like a carpet, where openings may become blocked.
- Always plug appliances directly into a wall outlet/receptacle. Never use an extension cord or relocatable power tap (outlet/power strip).
- These appliances are tested and listed for use only with the optional accessories listed in these instructions. Use of optional accessories not specifically tested for this appliance could void the warranty and/or result in a safety hazard.

**For appliances equipped with a heater:**

- Risk of burns. Power to the appliance should be turned off and the appliance allowed to cool before servicing. To disconnect power to the appliance, turn controls to off, then remove plug from outlet.
- Young children should be carefully supervised when they are in the same room as the appliance. Toddlers, young children and others may be susceptible to accidental contact burns. A physical barrier is recommended if there are at risk individuals in the house. To restrict access to an appliance or stove, install an adjustable safety gate to keep toddlers, young children and other at risk individuals out of the room and away from hot surfaces.
- Clothing or other flammable material should not be placed on or near the appliance.
- Due to high temperatures, the appliance should be located out of traffic and away from furniture and draperies.
- Ensure you have incorporated adequate safety measure to protect infants/toddlers from touching hot surfaces.
- Even after the appliance is off, the glass and/or screen will remain hot for an extended period of time.
- Check with your local hearth specialty dealer for safety screens and hearth guards to protect children from hot surfaces. These screens and guards must be fastened to the floor.
- Ensure clearances to combustibles are maintained when building a mantel or shelves above the appliance. Elevated temperatures on the wall or in the air above the appliance can cause melting, discoloration or damage to decorations, a TV or other electronic components.
- The heater must not be located immediately below a socket-outlet.
- If they have supervision or have been given adequate instructions concerning the use of the appliance in a safe way, understanding all hazards involved, this appliance can be used by children aged 8 years and above; persons with reduced physical, sensory, and mental capabilities; or persons with lack of experience and knowledge. Children shall not play with the appliance. Cleaning and user maintenance shall not be done by children without supervision.

 **WARNING:** This product can expose you to chemicals including lead and lead compounds, which are known to the State of California to cause cancer, and chemicals including BBP and DEHP, which are known to the State of California to cause birth defects or other reproductive harm. For more information, go to [www.P65Warnings.ca.gov](http://www.P65Warnings.ca.gov).

<b>1.0</b>	<b>general information</b>	<b>5</b>
1.1	appliance overview	5
1.1.1	e-box & surround	5
1.1.2	features	5
1.2	dimensions	6
1.3	listing approvals	6
1.4	general instructions	7
1.5	unpacking & testing appliance	7
1.6	rating plate information	7
1.7	hardware list	8
<b>2.0</b>	<b>installation</b>	<b>9</b>
2.1	locating the appliance	9
2.2	minimum clearance to combustibles	10
2.3	minimum mantel clearances	10
2.4	installing the appliance onto the wall (wall mount)	11
<b>3.0</b>	<b>operating instructions</b>	<b>13</b>
3.1	operating control panel	13
3.2	operating remote control	14
3.3	timer settings on remote control	16
3.3.1	set current day and time	16
3.3.2	set ON/OFF time and temperature on a weekly cycle	16
3.3.3	open window warning	17
<b>4.0</b>	<b>finishing</b>	<b>18</b>
4.1	wood ember installation	18
4.2	grape vine and drift wood log installation	18
<b>5.0</b>	<b>replacement parts</b>	<b>19</b>
5.1	overview	20
<b>6.0</b>	<b>troubleshooting</b>	<b>21</b>
<b>7.0</b>	<b>warranty</b>	<b>23</b>

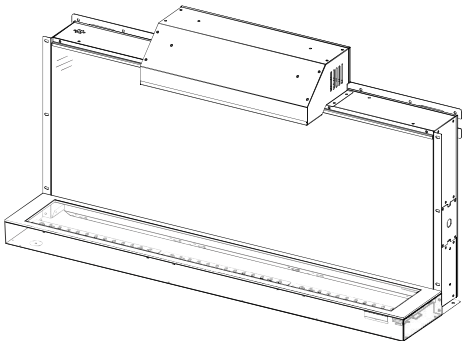
**note:**

The information throughout this manual is believed to be correct at the time of printing. Wolf Steel Ltd. reserves the right to change or modify any information within this manual at any time without notice. Changes, other than editorial, are denoted by a vertical line in the margin.

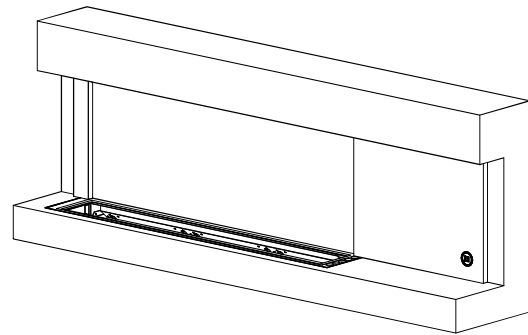
## 1.1 appliance overview

### 1.1.1 e-box & surround

Your NEFP32-5320BW-EU electric appliance comes fully assembled with the exception of media (see "finishing" section for more details). It consists of the following two components:



**NEFLC32H-EU  
E-Box**



**NEFS32-5320BW  
Surround**

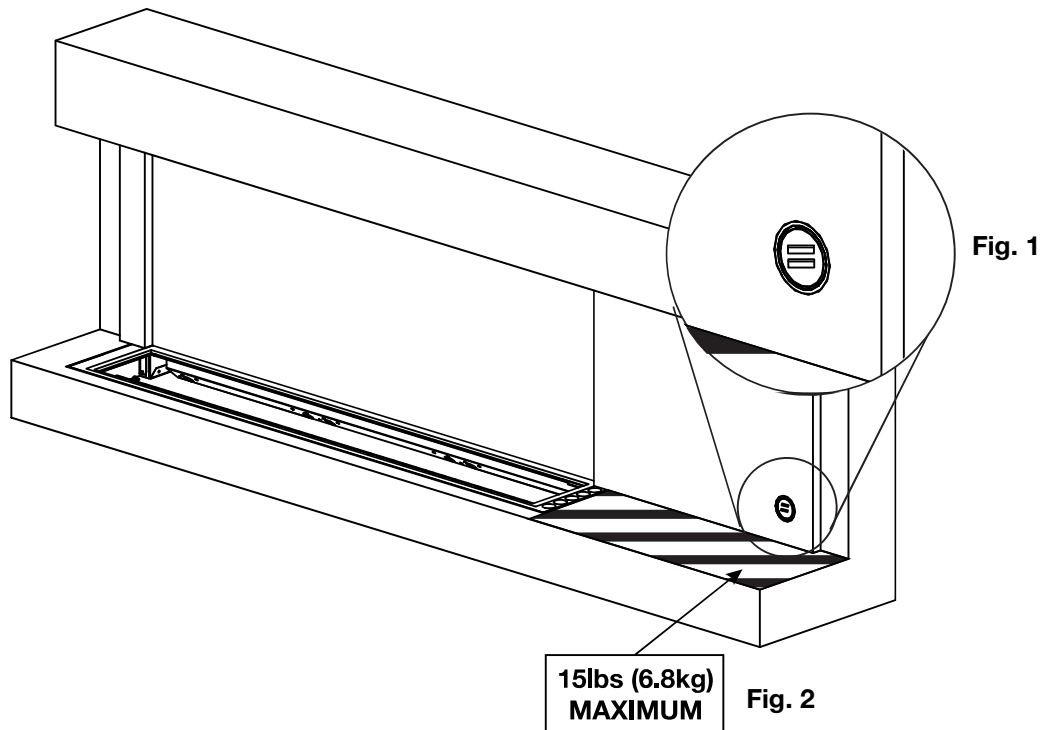
### 1.1.2 features

This appliance features a USB charger located on the right side of the NEFS32-5320BW surround (**Fig. 1**). See "operating instructions" section for more details.

**note:**

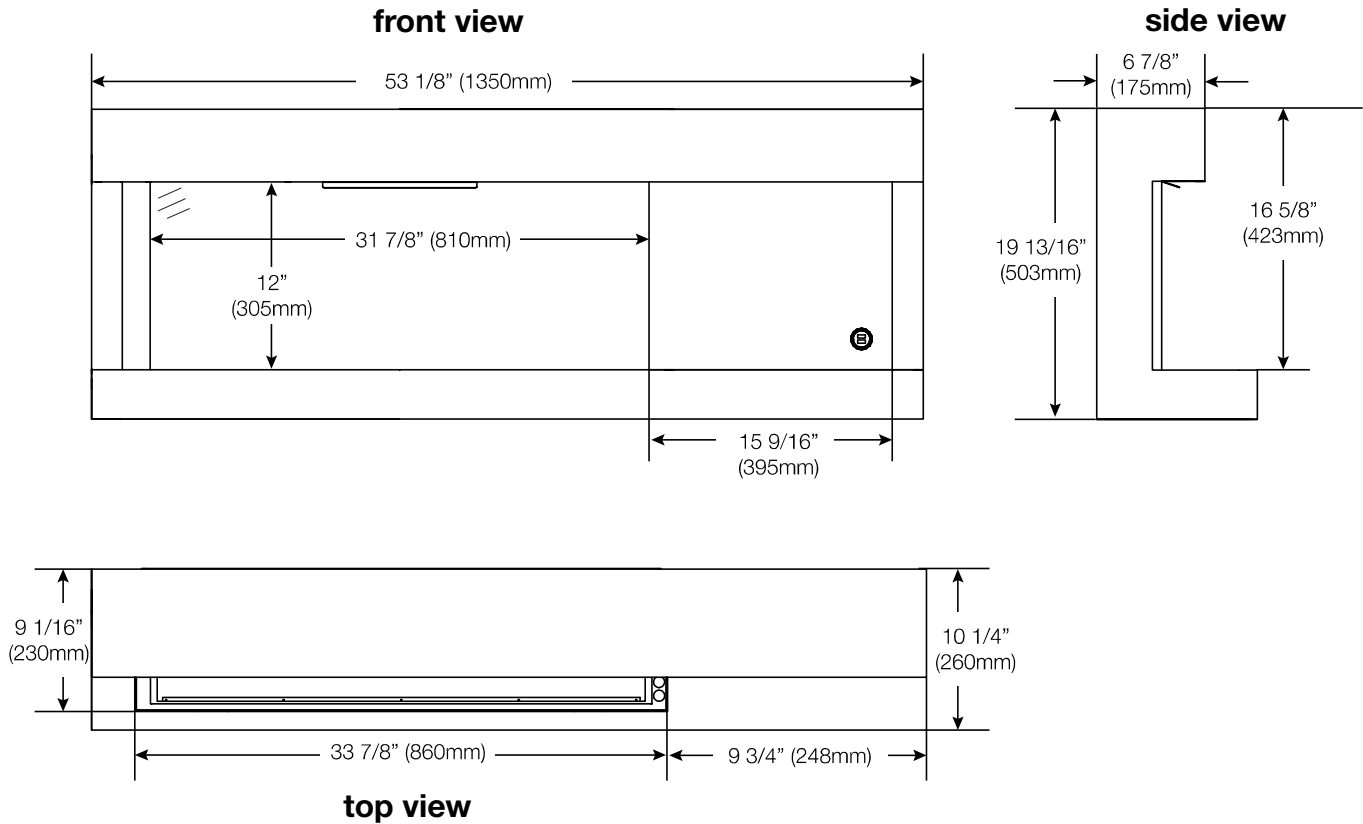
This USB charger may not be compatible with all phone types.

The NEFS32-5320BW surround is load-bearing in the hatched area ONLY (**Fig. 2**), with a maximum load-bearing capacity of 15lbs (6.8kg). Objects may not be placed on any other part of the appliance.



Batteries must be disposed of according to the local laws and regulations. Some batteries may be recycled, and may be accepted for disposal at your local recycling center. Check with your municipality for recycling instructions.

## 1.2 dimensions



## 1.3 listing approvals

<b>Model Number</b>	NEFP32-5320BW-EU
<b>Description</b>	59" Contemporary Wall-Mounted Electric Appliance
<b>Voltage</b>	220-240 VAC
<b>Watts</b>	Max 1400-1600W
<b>Amps</b>	10 AMP Grounded Circuit
<b>Appliance Width</b>	53 1/8" (1350mm)
<b>Appliance Height</b>	19 11/16" (500mm)
<b>Appliance Depth</b>	10 1/4" (260mm)
<b>Net Weight</b>	61lbs (27.8kg)
<b>Gross Weight</b>	91lbs (41.5kg)

### 1.4 general instructions

- Prior to plugging your appliance into an electrical outlet, verify that the house circuit breakers for the outlet are on.
- The appliance may emit a slight, harmless odour when first used. This odour is normal and it is caused by the initial heating of internal appliance elements and will not occur again.
- If your appliance does not emit heat when called for, consult the “operation” section of this manual for further information.
- Do not route the power cord directly underneath the appliance.

### 1.5 unpacking & testing appliance

Carefully remove the appliance from the box and remove the support brackets. Prior to installing the appliance, remove all packaging material and test to make sure the appliance operates properly by plugging the power supply cord into a conveniently located 220-240V, 10 Amp minimum dedicated grounded outlet.







### 1.6 rating plate information

ELECTRIC FIREPLACE, SUITABLE FOR BEDROOM AND BED-SITTING ROOM INSTALLATION. SUITABLE FOR MOBILE HOME INSTALLATION.

VOLTAGE: 220-240 VAC  
 FREQUENCY: 50Hz  
 POWER: 1400-1600W  
 DATE CODE: XXXXX

MODELS

NEFLC32H-EU       CEFLC32H-EU

Manufacturer: Wolf Steel Ltd.  
 24 Napoleon Road,  
 Barrie, ON, L4M 0G8 Canada

Importer: Wolf Steel Europe BV  
 De Riemsdijk 22, 4004 LC Tiel,  
 The Netherlands

DESIGNED IN NORTH AMERICA  
 BY WOLF STEEL LTD.  
 MADE IN CHINA

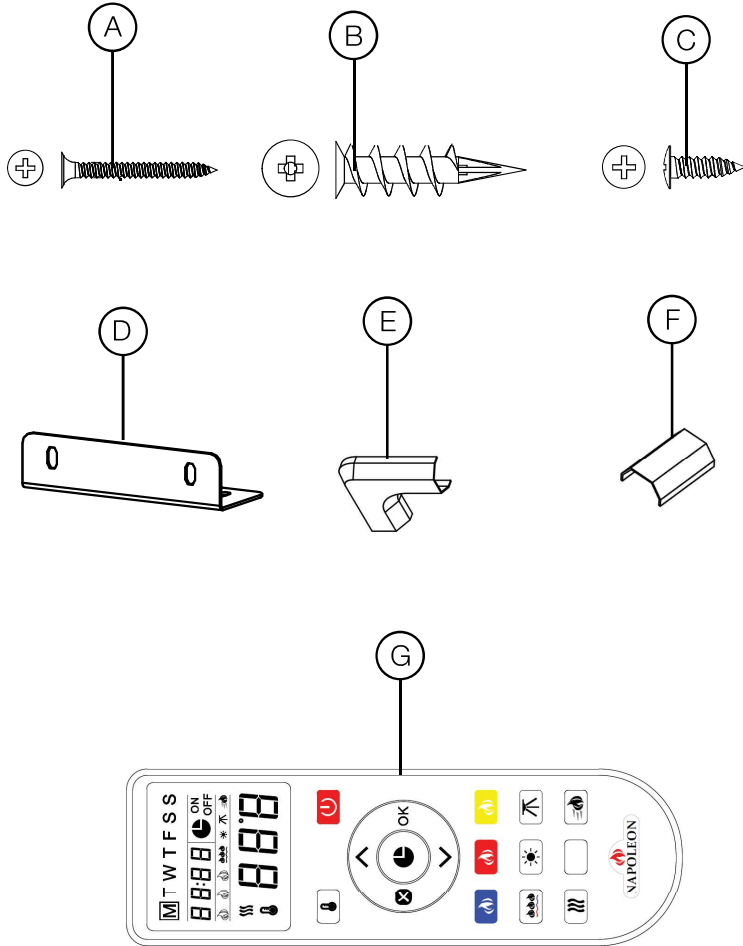
SERIAL NUMBER: **NEFLC32000000**      W385-2595

This illustration is for reference only. Refer to the rating plate on the appliance for accurate information.

**note:**  
 The rating plate must remain with the appliance at all times. It must not be removed.

# general information

## 1.7 hardware list



	Description	Quantity
<b>A</b>	Wood Screws	18
<b>B</b>	Drywall Anchors	
<b>C</b>	ST4x12 Metal Screws	4
<b>D</b>	Support Bracket	2
<b>E</b>	Cord Corner	
<b>F</b>	Cord Cover	
<b>G</b>	Remote control	1



## WARNING

- Risk of fire! The power cord must not be pinched against a sharp edge. Secure cord to avoid tripping or snagging to reduce the risk of fire, electric shock, or personal injury. Do not run cord under carpeting. Do not cover cord with throw rugs, runners, or similar items. Arrange cord away from traffic areas and where it will not be tripped over.
- Risk of fire! To prevent a possible fire, do not block air intake or exhaust in any manner. Do not use on soft surfaces where openings may become blocked.
- Risk of fire! Do not blow or place insulation against the appliance.
- This electric appliance is tested and listed for use only with the approved optional accessories. Use of optional accessories not specifically tested for this electric appliance could void the warranty and/or result in a safety hazard.
- If the information in these instructions is not followed exactly, a fire or explosion may result causing property damage, personal injury, or death. Do not store or use gasoline or other flammable vapors in the vicinity of this or any other appliance.
- This appliance is heavy. It is highly recommended that two people install this appliance.
- If your appliance is equipped with a heater, ensure the heater vents cannot, in any way, be covered as it may create a fire hazard.
- Do not run the power cord horizontally, directly below the appliance.

Your appliance is a wall-mounted appliance. Select a suitable location that is not susceptible to moisture and is away from drapes, furniture and high traffic areas.

**note:**

Follow all national and local electrical codes.

### 2.1 locating the appliance

## WARNING

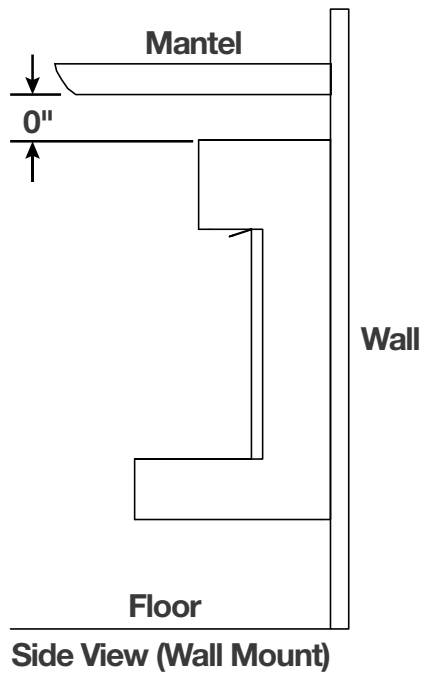
- Due to high temperatures, this electric appliance should be located out of traffic. Keep combustible materials such as furniture, pillows, bedding, papers, clothes, curtains, and similar items at least 36" (91.4cm) from the front of the appliance.
- Never locate this electric appliance where it may fall into a water container.
- Wear safety gloves and safety glasses for protection during installation and maintenance.
- To prevent contact with sagging or loose insulation, the electric appliance must not be installed against vapor barrier or exposed insulation. Localized overheating could occur, possibly resulting in a fire.
- Do not expose the electric appliance to the elements (i.e. rain).

**2.2 minimum clearance to combustibles**

Clearance to Combustibles	
Combustibles to top	0"
Combustibles to bottom	
Combustibles to sides	
Combustibles to back	

**2.3 minimum mantel clearances****! WARNING**

- When using paint or lacquer to finish the mantel, the paint or lacquer must be heat resistant to prevent discolouration.



## 2.4 installing the appliance onto the wall (wall mount)

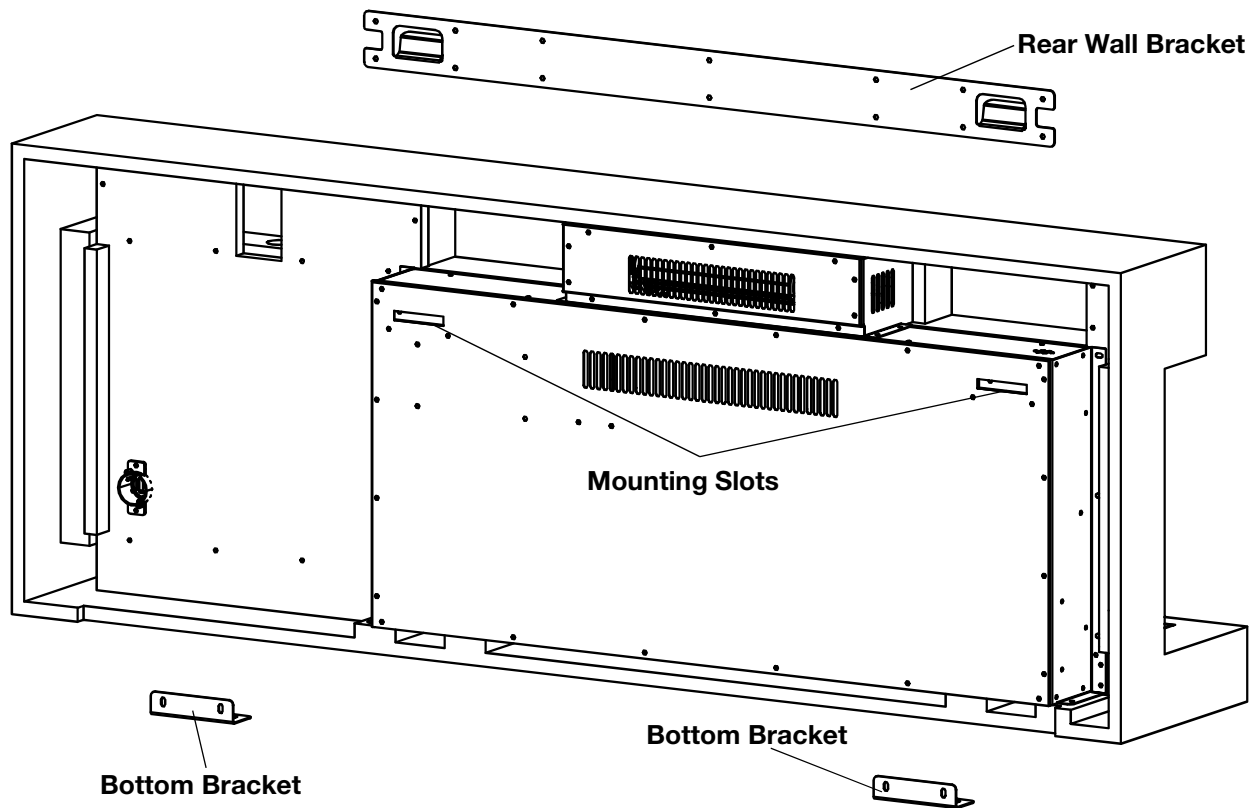
### WARNING

- Consult your local builder before installing the appliance. Appliance must be installed in accordance with local building codes.
- Appliance must be installed in a location not prone to moisture.
- Appliance must be installed at least 36" (91.4cm) away from combustible materials such as curtain drapes, furniture, bedding, paper, etc.

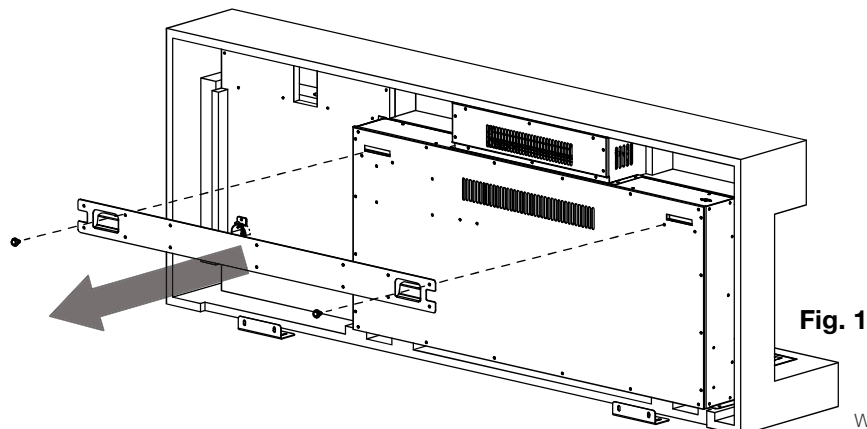
**note:**

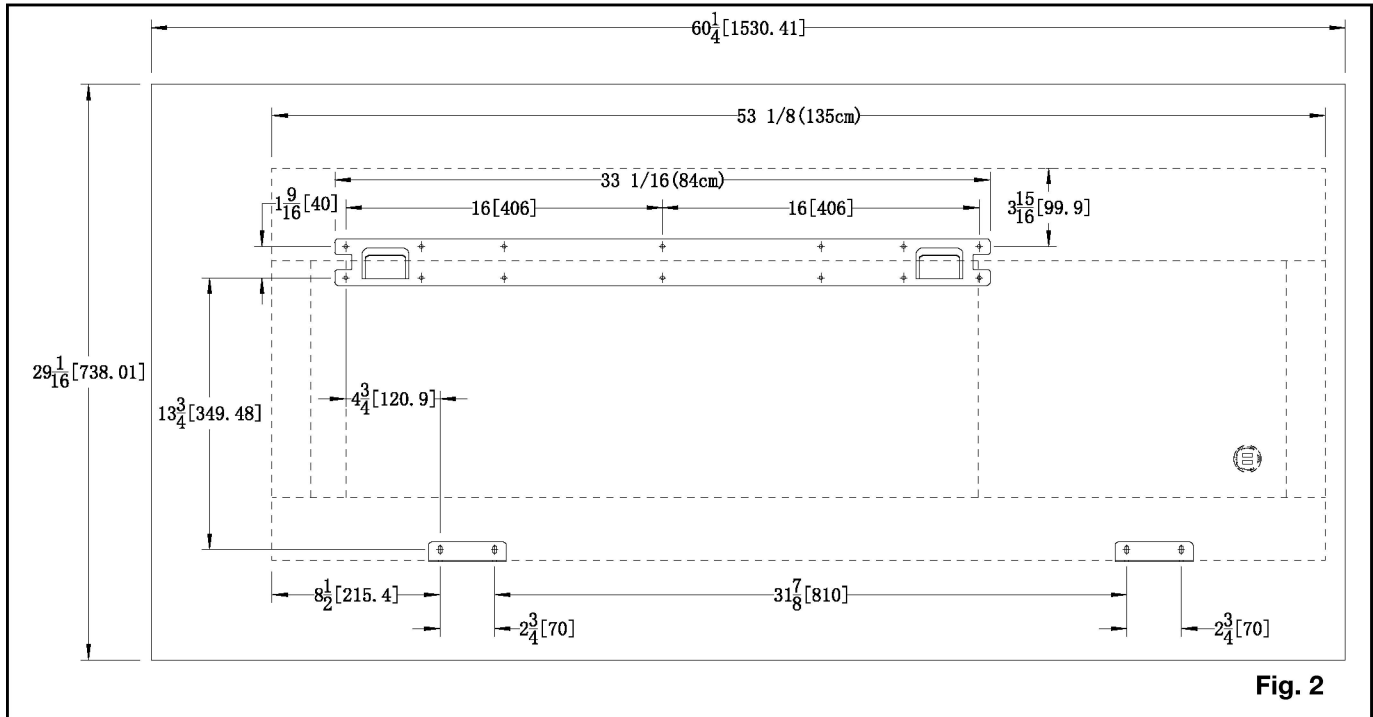
We recommend having two people install this appliance.

### Appliance Overview



1. Have two people hold the appliance against the wall to determine the final location.
2. Place the appliance on a soft, non-abrasive, and flat surface. Remove the rear wall bracket from the back of the appliance by removing the 2 screws (**Fig. 1**).





3. Using the wall mounting installation template (**Fig. 2**), mark out the locations of the rear wall bracket and bottom brackets on the wall.

4. Install the rear wall bracket onto the wall using 14 screws (supplied).  **A x14**

**note:**

The rear wall bracket **MUST** have hooks facing upward and be level.

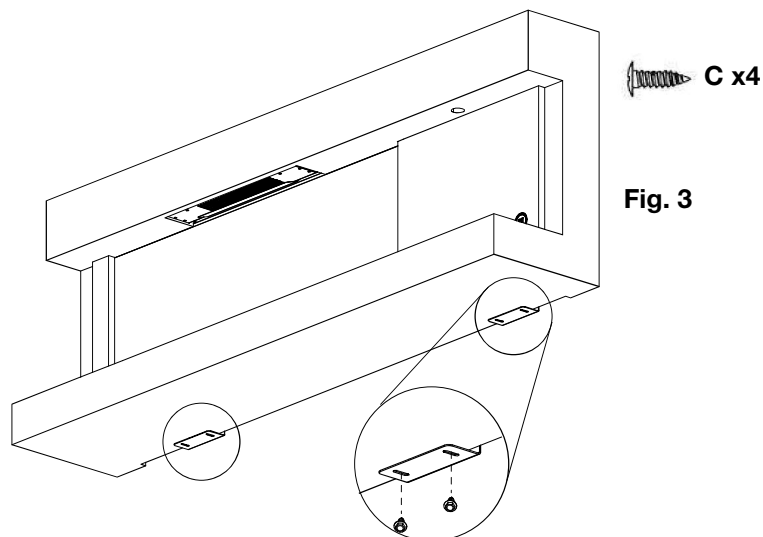
**note:**

It is strongly recommended that the rear wall bracket be screwed into the wall studs where possible. If the wall studs cannot be used, ensure that the plastic anchors (supplied) are used to affix the bracket to the wall and the bracket is adequately secured.

5. Install the bottom brackets onto the wall using 4 screws (supplied).  **A x4**

6. Lift the appliance up until the two mounting slots clear the hooks on the rear wall bracket. Slide appliance down until completely secured.

7. Secure the appliance to the bottom brackets using 4 screws (supplied) (**Fig. 3**).









## **WARNING**

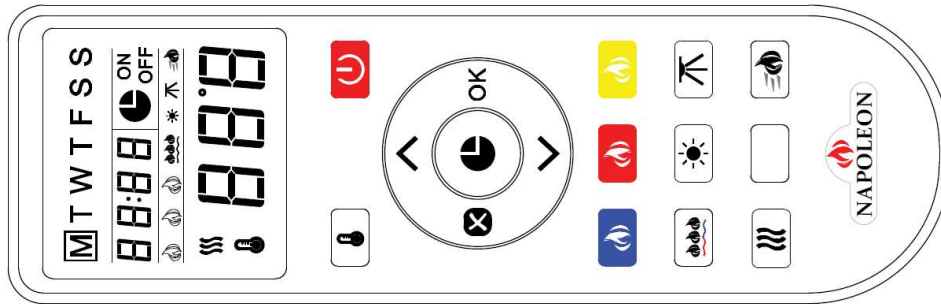
- Ensure the house circuit breakers for the power supply are turned on. When initially connecting the appliance to a power source, the appliance will beep then remain off until turned on.








### 3.1 operating control panel




The Control Panel is located on the right side of the appliance.

<b>Power</b>		Turns the appliance on/off.
<b>Top Accent Light Control</b>		Controls top accent light.  <b>Settings:</b> d8 - Cool white & warm white, both 100% brightness d7 - Cool white & warm white, both 75% brightness d6 - Cool white & warm white, both 50% brightness d5 - Cool white & warm white, both 25% brightness d4 - Warm white with 100% brightness d3 - Warm white with 50% brightness d2 - Cool white with 100% brightness d1 - Cool white with 50% brightness d0 - Top accent light off
<b>Flame Light Control</b>		Controls flame.  <b>8 Settings:</b> F0 - Flame off F1 - Orange flame F2 - Yellow flame F3 - Blue flame F4 - Yellow / orange flame F5 - Orange / blue flame F6 - Yellow / blue flame F7 - Yellow / orange / blue flame
<b>F° / C° Switch</b>		Changes temperature format from Fahrenheit to Celsius or vice versa. Press and hold the Flame button for 5 seconds.
<b>Heater Control</b>		Turns the heater and blower on/off.  <b>4 Settings:</b> H0 - Heater and blower off bL - Blower on H1 - Low heat H2 - High heat
<b>Heater Lock</b>		LO - Heater button can be locked or unlocked by holding the Heater button for 5 seconds.







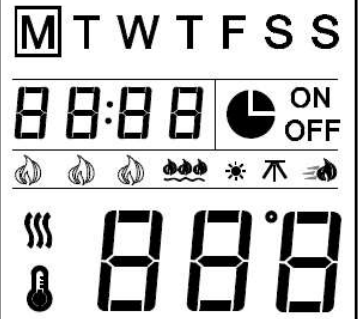


<b>Power</b>		Turns the appliance on/off.
<b>Blue Flame</b>		Controls flame brightness.
<b>Orange Flame</b>		<b>Settings:</b> F4 - Brightest flame F3 - Bright flame F2 - Medium flame F1 - Small flame F0 - Flame off
<b>Yellow Flame</b>		
<b>Heater</b>		Turns the heater and blower on/off. <b>Settings:</b> H0 - Heater and blower off bL - Blower on H1 - Low heat H2 - High heat
<b>Flame Speed</b>		Controls the speed of the flame. <b>Settings:</b> 01 - slowest 02 03 04 05 - fastest
<b>Top Accent Light Control</b>		Controls the top accent light. <b>Settings:</b> d8 - Cool white & warm white, both 100% brightness d7 - Cool white & warm white, both 75% brightness d6 - Cool white & warm white, both 50% brightness d5 - Cool white & warm white, both 25% brightness d4 - Warm white with 100% brightness d3 - Warm white with 50% brightness d2 - Cool white with 100% brightness d1 - Cool white with 50% brightness d0 - Top accent light off





<p><b>Ember Bed Color</b></p>		<p>Controls ember bed light settings.</p> <p><b>Settings:</b>                  L0 - Ember bed light off                  L1 - White                  L2 - Blue                  L3 - Green                  L4 - Red                  L5 - Yellow                  L6 - Purple                  L7 - Auto-cycle through white, blue, green, red, yellow, and purple.  <b>(NOTE: It will take 8.5 seconds to switch between colours.)</b>                  L8 - Lock to desired color</p>
<p><b>Ember Bed Brightness</b></p>		<p>Controls the brightness of the ember bed light.</p> <p><b>Settings:</b>                  b5 - Gradual brightening effect from b1-b4                  b4 - Brightest                  b3 - Bright                  b2 - Medium                  b1 - Low</p>
<p><b>Temperature Control</b></p>		<p>Controls the temperature.</p> <p><b>Settings:</b>                  64°F [18°C]                  66°F [19°C]                  68°F [20°C]                  70°F [21°C]                  72°F [22°C]                  74°F [23°C]                  76°F [24°C]                  78°F [25°C]                  80°F [26°C]                  82°F [27°C]                  and OFF</p> <p><b>NOTE:</b> Changes temperature format from Fahrenheit to Celcius or vice versa. Press and hold the temperature button for 5 seconds.</p>
<p><b>USB Charger</b></p>		<p><b>Phone Charging:</b> Red indicator</p> <p><b>Phone Charged:</b> Green indicator</p> <p><b>NOTE:</b> This is only a rough indication of your phone's charge. Check your phone for accurate charge status.</p> <p>See "features" section for more information on the USB charger.</p>

**note:**  
 Buttons without icons are to be considered as buttons without any functions.



## 3.3 timer settings on remote control

 <b>Timer:</b> Displays current day, time, and week. Press to enter or confirm timer settings.		
<b>OK</b> <b>Settings:</b> Press to move to next step (use with Timer button). Press to confirm week timer.		
 <b>Back:</b> Press to clear timer settings. Press to return to the previous step (use with Settings button).		
 <b>Up and down:</b> Use with Settings button.		
<b>LCD Screen</b>		
<b>Weekday:</b> _____ Mon., Tues., Wed., Thurs., Fri., Sat., Sun.		<b>NOTE:</b> The functions can only be adjusted when the related letters or digits are flashing. <b>NOTE:</b> Calibrate the timer to current time before the weekly settings.
<b>Time Display:</b> _____		
Current Time / Timer From 00:00 to 24:00 <b>NOTE: 00-12:00 is AM / 13:00 - 24:00 is PM</b>		

## 3.3.1 set current day and time




1. Press  once. When "MON" (Monday) begins flashing, use  to select current day. Press OK to complete the setting.
2. When the hour digits begin flashing, use  to select the current hour. Press OK to complete the setting.
3. When the minute digits begin flashing, use  to select the current minute. Press OK to complete the setting.

## 3.3.2 set ON/OFF time and temperature on a weekly cycle

1. Press  once. When "MON" (Monday) begins flashing, use  to select current day. Press OK to complete the setting.



**note:**

The timer can only be adjusted in 30-minute intervals (i.e. 00:00 - 00:30; 00:30 - 01:00, etc.).

2. When "--:--" begins flashing, use  to select the desired hour and minutes to turn on the heater. Press OK to complete the setting. Press  at any time to clear the digits and shut down "ON" timer.
3. When "18" begins flashing, use  to select the desired temperature to turn on the heater for Monday.

**note:**

If the temperature was previously set, those digits will be shown instead of "18".

4. When "--:--" begins flashing, use  to select the desired hour and minutes to turn off the heater. Press OK to complete the setting. Press  at any time to clear the digits and shut down "OFF" timer.



5. Repeat steps 1 to 4 to set the "ON/OFF" time and temperature for Tuesday, Wednesday, Thursday, Friday, Saturday, and Sunday.
6. Press OK to complete programming, ensuring the aim the remote control at the receiver, located in the middle of the appliance. The appliance will "beep" once to confirm that programming has been successful.

### 3.3.3 open window warning

If the room temperature decreases by 10 degrees within 3 minutes, the appliance will assume there is an open window nearby. In order to conserve energy, the heater will automatically switch from High Heat to Low Heat, or if the heater is already at Low Heat, it will turn off completely.

When switching from High Heat to Low Heat, the appliance will beep 3 times and the digital display will flash "88" three times before displaying the existing heating status.

When switching from Low Heat to Off, the appliance will beep 3 times and the digital display will flash "88" continuously.

To reset the heating function, see "operating remote control" section.

## 4.0 finishing

### **!** WARNING

- Power supply service must be completed prior to finishing in order to avoid reconstruction.
- Heat vents and air openings cannot be covered under any circumstances.

#### 4.1 wood ember installation

1. Carefully place the wood embers onto the bottom media tray (**Fig. 1**).
2. Apply an even layer from side to side.



Fig. 1

#### 4.2 grape vine and driftwood log installation

1. Carefully place grape vine and driftwood logs on the media tray as shown (**Fig. 2**).
2. Use the wood embers (see "wood ember installation" section) to fill in the spaces between the logs. This will improve the overall look of the appliance.



Fig. 2 (Recommended placement)

**! WARNING**

- Failure to position the parts in accordance with this manual or failure to use only parts specifically approved with this appliance may result in property damage or personal injury.

Contact your dealer for questions concerning prices and policies on replacement parts. Normally, all parts can be ordered through your Authorized dealer / distributor.

**For warranty replacement parts, a photocopy of the original invoice will be required to honour the claim.**

When ordering replacement parts always give the following information:

- Model & Serial Number of appliance
- Installation date of appliance
- Part number
- Description of part
- Finish

**Parts, part numbers, and availability are subject to change without notice.**

**Parts identified as stocked will be delivered within 2 to 5 business days for most delivery destinations.**

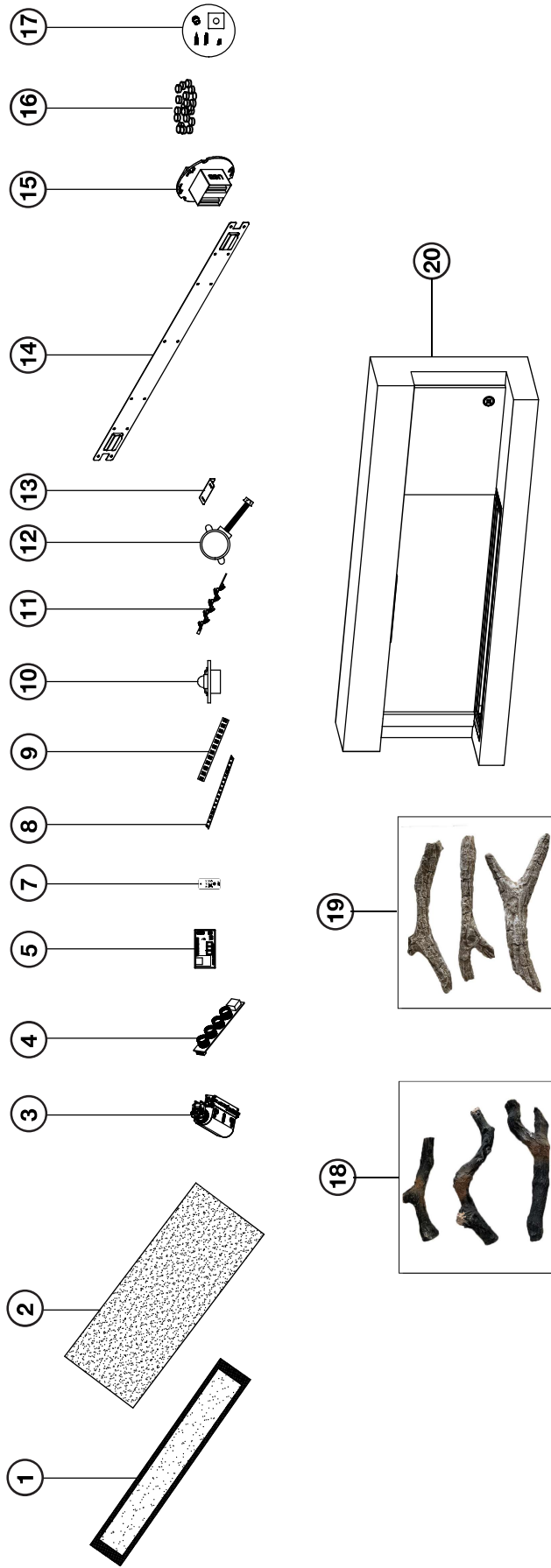
**Parts not identified as stocked will be delivered within a 2 to 4 week period, for most cases.**

**Parts identified as 'SO' are special order and can take up to 90 days for delivery.**

**note:**

Care must be taken when removing and disposing of any broken glass or damaged components. Be sure to vacuum up any broken glass from inside the appliance before operation.

5.1 overview



Items may not appear exactly as illustrated.

Ref. No.	Part No.	Description	Stocked
1	W300-0291-SER	Black frosted base, glass	Yes
2	W497-0053-SER	Plastic acrylic panel	Yes
3	W010-4760-SER	Heater and blower assembly	Yes
4	W190-0143-SER	Touch-on control panel	Yes
5	W190-0186-SER	Main PCB control	Yes
6*	W690-0021	Thermostat	Yes
7	W190-0187-SER	Remote control	Yes
8	W405-0069-SER	Ember LED light	Yes
9	W405-0068-SER	Flame LED light	Yes
10	W405-0075-SER	Side accent LED light	Yes
11	W527-0032-SER	Reflector spindle	Yes
12	W435-0090-SER	Step motor	Yes
13	W080-1916-SER	Bracket, bottom rear wall	Yes
14	W080-1917-SER	Bracket, rear wall	Yes
15	W190-0145-SER	USB charger	Yes
16	W497-1627-SER	Wood embers	Yes
17	W370-0150-SER	Hardware kit	Yes
18	W135-1014-SER	Log kit, grape vine	Yes
19	W135-1015-SER	Log kit, drift wood	Yes
20	NEFS32-5320BW	Surround	Yes
21*	W005-0023-SER	UK Adapter	
22*	W005-0024-SER	Swiss Adapter	

\* Parts not illustrated.

## WARNING

- Turn off the appliance completely and let cool before servicing. Only a qualified service person should service and repair this electric appliance.

symptom	problem	solution
Appliance will not come on when power button/switch is put into the "on" position.	Appliance is not plugged into an electrical outlet.	Check plug, and plug in the appliance if necessary.
	Appliance has overheated and safety thermal switch has tripped.	Unplug power or turn off the circuit breaker, allow appliance to cool for 15 minutes, then plug in the appliance or turn the breaker on.
	Main PCB board issue.	Inspect the circuit board and replace, if necessary.
Appliance turns off and will not turn on.	House circuit breaker has tripped.	Reset house circuit breaker.
	Appliance's fuse has blown.	Replace the fuse.
	Appliance has overheated and safety thermal switch has tripped.	Unplug power or turn off the circuit breaker, allow appliance to cool for 15 minutes to reset the thermal switch, then plug in the appliance or turn the breaker on.
Appliance has returned to default settings.	Power failure.	Re-program appliance to original settings (not applicable with all appliances).
Remote control does not work.	Low/dead batteries.	Replace batteries in remote control.
	Remote receiver malfunction.	Ensure remote receiver is not blocked. Replace control panel.
No warm air coming out of the appliance.	Heater setting not selected.	See "operation" section.
	Heater has been locked out.	See "operation" section.
	Room temperature is higher than appliance setting (if set to room temperature).	Reset temperature setting.
	Appliance has overheated and safety thermal switch has tripped.	Unplug power or turn off the circuit breaker. Allow for appliance to cool for 15 minutes.
	Heater issue.	Inspect the blower and heater and replace, if necessary.
Heater shuts off automatically.	Room is too warm.	The heater has a built-in thermostat so it will shut off automatically once the pre-set temperature is reached. It will also turn on automatically if the room temperature drops below the pre-set temperature.
Dim or no flame.	Flame brightness not selected.	See "operation" section.
	Flame LEDs issue.	Inspect the LED and replace, if necessary.
	Main PCB board issue.	Inspect the main PCB board and replace, if necessary.
Flame does not move.	Motor is stalled/malfunctioning.	Cycle on/off. If problem persists, consult dealer.

<b>symptom</b>	<b>problem</b>	<b>solution</b>
Ember bed is not glowing or dimming.	Brightness not selected.	See “operation” section.
	Ember LED issue.	Inspect the ember bed LEDs and replace, if necessary.
	Main PCB board issue.	Inspect the main PCB board and replace, if necessary.
LED flashing “OH”.	Appliance has overheated and safety thermal switch has tripped.	Unplug power or turn off the circuit breaker. Allow appliance to cool for 15 minutes, then plug in the appliance or turn the breaker on. If problem persists, consults your dealer.

**Napoleon** electric appliances are manufactured under the strict Standard of the world recognized ISO 9001 : 2015 Quality Management System.

**Napoleon** products are designed with superior components and materials and assembled by trained craftsmen who take great pride in their work. Once assembled, the complete appliance is thoroughly inspected by a qualified and authorized installer, service agency, or supplier before packing to ensure that you, the customer, receive the quality product that you expect from **Napoleon**.

### **Napoleon Electric Appliance Limited Warranty**

Electrical components and wearable parts are covered and **Napoleon** will provide replacement parts free of charge during the first 2 years of limited warranty. This covers: fan/heaters, motors, switches, nylon bearing components, remote controls, and LED lights.\*

Light bulbs and fuses are NOT covered by the warranty.

Any labour related to warranty repair is not covered.

\* Construction of models vary. Warranty applies only to components included with your specific appliance.

### **Conditions and Limitations**

**Napoleon** warrants its products against manufacturing defects to the original purchaser only. Registering your warranty is not necessary. Simply provide your proof of purchase along with the model and serial number to make a warranty claim. Provided that the purchase was made through an authorized **Napoleon** dealer, your appliance is subject to the following conditions and limitations:

Warranty coverage begins on the date of original installation.

This factory warranty is non-transferable and may not be extended whatsoever by any of our representatives.

Installation must be done in accordance with the installation instructions included with the product and all local and national building and fire codes.

This limited warranty does not cover damages caused by misuse, lack of maintenance, accident, alterations, abuse, or neglect and parts installed from other manufacturers will nullify this warranty.

This limited warranty further does not cover any scratches, dents, corrosion, or discolouring caused by excessive heat, abrasive and chemical cleaners, nor chipping on porcelain enamel parts, mechanical breakage of PHAZER™ logs.

In the first 2 years only, this warranty extends to the repair or replacement of warranted parts which are defective in material or workmanship, provided that the product has been operated in accordance with the operation instructions and under normal conditions.

**Napoleon** will not be responsible for installation, labour, or any other expenses related to the reinstallation of a warranted part, and such expenses are not covered by this warranty. Notwithstanding any provisions contained in the Limited Warranty, **Napoleon** responsibility under this warranty is defined as above, and it shall not in any event extend to any incidental, consequential, or indirect damages.

This warranty defines the obligations and liability of **Napoleon** with respect to the **Napoleon** electric appliance and any other warranties expressed or implied with respect to this product; its components or accessories are excluded.

**Napoleon** neither assumes, nor authorizes any third party to assume, on its behalf, any other liabilities with respect to the sale of this product.

Any damages to appliance, brass trim or other component due to water, weather damage, long periods of dampness, condensation, damaging chemicals, or cleaners will not be the responsibility of **Napoleon**.

**Napoleon** reserves the right to have its representative inspect any product or part thereof prior to honouring any warranty claim.

All parts replaced under the Limited Warranty Policy are subject to a single claim.

All parts replaced under the warranty will be covered for a period of 90 days from the date of their installation.

The manufacturer may require that defective parts or products be returned or that digital pictures be provided to support the claim. Returned products are to be shipped prepaid to the manufacturer for investigation. If a product is found to be defective, the manufacturer will repair or replace such defect.

Before shipping your appliance or defective components, your dealer must obtain an authorization number. Any merchandise shipped without authorization will be refused and returned to sender.

Shipping costs are not covered under this warranty.

Additional service fees may apply if you are seeking warranty service from a dealer.

All specifications and designs are subject to change without prior notice due to on-going product improvements. **Napoleon** is a registered trademark of Wolf Steel Ltd.

# NAPOLEON CELEBRATING OVER 40 YEARS OF HOME COMFORT PRODUCTS



**WEEE:**



**Meaning of crossed-out wheeled dustbin:**

**Do not dispose of electrical appliances as unsorted municipal waste, use separate collection facilities. Contact your local government for information regarding the collection systems available. If electrical appliances are disposed of in landfills or dumps, hazardous substances can leak into the groundwater and get into the food chain, damaging your health and well-being.**

**When replacing old appliances with new ones, the retailer is legally obligated to take back your old appliance for disposals at least free of charge.**



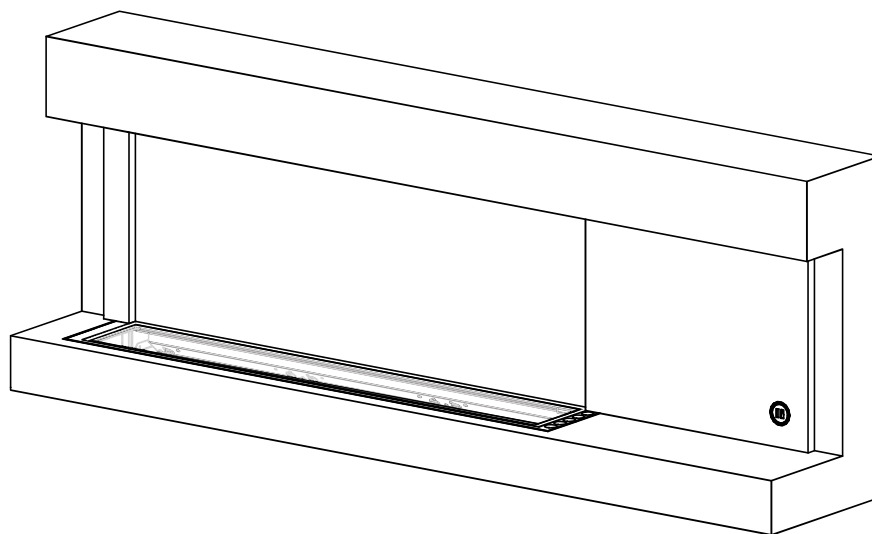
7200, Route Transcanadienne, Montréal, Québec H4T 1A3  
24 Napoleon Road, Barrie, Ontario, Canada L4M 0G8  
214 Bayview Drive, Barrie, Ontario, Canada L4N 4Y8  
103 Miller Drive, Crittenden, Kentucky, USA 41030  
De Riemsdijk 22, 4004 LC Tiel, The Netherlands  
napoleon.com





# MANUEL D'INSTALLATION ET D'UTILISATION

## Foyer électrique mural Stylus Steinfeld



### CONSIGNES DE SÉCURITÉ

#### **! AVERTISSEMENT**

#### **RISQUE D'INCENDIE OU D'EXPLOSION**

Si ces instructions ne sont pas suivies à la lettre, un incendie pourrait s'ensuivre causant des dommages matériels, des blessures corporelles ou des pertes de vie.

- N'entreposez pas et n'utilisez pas d'essence ou autres liquides et vapeurs inflammables à proximité de cet appareil ou tout autre appareil.

#### **INSTALLATEUR:**

Laissez ce manuel avec l'appareil

#### **PROPRIÉTAIRE:**

Conservez ce manuel pour consultation ultérieure.

### UTILISATION EN INTÉRIEUR UNIQUEMENT

IMPORTÉ PAR WOLF STEEL EUROPE (PAYS-BAS)



Wolf Steel Europe BV  
De Riemsdijk 22, 4004 LC Tiel, Pays-Bas

## AVERTISSEMENT

- **Si équipé avec un chauffage, cet appareil peut être chaud lorsqu'il fonctionne et peut causer de graves brûlures en cas de contact.**
- Ne faites pas fonctionner l'appareil avant d'avoir lu et compris les instructions d'utilisation. L'incapacité de respecter les instructions pourrait causer un incendie ou des blessures corporelles.
- N'installez pas de composants endommagés ou incomplets, ni des composants de substitution.
- Ne brûlez pas de bois ou autres matériaux dans cet appareil.
- Tous les appareils électriques contiennent des composants internes qui deviennent chauds et qui produisent des étincelles. N'utilisez pas cet appareil dans des endroits où de l'essence, des peintures ou d'autres liquides inflammables sont présents.
- Les grillages de sécurités ou écrans enlevés pour faire l'entretien devront être remis en place avant d'utiliser l'appareil.
- Il est primordial de garder propres les compartiments de contrôle, les brûleurs, la soufflerie, les bouches d'air de l'appareil ainsi que le système d'évacuation. L'appareil et son système d'évacuation doivent être inspectés avant la première utilisation et au moins une fois l'an par un spécialiste en entretien. Un entretien plus fréquent pourrait être nécessaire en raison des peluches provenant des tapis, literie, etc. L'emplacement de l'appareil doit être gardé libre de tous matériaux combustibles, essence ou autres liquides et vapeurs inflammables.
- Cet appareil ne devra être modifié en aucun cas.
- N'utilisez pas cet appareil si une partie quelconque a été submergée. Contactez immédiatement un technicien de service qualifié pour inspecter l'appareil et pour remplacer toute pièce du système de contrôle qui aurait été submergée.
- Si équipé avec une porte vitrée, n'opérer pas l'appareil lorsque la porte vitrée est enlevée, fissurée ou brisée. Le remplacement de la vitre devra être effectué par un technicien de service certifié ou qualifié.
- Si équipé avec un porte vitrée, ne frappez pas et ne claquez pas la porte vitrée de l'appareil.
- Les matériaux d'emballage doivent être gardés hors de la portée des enfants et mis au rebut de façon sécuritaire. Comme tous les emballages de plastique, ceux-ci ne sont pas des jouets et doivent demeurer hors de la portée des enfants et des bébés.
- L'entretien ne doit être effectué que lorsque l'appareil est débranché du circuit électrique.
- Débranchez toujours l'appareil lorsqu'il n'est pas utilisé.
- N'utilisez pas l'appareil si le cordon d'alimentation ou la fiche sont endommagés, s'il ne fonctionne pas bien, ou s'il a été échappé ou endommagé d'une quelconque façon. Retournez l'appareil à un centre de service autorisé pour une inspection, des ajustements électriques ou mécaniques ou une réparation.
- N'utilisez pas cet appareil à l'extérieur.
- Lorsque vous installez cet appareil dans une pièce où l'eau est présente, l'installation doit se conformer aux codes reconnaissant le risque accru de décharge électrique et d'électrocution.

**note:**

Cet appareil NE PEUT PAS être installé dans une salle de bain.

- Ne passez pas le cordon d'alimentation sous un tapis. Ne recouvrez pas le cordon avec des carpettes, des tapis de couloir ou autres revêtements similaires. Évitez de placer le cordon dans un endroit passant ou à un endroit où il risque de causer des chutes.
- Branchez seulement dans une prise de courant adéquatement mise à la terre.
- N'insérez pas d'objets dans les ouvertures d'entrée d'air ou de sortie d'air puisque cela risque d'endommager l'appareil ou causer des chocs électriques ou un incendie.
- Il est normal que votre appareil électrique produise du bruit, surtout s'il est installé dans un endroit calme comme un chambre à coucher.

## AVERTISSEMENT

- Pour prévenir les risques d'incendie, ne bloquez pas les entrées d'air et les sorties d'air de quelque manière que ce soit. Ne placez pas cet appareil sur une surface molle telle qu'un tapis où les ouvertures pourraient se bloquer.
- Toujours brancher l'appareil directement dans une prise murale. N'utilisez pas de cordons d'alimentation ou une robinet d'alimentation relogeables (alimentation/multiprise).
- Cet appareil a été testé et homologué pour usage avec les accessoires optionnels listés dans ce manuel uniquement. L'utilisation d'accessoires optionnels qui n'ont pas été spécifiquement testés pour cet appareil électrique annulera la garantie de l'appareil et/ou présentera des risques pour la sécurité.

### **Pour les appareil équipé avec chauffage:**

- Risque de brûlures. L'appareil doit être éteint et refroidi avant d'effectuer l'entretien. Pour débrancher l'appareil, mettez d'abord les boutons de contrôle à « OFF » puis retirez la fiche de la prise de courant.
- Les jeunes enfants doivent être supervisés attentivement lorsqu'ils sont dans la même pièce que l'appareil recommandés s'il y a dans la maison des individus à risque. Les jeunes enfants et autres personnes sont sujets aux brûlures accidentelles. Une barrière de protection est recommandée s'il y a dans la maison des individus à risque. Afin de restreindre l'accès à l'appareil, installez une barrière de protection ajustable pour garder les jeunes enfants ou autres personnes à risque hors de la pièce et loin des surfaces chaudes.
- Les vêtements et autres matériaux combustibles ne doivent pas être posés sur l'appareil ou à proximité.
- En raison des températures élevées, l'appareil devrait être placé loin des endroits passants et loin des meubles et des rideaux.
- Assurez-vous de disposer de mesures de sécurité adéquates pour empêcher les jeunes enfants de toucher aux surfaces chaudes.
- Même lorsque l'appareil est éteint, la porte et l'écran demeureront chauds pendant un bon moment.
- Consultez votre détaillant local de foyer pour connaître les grillages de sécurité et les écrans offerts pour protéger les enfants des surfaces chaudes. Ces grillages de sécurité et ces écrans doivent être fixés au plancher.
- Assurez-vous de respecter les dégagements aux matériaux combustibles lorsque vous installez un manteau ou des tablettes au-dessus de l'appareil. Les téléviseurs et autres composants électroniques sournis à des températures élevées peuvent fondre, se déformer, se décolorer et entraîner des défaillances prématurées de ces appareils.
- L'élément chauffant ne doit pas être installé à proximité d'une prise de courant.
- À condition d'avoir été guidés ou informés des instructions concernant l'utilisation de l'appareil en toute sécurité, ainsi que des risques encourus, les enfants âgés de plus de 8 ans, les personnes souffrant d'un handicap physique, sensoriel ou mental et les personnes inexpérimentées ou manquant de connaissances dans ce domaine peuvent utiliser cet appareil. Cet appareil n'est pas un jouet. L'entretien et la maintenance ne doivent pas être effectués par des enfants sans supervision.

** AVERTISSEMENT: Ce produit peut vous exposer à des substances chimiques incluant le plomb et les composés de plomb qui, selon l'État de Californie, causeraient le cancer, et des substances chimiques incluant le BBP et DEHP qui, selon d'État de Californie, causeraient des malformations congénitales ou autres dangers pour la reproduction. Pour de plus amples renseignements, visitez le [www.P65Warnings.ca.gov](http://www.P65Warnings.ca.gov).**

# table de matières

FR

<b>1.0</b>	<b>informations générales</b>	<b>29</b>
1.1	présentation de l'appareil	29
1.1.1	e-box & cadre	29
1.1.2	fonctionnalités	29
1.2	dimensions	30
1.3	fiche technique et homologation	30
1.4	instructions générales	31
1.5	déballage & test de l'appareil	31
1.6	informations de la plaque signalétique	31
1.7	liste du matériel	32
<b>2.0</b>	<b>installation</b>	<b>33</b>
2.1	emplacement de l'appareil	33
2.2	espace minimum requis pour les matériaux combustibles	34
2.3	espace minimum requis pour le manteau	34
2.4	installation de l'appareil sur le mur (fixation murale)	35
<b>3.0</b>	<b>mode d'emploi</b>	<b>37</b>
3.1	utilisation du panneau de commande	37
3.2	utilisation de la télécommande	38
3.3	réglages du programmateur sur la télécommande	40
3.3.1	set current day and time	40
3.3.2	réglage de la date et l'heure	40
3.3.3	détection de fenêtre ouverte	41
<b>4.0</b>	<b> finition</b>	<b>42</b>
4.1	installation des braises en bois	42
4.2	installation des bûches en vigne rouge et bois flotté	42
<b>5.0</b>	<b>pièces de rechange</b>	<b>43</b>
5.1	vue d'ensemble	44
<b>6.0</b>	<b>guide de dépannage</b>	<b>45</b>
<b>7.0</b>	<b>garantie</b>	<b>47</b>

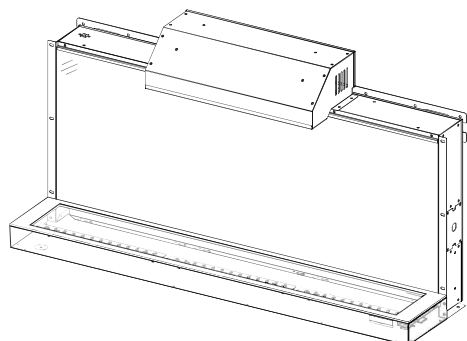
## Remarque :

Les informations contenues dans ce manuel sont considérées comme étant correctes au moment de l'impression. Wolf Steel Ltd se réserve le droit de changer ou de modifier toute information présente dans ce manuel, à tout moment et sans préavis. Toute modification, autre qu'éditoriale, est signalée par une ligne verticale dans la marge.

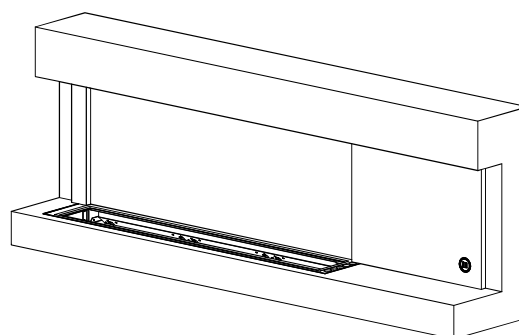
## 1.1 présentation de l'appareil

### 1.1.1 e-box & cadre

Votre appareil électrique NEFP32-5320BW-EU est entièrement pré-assemblé, à l'exception de l'unité (consulter la section « finition » pour plus d'informations). Il est constitué de deux éléments :



**NEFLC32H-EU**  
**E-Box**



**NEFS32-5320BW**  
**Cadre**

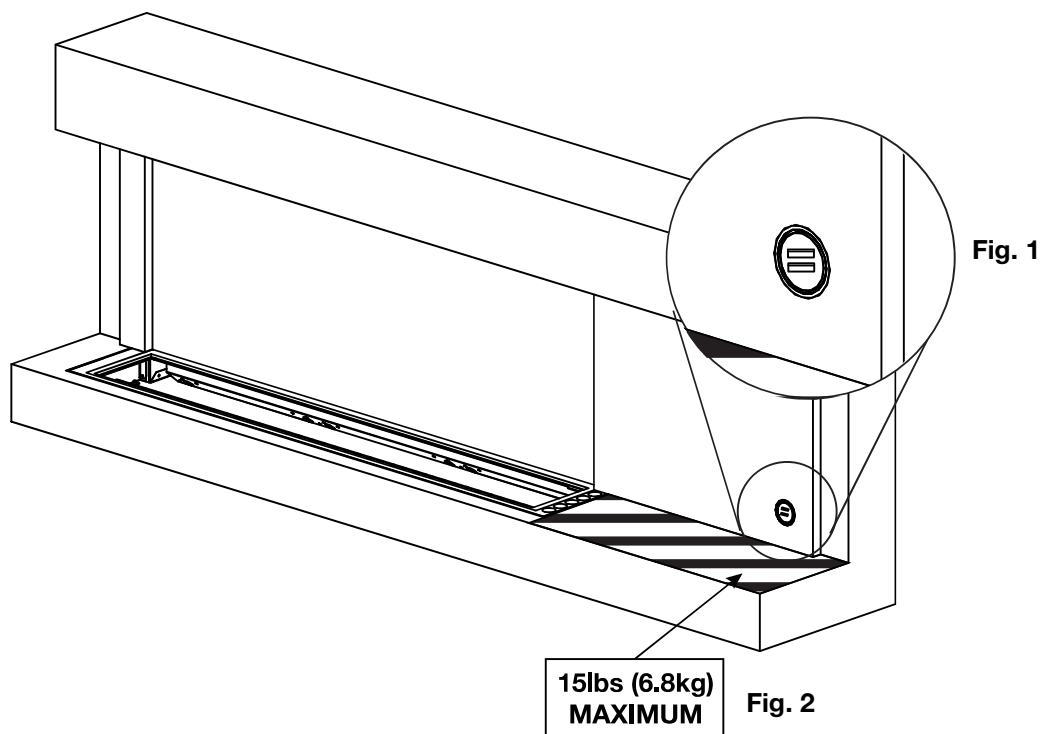
### 1.1.2 fonctionnalités

Cet appareil comprend un port de chargement USB situé sur le côté droit du cadre NEFS32-5320BW (**Fig. 1**). Consulter la section « mode d'emploi » pour plus d'informations.

**Remarque :**

Il est possible que ce port de chargement USB ne soit pas compatible avec tous les modèles de téléphones.

Le cadre NEFS32-5320BW ne peut supporter de charge QUE sur la zone hachurée (**Fig.2**), et dans la limite de 6,8 kg. Ne placer aucun objet sur les autres parties de l'appareil.

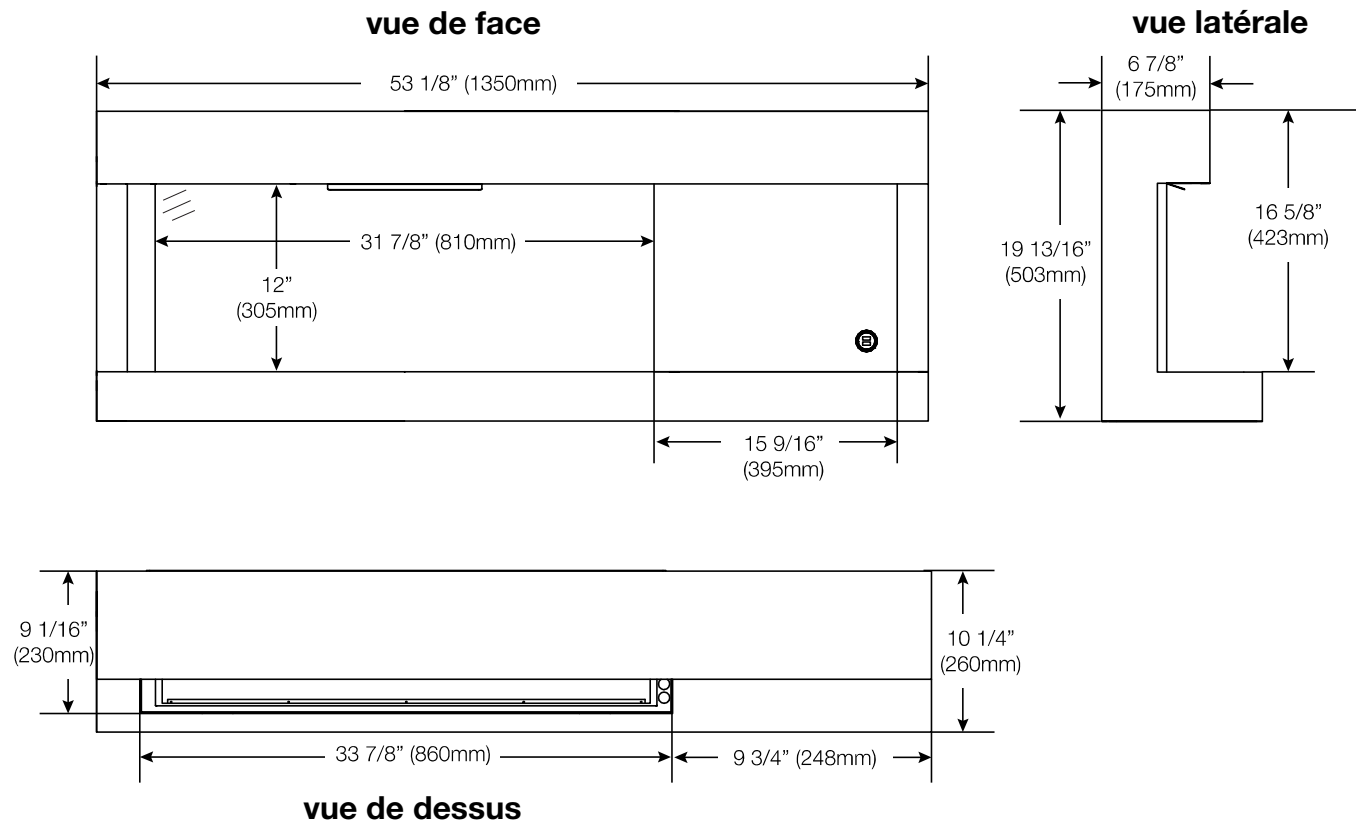


Les piles doivent être mises au rebut conformément aux lois et à la réglementation locales. Certaines piles peuvent être recyclées dans votre centre de recyclage local. Renseignez-vous auprès de votre municipalité au sujet des directives de recyclage.

# informations générales

FR

## 1.2 dimensions



## 1.3 fiche technique et homologation

<b>Numéro de modèle</b>	NEFP32-5320BW-EU
<b>Description</b>	Appareil électrique mural style contemporain, 1499mm (59")
<b>Tension</b>	220-240 VAC
<b>Watts</b>	Max 1400-1600W
<b>Ampères</b>	Circuit de mise à la terre de 10 A
<b>Largeur de l'appareil</b>	53 1/8" (1350mm)
<b>Hauteur de l'appareil</b>	19 11/16" (500mm)
<b>Profondeur de l'appareil</b>	10 1/4" (260mm)
<b>Poids net</b>	61lbs (27,8kg)
<b>Poids brut</b>	91lbs (41,5kg)

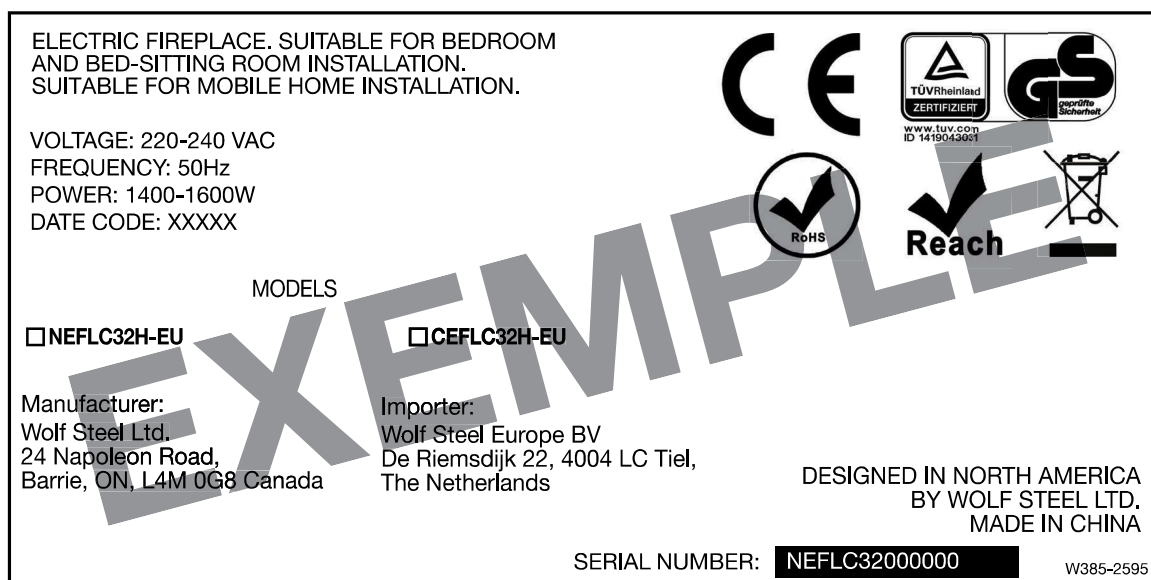
## 1.4 instructions générales

- Avant de brancher votre appareil dans une prise de courant, vérifiez si le disjoncteur de la maison pour ce circuit est allumé.
- Il est possible que l'appareil dégage une légère odeur inoffensive lors de la première utilisation. Cela est une condition normale causée par le chauffage initial des éléments de l'appareil. Elle ne se reproduira plus.
- Si votre appareil n'émet pas de chaleur lorsqu'il est sollicité, consultez la section « fonctionnement » de ce manuel pour de plus amples renseignements.
- Ne faites pas passer le cordon d'alimentation directement sous l'appareil.

## 1.5 déballage & test de l'appareil

Retirer délicatement l'appareil de la boîte, ainsi que les supports de fixation murale. Avant d'installer l'appareil, retirer tous les matériaux d'emballage et s'assurer du bon fonctionnement de l'appareil en branchant le câble d'alimentation dans une prise de terre de 220-240 V, 10 A minimum, prévue à cet effet.

## 1.6 informations de la plaque signalétique



L'illustration ci-dessous n'est donnée qu'à titre de référence. Pour des informations précises concernant l'appareil, consulter la plaque signalétique.

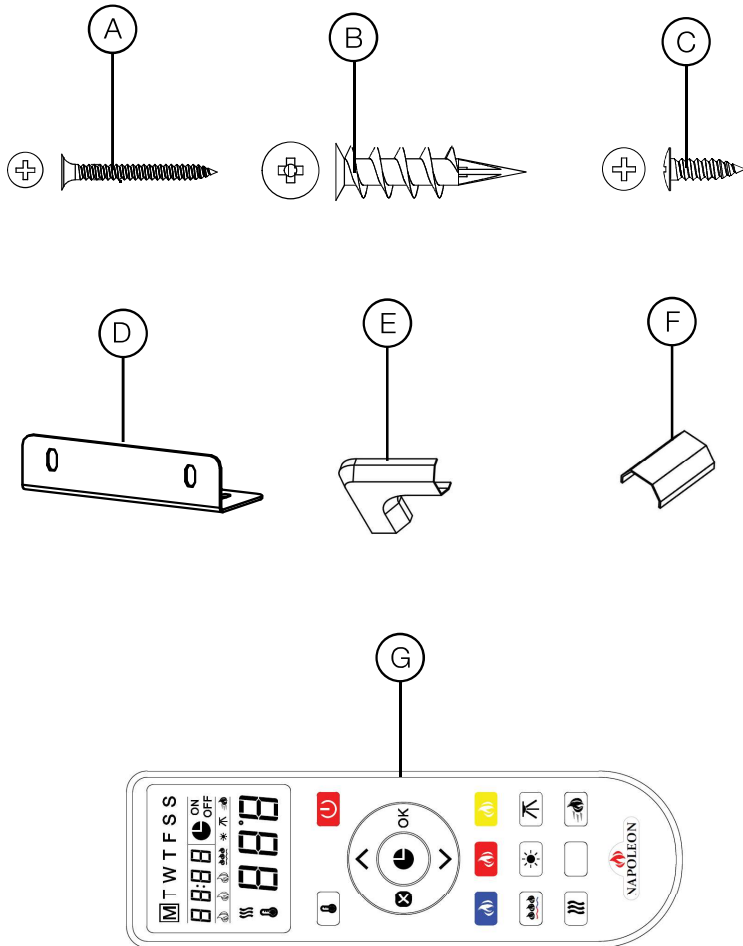
**Remarque :**

La plaque signalétique doit toujours rester à proximité de l'appareil. Elle ne doit pas être retirée.

# informations générales

FR

## 1.7 liste du matériel



	Description	Quantité
<b>A</b>	Vis à bois	18
<b>B</b>	Chevilles pour placoplâtre	
<b>C</b>	Vis à métal ST4x12	4
<b>D</b>	Support de fixation	2
<b>E</b>	Angle de goutte	
<b>F</b>	Goutte	
<b>G</b>	Télécommande	1



### **AVERTISSEMENT**

- Risque d'incendie! Le cordon d'alimentation ne doit pas être coincé contre une arrête vive. Fixez le cordon pour éviter les chutes ou les accrochages afin de réduire le risque d'incendie, de choc électrique ou de blessures corporelles. Ne passez pas le cordon d'alimentation sous un tapis. Ne recouvrez pas le cordon avec des carpettes, des tapis de couloir ou autres revêtements similaires. Évitez de placer le cordon dans un endroit passant ou à un endroit où il risque de causer des chutes.
- Risque d'incendie! Pour prévenir les risques d'incendie, ne bloquez pas les entrées d'air et les sorties d'air de quelque manière que ce soit. Ne placez pas cet appareil sur une surface molle où les ouvertures pourraient se bloquer.
- Risque d'incendie! Ne soufflez pas ou ne placez pas d'isolant contre l'appareil.
- Cet appareil électrique a été testé et homologué pour usage avec les accessoires optionnels listés dans ce manuel uniquement. L'utilisation d'accessoires optionnels qui n'ont pas été spécifiquement testés pour cet appareil électrique annulera la garantie de l'appareil et/ou présentera des risques pour la sécurité.
- Si ces instructions ne sont pas suivies à la lettre, un incendie ou une explosion pourraient s'ensuivre, causant des dommages matériels, des blessures corporelles ou des pertes de vie. N'entrez pas et n'utilisez pas d'essence ou autres vapeurs inflammables à proximité de cet appareil ou tout autre appareil.
- Étant donné la lourdeur de cet appareil, il est recommandé que deux personnes en fassent l'installation.
- Si votre appareil est équipé avec chauffage, assurez-vous que les ouvertures de la chauffage ne peut pas, dans aucune façon, être recouverts car il peut provoquer un incendie.
- N'exécutez pas le cordon d'alimentation horizontalement, directement en dessous de l'appareil.

Votre appareil se fixe au mur. Choisir un emplacement adapté, à l'abri de l'humidité, sans passages fréquents et sans meubles et tissus à proximité.

#### **Remarque :**

Suivre toutes les réglementations électriques locales et nationales.

### 2.1 emplacement de l'appareil

#### **AVERTISSEMENT**

- En raison des températures très élevées qu'il produit, l'appareil ne doit pas être placé dans une zone de passages fréquents. Maintenir toute matière combustible, tels que des meubles, des coussins, des draps, du papier, des habits, des rideaux et autres objets similaires à au moins 91,4 cm de l'avant de l'appareil.
- Ne jamais placer l'appareil électrique à un endroit où il risquerait de tomber dans un récipient d'eau.
- Porter des gants et des lunettes de protection pendant l'installation et l'entretien.
- Afin d'éviter tout contact avec un affaissement ou une partie détachée de l'isolant, l'appareil électrique ne doit pas être installé contre un pare-vapeur ou un isolant exposé. Une surchauffe localisée pourrait se produire, risquant d'entraîner un incendie.
- L'appareil électrique ne doit pas être exposé aux éléments (pluie, etc.).

# installation

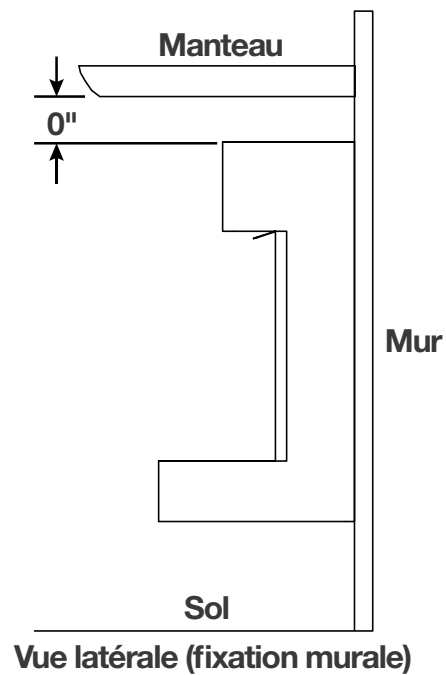
## FR 2.2 espace minimum requis pour les matériaux combustibles

Espace requis pour les matériaux combustibles	
Espace requis au-dessus	0 mm
Espace requis en dessous	
Espace requis sur les côtés	
Espace requis à l'arrière	

## 2.3 espace minimum requis pour le manteau

### AVERTISSEMENT

- En cas d'utilisation de peinture ou de laque pour les finitions du manteau, s'assurer que ces produits sont résistants à la chaleur afin d'éviter une décoloration.



## 2.4 installation de l'appareil sur le mur (fixation murale)

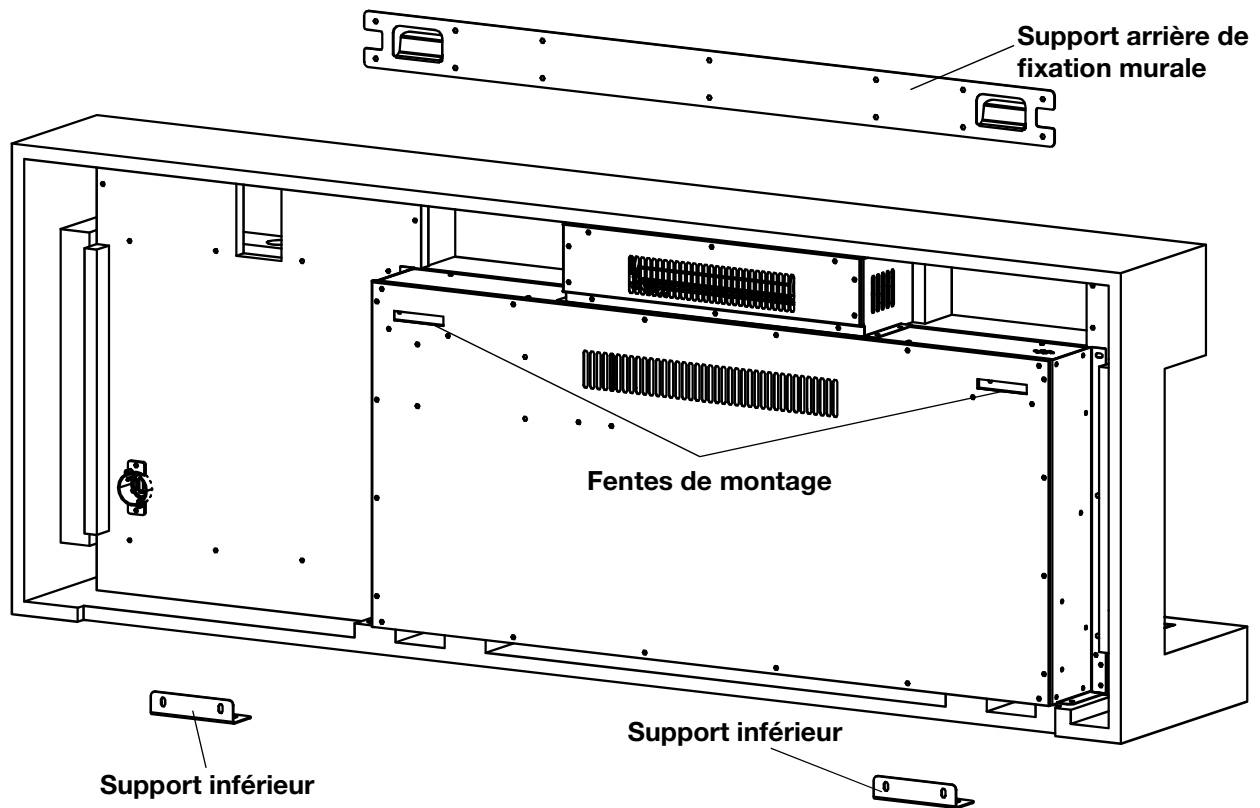
### ⚠ AVERTISSEMENT

- Contacter votre détaillant local avant d'installer l'appareil. L'appareil doit être installé selon les codes de construction locaux.
- L'appareil doit être installé à un endroit qui n'est pas exposé à l'humidité.
- L'appareil doit être installé à 91,4 cm au minimum de matériaux combustibles tels que des rideaux, des meubles, des draps, du papier, etc.

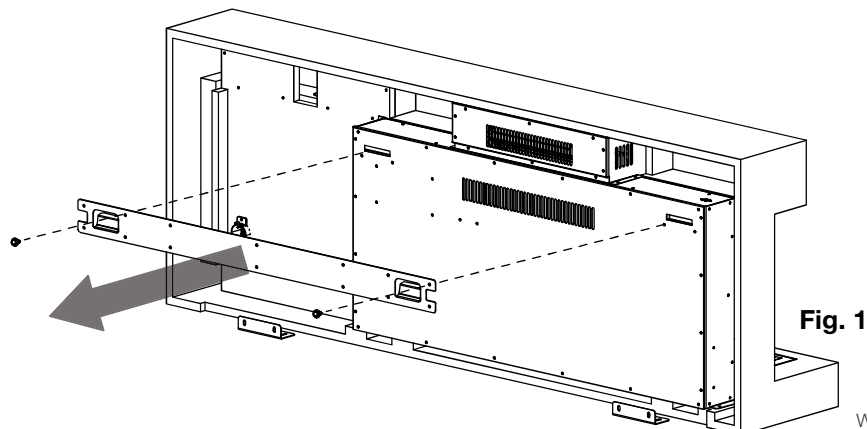
#### Remarque :

Il est recommandé d'être à deux pour installer cet appareil.

### Présentation de l'appareil

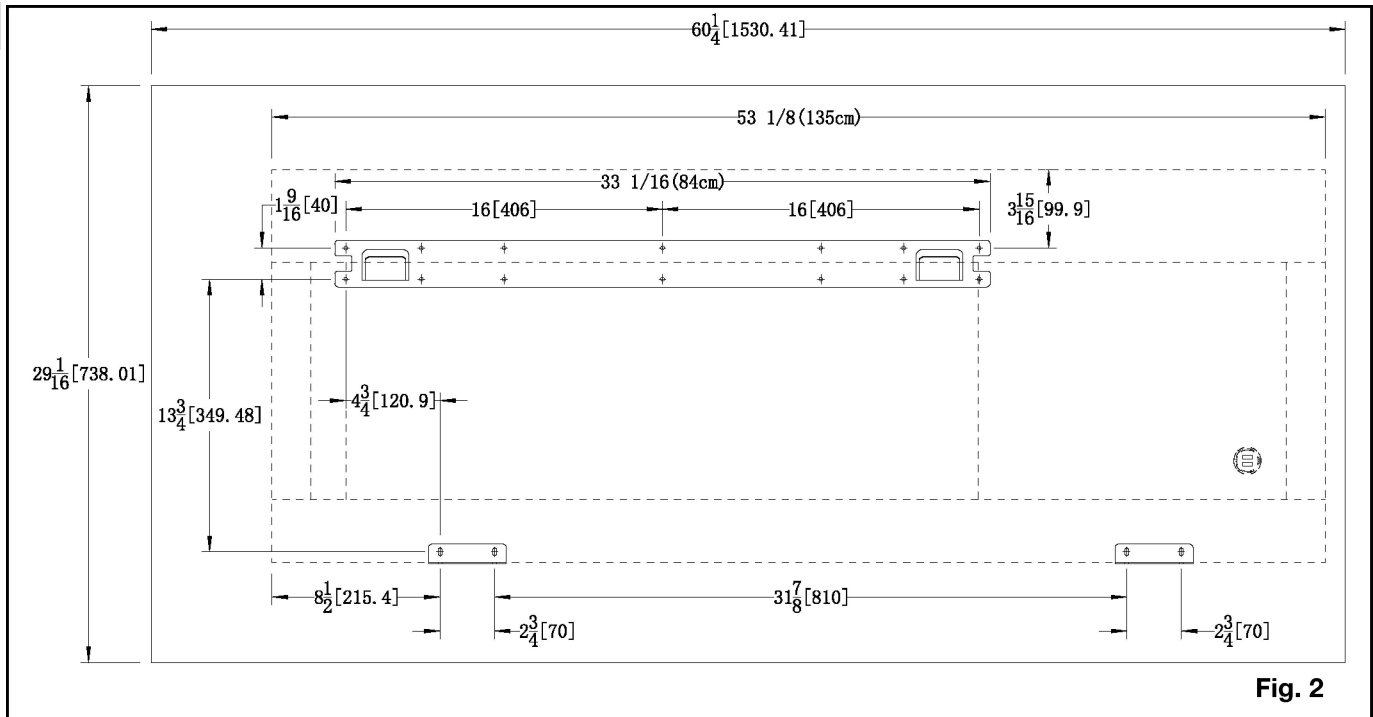


1. Il est recommandé que deux personnes tiennent l'appareil contre le mur pour déterminer l'emplacement final.
2. Placer l'appareil sur une surface souple, non abrasive et plate. Enlever le support de fixation murale à l'arrière de l'appareil en retirant les 2 vis (**Fig. 1**).




# installation

FR



**Fig. 2**

3. À l'aide du modèle d'installation de la fixation murale(**Fig. 2**), marquer au crayon sur le mur les emplacements du support de fixation arrière et des supports de fixation inférieurs.


4. Installer le support de fixation arrière sur le mur avec 14 vis (fournies).  **A x14**

**Remarque :**

Les crochets du support arrière de fixation murale doivent impérativement être tournés vers le haut et être à niveau.

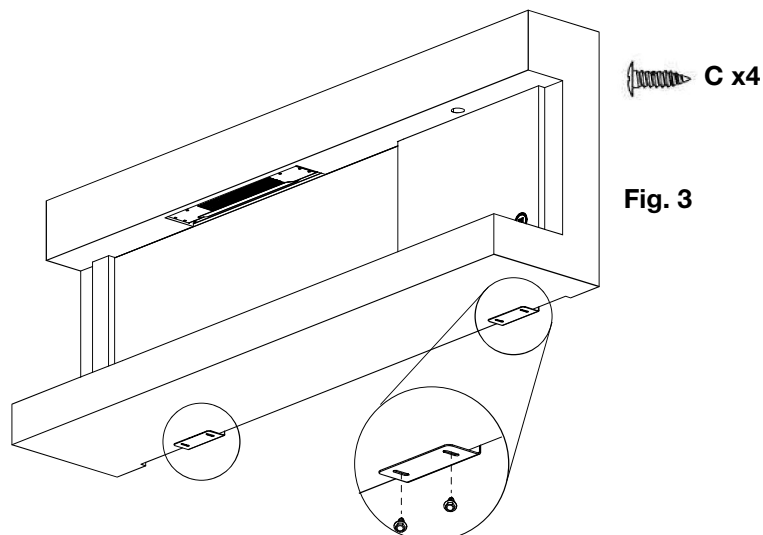
**Remarque :**

Il est fortement recommandé de visser le support de fixation arrière aux montants de la cloison lorsque cela est possible. Si les montants du mur ne peuvent pas être utilisés, il est nécessaire d'utiliser les chevilles en plastique fournies pour fixer le support au mur, puis de s'assurer que celui-ci est solidement fixé.

5. Installer les supports de fixation inférieurs sur le mur avec 4 vis (fournies).  **A x4**

6. Soulever l'appareil jusqu'à ce que les crochets du support de fixation arrière soient entièrement insérés dans les deux fentes de montage. Faire glisser l'appareil vers le bas jusqu'à la fixation complète.

7. Fixer l'appareil aux supports inférieurs avec 4 vis (fournies)(**Fig. 3**).









**Fig. 3**

## AVERTISSEMENT

- Il est nécessaire de s'assurer que les disjoncteurs d'alimentation du domicile sont allumés. Lors du premier branchement de l'appareil à une source d'alimentation, celui-ci émet un bip, puis reste éteint jusqu'à sa mise en marche.

### 3.1 utilisation du panneau de commande

Le panneau de commande est situé sur le côté droit de l'appareil.

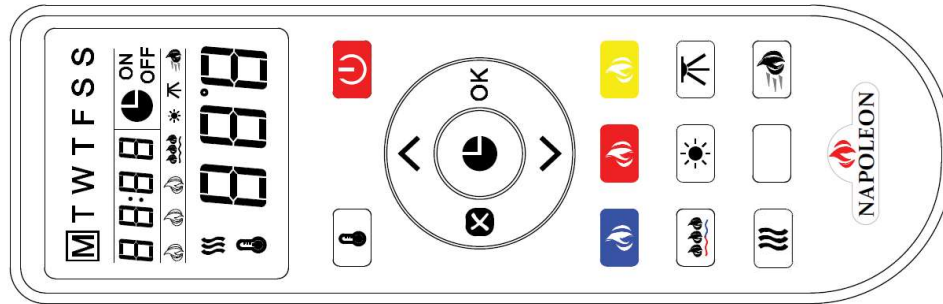
<b>Alimentation</b>		Allume/éteint l'appareil.
<b>Contrôle de la lumière d'accent</b>		Contrôle la lumière située sur le côté.  <b>Réglages :</b> d8 - Blanc froid & blanc chaud, 100 % de luminosité pour les deux d7 - Blanc froid & blanc chaud, 75 % de luminosité pour les deux d6 - Blanc froid & blanc chaud, 50 % de luminosité pour les deux d5 - Blanc froid & blanc chaud, 25 % de luminosité pour les deux d4 - Blanc chaud avec 100 % de luminosité d3 - Blanc chaud avec 50 % de luminosité d2 - Blanc froid avec 100 % de luminosité d1 - Blanc froid avec 50 % de luminosité d0 - Lumière d'accent éteinte
<b>Contrôle de la lumière de la flamme</b>		Contrôle la flamme.  <b>8 modes :</b> F0 - Flamme éteinte F1 - Flamme orange F2 - Flamme jaune F3 - Flamme bleue F4 - Flamme jaune / orange F5 - Flamme orange / bleue F6 - Flamme jaune / bleue F7 - Flamme jaune / orange / bleue
<b>Commande °F / °C</b>		Change l'unité de température de Fahrenheit à Celsius, et inversement. Appuyer sur le bouton de la flamme pendant 5 secondes.
<b>Réglage du chauffage</b>		Allume/éteint le chauffage et la soufflerie.  <b>4 modes :</b> H0 - Chauffage et soufflerie éteints bL - Soufflerie allumée H1 - Chaleur basse H2 - Chaleur élevée
<b>Verrouillage du chauffage</b>		LO - Le bouton du chauffage peut être verrouillé ou déverrouillé en appuyant dessus pendant 5 secondes.













# mode d'emploi

FR

## 3.2 utilisation de la télécommande



<b>Alimentation</b>		Allume/éteint l'appareil.
<b>Flamme bleue</b>		Contrôle l'intensité lumineuse de la flamme.
<b>Flamme orange</b>		<b>Modes :</b> F4 - Intensité maximale de la flamme F3 - Intensité forte de la flamme F2 - Intensité moyenne de la flamme F1 - Intensité basse de la flamme F0 - Flamme éteinte
<b>Flamme jaune</b>		
<b>Chauffage</b>		Allume/éteint le chauffage et la soufflerie.  <b>Modes :</b> H0 - Chauffage et soufflerie éteints bL - Soufflerie allumée H1 - Chaleur basse H2 - Chaleur élevée
<b>Vitesse de la flamme</b>		Contrôle la vitesse de mouvement de la flamme.  <b>Modes :</b> 01 - le plus lent 02 03 04 05 - le plus rapide
<b>Contrôle de la lumière d'accent</b>		Contrôle la lumière située sur le côté.  <b>Modes :</b> d8 - Blanc froid & blanc chaud, 100 % de luminosité pour les deux d7 - Blanc froid & blanc chaud, 75 % de luminosité pour les deux d6 - Blanc froid & blanc chaud, 50 % de luminosité pour les deux d5 - Blanc froid & blanc chaud, 25 % de luminosité pour les deux d4 - Blanc chaud avec 100 % de luminosité d3 - Blanc chaud avec 50 % de luminosité d2 - Blanc froid avec 100 % de luminosité d1 - Blanc froid avec 50 % de luminosité d0 - Lumière d'accent éteinte

<p><b>Couleur du lit de braises</b></p>		<p>Contrôle la lumière du lit de braises.</p> <p><b>Modes :</b>          L0 - Lit de braises éteint          L1 - Blanc          L2 - Bleu          L3 - Vert          L4 - Rouge          L5 - Jaune          L6 - Violet          L7 - Alternance automatique de blanc, bleu, vert, rouge, jaune et violet.</p> <p><b>(REMARQUE : le passage d'une couleur à l'autre prend 8,5 secondes.)</b></p> <p>L8 - Verrouillage de la couleur souhaitée</p>
<p><b>Intensité lumineuse du lit de braises</b></p>		<p>Contrôle l'intensité lumineuse du lit de braises.</p> <p><b>Modes :</b>          b5 - Effet d'illumination progressive de b1 à b4          b4 - Intensité maximale          b3 - Intensité forte          b2 - Intensité moyenne          b1 - Intensité basse</p>
<p><b>Réglage de la température</b></p>		<p>Contrôle la température.</p> <p><b>Modes :</b>          18° C [64° F]          19° C [66° F]          20° C [68° F]          21° C [70° F]          22° C [72° F]          23° C [74° F]          24° C [76° F]          25° C [78° F]          26° C [80° F]          27° C [82° F]          et OFF (éteint)</p> <p><b>REMARQUE :</b> il est possible de changer l'unité de température de Fahrenheit à Celsius, et inversement. Pour ce faire, appuyer sur le bouton de température pendant 5 secondes.</p>
<p><b>Port de chargement USB</b></p>		<p><b>Téléphone en charge :</b> voyant rouge</p> <p><b>Téléphone chargé :</b> voyant vert</p> <p><b>REMARQUE :</b> il ne s'agit que d'une indication approximative du niveau de charge du téléphone. Vérifier sur le téléphone pour connaître le niveau de charge exact.</p> <p>Consulter la section « fonctionnalités » pour plus d'informations sur le port de chargement USB.</p>





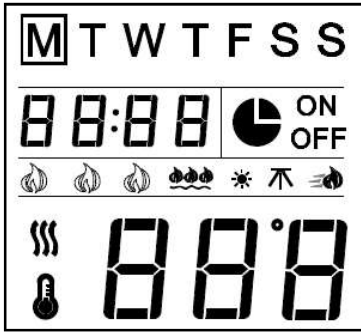
**note:**

Les boutons sans icônes doivent être considérés comme des boutons sans aucune fonction.





# mode d'emploi

FR



## 3.3 réglages du programmeur sur la télécommande

 <b>Programmeur :</b> affiche le jour, l'heure et la semaine. Appuyer pour régler ou confirmer les paramètres du programmeur.		
<b>OK</b> <b>Réglages :</b> appuyer pour passer à l'étape suivante (à utiliser avec le bouton Programmeur). Appuyer pour confirmer le programmeur hebdomadaire.		
 <b>Retour :</b> appuyer pour effacer les réglages du programmeur. Appuyer pour revenir à l'étape suivante (à utiliser avec le bouton Réglages).		
 <b>Haut et bas :</b> à utiliser avec le bouton Réglages.		
<b>Écran LCD</b>		
<b>Jour de la semaine :</b> _____ Mon. (lundi), Tues. (mardi), Wed. (mercredi), Thurs. (jeudi), Fri. (vendredi), Sat. (samedi), Sun. (dimanche).		<b>REMARQUE :</b> ces fonctionnalités ne peuvent être modifiées que lorsque les lettres ou chiffres correspondants clignotent. <b>REMARQUE :</b> définir le programmeur sur l'heure actuelle avant de modifier les réglages hebdomadaires.
<b>Affichage de l'heure :</b> _____		
Heure / programmeur de 00:00 à 24:00 <b>REMARQUE :</b> 00:00-12:00 représente le matin, 13:00-24:00 représente l'après-midi/le soir.		

### 3.3.1 set current day and time



1. Press  once. When "MON" (Monday) begins flashing, use  to select current day. Press OK to complete the setting.
2. When the hour digits begin flashing, use  to select the current hour. Press OK to complete the setting.
3. When the minute digits begin flashing, use  to select the current minute. Press OK to complete the setting.

### 3.3.2 réglage de la date et l'heure

1. Appuyer une fois sur . Lorsque « MON » (lundi) se met à clignoter, utiliser  pour sélectionner le jour actuel. Appuyer sur OK pour confirmer.

#### Remarque :

Le programmeur ne peut être réglé que par intervalles de 30 minutes (ex. : 00h00 - 00h30, 00h30 - 01h00, etc.).



2. Lorsque --:-- se met à clignoter, utiliser  pour sélectionner l'heure à laquelle allumer le chauffage. Appuyer sur OK pour confirmer. Appuyer à tout moment sur  pour effacer les chiffres et désactiver le mode « ON » du programmeur.

#### Remarque :

Si la température a déjà été configurée, ces chiffres s'afficheront à la place de « 18 ».

3. Lorsque « 18 » se met à clignoter, utiliser  pour sélectionner la température à laquelle allumer le chauffage le lundi.



4. Lorsque --:-- se met à clignoter, utiliser  pour sélectionner l'heure à laquelle éteindre le chauffage. Appuyer sur OK pour confirmer. Appuyer à tout moment sur  pour effacer les chiffres et désactiver le mode « OFF » du programmeur.
5. Répéter les étapes 1 à 4 pour régler les temps de marche/arrêt et la température pour le mardi, mercredi, jeudi, vendredi, samedi et dimanche.
6. Appuyer sur OK pour valider la programmation, en pointant la télécommande sur le récepteur situé au centre de l'appareil. L'appareil émet un « bip » pour confirmer que la programmation a bien fonctionné.

### 3.3.3 détection de fenêtre ouverte

Si la température de la pièce baisse de 10 degrés en l'espace de 3 minutes, l'appareil considère qu'une fenêtre est ouverte à proximité. Afin d'économiser de l'énergie, le chauffage passe automatiquement d'une chaleur élevée à une chaleur basse, ou bien s'éteint s'il est déjà réglé sur une chaleur basse.

Lorsqu'il passe du réglage High Heat (chaleur élevée) à Low Heat (chaleur basse), l'appareil émet 3 bips et le message « 88 » clignote trois fois sur l'écran numérique avant que le nouveau réglage du chauffage s'affiche.

Lorsqu'il est réglé sur une chaleur basse et qu'il s'éteint, l'appareil émet 3 bips et le message « 88 » clignote en continu sur l'écran numérique.

Pour réinitialiser la fonction de chauffage, consulter la section « utilisation de la télécommande ».

## 4.0 finition

FR

### AVERTISSEMENT

- L'installation de l'alimentation électrique doit être terminée avant la finition afin d'éviter de devoir démonter l'appareil.
- Les fentes et les ouvertures d'aération ne doivent jamais être obstruées.

#### 4.1 installation des braises en bois

1. Soigneusement placer les braises en bois dans le bac du foyer (**Fig. 1**).
2. Les répartir uniformément sur toute la longueur



Fig. 1

#### 4.2 installation des bûches en vigne rouge et bois flotté

1. Soigneusement placer les bûches en vigne rouge et bois flotté sur le bac du foyer comme illustré (**Fig. 2**).
2. Utiliser les braises en bois (voir la section « installation des braises en bois ») pour combler les espaces entre les bûches. Cela donnera un meilleur aspect général au foyer.



Fig. 2 (Disposition Recommandée)

### **AVERTISSEMENT**

- Omettre de positionner les pièces conformément à ce manuel ou d'utiliser uniquement des pièces spécifiquement approuvées pour cet appareil peut causer des dommages matériels ou des blessures corporelles.

Contactez votre détaillant pour les questions concernant les prix et la disponibilité des pièces de remplacement. Normalement, toutes les pièces peuvent être commandées chez votre détaillant autorisé.

**Pour un remplacement de pièce sous garantie, une photocopie de la facture originale sera requise afin de pouvoir honorer la demande.**

Lorsque vous commandez des pièces, donnez toujours l'information suivante:

- Modèle et numéro de série de l'appareil
- Date d'installation de l'appareil
- Numéro de la pièce
- Description de la pièce
- Fini

**Pièces, numéro des pièces et s'il soit disponible peut changer sans préavis.**

**Parties identifiées comme garnie seront livrés dans 2 à 5 jours pour la plupart des destinations de livraison.**

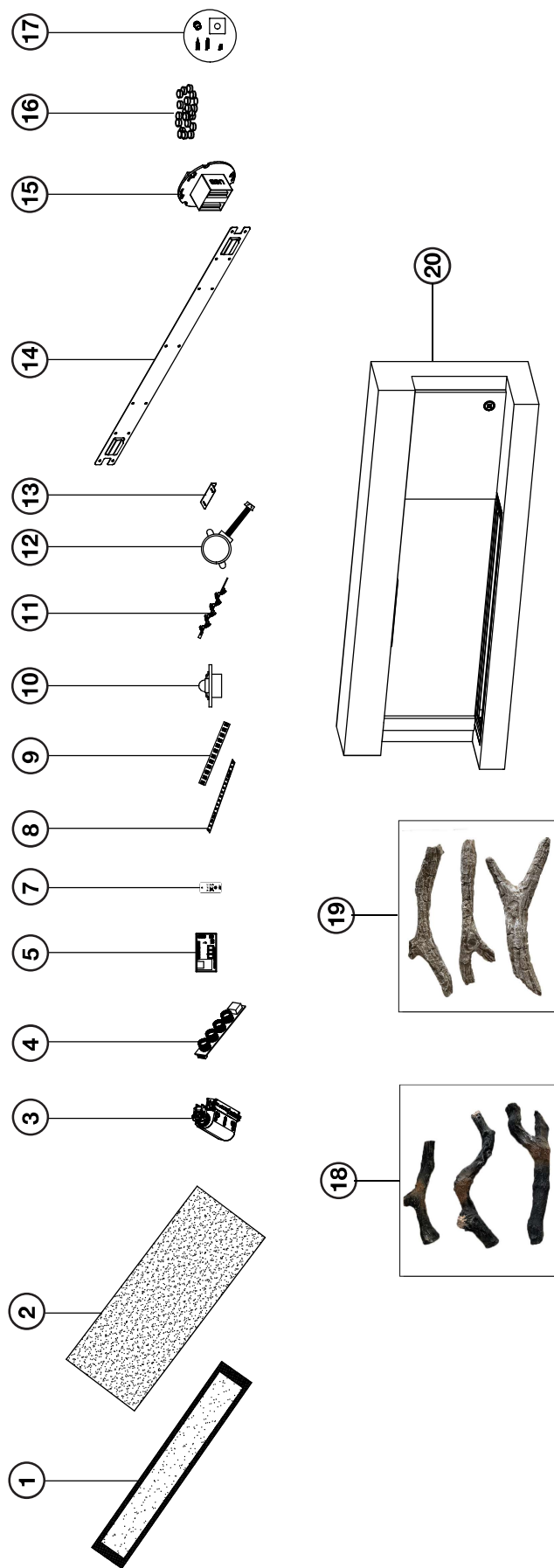
**Pièces non identifiées que stockés seront livrés dans un délai de 2 à 4 semaines pour la plupart des cas.**

**Pièces identifiées comme « SO » sont commande spéciale et peuvent prendre jusqu'à 90 jours pour la livraison.**

#### **Remarque :**

Le verre cassé ou les composants endommagés doivent être retirés et jetés avec précaution. À l'aide d'un aspirateur, retirer tout éclat de verre restant avant d'utiliser l'appareil.

## 5.1 vue d'ensemble



Les produits peuvent être légèrement différents des illustrations présentées ici.

Réf.	No. de Pièce	Description	En Stock
1	W300-0291-SER	Base en verre dépoli noir	Oui
2	W497-0053-SER	Panneau en plastique acrylique	Oui
3	W010-4760-SER	Ensemble de la soufflerie et de l'élément chauffant	
4	W190-0143-SER	Panneau de commande tactile	Oui
5	W190-0186-SER	Commande de la carte de circuit imprimé principale	
6*	W690-0021	Thermostat	Oui
7	W190-0187-SER	Télécommande	
8	W405-0069-SER	Lumière LED des braises	Oui
9	W405-0068-SER	Lumière LED des flammes	Oui
10	W405-0075-SER	Lumière d'accent LED sur le côté	Oui
11	W527-0032-SER	Tige réfléchissante	Oui
12	W435-0090-SER	Moteur pas à pas	Oui
13	W080-1916-SER	Support mural arrière bas	Oui
14	W080-1917-SER	Support mural arrière	Oui
15	W190-0145-SER	Port de chargement USB	Oui
16	W497-1627-SER	Braises en bois	Oui
17	W370-0150-SER	Kit de fixation	Oui
18	W135-1014-SER	Ensemble de bûche, vigne rouge	Oui
19	W135-1015-SER	Ensemble de bûche, bois flotté	Oui
20	NEFS32-5320BW	Cadre	Oui
21*	W005-0023-SER	Adaptateur pour le Royaume-Uni	
22*	W005-0024-SER	Adaptateur pour la Suisse	

\* Illustration des pièces non fourni.

## AVERTISSEMENT

- Avant tout entretien, éteindre l'appareil et attendre qu'il refroidisse. L'entretien et la réparation de cet appareil électrique ne doivent être effectués que par un professionnel.

symptôme	problème	solution
L'appareil ne s'allume pas lorsque le bouton de mise en marche/l'interrupteur est en position « ON ».	L'appareil n'est pas branché à une prise de courant.	Vérifier le branchement et brancher l'appareil si nécessaire.
	L'appareil a surchauffé et l'interrupteur thermique de sécurité s'est déclenché.	Débrancher le câble d'alimentation ou éteindre le disjoncteur, laisser l'appareil refroidir pendant 15 minutes, puis brancher l'appareil ou allumer le disjoncteur.
	Problème au niveau du circuit imprimé principal.	Inspecter le circuit imprimé et remplacer si nécessaire.
L'appareil s'éteint et ne se rallume pas.	Le disjoncteur du domicile s'est déclenché.	Réarmer le disjoncteur du domicile.
	Le fusible de l'appareil a sauté.	Remplacer le fusible.
	L'appareil a surchauffé et l'interrupteur thermique de sécurité s'est déclenché.	Débrancher le câble d'alimentation ou éteindre le disjoncteur, laisser l'appareil refroidir pendant 15 minutes pour réinitialiser l'interrupteur thermique, puis brancher l'appareil ou allumer le disjoncteur.
L'appareil s'est réinitialisé sur les réglages par défaut.	Panne de courant.	Reprogrammer l'appareil sur les réglages d'origine (ne s'applique pas à tous les appareils).
La télécommande ne fonctionne pas.	Piles déchargées/usagées.	Remplacer les piles de la télécommande.
	Défaillance du récepteur de télécommande.	Vérifier que rien n'obstrue le récepteur de télécommande. Remplacer le panneau de commande.
L'appareil ne produit pas d'air chaud.	Le réglage du chauffage n'est pas sélectionné.	Consulter la section « mode d'emploi ».
	Le chauffage a été verrouillé.	Consulter la section « mode d'emploi ».
	La température de la pièce est plus élevée que le réglage de l'appareil (s'il est réglé sur le mode de température ambiante).	Réinitialiser le réglage de température.
	L'appareil a surchauffé et l'interrupteur thermique de sécurité s'est déclenché.	Débrancher le câble d'alimentation ou éteindre le disjoncteur. Laisser l'appareil refroidir pendant 15 minutes.
	Problème de chauffage.	Inspecter la soufflerie et le chauffage, et remplacer si nécessaire.
Le chauffage s'éteint automatiquement.	La température de la pièce est trop élevée.	Le chauffage possède un thermostat intégré, il s'éteint donc automatiquement une fois la température pré-réglée atteinte. Il se met également en marche automatiquement si la température de la pièce descend en dessous de la température pré-réglée.
Flamme faible ou inexistante.	L'intensité lumineuse de la flamme n'est pas sélectionnée.	Consulter la section « mode d'emploi ».
	Problème de l'éclairage LED de la flamme.	Inspecter la lampe LED et remplacer si nécessaire.
	Problème au niveau du circuit imprimé principal.	Inspecter le circuit imprimé principal et remplacer si nécessaire.
La flamme ne bouge pas.	Le moteur est bloqué/défaillant.	Éteindre et rallumer plusieurs fois. Si le problème persiste, contacter le détaillant.

# guide de dépannage

FR

Le lit de braises ne s'illumine pas ou est faible.	L'intensité lumineuse n'est pas sélectionnée.	Consulter la section « mode d'emploi ».
	Problème de l'éclairage LED des braises.	Inspecter les lampes LED du lit de braises et remplacer si nécessaire.
	Problème au niveau du circuit imprimé principal.	Inspecter le circuit imprimé principal et remplacer si nécessaire.
Le message « OH » clignote.	L'appareil a surchauffé et l'interrupteur thermique de sécurité s'est déclenché.	Débrancher le câble d'alimentation ou éteindre le disjoncteur. Laisser l'appareil refroidir pendant 15 minutes, puis brancher l'appareil ou allumer le disjoncteur. Si le problème persiste, contacter le détaillant.

**Les appareils électriques Napoleon** sont fabriqués dans le respect de la norme mondialement reconnue ISO 9001:2015 sur les systèmes de gestion de la qualité.

**Les produits Napoleon** sont fabriqués à partir de composants et de matériaux de qualité supérieure. Ils sont assemblés par des artisans expérimentés, qui sont fiers de leur travail. Une fois assemblé et avant d'être emballé, l'appareil est minutieusement inspecté par un installateur, une agence de service ou un fournisseur qualifié(e) et agréé(e) pour s'assurer que le client reçoive le niveau de qualité qu'il attendait de la part de son produit **Napoleon**.

### Garantie limitée des appareils électriques Napoleon

Les composants électriques et les pièces d'usure sont couverts : **Napoleon** fournira gratuitement les pièces de rechange au cours des 2 premières années de la garantie limitée. Cela s'applique aux : ventilateurs/éléments chauffants, moteurs, interrupteurs, composants de nylon, télécommandes et lampes LED.\*

Les ampoules et les fusibles NE SONT PAS couverts par la garantie.

Toute main-d'œuvre liée à une réparation sous garantie n'est pas couverte.

\* La fabrication des modèles varie. La garantie ne s'applique qu'aux composants inclus dans votre appareil spécifique.

### Conditions et restrictions

**Napoleon** garantit ses produits contre tout défaut de fabrication uniquement à son client d'origine. Il n'est pas nécessaire d'enregistrer votre garantie. Il vous suffit de fournir une preuve d'achat, ainsi que le modèle et le numéro de série pour faire une réclamation sous garantie. Si l'achat a été effectué auprès d'un détaillant **Napoleon** agréé, votre appareil est soumis aux conditions et restrictions suivantes :

La couverture de la garantie commence à la date de la première installation.

Cette garantie constructeur n'est pas cessible et ne peut pas être prolongée, de quelque manière que ce soit, par l'un de nos représentants.

L'installation doit être réalisée conformément aux instructions d'installation fournies avec le produit, ainsi qu'à tous les codes régionaux et nationaux de construction et des incendies.

Cette garantie limitée ne couvre pas les dommages résultant d'une mauvaise utilisation, d'un manque d'entretien, d'un accident, d'altérations, d'abus ou de négligence. Si des pièces sont installées par d'autres fabricants, cette garantie devient nulle.

Cette garantie limitée ne couvre pas non plus les rayures, les bosselures, la corrosion ou la décoloration résultant d'une chaleur excessive, de nettoyants chimiques et abrasifs, ni les éclats sur les pièces en émail vitrifié ou toute faille mécanique des bûches PHAZER™.

Au cours des deux premières années seulement, cette garantie s'étend à la réparation ou au remplacement de pièces sous garantie qui s'avèrent être défectueuses en termes de matériaux ou de fabrication, sous réserve que le produit ait été utilisé conformément aux instructions d'utilisation et dans des conditions normales.

**Napoleon** n'est pas responsable de l'installation, de la main-d'œuvre ou de toute autre dépense liée à la réinstallation d'une pièce sous garantie. De telles dépenses ne sont pas couvertes par la garantie. Nonobstant toute disposition prévue dans la garantie limitée, la responsabilité de **Napoleon** au titre de cette garantie est définie comme ci-dessus, et elle ne peut s'appliquer en aucune façon à des dommages accessoires, immatériels ou indirects.

Cette garantie définit les obligations et la responsabilité de **Napoleon** à l'égard de l'appareil électrique **Napoleon** et de toute autre garantie formelle ou tacite vis-à-vis de ce produit ; ses composants ou accessoires sont exclus.

**Napoleon** n'assume aucune autre obligation et n'autorise aucun tiers à assumer d'autres obligations en son nom au titre de la vente de ce produit.

Tout dégât causé à l'appareil, à la garniture en laiton ou à d'autres composants par de l'eau, des intempéries, de longues périodes d'humidité, de la condensation, des produits chimiques ou des nettoyants n'est pas de la responsabilité de **Napoleon**.

**Napoleon** se réserve le droit de demander à l'un de ses représentants d'inspecter un produit ou une pièce du produit avant d'honorer une demande de garantie.

Toutes les pièces remplacées sous la politique de garantie limitée doivent faire l'objet d'une seule réclamation.

Toutes les pièces remplacées sous la garantie sont couvertes pendant 90 jours à compter de la date de leur installation.

Le fabricant peut exiger que les pièces ou les produits défectueux soient renvoyés, ou que des photos numériques soient fournies lors de la réclamation. Les produits retournés doivent être expédiés port payé au fabricant pour enquête. S'il s'avère qu'un produit est défectueux, le fabricant assurera la réparation ou le remplacement du produit.

Avant d'expédier votre appareil ou ses composants défectueux, votre détaillant doit obtenir un numéro d'autorisation. Toute marchandise expédiée sans autorisation sera refusée et retournée à l'expéditeur.

Les frais de livraison ne sont pas couverts par cette garantie.

Des frais de service supplémentaires peuvent s'appliquer si vous utilisez le service de garantie d'un détaillant.

Toutes les caractéristiques et les designs peuvent varier sans préavis en raison d'améliorations continues des produits. **Napoleon** est une marque déposée de Wolf Steel Ltd.

# NAPOLÉON CÉLÈBRE PLUS DE 40 ANS D'EXISTENCE CONSACRÉS À LA CONCEPTION DE PRODUITS DE CONFORT



**WEEE :**



**Signification du logo affichant une poubelle barrée :**

**Ne pas jeter les appareils électriques dans les ordures ménagères non sujettes au tri sélectif. Utiliser des points de collecte adaptés. Contacter la collectivité locale pour connaître les modalités de tri sélectif. Si les appareils électriques sont jetés dans une décharge, des substances toxiques peuvent s'infiltrer dans le sol, atteindre les nappes phréatiques et contaminer la chaîne alimentaire, menaçant alors la santé humaine.**

**Lors de l'achat d'un nouvel appareil, le vendeur est tenu de reprendre gratuitement l'ancien et de se charger lui-même du dépôt en déchetterie.**



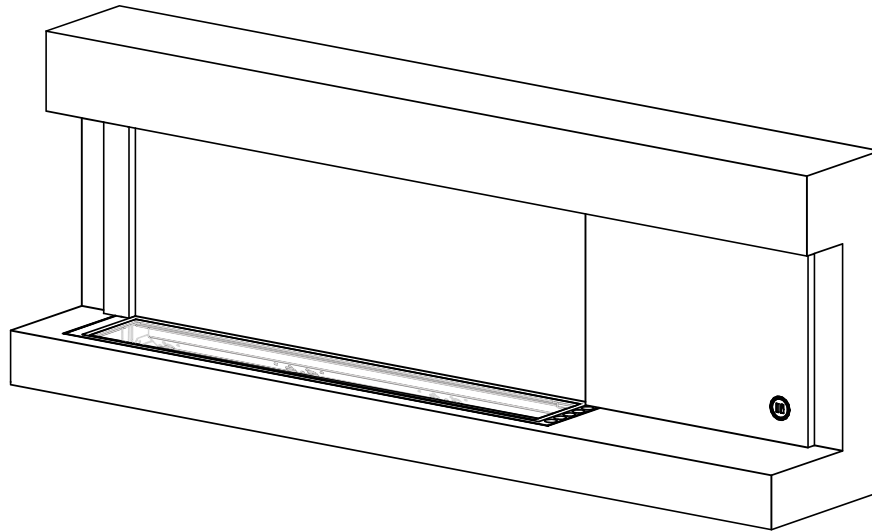
7200, Route Transcanadienne, Montréal, Québec H4T 1A3  
24 Napoleon Road, Barrie, Ontario, Canada L4M 0G8  
214 Bayview Drive, Barrie, Ontario, Canada L4N 4Y8  
103 Miller Drive, Crittenden, Kentucky, USA 41030  
De Riemsdijk 22, 4004 LC Tiel, Pays-Bas  
[napoleon.com](http://napoleon.com)





# INSTALLATIONS- UND BETRIEBSHANDBUCH

## Elektrischer Kamin zur Wandmontage Stylus Steinfeld



### SICHERHEITSINFORMATIONEN

#### ⚠️ WARNUNG

#### BRAND- ODER EXPLOSIONSGEFAHR

Wenn die Informationen in diesen Anweisungen nicht genau befolgt werden, kann es zu einem Brand oder einer Explosion kommen, die Sachschäden, Personenschäden oder den Tod zur Folge haben kann.

– Lagern oder verwenden Sie kein Benzin oder andere entzündliche Gase und Flüssigkeiten in der Nähe dieses oder eines anderen Geräts.

#### INSTALLATEUR:

Bewahren Sie dieses Handbuch in der Nähe des Geräts auf

#### VERBRAUCHER:

Bewahren Sie dieses Handbuch zum künftigen Nachschlagen auf

### ZUR AUSSCHLIESSLICHEN VERWENDUNG IN INNENRÄUMEN

IMPORTIERT VON WOLF STEEL EUROPE (NIEDERLANDE)



SERIENNUMMER VOM KARTON AUFBRINGEN



Wolf Steel Europe BV  
De Riemsdijk 22, 4004 LC Tiel, Niederlande

## **WARNUNG**

- **Falls das Gerät mit einer Heizung ausgestattet ist, kann es während des Betriebs heiß werden. Bei Berührung kann es zu schweren Verbrennungen kommen.**
- Betreiben Sie das Gerät erst, wenn Sie die Betriebsanweisungen gelesen und verstanden haben. Wenn Sie das Gerät nicht entsprechend den Betriebsanweisungen betreiben, kann es zu Bränden oder Verletzungen kommen.
- Montieren Sie keine beschädigten, unvollständigen oder Ersatzkomponenten.
- Verbrennen Sie kein Holz oder andere Materialien in diesem Gerät.
- Alle Elektrogeräte besitzen im Innern heiße und funkenbildende Teile. Verwenden Sie sie nicht in Bereichen, in denen es Gasleitungen, Farbe oder brennbare Flüssigkeiten gibt.
- Werden Schutzscheiben oder -gitter zwecks Wartung entfernt, müssen diese vor erneuter Inbetriebnahme des Geräts wieder angebracht werden.
- Das Fach mit den Bedienelementen, das Umwälzgebläse und seine Öffnungen im Gerät müssen unbedingt sauber gehalten werden. Das Gerät ist vor der Benutzung und mindestens einmal jährlich von qualifiziertem Servicepersonal zu prüfen. Bei übermäßigem Vorhandensein von Fusseln von Teppichen, Bettwäsche etc. ist möglicherweise eine häufigere Reinigung erforderlich. Der Gerätebereich ist frei von brennbaren Materialien, Benzin und anderen entzündlichen Gasen und Flüssigkeiten zu halten.
- Dieses Gerät darf unter keinen Umständen modifiziert werden.
- Verwenden Sie dieses Gerät nicht, wenn eines seiner Teile mit Wasser in Berührung gekommen ist. Rufen Sie umgehend einen qualifizierten Servicetechniker an, damit er das Gerät prüft und die Teile des Kontrollsystems, die mit Wasser in Berührung gekommen sind, austauscht.
- Betreiben Sie Geräte mit Glastüren nicht, wenn die Glasscheibe entfernt wurde, gesprungen oder zerbrochen ist. Das Glas ist von lizenziertem oder qualifiziertem Servicepersonal auszutauschen. Schlagen oder knallen Sie die Glastür des Geräts nicht zu.
- Bewahren Sie das Verpackungsmaterial außerhalb der Reichweite von Kindern auf, und entsorgen Sie es auf sichere Art und Weise. Wie alle Plastiktüten sind sie kein Spielzeug und müssen von Kindern ferngehalten werden.
- Während der Wartung muss das Gerät von der Stromversorgung getrennt sein.
- Ziehen Sie immer den Netzstecker des Geräts, wenn es nicht in Gebrauch ist.
- Betreiben Sie das Gerät nicht, wenn das Kabel oder der Stecker beschädigt wurde, nachdem das Gerät eine Störung aufgewiesen hat, fallen gelassen oder auf irgendeine Weise beschädigt wurde. Geben Sie das Gerät zwecks Begutachtung, elektrischer oder mechanischer Anpassung oder Reparatur bei der autorisierten Servicestelle ab.
- Nicht im Freien verwenden.
- Bei der Installation des Geräts in einem Raum, in dem Wasser vorhanden ist, muss die Installation den Vorschriften bezüglich der erhöhten Gefahr von Stromschlägen und Elektroschocks entsprechen.

### **Hinweis:**

Dieses Gerät ist NICHT für den Einbau im Bad geeignet.


- Verlegen Sie das Kabel nicht unter Teppichboden. Decken Sie das Kabel nicht mit kleinen Teppichen, Läufern oder Ähnlichem ab. Verlegen Sie das Kabel abseits von Verkehrsflächen und dort, wo keine Stolpergefahr besteht.
- Schließen Sie es nur an ordnungsgemäß geerdete Steckdosen an.
- Achten Sie darauf, dass keine Fremdkörper in Lüftungs- oder Abluftöffnungen geraten, da dies zu Stromschlag oder Brand führen oder das Gerät beschädigen könnte.
- Es ist normal, dass Ihr elektrisches Gerät Geräusche erzeugt, insbesondere wenn es in einem ruhigen Raum wie einem Schlafzimmer installiert ist.

## **WARNUNG**

- Zur Reduzierung der Brandgefahr darf der Luftein- und -auslass in keiner Weise blockiert werden. Nicht auf weichen Oberflächen wie Teppichen verwenden, auf denen Öffnungen blockiert werden können.
- Geräte immer direkt an eine Wandsteckdose anschließen. Niemals ein Verlängerungskabel oder eine Steckdosenleiste verwenden.
- Diese Geräte wurden ausschließlich für die Verwendung mit dem in diesen Anweisungen aufgeführten optionalen Zubehör geprüft und gelistet. Die Verwendung von optionalem Zubehör, das nicht speziell für dieses Gerät getestet wurde, kann zum Erlöschen der Garantie bzw. zu einem Sicherheitsrisiko führen.

### **Für Geräte, die mit einer Heizung ausgestattet sind:**

- Verbrennungsrisiko. Vor der Wartung müssen Sie die Stromversorgung zum Gerät trennen und das Gerät abkühlen lassen. Um die Stromversorgung zum Gerät zu trennen, drehen Sie die Bedienelemente in die Position „off“ (aus), und ziehen Sie dann den Stecker aus der Steckdose.
- Kleine Kinder sind gut zu beaufsichtigen, wenn sie sich in demselben Raum wie das Gerät befinden. Kleine Kinder und andere könnten sich versehentlich verbrennen. Eine physische Barriere wird empfohlen, wenn sich gefährdete Personen im Haus befinden. Um den Zugang zu einem Gerät oder einem Ofen zu versperren, montieren Sie ein verstellbares Sicherheitsgitter, sodass kleine Kinder und andere gefährdete Personen nicht den Raum betreten und heiße Oberflächen berühren können.
- Kleidung oder andere brennbare Materialien dürfen nicht auf dem oder in der Nähe des Geräts platziert werden.
- Aufgrund der hohen Temperaturen ist das Gerät außerhalb von Verkehrsflächen und abseits von Möbeln und Vorhängen zu platzieren.
- Ergreifen Sie geeignete Sicherheitsvorkehrungen, um sicherzustellen, dass Kinder/Kleinkinder keine heißen Oberflächen berühren können.
- Auch nach dem Ausschalten des Geräts bleibt das Glas bzw. die Scheibe längere Zeit heiß.
- Fragen Sie Ihren Fachhändler vor Ort nach Schutzscheiben und Schutzvorrichtungen für Feuerstellen, um Kinder vor heißen Oberflächen zu schützen. Diese Scheiben und Schutzvorrichtungen sind am Boden zu befestigen.
- Achten Sie auf Einhaltung von Abständen zu brennbaren Materialien, wenn Sie eine Kaminumfassung oder Regale über dem Gerät montieren. Erhöhte Temperaturen an der Wand oder in der Luft über dem Gerät können dazu führen, dass Dekoration, Fernseher oder andere elektronischen Komponenten schmelzen, sich verfärben oder beschädigt werden.
- Das Gerät darf nicht unmittelbar unter einer Steckdose platziert werden.
- Sofern sie beaufsichtigt werden oder bezüglich des sicheren Gebrauchs des Geräts unterwiesen wurden und die daraus resultierenden Gefahren verstehen, dürfen Kinder ab 8 Jahren sowie Personen mit verringerten physischen, sensorischen oder mentalen Fähigkeiten oder Mangel an Erfahrung und Wissen das Produkt benutzen. Kinder dürfen nicht mit dem Gerät spielen. Reinigung und Wartung dürfen nur dann von Kindern ausgeführt werden, wenn sie dabei beaufsichtigt werden.

 **WARNUNG:** Durch dieses Produkt können Sie Chemikalien, einschließlich Blei und bleihaltigen Stoffen, ausgesetzt werden, die im Staat Kalifornien als krebserzeugend eingestuft werden, sowie Chemikalien, einschließlich BBP und DEHP, die im Staat Kalifornien als Ursache für Geburtsfehler oder anderen Schädigungen der Fortpflanzungsfähigkeit eingestuft werden. Weitere Informationen finden Sie unter [www.P65Warnings.ca.gov](http://www.P65Warnings.ca.gov).

<b>1.0</b>	<b>Allgemeine Informationen</b>	<b>53</b>
1.1	Übersicht des Geräts	53
1.1.1	E-Box und Gestell	53
1.1.2	Eigenschaften	53
1.2	Abmessungen	54
1.3	Zulassungen	54
1.4	Allgemeine Anweisungen	55
1.5	Auspacken und Testen des Geräts	55
1.6	Typenschildinformationen	55
1.7	Liste der Montageteile	56
<b>2.0</b>	<b>Installation</b>	<b>57</b>
2.1	Anbringen des Geräts	57
2.2	Mindestabstand zu brennbaren Materialien	58
2.3	Mindestabstand zu Sims	58
2.4	Installieren des Geräts an der Wand (Wandmontage)	59
<b>3.0</b>	<b>Betriebsanweisungen</b>	<b>61</b>
3.1	Bedienen des Bedienfelds	61
3.2	Bedienen der Fernbedienung	62
3.3	Zeiteinstellungen auf der Fernbedienung	64
3.3.1	Einstellen von Datum und Uhrzeit	64
3.3.2	Festlegen der Ein-/Ausschaltzeit und Temperatur in wöchentlichem Rhythmus	64
3.3.3	Warnung zu offenem Fenster	65
<b>4.0</b>	<b>Abschließende Schritte</b>	<b>66</b>
4.1	Platzieren der Holzspanimitate	66
4.2	Platzieren der Holzimitate	66
<b>5.0</b>	<b>Ersatzteile</b>	<b>67</b>
5.1	Übersicht	68
<b>6.0</b>	<b>Fehlerbehebung</b>	<b>69</b>
<b>7.0</b>	<b>Garantie</b>	<b>71</b>

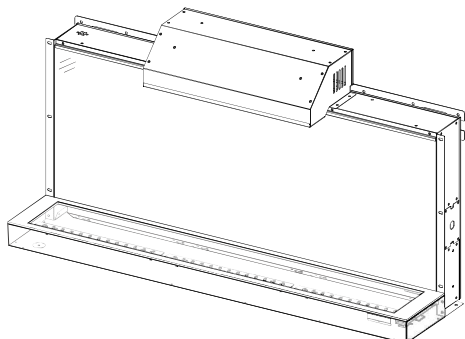
**Hinweis:**

Die Informationen in diesem Handbuch gelten zum Zeitpunkt des Drucks als korrekt. Wolf Steel Ltd. behält sich das Recht vor, die Informationen in diesem Handbuch jederzeit ohne Ankündigung zu ändern. Änderungen, die nicht redaktioneller Art sind, werden durch eine vertikale Linie am Rand gekennzeichnet.

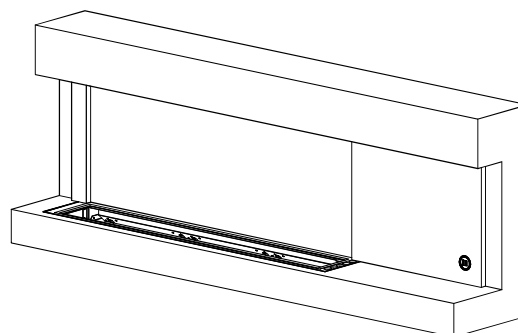
## 1.1 Übersicht des Geräts

### 1.1.1 E-Box und Gestell

Geräte des Modells NEFP32-5320BW-EU sind mit Ausnahme der Zubehörteile bei Lieferung bereits komplett montiert (weitere Informationen finden Sie im Abschnitt „Abschließende Schritte“). Das Gerät besteht aus folgenden Komponenten:



**NEFLC32H-EU  
E-Box**



**NEFS32-5320BW  
Gestell**

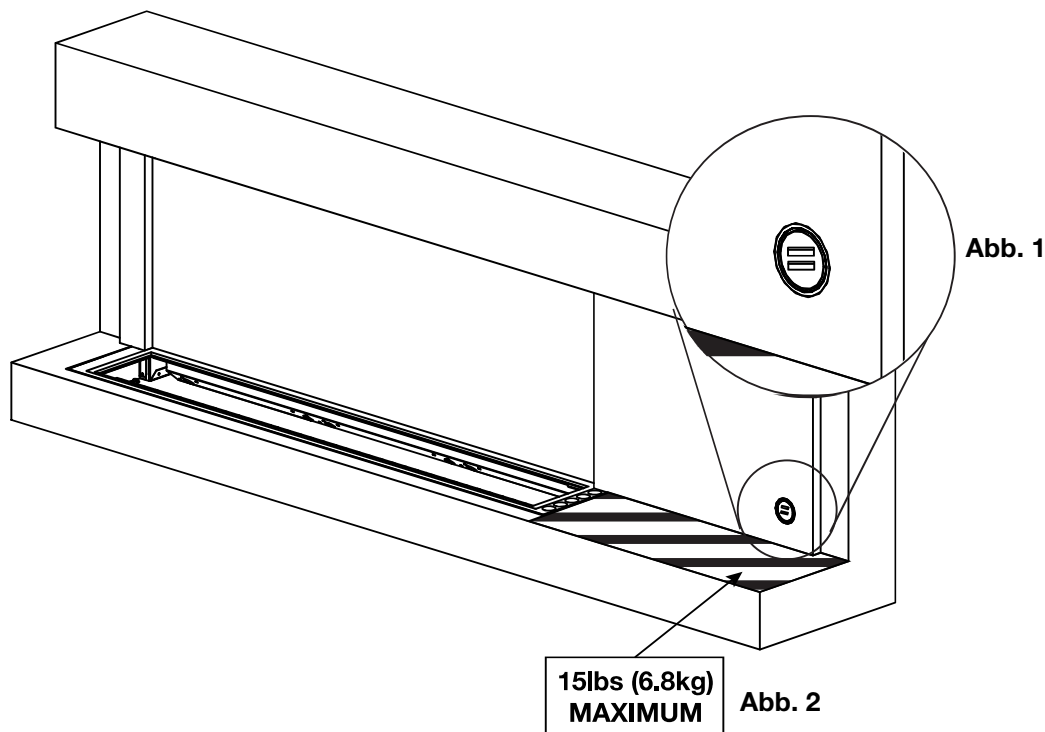
### 1.1.2 Eigenschaften

Das Gerät hat auf der rechten Seite des Gestells NEFS32-5320BW (**Abb. 1**) einen USB-Ladeausgang. Weitere Informationen finden Sie im Abschnitt „Betriebsanweisungen“.

**Hinweis:**

Der USB-Ladeausgang ist nicht mit allen Smartphone-Typen kompatibel.

Das Gestell NEFS32-5320BW ist NUR im schraffierten Bereich (**Abb. 2**) tragend. Die maximale Tragfähigkeit beträgt 6,8 kg (15 lbs). Objekte dürfen auf keinem anderen Bereich des Geräts platziert werden.

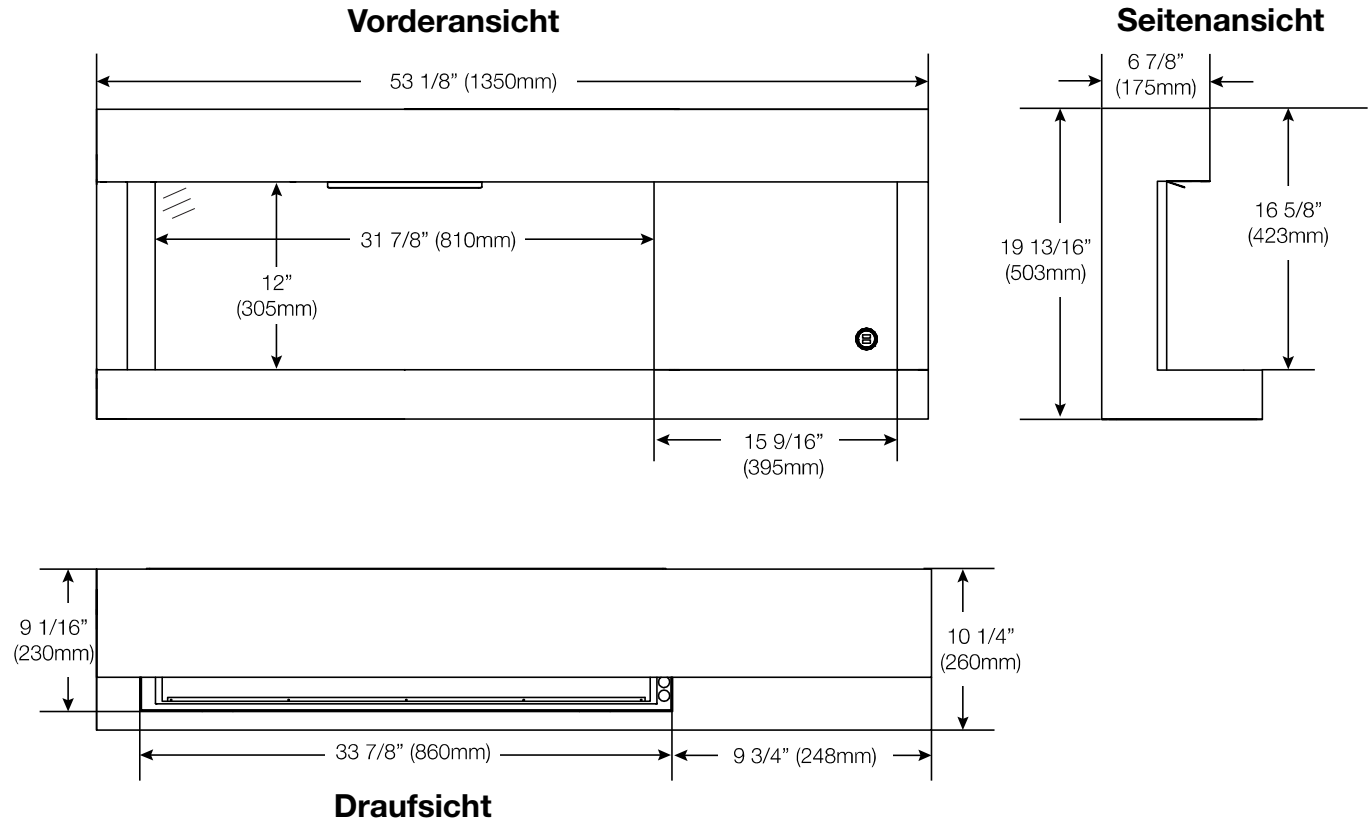


Batterien müssen gemäß den vor Ort geltenden Gesetzen und Vorschriften entsorgt werden. Einige Batterien können recycelt werden und werden eventuell von Ihrem örtlichen Wertstoffhof angenommen. Anweisungen zum Recycling erhalten Sie bei Ihrer Gemeinde.

# Allgemeine Informationen

FR

## 1.2 Abmessungen



## 1.3 Zulassungen

<b>Modellnummer</b>	NEFP32-5320BW-EU
<b>Beschreibung</b>	Modernes Elektrogerät zur Wandmontage, 1499 mm (59")
<b>Spannung</b>	220-240 VAC
<b>Watt</b>	Max 1400-1600W
<b>Ampere</b>	Geerdeter Schaltkreis mit 10 A
<b>Breite des Geräts</b>	53 1/8" (1350mm)
<b>Höhe des Geräts</b>	19 11/16" (500mm)
<b>Tiefe des Geräts</b>	10 1/4" (260mm)
<b>Nettogewicht</b>	61lbs (27,8kg)
<b>Bruttogewicht</b>	91lbs (41,5kg)

## 1.4 Allgemeine Anweisungen

- Bevor Sie Ihr Gerät an eine Steckdose anschliessen, vergewissern Sie sich, dass die Sicherungsschalter des Hauses für die Steckdose eingeschaltet sind.
- Das Gerät kann bei der ersten Verwendung einen leichten, jedoch harmlosen Geruch abgeben. Dieser Geruch ist normal und wird durch die erstmalige Erwärmung der Innenliegenden Geräteelemente verursacht; anschliessend tritt er nicht wieder auf.
- Wenn Ihr Gerät bei Bedarf keine Wärme abgibt, lesen Sie für weitere Informationen den Abschnitt 'Betrieb' in diesem Handbuch.
- Verlegen Sie das Netzkabel nicht direkt unter dem Gerät




## 1.5 Auspacken und Testen des Geräts




Nehmen Sie das Gerät vorsichtig aus dem Karton und entfernen Sie die Halteklammern. Entfernen Sie vor der Installation des Geräts sämtliche Verpackungsmaterialien und testen Sie, ob das Gerät ordnungsgemäß funktioniert. Stecken Sie dafür das Netzkabel in eine geeignete, geerdete Steckdose mit 220 bis 240 Volt und 10 Ampere minimum.

## 1.6 Typenschildinformationen

ELECTRIC FIREPLACE. SUITABLE FOR BEDROOM AND BED-SITTING ROOM INSTALLATION. SUITABLE FOR MOBILE HOME INSTALLATION.

VOLTAGE: 220-240 VAC  
 FREQUENCY: 50Hz  
 POWER: 1400-1600W  
 DATE CODE: XXXXX

MODELS

NEFLC32H-EU                       CEFLC32H-EU

Manufacturer: Wolf Steel Ltd.  
 24 Napoleon Road,  
 Barrie, ON, L4M 0G8 Canada

Importer: Wolf Steel Europe BV  
 De Riemsdijk 22, 4004 LC Tiel,  
 The Netherlands

DESIGNED IN NORTH AMERICA  
 BY WOLF STEEL LTD.  
 MADE IN CHINA

SERIAL NUMBER: NEFLC32000000                      W385-2595

Die Abbildung dient nur als Referenz. Genaue Information finden Sie auf dem Typenschild des Geräts.

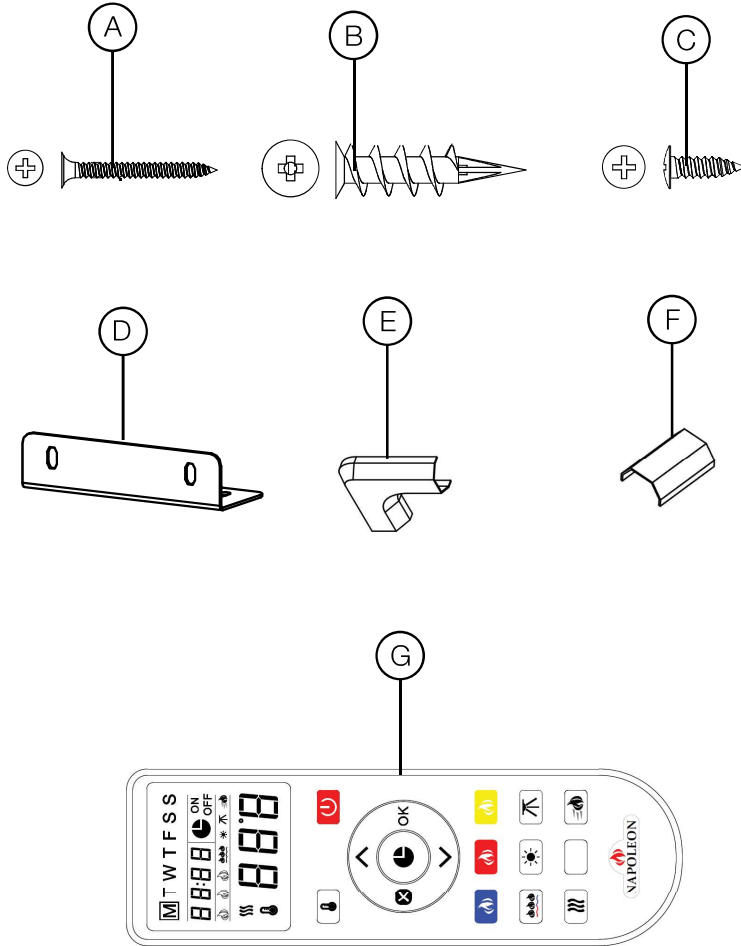
### Hinweis:

Das Typenschild muss stets am Gerät verbleiben. Es darf unter keinen Umständen entfernt werden.

# Allgemeine Informationen

FR

## 1.7 Liste der Montageterteile



	Beschreibung	Anzahl
<b>A</b>	Holzschrauben	18
<b>B</b>	Trockenwanddübel	
<b>C</b>	Metallschrauben ST4x12	4
<b>D</b>	Halteklammer	2
<b>E</b>	Kabel Winkel	
<b>F</b>	Kabelabdeckung	
<b>G</b>	Fernbedienung	1



### **WARNUNG**

- Brandgefahr! Das Netzkabel darf nicht an einer scharfen Kante gequetscht werden. Sichern Sie das Kabel, um Stolpern oder Hängenbleiben zu vermeiden und so das Risiko von Brand, Stromschlag oder Verletzungen zu verringern. Verlegen Sie das Kabel nicht unter Teppichboden. Decken Sie das Kabel nicht mit kleinen Teppichen, Läufern oder ähnlichen Gegenständen ab. Verlegen Sie das Kabel abseits von Verkehrsflächen und dort, wo keine Stolpergefahr besteht.
- Brandgefahr! Zur Reduzierung der Brandgefahr darf der Luftein- und -auslass in keiner Weise blockiert werden. Nicht auf weichen Oberflächen verwenden, auf denen Öffnungen blockiert werden können.
- Brandgefahr! Keine Isolierung gegen das Gerät blasen oder auf diesem platzieren.
- Dieses Elektrogerät wurde ausschließlich für die Verwendung mit dem zugelassenen optionalen Zubehör geprüft und gelistet. Die Verwendung von optionalem Zubehör, das nicht speziell für dieses elektrische Gerät getestet wurde, kann zum Erlöschen der Garantie bzw. zu einem Sicherheitsrisiko führen.
- Wenn die Informationen in diesen Anweisungen nicht genau befolgt werden, kann es zu einem Brand oder einer Explosion kommen, die Sachschäden, Personenschäden oder den Tod zur Folge haben kann. Lagern oder verwenden Sie kein Benzin oder andere entzündliche Gase in der Nähe dieses oder eines anderen Geräts.
- Dieses Gerät ist schwer. Es wird ausdrücklich empfohlen, dass die Installation dieses Geräts von zwei Personen durchgeführt wird.
- Wenn Ihr Gerät mit einer Heizung ausgestattet ist, stellen Sie sicher, dass die Lüftungsöffnungen des Heizers in keiner Weise abgedeckt werden können, da dies eine Brandgefahr darstellen kann.
- Verlegen Sie das Netzkabel nicht waagrecht direkt unter dem Gerät.

Ihr Gerät ist ein Gerät für die Wandmontage. Wählen Sie einen geeigneten Standort aus, der nicht anfällig für Feuchtigkeit ist und sich nicht in der Nähe von Vorhängen, Möbeln und stark frequentierten Bereichen befindet.

#### **Hinweis:**

Halten Sie sich an alle nationalen und lokalen Vorschriften für elektrische Geräte.

### 2.1 Anbringen des Geräts

#### **WARNUNG**

- Aufgrund der hohen Temperaturen ist das elektrische Gerät außerhalb von stark frequentierten Bereichen zu platzieren. Halten Sie brennbare Materialien wie Möbel, Kissen, Bettzeug, Papiere, Kleidung, Vorhänge und ähnliche Gegenstände mindestens 91,4 cm (36") von der Vorderseite des Geräts entfernt.
- Positionieren Sie das Elektrogerät nicht so, dass es in einen Wasserbehälter fallen könnte.
- Tragen Sie zum Schutz während der Installation und Wartung Schutzhandschuhe und Schutzbrille.
- Um den Kontakt mit durchhängender oder loser Isolierung zu verhindern, darf das Elektrogerät nicht vor einer Dampfsperre oder einer exponierten Isolierung installiert werden. Es könnte zu einer lokalen Überhitzung kommen, die einen Brand verursachen könnte.
- Setzen Sie das elektrische Gerät nicht den Elementen (Regen usw.) aus.

# Installation

FR

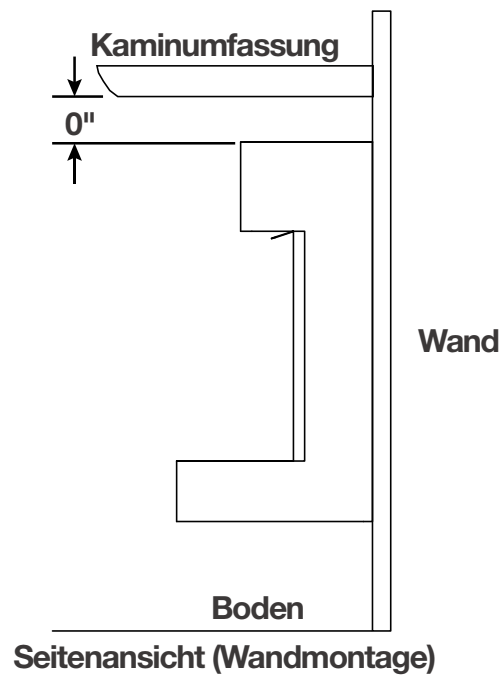
## 2.2 Mindestabstand zu brennbaren Materialien

Abstand zu brennbaren Materialien	
Brennbare Materialien nach oben	0"
Brennbare Materialien nach unten	
Brennbare Materialien zu den Seiten	
Brennbare Materialien nach hinten	

## 2.3 Mindestabstand zu Sims

### **WARNUNG**

- Sollten Sie den Sims mit Farbe oder Lack behandeln, müssen diese hitzebeständig sein, um Verfärbungen zu verhindern.



## 2.4 Installieren des Geräts an der Wand (Wandmontage)

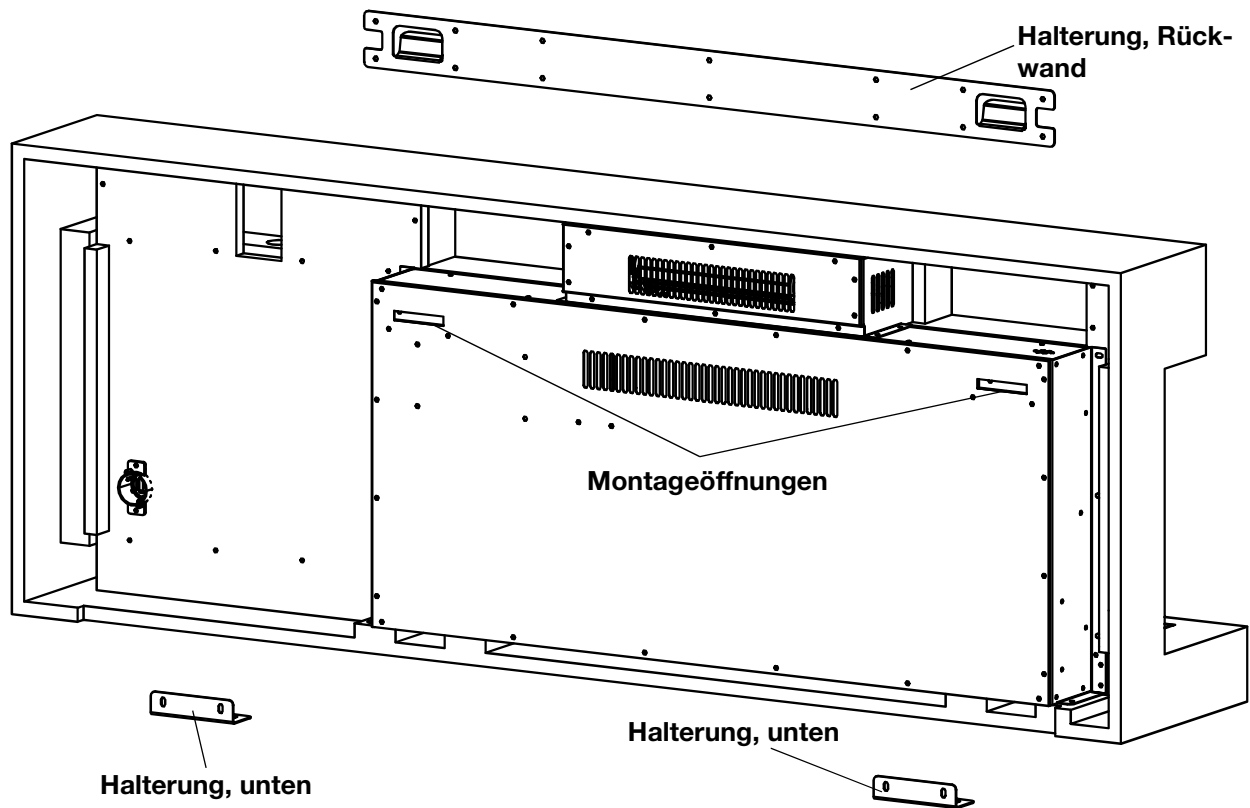
### **! WARNUNG**

- Konsultieren vor der Installation des Geräts Ihr Bauunternehmen vor Ort. Das Gerät muss entsprechend den lokalen Bauvorschriften installiert werden.
- Das Gerät darf nicht an einer für Feuchtigkeit anfälligen Stelle installiert werden.
- Das Gerät muss sich in einem Abstand von mindestens 91,4 cm (36") zu brennbaren Materialien wie Vorhängen, Möbeln, Bettwäsche, Papier usw. befinden.

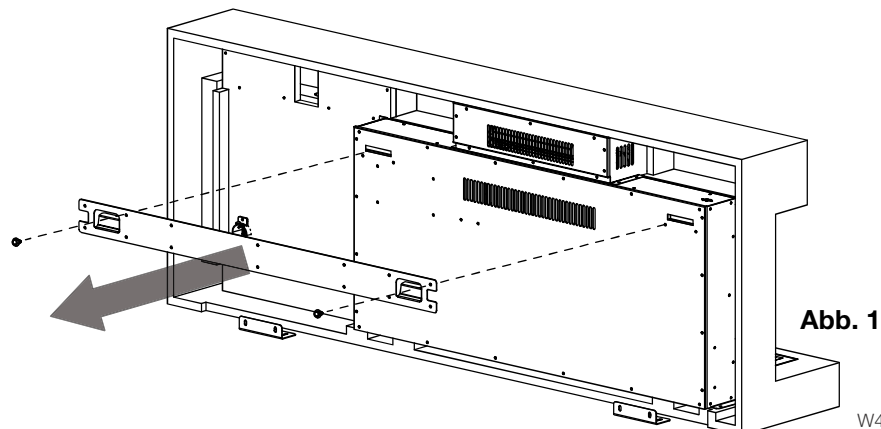
#### **Hinweis:**

Wir empfehlen, dass die Installation dieses Geräts von zwei Personen durchgeführt wird.

### Übersicht des Geräts



1. Lassen Sie das Gerät von zwei Personen an die Wand halten, um die genaue Positionierung zu bestimmen.
2. Legen Sie das Gerät auf eine weiche, nicht scheuernde, flache Oberfläche. Nehmen Sie die Rückwand-Halterung auf der Rückseite des Geräts ab, indem Sie die beiden Schrauben entfernen (**Abb. 1**).



# Installation

FR

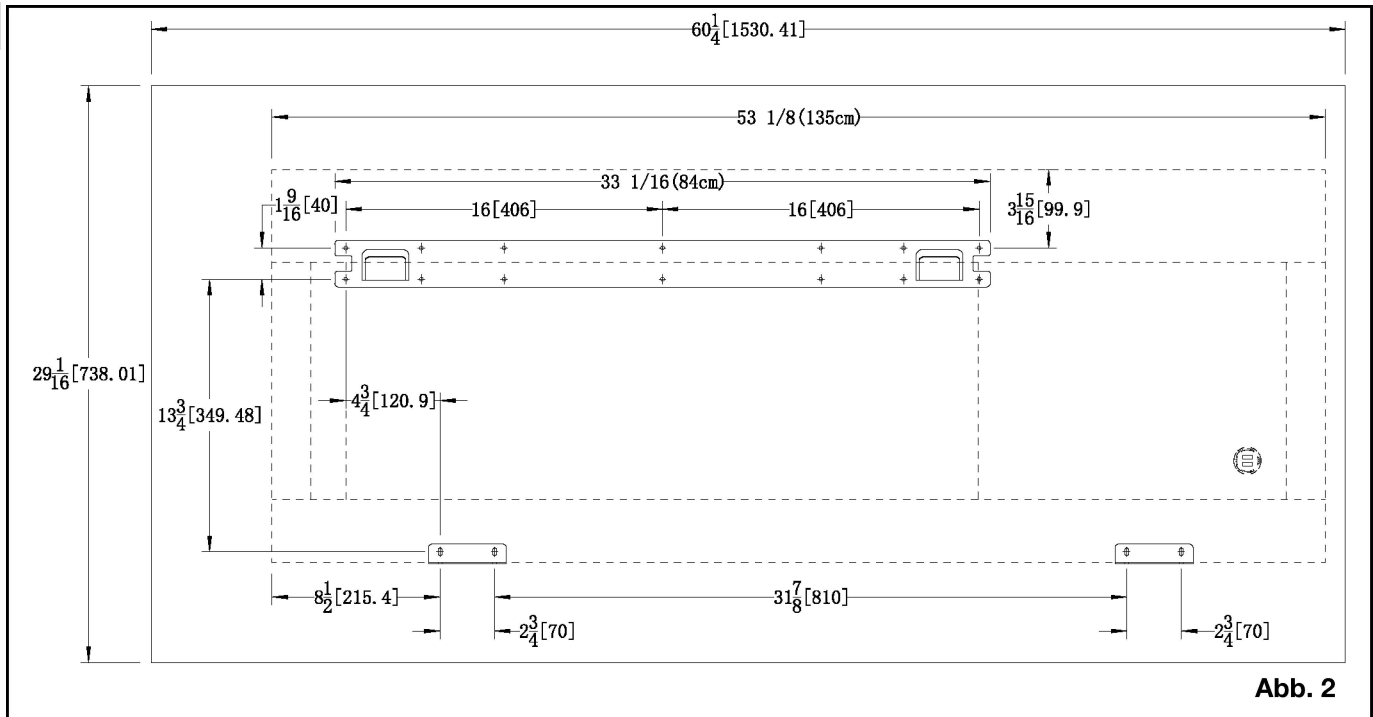


Abb. 2

3. Markieren Sie mithilfe der Wandmontage-Vorlage (**Abb. 2**) die Position der Rückwand-Halterung und der unteren Halterungen an der Wand.

4. Befestigen Sie die Rückwand-Halterung mit den 14 mitgelieferten Schrauben an der Wand.  **A x14**

**Hinweis:**

Die Haken der Rückwand-Halterung MÜSSEN nach oben zeigen und die Halterung muss waagrecht ausgerichtet sein.

**Hinweis:**

Es wird dringend empfohlen die Rückwand-Halterung wenn möglich in die Wandpfosten zu schrauben. Sollte dies nicht möglich sein, verwenden Sie die mitgelieferten Kunststoffdübel, um die Halterung an der Wand zu befestigen, und vergewissern Sie sich, dass sie ausreichend gesichert ist.

5. Befestigen Sie die unteren Halterungen mit den 4 mitgelieferten Schrauben an der Wand.  **A x4**

6. Heben Sie das Gerät an, bis die beiden Montageöffnungen auf die Haken an der Hinterwand-Halterung treffen. Bewegen Sie das Gerät nach unten, bis es sicher befestigt ist.

7. Befestigen Sie das Gerät mit den 4 mitgelieferten Schrauben an den unteren Halterungen (**Abb. 3**).

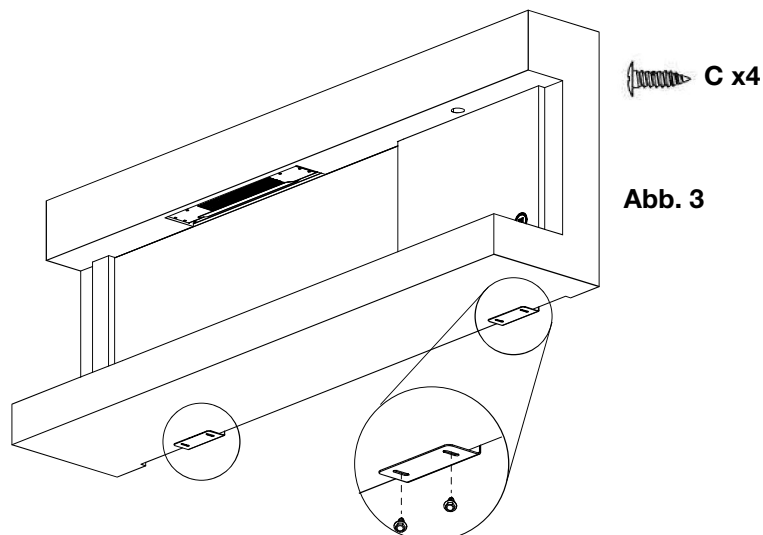








Abb. 3

## **WARNUNG**

- Vergewissern Sie sich, dass die Sicherungsschalter des Hauses für die Stromversorgung eingeschaltet sind. Wenn Sie das Gerät erstmalig an eine Stromquelle anschließen, gibt das Gerät einen Piepton und bleibt anschließend ausgeschaltet, bis Sie es einschalten.

### 3.1 Bedienen des Bedienfelds

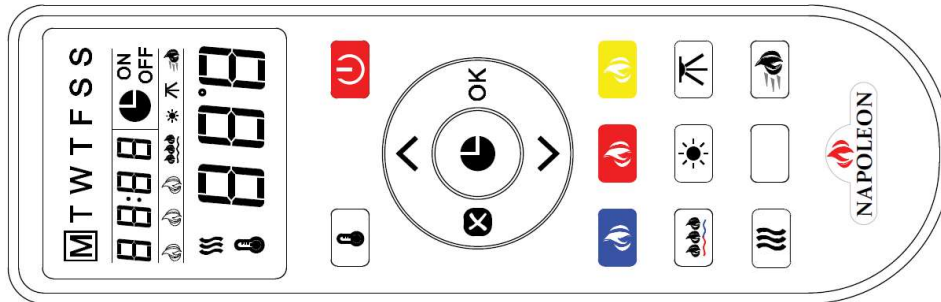
Das Bedienfeld befindet sich auf der rechten Seite des Geräts.








<b>Netzschalter</b>		Dient zum Ein- und Ausschalten des Geräts.
<b>Seitenakzent-Lichtregelung</b>		Regelt das Seitenakzent-Licht.  <b>Einstellungen:</b> d8 - Kühles weißes und warmes weiße Licht, beide mit 100 % Helligkeit d7 - Kühles weißes und warmes weiße Licht, beide mit 75 % Helligkeit d6 - Kühles weißes und warmes weiße Licht, beide mit 50 % Helligkeit d5 - Kühles weißes und warmes weiße Licht, beide mit 25 % Helligkeit d4 - Warmes weißes Licht mit 100 % Helligkeit d3 - Warmes weißes Licht mit 50 % Helligkeit d2 - Kühles weißes Licht mit 100 % Helligkeit d1 - Kühles weißes Licht mit 50 % Helligkeit d0 - Seitenakzent-Licht aus
<b>Flammenregelung</b>		Regelt die Flamme.  <b>8 Einstellungen:</b> F0 - Flamme aus F1 - Orangefarbene Flamme F2 - Gelbe Flamme F3 - Blaue Flamme F4 - Flamme gelb/orangefarben F5 - Flamme blau/orangefarben F6 - Flamme gelb/blau F7 - Flamme gelb/blau/orangefarben
<b>Schalter für °C oder °F</b>		Ändert das Temperaturformat von Fahrenheit zu Celsius oder umgekehrt. Halten Sie die Flammentaste für fünf Sekunden gedrückt.
<b>Heizregelung</b>		Schaltet den Heizer und das Gebläse ein und aus.  <b>4 Einstellungen:</b> H0 - Heizer und Gebläse aus bL - Gebläse an H1 - Geringe Hitze H2 - Starke Hitze
<b>Heizsperr</b>		LO - Sie können die Heiztaste sperren oder entsperren, indem Sie sie für fünf Sekunden gedrückt halten.






# Betriebsanweisungen

## FR 3.2 Bedienen der Fernbedienung



<b>Netzschalter</b>		Dient zum Ein- und Ausschalten des Geräts.
<b>Blaue Flamme</b>		Regelt die Flammenhelligkeit.
<b>Orangefarbene Flamme</b>		<b>Einstellungen:</b> F4 - Flamme mit maximaler Helligkeit F3 - Flamme mit starker Helligkeit F2 - Flamme mit mittlerer Helligkeit F1 - Flamme mit geringer Helligkeit F0 - Flamme aus
<b>Gelbe Flamme</b>		
<b>Heizer</b>		Schaltet den Heizer und das Gebläse ein und aus.  <b>Einstellungen:</b> H0 - Heizer und Gebläse aus bL - Gebläse an H1 - Geringe Hitze H2 - Starke Hitze
<b>Flammengeschwindigkeit</b>		Regelt die Geschwindigkeit der Flamme.  <b>Einstellungen:</b> 01 - Niedrigste Geschwindigkeit 02 03 04 05 - Höchste Geschwindigkeit
<b>Seitenakzent-Lichtregelung</b>		Regelt das Seitenakzent-Licht.  <b>Einstellungen:</b> d8 - Kühles weißes und warmes weiße Licht, beide mit 100 % Helligkeit d7 - Kühles weißes und warmes weiße Licht, beide mit 75 % Helligkeit d6 - Kühles weißes und warmes weiße Licht, beide mit 50 % Helligkeit d5 - Kühles weißes und warmes weiße Licht, beide mit 25 % Helligkeit d4 - Warmes weißes Licht mit 100 % Helligkeit d3 - Warmes weißes Licht mit 50 % Helligkeit d2 - Kühles weißes Licht mit 100 % Helligkeit d1 - Kühles weißes Licht mit 50 % Helligkeit d0 - Seitenakzent-Licht aus

<b>Glutbett-Farbe</b>		Regelt die Einstellungen für das Glutbett-Licht.  <b>Einstellungen:</b> L0 - Glutbett-Licht aus L1 - Weiß L2 - Blau L3 - Grün L4 - Rot L5 - Gelb L6 - Violett L7 - Automatischer Zyklus durchläuft Weiß, Blau, Grün, Rot, Gelb und Violett. <b>(HINWEIS: Die Farbe wird nach 8,5 Sekunden gewechselt.)</b> L8 - Zyklus bei gewünschter Farbe stoppen
<b>Glutbett-Helligkeit</b>		Regelt die Helligkeit des Glutbett-Lichts.  <b>Einstellungen:</b> b5 - Allmähliche Helligkeitszunahme von b1 bis b4 b4 - Maximale Helligkeit b3 - Starke Hell b2 - Mittlere Helligkeit b1 - Geringe Helligkeit
<b>Temperatur-Regelung</b>		Regelt die Temperatur.  <b>Einstellungen:</b> 18°C (64°F) 19°C (66°F) 20°C (68°F) 21°C (70°F) 22°C (72°F) 23°C (74°F) 24°C (76°F) 25°C (78°F) 26°C (80°F) 27°C (82°F) und Aus  <b>HINWEIS:</b> Ändert das Temperaturformat von Fahrenheit zu Celsius oder umgekehrt. Halten Sie die Temperaturtaste für fünf Sekunden gedrückt.
<b>USB-Ladegerät</b>		<b>Smartphone lädt:</b> Rote Leuchte  <b>Smartphone geladen:</b> Grüne Leuchte  <b>HINWEIS:</b> Es handelt sich um eine ungefähre Anzeige des Lades-tatus Ihres Smartphones. Den genauen Ladestatus sehen Sie auf Ihrem Smartphone.  Weitere Informationen zum USB-Ladeausgang finden Sie im Ab-schnitt „Eigenschaften“.


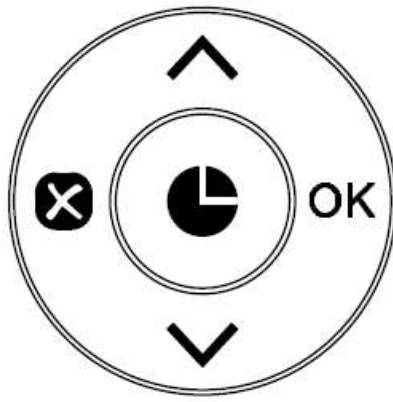


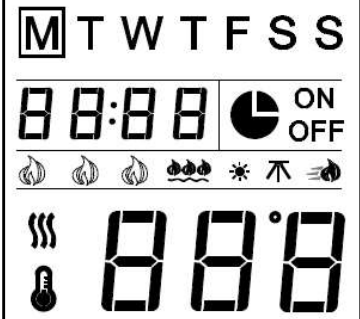
**Hinweis:**

Schaltflächen ohne Icons sind als Schaltflächen ohne Funktion anzusehen.





# Betriebsanweisungen

FR

## 3.3 Zeiteinstellungen auf der Fernbedienung

 <b>Zeituhr:</b> Zeigt die aktuelle Tag-, Uhrzeit- und Wocheneinstellung an. Drücken, um Zeituhreinstellungen einzugeben oder zu bestätigen.		
<b>OK</b> <b>Einstellungen:</b> Drücken, um mit dem nächsten Schritt fortzufahren (mit Zeituhr Taste verwenden). Drücken, um Wochenzeituhr zu bestätigen.		
 <b>Zurück:</b> Drücken, um Zeituhreinstellungen zu löschen. Drücken, um zum vorherigen Schritt zurückzukehren (mit Einstellungstaste verwenden).		
 <b>Nach oben und nach unten:</b> Mit Einstellungstaste verwenden.		
<b>LCD-Anzeige</b>		
<b>Wochentag:</b> _____ Mo, Di, Mi, Do, Fr, Sa, So		<b>HINWEIS:</b> .Die Funktionen können nur geändert werden, wenn die jeweiligen Buchstaben oder Ziffern blinken <b>HINWEIS:</b> Kalibrieren Sie die Zeituhr vor den wöchentlichen Einstellungen auf die aktuelle Zeit.
<b>Zeitanzeige:</b> _____		
Aktuelle Zeit/Zeituhr von 00:00 bis 24:00 <b>HINWEIS: 00-12:00 ist AM / 13:00-24:00 ist PM</b>		

### 3.3.1 Einstellen von Datum und Uhrzeit



1. Drücken Sie einmal  . Wenn „MON“ (Montag) blinkt, wählen Sie  mit den aktuellen Tag aus. Drücken Sie OK, um die Einstellung abzuschließen.
2. Wenn die Stundenziffern blinken, wählen Sie  mit die aktuelle Stundenzahl aus. Drücken Sie OK, um die Einstellung abzuschließen.
3. Wenn die Minutenziffern blinken, wählen Sie  mit die aktuelle Minutenzahl aus. Drücken Sie OK, um die Einstellung abzuschließen.

### 3.3.2 Festlegen der Ein-/Ausschaltzeit und Temperatur in wöchentlichem Rhythmus

1. Drücken Sie  einmal. Wenn „MON“ (Montag) blinkt, wählen Sie  mit den aktuellen Tag aus. Drücken Sie OK, um die Einstellung abzuschließen.

#### Hinweis:

Der Timer kann nur in 30-minütigen Intervallen eingestellt werden (d. h. 00:00–00:30, 00:30–01:00 usw.).



2. Wenn --:-- blinkt, wählen Sie  mit die gewünschte Stunden- und Minutenzahl aus, zu denen der Heizer eingeschaltet werden soll. Drücken Sie OK, um die Einstellung abzuschließen. Drücken Sie  jederzeit , um die Eingabe zu löschen und den „ON“-Timer zu beenden.

#### Hinweis:

Wenn bereits eine Temperatur eingestellt wurde, wird diese Einstellung anstatt der „18“ angezeigt.

3. Wenn „18“ blinkt können Sie  mit die gewünschte Temperatur für Montag wählen, bei der der Heizer eingeschaltet werden soll.



4. Wenn --:-- blinkt, wählen Sie  mit die gewünschte Stunden- und Minutenzahl aus, zu denen der Heizer ausgeschaltet werden soll. Drücken Sie OK, um die Einstellung abzuschließen. Drücken Sie  jederzeit, um die Eingabe zu löschen und den „OFF“-Timer zu beenden.
5. Wiederholen Sie die Schritte 1 bis 4, um die Ein- und Ausschaltzeiten und Temperaturen für Dienstag, Mittwoch, Donnerstag, Freitag, Samstag und Sonntag einzustellen.
6. Drücken Sie OK, um die Eingabe abzuschließen. Achten Sie darauf, dass die Fernbedienung auf den Empfänger in der Mitte des Geräts gerichtet ist. Das Gerät gibt einen Piepton ab, um zu bestätigen, dass die Eingabe erfolgreich war.

### 3.3.3 Warnung zu offenem Fenster

Wenn die Raumtemperatur innerhalb von 3 Minuten um 10 Grad sinkt, geht das Gerät davon aus, dass ein Fenster geöffnet wurde. Um Energie zu sparen, schaltet der Heizer automatisch von hoher Hitze auf niedrige Hitze um, oder, wenn der Heizer bereits auf niedrige Hitze eingestellt ist, schaltet er sich ganz aus.

Beim Umstellen von hoher Hitze auf niedrige Hitze gibt das Gerät 3 Pieptöne von sich. Im digitalen Display blinkt „88“ 3-mal auf. Dann wird der aktuelle Heizstatus angezeigt.

Wenn das Gerät sich abschaltet, gibt es 3 Pieptöne von sich. „88“ blinkt kontinuierlich im digitalen Display.

Wie Sie die Heizfunktion zurücksetzen, können Sie im Abschnitt „Bedienen der Fernbedienung“ nachlesen.

## 4.0 Abschließende Schritte

FR

### **! WARNUNG**

- Die Stromversorgung muss korrekt eingerichtet werden, bevor die letzten Teile montiert werden, um ein erneutes Auseinanderbauen zu vermeiden.
- Wärmeabzüge und Luftöffnungen dürfen in keinem Fall verdeckt werden.

### 4.1 Platzieren der Holzspanimitate

1. Legen Sie die Holzspanimitate vorsichtig auf die untere Medienschale (**Abb. 1**).
2. Verteilen Sie sie gleichmäßig.



Abb. 1

### 4.2 Platzieren der Holzimitate

1. Legen Sie die Holzimitate vorsichtig auf die Medienschale (**Abb. 2**).
2. Füllen Sie die Räume zwischen den Holzimitaten mit den Holzspanimitaten (siehe Abschnitt „Platzieren der Holzspanimitate“). Dadurch erhält das Gerät insgesamt eine bessere Optik.



Abb. 2 (Empfohlener Ersatz)

### **WARNUNG**

- Wenn die Teile nicht gemäß diesem Handbuch eingebaut werden oder Teile verwendet werden, die nicht für dieses Gerät zugelassen sind, können Sach- oder Personenschäden entstehen.

Bei Fragen zu Preisen und Richtlinien zu Ersatzteilen wenden Sie sich an Ihren Händler. In der Regel können alle Teile über Ihren autorisierten Händler/Lieferanten bestellt werden.

#### **Zur Erfüllung des Gewährleistungsanspruchs auf Ersatzteile ist eine Kopie der Originalrechnung erforderlich.**

Geben Sie bei der Bestellung von Ersatzteilen immer folgende Informationen an:

- Modell- und Seriennummer des Geräts
- Installationsdatum des Geräts
- Teilenummer
- Beschreibung des Teils
- Oberflächenausführung

**Teile, Teilenummern und Verfügbarkeit können ohne vorherige Ankündigung geändert werden.**

**Vorrätige Teile werden für die meisten Lieferorte innerhalb von zwei bis fünf Werktagen geliefert.**

**Nicht vorrätige Teile werden in den meisten Fällen innerhalb von zwei bis vier Wochen geliefert.**

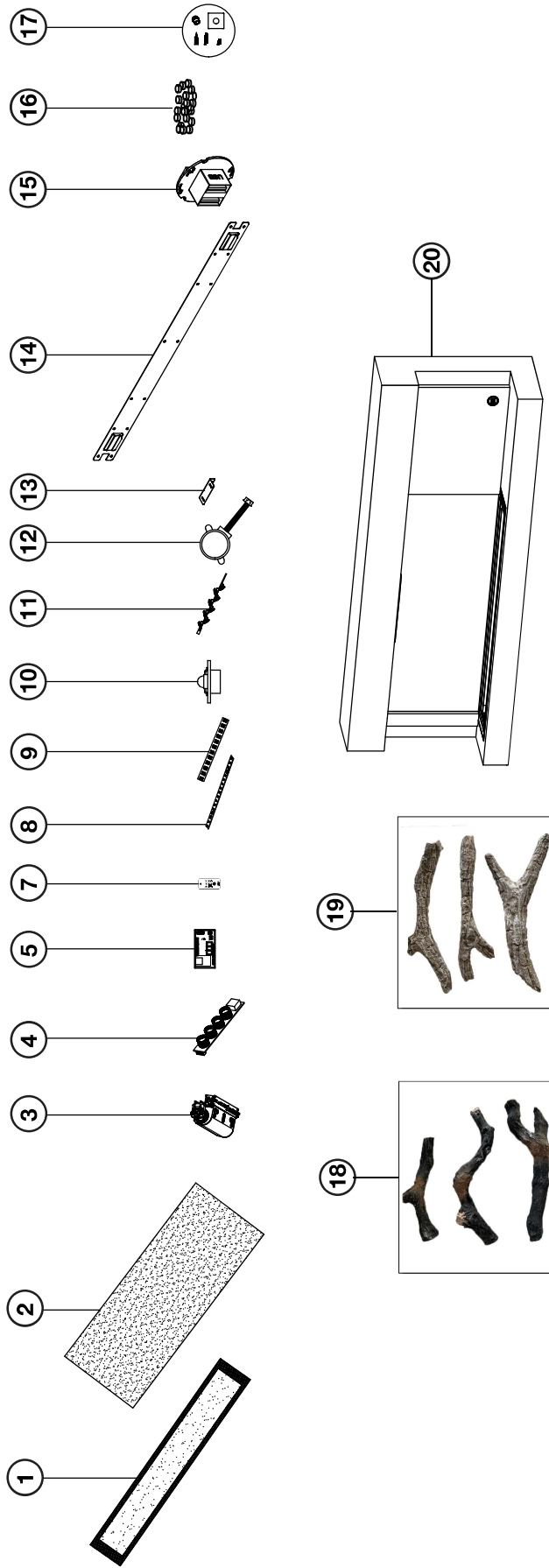
**Als „SO“ markierte Teile sind Sonderaufträge und können eine Lieferzeit von bis zu 90 Tagen erfordern.**

#### **Hinweis:**

Beim Entfernen und Entsorgen von zerbrochenem Glas oder beschädigten Bauteilen ist Vorsicht geboten. Saugen Sie Glasscherben vor dem Betrieb unbedingt aus dem Inneren des Geräts auf.

## Ersatzteile

## 5.1 Übersicht



Möglicherweise sehen einzelne Elemente nicht genau wie abgebildet aus.

Ref.-Nr.	Teilnr.	Beschreibung	Auf Lager
1	W300-0291-SER	Mattschwarzes Gestell, Glas	Ja
2	W497-0053-SER	Acryl-Kunststoffblende	Ja
3	W010-4760-SER	Heizungs- und Gebläsebaugruppe	
4	W190-0143-SER	Touch-On-Bedienleiste	Ja
5	W190-0186-SER	Steuerung Hauptleiterplatte	
6*	W690-0021	Thermostat	Ja
7	W190-0187-SER	Fernbedienung	
8	W405-0069-SER	LED-Licht – Glut	Ja
9	W405-0068-SER	LED-Licht – Flamme	Ja
10	W405-0075-SER	LED-Licht – Seitenakzent	Ja
11	W527-0032-SER	Reflektorspindel	Ja
12	W435-0090-SER	Schrittmotor	Ja
13	W080-1916-SER	Halterung, Rückwand unten	Ja
14	W080-1917-SER	Halterung, Rückwand	Ja
15	W190-0145-SER	USB-Ladegerät	Ja
16	W497-1627-SER	Holzspanimitate	Ja
17	W370-0150-SER	Montage-Kit	Ja
18	W135-1014-SER	Holzimitate, Weinstock	Ja
19	W135-1015-SER	Holzimitate, Treibholz	Ja
20	NEFS32-5320BW	Gestell	Ja
21*	W005-0023-SER	Adapter für das Vereinigte Königreich	
22*	W005-0024-SER	Adapter für die Schweiz	

\* Teile nicht abgebildet.

## **WARNUNG**

- Schalten Sie das Gerät vollständig aus und lassen Sie es vor der Wartung abkühlen. Das Elektrogerät darf nur von qualifiziertem Servicepersonal gewartet und repariert werden.

Symptom	Problem	Lösung
Das Gerät schaltet sich nicht ein, wenn der Netzschalter in die Ein-Position gebracht wird.	Das Gerät ist nicht an eine Steckdose angeschlossen.	Überprüfen Sie den Stecker und schließen Sie das Gerät gegebenenfalls an.
	Das Gerät ist überhitzt und der Thermoschutzschalter hat ausgelöst.	Ziehen Sie das Netzkabel oder schalten Sie den Sicherungsschalter aus. Lassen Sie das Gerät 15 Minuten abkühlen und schließen Sie dann das Netzkabel wieder an oder schalten Sie den Sicherungsschalter ein.
	Problem mit der Hauptleiterplatte.	Überprüfen Sie die Leiterplatte und tauschen Sie sie gegebenenfalls aus.
Das Gerät schaltet sich aus und lässt sich nicht wieder einschalten.	Der Sicherungsschalter des Hauses hat ausgelöst.	Setzen Sie den Sicherungsschalter des Hauses zurück.
	Die Sicherung des Geräts ist durchgebrannt.	Tauschen Sie die Sicherung aus.
	Das Gerät ist überhitzt und der Thermoschutzschalter hat ausgelöst.	Ziehen Sie das Netzkabel oder schalten Sie den Sicherungsschalter aus. Lassen Sie das Gerät zum Zurücksetzen des Thermoschutzschalters 15 Minuten abkühlen und schließen Sie dann das Netzkabel wieder an oder schalten Sie den Sicherungsschalter ein.
Das Gerät ist zu den Standardeinstellungen zurückgekehrt.	Stromausfall.	Reprogrammieren Sie das Gerät auf die ursprünglichen Einstellungen (gilt nicht für alle Geräte).
Die Fernbedienung funktioniert nicht.	Schwache oder leere Batterien.	Tauschen Sie die Batterien in der Fernbedienung aus.
	Fehlfunktion des Fernempfängers.	Vergewissern Sie sich, dass der Fernempfänger nicht blockiert wird. Tauschen Sie das Bedienfeld aus.
Es kommt keine warme Luft aus dem Gerät.	Es wurde keine Heizeinstellung ausgewählt.	Siehe Abschnitt „Betrieb“.
	Der Heizer wurde gesperrt.	Siehe Abschnitt „Betrieb“.
	Die Raumtemperatur ist höher als die Geräteeinstellung (falls auf Raumtemperatur gestellt).	Setzen Sie die Temperatureinstellung zurück.
	Das Gerät ist überhitzt und der Thermoschutzschalter hat ausgelöst.	Ziehen Sie den Netzstecker oder schalten Sie den Sicherungsschalter aus. Lassen Sie das Gerät 15 Minuten lang abkühlen.
	Probleme mit dem Heizer	Überprüfen Sie das Gebläse und den Heizer und tauschen Sie sie gegebenenfalls aus.
Der Heizer schaltet automatisch aus.	Der Raum ist zu warm.	Der Heizer hat einen eingebauten Thermostat. Er schaltet sich daher automatisch aus, sobald die voreingestellte Temperatur erreicht ist. Er schaltet sich wieder ein, sobald die Raumtemperatur unter die voreingestellte Temperatur fällt.
Schwache oder keine Flamme.	Flammenhelligkeit nicht ausgewählt.	Siehe Abschnitt „Betrieb“.
	Problem mit Flammen-LED.	Überprüfen Sie die LED und tauschen Sie sie gegebenenfalls aus.
	Problem mit der Hauptleiterplatte.	Überprüfen Sie die Hauptleiterplatte und tauschen Sie sie gegebenenfalls aus.
Flamme bewegt sich nicht.	Motor ist abgewürgt/funktioniert nicht.	Zyklus ein/aus. Wenn das Problem weiterhin besteht, wenden Sie sich an Ihren Händler.

# Fehlerbehebung

FR

Das Glutbett glüht nicht und wird auch nicht dunkler.	Die Helligkeit wurde nicht ausgewählt.	Siehe Abschnitt „Betrieb“.
	Problem mit der Glut-LED.	Überprüfen Sie die Glutbett-LED und tauschen Sie sie gegebenenfalls aus.
	Problem mit der Hauptleiterplatte.	Überprüfen Sie die Hauptleiterplatte und tauschen Sie sie gegebenenfalls aus.
LED blinkt „ON“.	Das Gerät ist überhitzt und der Thermoschutzschalter hat ausgelöst.	Ziehen Sie den Netzstecker oder schalten Sie den Sicherungsschalter aus. Lassen Sie das Gerät 15 Minuten abkühlen und schließen Sie dann das Netzkabel wieder an oder schalten Sie den Sicherungsschalter ein. Wenn das Problem weiterhin besteht, wenden Sie sich an Ihren Händler.

**Napoleon** Elektrogeräte werden unter dem strengen Standard der weltweit anerkannten Qualitätsmanagementnorm ISO 9001 : 2015 hergestellt.

Die Produkte von **Napoleon** werden mit hochwertigen Komponenten und Materialien entwickelt und von qualifizierten Facharbeitern montiert, die großen Wert auf die Qualität ihrer Arbeit legen. Nach der Montage wird das komplette Gerät vor dem Verpacken von einem qualifizierten und zugelassenen Installateur, einer Servicestelle oder einem Lieferanten gründlich inspiziert, um sicherzustellen, dass Sie als Kunde das Qualitätsprodukt erhalten, das Sie von **Napoleon** erwarten.

### Eingeschränkte Garantie von Napoleon auf Elektrogeräte

Elektrische Komponenten und Verschleißteile sind abgedeckt, und **Napoleon** stellt während der ersten 2 Jahre der eingeschränkten Garantie kostenlos Ersatzteile zur Verfügung. Dies beinhaltet: Lüfter/Heizgeräte, Motoren, Schalter, Nylon-Lagerkomponenten, Fernbedienungen und LED-Leuchten.\*

Glühlampen und Sicherungen sind NICHT durch die Garantie abgedeckt.

Jegliche Arbeit im Zusammenhang mit Garantiereparaturen ist nicht abgedeckt.

\* Die Konstruktion verschiedener Modelle variiert. Die Garantie gilt nur für Komponenten Ihres spezifischen Geräts.

### Bedingungen und Einschränkungen

**Napoleon** übernimmt die Gewährleistung seiner Produkte für Herstellungsfehler ausschließlich dem ursprünglichen Käufer gegenüber. Eine Registrierung Ihrer Garantie ist nicht erforderlich. Legen Sie einfach Ihren Kaufbeleg zusammen mit der Modell- oder Seriennummer vor, um einen Garantieanspruch geltend zu machen. Vorausgesetzt, dass der Kauf über einen autorisierten **Napoleon** Händler erfolgt ist, gelten für unser Gerät folgende Bedingungen und Einschränkungen: Der Garantieanspruch beginnt mit dem Datum der ursprünglichen Installation.

Diese Werksgewährleistung ist nicht übertragbar und kann in keiner Form von einem unserer Vertreter verlängert werden. Der Einbau hat in Übereinstimmung mit der im Lieferumfang enthaltenen Einbauanleitung sowie lokalen und nationalen Bau- und Brandschutzverordnungen zu erfolgen.

Diese eingeschränkte Gewährleistung deckt keine Schäden ab, die durch Fehlgebrauch, fehlende Wartung, Unfälle, Umbau, unsachgemäße Verwendung oder Nachlässigkeit entstehen; durch den Einbau von Ersatzteilen anderer Hersteller wird diese Gewährleistung nichtig.

Diese eingeschränkte Gewährleistung deckt des Weiteren keine Kratzer, Dellen, Korrosion oder Verfärbungen durch Hitze, abrasive und chemische Reinigungsmittel sowie das Abblättern bei porzellanisierten Teilen oder mechanischen Bruch von PHAZER™ Holzscheiten ab.

Nur in den ersten 2 Jahren erstreckt sich diese Garantie auf die Reparatur oder den Ersatz von Teilen, die unter die Garantie fallen und Material- oder Verarbeitungsfehler aufweisen, vorausgesetzt, dass das Produkt in Übereinstimmung mit der Bedienungsanleitung und unter normalen Bedingungen betrieben wurde.

**Napoleon** übernimmt keine Verantwortung für den Einbau, die Arbeitskosten oder andere Ausgaben im Zusammenhang mit dem erneuten Einbau des über die Gewährleistung bezogenen Teils; und solche Kosten werden von dieser Gewährleistung nicht abgedeckt. Unbeschadet anders lautender Bestimmungen in dieser eingeschränkten Gewährleistung ist die Verantwortung von **Napoleon** wie oben beschrieben definiert und wird in keinem Fall auf zufällige, daraus folgende oder indirekte Schäden erweitert.

Diese Garantie definiert die Verpflichtungen und die Haftung von **Napoleon** in Bezug auf das **Napoleon** Elektrogerät und alle anderen ausdrücklichen oder impliziten Garantien in Bezug auf dieses Produkt; seine Komponenten oder Zubehörteile sind ausgeschlossen.

**Napoleon** übernimmt keine weiteren Haftungen im Hinblick auf den Verkauf dieses Produkts und autorisiert keine Dritten zur Übernahme solcher Haftungen.

Jegliche Schäden an Geräten, Messingbeschlägen oder anderen Komponenten durch Wasser, Witterungsschäden, lange Feuchtigkeitsperioden, Kondenswasser, schädliche Chemikalien oder Reinigungsmittel fallen nicht in die Verantwortung von **Napoleon**.

**Napoleon** behält sich das Recht vor, das Produkt oder das Teil vor der Gewährung der Ansprüche durch einen Vertreter überprüfen zu lassen.

Für alle im Rahmen der eingeschränkten Gewährleistung ausgetauschten Teile ist nur ein einzelner Anspruch möglich.

Alle Teile, die im Rahmen der Garantie ersetzt werden, sind für einen Zeitraum von 90 Tagen ab dem Datum ihrer Installation abgedeckt.

Der Hersteller kann verlangen, dass defekte Teile oder Produkte zurückgegeben werden oder dass digitale Bilder zur Unterstützung des Anspruchs zur Verfügung gestellt werden. Zurückgesandte Produkte sind zur Unterstützung franko an den Hersteller zu senden. Wenn festgestellt wird, dass ein Produkt defekt ist, repariert oder ersetzt der Hersteller diesen Defekt.

Bevor Sie Ihr Gerät oder defekte Komponenten versenden, muss Ihr Händler eine Autorisierungsnummer erhalten. Alle ohne Genehmigung versendeten Waren werden nicht angenommen und an den Absender zurückgeschickt.

Versandkosten sind nicht durch diese Garantie abgedeckt.

Es können zusätzliche Servicegebühren anfallen, wenn Sie Garantieleistungen von einem Händler in Anspruch nehmen.

Alle Spezifikationen und das Design können aufgrund von laufenden Produktverbesserungen ohne vorherige Ankündigung geändert werden.

**Napoleon** ist eine eingetragene Marke von Wolf Steel Ltd.

# FEIERN SIE MIT UNS – SEIT ÜBER 40 JAHREN WOHNKOMFORT PRODUKTE VON NAPOLEON!



**WEEE: DE 16309132**



**Bedeutung der durchgestrichenen Abfalltonne auf Rädern:**

**Entsorgen Sie Elektrogeräte nicht über den Hausmüll. Nutzen Sie separate Sammelstellen. Informationen zu verfügbaren Sammelsystemen erhalten Sie bei Ihrer Gemeindeverwaltung. Wenn Elektrogeräte auf Müllhalden oder Deponien entsorgt werden, können gefährliche Stoffe in das Grundwasser und damit in die Nahrungskette gelangen, was eine Gefahr für Gesundheit und Wohlbefinden darstellt.**

**Beim Austausch alter Geräte gegen neue ist der Händler gesetzlich verpflichtet, Ihr altes Gerät mindestens kostenfrei zurückzunehmen.**



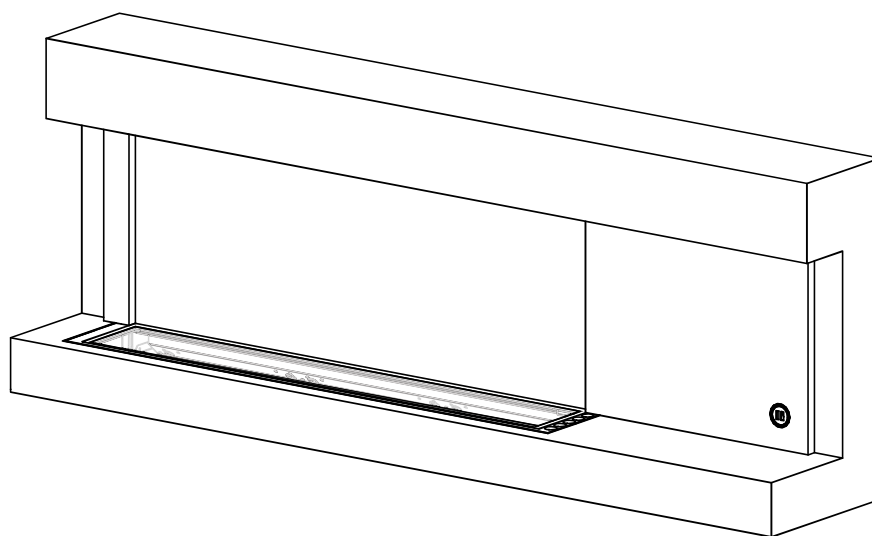
7200, Route Transcanadienne, Montréal, Québec H4T 1A3  
24 Napoleon Road, Barrie, Ontario, Canada L4M 0G8  
214 Bayview Drive, Barrie, Ontario, Canada L4N 4Y8  
103 Miller Drive, Crittenden, Kentucky, USA 41030  
De Riemsdijk 22, 4004 LC Tiel, Niederlande  
napoleon.com





# INSTALLATIE- EN BEDIENINGSHANDLEIDING

## Stylus Steinfeld elektrische open haard voor wandmontage



### VEILIGHEIDSINFORMATIE

#### **WAARSCHUWING**

##### **BRAND- OF EXPLOSIEGEVAAR**

Nalaten de informatie in deze instructies nauwlettend te volgen, kan brand of een explosie met materiële schade, persoonlijk letsel of overlijden tot gevolg hebben.

- Gebruik of bewaar geen benzine of andere ontvlambare dampen en vloeistoffen in de buurt van dit of enig ander apparaat.

##### **INSTALLATEUR:**

Laat deze handleiding bij het apparaat achter

##### **EIGENAAR:**

Bewaar deze handleiding voor toekomstig gebruik



**ALLEEN VOOR GEBRUIK BINNENSHUIS**  
GEÏMPORTEERD DOOR WOLF STEEL EUROPE (NEDERLAND)



Wolf Steel Europe BV  
De Riemsdijk 22, 4004 LC Tiel, Nederland

## WAARSCHUWING

- **Als het apparaat is uitgerust met een verwarming kan het apparaat tijdens gebruik heet worden en bij aanraking ernstige brandwonden veroorzaken.**
- Gebruik het apparaat niet voordat u de bedieningsinstructies hebt gelezen en begrepen. Als het apparaat niet volgens de bedieningsinstructies wordt gebruikt, kan dit tot brand of letsel leiden.
- Installeer geen beschadigde, onvolledige of vervangende onderdelen.
- Brand geen hout of andere materialen in dit apparaat.
- Alle elektrische apparaten bevatten hete onderdelen en kunnen vonkoverslag of vonken veroorzaken. Gebruik het apparaat niet in omgevingen waar een gasleiding, verf of ontvlambare vloeistoffen aanwezig zijn.
- Alle veiligheidsrekken of haardschermen die voor onderhoud zijn verwijderd, moeten worden teruggeplaatst voordat u het apparaat gebruikt.
- Het is van groot belang dat de bedieningscompartimenten, de circulatieblower en de doorgang in het apparaat schoon worden gehouden. Het apparaat moet vóór gebruik en ten minste eenmaal per jaar worden geïnspecteerd door een erkende servicemonteur. U moet het apparaat mogelijk vaker reinigen als gevolg van overmatige pluis van vloerbedekking, beddengoed, etc. De ruimte rond het apparaat mag geen brandbare materialen, benzine of andere ontvlambare dampen en vloeistoffen bevatten.
- Dit apparaat mag in geen geval worden gemodificeerd.
- Gebruik dit apparaat niet als een deel ervan onder water is geweest. Neem onmiddellijk contact op met een erkende servicemonteur om het apparaat te laten inspecteren en om de onderdelen van het regelsysteem te vervangen die onder water zijn geweest.
- Als het apparaat is uitgerust met het glasfront, mag u het apparaat niet bedienen als de glazen deur is verwijderd, gebarsten of gebroken. Het glas moet worden vervangen door een bevoegde of erkende servicemonteur. Gooi of sla de glazen deur van het apparaat niet dicht.
- Houd het verpakkingsmateriaal buiten het bereik van kinderen en voer het materiaal op een veilige manier af. Net als een plastic zak is verpakkingsmateriaal geen speelgoed, en moet uit de buurt van kinderen en baby's worden gehouden.
- Onderhoud mag alleen worden uitgevoerd als het apparaat is losgekoppeld van het elektriciteitsnet.
- Haal altijd de stekker uit het stopcontact wanneer u het apparaat niet gebruikt.
- Gebruik dit apparaat niet als het snoer of de stekker beschadigd is nadat het apparaat defect geraakt is of gevallen of beschadigd is. Breng het apparaat naar een erkende onderhoudsdienst voor controle, elektrische of mechanische afstelling of reparatie.
- Niet buitenshuis gebruiken.
- Als u dit apparaat in een ruimte installeert waar water aanwezig is, moet de installatie voldoen aan de voorschriften voor ruimtes met een verhoogd gevaar voor elektrische schokken en elektrocutie.

### **opmerking:**

Dit apparaat is NIET geschikt voor installatie in een badkamer.

- Leg het snoer niet onder vloerbedekking. Bedek het snoer niet met vloerkleden, lopers of vergelijkbare attributen. Houd het snoer uit looppaden om ervoor te zorgen dat niemand erover struikelt.
- Alleen aansluiten op een goed geaard stopcontact.
- Zorg dat er geen voorwerpen in de ventilatie- of uitlaatopeningen komen, omdat dit elektrische schok of brand kan veroorzaken of het apparaat kan beschadigen.
- Het is normaal dat uw elektrische apparaat geluid maakt, vooral wanneer het in een stille ruimte zoals een slaapkamer wordt geïnstalleerd.

## WAARSCHUWING

- Om een eventuele brand te voorkomen, mag u de luchtinlaat of uitlaat op geen enkele wijze blokkeren. Gebruik het apparaat niet op zachte oppervlakken, zoals een vloerkleed, waar openingen geblokkeerd kunnen raken.
- Sluit apparaten altijd rechtstreeks aan op een wandcontactdoos/stopcontact. Gebruik nooit een verlengsnoer of een verplaatsbare stekkerdoos (verdeeldoos).
- Deze elektrische apparaten zijn alleen getest en bedoeld voor gebruik met de optionele accessoires die in deze instructies worden vermeld. Door optionele accessoires te gebruiken die niet specifiek voor dit apparaat zijn getest, kan de garantie vervallen en/of veiligheidsgevaar ontstaan.

### Voor apparaten die zijn uitgerust met een verwarming:

- Gevaar voor brandwonden. Schakel het apparaat uit en laat het afkoelen voordat u onderhoud uitvoert. U kunt de stroom uitschakelen door het apparaat uit te zetten en de stekker uit het stopcontact te halen.
- Houd toezicht op jonge kinderen die zich in dezelfde ruimte als het apparaat bevinden. Peuters, jonge kinderen en anderen lopen het risico zich per ongeluk te branden. Als er personen uit kwetsbare groepen in huis zijn, adviseren we een fysieke barrière te gebruiken. Om te beperken wie bij een apparaat of fornuis kan komen, plaatst u een verstelbaar veiligheidshek dat peuters, jonge kinderen en andere kwetsbare personen uit de kamer en uit de buurt van hete oppervlakken houdt.
- Leg geen kleding of ander brandbaar materiaal op of in de buurt van het apparaat.
- Vanwege de hoge temperatuur mag dit apparaat niet in looppaden en vlak bij meubels en gordijnen worden geplaatst.
- Tref voldoende veiligheidsmaatregelen om te voorkomen dat baby's/peuters de hete oppervlakken kunnen aanraken.
- Zelfs nadat het apparaat is uitgeschakeld, blijven het glas en/of het scherm nog geruime tijd heet.
- Neem contact op met uw plaatselijke leverancier van kachels en haarden voor veiligheidsrekken en haardschermen om kinderen te beschermen tegen hete oppervlakken. Deze schermen en rekken moeten aan de vloer worden bevestigd.
- Zorg dat u bij het bouwen van een mantel of planken boven het apparaat voldoende afstand houdt tot brandbare stoffen. Doordat de muur of de lucht boven het apparaat opwarmt, kunnen decoraties, tv's of andere elektronische componenten smelten, verkleuren of beschadigen.
- Het apparaat mag niet direct onder een stopcontact worden geplaatst.
- Dit apparaat mag worden gebruikt door kinderen vanaf 8 jaar en door personen met verminderde lichamelijke zintuiglijke, geestelijke capaciteiten of gebrek aan ervaring en kennis, mits onder toezicht of als ze uitleg hebben gekregen over veilig gebruik van het apparaat en alle gevaren begrijpen. Kinderen mogen niet met het apparaat spelen. Reiniging en gebruikersonderhoud mogen niet door kinderen zonder toezicht worden uitgevoerd.

 **WAARSCHUWING:** Dit product kan u blootstellen aan chemicaliën zoals lood en loodverbindingen, die in de staat Californië bekend staan als kankerverwekkend, en aan chemicaliën zoals BBP en DEHP, die in de staat Californië bekend staan als stoffen die geboortefwijkingen of andere reproductieve schade veroorzaken. Ga voor meer informatie naar [www.P65Warnings.ca.gov](http://www.P65Warnings.ca.gov).

<b>1.0</b>	<b>algemene informatie</b>	<b>77</b>
1.1	apparaatoverzicht	77
1.1.1	e-box & sierrand	77
1.1.2	functies	77
1.2	afmetingen	78
1.3	goedkeuringen	78
1.4	algemene instructies	79
1.5	het apparaat uitpakken en testen	79
1.6	informatie typeplaatje	79
1.7	lijst montagemateriaal	80
<b>2.0</b>	<b>installeren</b>	<b>81</b>
2.1	de locatie van het apparaat	81
2.2	minimale afstand tot brandbare stoffen	82
2.3	minimale afstand tot de mantel	82
2.4	het apparaat aan de muur bevestigen (wandmontage)	83
<b>3.0</b>	<b>bedieningsinstructies</b>	<b>85</b>
3.1	het bedieningspaneel	85
3.2	bediening met de afstandsbediening	86
3.3	timerinstellingen op de afstandsbediening	88
3.3.1	huidige dag en tijd instellen	88
3.3.2	AAN/UIT-tijd en -temperatuur op een wekelijkse cyclus instellen	88
3.3.3	waarschuwing voor open raam	89
<b>4.0</b>	<b>afwerking</b>	<b>90</b>
4.1	plaatsen van de imitatie hout embers	90
4.2	installeren van de 6-dlge imitatie houtset	90
<b>5.0</b>	<b>vervangingsonderdelen</b>	<b>91</b>
5.1	overzicht	92
<b>6.0</b>	<b>probleemoplossing</b>	<b>93</b>
<b>7.0</b>	<b>garantie</b>	<b>95</b>

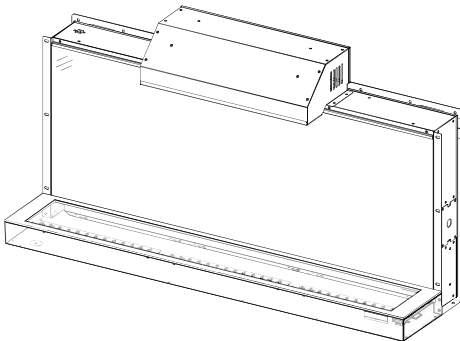
**opmerking:**

De informatie in deze handleiding wordt verondersteld juist te zijn op de datum waarop het is gedrukt. Wolf Steel Ltd. behoudt zich het recht voor om informatie in deze handleiding zonder voorafgaande kennisgeving te wijzigen. Andere wijzigingen dan redactionele wijzigingen worden aangegeven met een verticale lijn in de kantlijn.

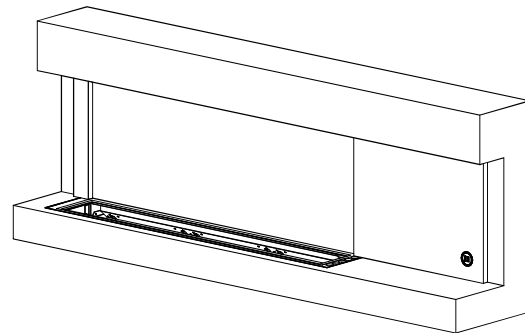
## 1.1 apparaatoverzicht

### 1.1.1 e-box & sierrand

Uw NEFP32-5320BW-EU-apparaat wordt volledig gemonteerd geleverd, met uitzondering van de accessoires (zie het hoofdstuk 'afwerking' voor meer informatie). Het apparaat bestaat uit de volgende twee onderdelen:



**NEFLC32H-EU**  
**E-Box**



**NEFS32-5320BW**  
**Sierrand**

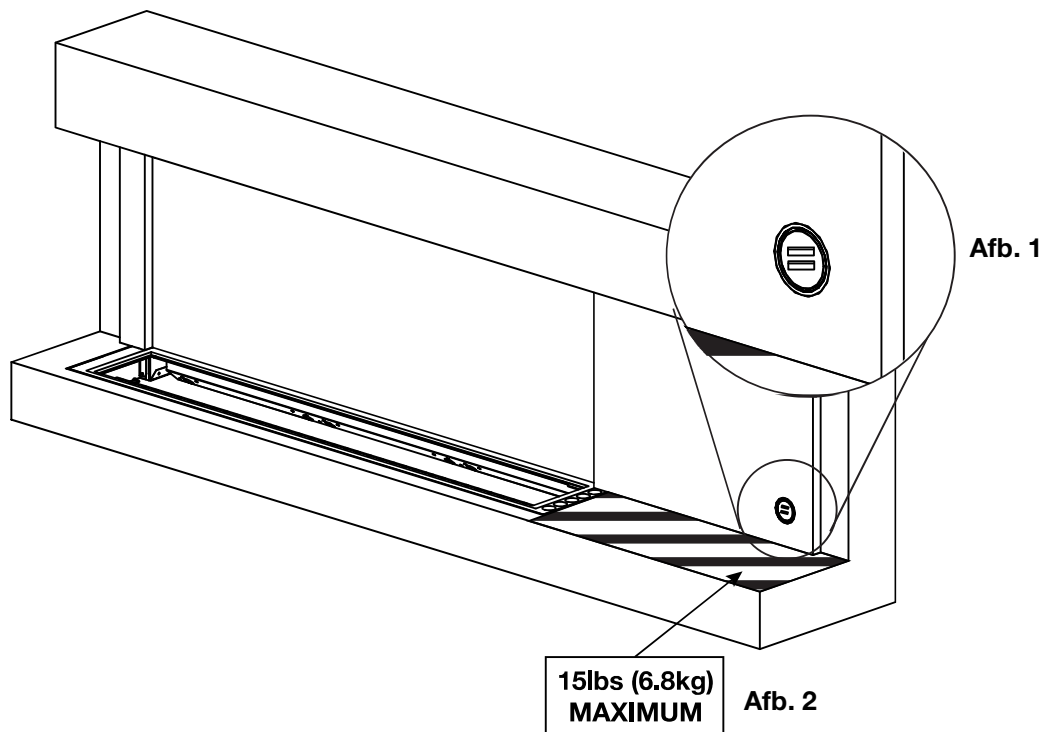
### 1.1.2 functies

Dit apparaat is voorzien van een USB-oplader aan de rechterkant van de NEFS32-5320BW-sierrand (**afb. 1**). Zie het hoofdstuk 'bedieningsinstructies' voor meer informatie.

**opmerking:**

Deze USB-oplader is mogelijk niet compatibel met alle telefoontypen.

De NEFS32-5320BW-sierrand is ALLEEN in het gearceerde gebied dragend (**afb. 2**), met een maximaal draagvermogen van 6,8 kg (15 lbs). Plaats geen voorwerpen op een ander onderdeel van het apparaat.

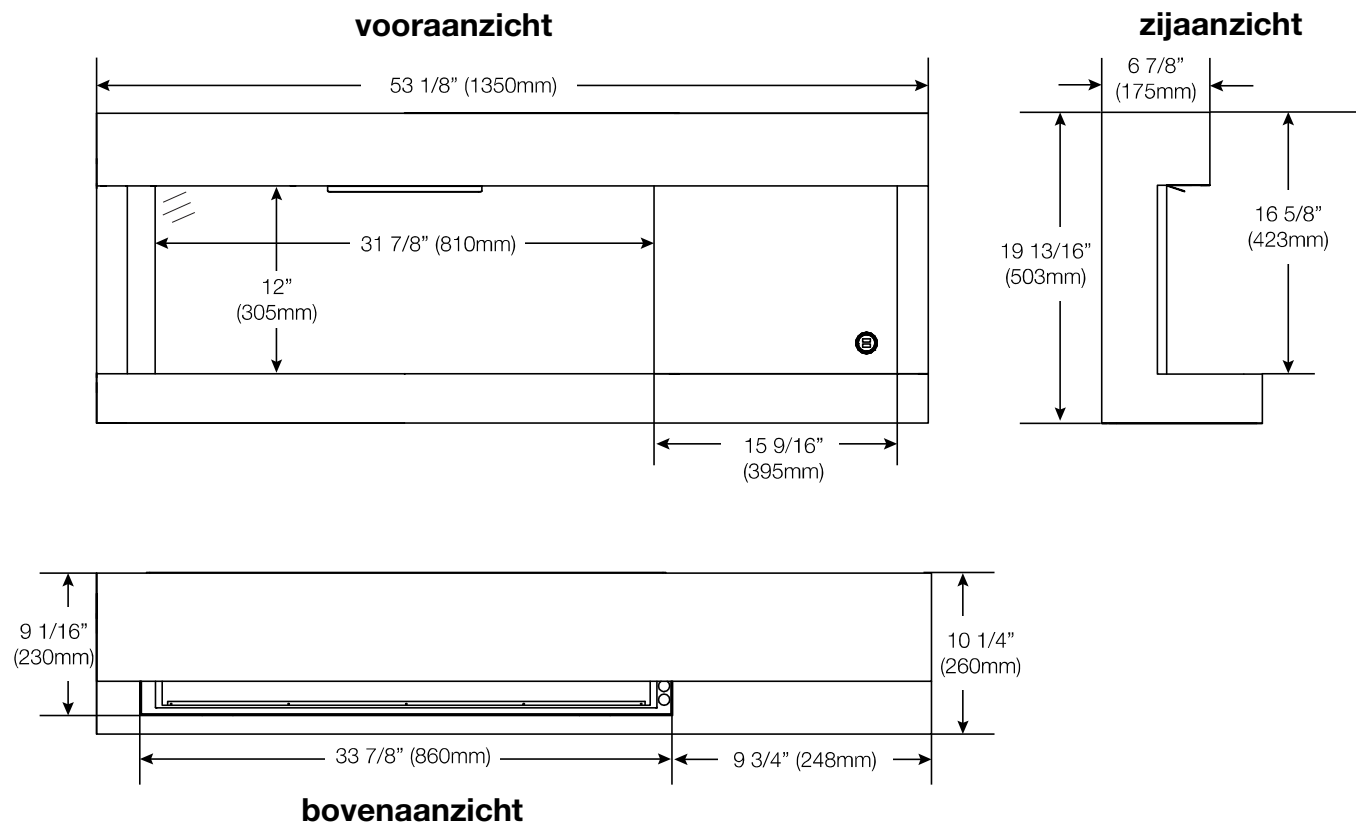


Batterijen moeten worden afgevoerd volgens de plaatselijke wet- en regelgeving. Sommige batterijen kunnen worden gerecycled en ingeleverd bij uw plaatselijke recyclingcentrum. Neem contact op met uw gemeente voor recyclinginstructies.

# algemene informatie

NL

## 1.2 afmetingen



## 1.3 goedkeuringen

<b>Modelnummer</b>	NEFP32-5320BW-EU
<b>Omschrijving</b>	Eigentijds elektrisch apparaat van 150 cm voor wandmontage
<b>Spanning</b>	220-240 VAC
<b>Vermogen</b>	Max 1400-1600W
<b>Stroom</b>	Geaard circuit van 10 A
<b>Breedte van het apparaat</b>	53 1/8" (1350mm)
<b>Hoogte van het apparaat</b>	19 11/16" (500mm)
<b>Diepte van het apparaat</b>	10 1/4" (260mm)
<b>Nettogewicht</b>	61lbs (27,8kg)
<b>Brutogewicht</b>	91lbs (41,5kg)

## 1.4 algemene instructies

- Controleer voordat u het apparaat op een stopcontact aansluit of de stroomonderbrekers voor dat stopcontact zijn ingeschakeld.
- Het apparaat kan een lichte, onschadelijke geur afgeven wanneer het voor het eerst wordt gebruikt. Deze geur is normaal en eenmalig en wordt afgegeven door interne elementen die voor het eerst worden verwarmd.
- Als het apparaat geen warmte afgeeft als dat wel zou moeten, raadpleegt u het hoofdstuk 'bedieningsinstructies' in deze handleiding voor meer informatie.
- Leg het netsnoer niet direct onder het apparaat.







## 1.5 het apparaat uitpakken en testen

Haal het apparaat voorzichtig uit de doos en verwijder de steunen. Verwijder voordat u het apparaat installeert al het verpakkingsmateriaal en test of het apparaat goed werkt door het netsnoer aan te sluiten op een gunstig geplaatst,geaard stopcontact van 220-240 V en minimaal 10 A.

## 1.6 informatie typeplaatje

ELECTRIC FIREPLACE. SUITABLE FOR BEDROOM AND BED-SITTING ROOM INSTALLATION. SUITABLE FOR MOBILE HOME INSTALLATION.

VOLTAGE: 220-240 VAC  
 FREQUENCY: 50Hz  
 POWER: 1400-1600W  
 DATE CODE: XXXXX

MODELS

NEFLC32H-EU                       CEFLC32H-EU

Manufacturer: Wolf Steel Ltd.  
 24 Napoleon Road,  
 Barrie, ON, L4M 0G8 Canada

Importer: Wolf Steel Europe BV  
 De Riemsdijk 22, 4004 LC Tiel,  
 The Netherlands

DESIGNED IN NORTH AMERICA  
 BY WOLF STEEL LTD.  
 MADE IN CHINA

SERIAL NUMBER: **NEFLC32000000**                      W385-2595

Deze afbeelding dient uitsluitend ter illustratie. Raadpleeg het typeplaatje op het apparaat voor de juiste informatie.

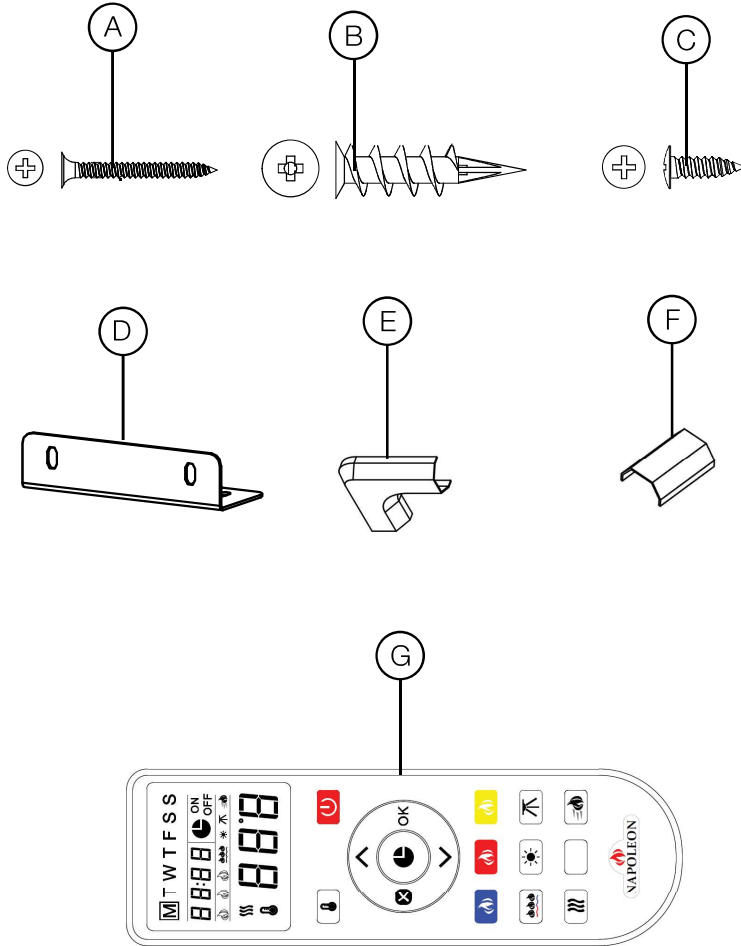
### opmerking:

Het typeplaatje moet altijd bij het apparaat blijven. Het mag niet worden verwijderd.

# algemene informatie

NL

## 1.7 lijst montage materiaal



	Omschrijving	Aantal
<b>A</b>	Houtschroeven	18
<b>B</b>	Gipsplaatankers	
<b>C</b>	ST4x12 Metaalschroeven	4
<b>D</b>	Steun	2
<b>E</b>	Kabelhoek	
<b>F</b>	Kabel afdekking	
<b>G</b>	Afstandsbediening	1



## WAARSCHUWING

- Brandgevaar! Het netsnoer mag niet tegen een scherpe rand geklemd zitten. Zet het snoer vast om struikelen of vasthaken te voorkomen en de kans op brandgevaar, een elektrische schok of persoonlijk letsel te beperken. Leg het snoer niet onder vloerbedekking. Bedek het snoer niet met vloerkleden, lopers of vergelijkbare attributen. Houd het snoer uit looppaden om ervoor te zorgen dat niemand erover struikelt.
- Brandgevaar! Om een eventuele brand te voorkomen, mag u de luchtinlaat of uitlaat op geen enkele wijze blokkeren. Gebruik het apparaat niet op zachte oppervlakken waar openingen kunnen worden geblokkeerd.
- Brandgevaar! Blaas of plaats geen isolatie tegen het apparaat.
- Dit elektrische apparaat is alleen getest en bedoeld voor gebruik met de goedgekeurde optionele accessoires. Door optionele accessoires te gebruiken die niet specifiek voor dit elektrische apparaat zijn getest, kan de garantie vervallen en/of veiligheidsgevaar ontstaan.
- Nalaten de informatie in deze instructies nauwlettend te gebruiken, kan brand of een explosie met materiële schade, persoonlijk letsel of overlijden tot gevolg hebben. Bewaar of gebruik geen benzine of andere ontvlambare dampen in de buurt van dit of enig ander apparaat.
- Dit apparaat is zwaar. Het wordt sterk aanbevolen om dit apparaat met twee personen te installeren.
- Voor apparaten die zijn uitgerust met een verwarming, moet worden gezorgd dat de ventilatieopeningen op geen enkele wijze kunnen worden afgedekt, om brandgevaar te vermijden.
- Leg het netsnoer niet horizontaal, direct onder het apparaat.

Uw apparaat is geschikt voor wandmontage. Kies een geschikte, niet-vochtgevoelige locatie uit de buurt van gordijnen, meubels en looppaden.

### opmerking:

Houd u aan alle nationale en plaatselijke elektrische voorschriften.

## 2.1 de locatie van het apparaat

### WAARSCHUWING

- Vanwege de hoge temperatuur mag dit elektrische apparaat niet in looppaden worden geplaatst. Houd brandbare materialen zoals meubels, kussens, beddengoed, papier, kleding, gordijnen en soortgelijke voorwerpen minstens 91 cm (36 inch) van de voorzijde van het apparaat verwijderd.
- Plaats dit elektrische apparaat nooit ergens waar het in een waterbassin kan vallen.
- Draag tijdens installatie en onderhoud veiligheidshandschoenen en een veiligheidsbril.
- Om aanraking met doorgezakte of losse isolatie te voorkomen, mag het apparaat niet worden geïnstalleerd tegen een vochtscherm of blootliggende isolatie. Lokale oververhitting kan optreden wat kan leiden tot brand.
- Stel het apparaat niet bloot aan het weer (zoals regen).

# installeren

NL

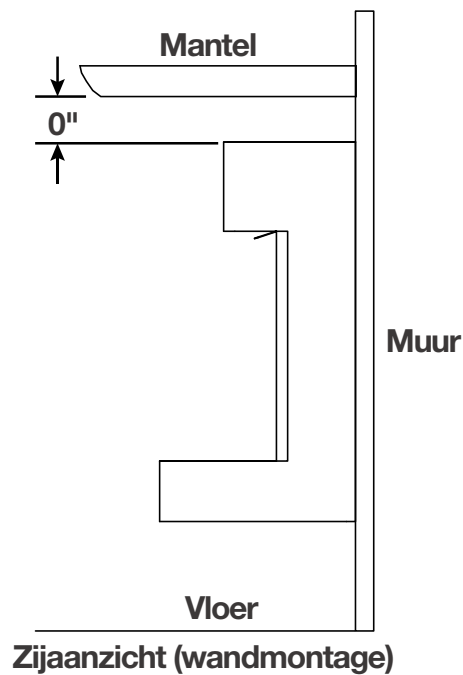
## 2.2 minimale afstand tot brandbare stoffen

Afstand tot brandbare stoffen	
Tussen brandbare stof en bovenzijde	0 cm
Tussen brandbare stof en onderzijde	
Tussen brandbare stof en zijkanten	
Tussen brandbare stof en achterzijde	

## 2.3 minimale afstand tot de mantel

### WAARSCHUWING

- Als u verf of lak gebruikt om de mantel af te werken, moet deze hittebestendig zijn om verkleuring te voorkomen.



## 2.4 het apparaat aan de muur bevestigen (wandmontage)

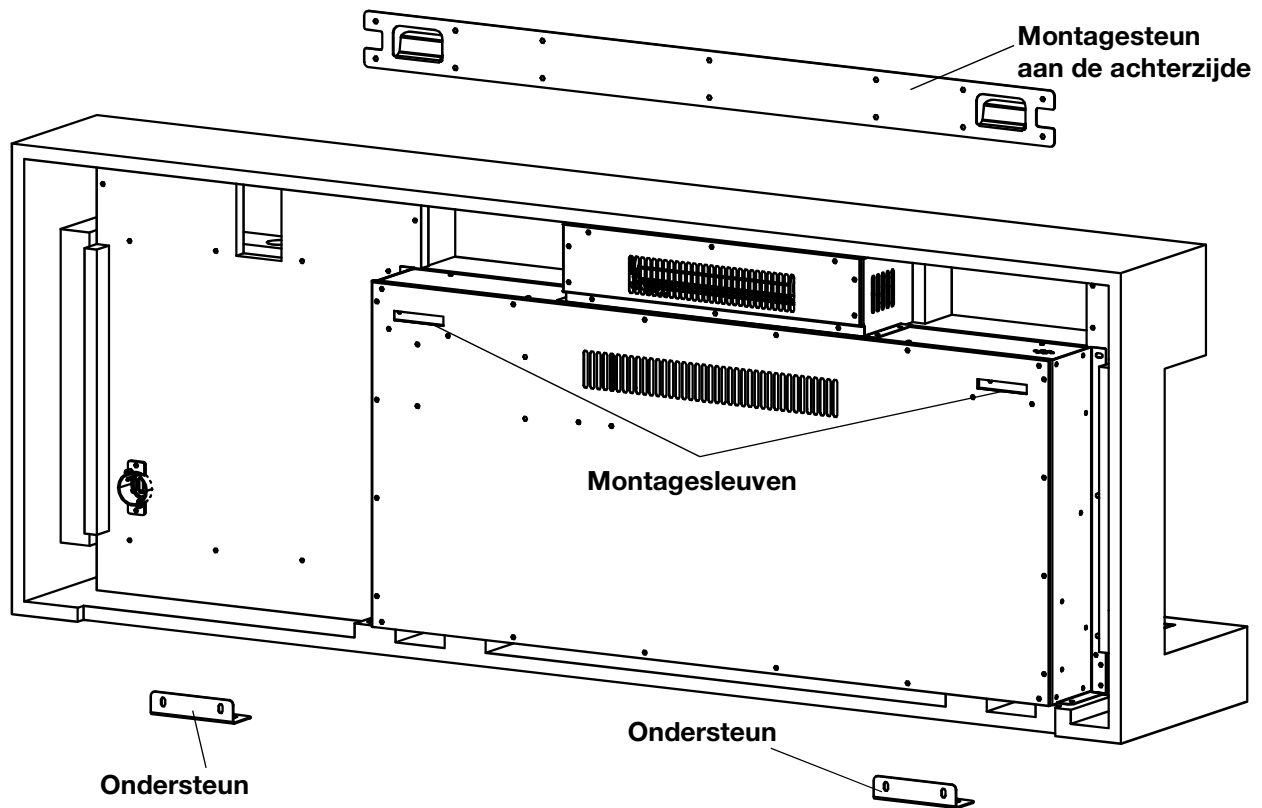
### ! WAARSCHUWING

- Raadpleeg uw plaatselijke bouwbedrijf voordat u het apparaat installeert. Het apparaat moet in overeenstemming met de lokale bouwverordeningen worden geïnstalleerd.
- Het apparaat moet worden geïnstalleerd op een niet-vochtgevoelige locatie.
- Het apparaat moet worden geïnstalleerd op een afstand van minstens 91 cm (36 inch) van brandbare materialen, zoals gordijnen, meubels, beddengoed, papier, etc.

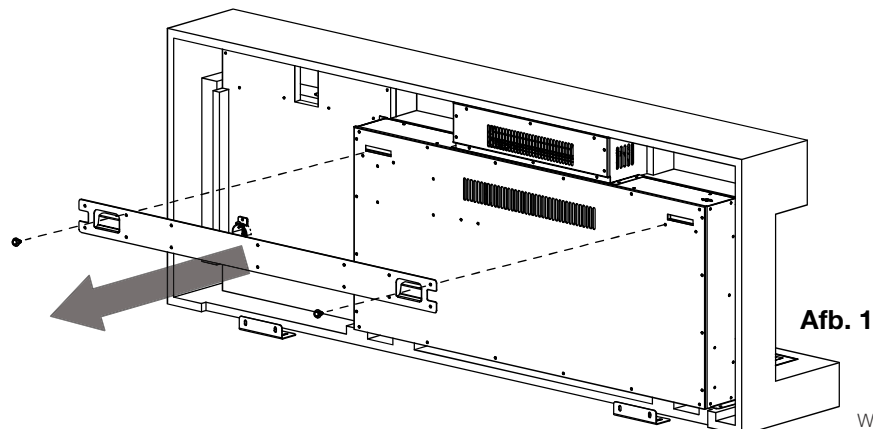
#### opmerking:

Het wordt sterk aanbevolen om dit apparaat met twee personen te installeren.

### apparaatoverzicht

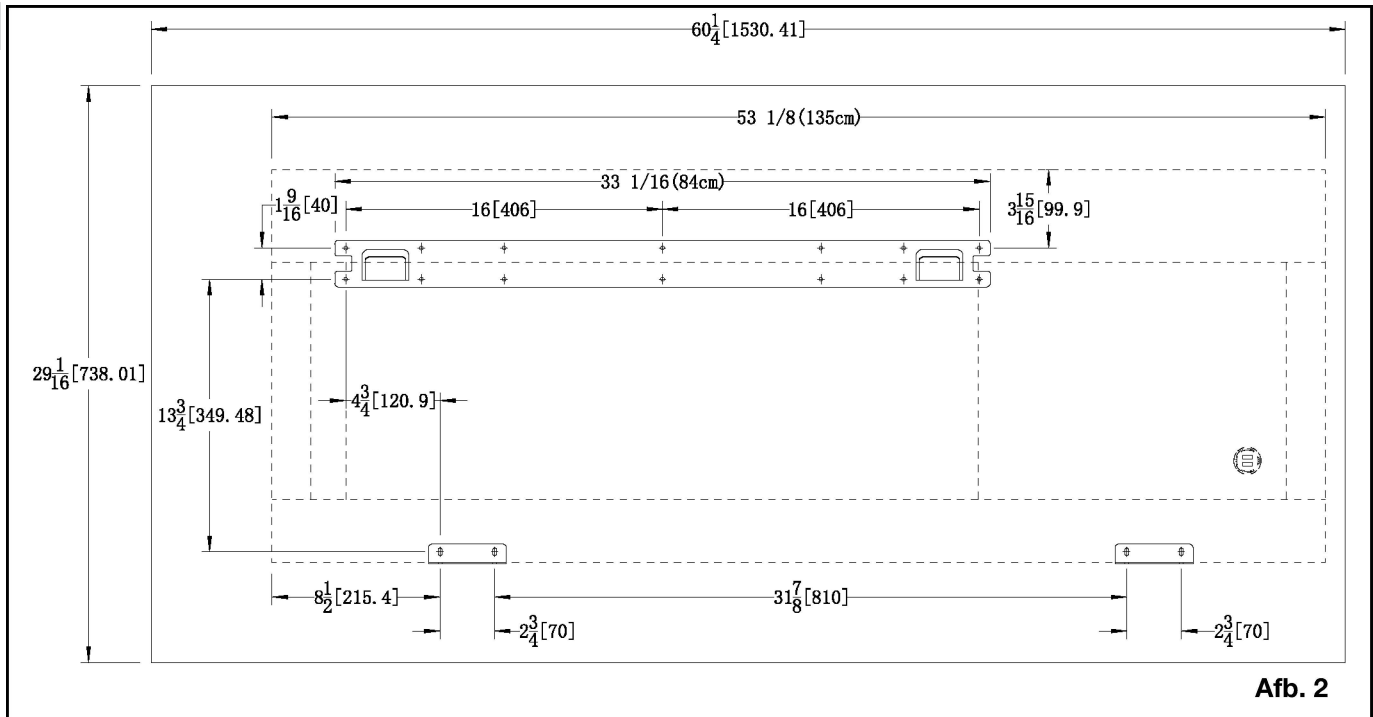


1. Houd het apparaat met zijn tweeën tegen de muur om de definitieve locatie te bepalen.
2. Plaats het apparaat op een zacht, niet-schurend oppervlak. Verwijder de steun aan de achterzijde van het apparaat door de twee schroeven te verwijderen (**afb. 1**).



# installeren

NL



3. Gebruik de montagesjabloon voor wandmontage (**afb. 2**), markeer de locatie van de steun aan de achterzijde en die van de ondersteun op de muur.

4. Bevestig de steun aan de achterzijde met 14 schroeven (meegeleverd) aan de muur.  **A x14**

**opmerking:**

De haken op de steun aan de achterzijde MOETEN naar boven gericht en waterpas zijn.

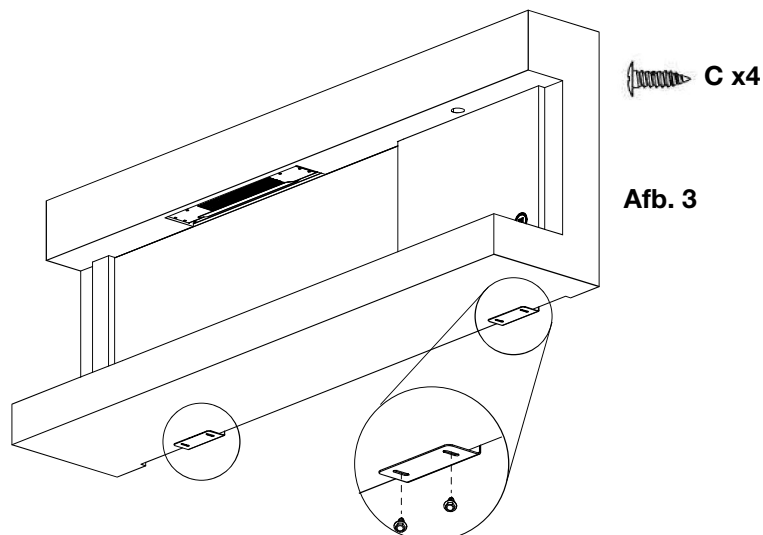
**opmerking:**

We raden u met klem aan om de steun aan de achterzijde zo mogelijk in de muurbalken te schroeven. Als de muurbalken niet kunnen worden gebruikt, moet u ervoor zorgen dat kunststof muurpluggen (meegeleverd) worden gebruikt om de steun aan de muur te bevestigen en dat de steun goed vast zit.

5. Bevestig de ondersteun met 4 schroeven (meegeleverd) aan de muur.  **A x4**

6. Til het apparaat op tot de twee montagesleuven over de haken op de muursteun aan de achterzijde vallen. Schuif het apparaat omlaag totdat het stevig vastzit.

7. Bevestig het apparaat aan de ondersteunen met vier schroeven (meegeleverd) (**afb. 3**).









## ! WAARSCHUWING

- Zorg dat de stroomonderbrekers in de woning zijn ingeschakeld. Wanneer u het apparaat voor het eerst op een voedingsbron aansluit, piept het apparaat en gaat vervolgens uit totdat het wordt ingeschakeld.

### 3.1 het bedieningspaneel

Het bedieningspaneel bevindt zich aan de rechterkant van het apparaat.

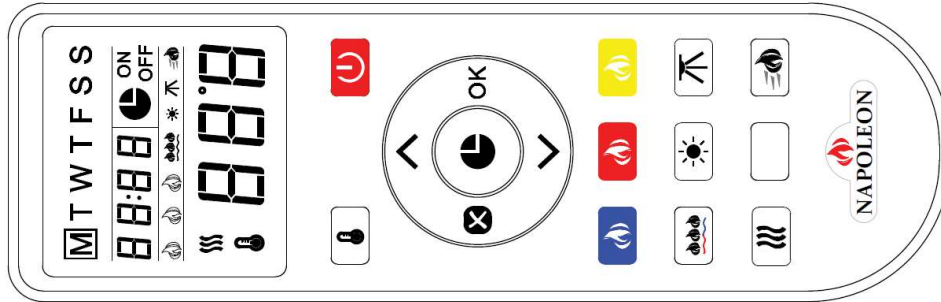
<b>Zijaccent Lichtregeling</b>		Hiermee schakelt u het apparaat aan/uit.
<b>Regeling vlamverlichting</b>		Hiermee regelt u de zijaccentverlichting.  <b>Standen:</b> d8 - Koel wit en warm wit, beide 100% helderheid d7 - Koel wit en warm wit, beide 75% helderheid d6 - Koel wit en warm wit, beide 50% helderheid d5 - Koel wit en warm wit, beide 25% helderheid d4 - Warm wit met 100% helderheid d3 - Warm wit met 50% helderheid d2 - Koel wit met 100% helderheid d1 - Koel wit met 50% helderheid d0 - Zijaccentverlichting uit
<b>°F/°C-schakelaar</b>		Hiermee regelt u de vlam.  <b>8 standen:</b> F0 - Vlam uit F1 - Oranje vlam F2 - Gele vlam F3 - Blauwe vlam F4 - Gele/oranje vlam F5 - Oranje/blauwe vlam F6 - Gele/blauwe vlam F7 - Gele/oranje/blauwe vlam
<b>Verwarmingsregeling</b>		Verandert de temperatuureenheid van Fahrenheit naar Celsius en omgekeerd. Houd de vlamknop 5 seconden ingedrukt.
<b>Verwarmingsvergrendeling</b>		Hiermee schakelt u de verwarming en de ventilator aan/uit.  <b>4 standen:</b> H0 - Verwarming en ventilator uit bL - Ventilator aan H1 - Lage warmte H2 - Hoge warmte
<b>Verrouillage du chauffage</b>		LO - Verwarmingsknop kan worden vergrendeld of ontgrendeld door de verwarmingsknop 5 seconden ingedrukt te houden.













# bedieningsinstructies

NL

## 3.2 bediening met de afstandsbediening



<b>Aan/uit</b>		Hiermee schakelt u het apparaat aan/uit.
<b>Blauwe vlam</b>		Hiermee regelt u de helderheid van de vlam.
<b>Oranje vlam</b>		<b>Standen:</b> F4 - Helderste vlam F3 - Heldere vlam F2 - Medium vlam F1 - Kleine vlam F0 - Vlam uit
<b>Gele vlam</b>		
<b>Verwarming</b>		Hiermee schakelt u de verwarming en de ventilator aan/uit. <b>Standen:</b> H0 - Verwarming en ventilator uit bL - Ventilator aan H1 - Lage warmte H2 - Hoge warmte
<b>Vlamsnelheid</b>		Hiermee regelt u de snelheid van de vlam. <b>Standen:</b> 01 - Laagste snelheid 02 03 04 05 - Hoogste snelheid
<b>Regeling zijaccentverlichting</b>		Hiermee regelt u de zijaccentverlichting. <b>Standen:</b> d8 - Koel wit en warm wit, beide 100% helderheid d7 - Koel wit en warm wit, beide 75% helderheid d6 - Koel wit en warm wit, beide 50% helderheid d5 - Koel wit en warm wit, beide 25% helderheid d4 - Warm wit met 100% helderheid d3 - Warm wit met 50% helderheid d2 - Koel wit met 100% helderheid d1 - Koel wit met 50% helderheid d0 - Zijaccentverlichting uit

<b>Kleur emberbed</b>		<p>Hiermee regelt u de verlichting van de embers.</p> <p><b>Standen:</b>          L0 - Emberbedverlichting uit          L1 - Wit          L2 - Blauw          L3 - Groen          L4 - Rood          L5 - Geel          L6 - Paars          L7 - Rouleert automatisch wit, blauw, groen, rood, geel en paars.  <b>(OPMERKING: Het duurt 8,5 seconden om van kleur te wisselen.)</b>          L8 - Vergrendel de gewenste kleur</p>
<b>Helderheid emberbed</b>		<p>Hiermee regelt u de helderheid van de emberbedverlichting.</p> <p><b>Standen:</b>          b5 - Geleidelijk helderder maken van b1 tot b4          b4 - Helderst          b3 - Helder          b2 - Medium          b1 - Laag</p>
<b>Temperatuur-regelaar</b>		<p>Hiermee regelt u de temperatuur.</p> <p><b>Standen:</b>          18 °C [64 °F]          19 °C [66 °F]          20 °C [68 °F]          21 °C [70 °F]          22 °C [72 °F]          23 °C [74 °F]          24 °C [76 °F]          25 °C [78 °F]          26 °C [80 °F]          27 °C [82 °F]          en UIT</p> <p><b>OPMERKING:</b> Verandert de temperatuureenheid van Fahrenheit naar Celsius en omgekeerd. Houd de temperatuurknop 5 seconden ingedrukt.</p>
<b>USB-oplader</b>		<p><b>Telefoon opladen:</b> Rode indicator</p> <p><b>Telefoon opgeladen:</b> Groene indicator</p> <p><b>OPMERKING:</b> Dit is slechts een indicatie van hoeveel uw telefoon is opgeladen. Controleer de telefoon om te zien hoeveel hij is opgeladen.</p> <p>Zie het hoofdstuk 'functies' voor meer informatie over de USB-oplader.</p>





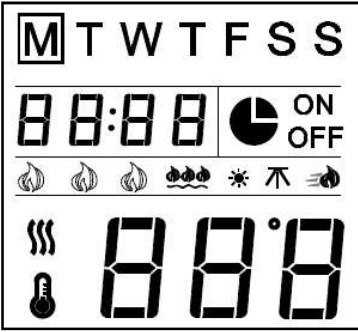
**opmerking:**

Knoppen zonder iconen zijn te beschouwen als knoppen zonder functie.

# bedieningsinstructies

NL

## 3.3 timerinstellingen op de afstandsbediening

 <b>Timer:</b> Geeft de huidige dag, tijd en week weer. Druk hierop om de timerinstellingen in te voeren of te bevestigen.		
<b>OK</b> <b>Instellingen:</b> Druk hierop om naar de volgende stap te gaan (gebruik met de timerknop). Druk hierop om de weektimer te bevestigen.		
 <b>Terug:</b> Druk hierop om de timerinstellingen te wissen. Druk hierop om terug te keren naar de vorige stap (gebruik met de instellingenknop).		
 <b>Omhoog en omlaag:</b> Gebruik met de instellingenknop.		
<b>Lcd-scherm</b>		
<b>Dag van de week:</b> _____ ma di wo do vr za zo		<b>OPMERKING:</b> De functies kunnen alleen worden gewijzigd als de bijbehorende letters of cijfers knipperen. <b>OPMERKING:</b> Kalibreer de timer op de huidige tijd vóór de wekelijkse instellingen.
<b>Tijdsweergave:</b> _____		
Huidige tijd/timer van 00:00 tot 24:00 <b>OPMERKING: 00-12:00 is AM / 13:00 - 24:00 is PM</b>		

### 3.3.1 huidige dag en tijd instellen


1. Druk eenmaal op . Wanneer 'M' (maandag) gaat knipperen, selecteert  u met de huidige dag. Druk op OK om de instelling op te slaan.
2. Wanneer het uur gaat knippen, selecteert  u met het huidige uur. Druk op OK om de instelling op te slaan.
3. Wanneer de minuten gaan knipperen, selecteert  u met de huidige minuten. Druk op OK om de instelling op te slaan.

### 3.3.2 AAN/UIT-tijd en -temperatuur op een wekelijkse cyclus instellen

1. Druk eenmaal op . Wanneer 'M' (maandag) gaat knipperen, selecteert  u met de huidige dag. Druk op OK om de instelling op te slaan.

#### opmerking:

De timer kan alleen worden ingesteld in stappen van 30 minuten (bijv. 00:00 - 00:30, 00:30 - 01:00 enz.).

2. Wanneer '--:--' gaat knipperen, selecteert  u met het gewenste uur en de gewenste minuten waarop de verwarming moet inschakelen. Druk op OK om de instelling op te slaan. U kunt altijd op  drukken om de cijfers te wissen en de 'AAN'-timer uit te schakelen.

#### opmerking:

Als de temperatuur al eerder is ingesteld, wordt die waarde weergegeven in plaats van '18'.

3. Wanneer '18' gaat knipperen, selecteert  u met de gewenste temperatuur voor maandag.



4. Wanneer '--:--' gaat knipperen, selecteert  u met het gewenste uur en de gewenste minuten waarop de verwarming moet uitschakelen. Druk op OK om de instelling op te slaan. U kunt altijd op  drukken om de cijfers te wissen en de 'UIT'-timer uit te schakelen.
5. Herhaal stap 1 t/m 4 om de 'AAN/UIT'-tijd en temperatuur voor woensdag, donderdag, vrijdag, zaterdag en zondag in te stellen.
6. Druk op OK om het programmeren te voltooien waarbij u de afstandsbediening op de ontvanger in het midden van het apparaat richt. Het apparaat 'piept' één keer om te bevestigen dat het programmeren is geslaagd.

### 3.3.3 waarschuwing voor open raam

Als de kamertemperatuur binnen drie minuten tien graden daalt, gaat het apparaat ervan uit dat er vlakbij een raam openstaat. Om energie te besparen, schakelt de verwarming automatisch over van hoge warmte naar lage warmte. Als de verwarming al op lage warmte staat, wordt het apparaat volledig uitgeschakeld.

Wanneer u van hoge warmte naar lage warmte overschakelt, piept het apparaat drie keer en knippert '88' drie keer op het digitale display, waarna de huidige verwarmingsstatus wordt weergegeven.

Wanneer u overschakelt van lage warmte naar uit, piept het apparaat drie keer en blijft '88' op het digitale display knipperen.

Raadpleeg het hoofdstuk 'bediening met de afstandsbediening' om de verwarmingsfunctie te resetten.

## 4.0 afwerking

NL

### ! WAARSCHUWING

- De elektrische voeding moet volledig zijn aangelegd voordat de afwerking wordt voltooid, om herbouw te vermijden.
- Ventilatie-roosters en luchtopeningen mogen onder geen beding worden afgedekt.

#### 4.1 plaatsen van de imitatie hout embers

1. Strooi de imitatie hout embers voorzichtig op de vlakke emberbed glasplaat (**Afb. 1**).
2. Verdeel de imitatie hout embers gelijkmatig over de gehele breedte.



Afb. 1

#### 4.2 installeren van de 6-dlge imitatie houtset

1. Plaats de imitatie houtset voorzichtig op de emberbed glasplaat (**afb. 2**).
2. Gebruik de imitatie hout embers (zie het hoofdstuk 'plaatsen van de imitatie hout embers') om de ruimte tussen de imitatie hout stammen op te vullen (**afb. 2**). Dit verbetert de algehele look van het apparaat.



Afb. 2 (Aanbevolen plaatsing)

### **WAARSCHUWING**

- Nalaten de onderdelen in overeenstemming met deze handleiding te plaatsen of uitsluitend onderdelen te gebruiken die speciaal voor dit apparaat zijn goedgekeurd, kan materiële schade of persoonlijk letsel tot gevolg hebben.

Neem contact op met uw dealer voor vragen over prijzen en ons beleid wat betreft vervangende onderdelen. Normaal gesproken kunnen alle onderdelen via uw erkende dealer/distributeur worden besteld.

#### **Voor toekenning van een claim voor vervangende onderdelen onder garantie moet een fotokopie van de originele factuur worden overlegd.**

Vermeld bij het bestellen van vervangingsonderdelen altijd de volgende informatie:

- Model en serienummer van het apparaat
- Installatiedatum van het apparaat
- Onderdeelnummer
- Omschrijving van het onderdeel
- Afwerking

**Onderdelen, onderdeelnummers en verkrijgbaarheid kunnen zonder kennisgeving worden gewijzigd.**

**Onderdelen waarvan is vastgesteld dat ze op voorraad zijn, worden voor de meeste bestemmingen binnen 2 tot 5 werkdagen geleverd.**

**Onderdelen die niet op voorraad zijn, worden in de meeste gevallen binnen 2 tot 4 weken geleverd.**

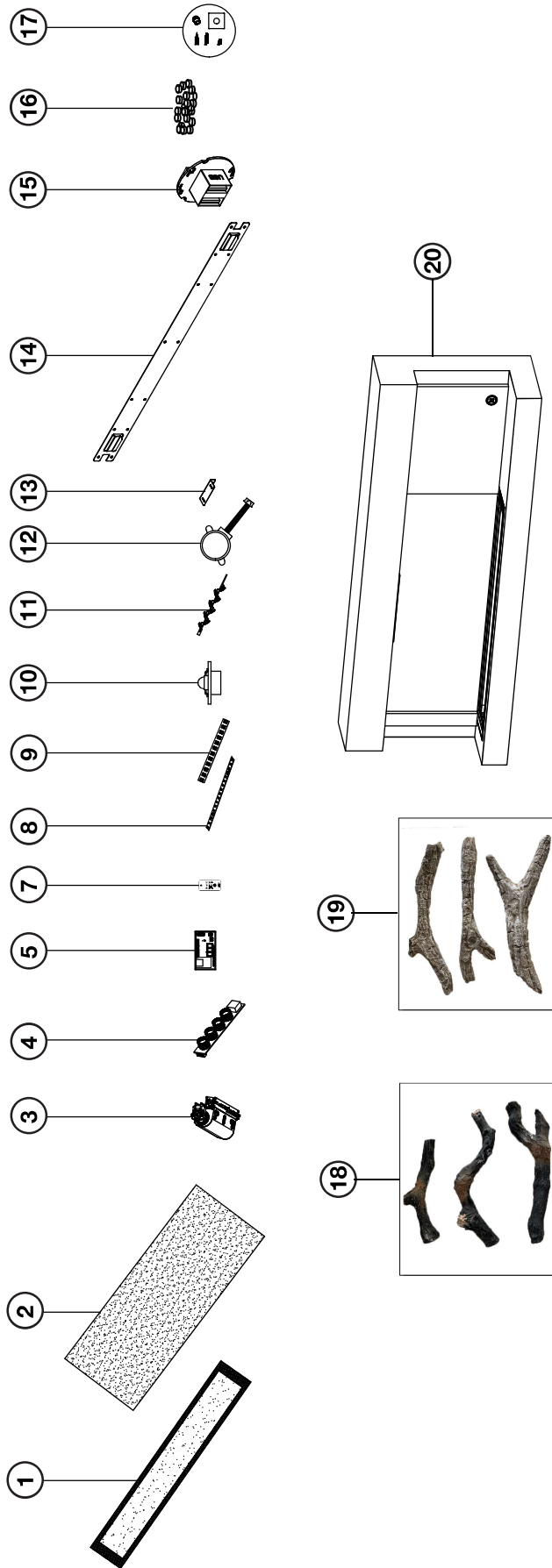
**Onderdelen die worden aangeduid als 'SO' (special order) zijn speciale bestellingen en kunnen een levertijd tot 90 dagen hebben.**

#### **opmerking:**

Wees voorzichtig bij het verwijderen en afvoeren van gebroken glas of beschadigde onderdelen. Verwijder gebroken glas uit het apparaat met een stofzuiger voordat u het apparaat gebruikt.

# vervangingsonderdelen

## 5.1 overzicht



Items kunnen anders zijn dan afgebeeld.

Referentiernr.	Onderdeelnr.	Omschrijving	Op voorraad
1	W300-0291-SER	Zwarte matglazen basis	Ja
2	W497-0053-SER	Kunststof acrylpaneel	Ja
3	W010-4760-SER	Verwarmings- en blowersysteem	
4	W190-0143-SER	Aanraakscherm	Ja
5	W190-0186-SER	Hoofdprintplaatregeling	
6*	W690-0021	Thermostaat	Ja
7	W190-0187-SER	Afstandsbediening	
8	W405-0069-SER	Led-lamp sintelverlichting	Ja
9	W405-0068-SER	Led-lamp vlamverlichting	Ja
10	W405-0075-SER	Led-lamp zijaccent	Ja
11	W527-0032-SER	Reflectorspil	Ja
12	W435-0090-SER	Stappenmotor	Ja
13	W080-1916-SER	Muursteun, achterzijde onder	Ja
14	W080-1917-SER	Muursteun, achterzijde	Ja
15	W190-0145-SER	USB-oplader	Ja
16	W497-1627-SER	Imitatie hout embers	Ja
17	W370-0150-SER	Montagekit	Ja
18	W135-1014-SER	Imitatie hout, wijnstok (3x)	Ja
19	W135-1015-SER	Imitatie hout, drijf hout (3x)	Ja
20	NEFS32-5320BW	Sierrand	Ja
21*	W005-0023-SER	VK-adapter	
22*	W005-0024-SER	Zwitserse adapter	

\* Onderdelen niet afgebeeld.

## ! WAARSCHUWING

- Schakel het apparaat volledig uit en laat het afkoelen voordat u onderhoud uitvoert. Dit elektrische apparaat mag alleen worden onderhouden en gerepareerd door een erkende onderhoudsmonteur.

symptoom	probleem	oplossing
Het apparaat gaat niet aan als de aan/uit-knop/schakelaar in de stand 'aan' wordt gezet.	Het apparaat is niet aangesloten op een stopcontact.	Controleer of de stekker in het stopcontact zit.
	Het apparaat is oververhit geraakt en de thermische beveiliging is geactiveerd.	Haal de stekker uit het stopcontact of schakel de stroomonderbreker uit, laat het apparaat 15 minuten afkoelen en steek vervolgens de stekker weer in het stopcontact of schakel de stroomonderbreker in.
	Probleem met de hoofdprintplaat.	Controleer de printplaat en vervang deze zo nodig.
Het apparaat schakelt uit en gaat niet meer aan.	De stroomonderbreker van de woning is geactiveerd.	Reset de stroomonderbreker.
	De zekering van het apparaat is doorgebrand.	Vervang de zekering.
	Het apparaat is oververhit geraakt en de thermische beveiliging is geactiveerd.	Haal de stekker uit het stopcontact of schakel de stroomonderbreker uit, laat het apparaat 15 minuten afkoelen en reset thermische beveiliging. Steek vervolgens de stekker weer in het stopcontact of schakel de stroomonderbreker in.
Het apparaat heeft de standaardinstellingen hersteld.	Stroomstoring.	Programmeer het apparaat opnieuw op de oorspronkelijke instellingen (niet van toepassing op alle apparaten).
De afstandsbediening werkt niet.	De batterijen zijn (bijna) leeg.	Vervang de batterijen in de afstandsbediening.
	Ontvanger voor de afstandsbediening werkt niet.	Zorg dat de ontvanger voor de afstandsbediening niet geblokkeerd is. Vervang het bedieningspaneel.
Er komt geen warme lucht uit het apparaat.	Verwarmingsstand is niet geselecteerd.	Zie het hoofdstuk 'bedieningsinstructies'.
	Verwarming is uitgeschakeld.	Zie het hoofdstuk 'bedieningsinstructies'.
	De kamertemperatuur is hoger dan de apparaatinstelling (indien ingesteld op kamertemperatuur).	Reset de temperatuurinstelling.
	Het apparaat is oververhit geraakt en de thermische beveiliging is geactiveerd.	Haal de stekker uit het stopcontact of schakel de stroomonderbreker uit. Laat het apparaat 15 minuten afkoelen.
	Probleem met de verwarming.	Controleer de ventilator en de verwarming en vervang ze zo nodig.
De verwarming schakelt automatisch uit.	De kamer is te warm.	De verwarming is uitgerust met een ingebouwde thermostaat zodat deze automatisch wordt uitgeschakeld zodra de vooraf ingestelde temperatuur is bereikt. De verwarming wordt ook automatisch ingeschakeld als de kamertemperatuur onder de vooraf ingestelde temperatuur daalt.
Zwakke of geen vlam.	Helderheid van de vlam niet geselecteerd.	Zie het hoofdstuk 'bedieningsinstructies'.
	Probleem met de led-lampen van de vlam.	Controleer de led-lamp en vervang deze zo nodig.
	Probleem met de hoofdprintplaat.	Controleer de hoofdprintplaat en vervang deze zo nodig.
Vlam beweegt niet.	Motor is vastgelopen/defect.	Schakel het apparaat in/uit. Raadpleeg een dealer als het probleem zich blijft voordoen.

# probleemoplossing

NL

Emberbed licht niet op of dimt niet.	De helderheid is niet geselecteerd.	Zie het hoofdstuk 'bedieningsinstructies'.
	Probleem met de led-lamp van het emberbed.	Controleer de leds onder het emberbed en vervang ze zo nodig.
	Probleem met de hoofdprintplaat.	Controleer de hoofdprintplaat en vervang deze zo nodig.
Led knippert 'OH'.	Het apparaat is oververhit geraakt en de thermische beveiliging is geactiveerd.	Haal de stekker uit het stopcontact of schakel de stroomonderbreker uit. Laat het apparaat 15 minuten afkoelen en steek vervolgens de stekker weer in het stopcontact of schakel de stroomonderbreker in. Raadpleeg uw dealer als het probleem zich blijft voordoen.

Elektrische apparaten van **Napoleon** worden vervaardigd volgens de strikte wereldwijd erkende norm ISO 9001 : 2015 voor kwaliteitsmanagementsystemen.

**Napoleon**-producten zijn ontworpen met superieure componenten en materialen en worden samengesteld door getrainde vakmensen die hun werk met trots uitvoeren. Na montage en voordat het apparaat wordt verpakt, laten we het complete apparaat grondig door een erkende en geautoriseerde installateur, servicedienst of leverancier inspecteren om te verzekeren dat u als klant het kwaliteitsproduct ontvangt dat u van **Napoleon** verwacht.

### Beperkte garantie van Napoleon Electric Appliance

Elektrische componenten en wearables worden gedekt en **Napoleon** levert tijdens de eerste 2 jaar van de beperkte garantie gratis vervangende onderdelen. Dit omvat: ventilator/verwarmingen, motoren, schakelaars, nylon lageronderdelen, afstandsbedieningen en led-lampen.\*

Gloeilampen en zekeringen vallen NIET onder de garantie.

Arbeidskosten voor reparaties onder deze garantie worden niet gedekt.

\* De bouw van modellen varieert. De garantie is alleen van toepassing op componenten die met uw specifieke apparaat

### Voorwaarden en beperkingen

**Napoleons** garantie op productiefouten geldt alleen voor de oorspronkelijke koper. U hoeft uw garantie niet te registreren. Bij een garantieclaim kunt u, samen met het model- en serienummer, gewoon uw aankoopbewijs verstrekken. Op voorwaarde dat de aankoop is gedaan via een erkende **Napoleon**-dealer zijn de volgende voorwaarden en beperkingen op uw apparaat van toepassing:

De garantiedekking begint op de datum van de oorspronkelijke installatie.

Deze fabrieksgarantie is niet overdraagbaar en mag onder geen beding door een van onze vertegenwoordigers worden verlengd.

De installatie moet worden uitgevoerd volgens de bij het product geleverde installatie-instructies en alle lokale en nationale bouw- en brandverordeningen.

Deze beperkte garantie dekt geen schade ten gevolge van verkeerd gebruik, gebrek aan onderhoud, ongevallen, wijzigingen, misbruik of verwaarlozing. De garantie is nietig wanneer er onderdelen van andere fabrikanten zijn geïnstalleerd. Verder dekt deze beperkte garantie geen krassen, deuken, corrosie of verkleuring die worden veroorzaakt door overmatige hitte of schurende en chemische reinigingsmiddelen, noch afbrokkeling van geëmailleerde onderdelen of mechanische schade aan PHAZER™-houtblokken.

Deze garantie is alleen tijdens de eerste twee jaar geldig voor reparatie of vervanging van garantieonderdelen die materiaal- of fabricagefouten vertonen, op voorwaarde dat het product volgens de bedieningsinstructies en onder normale omstandigheden is gebruikt.

**Napoleon** is niet verantwoordelijk voor installatie-, arbeids- of andere kosten voor het opnieuw installeren van een garantieonderdeel; zulke kosten vallen niet onder deze garantie. Onverminderd de bepalingen in de beperkte garantie is **Napoleon** onder deze garantie zoals hierboven beschreven, niet aansprakelijk voor incidentele, gevolgschade of indirecte schade.

Deze garantie beschrijft de verplichtingen en aansprakelijkheid van **Napoleon** betreffende het elektrische apparaat van **Napoleon** en alle andere expliciete of impliciete garanties met betrekking tot dit product, de onderdelen of accessoires worden uitgesloten.

**Napoleon** aanvaardt geen andere aansprakelijkheden met betrekking tot de verkoop van dit product, noch machtigt **Napoleon** derden om dergelijke aansprakelijkheid namens het bedrijf te aanvaarden.

**Napoleon** is niet aansprakelijk voor schade aan het apparaat, de messing rand of andere onderdelen ten gevolge van water, het weer, langdurig vocht, condensatie, schadelijke chemicaliën of reinigingsmiddelen.

**Napoleon** behoudt zich het recht voor om een product of onderdeel door zijn vertegenwoordiger te laten controleren voordat een garantieclaim wordt erkend.

Voor onderdelen die volgens de beperkte garantiepolis worden vervangen, kan slechts één claim worden ingediend.

Alle onderdelen die onder de garantie worden vervangen, worden voor een periode van 90 dagen vanaf de installatiedatum gegarandeerd.

De fabrikant kan eisen dat defecte onderdelen of producten worden geretourneerd of dat er digitale foto's worden verstrekt ter ondersteuning van de claim. Geretourneerde producten moeten prepaid naar de fabrikant worden verzonden voor beoordeling. Als een product defect blijkt te zijn, zal de fabrikant het betreffende defect repareren of vervangen.

Voordat u uw apparaat of defecte onderdelen verzendt, moet uw dealer een autorisatienummer aanvragen. Alle goederen die zonder autorisatie worden verzonden, worden geweigerd en teruggestuurd naar de afzender.

Verzendkosten worden niet door deze garantie gedekt.

Voor aanvragen van garantieservice bij een dealer kunnen extra servicekosten in rekening worden gebracht.

Vanwege continue productverbeteringen kunnen alle specificaties en ontwerpen kunnen zonder voorafgaande kennisgeving worden gewijzigd. **Napoleon** is een gedeponeerd handelsmerk van Wolf Steel Ltd.

# NAPOLEON BIEDT AL MEER DAN 40 JAAR PRODUCTEN VOOR WOONCOMFORT



**WEEE:**



**Betekenis van doorgekruiste vuilniscontainer:**

**Gooi elektrische apparaten niet weg bij het ongesorteerd huishoudelijk afval. Breng ze naar de speciale inzamelpunten. Vraag bij de gemeente na welke inzamelpunten er zijn. Als elektrische apparaten op een vuilnisbelt of stortplaats belanden, kunnen gevaarlijke stoffen in het grondwater lekken en in de voedselketen terechtkomen, en dat is schadelijk voor uw gezondheid en welzijn.**

**Als u oude apparaten door nieuwe vervangt, is de dealer wettelijk verplicht om uw oude apparaat gratis in te nemen.**



7200 Route Transcanadienne, Montréal, Québec H4T 1A3, Canada  
24 Napoleon Road, Barrie, Ontario L4M 0G8, Canada  
214 Bayview Drive, Barrie, Ontario L4N 4Y8, Canada  
103 Miller Drive, Crittenden, Kentucky 41030, VS  
De Riemsdijk 22, 4004 LC Tiel, Nederland  
napoleon.com