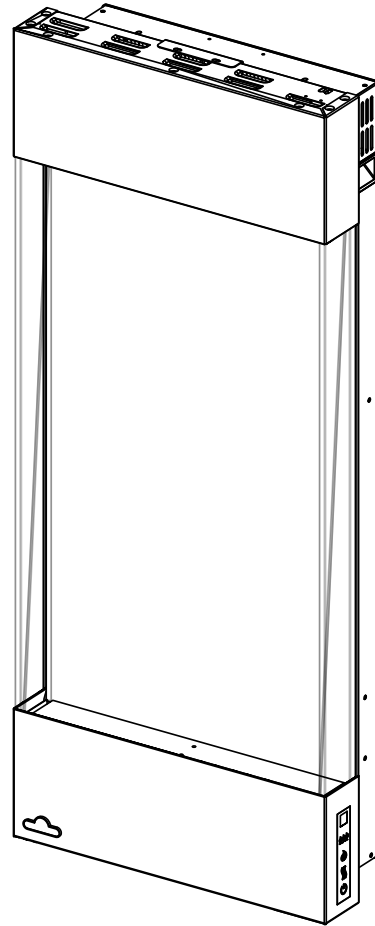




# INSTALLATION AND OPERATION MANUAL

## Allure™ Vertical Series

(NEFVC38H-EU Illustrated)



### SAFETY INFORMATION

#### ⚠ WARNING

#### FIRE OR EXPLOSION HAZARD

If the information in these instructions are not followed exactly, a fire or explosion may result causing property damage, personal injury, or loss of life.

- Do not store or use gasoline or other flammable vapors and liquids in the vicinity of this or any other appliance.

#### INSTALLER:

Leave this manual with the appliance

#### CONSUMER:

Retain this manual for future reference

**FOR INDOOR USE ONLY**



APPLY SERIAL NUMBER LABEL FROM CARTON



Wolf Steel Europe BV  
De Riemsdijk 22, 4004 LC Tiel, The Netherlands

## WARNING

- **If equipped with a heater, this appliance can be hot when operated and can cause severe burns if contacted.**
- Do not operate appliance before reading and understanding operating instructions. Failure to operate appliance according to operating instructions could cause fire or injury.
- Do not install damaged, incomplete or substitute components.
- Do not burn wood or other materials in this appliance.
- All electric appliances have hot and arcing or sparking parts inside. Do not use it in areas where a gas line, paint or flammable liquids are present.
- Any safety screen or guard removed for servicing must be replaced prior to operating the appliance.
- It is imperative that the control compartments, circulating blower and its passageway in the appliance are kept clean. The appliance should be inspected before use and at least annually by a qualified service person. More frequent cleaning may be required due to excessive lint from carpeting, bedding material, etc. The appliance area must be kept clear and free from combustible materials, gasoline and other flammable vapors and liquids.
- Under no circumstances should this appliance be modified.
- Do not use this appliance if any part has been under water. Immediately call a qualified service technician to inspect the appliance and to replace any part of the control system which has been under water.
- If equipped with a glass door, do not operate the appliance with the glass door removed, cracked or broken. Replacement of the glass should be done by a licensed or qualified service person. Do not strike or slam shut the appliance glass door.
- Keep the packaging material out of reach of children and dispose of the material in a safe manner. As with all plastic bags, these are not toys and should be kept away from children and infants.
- Servicing should be done only while the appliance is disconnected from the power supply circuit.
- Always unplug appliance when not in use.
- Do not operate this appliance with a damaged cord or plug after the appliance malfunctions, has been dropped or damaged in any manner. Return appliance to authorized service facility for examination, electrical or mechanical adjustment, or repair.
- Do not use outdoors.
- When installing this appliance in a room where water is present, the installation must comply with codes recognizing the increased hazard of electrical shock and electrocution.


**note:**

This appliance is NOT suitable for installation in a bathroom.

- Do not run cord under carpeting. Do not cover cord with throw rugs, runners, or the like. Arrange cord away from traffic area and where it will not be tripped over.
- Connect to properly grounded outlets only.
- Do not insert or allow foreign objects to enter any ventilation or exhaust opening as this may cause an electric shock or fire, or damage the appliance.
- It is normal for your electric appliance to produce noise, especially when installed in a quiet space such as a bedroom.

 **WARNING**

- To prevent a possible fire, do not block air intakes or exhaust in any manner. Do not use on soft surfaces, like a carpet, where openings may become blocked.
- Always plug appliances directly into a wall outlet/receptacle. Never use an extension cord or relocatable power tap (outlet/power strip).
- These appliances are tested and listed for use only with the optional accessories listed in these instructions. Use of optional accessories not specifically tested for this appliance could void the warranty and/or result in a safety hazard.

 **WARNING:** This product can expose you to chemicals including lead and lead compounds, which are known to the State of California to cause cancer, and chemicals including BBP and DEHP, which are known to the State of California to cause birth defects or other reproductive harm. For more information, go to [www.P65Warnings.ca.gov](http://www.P65Warnings.ca.gov).

# table of contents

<b>1.0</b>	<b>general information</b>	<b>5</b>
1.1	dimensions	5
1.2	listing approvals	6
1.3	general instructions	6
1.4	unpacking and testing appliance	6
1.5	rating plate information	7
1.6	hardware list	7
<b>2.0</b>	<b>installation</b>	<b>8</b>
2.1	locating the appliance	8
2.2	minimum clearance to combustibles	9
2.3	minimum mantel clearances	9
2.4	installing the appliance onto the wall (wall mount)	10
2.5	installing the appliance into the wall (recessed)	13
<b>3.0</b>	<b>finishing</b>	<b>14</b>
3.1	dark crystal installation	14
3.2	door glass installation	15
3.3	door glass removal	16
<b>4.0</b>	<b>electrical information</b>	<b>17</b>
4.1	wiring diagram	17
4.2	hard-wiring installation	18
<b>5.0</b>	<b>operating instructions</b>	<b>19</b>
5.1	operating control panel	19
5.2	operating remote control	20
5.3	timer settings on remote control	21
5.3.1	set current day and time	21
5.3.2	set ON/OFF time and temperature on a weekly cycle	21
5.4	open window warning	22
<b>6.0</b>	<b>replacement parts</b>	<b>23</b>
6.1	NEFVC32H-EU overview	24
6.2	NEFVC38H-EU overview	25
<b>7.0</b>	<b>accessories</b>	<b>26</b>
<b>8.0</b>	<b>troubleshooting</b>	<b>27</b>
<b>9.0</b>	<b>warranty</b>	<b>28</b>

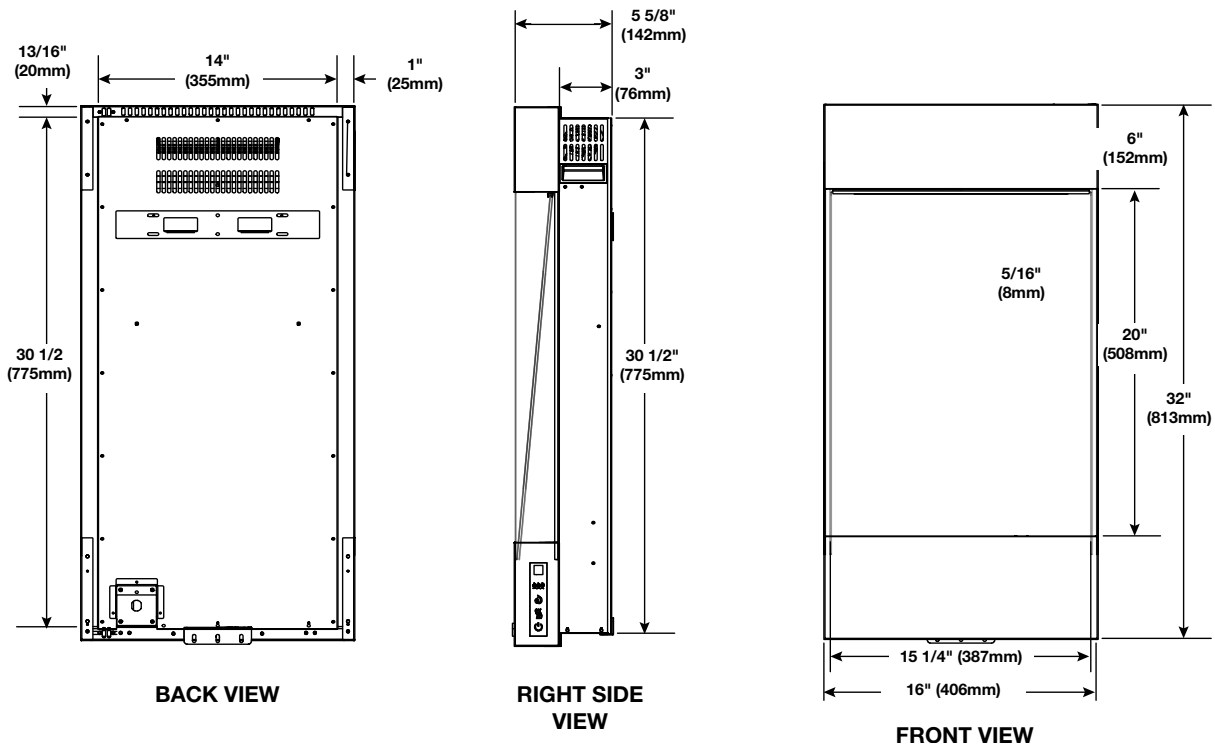
## note:

The information throughout this manual is believed to be correct at the time of printing. Wolf Steel Ltd. reserves the right to change or modify any information within this manual at any time without notice. Changes, other than editorial, are denoted by a vertical line in the margin.

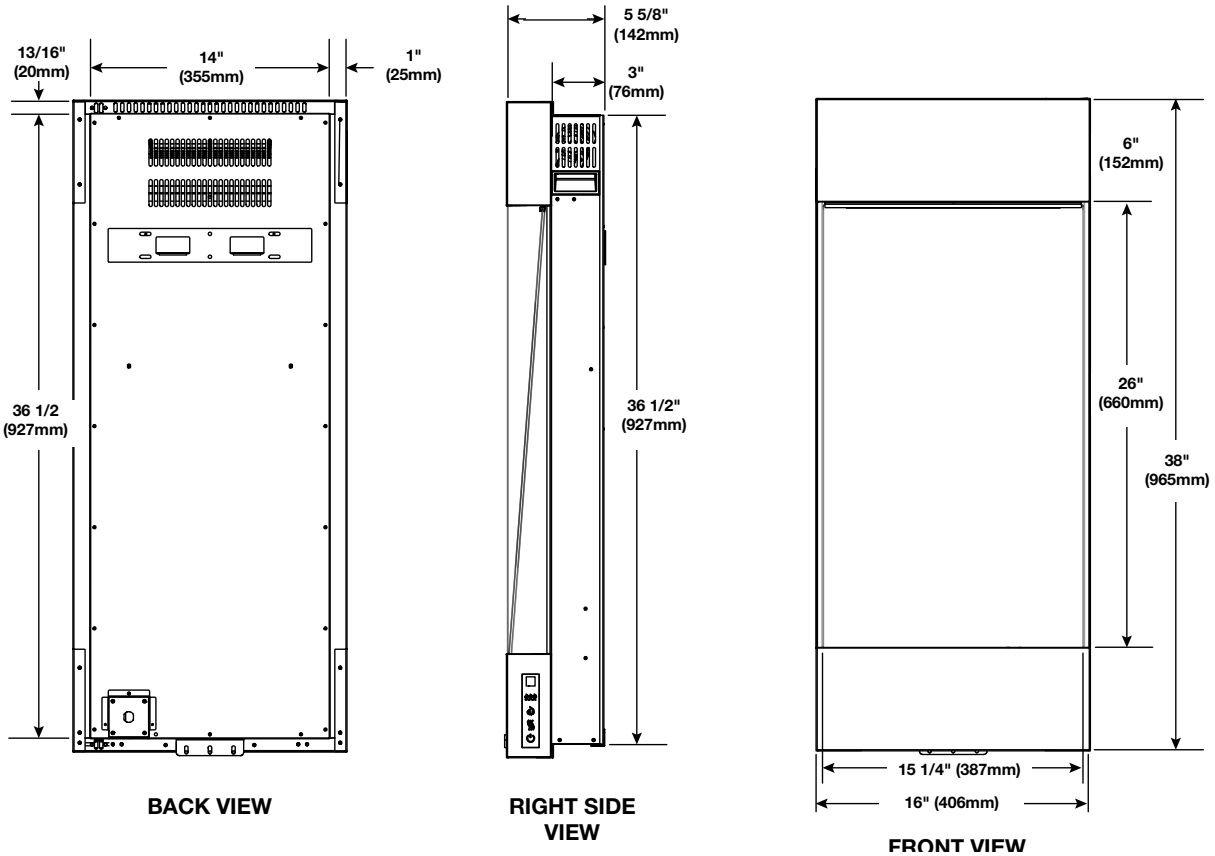


### 1.1 dimensions

#### NEFVC32H-EU Illustrated



#### NEFVC38H-EU Illustrated



# general information

## 1.2 listing approvals

Model Number	NEFVC32H-EU	NEFVC38H-EU
Description	32" Contemporary Vertical Electric Appliance	38" Contemporary Vertical Electric Appliance
Voltage	220-240V AC	
Watts	Max 1400W - 1600W	
Amps	15 AMP Grounded Circuit	
Appliance Width	16" (406mm)	
Appliance Height	32" (813mm)	38" (965mm)
Appliance Depth	5 5/8" (142mm)	
Net Weight	25lbs (11.3kg)	28.2lbs (12.8kg)
Gross Weight	33 lbs (15kg)	38.5lbs (17.5kg)

## 1.3 general instructions

- Prior to plugging your appliance into an electrical outlet, verify that the house circuit breakers for the outlet are on.
- The appliance may emit a slight, harmless odour when first used. This odour is normal and it is caused by the initial heating of internal appliance elements and will not occur again.
- If your appliance does not emit heat when called for, consult the "operation" section of this manual for further information.
- Do not route the power cord directly underneath the appliance.

As with most electronic devices, your new electric appliance has been designed to operate at temperatures between 5°C (41°F) and 35° C (95°F). During the colder winter months, allow the appliance to reach room temperature before turning it on.

## 1.4 unpacking and testing appliance

Carefully remove the appliance from the box and remove the support brackets. Prior to installing the appliance, remove all packaging material and test to make sure the appliance operates properly by plugging the power supply cord into a conveniently located 220-240V, 10 Amp minimum grounded outlet.









Batteries must be disposed of according to the local laws and regulations. Some batteries may be recycled, and may be accepted for disposal at your local recycling center. Check with your municipality for recycling instructions.

**1.5 rating plate information**

ELECTRIC FIREPLACE. SUITABLE FOR BEDROOM AND BED-SITTING ROOM INSTALLATION. SUITABLE FOR MOBILE HOME INSTALLATION.

VOLTAGE: 220-240 VAC  
 FREQUENCY: 50Hz  
 POWER: 1400 - 1600 W  
 DATE CODE: XXXXX

MODELS

NEFVC38H-EU                       NEFVC32H-EU

Manufacturer: Wolf Steel Ltd.  
 24 Napoleon Road,  
 Barrie, ON, L4M 0G8 Canada

Importer: Wolf Steel Europe BV  
 De Riemsdijk 22, 4004 LC Tiel,  
 The Netherlands

DESIGNED IN NORTH AMERICA  
 BY WOLF STEEL LTD.  
 MADE IN CHINA

SERIAL NUMBER: **NEFVC##000000**                      W385-2594

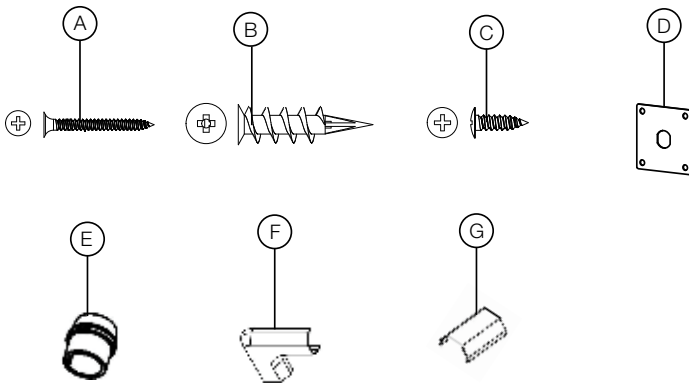
For rating plate location, see “label location” section.

This illustration is for reference only. Refer to the rating plate on the appliance for accurate information.

**note:**

The rating plate must remain with the appliance at all times. It must not be removed.

**1.6 hardware list**



	Description	Quantity
<b>A</b>	Wood Screws	6
<b>B</b>	Drywall Anchors	6
<b>C</b>	ST4x12 Metal Screws	8
<b>D</b>	Cover Plate	1
<b>E</b>	Strain Relief	1
<b>F</b>	Cord Corner	2
<b>G</b>	Cord Cover	2

## 2.0 installation

### WARNING

- Risk of fire! The power cord must not be pinched against a sharp edge. Secure cord to avoid tripping or snagging to reduce the risk of fire, electric shock, or personal injury. Do not run cord under carpeting. Do not cover cord with throw rugs, runners, or similar items. Arrange cord away from traffic areas and where it will not be tripped over.
- Risk of fire! To prevent a possible fire, do not block air intake or exhaust in any manner. Do not use on soft surfaces where openings may become blocked.
- Risk of fire! Do not blow or place insulation against the appliance.
- This electric appliance is tested and listed for use only with the approved optional accessories. Use of optional accessories not specifically tested for this electric appliance could void the warranty and/or result in a safety hazard.
- If the information in these instructions is not followed exactly, a fire or explosion may result causing property damage, personal injury, or death. Do not store or use gasoline or other flammable vapors in the vicinity of this or any other appliance.
- This appliance is heavy. It is highly recommended that two people install this appliance.
- If your appliance is equipped with a heater, ensure the heater vents cannot, in any way, be covered as it may create a fire hazard.
- Do not run the power cord horizontally, directly below the appliance.

Your appliance is a wall-mounted or recessed appliance. Select a suitable location that is not susceptible to moisture and is away from drapes, furniture and high traffic areas.

**note:**

Follow all national and local electrical codes.

### 2.1 locating the appliance

#### WARNING

- Due to high temperatures, this electric appliance should be located out of traffic. Keep combustibile materials such as furniture, pillows, bedding, papers, clothes, curtains, and similar items at least 36" (91.4cm) from the front of the appliance.
- Never locate this electric appliance where it may fall into a bathtub or other water container.
- Wear safety gloves and safety glasses for protection during installation and maintenance.
- To prevent contact with sagging or loose insulation, the electric appliance must not be installed against vapor barrier or exposed insulation. Localized overheating could occur, possibly resulting in a fire.
- Do not expose the electric appliance to the elements (i.e. rain).

## 2.2 minimum clearance to combustibles

Clearance to Combustibles	
Combustibles to top	0"
Combustibles to bottom	0"
Combustibles to sides	0"
Combustibles to back	0"

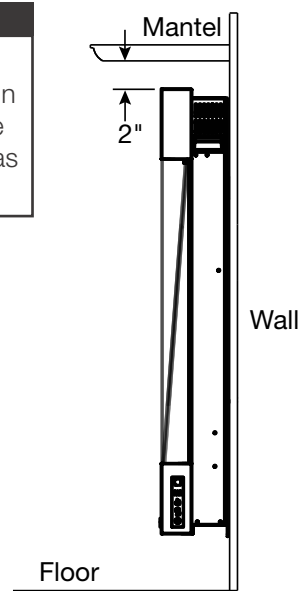
## 2.3 minimum mantel clearances

### WARNING

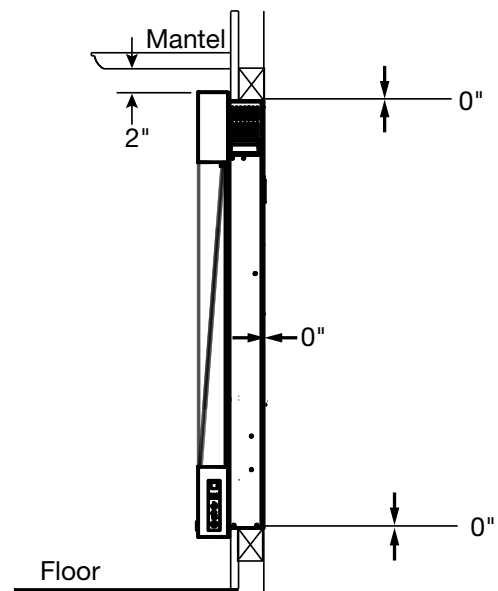
- When using paint or lacquer to finish the mantel, the paint or lacquer must be heat resistant to prevent discolouration.

**note:**

A 2" (51mm) gap between the appliance and the mantel is required in order to lift the appliance on/off the wall mount bracket hooks as well as to screw in the top bracket.



Side View (Wall Mount)



Side View (recessed into a wall)

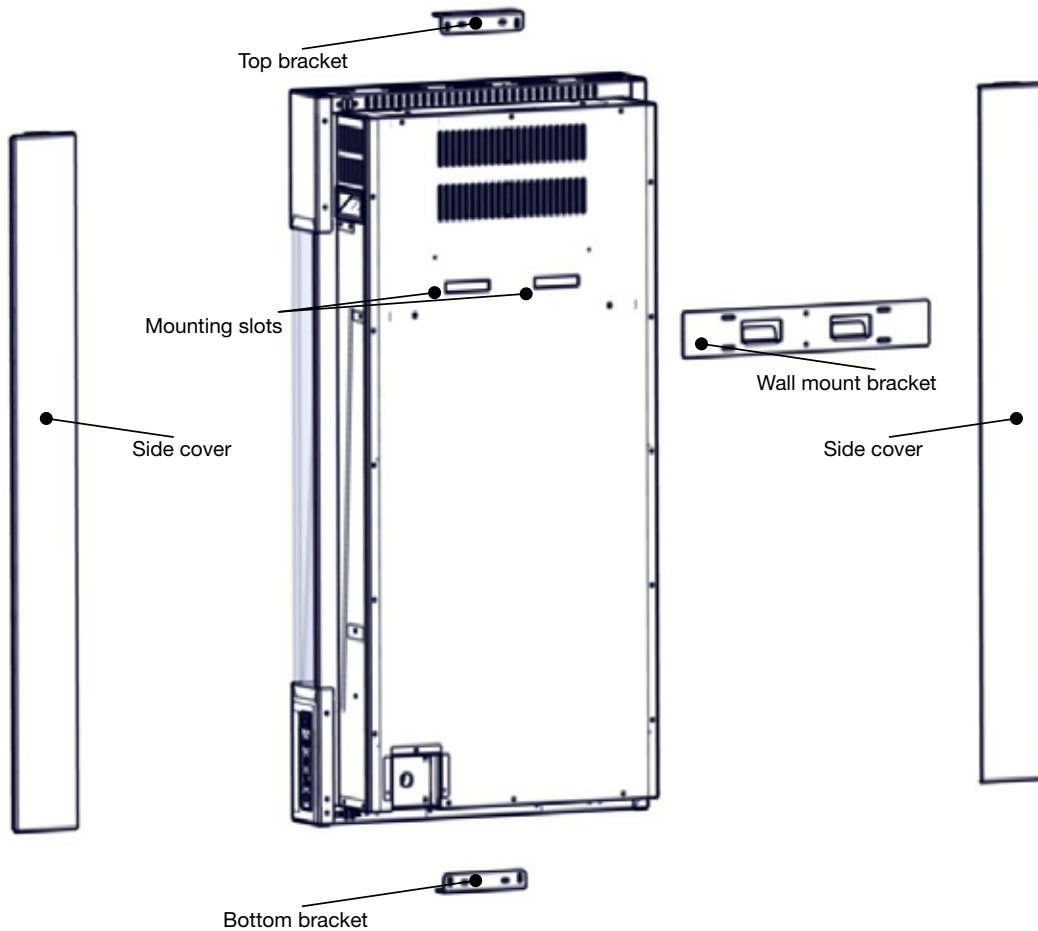
# installation

## 2.4 installing the appliance onto the wall (wall mount)

### ! WARNING

- Consult your local builder before installing the appliance. Appliance must be installed in accordance with local building codes.
- Appliance must be installed in a location not prone to moisture.
- Appliance must be installed at least 36" (91.4cm) away from combustible materials such as curtain drapes, furniture, bedding, paper, etc.

### Appliance Overview (Back View)



#### note:

We recommend having 2 people install this appliance.

1. Remove front glass (see "door glass removal" section). If applicable, remove existing media.
2. Place appliance on a soft, non-abrasive surface then remove the side covers secured to the back of the appliance. Set aside.
3. Remove the bottom bracket (**Fig. 1**). Set aside.
4. Hold the appliance against the wall to determine its final location.

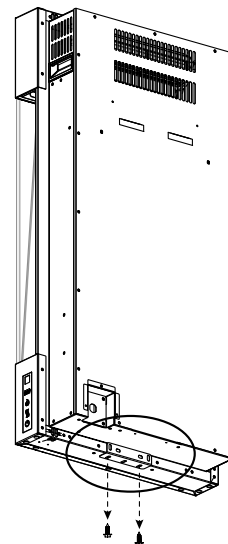
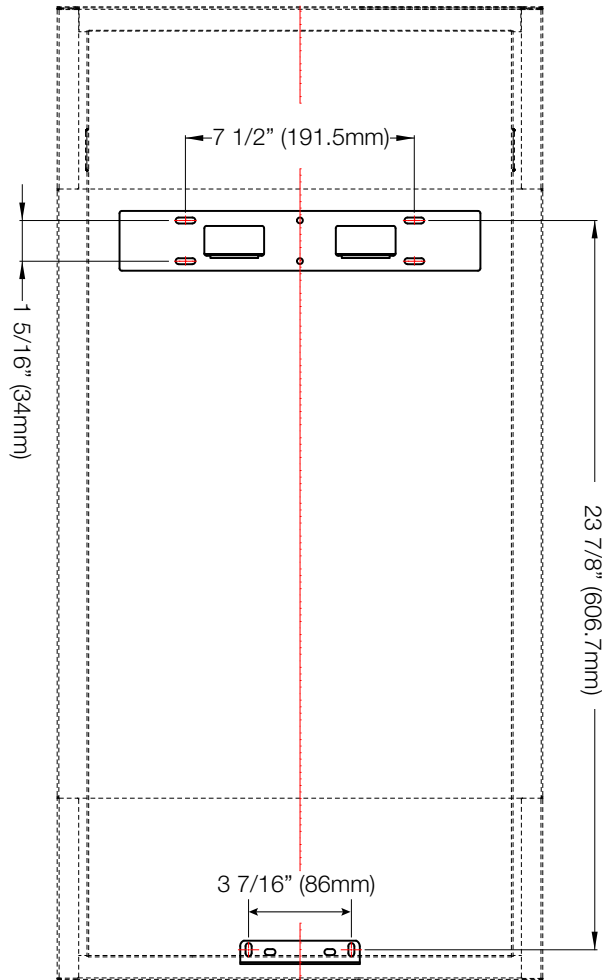
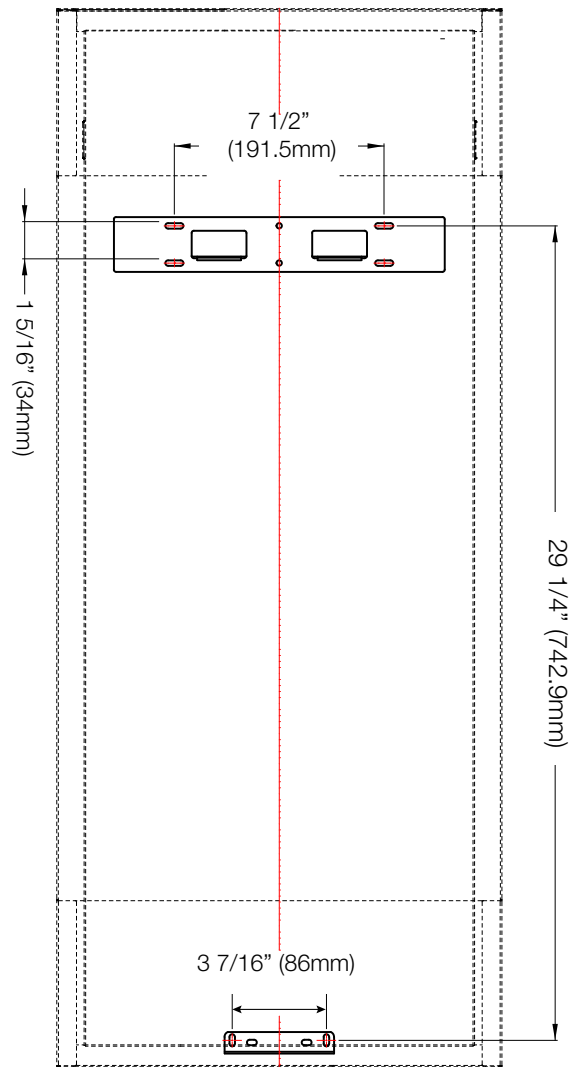


Fig. 1



**Fig. 2: NEFVC32H-EU Wall Mounting Installation Template**



**Fig. 3: NEFVC38H-EU Wall Mounting Installation Template**

- Using the appropriate wall mounting installation template (**Fig. 2 for NEFVC32H-EU or Fig. 3 for NEFVC38H-EU**), mark out the back and bottom bracket locations on the wall.

**note:**

The mounting brackets should be screwed into the wall studs with at least 4 screws. If the screws cannot be screwed into a stud, ensure that plastic anchors (provided) are used to affix the brackets to the wall and that the brackets are adequately secured.

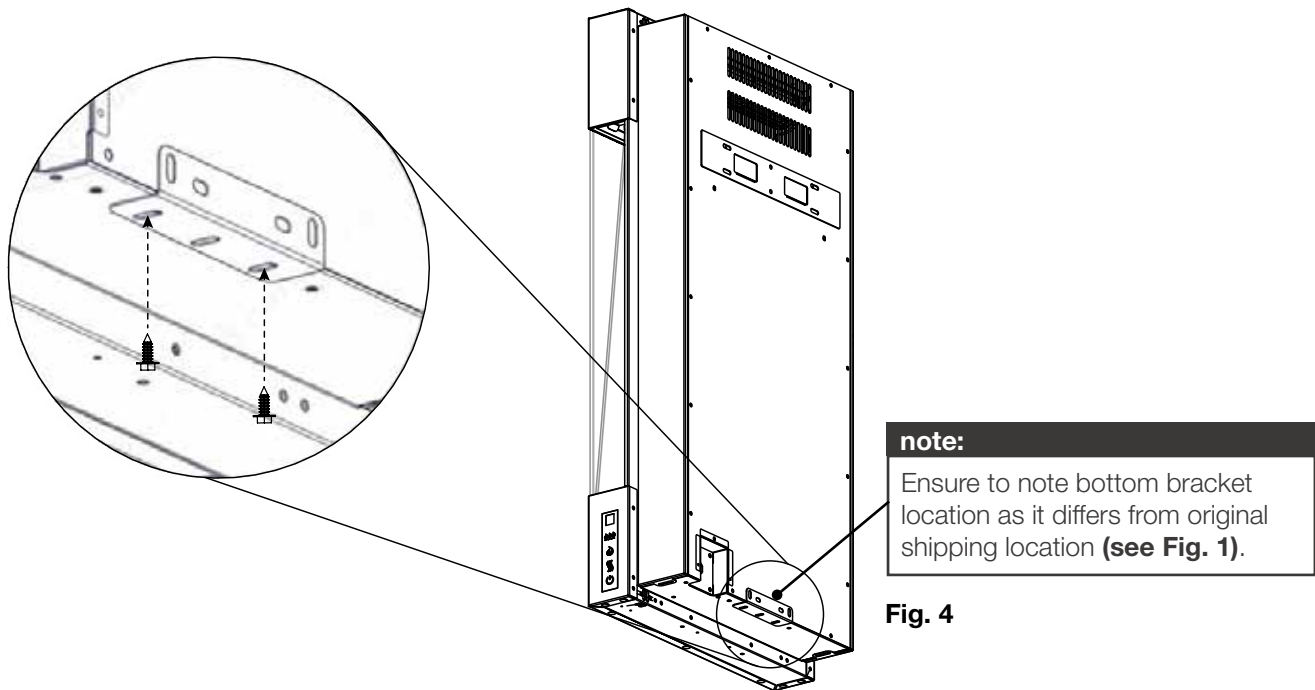
- Install the wall mount bracket (shipped inside the styrofoam piece protecting the top of the appliance) using 4 drywall anchors and 4 wood screws (supplied). Ensure the bracket is levelled.

**note:**

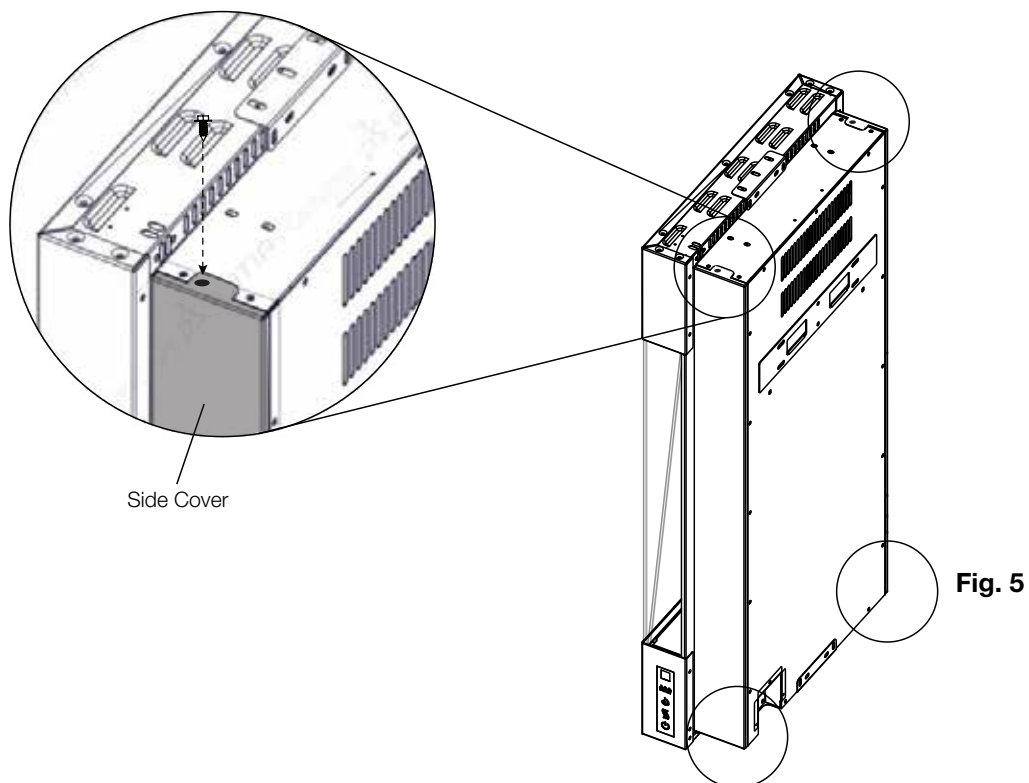
The hooks on the wall mount bracket must be facing upwards.

- Install the bottom bracket using 2 drywall anchors and 2 wood screws (supplied).
- Lift the appliance up until the two mounting slots clear the hooks on the wall mount bracket. Slide appliance down until completely secured.

9. Secure the appliance to the bottom bracket using the screws previously removed in Step 3 (**Fig. 4**).



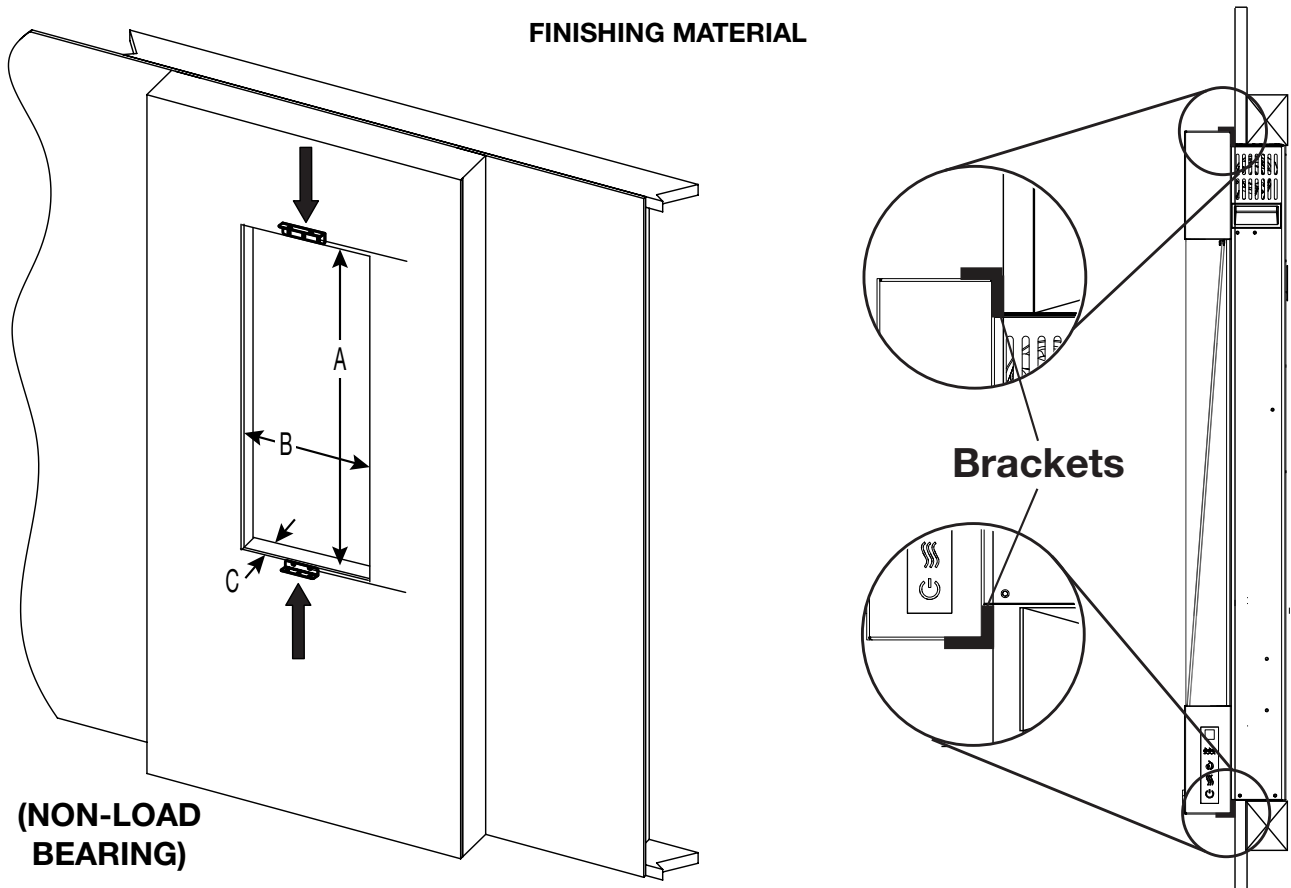
10. Install media into the firebox (see "finishing" section).  
 11. Install the front glass (see "door glass installation" section).  
 12. Install the side covers using the 4 screws previously removed in Step 2 (**Fig. 5**).





## 2.5 installing the appliance into the wall (recessed)

Measurements from body of appliance:	
Sides, Back, Top	0"



**(NON-LOAD BEARING)**

Model No.	A	B	C
NEFVC32H-EU	30 3/4" (78.1cm)	14 1/2" (36.8cm)	3 1/2" (8.9cm) min.
NEFVC38H-EU	36 3/4" (93.3cm)		

Side View (recessed into a wall)

1. Remove the side covers secured to the back of the appliance and discard.
2. Insert the appliance into the recess, and then mark the top and bottom bracket locations. Remove the appliance from the recess and set aside on a soft, non-abrasive surface.
3. Remove the top and bottom brackets (**Fig. 1**).
4. Using the top and bottom bracket location markings from Step 2, install the top and bottom brackets to the wall using 4 wood screws (supplied).
5. Re-insert the appliance into the recess, and then secure it to the top and bottom brackets (**Fig. 1**).

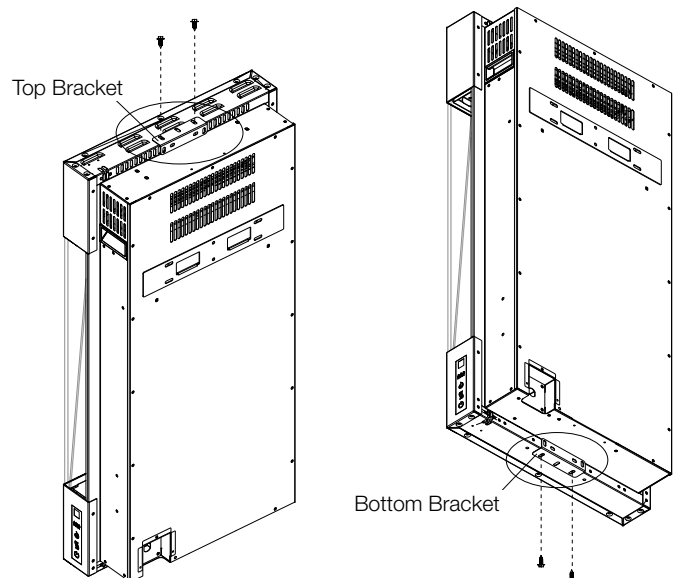


Fig. 1

## 3.0 finishing

### **!** WARNING

- Power supply service must be completed prior to finishing in order to avoid reconstruction.
- Heat vents and air openings cannot be covered under any circumstances.

### 3.1 dark crystal installation

**note:**

The door glass must be removed and the appliance must be secured in its final location before the dark crystals are installed (see “door glass removal” section).

1. Carefully place the dark crystals into the bottom media tray **(Fig. 1)**.
2. Apply an even layer from side to side.
3. Randomly place the 3 large crystal embers on top of the small crystal embers.



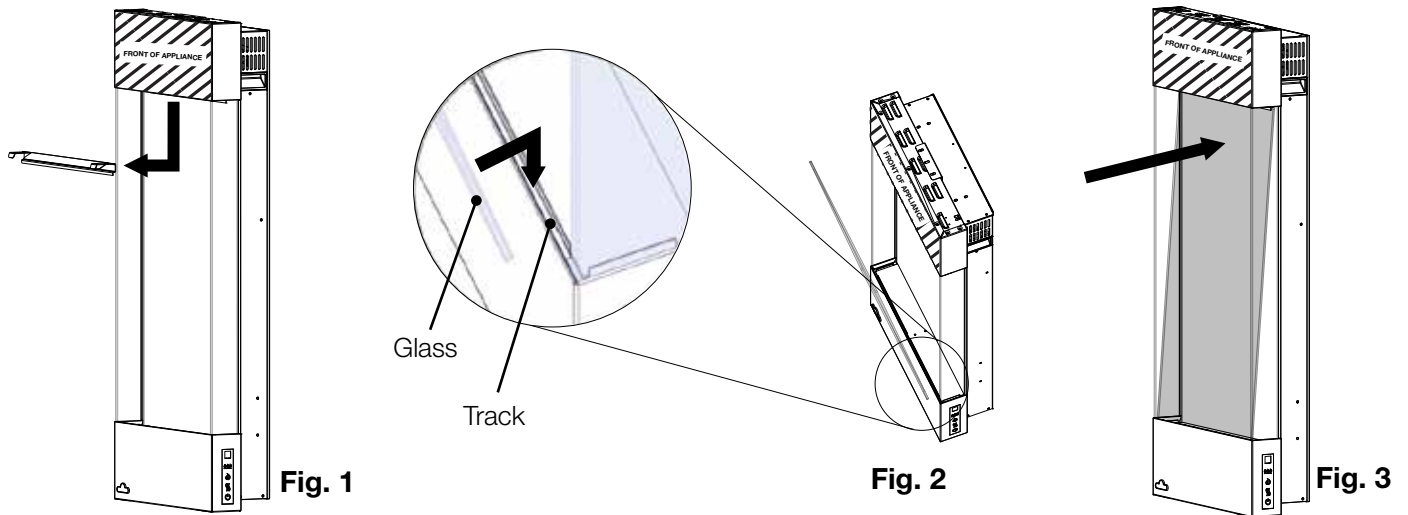
**Fig. 1**

### 3.2 door glass installation

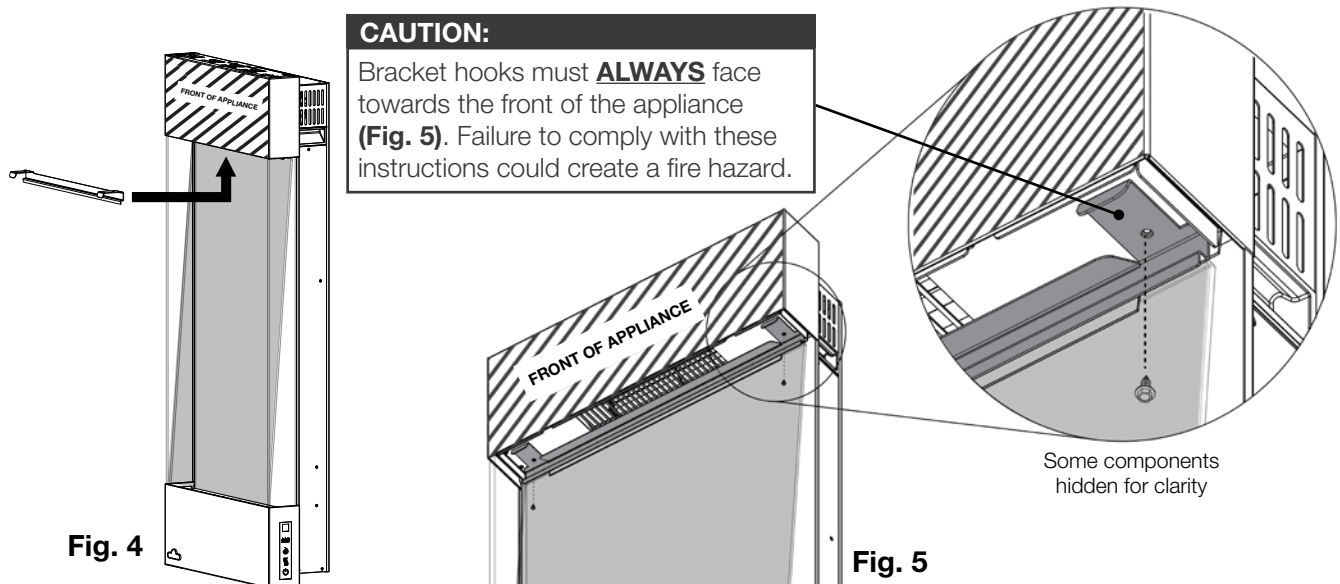
## ! WARNING

- Facing and/or finishing material must not interfere with air flow through air openings, louvre openings, operation of louvres or doors, or access for service. Observe all clearances when applying combustible materials.
- Before the door is removed, turn the appliance off and wait until the appliance is cool to the touch. Doors are heavy and fragile, so handle with care.

1. Remove the retainer bracket by removing the 2 screws (**Fig. 1**). **Note the orientation of the retainer bracket.**
2. Place the glass into the track located inside the firebox (**Fig. 2**).
3. Push the top of the glass against the top of the plastic panel (**Fig. 3**).

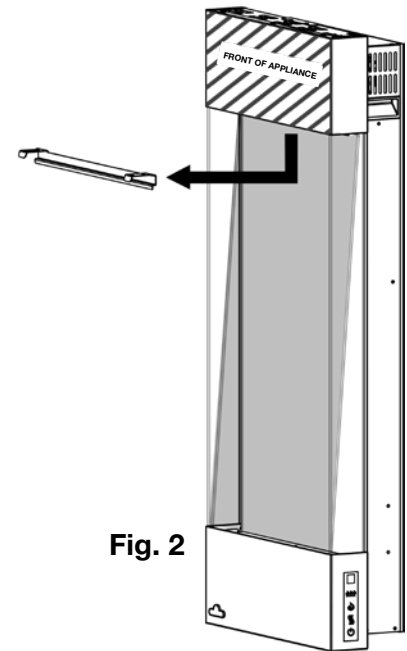
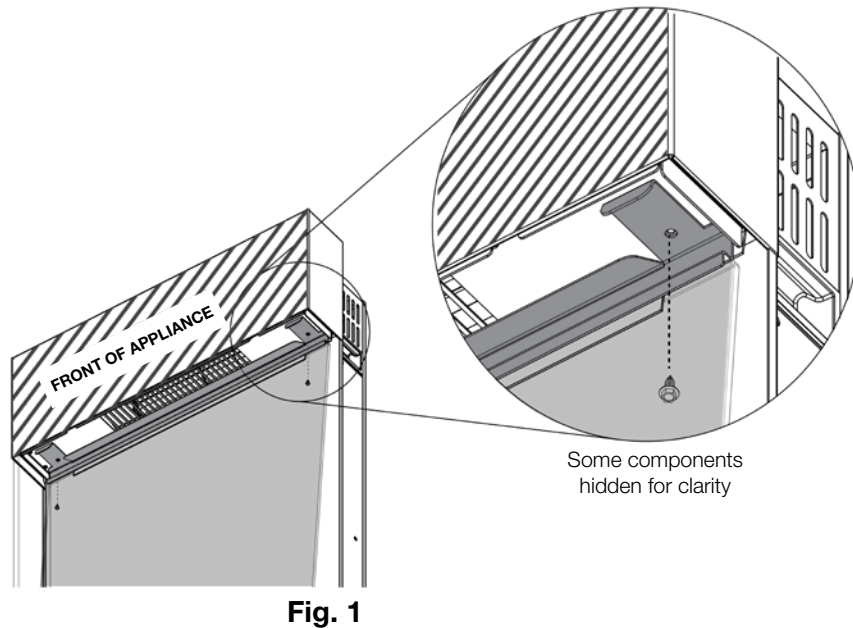


4. Install the retainer bracket to the top of the appliance as shown, using the 2 screws previously removed in Step 1 (**Fig. 4 and 5**). **Glass should be fixed after installation.**



### 3.3 door glass removal

1. Remove the retainer bracket by removing the 2 screws (**Fig. 1 and 2**). Set the screws aside; keep the bracket on-hand for Step 2.

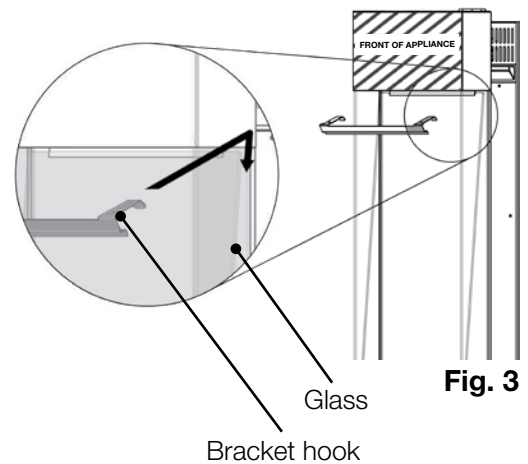


2. For ease of removal, use the bracket hooks to reach behind the glass and pull it forward (**Fig. 3**).

**CAUTION:**

Using the bracket this way is only recommended for ease of removal. When installing the bracket, hooks must **ALWAYS** face toward the front of the appliance (see "door glass installation" section). Failure to comply with these instructions could create a fire hazard.

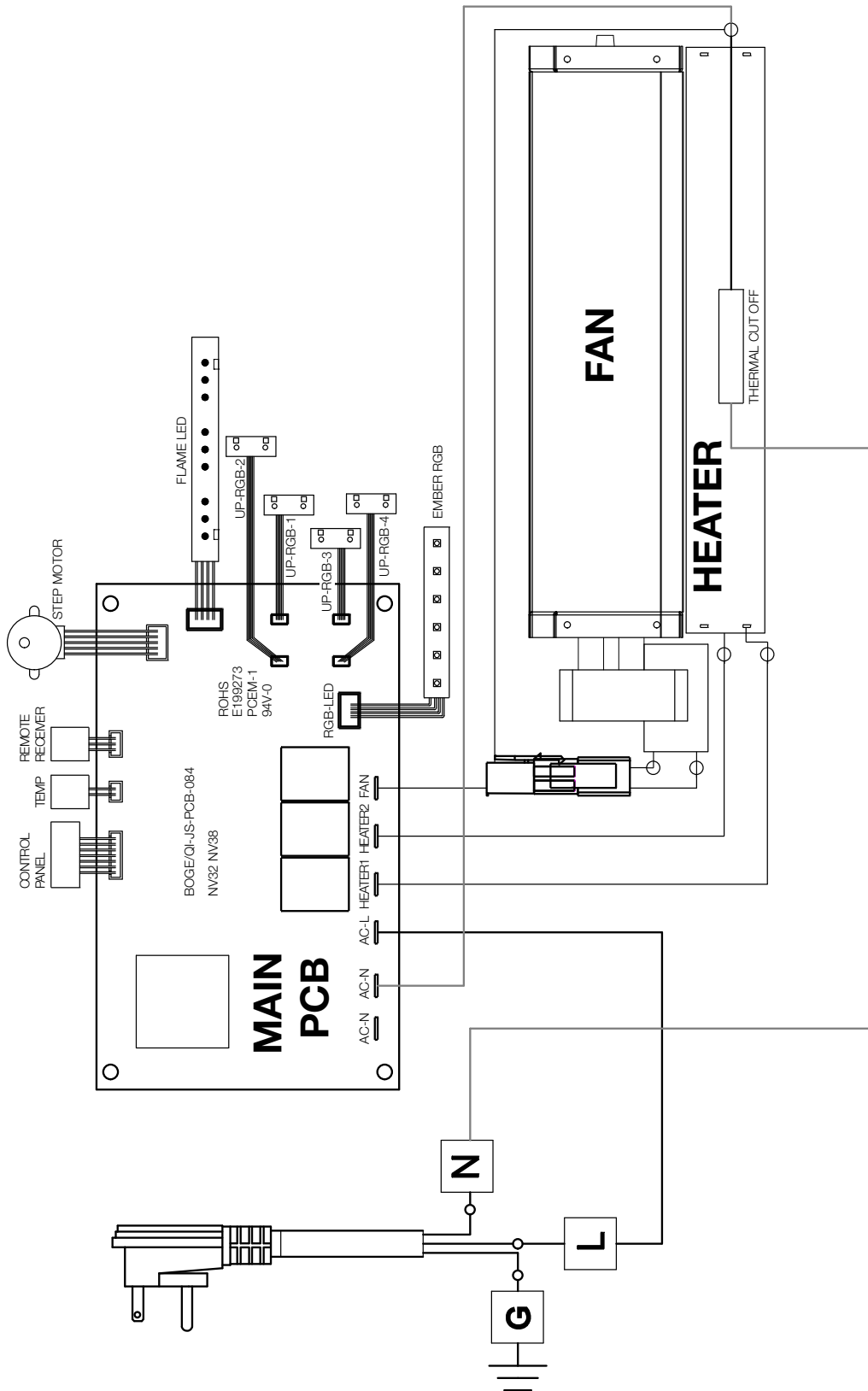
3. Remove the glass and place it on a soft, non-abrasive surface.



4.1 wiring diagram

**WARNING**

- Turn off the appliance completely and let cool before servicing. Only a qualified service person should service and repair this electric appliance.



## 4.2 hard-wiring installation

### **!** WARNING

- Turn off the appliance completely and let cool before servicing. Only a qualified service person should service and repair this electric appliance.

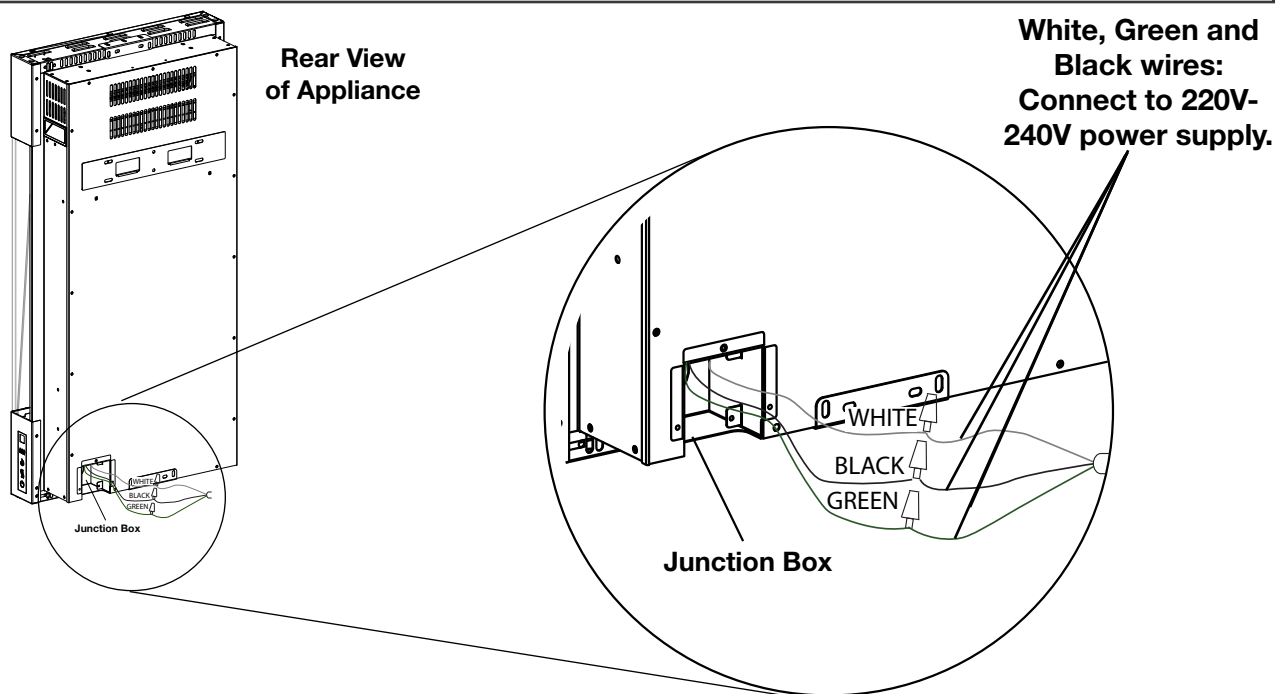
#### HARD WIRING CONNECTION

If it is necessary to hard wire this appliance, a qualified electrician must remove the cord connection, and wire the appliance directly to the household wiring. The wire and power supply breaker must be rated for 220V-240V minimum 15 Amps.

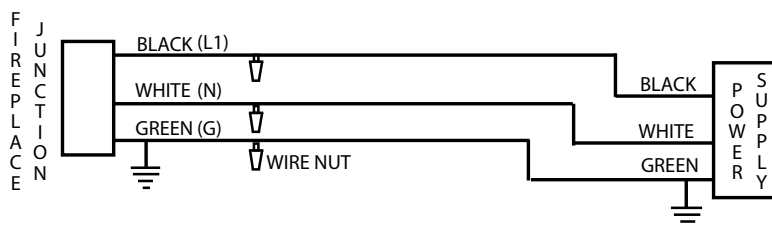
This appliance must be electrically connected and grounded in accordance with local codes, if hard wired.

#### note:

There are 3 wires from the appliance junction: white (neutral), black (power L1), and green (ground) that connect to 220V-240V power supply (breaker panel). See below.



- Remove the 4 securing screws from the electrical cover plate, located on the bottom left hand side of the appliance (when viewed from the rear).
- Install the strain relief to the electrical cover plate (located in hardwire bag).
- Separate the black, white and green wires that have the wire nuts on them.
- Remove the wire nuts and secure the black wire (power L1) to the black (power L1) lead of the power supply. Connect the white wire from the appliance to the white (neutral) wire from the power supply. Connect the green wire to the ground wire.
- Resecure the electrical cover plate.









## **WARNING**

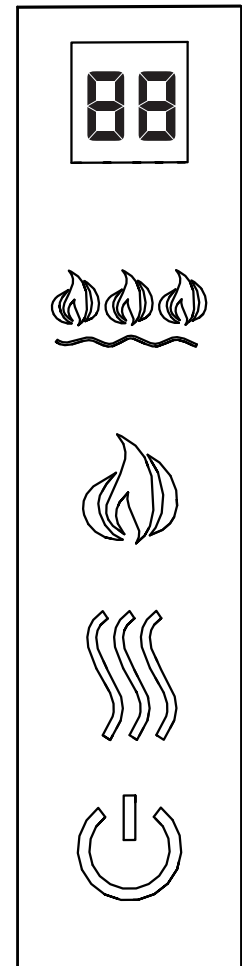
- Ensure the house circuit breakers for the power supply are turned on. When initially connecting the appliance to a power source, the appliance will perform an LED check. The appliance will flash on and off for 5 seconds.

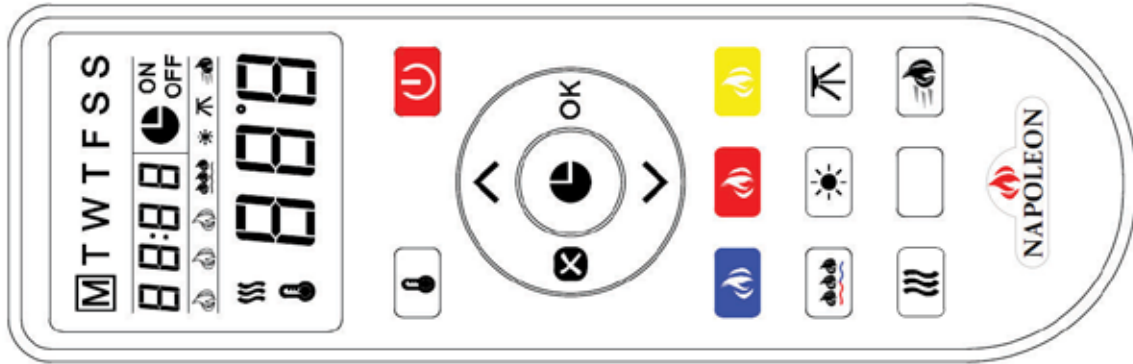
Once the appliance has been plugged into a grounded electrical outlet or hard wired to a dedicated 220V-240V power supply, it is ready to operate.









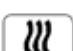


### 5.1 operating control panel

The Control Panel is located on the right side of the appliance (when viewed from the front).

<b>Power</b>		Turns the appliance on/off.
<b>Ember Bed Light</b>		Controls ember bed light settings.  <b>Settings:</b> L0 - Ember bed light off L1 - White L2 - Blue L3 - Green L4 - Red L5 - Yellow L6 - Purple L7 - Auto-cycle through white, blue, green, red, yellow, and purple. <b>(NOTE: It will take 8.5 seconds to switch between colours.)</b> L8 - Lock to desired color
<b>Flame Control</b>		Controls flame.  <b>8 Settings:</b> 00 - Flame off 01 - Orange flame 02 - Yellow flame 03 - Blue flame 04 - Yellow / orange flame 05 - Orange / blue flame 06 - Yellow / blue flame 07 - Yellow / orange / blue flame
<b>F° / C° Switch</b>		Changes temperature format from Fahrenheit to Celsius or vice versa. Press and hold the Flame button for 5 seconds.
<b>Heater Control</b>		Turns the heater and blower on/off.  <b>4 Settings:</b> H0 - Heater and blower off bL - Blower on H1 - Low heat H2 - High heat
<b>Heater Lock</b>		Heater button can be locked or unlocked by holding the Heater button for 5 seconds.





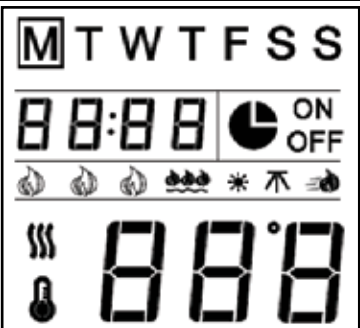








<b>Power</b>		Turns the appliance on/off.	<b>Ember Bed Color</b>		Controls ember bed light settings.  <b>Settings:</b> L0 - Ember bed light off L1 - White L2 - Blue L3 - Green L4 - Red L5 - Yellow L6 - Purple L7 - Auto-cycle through white, blue, green, red, yellow, and purple. <b>(NOTE: It will take 8.5 seconds to switch between colours.)</b> L8 - Lock to desired color
<b>Blue Flame</b>		Controls flame brightness.	<b>Ember Bed Brightness</b>		Controls the brightness of the ember bed light.  <b>Settings:</b> b1 - Low b2 - Medium b3 - Bright b4 - Brightest
<b>Orange Flame</b>		<b>Settings:</b> F0 - Flame off F1 - Small flame F2 - Medium flame F3 - Bright flame F4 - Brightest flame	<b>Timer</b>		There are 10 timer settings: 00, 30min., 1h, 2h, 3h, 4h, 5h, 6h, 7h, 8h.
<b>Yellow Flame</b>			<b>Temperature Control</b>		There are 7 temperature settings: 61°F [16°C], 64°F [18°C], 70°F [21°C], 75°F [24°C], 81°F [27°C], 85°F [29°C], and OFF.
<b>Heater</b>		Turns the heater and blower on/off.  <b>Settings:</b> H0 - Heater and blower off bL - Blower on H1 - Low heat H2 - High heat	<b>Top Light</b>		Controls top light settings.  <b>Settings:</b> d0 - Ember bed light off d8 - White d7 - Blue d6 - Green d5 - Red d4 - Yellow d3 - Purple d2 - Autocycle through white, blue, green, red, yellow, and purple. <b>(NOTE: It will take 8.5 seconds to switch between colours.)</b> d1 - Lock to desired colour
<b>Flame Speed</b>		Controls the speed of the flame. There are 5 flame speed settings: 01 (slowest) 02, 03, 04, and 05 (fastest).			





### 5.3 timer settings on remote control

<p> <b>Timer:</b> Displays current day, time, and week. Press to enter or confirm timer settings.</p>		
<p><b>OK</b> <b>Settings:</b> Press to move to next step (use with Timer button). Press to confirm week timer.</p>		
<p> <b>Back:</b> Press to clear timer settings. Press to return to the previous step (use with Settings button).</p>		
<p> <b>Up and down:</b> Use with Settings button.</p>		
<b>LCD Screen</b>		
<p><b>Weekday:</b> _____ Mon., Tues., Wed., Thurs., Fri., Sat., Sun.</p>		<p><b>NOTE:</b> The functions can only be adjusted when the related letters or digits are flashing. <b>NOTE:</b> Calibrate the timer to current time before the weekly settings.</p>
<p><b>Time Display:</b> _____</p>		
<p>Current Time / Timer From 00:00 to 24:00 <b>NOTE: 00-12:00 is AM / 13:00 - 24:00 is PM</b></p>		

#### 5.3.1 set current day and time




1. Press  once. When "MON" (Monday) begins flashing, use  to select current day. Press OK to complete the setting.
2. When the hour digits begin flashing, use  to select the current hour. Press OK to complete the setting.
3. When the minute digits begin flashing, use  to select the current minute. Press OK to complete the setting.

#### 5.3.2 set ON/OFF time and temperature on a weekly cycle

1. Press  once. When "MON" (Monday) begins flashing, use  to select current day. Press OK to complete the setting.



**note:**

The timer can only be adjusted in 30-minute intervals (i.e. 00:00 - 00:30; 00:30 - 01:00, etc.).

2. When "--:--" begins flashing, use  to select the desired hour and minutes to turn on the heater. Press OK to complete the setting. Press  at any time to clear the digits and shut down "ON" timer.
3. When "18" begins flashing, use  to select the desired temperature to turn on the heater for Monday.

**note:**

If the temperature was previously set, those digits will be shown instead of "18".

4. When "--:--" begins flashing, use  to select the desired hour and minutes to turn off the heater. Press OK to complete the setting. Press  at any time to clear the digits and shut down "OFF" timer.

## operating instructions

5. Repeat steps 1 to 4 to set the "ON/OFF" time and temperature for Tuesday, Wednesday, Thursday, Friday, Saturday, and Sunday.
6. Press OK to complete programming, ensuring the aim the remote control at the receiver, located in the middle of the appliance. The appliance will "beep" once to confirm that programming has been successful.

### 5.4 open window warning

If the room temperature decreases by 10 degrees within 3 minutes, the appliance will assume there is an open window nearby. In order to conserve energy, the heater will automatically switch from High Heat to Low Heat, or if the heater is already at Low Heat, it will turn off completely.

When switching from High Heat to Low Heat, the appliance will beep 3 times and the digital display will flash "88" three times before displaying the existing heating status.

When switching from Low Heat to Off, the appliance will beep 3 times and the digital display will flash "88" continuously.

To reset the heating function, see "operating remote control" section.

**! WARNING**

- Failure to position the parts in accordance with this manual or failure to use only parts specifically approved with this appliance may result in property damage or personal injury.

Contact your dealer for questions concerning prices and policies on replacement parts. Normally, all parts can be ordered through your Authorized dealer / distributor.

**For warranty replacement parts, a photocopy of the original invoice will be required to honour the claim.**

When ordering replacement parts always give the following information:

- Model & Serial Number of appliance
- Installation date of appliance
- Part number
- Description of part
- Finish

**Parts, part numbers, and availability are subject to change without notice.**

**Parts identified as stocked will be delivered within 2 to 5 business days for most delivery destinations.**

**Parts not identified as stocked will be delivered within a 2 to 4 week period, for most cases.**

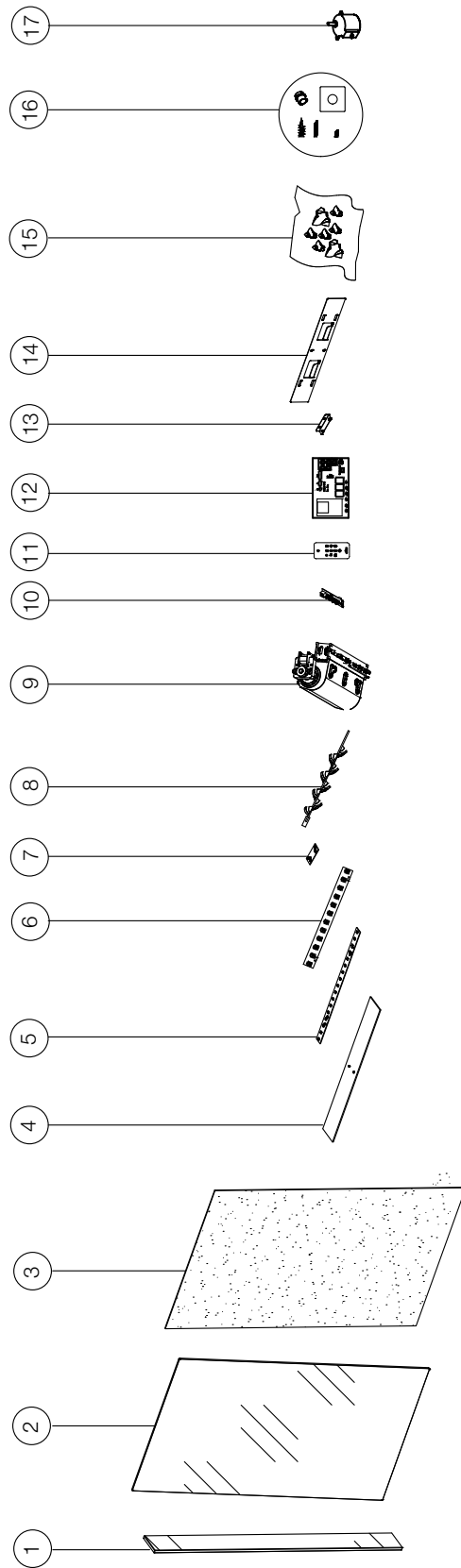
**Parts identified as 'SO' are special order and can take up to 90 days for delivery.**

For after sales service, please call +31 (0) 88 588 688.

**note:**

Care must be taken when removing and disposing of any broken glass or damaged components. Be sure to vacuum up any broken glass from inside the appliance before operation.

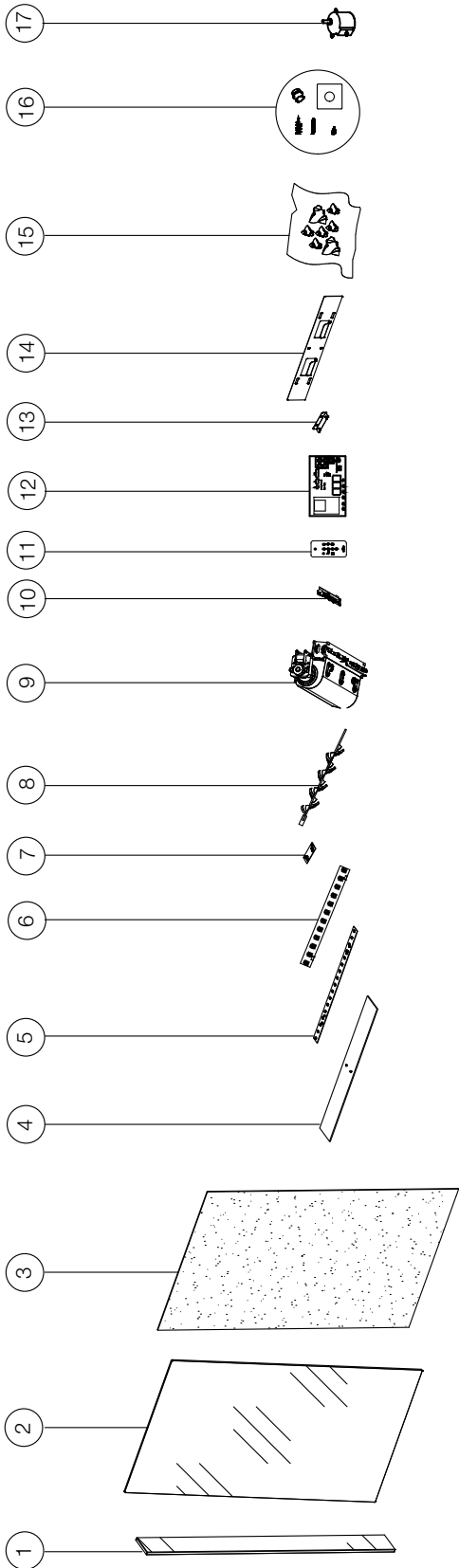
## 6.1 NEFVC32H-EU overview



Items may not appear exactly as illustrated.

Ref. No.	Part No.	Description	Stocked	Ref. No.	Part No.	Description	Stocked
1	W300-0285-SER	Side glass	Yes	9	W010-4999	Heater and blower assembly	Yes
2	W300-0287-SER	Front glass	Yes	10	W475-1593-SER	Control panel	Yes
3	W475-1591-SER	Projection screen, plastic panel	Yes	11	W190-0219	Remote control	Yes
4	W497-0050-SER	Plastic strips	Yes	12	W190-0220	Main PCB control	Yes
5	W405-0069-SER	Ember LED light	Yes	13	W080-1890-SER	Top/bottom wall bracket	Yes
6	W405-0068-SER	Flame LED light	Yes	14	W080-1889-SER	Fear wall bracket	Yes
7	W405-0070-SER	Top LED light	Yes	15	G497-0004	Dark crystals	Yes
8	W527-0031-SER	Reflector spindle	Yes	16	W370-0146-SER	Hardware kit	Yes
				17	W435-0090-SER	Step motor	Yes

6.2 NEFVC38H-EU overview



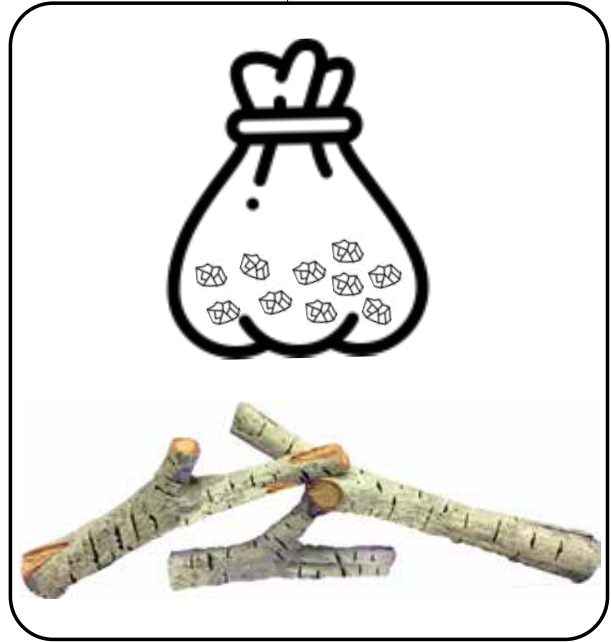
Items may not appear exactly as illustrated.

Ref. No.	Part No.	Description	Stocked	Ref. No.	Part No.	Description	Stocked
1	W300-0286-SER	Side glass	Yes	10	W475-1593-SER	Control panel	Yes
2	W300-0288-SER	Front glass	Yes	11	W190-0221	Remote control	Yes
3	W475-1592-SER	Projection screen, plastic panel	Yes	12	W190-0222	Main PCB board	Yes
4	W497-0050-SER	Plastic strip	Yes	13	W080-1890-SER	Top/bottom wall bracket	Yes
5	W405-0069-SER	Ember LED light	Yes	14	W080-1889-SER	Rear wall bracket	Yes
6	W405-0068-SER	Flame LED light	Yes	15	G497-0004	Dark crystals	Yes
7	W405-0070-SER	Top LED light	Yes	16	W370-0146-SER	Hardware kit	Yes
8	W527-0031-SER	Reflector spindle	Yes	17	W435-0090-SER	Step motor	Yes
9	W010-5000	Heater and blower assembly	Yes				

1



2



Items may not appear exactly as illustrated.

Ref. No.	Part No.	Description	Stocked
1	NEF-DRAK32	Kit, driftwood logs with river rocks	Yes
2	NEF-BLCAK32	Kit, birch logs with clear crystals	Yes

## **WARNING**

- Turn off the appliance completely and let cool before servicing. Only a qualified service person should service and repair this electric appliance.

symptom	problem	solution
Appliance will not come on when power button/switch is put into the "on" position.	Appliance is not plugged into an electrical outlet.	Check plug, and plug in the appliance if necessary.
	Hard-wire connections are not correct (if applicable).	See "hard-wiring installation" section.
	Appliance has overheated and safety thermal switch has tripped.	Unplug power or turn off the circuit breaker, allow appliance to cool for 15 minutes, then plug in the appliance or turn the breaker on.
	Main PCB board issue.	Inspect the circuit board and replace, if necessary.
Appliance turns off and will not turn on.	House circuit breaker has tripped.	Reset house circuit breaker.
	Appliance's fuse has blown.	Replace the fuse.
	Appliance has overheated and safety thermal switch has tripped.	Unplug power or turn off the circuit breaker, allow appliance to cool for 15 minutes to reset the thermal switch, then plug in the appliance or turn the breaker on.
Appliance has returned to default settings.	Power failure.	Re-program appliance to original settings (not applicable with all appliances).
Remote control does not work.	Low/dead batteries.	Replace batteries in remote control.
	Remote receiver malfunction.	Ensure remote receiver is not blocked. Replace control panel.
No warm air coming out of the appliance.	Heater setting not selected.	See "operation" section.
	Heater has been locked out.	See "operation" section.
	Room temperature is higher than appliance setting (if set to room temperature).	Reset temperature setting.
	Appliance has overheated and safety thermal switch has tripped.	Unplug power or turn off the circuit breaker. Allow for appliance to cool for 15 minutes.
	Hard-wire connections are not correct (if applicable).	See "hard-wiring installation" section.
	Heater issue.	Inspect the blower and heater and replace, if necessary.
Heater shuts off automatically.	Room is too warm.	The heater has a built-in thermostat so it will shut off automatically once the pre-set temperature is reached. It will also turn on automatically if the room temperature drops below the pre-set temperature.
Dim or no flame.	Flame brightness not selected.	See "operation" section.
	Flame LEDs issue.	Inspect the LED and replace, if necessary.
	Main PCB board issue.	Inspect the main PCB board and replace, if necessary.
Flame does not move.	Motor is stalled/malfunctioning.	Cycle on/off. If problem persists, consult dealer.
Ember bed is not glowing or dimming.	Brightness not selected.	See "operation" section.
	Ember LED issue.	Inspect the ember bed LEDs and replace, if necessary.
	Main PCB board issue.	Inspect the main PCB board and replace, if necessary.

## 9.0 warranty

**Napoleon** electric appliances are manufactured under the strict Standard of the world recognized ISO 9001 : 2015 Quality Management System.

**Napoleon** products are designed with superior components and materials and assembled by trained craftsmen who take great pride in their work. Once assembled, the complete appliance is thoroughly inspected by a qualified and authorized installer, service agency, or supplier before packing to ensure that you, the customer, receive the quality product that you expect from **Napoleon**.

### Napoleon Electric Appliance Limited Warranty

Electrical components and wearable parts are covered and **Napoleon** will provide replacement parts free of charge during the first 2 years of limited warranty. This covers: fan/heaters, motors, switches, nylon bearing components, remote controls, and LED lights.\*

Light bulbs and fuses are NOT covered by the warranty.

Any labour related to warranty repair is not covered.

\* Construction of models vary. Warranty applies only to components included with your specific appliance.

### Conditions and Limitations

**Napoleon** warrants its products against manufacturing defects to the original purchaser only. Registering your warranty is not necessary. Simply provide your proof of purchase along with the model and serial number to make a warranty claim. Provided that the purchase was made through an authorized **Napoleon** dealer, your appliance is subject to the following conditions and limitations:

Warranty coverage begins on the date of original installation.

This factory warranty is non-transferable and may not be extended whatsoever by any of our representatives.

Installation must be done in accordance with the installation instructions included with the product and all local and national building and fire codes.

This limited warranty does not cover damages caused by misuse, lack of maintenance, accident, alterations, abuse, or neglect and parts installed from other manufacturers will nullify this warranty.

This limited warranty further does not cover any scratches, dents, corrosion, or discolouring caused by excessive heat, abrasive and chemical cleaners, nor chipping on porcelain enamel parts, mechanical breakage of PHAZER™ logs.

In the first 2 years only, this warranty extends to the repair or replacement of warranted parts which are defective in material or workmanship, provided that the product has been operated in accordance with the operation instructions and under normal conditions.

**Napoleon** will not be responsible for installation, labour, or any other expenses related to the reinstallation of a warranted part, and such expenses are not covered by this warranty. Notwithstanding any provisions contained in the Limited Warranty, **Napoleon** responsibility under this warranty is defined as above, and it shall not in any event extend to any incidental, consequential, or indirect damages.

This warranty defines the obligations and liability of **Napoleon** with respect to the **Napoleon** electric appliance and any other warranties expressed or implied with respect to this product; its components or accessories are excluded.

**Napoleon** neither assumes, nor authorizes any third party to assume, on its behalf, any other liabilities with respect to the sale of this product.

Any damages to appliance, brass trim or other component due to water, weather damage, long periods of dampness, condensation, damaging chemicals, or cleaners will not be the responsibility of **Napoleon**.

**Napoleon** reserves the right to have its representative inspect any product or part thereof prior to honouring any warranty claim.

All parts replaced under the Limited Warranty Policy are subject to a single claim.

All parts replaced under the warranty will be covered for a period of 90 days from the date of their installation.

The manufacturer may require that defective parts or products be returned or that digital pictures be provided to support the claim. Returned products are to be shipped prepaid to the manufacturer for investigation. If a product is found to be defective, the manufacturer will repair or replace such defect.

Before shipping your appliance or defective components, your dealer must obtain an authorization number. Any merchandise shipped without authorization will be refused and returned to sender.

Shipping costs are not covered under this warranty.

Additional service fees may apply if you are seeking warranty service from a dealer.

All specifications and designed are subject to change without prior notice due to on-going product improvements. **Napoleon** is a registered trademark of Wolf Steel Ltd.





# NAPOLEON CELEBRATING OVER 40 YEARS OF HOME COMFORT PRODUCTS



**WEEE:**



**Meaning of crossed-out wheeled dustbin:**

**Do not dispose of electrical appliances as unsorted municipal waste, use separate collection facilities. Contact your local government for information regarding the collection systems available. If electrical appliances are disposed of in landfills or dumps, hazardous substances can leak into the groundwater and get into the food chain, damaging your health and well-being.**

**When replacing old appliances with new ones, the retailer is legally obligated to take back your old appliance for disposals at least free of charge.**



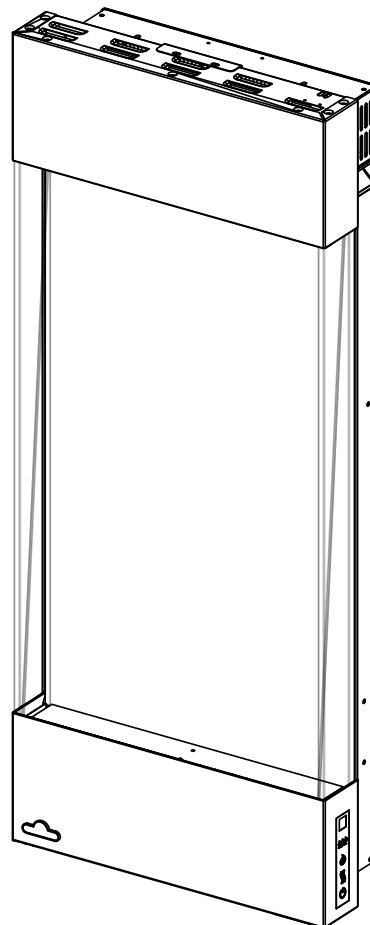
7200, Route Transcanadienne, Montréal, Québec H4T 1A3  
24 Napoleon Road, Barrie, Ontario, Canada L4M 0G8  
214 Bayview Drive, Barrie, Ontario, Canada L4N 4Y8  
103 Miller Drive, Crittenden, Kentucky, USA 41030  
De Riemsdijk 22, 4004 LC Tiel, The Netherlands  
napoleon.com



# MANUEL D'INSTALLATION ET D'UTILISATION

## Série Allure™ Verticale

(NEFVC38H-EU illustré)



### CONSIGNES DE SÉCURITÉ

#### **! AVERTISSEMENT**

#### **RISQUE D'INCENDIE OU D'EXPLOSION**

Si ces instructions ne sont pas suivies à la lettre, un incendie pourrait s'ensuivre causant des dommages matériels, des blessures corporelles ou des pertes de vie.

- N'entreposez pas et n'utilisez pas d'essence ou autres liquides et vapeurs inflammables à proximité de cet appareil ou tout autre appareil.

#### **INSTALLATEUR:**

Laissez ce manuel avec l'appareil

#### **PROPRIÉTAIRE:**

Conservez ce manuel pour consultation ultérieure.

**POUR L'UTILISATION INTÉRIEUR SEULEMENT**



Wolf Steel Europe BV  
De Riemsdijk 22, 4004 LC Tiel, Pays-Bas

## AVERTISSEMENT

- **Si équipé avec un chauffage, cet appareil peut être chaud lorsqu'il fonctionne et peut causer de graves brûlures en cas de contact.**
- Ne faites pas fonctionner l'appareil avant d'avoir lu et compris les instructions d'utilisation. L'incapacité de respecter les instructions pourrait causer un incendie ou des blessures corporelles.
- N'installez pas de composants endommagés ou incomplets, ni des composants de substitution.
- Ne brûlez pas de bois ou autres matériaux dans cet appareil.
- Tous les appareils électriques contiennent des composants internes qui deviennent chauds et qui produisent des étincelles. N'utilisez pas cet appareil dans des endroits où de l'essence, des peintures ou d'autres liquides inflammables sont présents.
- Les grillages de sécurités ou écrans enlevés pour faire l'entretien devront être remis en place avant d'utiliser l'appareil.
- Il est primordial de garder propres les compartiments de contrôle, les brûleurs, la soufflerie, les bouches d'air de l'appareil ainsi que le système d'évacuation. L'appareil et son système d'évacuation doivent être inspectés avant la première utilisation et au moins une fois l'an par un spécialiste en entretien. Un entretien plus fréquent pourrait être nécessaire en raison des peluches provenant des tapis, literie, etc. L'emplacement de l'appareil doit être gardé libre de tous matériaux combustibles, essence ou autres liquides et vapeurs inflammables.
- Cet appareil ne devra être modifié en aucun cas.
- N'utilisez pas cet appareil si une partie quelconque a été submergée. Contactez immédiatement un technicien de service qualifié pour inspecter l'appareil et pour remplacer toute pièce du système de contrôle qui aurait été submergée.
- Si équipé avec une porte vitrée, n'opérer pas l'appareil lorsque la porte vitrée est enlevée, fissurée ou brisée. Le remplacement de la vitre devra être effectué par un technicien de service certifié ou qualifié.
- Si équipé avec un porte vitrée, ne frappez pas et ne claquez pas la porte vitrée de l'appareil.
- Les matériaux d'emballage doivent être gardés hors de la portée des enfants et mis au rebut de façon sécuritaire. Comme tous les emballages de plastique, ceux-ci ne sont pas des jouets et doivent demeurer hors de la portée des enfants et des bébés.
- L'entretien ne doit être effectué que lorsque l'appareil est débranché du circuit électrique.
- Débranchez toujours l'appareil lorsqu'il n'est pas utilisé.
- N'utilisez pas l'appareil si le cordon d'alimentation ou la fiche sont endommagés, s'il ne fonctionne pas bien, ou s'il a été échappé ou endommagé d'une quelconque façon. Retournez l'appareil à un centre de service autorisé pour une inspection, des ajustements électriques ou mécaniques ou une réparation.
- N'utilisez pas cet appareil à l'extérieur.
- Lorsque vous installez cet appareil dans une pièce où l'eau est présente, l'installation doit se conformer aux codes reconnaissant le risque accru de décharge électrique et d'électrocution.

**note:**

Cet appareil NE PEUT PAS être installé dans une salle de bain.

- Ne passez pas le cordon d'alimentation sous un tapis. Ne recouvrez pas le cordon avec des carpettes, des tapis de couloir ou autres revêtements similaires. Évitez de placer le cordon dans un endroit passant ou à un endroit où il risque de causer des chutes.
- Branchez seulement dans une prise de courant adéquatement mise à la terre.
- N'insérez pas d'objets dans les ouvertures d'entrée d'air ou de sortie d'air puisque cela risque d'endommager l'appareil ou causer des chocs électriques ou un incendie.
- Il est normal que votre appareil électrique produise du bruit, surtout s'il est installé dans un endroit calme comme un chambre à coucher.

**! AVERTISSEMENT**

- Pour prévenir les risques d'incendie, ne bloquez pas les entrées d'air et les sorties d'air de quelque manière que ce soit. Ne placez pas cet appareil sur une surface molle telle qu'un tapis où les ouvertures pourraient se bloquer.
- Toujours brancher l'appareil directement dans une prise murale. N'utilisez pas de cordons d'alimentation ou une robinet d'alimentation relogeables (alimentation/multiprise).
- Cet appareil a été testé et homologué pour usage avec les accessoires optionnels listés dans ce manuel uniquement. L'utilisation d'accessoires optionnels qui n'ont pas été spécifiquement testés pour cet appareil électrique annulera la garantie de l'appareil et/ou présentera des risques pour la sécurité.

**! AVERTISSEMENT: Ce produit peut vous exposer à des substances chimiques incluant le plomb et les composés de plomb qui, selon l'État de Californie, causeraient le cancer, et des substances chimiques incluant le BBP et DEHP qui, selon d'État de Californie, causeraient des malformations congénitales ou autres dangers pour la reproduction. Pour de plus amples renseignements, visitez le [www.P65Warnings.ca.gov](http://www.P65Warnings.ca.gov).**

# table de matières

FR

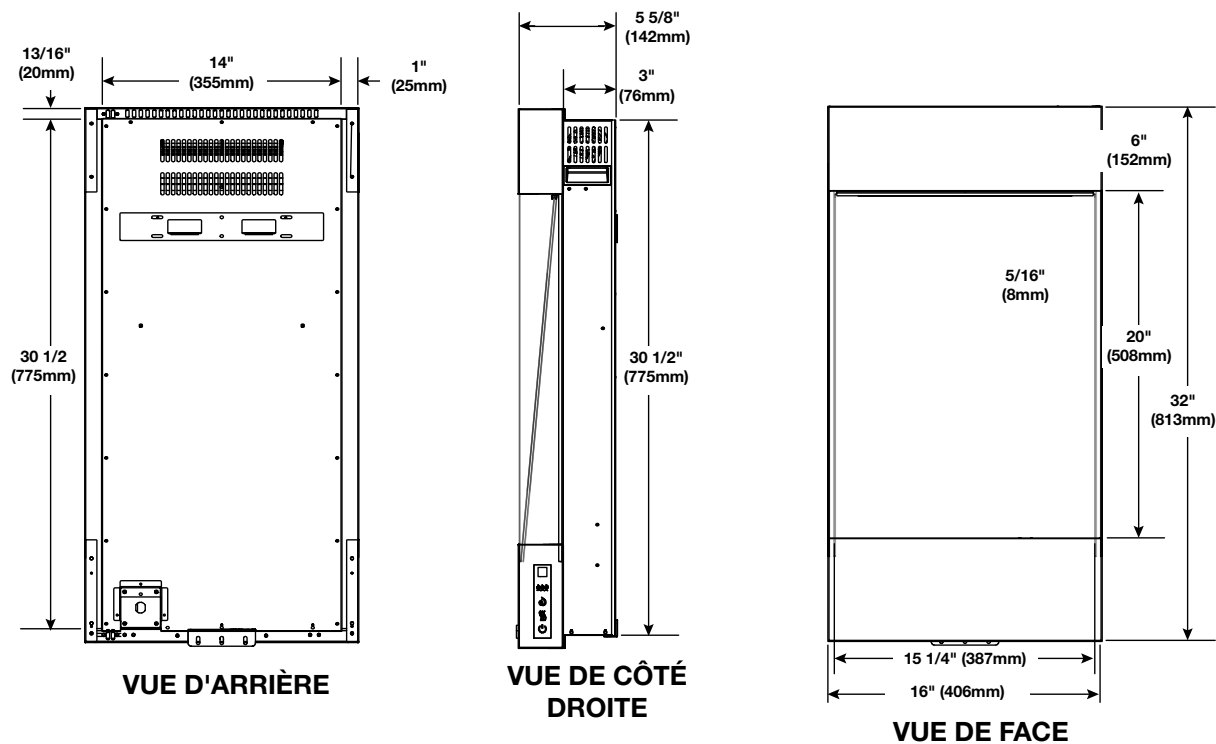
<b>1.0</b>	<b>informations générales</b>	<b>35</b>
1.1	dimensions	35
1.2	fiche technique et homologation	36
1.3	instructions générales	36
1.4	déballage et test de l'appareil	36
1.5	informations de la plaque signalétique	37
1.6	liste du matériel	37
<b>2.0</b>	<b>installation</b>	<b>38</b>
2.1	emplacement de l'appareil	38
2.2	espace minimum requis pour les matériaux combustibles	39
2.3	espace minimum requis pour le manteau	39
2.4	installation de l'appareil sur le mur (fixation murale)	40
2.5	installation de l'appareil dans le mur (position encastrée)	43
<b>3.0</b>	<b>finitions</b>	<b>44</b>
3.1	installation des cristaux sombres	44
3.2	installation de la porte vitrée	45
3.3	retrait de la porte vitrée	46
<b>4.0</b>	<b>caractéristiques électriques</b>	<b>47</b>
4.1	schéma de câblage	47
4.2	installation du raccordement câblé	48
<b>5.0</b>	<b>mode d'emploi</b>	<b>49</b>
5.1	utilisation du panneau de commande	49
5.2	utilisation de la télécommande	50
5.3	réglages du programmateur sur la télécommande	51
5.3.1	réglage de la date et l'heure	51
5.3.2	réglage es temps d'allumage et de la température par cycle hebdomadaire	51
5.4	détection de fenêtre ouverte	52
<b>6.0</b>	<b>pièces de rechange</b>	<b>53</b>
6.1	vue d'ensemble des pièces pour le modèle NEFVC32H-EU	54
6.2	vue d'ensemble des pièces pour le modèleNEFVC38H-EU	55
<b>7.0</b>	<b>accessoires</b>	<b>56</b>
<b>8.0</b>	<b>guide de dépannage</b>	<b>57</b>
<b>9.0</b>	<b>garantie</b>	<b>59</b>

## Remarque :

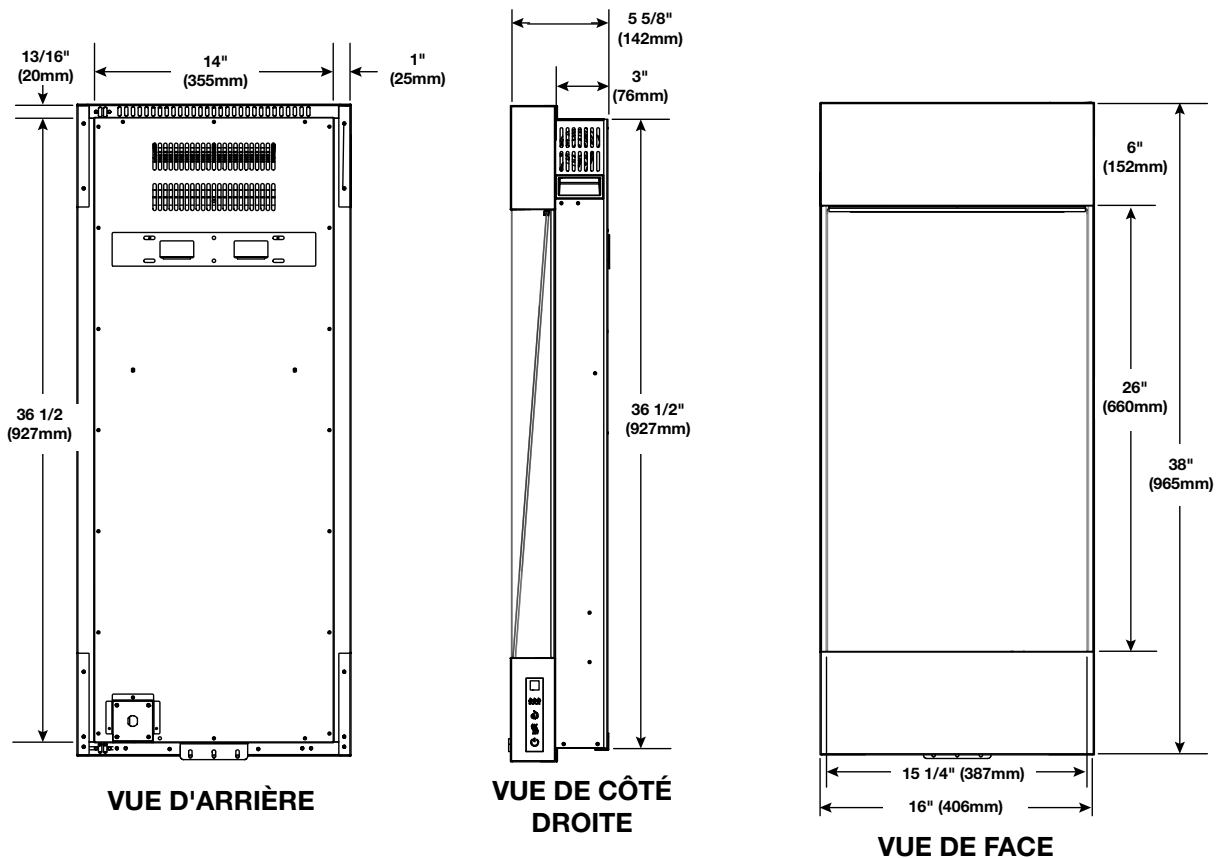
Les informations contenues dans ce manuel sont considérées comme étant correctes au moment de l'impression. Wolf Steel Ltd se réserve le droit de changer ou de modifier toute information présente dans ce manuel, à tout moment et sans préavis. Toute modification, autre qu'éditoriale, est signalée par une ligne verticale dans la marge.

## 1.1 dimensions

### NEFVC32H-EU Illustré



### NEFVC38H-EU Illustré



# informations générales

## FR 1.2 fiche technique et homologation

Numéro de modèle	NEFVC32H-EU	NEFVC38H-EU
Description	Appareil électrique verticale style contemporain 32"	Appareil électrique verticale style contemporain 38"
Tension	220-240V AC	
Watts	1 400W - 1 600 W max.	
Ampères	Circuit de mise à la terre de 15 A	
Largeur de l'Appareil	16" (406mm)	
Hauteur de l'Appareil	32" (813mm)	38" (965mm)
Profondeur de l'Appareil	5 5/8" (142mm)	
Poids Net	25lbs (11,3kg)	28,2lbs (12,8kg)
Poids Brut	33 lbs (15kg)	38,5lbs (17,5kg)

### 1.3 instructions générales

- Avant de brancher votre appareil dans une prise de courant, vérifiez si le disjoncteur de la maison pour ce circuit est allumé.
- Il est possible que l'appareil dégage une légère odeur inoffensive lors de la première utilisation. Cela est une condition normale causée par le chauffage initial des éléments de l'appareil. Elle ne se reproduira plus.
- Si votre appareil n'émet pas de chaleur lorsqu'il est sollicité, consultez la section « fonctionnement » de ce manuel pour de plus amples renseignements.
- Ne faites pas passer le cordon d'alimentation directement sous l'appareil.

Comme pour la plupart des dispositifs électroniques, cet appareil électrique a été conçu pour fonctionner entre 5°C (41°F) et 35°C (95°F). Durant les mois d'hiver généralement plus froids, laissez l'appareil atteindre la température ambiante avant de l'allumer.

### 1.4 déballage et test de l'appareil

Retirez délicatement l'appareil de la boîte, ainsi que les supports de fixation murale. Avant d'installer l'appareil, retirez tous les matériaux d'emballage et vérifiez le bon fonctionnement de l'appareil en branchant la câble d'alimentation dans une prise de terre prévue à cet effet de 220-240 V, 10 A minimum.









Les piles doivent être mises au rebut conformément aux lois et à la réglementation locales. Certaines piles peuvent être recyclées et acceptées dans votre centre de recyclage local. Renseignez-vous auprès de votre municipalité au sujet des directives de recyclage.



## 1.5 informations de la plaque signalétique

ELECTRIC FIREPLACE. SUITABLE FOR BEDROOM AND BED-SITTING ROOM INSTALLATION. SUITABLE FOR MOBILE HOME INSTALLATION.

VOLTAGE: 220-240 VAC  
 FREQUENCY: 50Hz  
 POWER: 1400 - 1600 W  
 DATE CODE: XXXXX

MODELS

NEFVC38H-EU                       NEFVC32H-EU

Manufacturer: Wolf Steel Ltd.  
 24 Napoleon Road,  
 Barrie, ON, L4M 0G8 Canada

Importer: Wolf Steel Europe BV  
 De Riemsdijk 22, 4004 LC Tiel,  
 The Netherlands

DESIGNED IN NORTH AMERICA  
 BY WOLF STEEL LTD.  
 MADE IN CHINA

SERIAL NUMBER: NEFVC##000000                      W385-2594

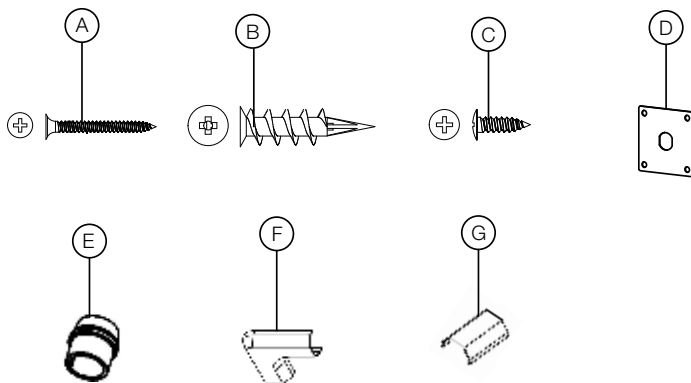
Pour connaître l'emplacement de la plaque signalétique, consulter la section « emplacement des étiquettes ».

L'illustration n'est présentée qu'à titre de référence. Pour des informations précises à propos de l'appareil, consulter la plaque signalétique.

**Remarque:**

La plaque signalétique doit toujours rester à proximité de l'appareil. Elle ne doit pas être retirée.

## 1.6 liste du matériel



	Description	Quantité
<b>A</b>	Vis à bois	6
<b>B</b>	Cheilles pour placoplâtre	6
<b>C</b>	Vis à métal ST4x12	8
<b>D</b>	Plaque de recouvrement	1
<b>E</b>	Serre-câble	1
<b>F</b>	Angle de goulotte	2
<b>G</b>	Goulotte	2

## 2.0 installation

FR

### AVERTISSEMENT

- Risque d'incendie! Le cordon d'alimentation ne doit pas être coincé contre une arrête vive. Fixez le cordon pour éviter les chutes ou les accrochages afin de réduire le risque d'incendie, de choc électrique ou de blessures corporelles. Ne passez pas le cordon d'alimentation sous un tapis. Ne recouvrez pas le cordon avec des carpettes, des tapis de couloir ou autres revêtements similaires. Évitez de placer le cordon dans un endroit passant ou à un endroit où il risque de causer des chutes.
- Risque d'incendie! Pour prévenir les risques d'incendie, ne bloquez pas les entrées d'air et les sorties d'air de quelque manière que ce soit. Ne placez pas cet appareil sur une surface molle où les ouvertures pourraient se bloquer.
- Risque d'incendie! Ne soufflez pas ou ne placez pas d'isolant contre l'appareil.
- Cet appareil électrique a été testé et homologué pour usage avec les accessoires optionnels listés dans ce manuel uniquement. L'utilisation d'accessoires optionnels qui n'ont pas été spécifiquement testés pour cet appareil électrique annulera la garantie de l'appareil et/ou présentera des risques pour la sécurité.
- Si ces instructions ne sont pas suivies à la lettre, un incendie ou une explosion pourraient s'ensuivre, causant des dommages matériels, des blessures corporelles ou des pertes de vie. N'entrez pas et n'utilisez pas d'essence ou autres vapeurs inflammables à proximité de cet appareil ou tout autre appareil.
- Étant donné la lourdeur de cet appareil, il est recommandé que deux personnes en fassent l'installation.
- Si votre appareil est équipé avec chauffage, assurez-vous que les ouvertures de la chauffage ne peut pas, dans aucune façon, être recouverts car il peut provoquer un incendie.
- N'exécutez pas le cordon d'alimentation horizontalement, directement en dessous de l'appareil.

Votre appareil se fixe au mur ou s'encastre. Choisir un emplacement adapté, à l'abri de l'humidité, sans passages fréquents et sans meubles et tissus à proximité.

#### Remarque:

Suivre tous les réglementations électriques locales et nationales.

### 2.1 emplacement de l'appareil

#### AVERTISSEMENT

- En raison des températures élevées qu'il produit, cet appareil électrique ne doit pas être placé dans une zone de passages fréquents. Maintenir toute matière combustible, tels que des meubles, des coussins, des draps, du papier, des habits, des rideaux et autres objets similaires à au moins 91,4 cm (36") de l'avant de l'appareil.
- Ne jamais placer cet appareil électrique dans une position où il pourrait tomber dans une baignoire ou un autre récipient d'eau.
- Porter des gants et des lunettes de protection pendant l'installation et la maintenance.
- Afin d'éviter tout contact avec un affaissement ou une partie détachée de l'isolant, l'appareil électrique ne doit pas être installé contre un pare-vapeur ou un isolant exposé. Une surchauffe localisée pourrait se produire, risquant d'entraîner un incendie.
- L'appareil électrique ne doit pas être exposé aux éléments (pluie, etc.).

## 2.2 espace minimum requis pour les matériaux combustibles

Espace requis pour les matériaux combustibles	
Espace requis au-dessus	0"
Espace requis en dessous	0"
Espace requis sur les côtés	0"
Espace requis à l'arrière	0"

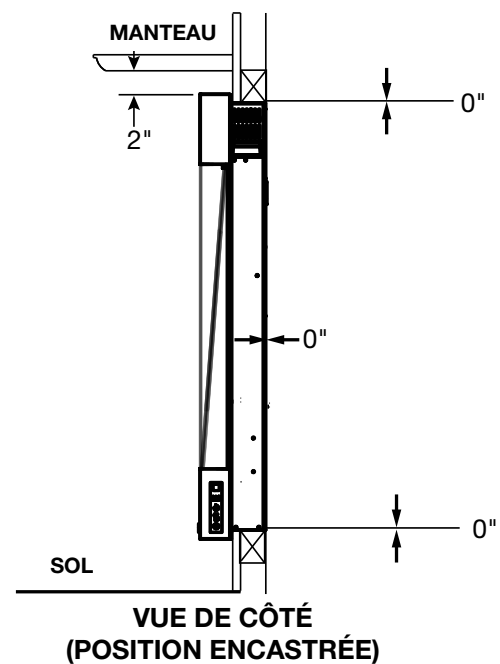
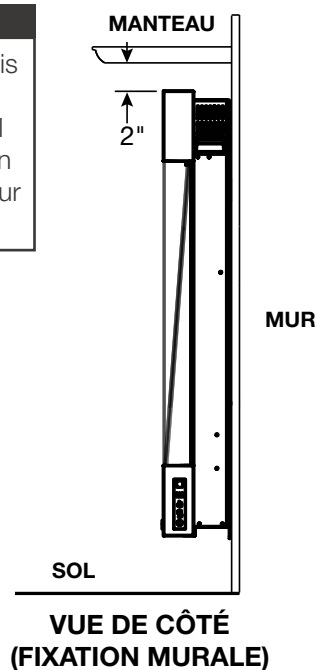
## 2.3 espace minimum requis pour le manteau

### ! AVERTISSEMENT

- En cas d'utilisation de peinture ou de laque pour les finitions du manteau, s'assurer que ces produits sont résistants à la chaleur afin d'éviter une décoloration.

#### Remarque:

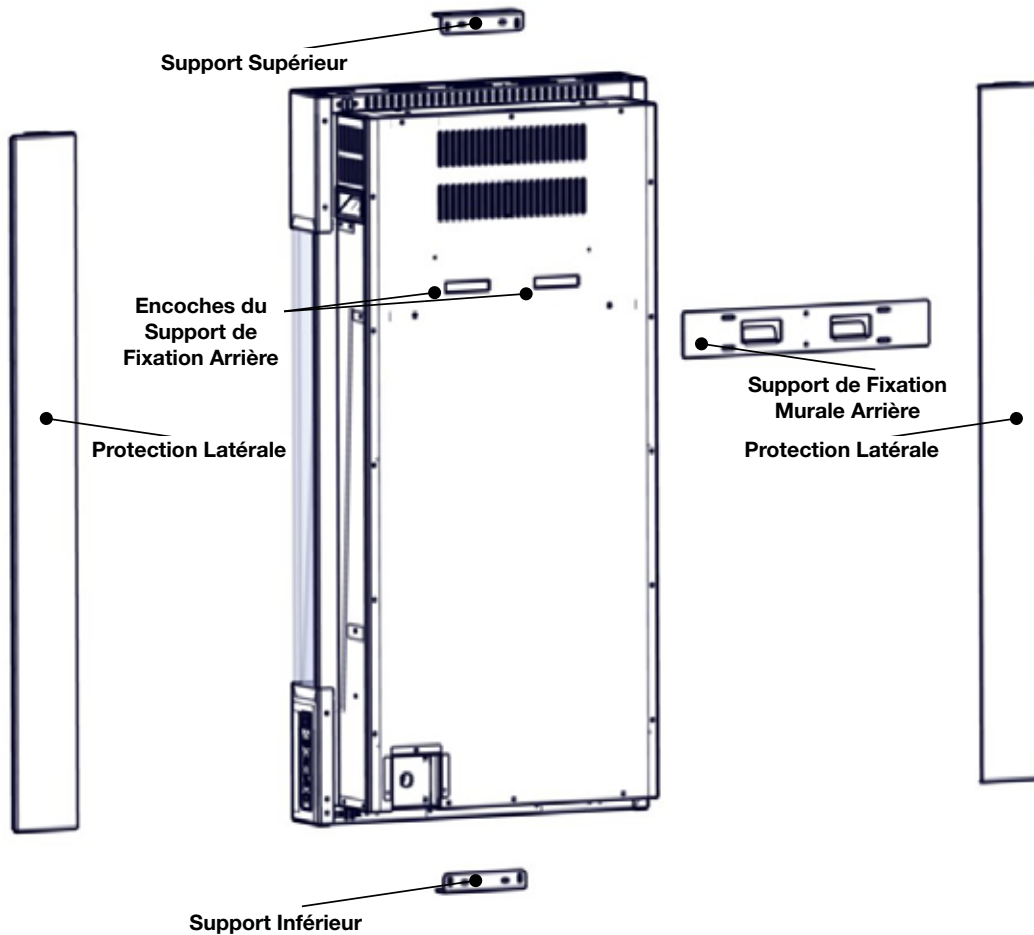
Un espace de 51 mm (2") est requis entre l'appareil et le manteau afin de pouvoir installer/retirer l'appareil des crochets de support de fixation murale et visser le support supérieur en place.



### AVERTISSEMENT

- Contacter votre détaillant local avant d'installer l'appareil. L'appareil doit être installé selon les codes de construction locaux.
- L'appareil doit être installé à un endroit qui n'est pas exposé à l'humidité.
- L'appareil doit être installé à 91,4 cm (36") au minimum de matériaux combustibles tels que des rideaux, des meubles, des draps, du papier, etc.

#### Présentation de l'Appareil (vue arrière)



#### Remarque:

Il est recommandé d'être à deux pour installer cet appareil.

1. Retirez la vitre avant (voir la section « retrait de la porte vitrée »). Si nécessaire, retirer les cristaux existants.
2. Placer l'appareil sur une surface douce et non abrasive, puis retirer les protections latérales fixées à l'arrière de l'appareil. Mettre de côté.
3. Retirer le support inférieur (**Fig. 1**). Mettre de côté.
4. Maintenir l'appareil contre le mur pour en déterminer l'emplacement final.

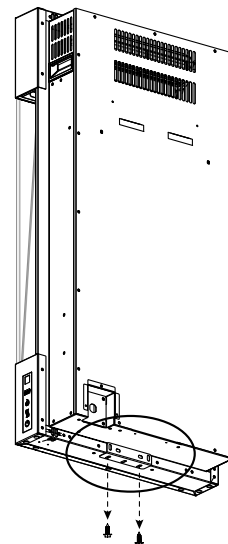
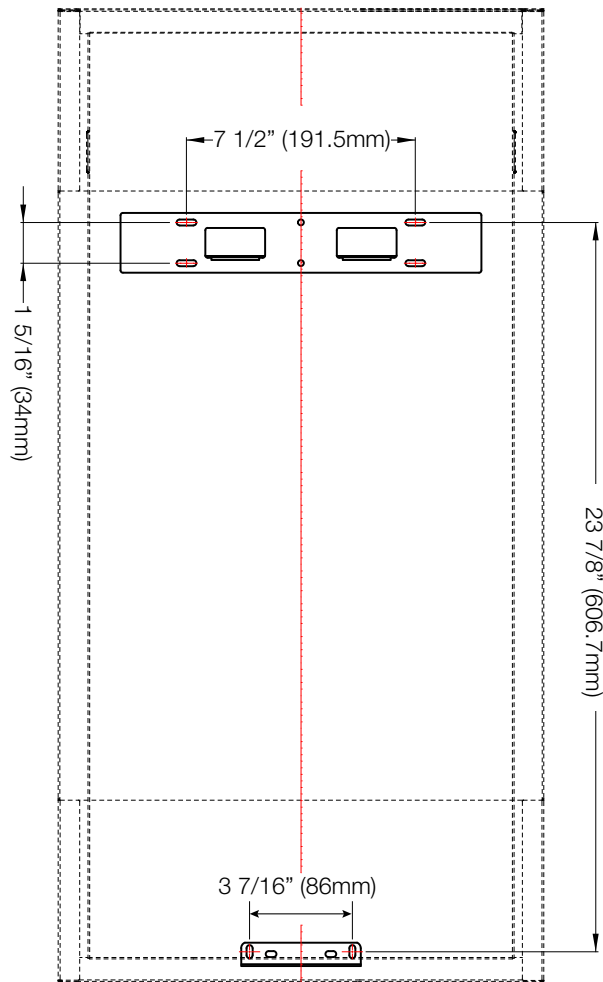
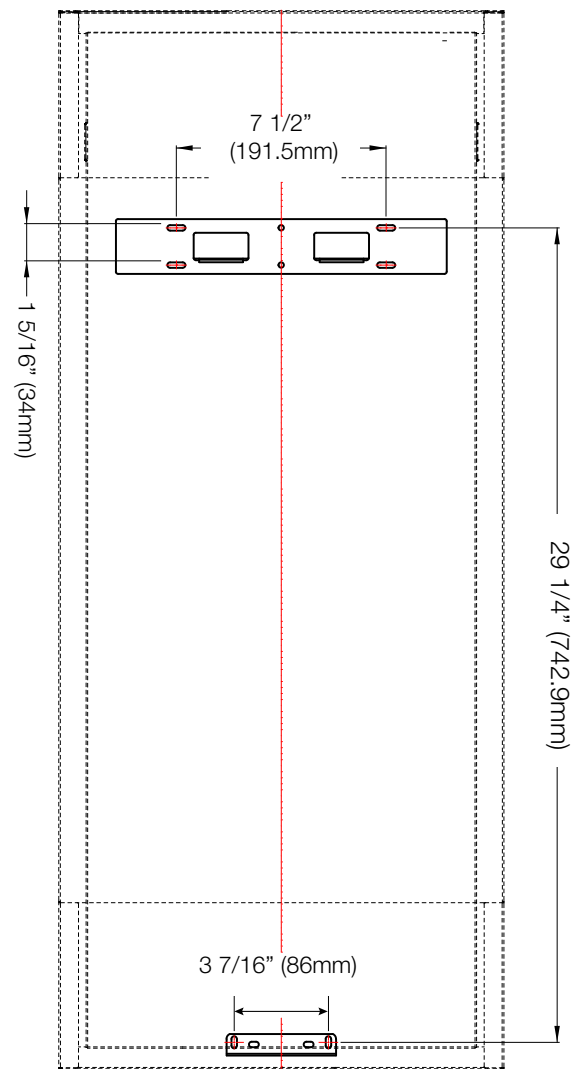


Fig. 1



**Fig. 2: NEFVC32H-EU** Modèle d'installation au mur



**Fig. 3: NEFVC38H-EU** Modèle d'installation au mur

- À l'aide du modèle d'installation murale approprié (**Fig. 2 pour le modèle NEFVC32H-EU** ou **Fig. 3 pour le NEFVC38H-EU**), tracer l'emplacement des supports arrière et inférieur sur le mur.

**Remarque:**

Les supports de fixations doivent être vissés aux montants de la cloison à l'aide d'au moins 4 vis. Si les vis ne peuvent pas être vissées dans un montant, veiller à utiliser les chevilles en plastique (fournies) pour fixer les supports au mur et assurez-vous que ces derniers sont correctement sécurisés.

- Installer le support de fixation murale (livré dans la protection en polystyrène placée sur le haut de l'appareil) à l'aide de 4 chevilles pour placoplâtre et de 4 vis à bois (fournies). Vérifier que le support est bien à niveau.

**Remarque:**

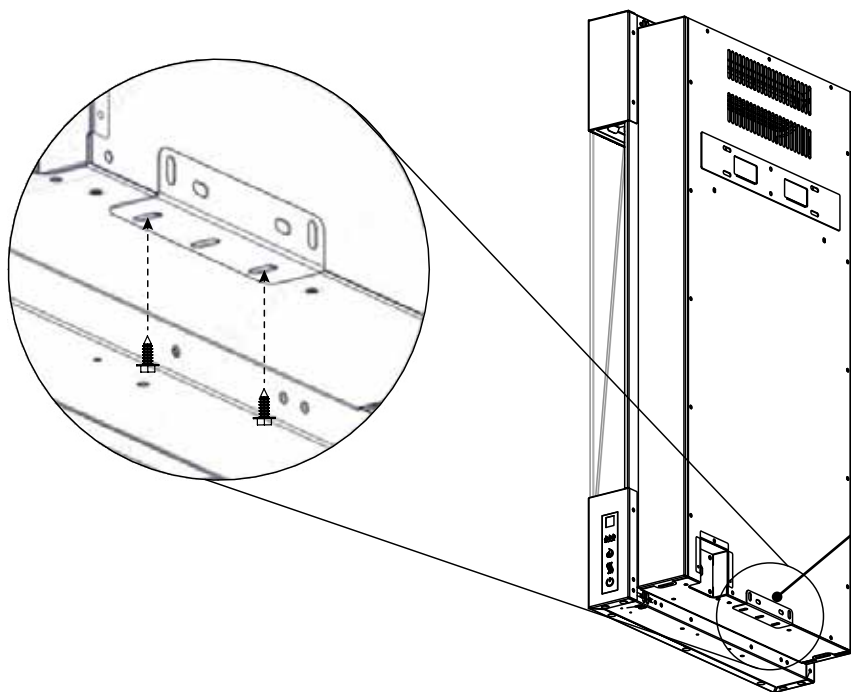
Les crochets du support de fixation murale doivent être tournés vers le haut.

- Installer le support inférieur à l'aide de 2 chevilles pour placoplâtre et de 2 vis à bois (fournies).
- Soulever l'appareil jusqu'à ce que les encoches du support de fixation arrière se trouvent au-dessus des crochets du support de fixation murale. Faire glisser l'appareil vers le bas jusqu'à la fixation complète.

# installation

FR

9. Fixer l'appareil au support inférieur en utilisant les vis qui ont été retirées plus tôt lors de l'étape 3 (Fig. 4).



### Remarque:

Veiller à noter l'emplacement du support inférieur puisqu'il est différent de son emplacement d'origine à la livraison (voir Fig. 1).

Fig. 4

10. Installer les cristaux dans le foyer (voir la section « finitions »).

11. Installer la vitre avant (voir la section « installation de la porte vitrée »).

12. Installer les protections latérales à l'aide des 4 vis retirées durant l'étape 2 (Fig. 5).

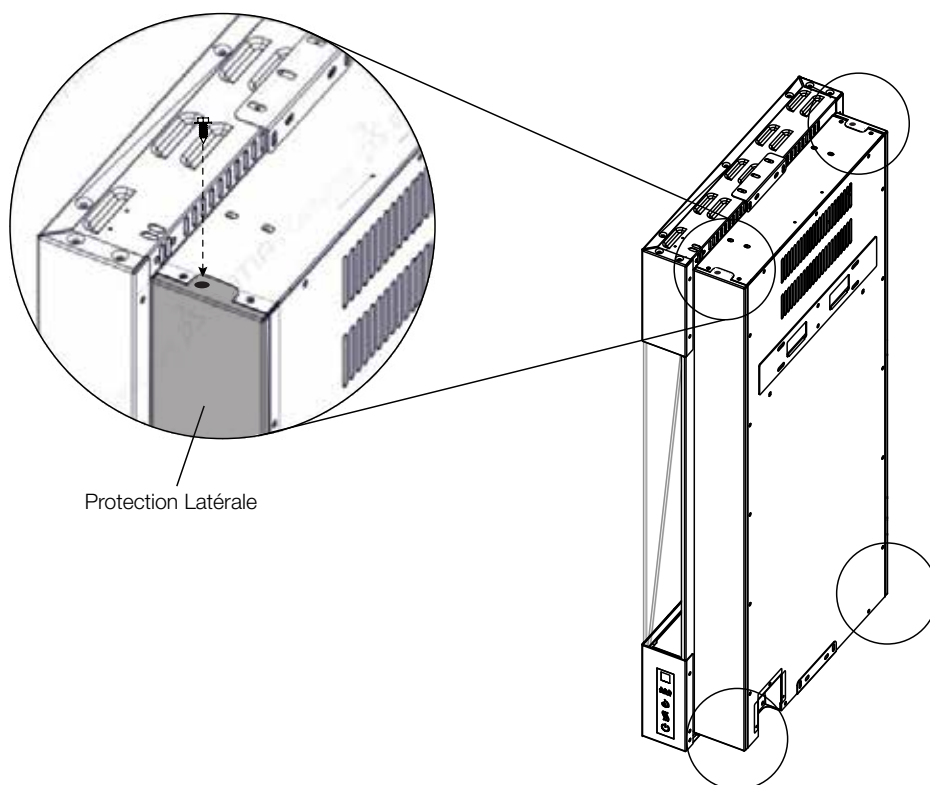
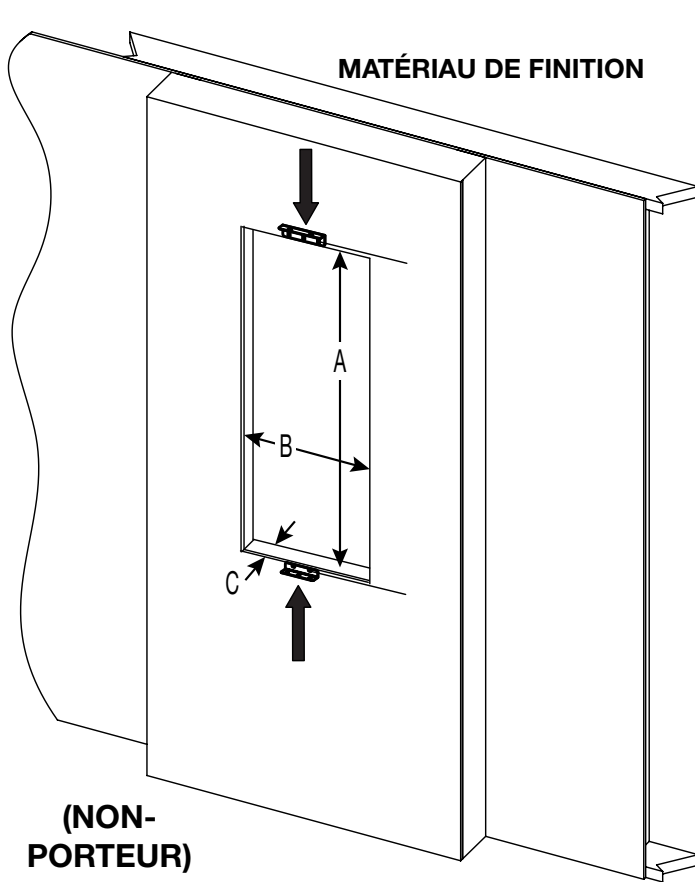


Fig. 5

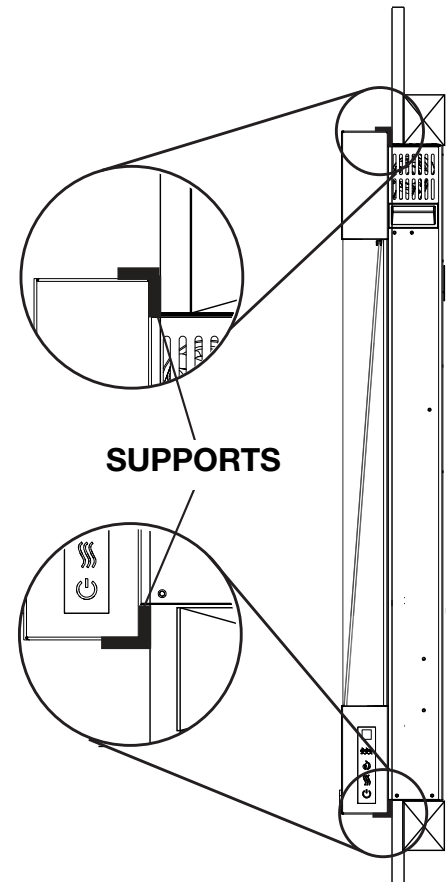
## 2.5 installation de l'appareil dans le mur (position encastrée)

Mesures à partir du corps de l'appareil:

Côtés, arrière et haut 0"



(NON-  
PORTEUR)



VUE DE CÔTÉ  
(POSITION ENCASTRÉE)

N° de Modèle	A	B	C
NEFVC32H-EU	30 3/4" (78,1cm)	14 1/2" (36,8cm)	3 1/2" (8,9cm) min.
NEFVC38H-EU	36 3/4" (93,3cm)		

1. Retirer les protections latérales fixées à l'arrière de l'appareil et les jeter.
2. Insérer l'appareil dans le renforcement, puis tracer l'emplacement des supports supérieur et inférieur. Retirez l'appareil du renforcement et le placer sur une surface douce et non abrasive.
3. Retirer les supports supérieur et inférieur (**Fig. 1**).
4. En vous repérant à l'aide des marques pour l'emplacement des supports supérieur et inférieur réalisées lors de l'étape 2, installer les supports sur le mur en utilisant 4 vis à bois (fournies).
5. Insérer à nouveau l'appareil dans le renforcement, puis le fixer en place au niveau des supports supérieur et inférieur (**Fig. 1**).

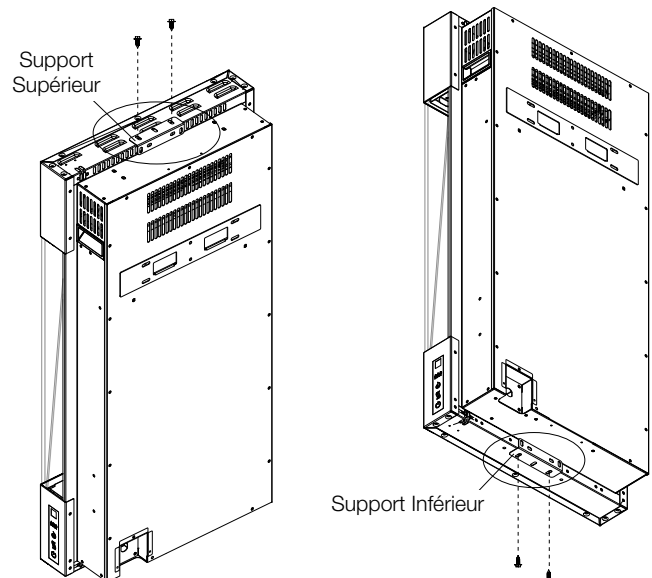


Fig. 1

## 3.0 finitions

FR

### **! AVERTISSEMENT**

- L'installation de l'alimentation électrique doit être terminée avant les finitions afin d'éviter un éventuel démontage de l'appareil.
- Les fentes et les ouvertures d'aération ne doivent jamais être obstruées.

### 3.1 installation des cristaux sombres

#### **Remarque:**

La porte vitrée doit être reitrée et l'appareil fixé à son emplacement définitif avant d'installer les cristaux sombres (voir la section « retrait de la porte vitrée »).

1. Placer délicatement les cristaux sombres dans le bac du foyer **(Fig. 1)**.
2. Les répartir uniformément sur toute la longueur.
3. Placer au hasard les 3 grosses cristaux sur les petites cristaux.



**Fig. 1**

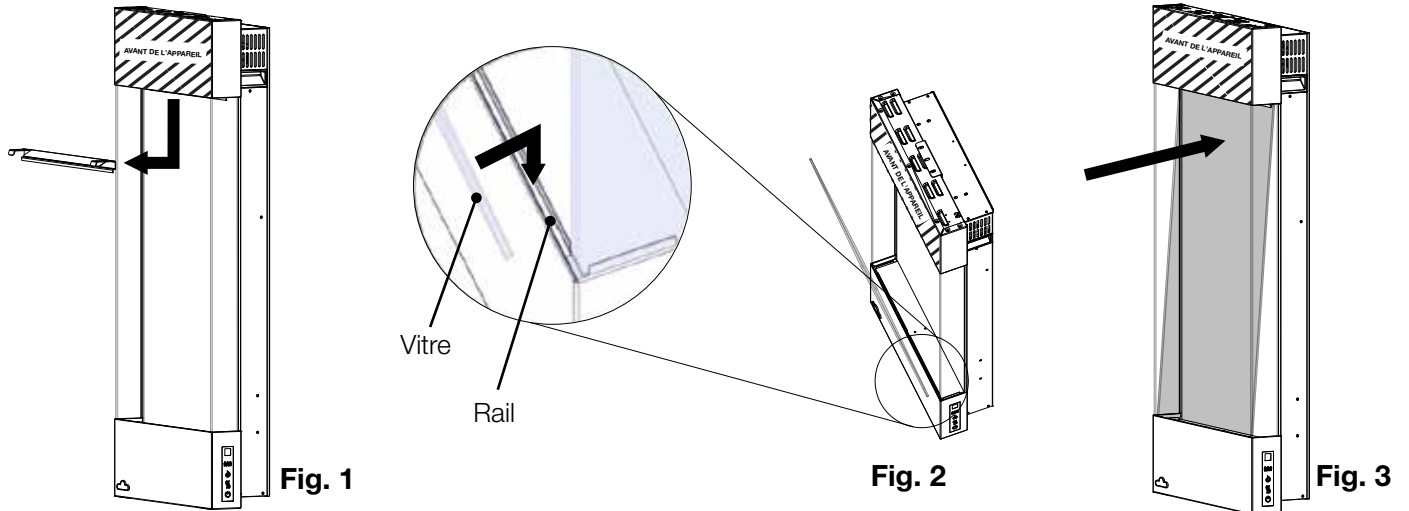


### 3.2 installation de la porte vitrée

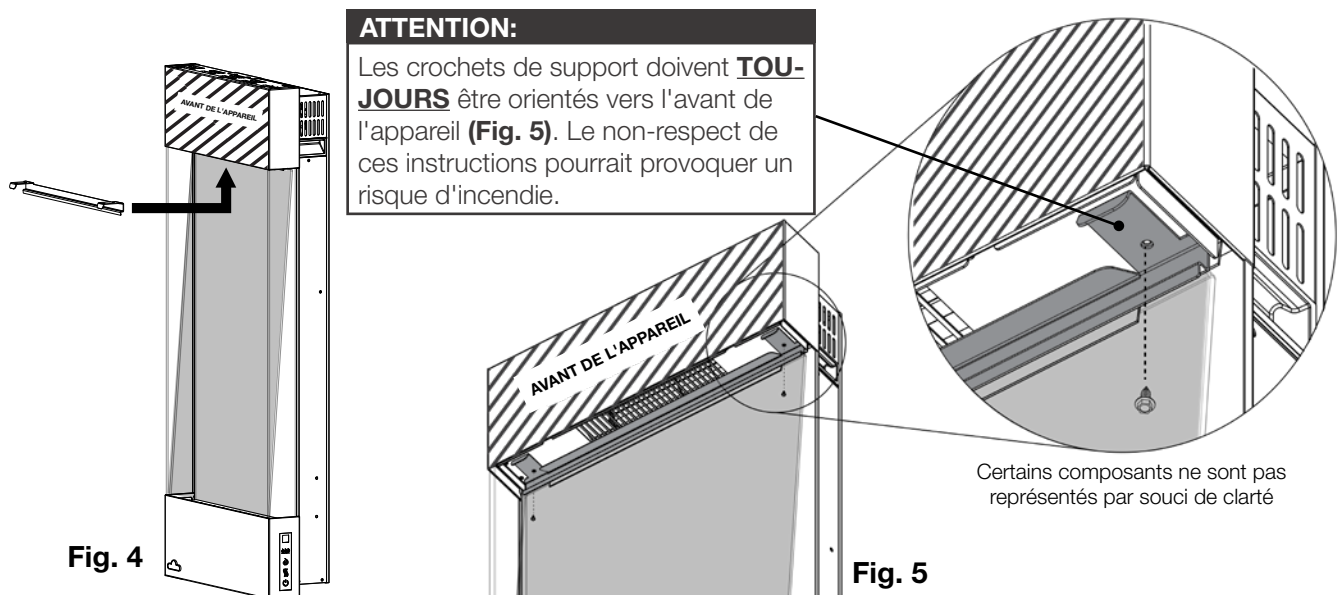
## ⚠ AVERTISSEMENT

- Le matériau de finition ou de protection ne doit pas obstruer la circulation de l'air à travers les ouvertures et les grilles d'aération, le fonctionnement des grilles ou des portes, ou l'accès prévu pour l'entretien. Respecter l'espace minimum requis en cas d'utilisation de matières combustibles.
- Avant de retirer la porte, éteindre l'appareil et attendre qu'il soit froid au toucher. Les portes sont lourdes et fragiles. Elles doivent donc être manipulées avec soin.

1. Retirer le support de retenue en dévissant les 2 vis (**Fig. 1**). **Noter l'orientation du support de retenue.**
2. Positionner la vitre sur le rail situé dans le foyer (**Fig. 2**).
3. Poussez le haut de la vitre contre le haut du panneau en plastique (**Fig. 3**).

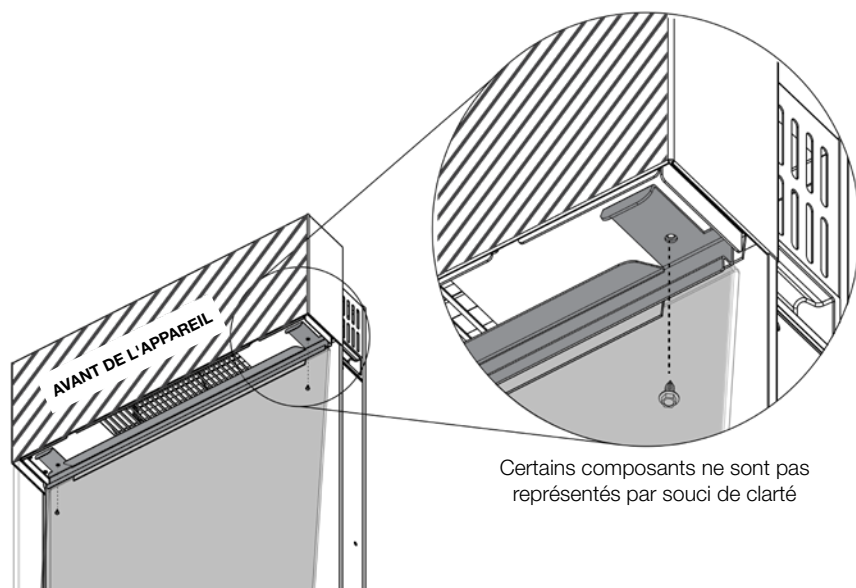


4. Installer le support de retenue au sommet de l'appareil comme indiqué, en utilisant les 2 vis retirées lors de l'étape 1 (**Fig. 4 et 5**). **La vitre doit être immobile une fois l'installation terminée.**



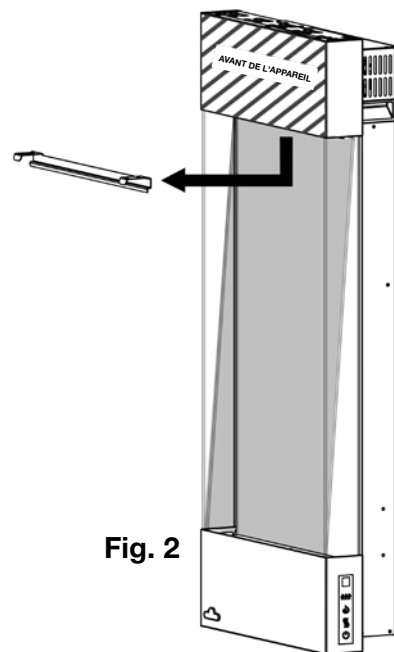
## 3.3 retrait de la porte vitrée

1. Retirer le support de retenue en dévissant les 2 vis (**Fig. 1 et 2**). Mettre les vis de côté. Gardez le support à portée de main pour l'étape 2.



**Fig. 1**

Certains composants ne sont pas représentés par souci de clarté



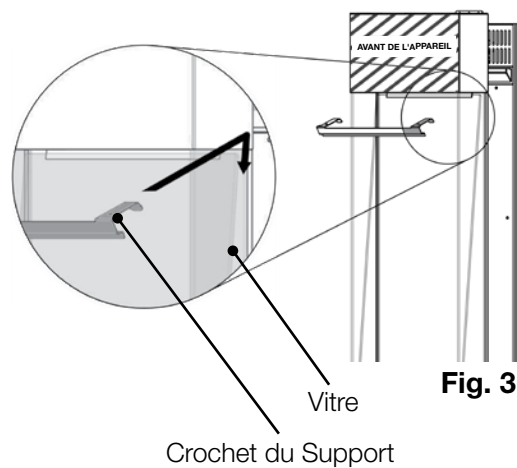
**Fig. 2**

2. Pour un retrait facile, utiliser les crochets du support pour atteindre l'arrière de la vitre et la tirer vers l'avant (**Fig. 3**).

**ATTENTION:**

L'utilisation du support de cette manière est uniquement recommandée pour faciliter le retrait. Lors de l'installation du support, les crochets doivent **TOUJOURS** être orientés vers l'avant de l'appareil (voir la section « installation de la porte vitrée »). Le non-respect de ces instructions pourrait provoquer un risque d'incendie.

3. Retirer la vitre et la placer sur une surface douce et non abrasive.

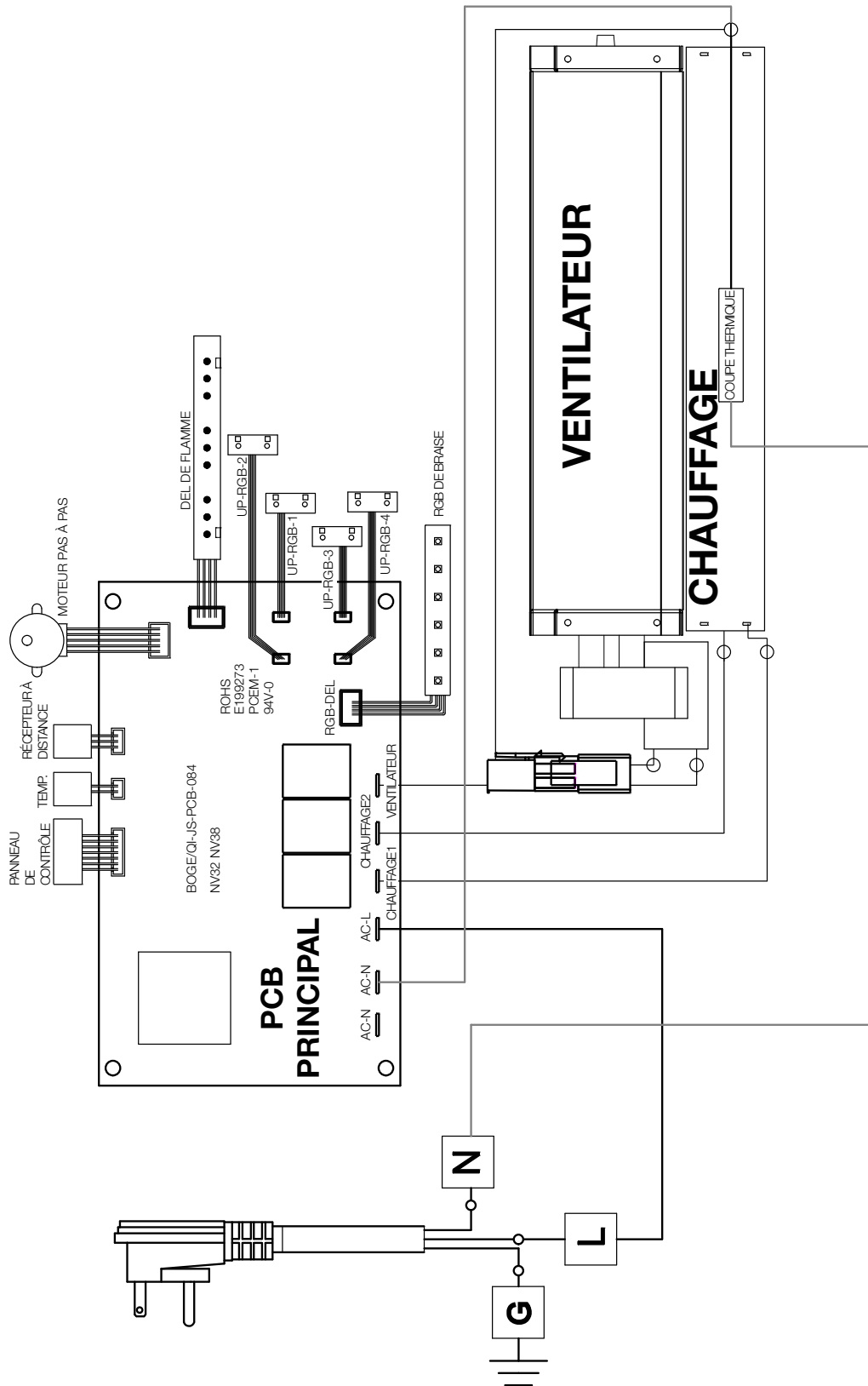


**Fig. 3**

## 4.1 schéma de câblage

### **AVERTISSEMENT**

- Avant tout entretien, éteindre l'appareil et attendre qu'il refroidisse. L'entretien et la réparation de cet appareil électrique ne doivent être effectués que par un professionnel.



# caractéristiques électriques

FR

## 4.2 installation du raccordement câblé

### **AVERTISSEMENT**

- Avant tout entretien, éteindre l'appareil et attendre qu'il refroidisse. L'entretien et la réparation de cet appareil électrique ne doivent être effectués que par un professionnel.

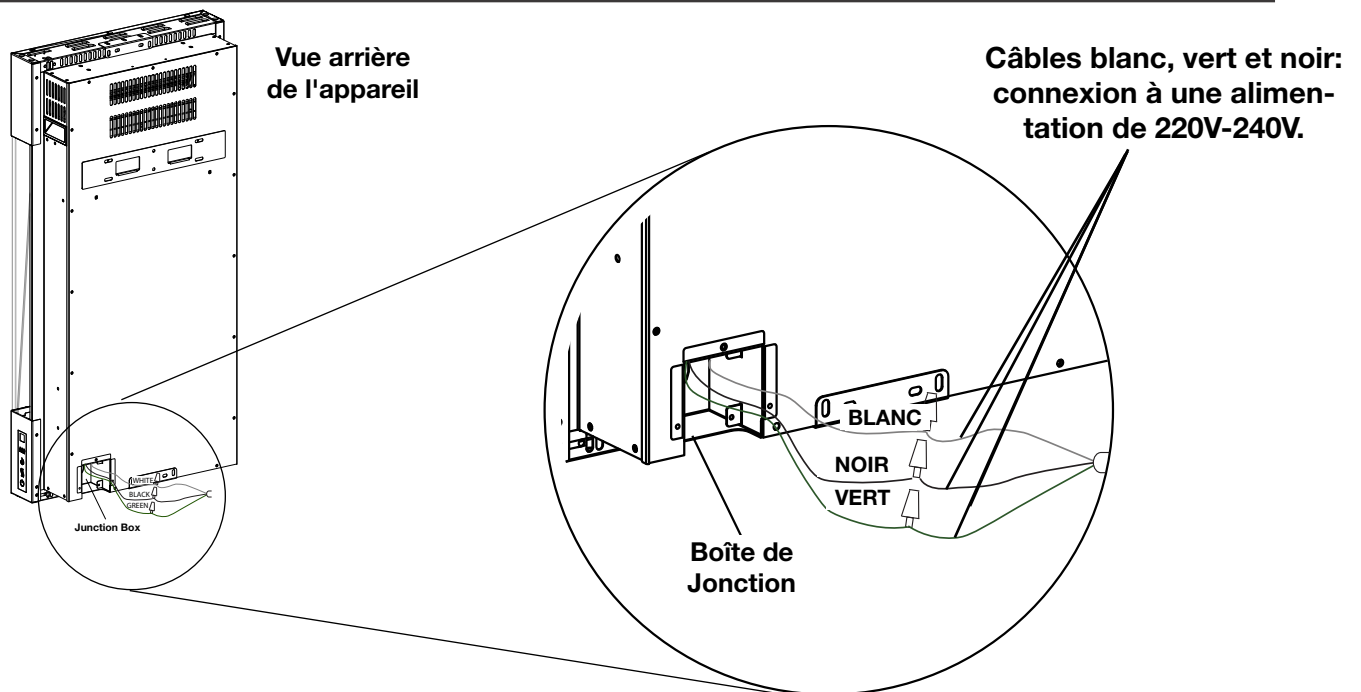
#### **CONNEXION DU RACCORDEMENT CÂBLÉ**

S'il est nécessaire d'installer cet appareil avec un raccordement câblé, un électricien qualifié doit retirer le cordon d'alimentation et raccorder l'appareil directement au circuit électrique domestique. Le câble et le disjoncteur doivent supporter une alimentation de 220V-240V minimum et 15 A.

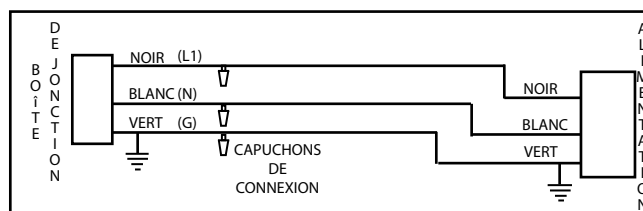
S'il est câblé, l'appareil doit être raccordé au circuit électrique et mis à la terre conformément aux réglementations locales.

#### **Remarque:**

La jonction de l'appareil compte 3 câbles: un blanc (neutre), un noir (alimentation L1) et un vert (terre) qui se connectent à une alimentation de 220V-240V (panneau disjoncteur). Voir ci-dessous.



- Retirer les 4 vis de sécurité de la plaque du compartiment électrique, située en bas à gauche de l'appareil (lorsque vous regardez la face arrière).
- Installer le serre-câble sur la plaque du compartiment électrique (situé dans le sac du raccordement).
- Séparer les câbles noir, blanc et vert dotés de capuchons de connexion.
- Retirer les capuchons et fixer le câble noir (alimentation L1) de l'appareil au fil noir (alimentation L1) de l'alimentation électrique. Connecter le câble blanc de l'appareil au fil blanc (neutre) de l'alimentation électrique. Connecter le câble vert au fil de terre.
- Fixer à nouveau la plaque du compartiment électrique.









## AVERTISSEMENT

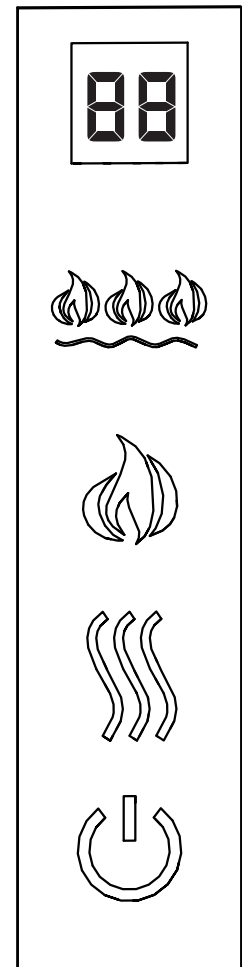
- Il est nécessaire de s'assurer que les disjoncteurs d'alimentation du domicile sont en marche (vers le haut). Lors du premier branchement de l'appareil à une source d'alimentation, celui-ci réalise une vérification des LED. L'appareil clignote pendant 5 secondes.

Une fois branché à une prise mise à la terre ou raccordé par câble à une source d'alimentation dédiée de 220V-240V, l'appareil est prêt à être utilisé.

### 5.1 utilisation du panneau de commande

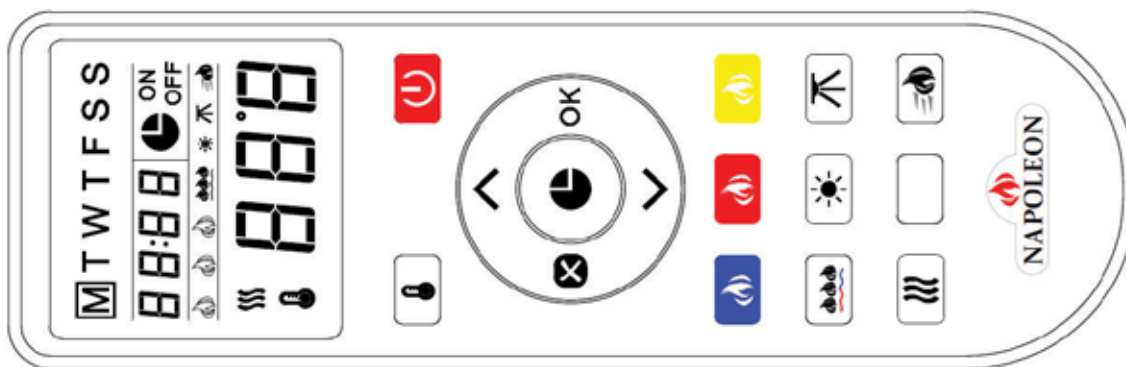
Le panneau de commande est situé sur le côté droit de l'appareil (lorsque vous lui faites face).





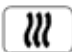


<b>Alimentation</b>		Allume/éteint l'appareil.
<b>Lit de Braises</b>		Contrôle la lumière du lit de braises.  <b>Modes:</b> L0 - Lit de braises éteint L1 - Blanc L2 - Bleu L3 - Vert L4 - Rouge L5 - Jaune L6 - Violet L7 - Alternance automatique entre blanc, bleu, vert, rouge, jaune et violet. <b>(Remarque: Le passage d'une couleur à l'autre prend 8,5 secondes.)</b> L8 - Verrouillage de la couleur souhaitée
<b>Contrôle de la Flamme</b>		Contrôle la flamme.  <b>8 Modes:</b> 00 - Flamme éteint 01 - Flamme orange 02 - Flamme jaune 03 - Flamme bleu 04 - Flamme jaune / orange 05 - Flamme orange / bleu 06 - Flamme jaune / bleu 07 - Flamme jaune / orange / bleu
<b>Commande F° / C°</b>		Change l'unité de température de Fahrenheit à Celsius, et inversement. Appuyer sur le bouton de la flamme pendant 5 secondes.
<b>Réglage du Chauffage</b>		Allume/éteint le chauffage et la soufflerie.  <b>4 Modes:</b> H0 - Chauffage et soufflerie éteints bL - Soufflerie allumée H1 - Chaleur basse H2 - Chaleur élevée
<b>Verrouillage du Chauffage</b>		Le bouton du chauffage peut être verrouillé ou déverrouillé en appuyant dessus pendant 5 secondes.







# mode d'emploi





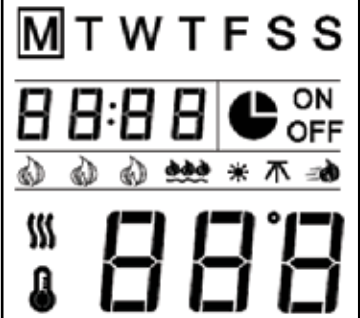
## FR 5.2 utilisation de la télécommande







<b>Alimentation</b>		Allume/éteint l'appareil.
<b>Flamme Bleu</b>		Contrôle l'intensité lumineuse de la flamme. <b>Modes:</b> F0 - Flamme éteinte F1 - Intensité basse de la flamme F2 - Intensité moyenne de la flamme F3 - Intensité forte de la flamme F4 - Intensité maximale de la flamme
<b>Flamme Orange</b>		
<b>Flamme Jaune</b>		
<b>Chauffage</b>		Allume/éteint le chauffage et la soufflerie. <b>Modes:</b> H0 - Chauffage et soufflerie éteints bL - Soufflerie allumée H1 - Chaleur basse H2 - Chaleur élevée
<b>Vitesse de la Flamme</b>		Contrôle la vitesse de mouvement de la flamme. Il existe 5 réglages de vitesse de la flamme: 01 (la plus lente), 02, 03, 04, et 05 (la plus rapide).
<b>Lumière Supérieure</b>		Contrôle la lumière supérieure. <b>Modes:</b> d0 - Lit de braises éteint d8 - Blanc d7 - Bleu d6 - Vert d5 - Rouge d4 - Jaune d3 - Violet d2 - Alternance automatique entre blanc, bleu, vert, rouge, jaune et violet. <b>(Remarque: Le passage d'une couleur à l'autre prend 8,5 secondes.)</b> d1 - Verrouillage de la couleur souhaitée

<b>Couleur du Lit de Braises</b>		Contrôle la lumière du lit de braises. <b>Modes:</b> L0 - Lit de braises éteint L1 - Blanc L2 - Bleu L3 - Vert L4 - Rouge L5 - Jaune L6 - Violet L7 - Alternance automatique entre blanc, bleu, vert, rouge, jaune et violet. <b>(Remarque: Le passage d'une couleur à l'autre prend 8,5 secondes.)</b> L8 - Verrouillage de la couleur souhaitée
<b>Intensité Lumineuse du Lit de Braises</b>		Contrôle l'intensité lumineuse du lit de braises. <b>Modes:</b> b1 - Intensité basse b2 - Intensité moyenne b3 - Intensité forte b4 - Intensité maximale
<b>Programmeur</b>		Il existe 10 réglages du programmeur: 00, 30 min, 1h, 2h, 3h, 4h, 5h, 6h, 7h, 8h.
<b>Contrôle de la Température</b>		Il existe 7 réglages de la température: 61°F [16°C], 64°F [18°C], 70°F [21°C], 75°F [24°C], 81°F [27°C], 85°F [29°C], et OFF.



### 5.3 réglages du programmeur sur la télécommande

 <b>Programmeur:</b> Affiche le jour, l'heure et la semaine. Appuyer pour régler ou confirmer les paramètres du programmeur.		
<b>OK</b> <b>Réglages:</b> Appuyer pour passer à l'étape suivante (à utiliser avec le bouton Programmeur). Appuyer pour confirmer la programmation hebdomadaire.		
 <b>Retour:</b> Appuyer pour effacer les réglages du programmeur. Appuyer pour revenir à l'étape précédente (à utiliser avec le bouton Réglages).		
 <b>Haut et Bas:</b> À utiliser avec le bouton Réglages.		
<b>Écran LCD</b>		
<b>Jour de la Semaine:</b> _____ Mon. (lundi), Tues. (mardi), Wed. (mercredi), Thurs. (jeudi), Fri. (vendredi), Sat. (samedi), Sun. (dimanche)		<b>Remarque:</b> Ces fonctionnalités ne peuvent être modifiées que lorsque les lettres ou chiffres correspondants clignotent.  <b>Remarque:</b> Définir le programmeur sur l'heure actuelle avant de modifier les réglages hebdomadaires.
<b>Affichage de l'Heure:</b> _____		
Heure/programmeur de 00:00 à 24:00 <b>Remarque: 00-12:00 représente le matin / 13:00 - 24:00 représente l'après-midi/le soir.</b>		




#### 5.3.1 réglage de la date et l'heure

1. Appuyer une fois sur . Lorsque « MON » (lundi) se met à clignoter, utiliser  pour sélectionner le jour actuel. Appuyer sur OK pour confirmer.
2. Lorsque les chiffres de l'heure se mettent à clignoter, utiliser  pour sélectionner l'heure actuelle. Appuyer sur OK pour confirmer.
3. Lorsque les chiffres des minutes se mettent à clignoter, utiliser  pour sélectionner les minutes actuelles. Appuyer sur OK pour confirmer.



#### 5.3.2 réglage es temps d'allumage et de la température par cycle hebdomadaire

1. Appuyer une fois sur . Lorsque « MON » (lundi) se met à clignoter, utiliser  pour sélectionner le jour actuel. Appuyer sur OK pour confirmer.

**Remarque:**  
Le programmeur ne peut être réglé que par intervalles de 30 minutes (par ex.: 00 h 00 - 00 h 30, 00 h 30 - 01 h 00, etc.)

2. Lorsque --:-- se met à clignoter, utiliser  pour sélectionner l'heure à laquelle allumer le chauffage. Appuyer sur OK pour confirmer. Appuyer à tout moment sur  pour effacer les chiffres et désactiver le mode « ON » du programmeur.
3. Lorsque « 18 » se met à clignoter, utiliser  pour sélectionner la température à laquelle allumer le chauffage de lundi.

**Remarque:**  
Si la température a déjà configurée, les chiffres correspondants s'afficheront à la place de « 18 ».

4. Lorsque --:-- se met à clignoter, utiliser  pour sélectionner l'heure à laquelle éteindre le chauffage. Appuyer sur OK pour confirmer. Appuyer à tout moment sur  pour effacer les chiffres et désactiver le mode « OFF » du programmeur.

5. Répéter les étapes 1 à 4 pour régler les temps de marche/arrêt et la température pour le mardi, mercredi, jeudi, vendredi, samedi et dimanche.
6. Appuyer sur OK pour valider la programmation, en pointant la télécommande sur le récepteur situé au centre de l'appareil. L'appareil émet un « bip » pour confirmer que la programmation a été enregistrée.

## 5.4 détection de fenêtre ouverte

Si la température de la pièce baisse de 10 degrés en l'espace de 3 minutes, l'appareil considère qu'une fenêtre est ouverte à proximité. Afin d'économiser de l'énergie, le chauffage passe automatiquement d'une chaleur élevée à une chaleur basse, ou bien s'éteint s'il est déjà réglé sur une chaleur basse.

Lorsqu'il passe du réglage High Heat (chaleur élevée) à Low Heat (chaleur basse), l'appareil émet 3 bips et le message « 88 » clignote trois fois sur l'écran numérique. Ensuite, le nouveau réglage du chauffage s'affiche.

Lorsqu'il est réglé sur une chaleur basse et qu'il s'éteint, l'appareil émet 3 bips et le message « 88 » clignote en continue sur l'écran numérique.

Pour réinitialiser la fonction de chauffage, consulter la section « utilisation de la télécommande ».



### **AVERTISSEMENT**

- Omettre de positionner les pièces conformément à ce manuel ou d'utiliser uniquement des pièces spécifiquement approuvées pour cet appareil peut causer des dommages matériels ou des blessures corporelles.

Contactez votre détaillant pour les questions concernant les prix et la disponibilité des pièces de remplacement. Normalement, toutes les pièces peuvent être commandées chez votre détaillant autorisé.

**Pour un remplacement de pièce sous garantie, une photocopie de la facture originale sera requise afin de pouvoir honorer la demande.**

Lorsque vous commandez des pièces, donnez toujours l'information suivante:

- Modèle et numéro de série de l'appareil
- Date d'installation de l'appareil
- Numéro de la pièce
- Description de la pièce
- Fini

**Pièces, numéro des pièces et s'il soit disponible peut changer sans préavis.**

**Parties identifiées comme garnie seront livrés dans 2 à 5 jours pour la plupart des destinations de livraison.**

**Pièces non identifiées que stockés seront livrés dans un délai de 2 à 4 semaines pour la plupart des cas.**

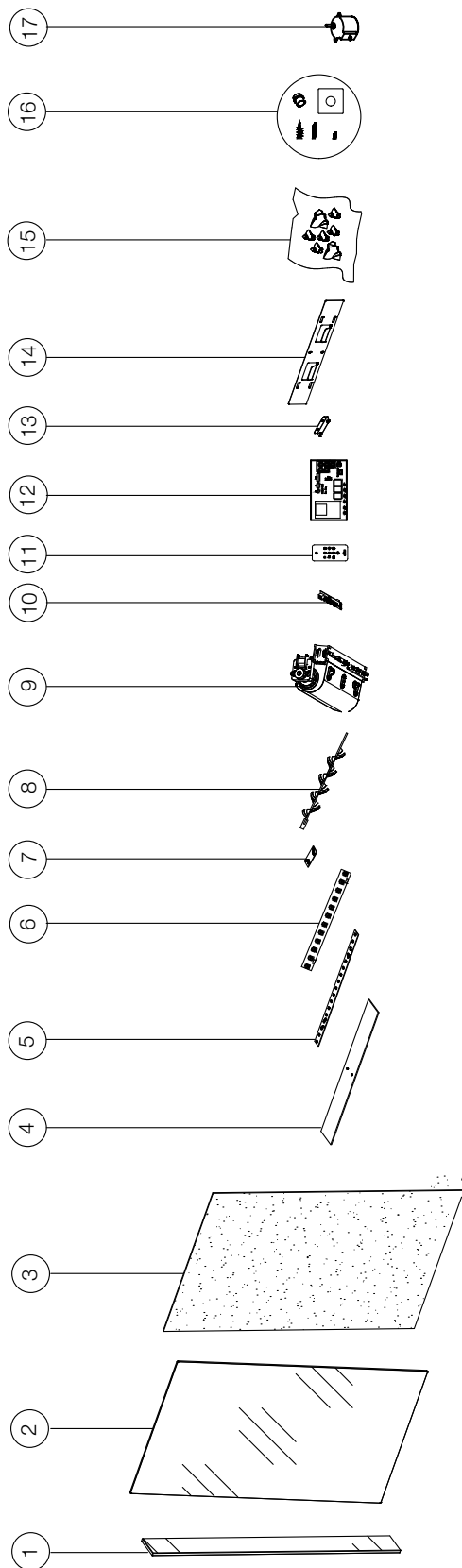
**Pièces identifiées comme « SO » sont commande spéciale et peuvent prendre jusqu'à 90 jours pour la livraison.**

Pour contacter le service après-vente, composer le +31 (0) 88 588 655.

#### **Remarque:**

Le verre cassé ou les composants endommagés doivent être retirés et jetés avec précaution. À l'aide d'un aspirateur, retirer tout éclat de verre restant avant d'utiliser l'appareil.

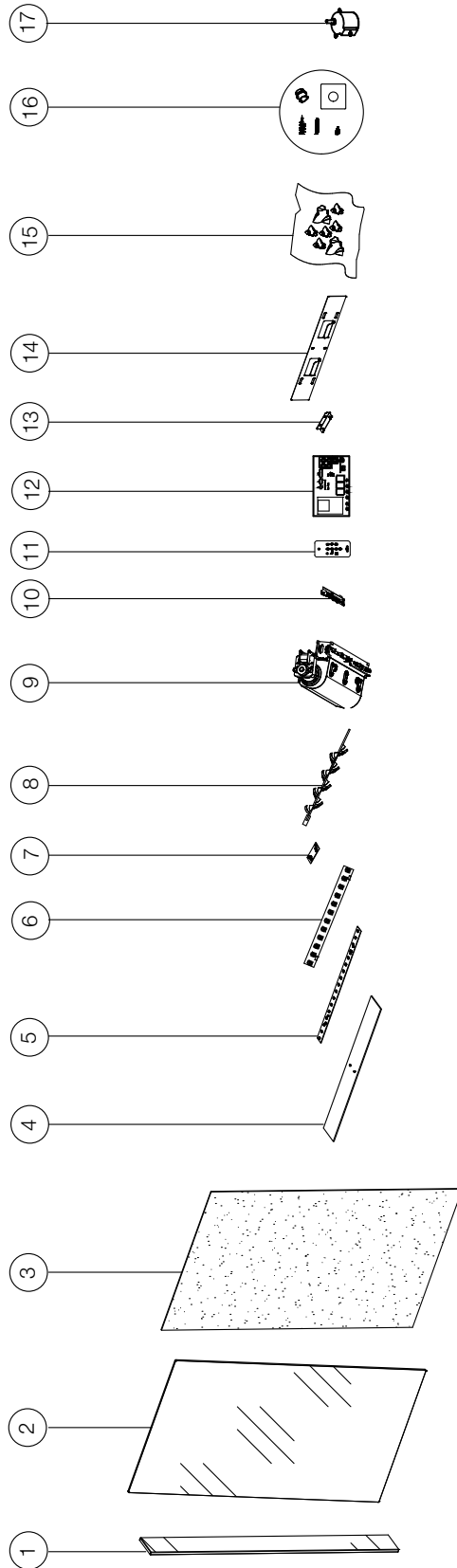
## 6.1 vue d'ensemble des pièces pour le modèle NEFVC32H-EU



Ces articles peuvent différer de ceux illustrés.

Réf.	N° de Pièce	Description	En Stock	Réf.	N° de Pièce	Description	En Stock
1	W300-0285-SER	Verre latérale	Oui	9	W010-4999	Assemblage de chauffage et ventilateur	Oui
2	W300-0287-SER	Verre avant	Oui	10	W475-1593-SER	Panneau de contrôle	Oui
3	W475-1591-SER	Écran de projection, panneau en plastique	Oui	11	W190-0219	Télécommande	Oui
4	W497-0050-SER	Bande en plastique	Oui	12	W190-0220	Carte PCB principale	Oui
5	W405-0069-SER	Lumière LED du lit de braises	Oui	13	W080-1890-SER	Support de fixation supérieur/inferieur	Oui
6	W405-0068-SER	Lumière LED de flamme	Oui	14	W080-1889-SER	Support de fixation arrière	Oui
7	W405-0070-SER	Lumière LED supérieure	Oui	15	G497-0004	Cristaux sombres	Oui
8	W527-0031-SER	Réflecteur	Oui	16	W370-0146-SER	Ensemble de quincaillerie	Oui
				17	W435-0090-SER	Moteur pas à pas	Oui

6.2 vue d'ensemble des pièces pour le modèle NEFVC38H-EU



Ces articles peuvent différer de ceux illustrés.

Ref.	N° de Pièce	Description	En Stock	Ref.	N° de Pièce	Description	En Stock
1	W300-0286-SER	Verre latérale	Oui	10	W475-1593-SER	Panneau de contrôle	Oui
2	W300-0288-SER	Verre avant	Oui	11	W190-0221	Télécommande	Oui
3	W475-1592-SER	Écran de projection, panneau en plastique	Oui	12	W190-0222	Carte PCB principale	Oui
4	W497-0050-SER	Bande en plastique	Oui	13	W080-1890-SER	Support de fixation supérieur/intérieur	Oui
5	W405-0069-SER	Lumière LED du lit de braises	Oui	14	W080-1889-SER	Support de fixation arrière	Oui
6	W405-0068-SER	Lumière LED de flamme	Oui	15	G497-0004	Cristaux sombres	Oui
7	W405-0070-SER	Lumière LED supérieure	Oui	16	W370-0146-SER	Ensemble de quincaillerie	Oui
8	W527-0031-SER	Réflecteur	Oui	17	W435-0090-SER	Moteur pas à pas	Oui
9	W010-5000	Assemblage de chauffage et ventilateur	Oui				

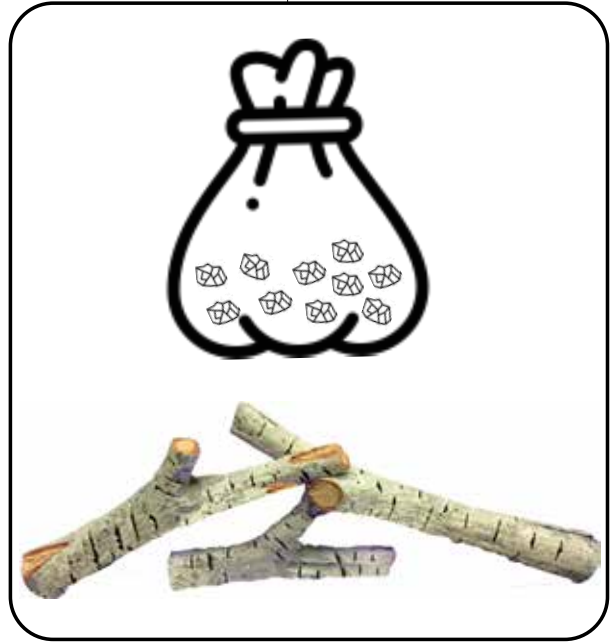
## 7.0 accessoires

FR

1



2



Ces articles peuvent différer de ceux illustrés.

Réf.	N° de Pièce	Description	En Stock
1	NEF-DRAK32	Kit, bûches de bois flotté avec roches de rivière	Oui
2	NEF-BLCAK32	Kit, bûches de bouleau avec cristaux clairs	Oui

## AVERTISSEMENT

- Coupez l'alimentation électrique à l'appareil et laissez-le refroidir avant d'effectuer un entretien. Seulement un technicien de service qualifié peut effectuer l'entretien ou la réparation de cet appareil électrique.

symptôme	problème	solution
L'appareil ne s'allume pas lorsque l'interrupteur est mis à « on ».	L'appareil n'est pas branché dans une prise de courant.	Vérifiez la prise, et branchez dans l'appareil si nécessaire.
	Branchement par câble sont incorrectes.	Voir la section « branchement par câble ».
	L'appareil a surchauffé et le dispositif de sécurité a entraîné le déclenchement de l'interrupteur thermique.	Débranchez l'appareil et le disjoncteur, laissez-le refroidir pendant 15 minutes, puis branchez l'appareil ou allumez le disjoncteur.
	Issue avec le panneau PCB principal.	Inspectez la carte de circuit imprimé et remplacez-le si nécessaire.
L'appareil s'éteint et ne se rallume pas.	Le disjoncteur de la maison s'est déclenché.	Réinitialisez le disjoncteur.
	Le fusible de l'appareil a éteint.	Remplacez le fusible.
	L'appareil a surchauffé et le dispositif de sécurité a entraîné le déclenchement de l'interrupteur thermique.	Débranchez l'appareil et le disjoncteur, laissez-le refroidir pendant 15 minutes, puis branchez l'appareil ou allumez le disjoncteur.
L'appareil est revenue à les paramètres par défaut.	Panne de courant.	Reprogramme l'appareil au paramètres d'origine (pas applicable avec tous les appareils).
La télécommande ne fonctionne pas.	Les piles sont faibles.	Remplacez les piles de la télécommande.
	Dysfonctionnement du récepteur à distance.	Assurez-vous que le récepteur à distance n'est pas bloqué. Remplacez le panneau.
L'appareil n'émet aucune chaleur.	Réglage du chauffage n'est pas sélectionné.	Voir la section « fonctionnement ».
	Le chauffage a été verrouillé.	Voir la section « fonctionnement ».
	La température ambiante est plus élevée que le réglage de l'appareil (si réglée au température de la chambre).	Réinitialisez le réglage pour la température.
	L'appareil a surchauffé et le dispositif de sécurité a entraîné le déclenchement de l'interrupteur thermique.	Débranchez l'alimentation ou éteignez le disjoncteur. Laissez l'appareil refroidir pendant 15 minutes.
	Branchement par câble sont incorrectes.	Voir la section « branchement par câble ».
	Problème avec le chauffage.	Inspectez la soufflerie and le chauffage, et les remplacez si nécessaire.
La chauffage s'éteint automatiquement.	La salle est trop chaude.	L'appareil est équipé d'un thermostat intégré et s'éteindra automatiquement lorsque la température programmée sera atteinte. Il s'allumera automatiquement lorsque la température de la pièce descendra en dessous de la température programmée.

# guide de dépannage

FR

<b>symptôme</b>	<b>problème</b>	<b>solution</b>
La luminosité du jeu de flammes est faible ou inexistante.	Éclat de flamme n'est pas sélectionné.	Voir la section « fonctionnement ».
	Problème avec les flamme DELs.	Vérifiez les DELs et remplacez-les si nécessaire.
	Problème avec le panneau PCB principal.	Vérifiez le panneau PCB principal et remplacez-le si nécessaire.
La flamme ne bouge pas.	Le moteur est calé / ne fonctionne pas	Cycle de marche / arrêt. Si le problème persiste, consultez votre détaillant.
Le lit de braises s'aillumine pas ou ne diminue pas en luminosité.	Luminosité n'est pas sélectionné.	Voir la section « fonctionnement ».
	Problème avec les DEL de braises.	Vérifiez les DEL de braises et remplacez-les si nécessaire.
	Problème avec le panneau PCB principal.	Vérifiez la panneau PCB principal et remplacez-le si nécessaire.
DEL clignote « OH ».	L'appareil a surchauffé et le dispositif de sécurité a entraîné le déclenchement de l'interrupteur thermique.	Débranchez l'appareil et le disjoncteur, laissez-le refroidir pendant 15 minutes, puis branchez l'appareil ou allumez le disjoncteur. Si le problème persiste, consultez votre détaillant.

**Les appareils électriques Napoleon** sont fabriqués dans le respect de la norme mondialement reconnue ISO 9001:2015 sur les systèmes de gestion de la qualité.

**Les produits Napoleon** sont fabriqués à partir de composants et de matériaux de qualité supérieure. Ils sont assemblés par des artisans expérimentés, qui sont fiers de leur travail. Une fois assemblé et avant d'être emballé, l'appareil est minutieusement inspecté par un installateur, une agence de service ou un fournisseur qualifié(e) et agréé(e) pour s'assurer que le client reçoit le niveau de qualité qu'il attendait de la part de son produit **Napoleon**.

### Garantie limitée des appareils électriques Napoleon

Les composants électriques et les pièces d'usure sont couverts : **Napoleon** fournira gratuitement les pièces de rechange au cours des 2 premières années de la garantie limitée. Cela s'applique aux : ventilateurs/éléments chauffants, moteurs, interrupteurs, composants de nylon, télécommandes et lampes LED.\*

Les ampoules et les fusibles **NE SONT PAS** couverts par la garantie.

Toute main-d'œuvre liée à une réparation sous garantie n'est pas couverte.

\* La fabrication des modèles varie. La garantie ne s'applique qu'aux composants inclus dans votre appareil spécifique.

### Conditions et restrictions

**Napoleon** garantit ses produits contre tout défaut de fabrication uniquement à son client d'origine. Il n'est pas nécessaire d'enregistrer votre garantie. Il vous suffit de fournir une preuve d'achat, ainsi que le modèle et le numéro de série pour faire une réclamation sous garantie. Si l'achat a été effectué auprès d'un détaillant **Napoleon** agréé, votre appareil est soumis aux conditions et restrictions suivantes :

La couverture de la garantie commence à la date de la première installation.

Cette garantie constructeur n'est pas cessible et ne peut pas être prolongée, de quelque manière que ce soit, par l'un de nos représentants.

L'installation doit être réalisée conformément aux instructions d'installation fournies avec le produit, ainsi qu'à tous les codes régionaux et nationaux de construction et des incendies.

Cette garantie limitée ne couvre pas les dommages résultant d'une mauvaise utilisation, d'un manque d'entretien, d'un accident, d'altérations, d'abus ou de négligence. Si des pièces sont installées par d'autres fabricants, cette garantie devient nulle.

Cette garantie limitée ne couvre pas non plus les rayures, les bosselures, la corrosion ou la décoloration résultant d'une chaleur excessive, de nettoyants chimiques et abrasifs, ni les éclats sur les pièces en émail vitrifié ou toute faille mécanique des bûches PHAZER™.

Au cours des deux premières années seulement, cette garantie s'étend à la réparation ou au remplacement de pièces sous garantie qui s'avèrent être défectueuses en termes de matériaux ou de fabrication, sous réserve que le produit ait été utilisé conformément aux instructions d'utilisation et dans des conditions normales.

**Napoleon** n'est pas responsable de l'installation, de la main-d'œuvre ou de toute autre dépense liée à la réinstallation d'une pièce sous garantie. De telles dépenses ne sont pas couvertes par la garantie. Nonobstant toute disposition prévue dans la garantie limitée, la responsabilité de **Napoleon** au titre de cette garantie est définie comme ci-dessus, et elle ne peut s'appliquer en aucune façon à des dommages accessoires, immatériels ou indirects.

Cette garantie définit les obligations et la responsabilité de **Napoleon** à l'égard de l'appareil électrique **Napoleon** et de toute autre garantie formelle ou tacite vis-à-vis de ce produit ; ses composants ou accessoires sont exclus.

**Napoleon** n'assume aucune autre obligation et n'autorise aucun tiers à assumer d'autres obligations en son nom au titre de la vente de ce produit.

Tout dégât causé à l'appareil, à la garniture en laiton ou à d'autres composants par de l'eau, des intempéries, de longues périodes d'humidité, de la condensation, des produits chimiques ou des nettoyants n'est pas de la responsabilité de **Napoleon**.

**Napoleon** se réserve le droit de demander à l'un de ses représentants d'inspecter un produit ou une pièce du produit avant d'honorer une demande de garantie.

Toutes les pièces remplacées sous la politique de garantie limitée doivent faire l'objet d'une seule réclamation.

Toutes les pièces remplacées sous la garantie sont couvertes pendant 90 jours à compter de la date de leur installation.

Le fabricant peut exiger que les pièces ou les produits défectueux soient renvoyés, ou que des photos numériques soient fournies lors de la réclamation. Les produits retournés doivent être expédiés port payé au fabricant pour enquête. S'il s'avère qu'un produit est défectueux, le fabricant assurera la réparation ou le remplacement du produit.

Avant d'expédier votre appareil ou ses composants défectueux, votre détaillant doit obtenir un numéro d'autorisation. Toute marchandise expédiée sans autorisation sera refusée et retournée à l'expéditeur.

Les frais de livraison ne sont pas couverts par cette garantie.

Des frais de service supplémentaires peuvent s'appliquer si vous utilisez le service de garantie d'un détaillant.

Toutes les caractéristiques et les designs peuvent varier sans préavis en raison d'améliorations continues des produits. **Napoleon** est une marque déposée de Wolf Steel Ltd.

# NAPOLÉON EST FIER D'AMÉLIORER LE CONFORT DE VOTRE MAISON DEPUIS PLUS DE 40 ANS



## WEEE :



**Signification du logo de poubelle barrée:**

**Ne pas jeter les appareils électriques dans les ordures ménagères non sujettes au tri sélectif. Utiliser des points de collecte adaptés. Contacter la collectivité locale pour connaître les modalités de tri sélectif. Si les appareils électriques sont jetés dans une décharge non surveillée, des substances toxiques peuvent s'infiltrer dans le sol, atteindre les nappes phréatiques et contaminer la chaîne alimentaire, menaçant alors la santé humaine.**

**Lors de l'achat d'un nouvel appareil, le vendeur est tenu de reprendre gratuitement l'ancien et de se charger lui-même du dépôt en déchetterie.**



7200, Route Transcanadienne, Montréal, Québec H4T 1A3  
24 Napoleon Road, Barrie, Ontario, Canada L4M 0G8  
214 Bayview Drive, Barrie, Ontario, Canada L4N 4Y8  
103 Miller Drive, Crittenden, Kentucky, États-Unis 41030  
De Riemsdijk 22, 4004 LC Tiel, Pays-Bas  
napoleon.com

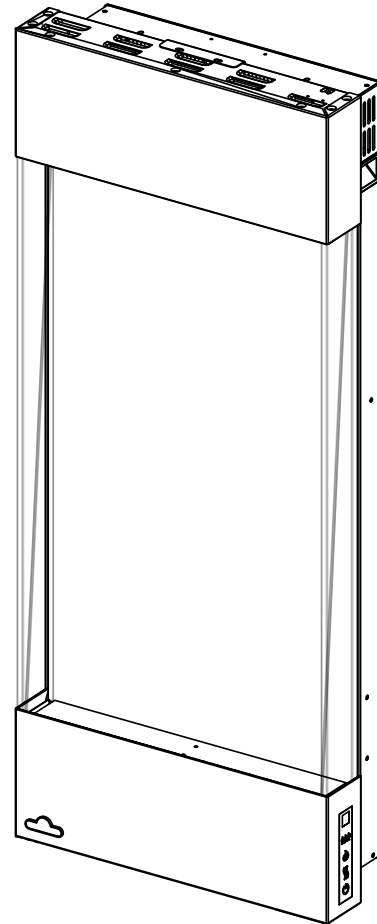




# INSTALLATIONS- UND BETRIEBSHANDBUCH

## Allure™ Vertical Series

(NEFVC38H-EU abgebildet)



### SICHERHEITSINFORMATIONEN

#### ⚠️ WARNUNG

#### BRAND- ODER EXPLOSIONSGEFAHR

Wenn die Informationen in diesen Anweisungen nicht genau befolgt werden, kann es zu einem Brand oder einer Explosion kommen, die Sachschäden, Personenschäden oder den Tod zur Folge haben kann.

– Lagern oder verwenden Sie kein Benzin oder andere entzündliche Gase und Flüssigkeiten in der Nähe dieses oder eines anderen Geräts.

#### INSTALLATEUR:

Bewahren Sie dieses Handbuch in der Nähe des Geräts auf

#### VERBRAUCHER:

Bewahren Sie dieses Handbuch zum künftigen Nachschlagen auf

**ZUR AUSSCHLIESSLICHEN VERWENDUNG  
IN INNENRÄUMEN**



SERIENNUMMER VOM KARTON AUFBRINGEN



Seriennr. XXXXXX000000  
MODELL-NR.

Wolf Steel Europe BV  
De Riemsdijk 22, 4004 LC Tiel, Niederlande

## **WARNUNG**

- **Falls das Gerät mit einer Heizung ausgestattet ist, kann es während des Betriebs heiß werden. Bei Berührung kann es zu schweren Verbrennungen kommen.**
- Betreiben Sie das Gerät erst, wenn Sie die Betriebsanweisungen gelesen und verstanden haben. Wenn Sie das Gerät nicht entsprechend den Betriebsanweisungen betreiben, kann es zu Bränden oder Verletzungen kommen.
- Montieren Sie keine beschädigten, unvollständigen oder Ersatzkomponenten.
- Verbrennen Sie kein Holz oder andere Materialien in diesem Gerät.
- Alle Elektrogeräte besitzen im Innern heiße und funkenbildende Teile. Verwenden Sie sie nicht in Bereichen, in denen es Gasleitungen, Farbe oder brennbare Flüssigkeiten gibt.
- Werden Schutzscheiben oder -gitter zwecks Wartung entfernt, müssen diese vor erneuter Inbetriebnahme des Geräts wieder angebracht werden.
- Das Fach mit den Bedienelementen, das Umwälzgebläse und seine Öffnungen im Gerät müssen unbedingt sauber gehalten werden. Das Gerät ist vor der Benutzung und mindestens einmal jährlich von qualifiziertem Servicepersonal zu prüfen. Bei übermäßigem Vorhandensein von Fusseln von Teppichen, Bettwäsche etc. ist möglicherweise eine häufigere Reinigung erforderlich. Der Gerätebereich ist frei von brennbaren Materialien, Benzin und anderen entzündlichen Gasen und Flüssigkeiten zu halten.
- Dieses Gerät darf unter keinen Umständen modifiziert werden.
- Verwenden Sie dieses Gerät nicht, wenn eines seiner Teile mit Wasser in Berührung gekommen ist. Rufen Sie umgehend einen qualifizierten Servicetechniker an, damit er das Gerät prüft und die Teile des Kontrollsystems, die mit Wasser in Berührung gekommen sind, austauscht.
- Betreiben Sie Geräte mit Glastüren nicht, wenn die Glasscheibe entfernt wurde, gesprungen oder zerbrochen ist. Das Glas ist von lizenziertem oder qualifiziertem Servicepersonal auszutauschen. Schlagen oder knallen Sie die Glastür des Geräts nicht zu.
- Bewahren Sie das Verpackungsmaterial außerhalb der Reichweite von Kindern auf, und entsorgen Sie es auf sichere Art und Weise. Wie alle Plastiktüten sind sie kein Spielzeug und müssen von Kindern ferngehalten werden.
- Während der Wartung muss das Gerät von der Stromversorgung getrennt sein.
- Ziehen Sie immer den Netzstecker des Geräts, wenn es nicht in Gebrauch ist.
- Betreiben Sie das Gerät nicht, wenn das Kabel oder der Stecker beschädigt wurde, nachdem das Gerät eine Störung aufgewiesen hat, fallen gelassen oder auf irgendeine Weise beschädigt wurde. Geben Sie das Gerät zwecks Begutachtung, elektrischer oder mechanischer Anpassung oder Reparatur bei der autorisierten Servicestelle ab.
- Nicht im Freien verwenden.
- Bei der Installation des Geräts in einem Raum, in dem Wasser vorhanden ist, muss die Installation den Vorschriften bezüglich der erhöhten Gefahr von Stromschlägen und Elektroschocks entsprechen.

### **Hinweis:**

Dieses Gerät ist NICHT für den Einbau im Bad geeignet.

- Verlegen Sie das Kabel nicht unter Teppichboden. Decken Sie das Kabel nicht mit kleinen Teppichen, Läufern oder Ähnlichem ab. Verlegen Sie das Kabel abseits von Verkehrsflächen und dort, wo keine Stolpergefahr besteht.
- Schließen Sie es nur an ordnungsgemäß geerdete Steckdosen an.
- Achten Sie darauf, dass keine Fremdkörper in Lüftungs- oder Abluftöffnungen geraten, da dies zu Stromschlag oder Brand führen oder das Gerät beschädigen könnte.
- Es ist normal, dass Ihr elektrisches Gerät Geräusche erzeugt, insbesondere wenn es in einem ruhigen Raum wie einem Schlafzimmer installiert ist.



## WARNUNG

- Zur Reduzierung der Brandgefahr darf der Luftein- und -auslass in keiner Weise blockiert werden. Nicht auf weichen Oberflächen wie Teppichen verwenden, auf denen Öffnungen blockiert werden können.
- Geräte immer direkt an eine Wandsteckdose anschließen. Niemals ein Verlängerungskabel oder eine Steckdosenleiste verwenden.
- Diese Geräte wurden ausschließlich für die Verwendung mit dem in diesen Anweisungen aufgeführten optionalen Zubehör geprüft und gelistet. Die Verwendung von optionalem Zubehör, das nicht speziell für dieses Gerät getestet wurde, kann zum Erlöschen der Garantie bzw. zu einem Sicherheitsrisiko führen.



**WARNUNG:** Durch dieses Produkt können Sie Chemikalien, einschließlich Blei und bleihaltigen Stoffen, ausgesetzt werden, die im Staat Kalifornien als krebserregend eingestuft werden, sowie Chemikalien, einschließlich BBP und DEHP, die im Staat Kalifornien als Ursache für Geburtsfehler oder anderen Schädigungen der Fortpflanzungsfähigkeit eingestuft werden. Weitere Informationen finden Sie unter [www.P65Warnings.ca.gov](http://www.P65Warnings.ca.gov).

# Inhaltsverzeichnis

DE

<b>1.0</b>	<b>Allgemeine Informationen</b>	<b>65</b>
1.1	Abmessungen	65
1.2	Zulassungen	66
1.3	Allgemeine Anweisungen	66
1.4	Auspacken und Testen des Geräts	66
1.5	Typenschildinformationen	67
1.6	Liste der Montageteile	67
<b>2.0</b>	<b>Installation</b>	<b>68</b>
2.1	Anbringen des Geräts	68
2.2	Mindestabstand zu brennbaren Materialien	69
2.3	Mindestabstand zu Sims	69
2.4	Installieren des Geräts an der Wand (Wandmontage)	70
2.5	Installieren des Geräts in die Wand (Einbau)	73
<b>3.0</b>	<b>Abschließende Schritte</b>	<b>74</b>
3.1	Platzieren der Kristallglut	74
3.2	Anbringen der Türscheibe	75
3.3	Abnehmen der Türscheibe	76
<b>4.0</b>	<b>Elektrische Informationen</b>	<b>77</b>
4.1	Anschlussplan	77
4.2	Installation der Festverdrahtung	78
<b>5.0</b>	<b>Betriebsanweisungen</b>	<b>79</b>
5.1	Bedienen des Bedienfelds	79
5.2	Bedienen der Fernbedienung	80
5.3	Zeiteinstellungen auf der Fernbedienung	81
5.3.1	Einstellen von Datum und Uhrzeit	81
5.3.2	Festlegen der Ein-/Ausschaltzeit und Temperatur in wöchentlichem Rhythmus	81
5.4	Warnung zu offenem Fenster	82
<b>6.0</b>	<b>Ersatzteile</b>	<b>83</b>
6.1	NEFVC32H-EU Übersicht	84
6.2	NEFVC38H-EU Übersicht	85
<b>7.0</b>	<b>Zubehör</b>	<b>86</b>
<b>8.0</b>	<b>Fehlerbehebung</b>	<b>87</b>
<b>9.0</b>	<b>Garantie</b>	<b>89</b>

## Hinweis:

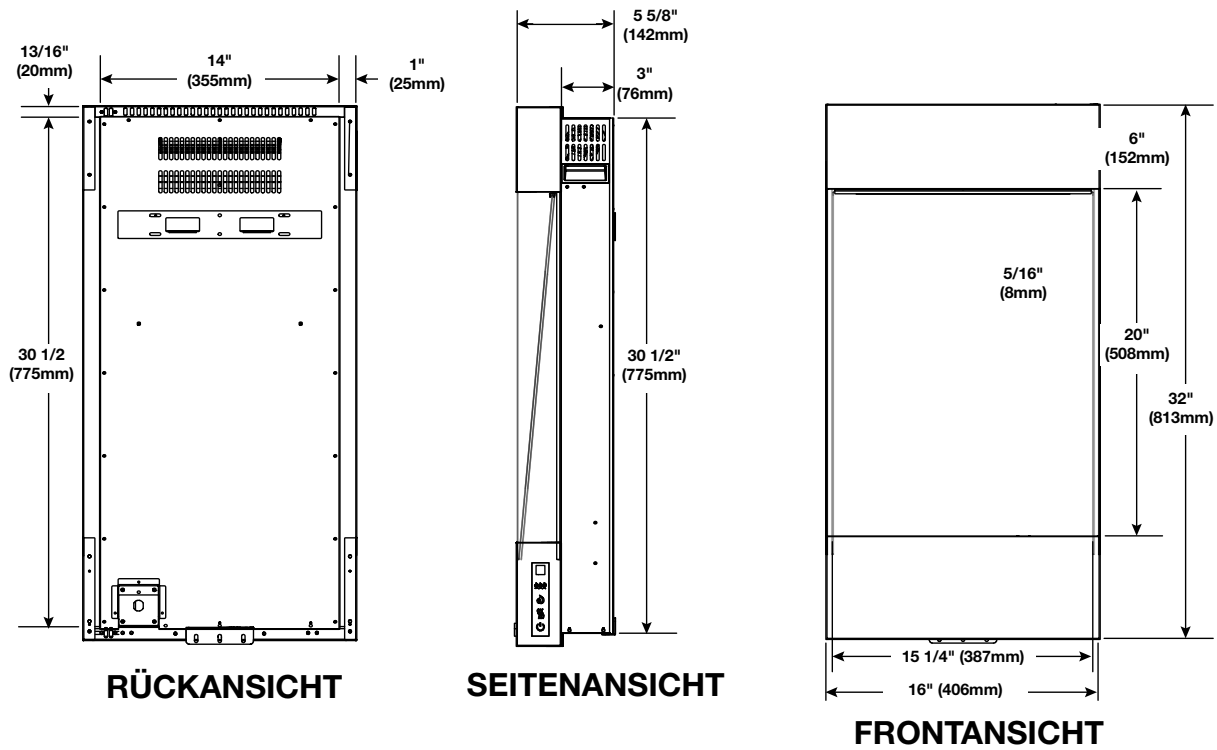
Die Informationen in diesem Handbuch gelten zum Zeitpunkt des Drucks als korrekt. Wolf Steel Ltd. behält sich das Recht vor, die Informationen in diesem Handbuch jederzeit ohne Ankündigung zu ändern. Änderungen, die nicht redaktioneller Art sind, werden durch eine vertikale Linie am Rand gekennzeichnet.

# 1.0 Allgemeine Informationen

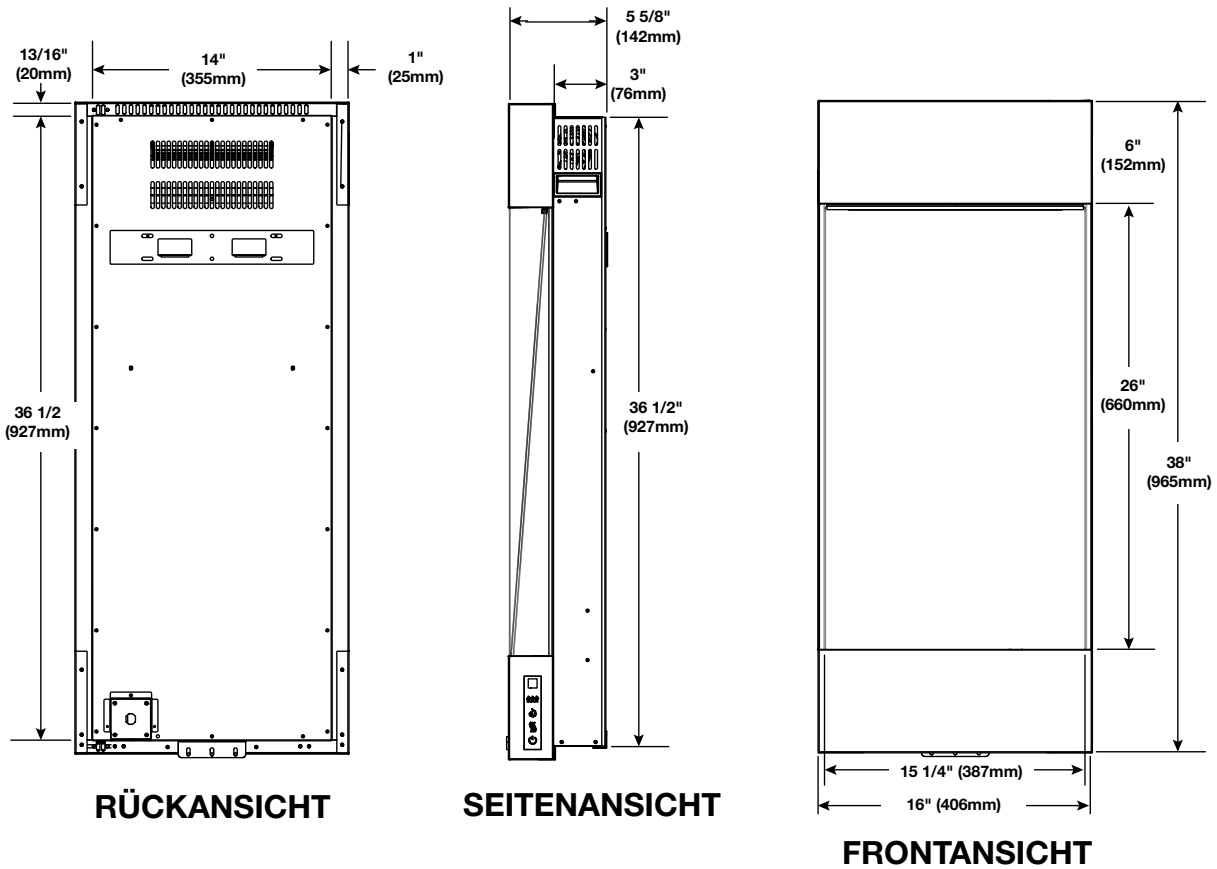
DE

## 1.1 Abmessungen

NEFVC32H-EU abgebildet



NEFVC38H-EU abgebildet



# Allgemeine Informationen

DE

## 1.2 Zulassungen

<b>Modellnummer</b>	NEFVC32H-EU	NEFVC38H-EU
<b>Beschreibung</b>	Modernes vertikales Elektrogerät, 32" (813 mm)	Modernes vertikales Elektrogerät, 38" (965 mm)
<b>Spannung</b>	220-240V AC	
<b>Watt</b>	1 400W - 1 600 W max.	
<b>Ampere</b>	Geerdeter Schaltkreis mit 15 A	
<b>Breite des Geräts</b>	16" (406mm)	
<b>Höhe des Geräts</b>	32" (813mm)	38" (965mm)
<b>Tiefe des Geräts</b>	5 5/8" (142mm)	
<b>Nettogewicht</b>	25lbs (11,3kg)	28,2lbs (12,8kg)
<b>Bruttogewicht</b>	33 lbs (15kg)	38,5lbs (17,5kg)

## 1.3 Allgemeine Anweisungen

- Bevor Sie Ihr Gerät an eine Steckdose anschliessen, vergewissern Sie sich, dass die Sicherungsschalter des Hauses für die Steckdose eingeschaltet sind.
- Das Gerät kann bei der ersten Verwendung einen leichten, jedoch harmlosen Geruch abgeben. Dieser Geruch ist normal und wird durch die erstmalige Erwärmung der Innenliegenden Geräteelemente verursacht; anschliessend tritt er nicht wieder auf.
- Wenn Ihr Gerät bei Bedarf keine Wärme abgibt, lesen Sie für weitere Informationen den Abschnitt 'Betrieb' in diesem Handbuch.
- Verlegen Sie das Netzkabel nicht direkt unter dem Gerät

Wie die meisten elektronischen Geräte ist Ihr neues Elektrogerät für den Betrieb bei Temperaturen zwischen 5 °C (41 °F) und 35 °C (95 °F) ausgelegt. Lassen Sie das Gerät in den kälteren Wintermonaten erst Raumtemperatur erreichen, bevor Sie es einschalten.

## 1.4 Auspacken und Testen des Geräts

Nehmen Sie das Gerät vorsichtig aus dem Karton und entfernen Sie die Halteklammern. Entfernen Sie vor der Installation des Geräts sämtliche Verpackungsmaterialien und testen Sie, ob das Gerät ordnungsgemäß funktioniert. Stecken Sie dafür das Netzkabel in eine geeignete, geerdete Steckdose mit 220 bis 240 Volt und 10 Ampere.









Batterien müssen gemäß den vor Ort geltenden Gesetzen und Vorschriften entsorgt werden. Einige Batterien können recycelt werden und werden eventuell von Ihrem örtlichen Wertstoffhof angenommen. Anweisungen zum Recycling erhalten Sie bei Ihrer Gemeinde.

## 1.5 Typenschildinformationen

ELECTRIC FIREPLACE. SUITABLE FOR BEDROOM AND BED-SITTING ROOM INSTALLATION. SUITABLE FOR MOBILE HOME INSTALLATION.

VOLTAGE: 220-240 VAC  
 FREQUENCY: 50Hz  
 POWER: 1400 - 1600 W  
 DATE CODE: XXXXX

MODELS

NEFVC38H-EU                       NEFVC32H-EU

Manufacturer: Wolf Steel Ltd.  
 24 Napoleon Road,  
 Barrie, ON, L4M 0G8 Canada

Importer: Wolf Steel Europe BV  
 De Riemsdijk 22, 4004 LC Tiel,  
 The Netherlands

DESIGNED IN NORTH AMERICA  
 BY WOLF STEEL LTD.  
 MADE IN CHINA

SERIAL NUMBER: NEFVC##000000      W385-2594

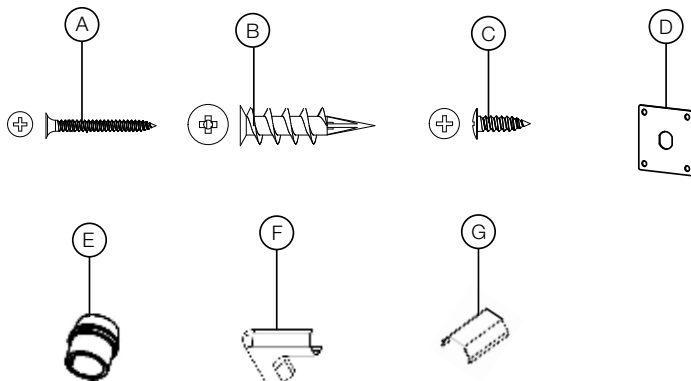
Im Abschnitt „Etikettposition“ finden Sie Informationen zur Typenschildposition.

Die Abbildung dient nur als Referenz. Genaue Informationen finden Sie auf dem Typenschild des Geräts.

### Hinweis:

Das Typenschild muss stets am Gerät verbleiben. Es darf unter keinen Umständen entfernt werden.

## 1.6 Liste der Montageteile



	Beschreibung	Anzahl
<b>A</b>	Holzschrauben	6
<b>B</b>	Trockenwanddübel	6
<b>C</b>	Metallschrauben ST4x12	8
<b>D</b>	Abdeckplatte	1
<b>E</b>	Zugentlastung	1
<b>F</b>	Kabelwinkel	2
<b>G</b>	Schnurabdeckung	2

## 2.0 Installation

DE

### **WARNUNG**

- Brandgefahr! Das Netzkabel darf nicht an einer scharfen Kante gequetscht werden. Sichern Sie das Kabel, um Stolpern oder Hängenbleiben zu vermeiden und so das Risiko von Brand, Stromschlag oder Verletzungen zu verringern. Verlegen Sie das Kabel nicht unter Teppichboden. Decken Sie das Kabel nicht mit kleinen Teppichen, Läufern oder ähnlichen Gegenständen ab. Verlegen Sie das Kabel abseits von Verkehrsflächen und dort, wo keine Stolpergefahr besteht.
- Brandgefahr! Zur Reduzierung der Brandgefahr darf der Luftein- und -auslass in keiner Weise blockiert werden. Nicht auf weichen Oberflächen verwenden, auf denen Öffnungen blockiert werden können.
- Brandgefahr! Keine Isolierung gegen das Gerät blasen oder auf diesem platzieren.
- Dieses Elektrogerät wurde ausschließlich für die Verwendung mit dem zugelassenen optionalen Zubehör geprüft und gelistet. Die Verwendung von optionalem Zubehör, das nicht speziell für dieses elektrische Gerät getestet wurde, kann zum Erlöschen der Garantie bzw. zu einem Sicherheitsrisiko führen.
- Wenn die Informationen in diesen Anweisungen nicht genau befolgt werden, kann es zu einem Brand oder einer Explosion kommen, die Sachschäden, Personenschäden oder den Tod zur Folge haben kann. Lagern oder verwenden Sie kein Benzin oder andere entzündliche Gase in der Nähe dieses oder eines anderen Geräts.
- Dieses Gerät ist schwer. Es wird ausdrücklich empfohlen, dass die Installation dieses Geräts von zwei Personen durchgeführt wird.
- Wenn Ihr Gerät mit einer Heizung ausgestattet ist, stellen Sie sicher, dass die Lüftungsöffnungen des Heizers in keiner Weise abgedeckt werden können, da dies eine Brandgefahr darstellen kann.
- Verlegen Sie das Netzkabel nicht waagrecht direkt unter dem Gerät.

Ihr Gerät kann entweder an die Wand montiert (Wandmontage) oder in die Wand eingebaut (Einbau) werden. Wählen Sie einen geeigneten Standort aus, der nicht anfällig für Feuchtigkeit ist und sich nicht in der Nähe von Vorhängen, Möbeln und stark frequentierten Bereichen befindet.

#### **Hinweis:**

Halten Sie sich an alle nationalen und lokalen Vorschriften für elektrische Geräte.

## 2.1 Anbringen des Geräts

### **WARNUNG**

- Aufgrund der hohen Temperaturen ist das Elektrogerät außerhalb von stark frequentierten Bereichen zu platzieren. Halten Sie brennbare Materialien wie Möbel, Kissen, Bettzeug, Papiere, Kleidung, Vorhänge und ähnliche Gegenstände mindestens 91,4 cm (36") von der Vorderseite des Geräts entfernt.
- Positionieren Sie das Elektrogerät nicht so, dass es in eine Badewanne oder einen Wasserbehälter fallen könnte.
- Tragen Sie zum Schutz während der Installation und Wartung Schutzhandschuhe und Schutzbrille.
- Um den Kontakt mit durchhängender oder loser Isolierung zu verhindern, darf das Elektrogerät nicht vor einer Dampfsperre oder einer exponierten Isolierung installiert werden. Es könnte zu einer lokalen Überhitzung kommen, die einen Brand verursachen könnte.
- Setzen Sie das elektrische Gerät nicht den Elementen (Regen usw.) aus.



## 2.2 Mindestabstand zu brennbaren Materialien

Abstand zu brennbaren Materialien	
Brennbare Materialien nach oben	0"
Brennbare Materialien nach unten	0"
Brennbare Materialien zu den Seiten	0"
Brennbare Materialien nach hinten	0"

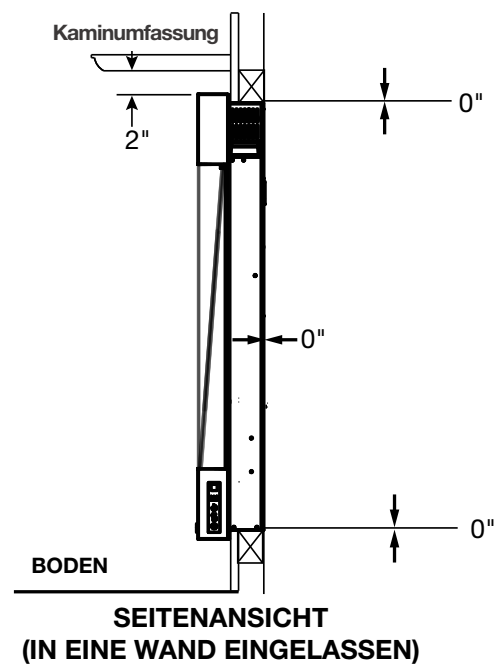
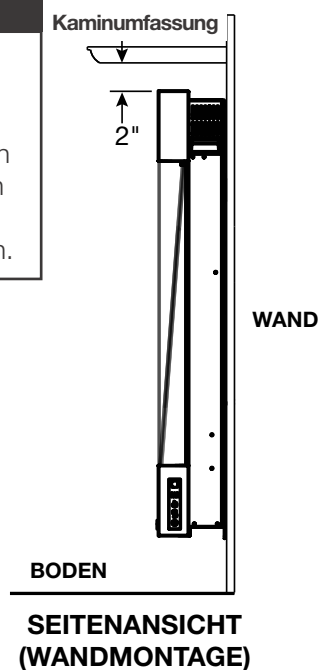
## 2.3 Mindestabstand zu Sims

### ! WARNUNG

- Sollten Sie den Sims mit Farbe oder Lack behandeln, müssen diese hitzebeständig sein, um Verfärbungen zu verhindern.

#### Hinweis:

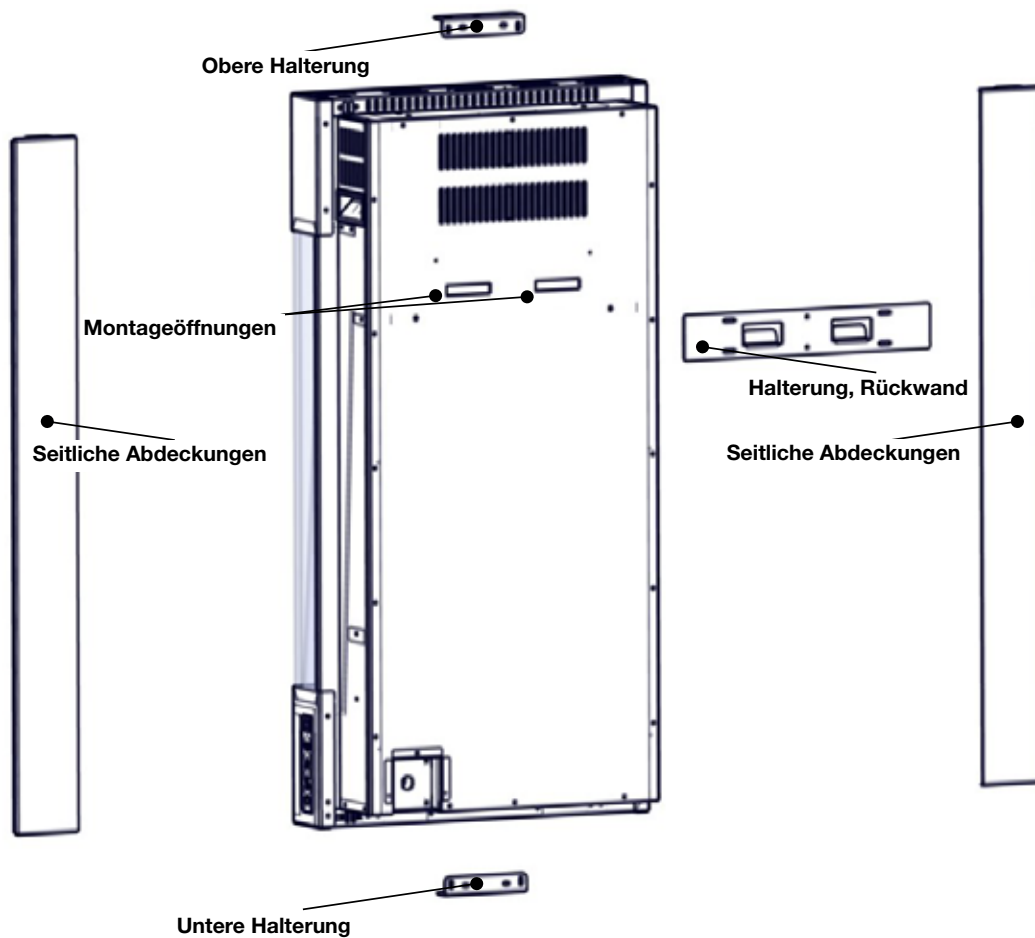
Ein Abstand von 2" (51 mm) zwischen Gerät und Sims ist erforderlich, um das Gerät an die Haken der Rückwand-Halterungen anbringen und davon wegnehmen zu können und um die obere Halterung anschrauben zu können.



### **WARNUNG**

- Konsultieren vor der Installation des Geräts Ihr Bauunternehmen vor Ort. Das Gerät muss entsprechend den lokalen Bauvorschriften installiert werden.
- Das Gerät darf nicht an einer für Feuchtigkeit anfälligen Stelle installiert werden.
- Das Gerät muss sich in einem Abstand von mindestens 91,4 cm (36") zu brennbaren Materialien wie Vorhängen, Möbeln, Bettwäsche, Papier usw. befinden.

### Übersicht des Geräts (Rückansicht)



#### Hinweis:

Wir empfehlen, dass die Installation dieses Geräts von zwei Personen durchgeführt wird.

1. Nehmen Sie die Glasscheibe ab (siehe Abschnitt „Abnehmen der Türscheibe“). Entfernen Sie falls nötig umstehende Medien.
2. Legen Sie das Gerät auf eine weiche, nicht scheuernde Oberfläche und entfernen Sie die seitlichen Abdeckungen, die an der Rückseite des Geräts befestigt sind. Beiseitestellen.
3. Entfernen Sie die Halterung unten (**Abb. 1**). Beiseitestellen.
4. Halten Sie das Gerät an die Wand, um die genaue Positionierung zu bestimmen.

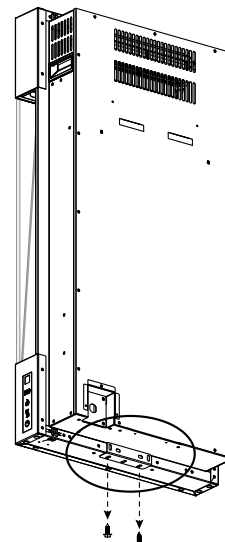
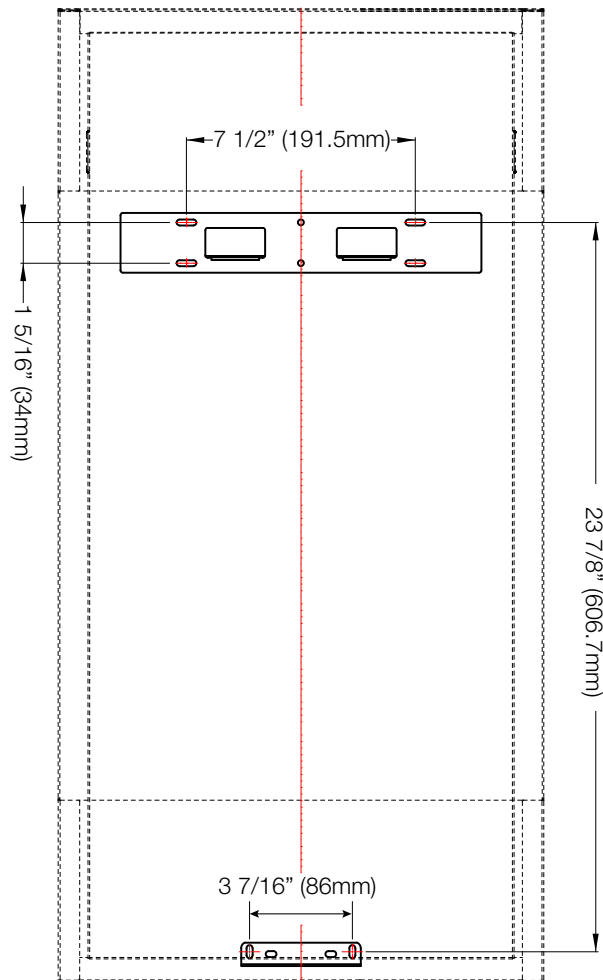
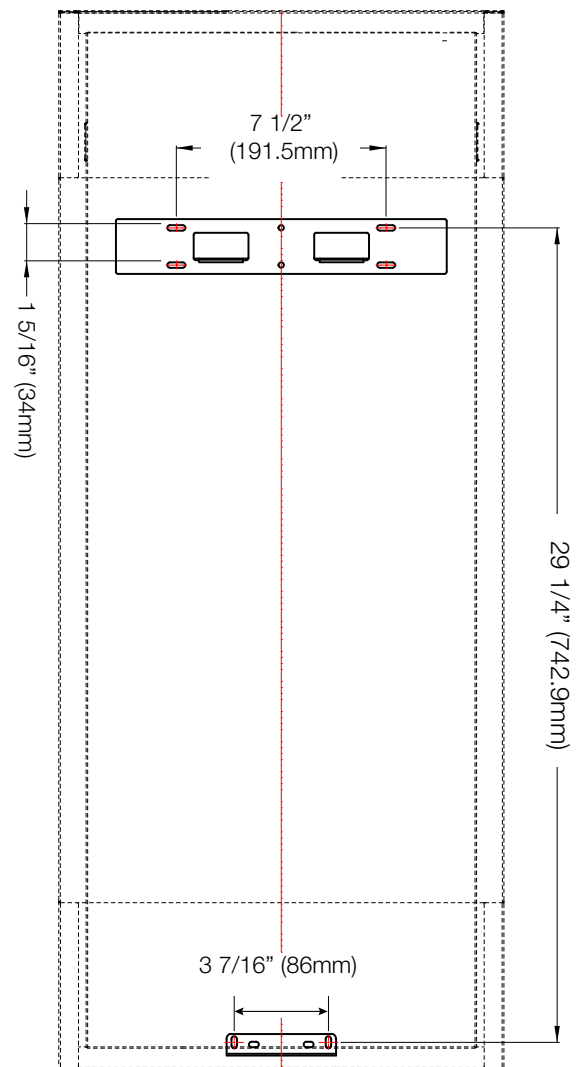


Abb. 1



**Abb. 2: NEFVC32H-EU** Wandmontage-Vorlage



**Abb. 3: NEFVC38H-EU** Wandmontage-Vorlage

5. Markieren Sie mithilfe der Wandmontage-Vorlage (**Abb. 2 für NEFVC32H-EU oder Abb. 3 für NEFVC38H-EU**) die Positionen der Rückwand- und der unteren Halterungen an der Wand.

**Hinweis:**

Die Befestigungshalterungen sollten mit mindestens 4 Schrauben in die Ständerwand geschraubt werden. Sollte dies nicht möglich sein, verwenden Sie die mitgelieferten Kunststoffdübel, um die Halterungen an der Wand zu befestigen, und vergewissern Sie sich, dass sie ausreichend gesichert sind.

6. Befestigen Sie die Wandmontage-Halterung mit den je 4 mitgelieferten Trockenwanddübeln und Holzschrauben an der Wand. (Die Halterung wird in der oberen Styroporabdeckung mitgeliefert.) Vergewissern Sie sich, dass die Halterung waagrecht ausgerichtet ist.

**Hinweis:**

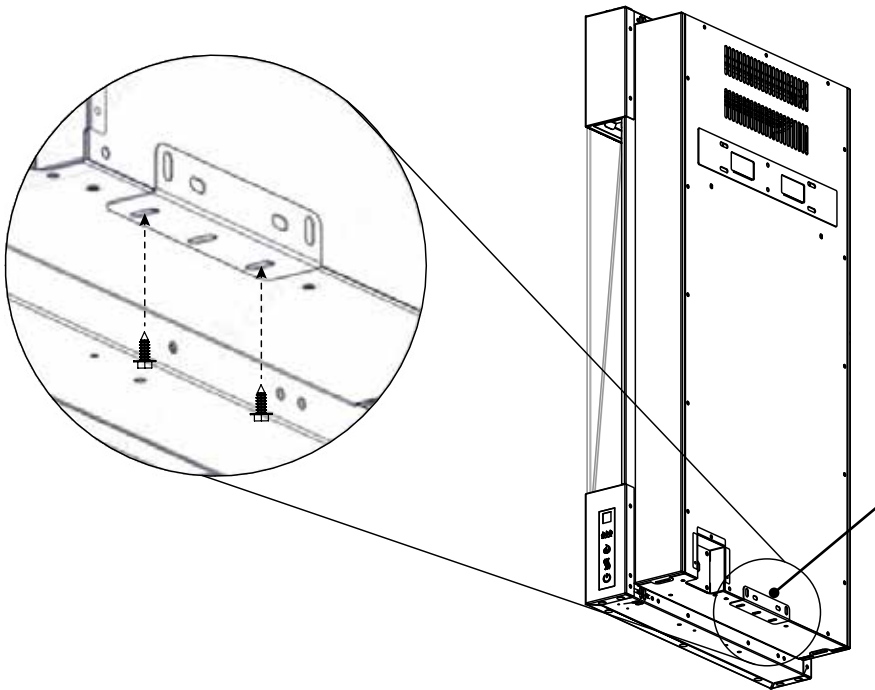
Die Haken der Wandmontage-Halterung müssen nach oben zeigen.

7. Befestigen Sie die untere Halterung mit den 2 mitgelieferten Trockenwanddübeln und 2 Holzschrauben an der Wand.
8. Heben Sie das Gerät an, bis die beiden Montageöffnungen auf die Haken an der Wandmontage-Halterung treffen. Bewegen Sie das Gerät nach unten, bis es sicher befestigt ist.

# Installation

DE

9. Befestigen Sie das Gerät mit den in Schritt 3 entfernten Schrauben an der unteren Halterung (**Abb. 4**).



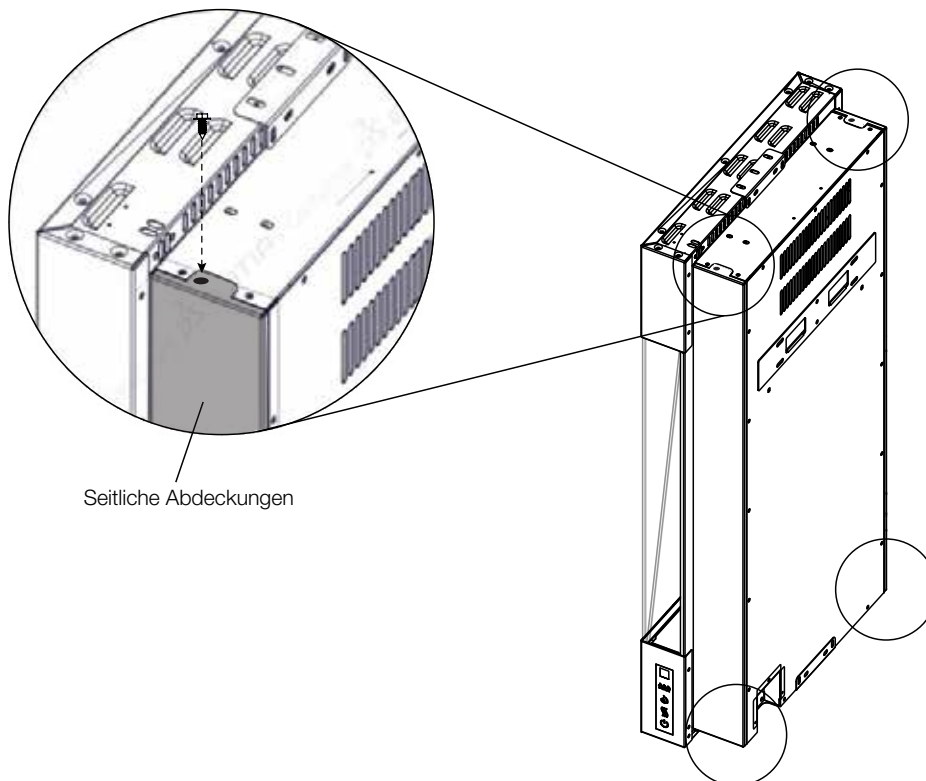
**Hinweis:**  
Markieren Sie die Position der unteren Halterung, da sie sich von der ursprünglichen Positionierung unterscheidet (**siehe Abb. 1**).

**Abb. 4**

10. Geben Sie die Medien in die Brennkammer (siehe Abschnitt „Abschließende Schritte“).

11. Installieren Sie die Glasscheibe (siehe Abschnitt „Anbringen der Türscheibe“).

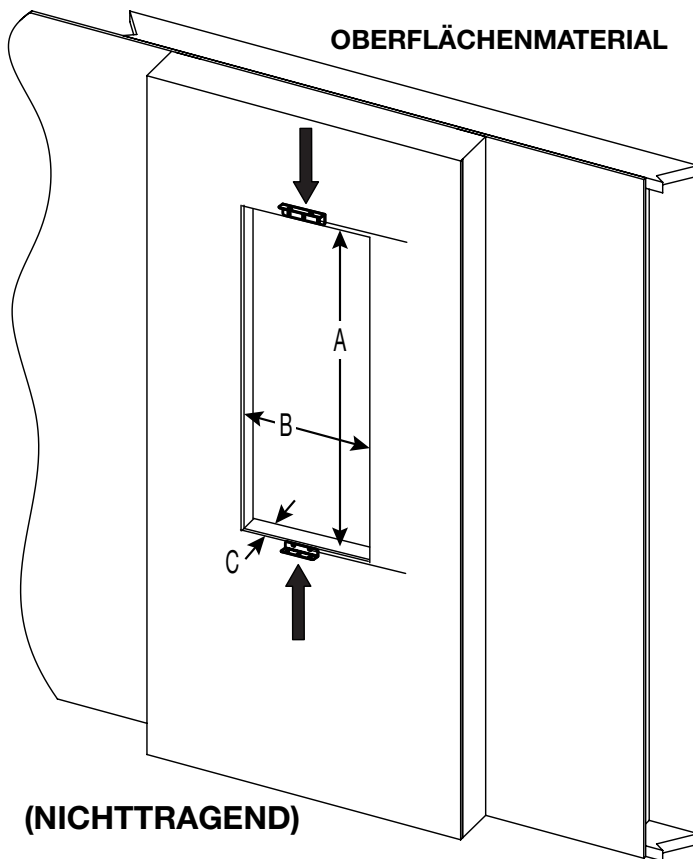
12. Installieren Sie die Abdeckungen mit den 4 in Schritt 2 entfernten Schrauben (**Abb. 5**).



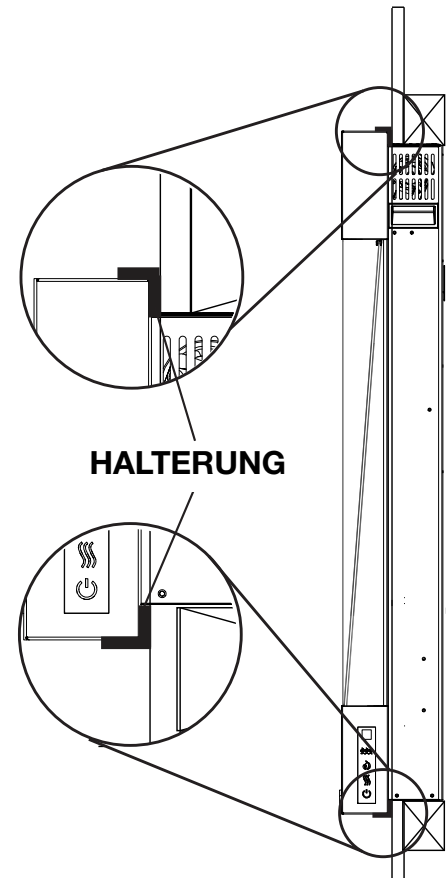
**Abb. 5**

## 2.5 Installieren des Geräts in die Wand (Einbau)

Abstand zum Gerätekörper:	
Seiten, Rückseite und Oberseite	0"



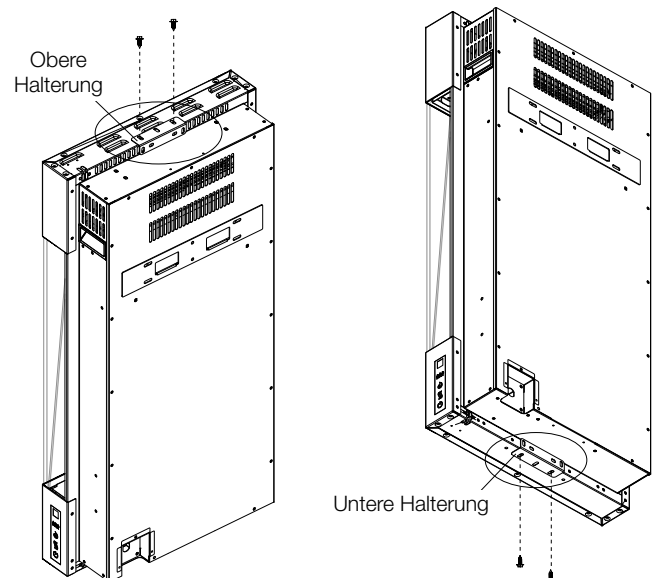
**(NICHTTRAGEND)**



**SEITENANSICHT  
(IN EINE WAND EINGELASSEN)**

Modell-Nr.	A	B	C
NEFVC32H-EU	30 3/4" (78,1 cm)	14 1/2" (36,8 cm)	3 1/2" (8,9 cm) min.
NEFVC38H-EU	36 3/4" (93,3 cm)		

- Entfernen Sie die seitlichen Abdeckungen, die an der Rückseite des Geräts befestigt sind, und legen Sie sie zur Seite.
- Führen Sie das Gerät in die Aussparung ein und markieren Sie die Positionen der oberen und unteren Halterungen. Nehmen Sie das Gerät aus der Aussparung heraus und legen Sie es auf eine weiche, nicht scheuernde Oberfläche.
- Entfernen Sie die oberen und unteren Halterungen (**Abb. 1**).
- Befestigen Sie die oberen und unteren Halterungen mithilfe der Markierungen von Schritt 2 mit den 4 mitgelieferten Schrauben an der Wand.
- Führen Sie das Gerät erneut in die Aussparung ein und befestigen Sie es an den oberen und unteren Halterungen (**Abb. 1**).



**Abb. 1**

## 3.0 Abschließende Schritte

DE

### **! WARNUNG**

- Die Stromversorgung muss korrekt eingerichtet werden, bevor die letzten Teile montiert werden, um ein erneutes Auseinanderbauen zu vermeiden.
- Wärmeabzüge und Luftöffnungen dürfen auf keinen Fall verdeckt werden.

### 3.1 Platzieren der Kristallglut

#### **Hinweis:**

Das Gerät muss am richtigen Platz und die Türscheibe entfernt sein, bevor die dunkle Kristallglut platziert wird (siehe Abschnitt „Abnehmen der Türscheibe“).

1. Legen Sie das dunkle Kristallglut vorsichtig in die untere Medienschale (**Abb. 1**).
2. Verteilen Sie sie gleichmäßig.
3. Platziere die 3 großen Kristallglut zufällig auf den kleinen Kristallglut.



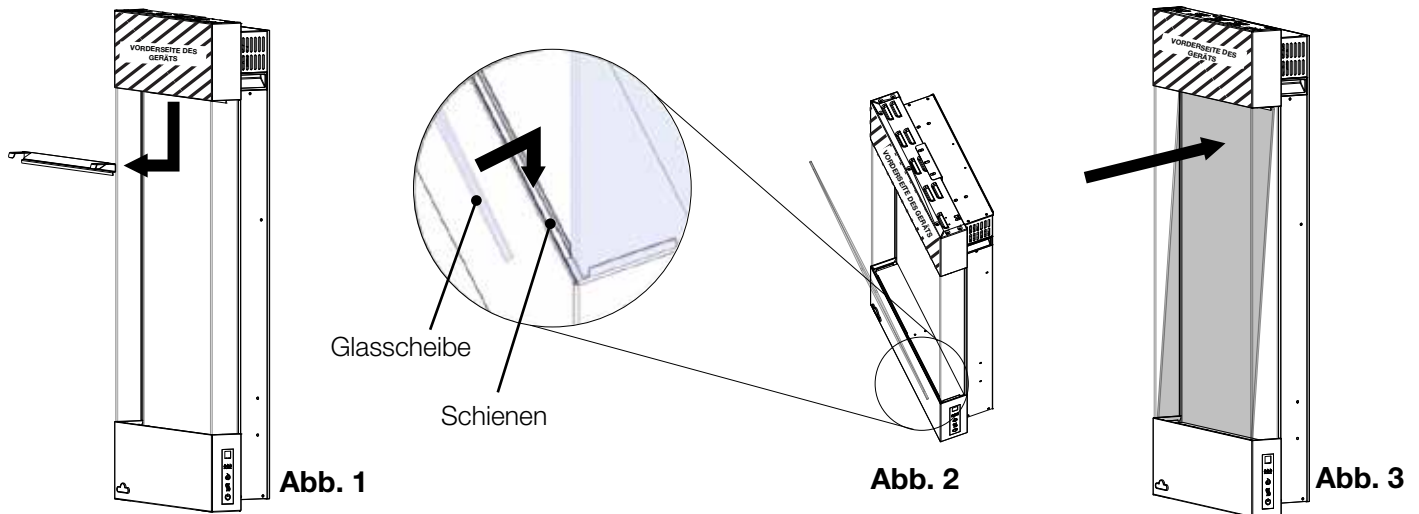
**Abb. 1**

## 3.2 Anbringen der Türscheibe

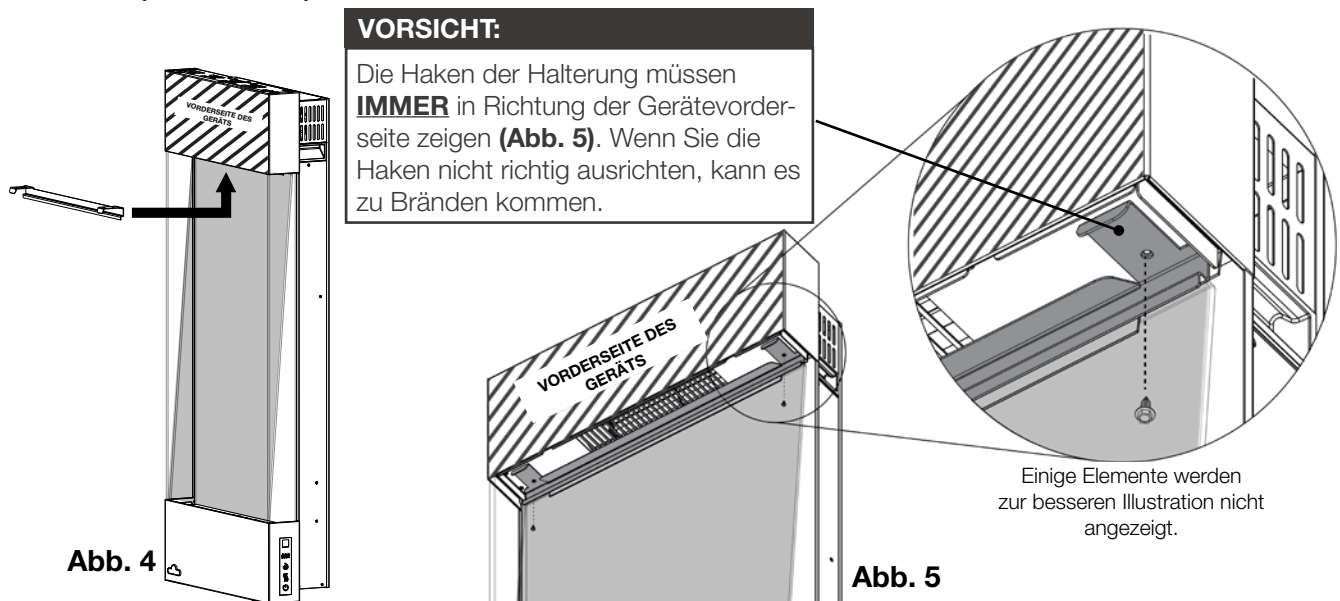
### ! WARNUNG

- Verkleidungs- bzw. Oberflächenmaterial darf den Luftstrom durch Luft- oder Jalousieöffnungen sowie die Betätigung von Jalousien oder Türen oder den Zugang für Wartungszwecke nicht behindern. Bei der Verwendung brennbarer Materialien sind alle Abstände einzuhalten.
- Schalten Sie das Gerät vor dem Ausbau der Tür aus und warten Sie, bis das Gerät abgekühlt ist. Die Türen sind schwer und empfindlich, gehen Sie daher vorsichtig vor.

1. Nehmen Sie den Haltebügel ab, indem Sie die 2 Schrauben entfernen (**Abb. 1**). **Achten Sie auf die Ausrichtung des Haltebügels.**
2. Führen Sie die Glasscheibe in die Schienen der Brennkammer ein (**Abb. 2**).
3. Drücken Sie den oberen Teil der Glasscheibe gegen den oberen Teil der Plastikleiste (**Abb. 3**).



4. Befestigen Sie den Haltebügel mit den 2 in Schritt 1 entfernten Schrauben wie abgebildet am oberen Teil des Geräts (**Abb. 4 und 5**). **Die Glasscheibe sollte nach der Installation fixiert sein.**

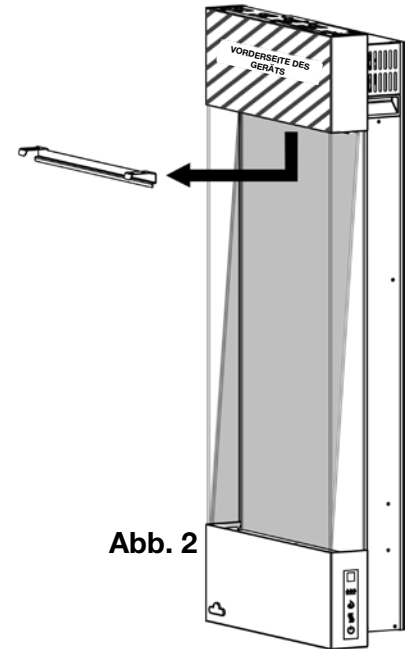
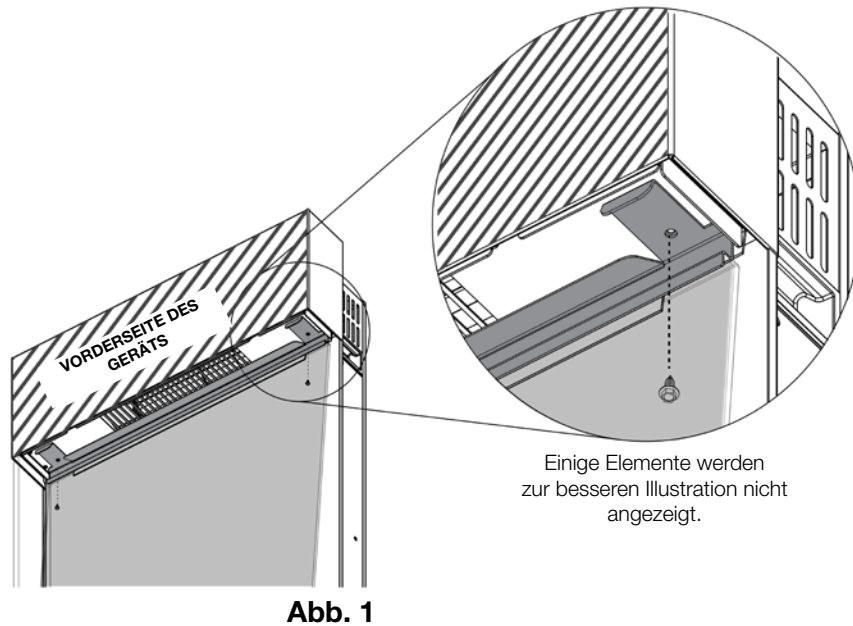


# Abschließende Schritte

DE

## 3.3 Abnehmen der Türscheibe

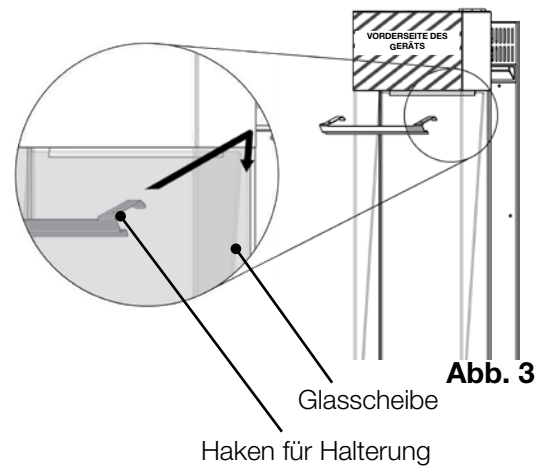
1. Nehmen Sie den Haltebügel ab, indem Sie die 2 Schrauben entfernen (**Abb. 1 und 2**). Legen Sie die Schrauben beiseite, aber halten Sie die Halterung für Schritt 2 griffbereit.



2. Greifen Sie mit den Haken der Halterung hinter die Glasscheibe, um sie nach vorn zu ziehen (**Abb. 3**).

### VORSICHT!

Die Verwendung der Halterung auf diese Art ist nur für die vereinfachte Entfernung der Glasscheibe gedacht und sollte unter anderen Umständen nicht angewendet werden. Bei der Installation der Halterung müssen die Haken **IMMER** in Richtung der Gerätevorderseite zeigen (siehe Abschnitt „Anbringen der Türscheibe“). Wenn Sie die Haken nicht richtig ausrichten, kann es zu Bränden kommen.



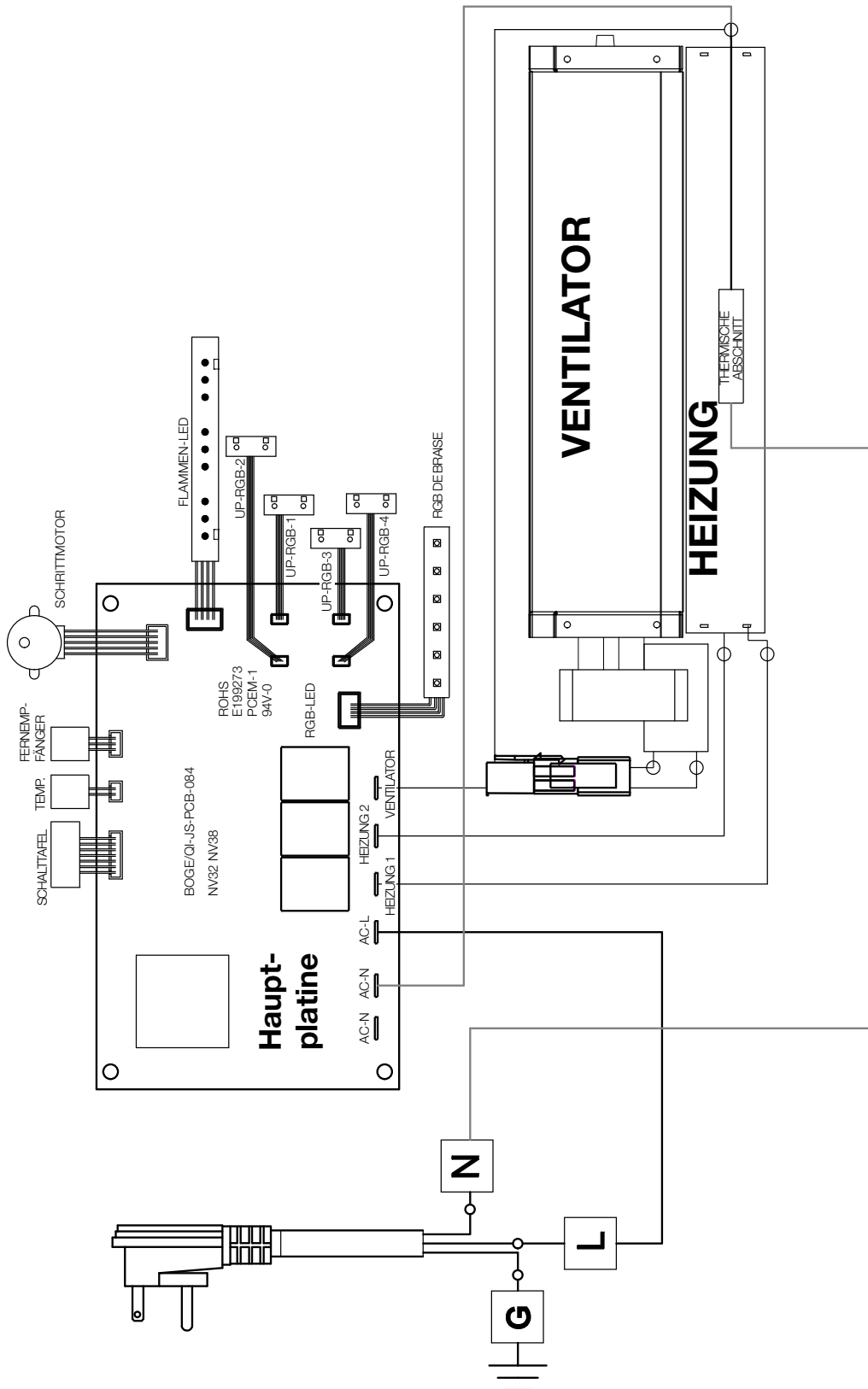
3. Entfernen Sie die Glasscheibe und legen Sie sie auf eine weiche, nicht scheuernde Oberfläche.



## 4.1 Anschlussplan

### **WARNUNG**

- Schalten Sie das Gerät vollständig aus und lassen Sie es vor der Wartung abkühlen. Das Elektrogerät darf nur von qualifiziertem Servicepersonal gewartet und repariert werden.



### **! WARNUNG**

- Schalten Sie das Gerät vollständig aus und lassen Sie es vor der Wartung abkühlen. Das Elektrogerät darf nur von qualifiziertem Servicepersonal gewartet und repariert werden.

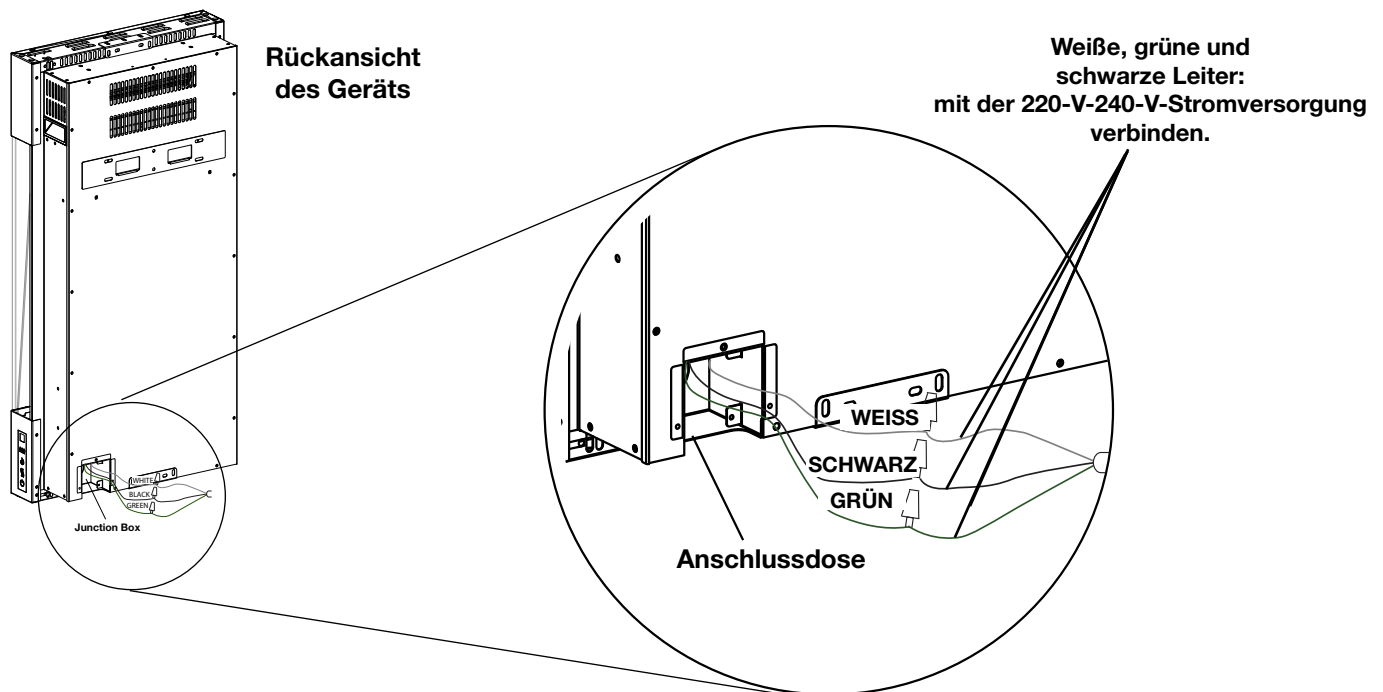
### **FESTVERDRAHTUNG**

Sollte es notwendig sein, das Gerät festzuverdrahten, muss ein qualifizierter Elektriker den Kabelanschluss entfernen und das Gerät direkt mit der Hausinstallation verbinden. Der Leistungsschalter muss für 220V-240V und mindestens 15 Ampere vorgesehen sein.

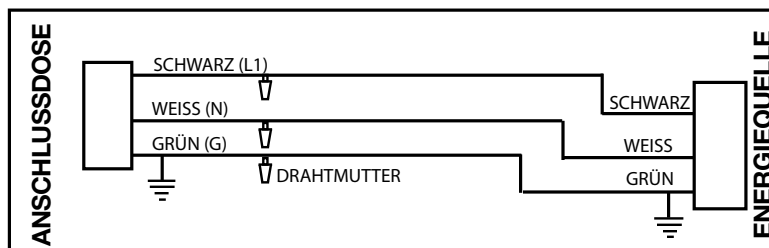
Das Gerät muss im Falle einer Festverdrahtung entsprechend den lokalen Vorschriften angeschlossen und geerdet werden.

### **Hinweis:**

Drei Stromkabel leiten von der Geräteschnittstelle zur 220-V-240-V-Stromquelle (Verteilerkasten): der weiße Leiter (N), der schwarze Heizdraht (geschaltete Phase, L1) und der grüne Schutzleiter (Erde). Siehe unten.



- Entfernen Sie die 4 Sicherungsschrauben von der elektrischen Abdeckplatte, die sich am Gerät unten links befindet (aus der Rückansicht).
- Befestigen Sie die Zugentlastung an der elektronischen Abdeckplatte (in der Tüte mit dem Festverdrahtungskit).
- Trennen Sie die schwarzen, weißen und grünen Leiter, die Drehverbinder haben.
- Entfernen Sie die Drehverbinder und sichern Sie den schwarzen Heizdraht (L1) mit dem schwarzen Anschlussdraht (L1) der Stromquelle. Verbinden Sie das weiße Kabel des Geräts mit dem weißen Leiter (N) der Stromquelle. Verbinden Sie das grüne Kabel mit dem grünen Schutzleiter (Erde).
- Bringen Sie die elektrische Abdeckplatte wieder sicher an.









## **WARNUNG**

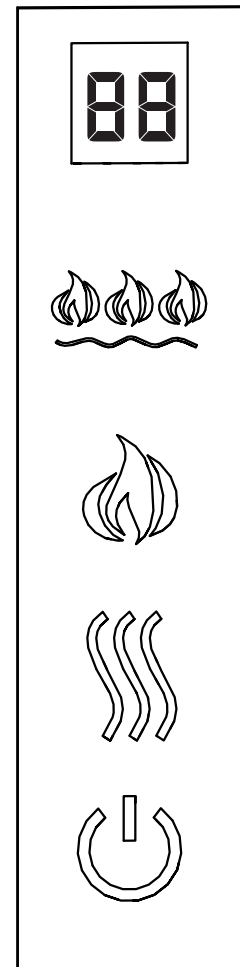
- Vergewissern Sie sich, dass die Sicherungsschalter des Hauses für die Stromversorgung eingeschaltet sind. Wenn Sie das Gerät erstmalig an eine Stromquelle anschließen, wird eine LED-Überprüfung durchgeführt. Die Leuchten des Geräts gehen 5 Sekunden lang an und aus.

Nachdem das Gerät an eine geerdete Steckdose angeschlossen oder mit einer 220-V-240-V-Stromquelle festverdrahtet wurde, ist es betriebsbereit.

### 5.1 Bedienen des Bedienfelds

Das Bedienfeld befindet sich auf der rechten Seite des Geräts (aus der Vorderansicht).





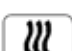


<b>Netzschalter</b>		Dient zum Ein- und Ausschalten des Geräts.
<b>Glutbett-Licht</b>		Regelt die Einstellungen für das Glutbett-Licht.  <b>Einstellungen:</b> L0 - Glutbett-Licht aus L1 - Weiß L2 - Blau L3 - Grün L4 - Rot L5 - Gelb L6 - Violett L7 - Automatischer Zyklus durchläuft Weiß, Blau, Grün, Rot, Gelb und Violett. <b>(HINWEIS: Die Farbe wird nach 8,5 Sekunden gewechselt.)</b> L8 - Zyklus bei gewünschter Farbe stoppen
<b>Flammenregelung</b>		Dient zur Regelung der Flamme.  <b>8 Einstellungen:</b> 00 - Flamme aus 01 - Orangefarbene Flamme 02 - Gelbe Flamme 03 - Blaue Flamme 04 - Flamme gelb/orangefarben 05 - Flamme blau/orangefarben 06 - Flamme gelb/blau 07 - Flamme gelb/blau/orangefarben
<b>Schalter für °C oder °F</b>		Ändert das Temperaturformat von Fahrenheit zu Celsius oder umgekehrt. Halten Sie die Flammentaste für fünf Sekunden gedrückt.
<b>Heizregelung</b>		Schaltet den Heizer und das Gebläse ein und aus.  <b>4 Einstellungen:</b> H0 - Heizer und Gebläse aus bL - Gebläse an H1 - Geringe Hitze H2 - Starke Hitze
<b>Heizsperr</b>		Sie können die Heiztaste sperren oder entsperren, indem Sie sie für fünf Sekunden gedrückt halten.







# Betriebsanweisungen





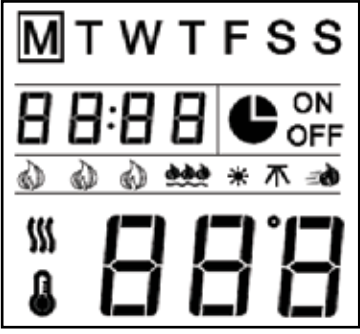
## DE 5.2 Bedienen der Fernbedienung







<b>Netzschalter</b>		Dient zum Ein- und Ausschalten des Geräts.
<b>Blaue Flamme</b>		Regelt die Flammenhelligkeit.
<b>Orangefarbene Flamme</b>		<b>Einstellungen:</b> F0 - Flamme aus F1 - Flamme mit geringer Helligkeit F2 - Flamme mit mittlerer Helligkeit F3 - Flamme mit starker Helligkeit F4 - Flamme mit maximaler Helligkeit
<b>Gelbe Flamme</b>		
<b>Heizer</b>		Schaltet den Heizer und das Gebläse ein und aus.  <b>Einstellungen:</b> H0 - Heizer und Gebläse aus bL - Gebläse an H1 - Geringe Hitze H2 - Starke Hitze
<b>Flammengeschwindigkeit</b>		Regelt die Geschwindigkeit der Flamme. Es gibt fünf verschiedene Flammengeschwindigkeiten: 01 (langsamste), 02, 03, 04 und 05 (schnellste)
<b>Oberlicht</b>		Regelt die Einstellungen des Oberlichts.  <b>Einstellungen:</b> d0 - Glutbett-Licht aus d8 - Weiß d7 - Blau d6 - Grün d5 - Rot d4 - Gelb d3 - Violett d2 - Automatischer Zyklus durchläuft Weiß, Blau, Grün, Rot, Gelb und Violett. <b>(HINWEIS: Die Farbe wird nach 8,5 Sekunden gewechselt.)</b> d1 - Zyklus bei gewünschter Farbe stoppen

<b>Glutbett-Farbe</b>		Regelt die Einstellungen für das Glutbett-Licht.  <b>Einstellungen:</b> L0 - Glutbett-Licht aus L1 - Weiß L2 - Blau L3 - Grün L4 - Rot L5 - Gelb L6 - Violett L7 - Automatischer Zyklus durchläuft Weiß, Blau, Grün, Rot, Gelb und Violett. <b>(HINWEIS: Die Farbe wird nach 8,5 Sekunden gewechselt.)</b> L8 - Zyklus bei gewünschter Farbe stoppen
<b>Glutbett-Helligkeit</b>		Regelt die Helligkeit des Glutbett-Lichts.  <b>Einstellungen:</b> b1 - Geringe Helligkeit b2 - Mittlere Helligkeit b3 - Starke Helligkeit b4 - Maximale Helligkeit
<b>Zeitzuhr</b>		Es gibt 10 Zeitzuhr-Einstellungen: 00, 30 min und 1, 2, 3, 4, 5, 6, 7 und 8 Std.
<b>Temperaturregelung</b>		Es gibt 7 Temperatur-Einstellungen: 61 °F [16 °C], 64 °F [18 °C], 70 °F [21 °C], 75 °F [24 °C], 81 °F [27 °C], 85 °F [29 °C] und AUS.



## 5.3 Zeiteinstellungen auf der Fernbedienung

 <b>Zeituhr:</b> Zeigt die aktuelle Tag-, Uhrzeit- und Wocheneinstellung an. Drücken, um Zeituhreinstellungen einzugeben oder zu bestätigen		
<b>OK</b> <b>Einstellungen:</b> Drücken, um mit dem nächsten Schritt fortzufahren (mit Zeituhrtaste verwenden). Drücken, um Wochenzeituhr zu bestätigen.		
 <b>Zurück:</b> Drücken, um Zeituhreinstellungen zu löschen. Drücken, um zum vorherigen Schritt zurückzukehren (mit Einstellungstaste verwenden).		
 <b>Nach oben und nach unten:</b> mit Einstellungstaste verwenden.		
<b>LCD-Anzeige</b>		
<b>Wochentag:</b> _____ Mo, Di, Mi, Do, Fr, Sa, So		<b>HINWEIS:</b> Die Funktionen können nur geändert werden, wenn die jeweiligen Buchstaben oder Ziffern blinken.  <b>HINWEIS:</b> Kalibrieren Sie die Zeituhr vor den wöchentlichen Einstellungen auf die aktuelle Zeit.
<b>Zeitanzeige:</b> _____		
Aktuelle Zeit/Zeituhr von 00:00 bis 24:00 <b>HINWEIS: 00–12:00 ist AM/13:00–24:00 ist PM</b>		

### 5.3.1 Einstellen von Datum und Uhrzeit




1. Drücken Sie  einmal. Wenn „MON“ (Montag) blinkt, wählen Sie mit  den aktuellen Tag aus. Drücken Sie OK, um die Einstellung abzuschließen.
2. Wenn die Stundenziffern blinken, wählen Sie mit  die aktuelle Stundenzahl aus. Drücken Sie OK, um die Einstellung abzuschließen.
3. Wenn die Minutenziffern blinken, wählen Sie mit  die aktuelle Minutenzahl aus. Drücken Sie OK, um die Einstellung abzuschließen.

### 5.3.2 Festlegen der Ein-/Ausschaltzeit und Temperatur in wöchentlichem Rhythmus

1. Drücken Sie  einmal. Wenn „MON“ (Montag) blinkt, wählen Sie mit  den aktuellen Tag aus. Drücken Sie OK, um die Einstellung abzuschließen.



#### Hinweis:

Der Timer kann nur in 30-minütigen Intervallen eingestellt werden (d. h. 00:00–00:30, 00:30–01:00 usw.).

2. Wenn --:-- blinkt, wählen Sie mit  die gewünschte Stunden- und Minutenzahl aus, zu denen der Heizer eingeschaltet werden soll. Drücken Sie OK, um die Einstellung abzuschließen. Drücken Sie jederzeit , um die Eingabe zu löschen und den „ON“-Timer zu beenden.
3. Wenn „18“ blinkt können Sie mit  die gewünschte Temperatur für Montag wählen, bei der der Heizer eingeschaltet werden soll.

#### Hinweis:

Wenn bereits eine Temperatur eingestellt wurde, wird diese Einstellung anstatt der „18“ angezeigt.

4. Wenn --:-- blinkt, wählen Sie mit  die gewünschte Stunden- und Minutenzahl aus, zu denen der Heizer ausgeschaltet werden soll. Drücken Sie OK, um die Einstellung abzuschließen. Drücken Sie jederzeit , um die Eingabe zu löschen und den „OFF“-Timer zu beenden.

# Betriebsanweisungen

DE

5. Wiederholen Sie die Schritte 1 bis 4, um die Ein- und Ausschaltzeiten und Temperaturen für Dienstag, Mittwoch, Donnerstag, Freitag, Samstag und Sonntag einzustellen.
6. Drücken Sie OK, um die Eingabe abzuschließen. Achten Sie darauf, dass die Fernbedienung auf den Empfänger in der Mitte des Geräts gerichtet ist. Das Gerät gibt einen Piepton ab, um zu bestätigen, dass die Eingabe erfolgreich war.

## 5.4 Warnung zu offenem Fenster

Wenn die Raumtemperatur innerhalb von 3 Minuten um 10 Grad sinkt, geht das Gerät davon aus, dass ein Fenster geöffnet wurde. Um Energie zu sparen, schaltet der Heizer automatisch von hoher Hitze auf niedrige Hitze um, oder, wenn der Heizer bereits auf niedrige Hitze eingestellt ist, schaltet er sich ganz aus.

Beim Umstellen von hoher Hitze auf niedrige Hitze gibt das Gerät 3 Pieptöne von sich. Im digitalen Display blinkt „88“ 3-mal auf. Dann wird der aktuelle Heizstatus angezeigt.

Wenn das Gerät sich abschaltet, gibt es 3 Pieptöne von sich. „88“ blinkt kontinuierlich im digitalen Display.

Wie Sie die Heizfunktion zurücksetzen, können Sie im Abschnitt „Bedienen der Fernbedienung“ nachlesen.

### **WARNUNG**

- Wenn die Teile nicht gemäß diesem Handbuch eingebaut werden oder Teile verwendet werden, die nicht für dieses Gerät zugelassen sind, können Sach- oder Personenschäden entstehen.

Bei Fragen zu Preisen und Richtlinien zu Ersatzteilen wenden Sie sich an Ihren Händler. In der Regel können alle Teile über Ihren autorisierten Händler/Lieferanten bestellt werden.

#### **Zur Erfüllung des Gewährleistungsanspruchs auf Ersatzteile ist eine Kopie der Originalrechnung erforderlich.**

Geben Sie bei der Bestellung von Ersatzteilen immer folgende Informationen an:

- Modell- und Seriennummer des Geräts
- Installationsdatum des Geräts
- Teilenummer
- Beschreibung des Teils
- Oberflächenausführung

**Teile, Teilenummern und Verfügbarkeit können ohne vorherige Ankündigung geändert werden.**

**Vorrätige Teile werden für die meisten Lieferorte innerhalb von zwei bis fünf Werktagen geliefert.**

**Nicht vorrätige Teile werden in den meisten Fällen innerhalb von zwei bis vier Wochen geliefert.**

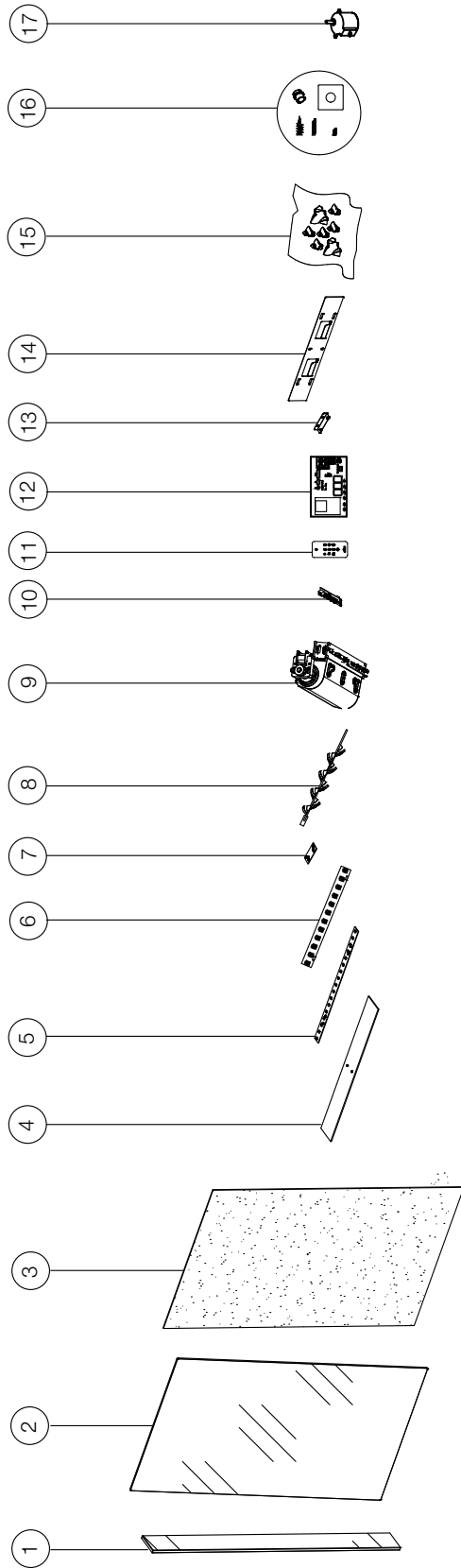
**Als „SO“ markierte Teile sind Sonderaufträge und können eine Lieferzeit von bis zu 90 Tagen erfordern.**

Unterstützung erhalten Sie unter der Rufnummer +31 (0) 88 588 655.

#### **Hinweis:**

Beim Entfernen und Entsorgen von zerbrochenem Glas oder beschädigten Bauteilen ist Vorsicht geboten. Saugen Sie Glasscherben vor dem Betrieb unbedingt aus dem Inneren des Geräts auf.

## 6.1 NEFVC32H-EU Übersicht

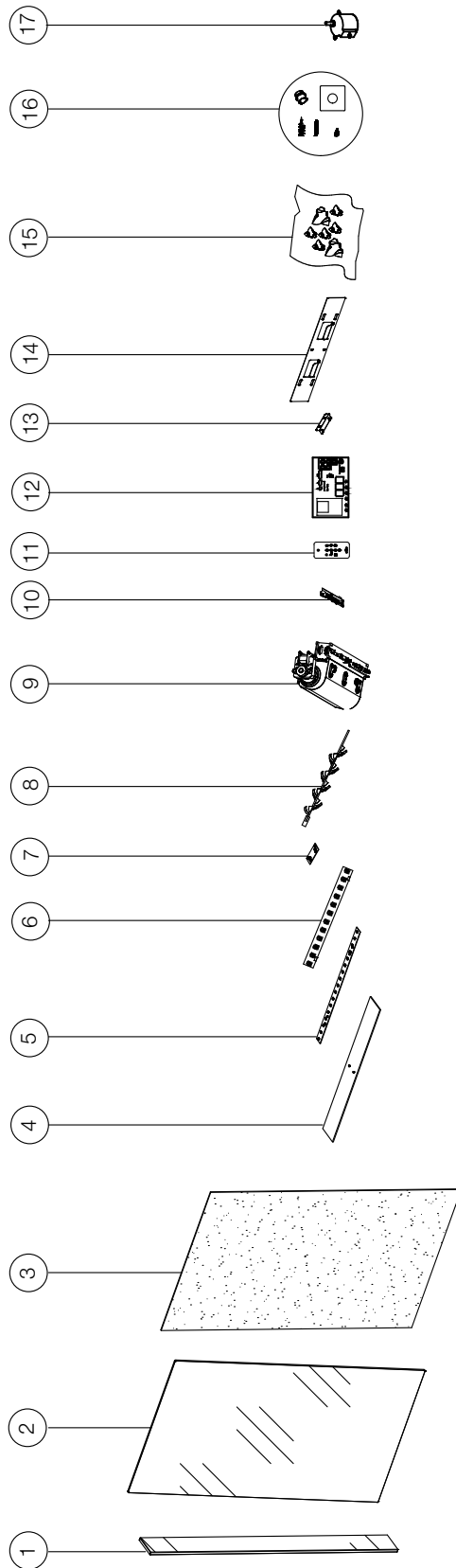


Möglicherweise sehen einzelne Elemente nicht genau wie abgebildet aus.

Ref.-Nr.	Teilnr.	Beschreibung	Auf Lager	Ref.-Nr.	Teilnr.	Beschreibung	Auf Lager
1	W300-0285-SER	Seitliches Glas	Ja	9	W010-4999	Heizungs- und Lüfterbaugruppe	Ja
2	W300-0287-SER	Frontscheibe	Ja	10	W475-1593-SER	Schalttafel	Ja
3	W475-1591-SER	Projektionswand, Kunststoffplatte	Ja	11	W190-0219	Fernbedienung	Ja
4	W497-0050-SER	Plastikband	Ja	12	W190-0220	Hauptplatine	Ja
5	W405-0069-SER	LED Glut Bettlicht	Ja	13	W080-1890-SER	Obere / untere Montagehalterung	Ja
6	W405-0068-SER	Lumière LED de flamme	Ja	14	W080-1889-SER	Hintere Montagehalterung	Ja
7	W405-0070-SER	LED Flammenlicht	Ja	15	G497-0004	Dunkle Kristalle	Ja
8	W527-0031-SER	Reflektor	Ja	16	W370-0146-SER	Hardware-Set	Ja
				17	W435-0090-SER	Schrittmotor	Ja



## 6.2 NEFVC38H-EU Übersicht



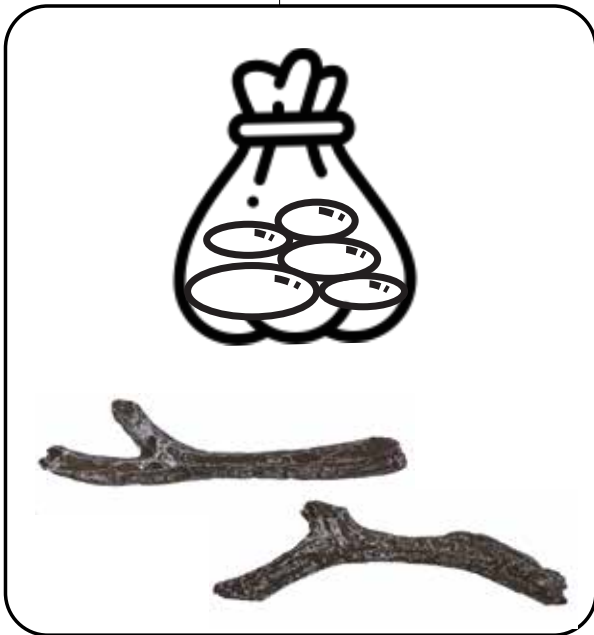
Möglicherweise sehen einzelne Elemente nicht genau wie abgebildet aus.

Ref.-Nr.	Teilenr.	Beschreibung	Auf Lager
1	W300-0286-SER	Seitliches Glas	Ja
2	W300-0288-SER	Frontscheibe	Ja
3	W475-1592-SER	Projektionswand, Kunststoffplatte	Ja
4	W497-0050-SER	Plastikband	Ja
5	W405-0069-SER	LED Glut Bettlicht	Ja
6	W405-0068-SER	Lumière LED de flamme	Ja
7	W405-0070-SER	LED Flammenlicht	Ja
8	W527-0031-SER	Reflektor	Ja
9	W010-5000	Heizungs- und Lüfterbaugruppe	Ja
Ref.-Nr.	Teilenr.	Beschreibung	Auf Lager
10	W475-1593-SER	Schalttafel	Ja
11	W190-0221	Fernbedienung	Ja
12	W190-0222	Hauptplatine	Ja
13	W080-1890-SER	Obere / untere Montagehalterung	Ja
14	W080-1889-SER	Hintere Montagehalterung	Ja
15	G497-0004	Dunkle Kristalle	Ja
16	W370-0146-SER	Hardware-Set	Ja
17	W435-0090-SER	Schrittmotor	Ja

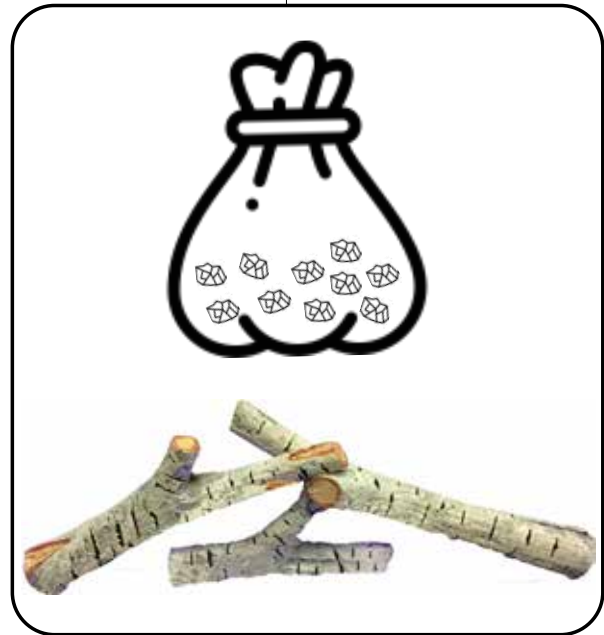
## 7.0 Zubehör

DE

1



2



Möglicherweise sehen einzelne Elemente nicht genau wie abgebildet aus.

Ref.-Nr.	Teilenr.	Beschreibung	Auf Lager
1	NEF-DRAK32	Kit, Treibholzstämmen mit Flusssteinen	Ja
2	NEF-BLCAK32	Kit, Birkenstämmen mit klaren Kristallen	Ja

## **WARNUNG**

- Schalten Sie das Gerät vollständig aus und lassen Sie es vor der Wartung abkühlen. Das Elektrogerät darf nur von qualifiziertem Servicepersonal gewartet und repariert werden.

Symptom	Problem	Lösung
Das Gerät schaltet sich nicht ein, wenn der Netzschalter in die Ein-Position gebracht wird.	Das Gerät ist nicht an eine Steckdose angeschlossen.	Überprüfen Sie den Stecker und schließen Sie das Gerät gegebenenfalls an.
	Das Gerät ist überhitzt und der Thermoschutzschalter hat ausgelöst.	Ziehen Sie das Netzkabel oder schalten Sie den Sicherungsschalter aus. Lassen Sie das Gerät 15 Minuten abkühlen und schließen Sie dann das Netzkabel wieder an oder schalten Sie den Sicherungsschalter ein.
	Problem mit der Hauptleiterplatte.	Überprüfen Sie die Leiterplatte und tauschen Sie sie gegebenenfalls aus.
Das Gerät schaltet sich aus und lässt sich nicht wieder einschalten.	Der Sicherungsschalter des Hauses hat ausgelöst.	Setzen Sie den Sicherungsschalter des Hauses zurück.
	Die Sicherung des Geräts ist durchgebrannt.	Tauschen Sie die Sicherung aus.
	Das Gerät ist überhitzt und der Thermoschutzschalter hat ausgelöst.	Ziehen Sie das Netzkabel oder schalten Sie den Sicherungsschalter aus. Lassen Sie das Gerät zum Zurücksetzen des Thermoschutzschalters 15 Minuten abkühlen und schließen Sie dann das Netzkabel wieder an oder schalten Sie den Sicherungsschalter ein.
Das Gerät ist zu den Standardeinstellungen zurückgekehrt.	Stromausfall.	Reprogrammieren Sie das Gerät auf die ursprünglichen Einstellungen (gilt nicht für alle Geräte).
Die Fernbedienung funktioniert nicht.	Schwache oder leere Batterien.	Tauschen Sie die Batterien in der Fernbedienung aus.
	Fehlfunktion des Fernempfängers.	Vergewissern Sie sich, dass der Fernempfänger nicht blockiert wird. Tauschen Sie das Bedienfeld aus.
Es kommt keine warme Luft aus dem Gerät.	Es wurde keine Heizeinstellung ausgewählt.	Siehe Abschnitt „Betrieb“.
	Der Heizer wurde gesperrt.	Siehe Abschnitt „Betrieb“.
	Die Raumtemperatur ist höher als die Geräteeinstellung (falls auf Raumtemperatur gestellt).	Setzen Sie die Temperatureinstellung zurück.
	Das Gerät ist überhitzt und der Thermoschutzschalter hat ausgelöst.	Ziehen Sie den Netzstecker oder schalten Sie den Sicherungsschalter aus. Lassen Sie das Gerät 15 Minuten lang abkühlen.
	Probleme mit dem Heizer	Überprüfen Sie das Gebläse und den Heizer und tauschen Sie sie gegebenenfalls aus.
Der Heizer schaltet automatisch aus.	Der Raum ist zu warm.	Der Heizer hat einen eingebauten Thermostat. Er schaltet sich daher automatisch aus, sobald die voreingestellte Temperatur erreicht ist. Er schaltet sich wieder ein, sobald die Raumtemperatur unter die voreingestellte Temperatur fällt.
Schwache oder keine Flamme.	Flammenhelligkeit nicht ausgewählt.	Siehe Abschnitt „Betrieb“.
	Problem mit Flammen-LED.	Überprüfen Sie die LED und tauschen Sie sie gegebenenfalls aus.
	Problem mit der Hauptleiterplatte.	Überprüfen Sie die Hauptleiterplatte und tauschen Sie sie gegebenenfalls aus.
Flamme bewegt sich nicht.	Motor ist abgewürgt/funktioniert nicht.	Zyklus ein/aus. Wenn das Problem weiterhin besteht, wenden Sie sich an Ihren Händler.

# Fehlerbehebung

DE

Symptom	Problem	Lösung
Das Glutbett glüht nicht und wird auch nicht dunkler.	Die Helligkeit wurde nicht ausgewählt.	Siehe Abschnitt „Betrieb“.
	Problem mit der Glut-LED.	Überprüfen Sie die Glutbett-LED und tauschen Sie sie gegebenenfalls aus.
	Problem mit der Hauptleiterplatte.	Überprüfen Sie die Hauptleiterplatte und tauschen Sie sie gegebenenfalls aus.
LED blinkt „ON“.	Das Gerät ist überhitzt und der Thermoschutzschalter hat ausgelöst.	Ziehen Sie den Netzstecker oder schalten Sie den Sicherungsschalter aus. Lassen Sie das Gerät 15 Minuten abkühlen und schließen Sie dann das Netzkabel wieder an oder schalten Sie den Sicherungsschalter ein. Wenn das Problem weiterhin besteht, wenden Sie sich an Ihren Händler.

**Napoleon** Elektrogeräte werden unter dem strengen Standard der weltweit anerkannten Qualitätsmanagementnorm ISO 9001 : 2015 hergestellt.

Die Produkte von **Napoleon** werden mit hochwertigen Komponenten und Materialien entwickelt und von qualifizierten Facharbeitern montiert, die großen Wert auf die Qualität ihrer Arbeit legen. Nach der Montage wird das komplette Gerät vor dem Verpacken von einem qualifizierten und zugelassenen Installateur, einer Servicestelle oder einem Lieferanten gründlich inspiziert, um sicherzustellen, dass Sie als Kunde das Qualitätsprodukt erhalten, das Sie von **Napoleon** erwarten.

## Eingeschränkte Garantie von Napoleon auf Elektrogeräte

Elektrische Komponenten und Verschleißteile sind abgedeckt, und **Napoleon** stellt während der ersten 2 Jahre der eingeschränkten Garantie kostenlos Ersatzteile zur Verfügung. Dies beinhaltet: Lüfter/Heizgeräte, Motoren, Schalter, Nylon-Lagerkomponenten, Fernbedienungen und LED-Leuchten.\*

Glühlampen und Sicherungen sind NICHT durch die Garantie abgedeckt.

Jegliche Arbeit im Zusammenhang mit Garantireparaturen ist nicht abgedeckt.

\* Die Konstruktion verschiedener Modelle variiert. Die Garantie gilt nur für Komponenten Ihres spezifischen Geräts.

## Bedingungen und Einschränkungen

**Napoleon** übernimmt die Gewährleistung seiner Produkte für Herstellungsfehler ausschließlich dem ursprünglichen Käufer gegenüber. Eine Registrierung Ihrer Garantie ist nicht erforderlich. Legen Sie einfach Ihren Kaufbeleg zusammen mit der Modell- oder Seriennummer vor, um einen Garantieanspruch geltend zu machen. Vorausgesetzt, dass der Kauf über einen autorisierten **Napoleon** Händler erfolgt ist, gelten für unser Gerät folgende Bedingungen und Einschränkungen:

Der Garantieanspruch beginnt mit dem Datum der ursprünglichen Installation.

Diese Werksgewährleistung ist nicht übertragbar und kann in keiner Form von einem unserer Vertreter verlängert werden.

Der Einbau hat in Übereinstimmung mit der im Lieferumfang enthaltenen Einbauanleitung sowie lokalen und nationalen Bau- und Brandschutzverordnungen zu erfolgen.

Diese eingeschränkte Gewährleistung deckt keine Schäden ab, die durch Fehlgebrauch, fehlende Wartung, Unfälle, Umbau, unsachgemäße Verwendung oder Nachlässigkeit entstehen; durch den Einbau von Ersatzteilen anderer Hersteller wird diese Gewährleistung nichtig.

Diese eingeschränkte Gewährleistung deckt des Weiteren keine Kratzer, Dellen, Korrosion oder Verfärbungen durch Hitze, abrasive und chemische Reinigungsmittel sowie das Ablättern bei porzellanisierten Teilen oder mechanischen Bruch von PHAZER™ Holzscheiten ab.

Nur in den ersten 2 Jahren erstreckt sich diese Garantie auf die Reparatur oder den Ersatz von Teilen, die unter die Garantie fallen und Material- oder Verarbeitungsfehler aufweisen, vorausgesetzt, dass das Produkt in Übereinstimmung mit der Bedienungsanleitung und unter normalen Bedingungen betrieben wurde.

**Napoleon** übernimmt keine Verantwortung für den Einbau, die Arbeitskosten oder andere Ausgaben im Zusammenhang mit dem erneuten Einbau des über die Gewährleistung bezogenen Teils; und solche Kosten werden von dieser Gewährleistung nicht abgedeckt. Unbeschadet anders lautender Bestimmungen in dieser eingeschränkten Gewährleistung ist die Verantwortung von **Napoleon** wie oben beschrieben definiert und wird in keinem Fall auf zufällige, daraus folgende oder indirekte Schäden erweitert.

Diese Garantie definiert die Verpflichtungen und die Haftung von **Napoleon** in Bezug auf das **Napoleon** Elektrogerät und alle anderen ausdrücklichen oder impliziten Garantien in Bezug auf dieses Produkt; seine Komponenten oder Zubehörteile sind ausgeschlossen.

**Napoleon** übernimmt keine weiteren Haftungen im Hinblick auf den Verkauf dieses Produkts und autorisiert keine Dritten zur Übernahme solcher Haftungen.

Jegliche Schäden an Geräten, Messingbeschlägen oder anderen Komponenten durch Wasser, Witterungsschäden, lange Feuchtigkeitsperioden, Kondenswasser, schädliche Chemikalien oder Reinigungsmittel fallen nicht in die Verantwortung von **Napoleon**.

**Napoleon** behält sich das Recht vor, das Produkt oder das Teil vor der Gewährung der Ansprüche durch einen Vertreter überprüfen zu lassen.

Für alle im Rahmen der eingeschränkten Gewährleistung ausgetauschten Teile ist nur ein einzelner Anspruch möglich.

Alle Teile, die im Rahmen der Garantie ersetzt werden, sind für einen Zeitraum von 90 Tagen ab dem Datum ihrer Installation abgedeckt.

Der Hersteller kann verlangen, dass defekte Teile oder Produkte zurückgegeben werden oder dass digitale Bilder zur Unterstützung des Anspruchs zur Verfügung gestellt werden. Zurückgesandte Produkte sind zur Unterstützung franko an den Hersteller zu senden. Wenn festgestellt wird, dass ein Produkt defekt ist, repariert oder ersetzt der Hersteller diesen Defekt.

Bevor Sie Ihr Gerät oder defekte Komponenten versenden, muss Ihr Händler eine Autorisierungsnummer erhalten. Alle ohne Genehmigung versendeten Waren werden nicht angenommen und an den Absender zurückgeschickt.

Versandkosten sind nicht durch diese Garantie abgedeckt.

Es können zusätzliche Servicegebühren anfallen, wenn Sie Garantieleistungen von einem Händler in Anspruch nehmen.

Alle Spezifikationen und das Design können aufgrund von laufenden Produktverbesserungen ohne vorherige Ankündigung geändert werden.

**Napoleon** ist eine eingetragene Marke von Wolf Steel Ltd.

# FEIERN SIE MIT UNS – SEIT ÜBER 40 JAHREN WOHNKOMFORT PRODUKTE VON NAPOLEON!



**WEEE: DE 16309132**



**Bedeutung der durchgestrichenen Abfalltonne auf Rädern:**

**Entsorgen Sie Elektrogeräte nicht über den Hausmüll. Nutzen Sie separate Sammelstellen. Informationen zu verfügbaren Sammelsystemen erhalten Sie bei Ihrer Gemeindeverwaltung. Wenn Elektrogeräte auf Müllhalden oder Deponien entsorgt werden, können gefährliche Stoffe in das Grundwasser und damit in die Nahrungskette gelangen, was eine Gefahr für Gesundheit und Wohlbefinden darstellt.**

**Beim Austausch alter Geräte gegen neue ist der Händler gesetzlich verpflichtet, Ihr altes Gerät mindestens kostenfrei zurückzunehmen.**



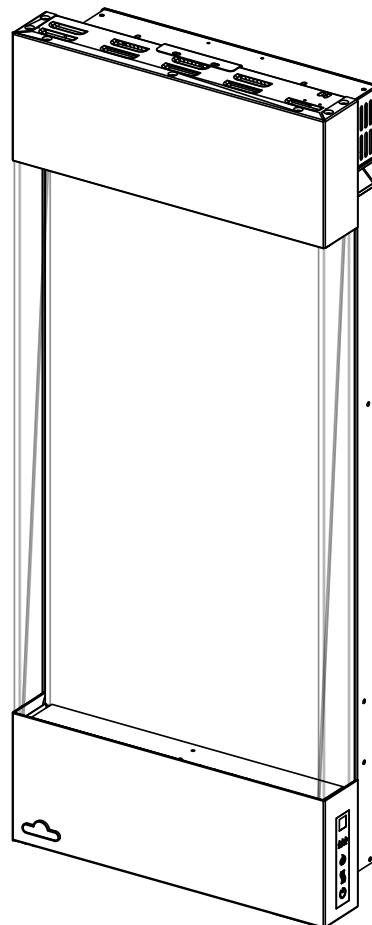
7200, Route Transcanadienne, Montréal, Québec H4T 1A3  
24 Napoleon Road, Barrie, Ontario, Canada L4M 0G8  
214 Bayview Drive, Barrie, Ontario, Canada L4N 4Y8  
103 Miller Drive, Crittenden, Kentucky, USA 41030  
De Riemsdijk 22, 4004 LC Tiel, Niederlande  
napoleon.com



# INSTALLATIE- EN BEDIENINGSHANDLEIDING

## Allure™ Verticale Serie

(Illustratie van NEFVC38H-EU)



### VEILIGHEIDSINFORMATIE

#### ⚠ WAARSCHUWING

##### BRAND- OF EXPLOSIEGEVAAR

Nalaten de informatie in deze instructies nauwlettend te volgen, kan brand of een explosie met materiële schade, persoonlijk letsel of overlijden tot gevolg hebben.

- Gebruik of bewaar geen benzine of andere ontvlambare dampen en vloeistoffen in de buurt van dit of enig ander apparaat.

##### INSTALLATEUR:

Laat deze handleiding bij het apparaat achter

##### EIGENAAR:

Bewaar deze handleiding voor toekomstig gebruik

### ALLEEN VOOR GEBRUIK BINNENSHUIS



BRENG HET SERIENUMMER VAN DE DOOS AAN



## WAARSCHUWING

- **Als het apparaat is uitgerust met een verwarming kan het apparaat tijdens gebruik heet worden en bij aanraking ernstige brandwonden veroorzaken.**
- Gebruik het apparaat niet voordat u de bedieningsinstructies hebt gelezen en begrepen. Als het apparaat niet volgens de bedieningsinstructies wordt gebruikt, kan dit tot brand of letsel leiden.
- Installeer geen beschadigde, onvolledige of vervangende onderdelen.
- Brand geen hout of andere materialen in dit apparaat.
- Alle elektrische apparaten bevatten hete onderdelen en kunnen vonkoverslag of vonken veroorzaken. Gebruik het apparaat niet in omgevingen waar een gasleiding, verf of ontvlambare vloeistoffen aanwezig zijn.
- Alle veiligheidsrekken of haardschermen die voor onderhoud zijn verwijderd, moeten worden teruggeplaatst voordat u het apparaat gebruikt.
- Het is van groot belang dat de bedieningscompartimenten, de circulatieblower en de doorgang in het apparaat schoon worden gehouden. Het apparaat moet vóór gebruik en ten minste eenmaal per jaar worden geïnspecteerd door een erkende servicemonteur. U moet het apparaat mogelijk vaker reinigen als gevolg van overmatige pluis van vloerbedekking, beddengoed, etc. De ruimte rond het apparaat mag geen brandbare materialen, benzine of andere ontvlambare dampen en vloeistoffen bevatten.
- Dit apparaat mag in geen geval worden gemodificeerd.
- Gebruik dit apparaat niet als een deel ervan onder water is geweest. Neem onmiddellijk contact op met een erkende servicemonteur om het apparaat te laten inspecteren en om de onderdelen van het regelsysteem te vervangen die onder water zijn geweest.
- Als het apparaat is uitgerust met het glasfront, mag u het apparaat niet bedienen als de glazen deur is verwijderd, gebarsten of gebroken. Het glas moet worden vervangen door een bevoegde of erkende servicemonteur. Gooi of sla de glazen deur van het apparaat niet dicht.
- Houd het verpakkingsmateriaal buiten het bereik van kinderen en voer het materiaal op een veilige manier af. Net als een plastic zak is verpakkingsmateriaal geen speelgoed, en moet uit de buurt van kinderen en baby's worden gehouden.
- Onderhoud mag alleen worden uitgevoerd als het apparaat is losgekoppeld van het elektriciteitsnet.
- Haal altijd de stekker uit het stopcontact wanneer u het apparaat niet gebruikt.
- Gebruik dit apparaat niet als het snoer of de stekker beschadigd is nadat het apparaat defect geraakt is of gevallen of beschadigd is. Breng het apparaat naar een erkende onderhoudsdienst voor controle, elektrische of mechanische afstelling of reparatie.
- Niet buitenshuis gebruiken.
- Als u dit apparaat in een ruimte installeert waar water aanwezig is, moet de installatie voldoen aan de voorschriften voor ruimtes met een verhoogd gevaar voor elektrische schokken en elektrocutie.

### **opmerking:**

Dit apparaat is NIET geschikt voor installatie in een badkamer.

- Leg het snoer niet onder vloerbedekking. Bedek het snoer niet met vloerkleden, lopers of vergelijkbare attributen. Houd het snoer uit looppaden om ervoor te zorgen dat niemand erover struikelt.
- Alleen aansluiten op een goed geaard stopcontact.
- Zorg dat er geen voorwerpen in de ventilatie- of uitlaatopeningen komen, omdat dit elektrische schok of brand kan veroorzaken of het apparaat kan beschadigen.
- Het is normaal dat uw elektrische apparaat geluid maakt, vooral wanneer het in een stille ruimte zoals een slaapkamer wordt geïnstalleerd.



 **WAARSCHUWING**

- Om een eventuele brand te voorkomen, mag u de luchtinlaat of uitlaat op geen enkele wijze blokkeren. Gebruik het apparaat niet op zachte oppervlakken, zoals een vloerkleed, waar openingen geblokkeerd kunnen raken.
- Sluit apparaten altijd rechtstreeks aan op een wandcontactdoos/stopcontact. Gebruik nooit een verlengsnoer of een verplaatsbare stekkerdoos (verdeeldoos).
- Deze elektrische apparaten zijn alleen getest en bedoeld voor gebruik met de optionele accessoires die in deze instructies worden vermeld. Door optionele accessoires te gebruiken die niet specifiek voor dit apparaat zijn getest, kan de garantie vervallen en/of veiligheidsgevaar ontstaan.

 **WAARSCHUWING:** Dit product kan u blootstellen aan chemicaliën zoals lood en loodverbindingen, die in de staat Californië bekend staan als kankerverwekkend, en aan chemicaliën zoals BBP en DEHP, die in de staat Californië bekend staan als stoffen die geboortefwijkingen of andere reproductieve schade veroorzaken. Ga voor meer informatie naar [www.P65Warnings.ca.gov](http://www.P65Warnings.ca.gov).

# inhoudsopgave

NL

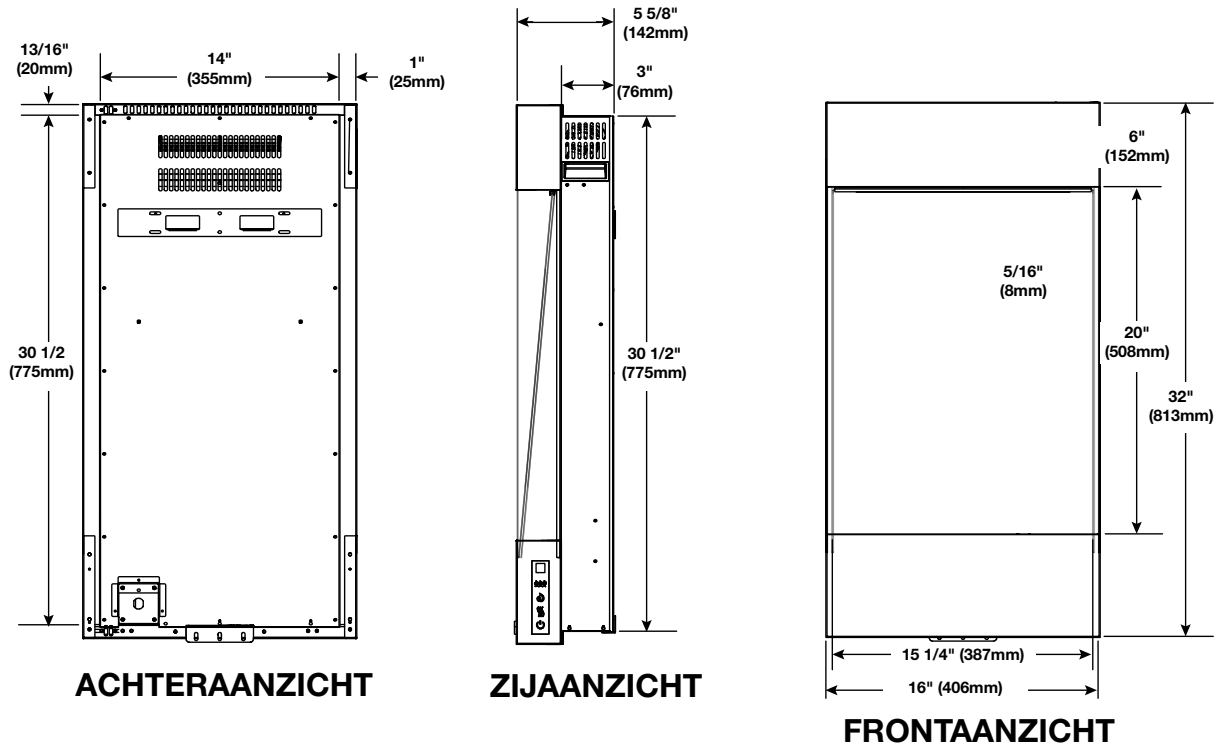
<b>1.0</b>	<b>algemene informatie</b>	<b>95</b>
1.1	afmetingen	95
1.2	goedkeuringen	96
1.3	algemene instructies	96
1.4	het apparaat uitpakken en testen	96
1.5	informatie typeplaatje	97
1.6	Lijst montagemateriaal	97
<b>2.0</b>	<b>installeren</b>	<b>98</b>
1.7	de locatie van het apparaat	98
2.1	minimale afstand tot brandbare stoffen	99
2.2	minimale afstand tot de mantel	99
2.3	het apparaat aan de muur bevestigen (wandmontage)	100
2.4	het apparaat aan de muur bevestigen (ingebouwd)	103
<b>3.0</b>	<b>afwerking</b>	<b>104</b>
3.1	plaatsen van het kristal	104
3.2	installeren van het glazen deurpaneel	105
3.3	verwijderen van het glazen deurpaneel	106
<b>4.0</b>	<b>elektriciteit</b>	<b>107</b>
4.1	bedradingsschema	107
4.2	installeren via vaste bedrading	108
<b>5.0</b>	<b>bedieningsinstructies</b>	<b>109</b>
5.1	het bedieningspaneel	109
5.2	bediening met de afstandsbediening	110
5.3	timerinstellingen op de afstandsbediening	111
5.3.1	huidige dag en tijd instellen	111
5.3.2	AAN/UIT-tijd en -temperatuur op een wekelijkse cyclus instellen	111
5.4	waarschuwing voor open raam	112
<b>6.0</b>	<b>vervangingsonderdelen</b>	<b>113</b>
6.1	Overzicht NEFVC32H-EU	114
6.2	Overzicht NEFVC38H-EU	115
<b>7.0</b>	<b>accessoires</b>	<b>116</b>
<b>8.0</b>	<b>probleemoplossing</b>	<b>117</b>
<b>9.0</b>	<b>garantie</b>	<b>119</b>

## opmerking:

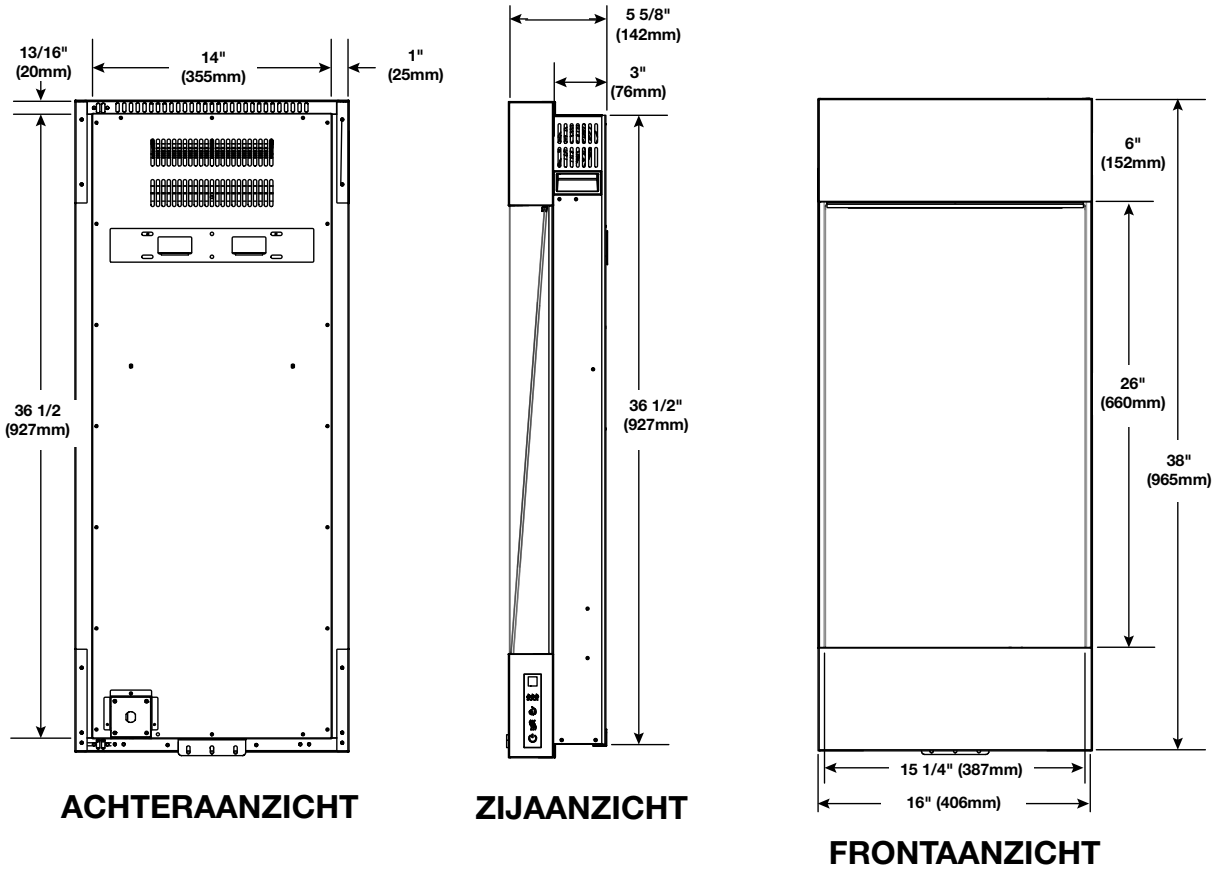
De informatie in deze handleiding wordt verondersteld juist te zijn op de datum waarop het is gedrukt. Wolf Steel Ltd. behoudt zich het recht voor om informatie in deze handleiding zonder voorafgaande kennisgeving te wijzigen. Andere wijzigingen dan redactionele wijzigingen worden aangegeven met een verticale lijn in de kantlijn.

## 1.1 afmetingen

### Illustratie van NEFVC32H-EU



### Illustratie van NEFVC38H-EU



# algemene informatie

NL

## 1.2 goedkeuringen

<b>Modelnummer</b>	NEFVC32H-EU	NEFVC38H-EU
<b>Omschrijving</b>	Eigentijds verticaal elektrisch apparaat van 81 cm	Eigentijds verticaal elektrisch apparaat van 97 cm
<b>Spanning</b>	220-240 V wisselspanning	
<b>Vermogen</b>	Max. 1400-1600 W	
<b>Stroom</b>	Geaard circuit van 15 A	
<b>Breedte van het apparaat</b>	406 mm (16 inch)	
<b>Hoogte van het apparaat</b>	813 mm (32 inch)	965 mm (38 inch)
<b>Diepte van het apparaat</b>	142 mm (5 5/8 inch)	
<b>Nettogewicht</b>	11,3 kg (25 lbs)	12,8 kg (28,2 lbs)
<b>Brutogewicht</b>	15 kg (33 lbs)	17,5 kg (38,5 lbs)

## 1.3 algemene instructies

- Controleer voordat u het apparaat op een stopcontact aansluit of de stroomonderbrekers voor dat stopcontact zijn ingeschakeld.
- Het apparaat kan een lichte, onschadelijke geur afgeven wanneer het voor het eerst wordt gebruikt. Deze geur is normaal en eenmalig en wordt afgegeven door interne elementen die voor het eerst worden verwarmd.
- Als het apparaat geen warmte afgeeft als dat wel zou moeten, raadpleegt u het hoofdstuk 'bedieningsinstructies' in deze handleiding voor meer informatie.
- Leg het netsnoer niet direct onder het apparaat.

Net als bij de meeste elektronische apparaten is uw nieuwe apparaat ontworpen voor gebruik bij een temperatuur tussen de 5 °C (41 °F) en 35 °C (95 °F). Laat het apparaat tijdens de koudere wintermaanden eerst op kamertemperatuur komen voordat u het inschakelt.

## 1.4 het apparaat uitpakken en testen

Haal het apparaat voorzichtig uit de doos en verwijder de beugels. Verwijder voordat u het apparaat installeert al het verpakkingsmateriaal en test of het apparaat goed werkt door het netsnoer aan te sluiten op een gunstig geplaatst, geaard stopcontact van 220-240 V en minimaal 10 A.



Batterijen moeten worden afgevoerd volgens de plaatselijke wet- en regelgeving. Sommige batterijen kunnen worden gerecycled en ingeleverd bij uw plaatselijke recyclingcentrum. Neem contact op met uw gemeente voor recyclinginstructies.

1.5 informatie typeplaatje

ELECTRIC FIREPLACE. SUITABLE FOR BEDROOM AND BED-SITTING ROOM INSTALLATION. SUITABLE FOR MOBILE HOME INSTALLATION.

VOLTAGE: 220-240 VAC  
 FREQUENCY: 50Hz  
 POWER: 1400 - 1600 W  
 DATE CODE: XXXXX

CE TÜV Rheinland ZERTIFIZIERT GS Reach RoHS

MODELS

NEFVC38H-EU       NEFVC32H-EU

Manufacturer: Wolf Steel Ltd.  
 24 Napoleon Road,  
 Barrie, ON, L4M 0G8 Canada

Importer: Wolf Steel Europe BV  
 De Riemsdijk 22, 4004 LC Tiel,  
 The Netherlands

DESIGNED IN NORTH AMERICA  
 BY WOLF STEEL LTD.  
 MADE IN CHINA

SERIAL NUMBER: **NEFVC##000000** W385-2594

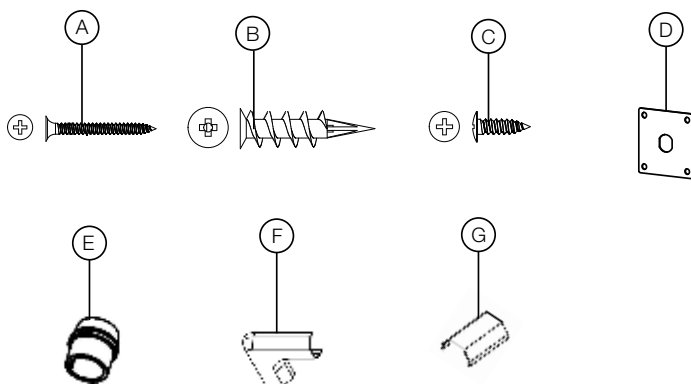
Zie het hoofdstuk 'locatie van het label' voor de locatie van het typeplaatje.

Deze afbeelding dient uitsluitend ter illustratie. Raadpleeg het typeplaatje op het apparaat voor de juiste informatie.

**opmerking:**

Het typeplaatje moet altijd op het apparaat blijven. Het mag niet worden verwijderd.

1.6 Lijst montagemateriaal



	Omschrijving	Aantal
<b>A</b>	Houtschroeven	6
<b>B</b>	Gipsplaatankers	6
<b>C</b>	ST4x12 Metaalschroeven	8
<b>D</b>	Afdekplaat	1
<b>E</b>	Trekontlasting	1
<b>F</b>	Snoerhoek	2
<b>G</b>	Snoerbeschermer	2

## 2.0 installeren

NL

### WAARSCHUWING

- Brandgevaar! Het netsnoer mag niet tegen een scherpe rand geklemd zitten. Zet het snoer vast om struikelen of vasthaken te voorkomen en de kans op brandgevaar, een elektrische schok of persoonlijk letsel te beperken. Leg het snoer niet onder vloerbedekking. Bedek het snoer niet met vloerkleden, lopers of vergelijkbare attributen. Houd het snoer uit looppaden om ervoor te zorgen dat niemand erover struikelt.
- Brandgevaar! Om een eventuele brand te voorkomen, mag u de luchtinlaat of uitlaat op geen enkele wijze blokkeren. Gebruik het apparaat niet op zachte oppervlakken waar openingen kunnen worden geblokkeerd.
- Brandgevaar! Blaas of plaats geen isolatie tegen het apparaat.
- Dit elektrische apparaat is alleen getest en bedoeld voor gebruik met de goedgekeurde optionele accessoires. Door optionele accessoires te gebruiken die niet specifiek voor dit elektrische apparaat zijn getest, kan de garantie vervallen en/of veiligheidsgevaar ontstaan.
- Nalaten de informatie in deze instructies nauwlettend te gebruiken, kan brand of een explosie met materiële schade, persoonlijk letsel of overlijden tot gevolg hebben. Bewaar of gebruik geen benzine of andere ontvlambare dampen in de buurt van dit of enig ander apparaat.
- Dit apparaat is zwaar. Het wordt sterk aanbevolen om dit apparaat met twee personen te installeren.
- Voor apparaten die zijn uitgerust met een verwarming, moet worden gezorgd dat de ventilatieopeningen op geen enkele wijze kunnen worden afgedekt, om brandgevaar te vermijden.
- Leg het netsnoer niet horizontaal, direct onder het apparaat.

Uw apparaat kan aan de muur of ingebouwd in de muur geïnstalleerd worden. Kies een geschikte, niet-vochtgevoelige locatie uit de buurt van gordijnen, meubels en looppaden.

#### **opmerking:**

Houd u aan alle nationale en plaatselijke elektrische voorschriften.

### 1.7 de locatie van het apparaat

#### WAARSCHUWING

- Vanwege de hoge temperatuur mag dit elektrische apparaat niet in looppaden worden geplaatst. Houd brandbare materialen zoals meubels, kussens, beddengoed, papier, kleding, gordijnen en soortgelijke voorwerpen minstens 91 cm (36 inch) van de voorzijde van het apparaat verwijderd.
- Plaats dit elektrische apparaat nooit ergens waar het in een badkuip of ander waterbassin kan vallen.
- Draag tijdens installatie en onderhoud veiligheidshandschoenen en een veiligheidsbril.
- Om aanraking met doorgezakte of losse isolatie te voorkomen, mag het apparaat niet worden geïnstalleerd tegen een vochtscherm of blootliggende isolatie. Lokale oververhitting kan optreden, wat kan leiden tot brand.
- Stel het apparaat niet bloot aan het weer (zoals regen).

## 2.1 minimale afstand tot brandbare stoffen

Afstand tot brandbare stoffen	
Tussen brandbare stof en bovenzijde	0 cm
Tussen brandbare stof en onderzijde	0 cm
Tussen brandbare stof en zijkanten	0 cm
Tussen brandbare stof en achterzijde	0 cm

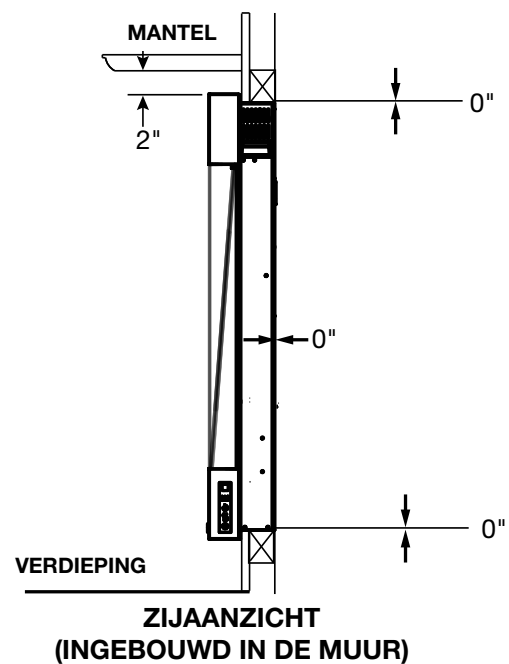
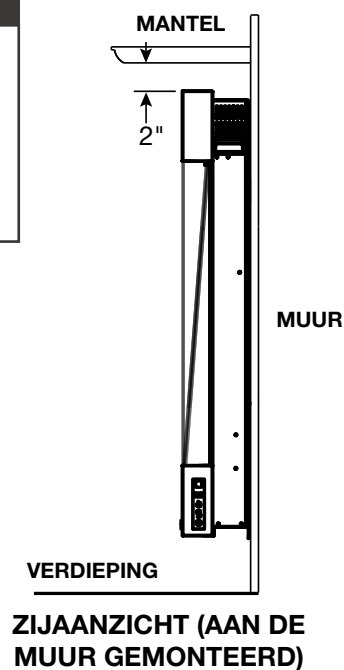
## 2.2 minimale afstand tot de mantel

### ! WAARSCHUWING

- Als u verf of lak gebruikt om de mantel af te werken, moet deze hittebestendig zijn om verkleuring te voorkomen.

#### opmerking:

Er is een opening van 51 mm (2 inch) tussen het apparaat en de mantel nodig om het apparaat op de steunhaken voor wandmontage te tillen of eraf te halen en om de bovenste beugel in te schroeven.



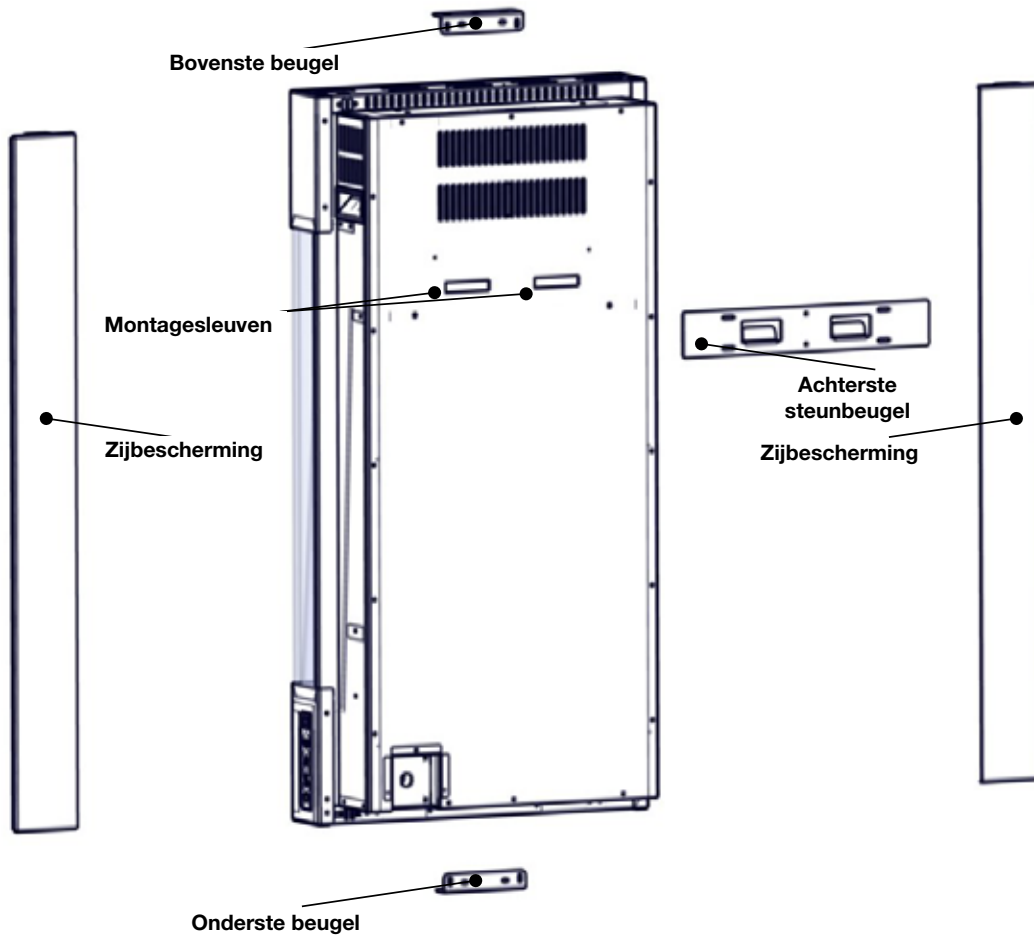
# installeren

## NL 2.3 het apparaat aan de muur bevestigen (wandmontage)

### ! WAARSCHUWING

- Raadpleeg uw plaatselijke bouwbedrijf voordat u het apparaat installeert. Het apparaat moet in overeenstemming met de lokale bouwverordeningen worden geïnstalleerd.
- Het apparaat moet worden geïnstalleerd op een niet-vochtgevoelige locatie.
- Het apparaat moet worden geïnstalleerd op een afstand van minstens 91 cm (36 inch) van brandbare materialen, zoals gordijnen, meubels, beddengoed, papier, etc.

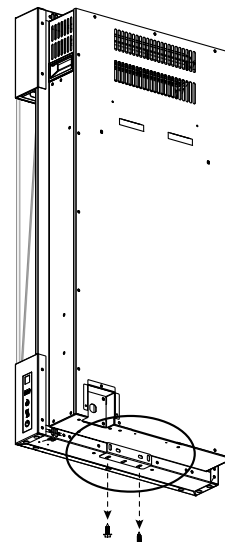
#### Apparaatoverzicht (achteraanzicht)



#### opmerking:

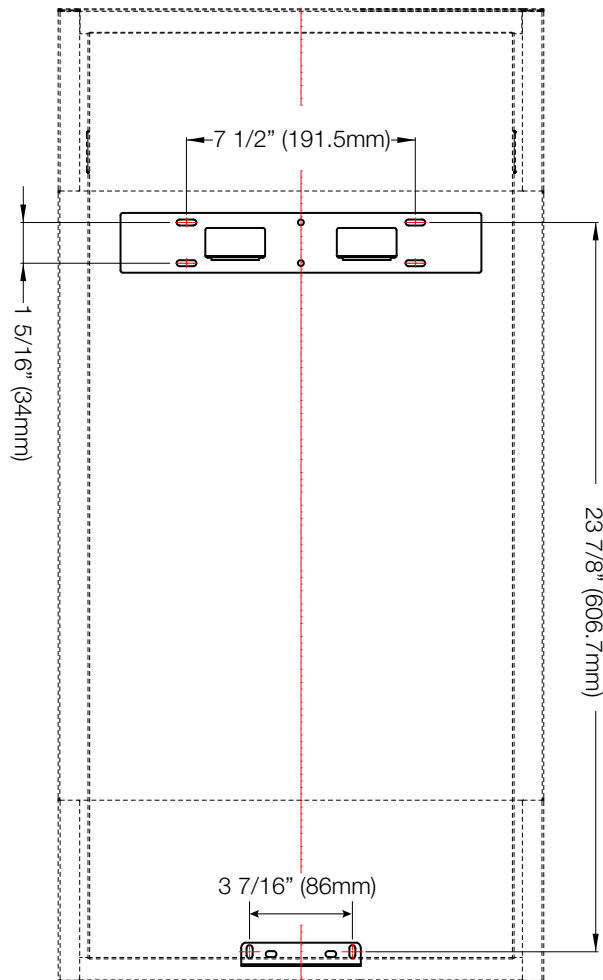
Het wordt sterk aanbevolen om dit apparaat met 2 personen te installeren.

1. Verwijder glazen voorpaneel (zie het hoofdstuk 'verwijderen/installeren van het glazen deurpaneel'). Verwijder bestaande media indien van toepassing.
2. Plaats het apparaat op een zacht, niet-schurend oppervlak en verwijder de zijbeschermers die bevestigd zijn aan de achterzijde van het apparaat. Zet opzij.
3. Verwijder de onderste beugel (**Afb. 1**). Zet opzij.
4. Houd het apparaat tegen de muur om de definitieve locatie te bepalen.

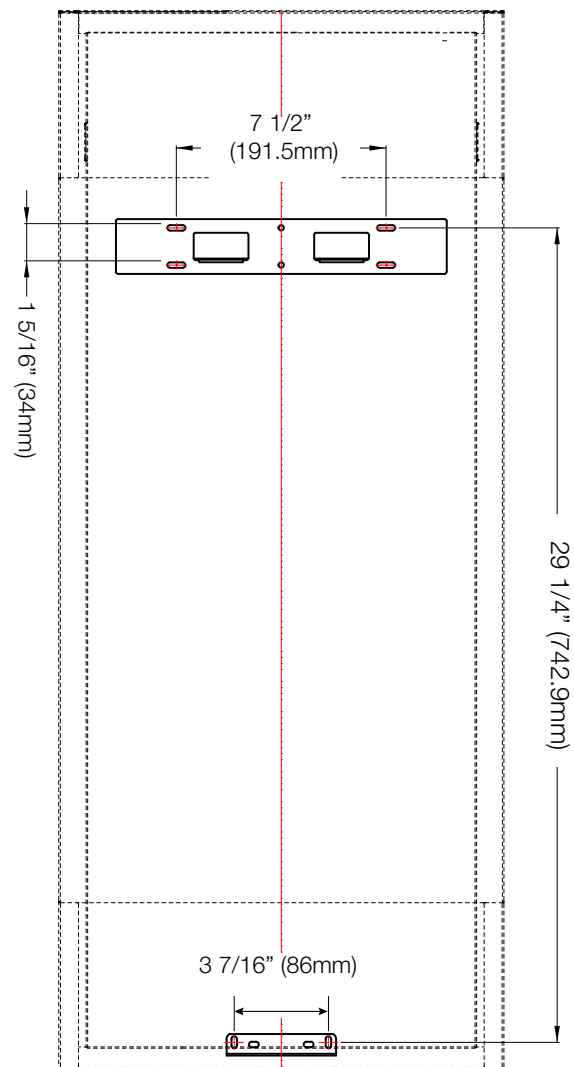


Afb. 1





**Afb. 2: NEFVC32H-EU** montagesjabloon voor wandmontage



**Afb. 3: NEFVC38H-EU** montagesjabloon voor wandmontage

5. Gebruik de geschikte montagesjabloon voor wandmontage (**Afb. 2 voor NEFVC32H-EU of Afb. 3 voor NEFVC38H-EU**), markeer de locatie van de beugel aan de achterzijde en de onderkant op de muur.

**opmerking:**

De montagebeugels moeten met ten minste 4 schroeven in de muurbalken worden geschroefd. Als de schroeven niet in een muurbalk geschroefd kunnen worden, moet u ervoor zorgen dat kunststof muurpluggen (meegeleverd) worden gebruikt om de beugel aan de muur te bevestigen en dat de beugels goed vastzitten.

6. Installeer de beugel voor muurbevestiging (geleverd in het stuk piepschuim dat de bovenkant van het apparaat beschermt) met behulp van 4 gipsplaatankers en 4 houtschroeven (meegeleverd). Zorg ervoor dat de beugel genivelleerd is.

**opmerking:**

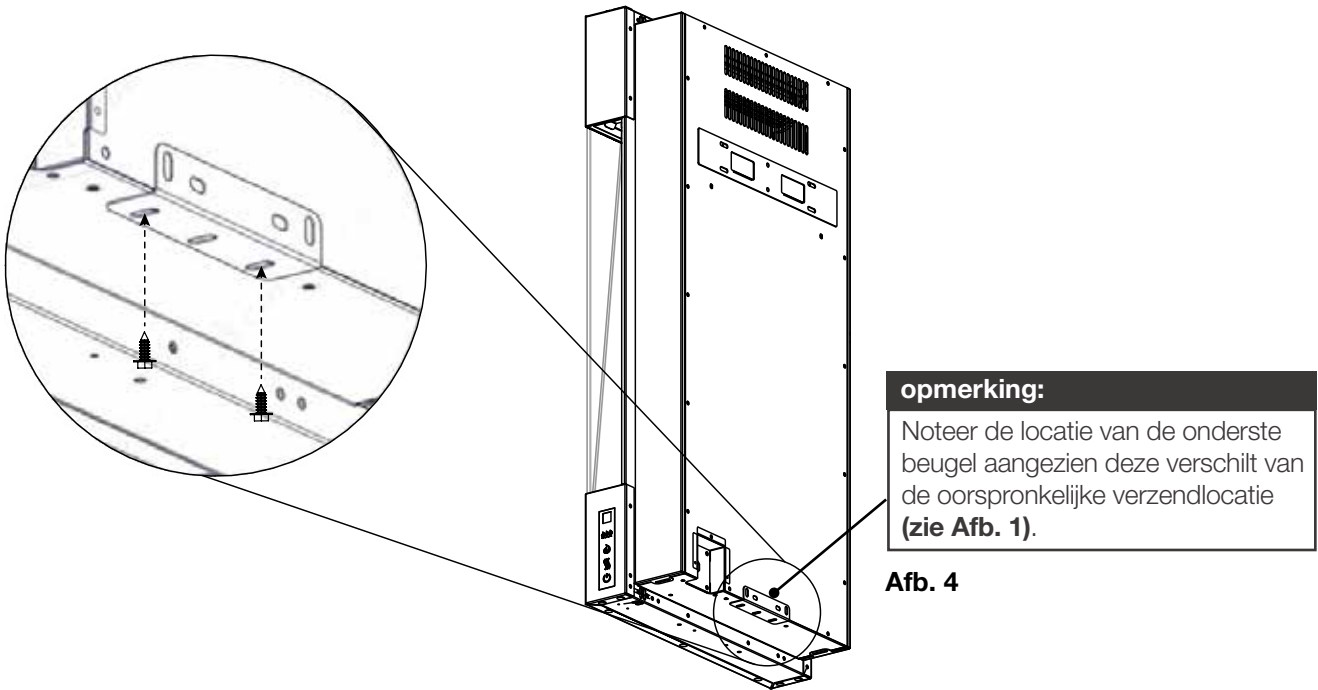
De haken op de beugel voor wandbevestiging moeten naar boven gericht zijn.

7. Bevestig de onderste beugel met 2 gipsplaatankers en 2 houtschroeven (meegeleverd).
8. Til het apparaat op tot de twee montagesleuven over de haken op de beugel voor wandbevestiging aan de achterzijde vallen. Schuif het apparaat omlaag totdat het stevig vastzit.

# installeren

NL

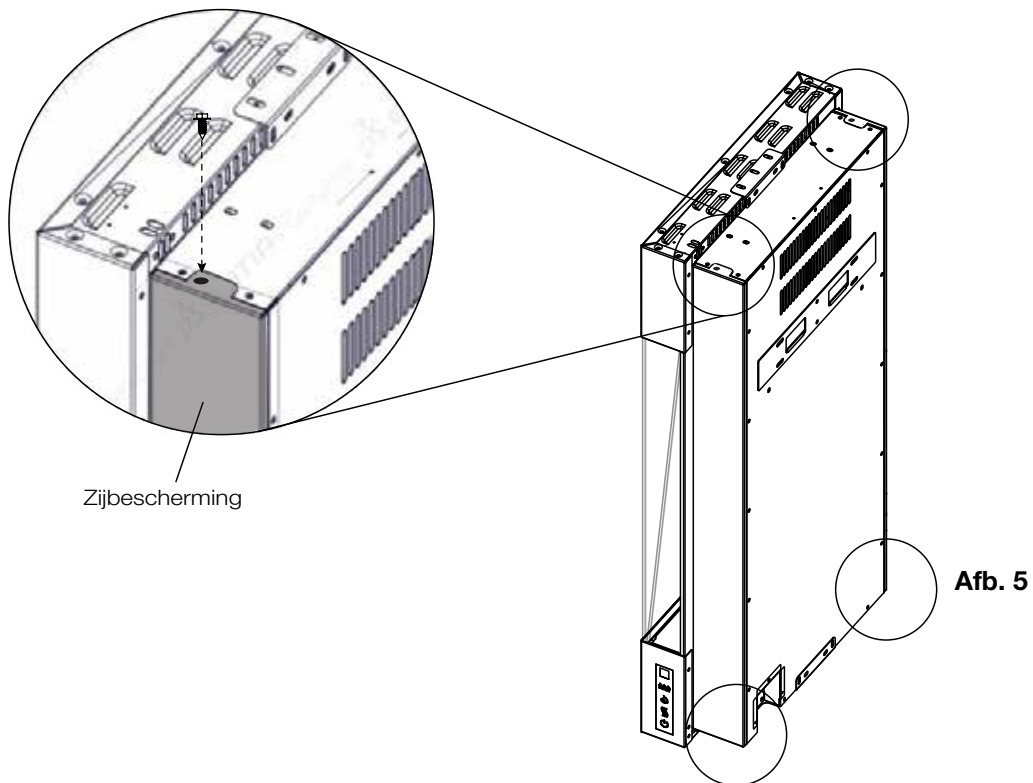
9. Bevestig het apparaat aan de onderste beugel met de schroeven die u in stap 3 hebt verwijderd (**Afb. 4**).



10. Installeer de media in de vuurbak (zie het hoofdstuk 'afwerking').

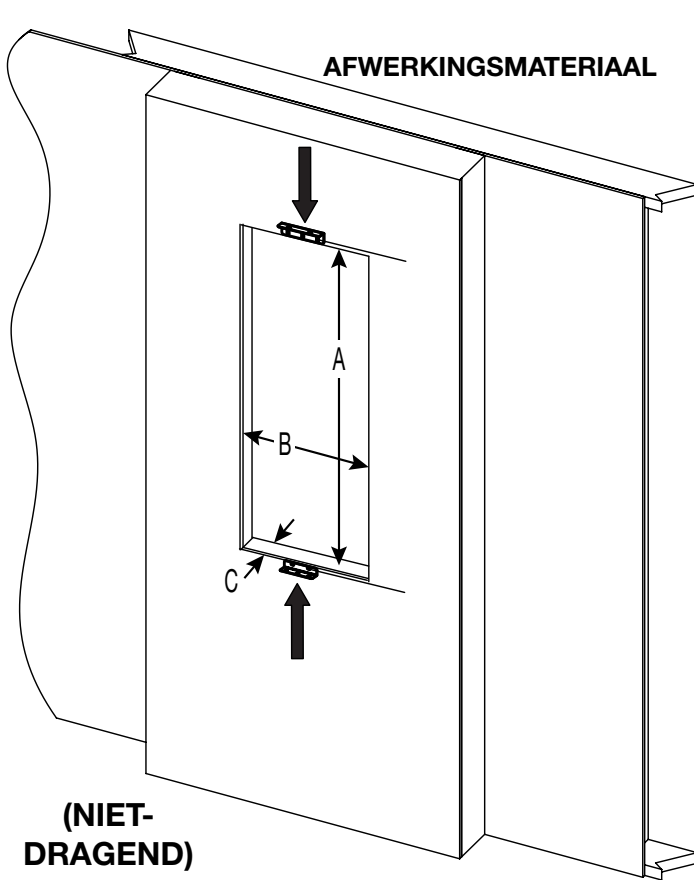
11. Installeer het glazen voorpaneel (zie het hoofdstuk 'verwijderen/installeren van het glazen deurpaneel').

12. Plaats de zijbeschermers met de 4 schroeven die u in stap 2 hebt verwijderd (**afb. 5**).

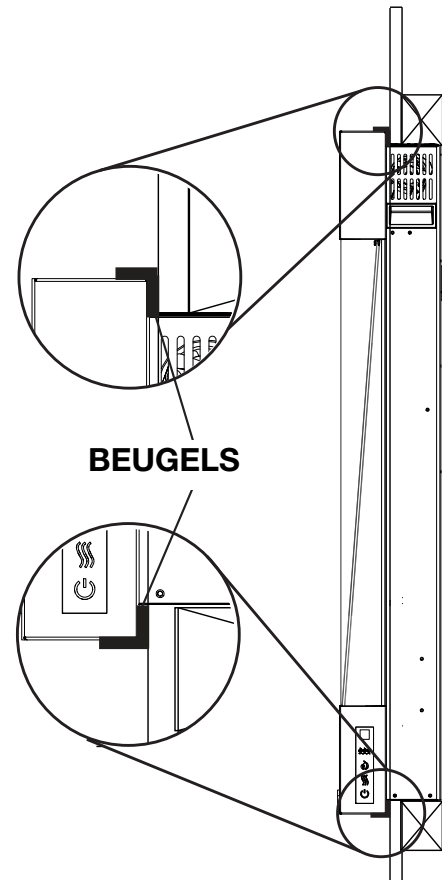


2.4 het apparaat aan de muur bevestigen (ingebouwd)

Afmetingen vanaf behuizing van het apparaat:	
Zijkanten, achterzijde en bovenzijde	0 cm



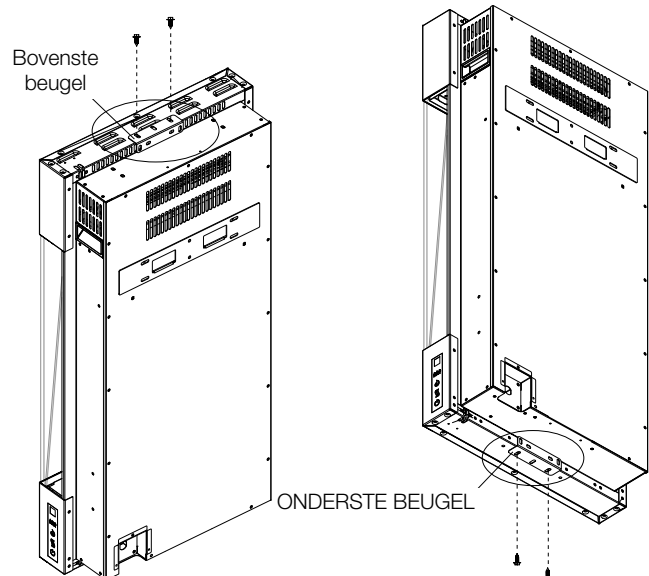
(NIET-DRAGEND)



ZIJAANZICHT (INGEBOUWD IN DE MUUR)

Modelnr.	A	B	C
NEFVC32H-EU	78,1 cm (30 3/4 inch)	36,8 cm (14 1/2 inch)	8,9 cm (3 1/2 inch) min.
NEFVC38H-EU	93,3 cm (36 3/4 inch)		

1. Verwijder de zijbeschermers bevestigd aan de achterzijde van het apparaat.
2. Plaats het apparaat in de inbouw en markeer vervolgens de locaties van de bovenste en onderste beugel. Verwijder het apparaat uit de inbouw en plaats het op een zacht, niet-schurend oppervlak.
3. Verwijder de bovenste en onderste beugel (**Afb. 1**).
4. Gebruik de markering van locatie van de bovenste en onderste beugel uit stap 2 om de bovenste en onderste beugel met 4 schroeven (meegeleverd) aan de muur te bevestigen.
5. Plaats het apparaat opnieuw in de inbouw en bevestig het vervolgens aan de bovenste en onderste beugel (**Afb. 1**).



Afb. 1

## 3.0 afwerking

NL

### **!** WAARSCHUWING

- De elektrische voeding moet volledig zijn aangelegd voordat de afwerking wordt voltooid, om herbouw te vermijden.
- Ventilatioosters en luchtopeningen mogen onder geen beding worden afgedekt.

### 3.1 plaatsen van het kristal

#### opmerking:

Het glazen deurpaneel moet zijn verwijderd en het apparaat moet op de definitieve locatie zijn vastgezet voordat de donkere kristallen worden geplaatst zie het hoofdstuk 'verwijderen van het glazen deurpaneel').

1. Plaats de donkere kristallen voorzichtig in de onderlade (**Afb. 1**).
2. Verdeel de kristallen gelijkmatig over de hele breedte.
3. Plaats de 3 grote kristallen willekeurig op de kleine kristallen.



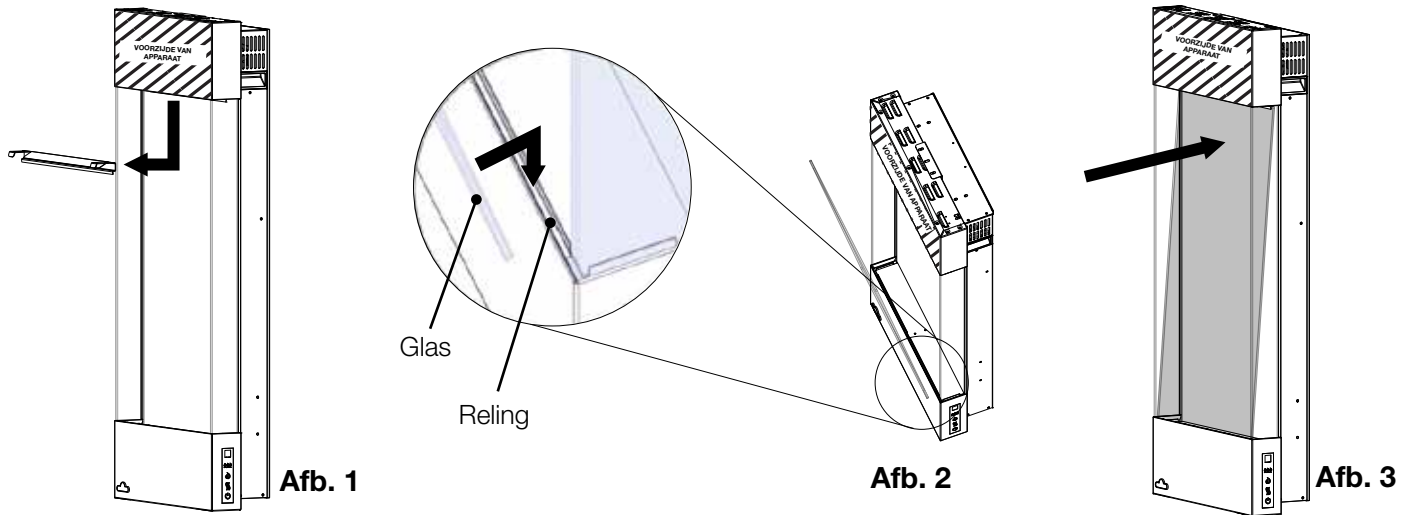
**Afb. 1**

### 3.2 installeren van het glazen deurpaneel

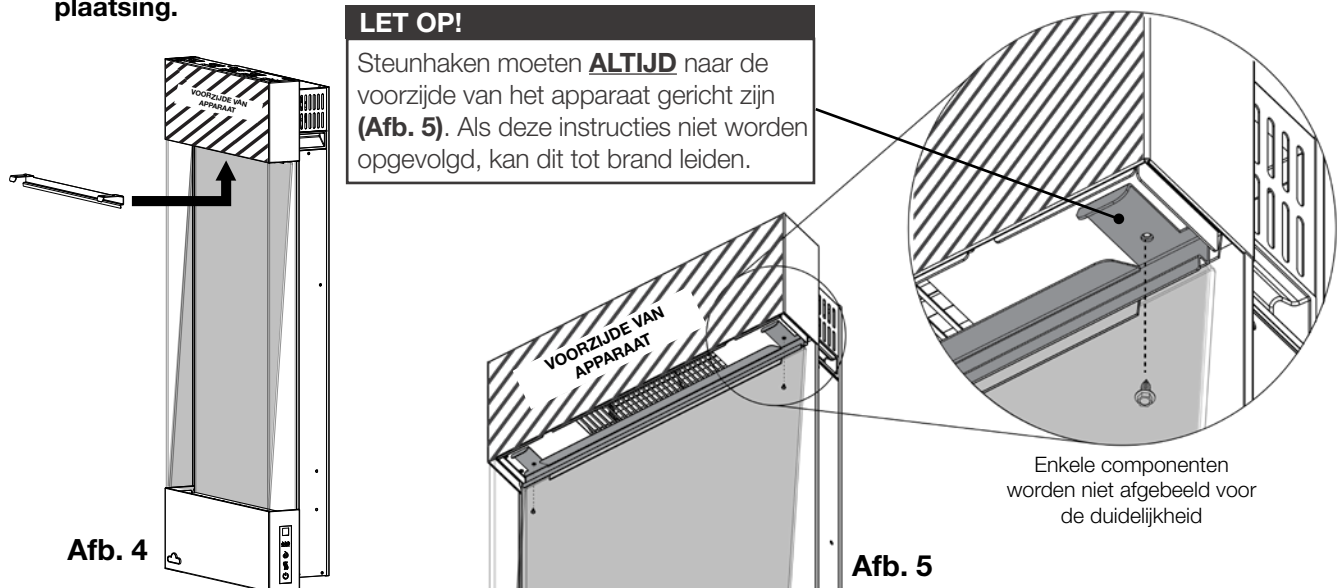
## ! WAARSCHUWING

- Bekledings- en afbouwmaterialen mogen de luchtstroming door lucht- en ventilatieopeningen en de bediening van ventilatieopeningen of deuren/onderhoudsopeningen niet belemmeren. Houd u aan alle minimale afstanden bij het aanbrengen van brandbare materialen.
- Schakel het apparaat uit en wacht tot het apparaat koel aanvoelt voordat u de deur verwijdert. De deuren zijn zwaar en breekbaar, dus ga voorzichtig te werk.

1. Verwijder de bevestigingsbeugel door de 2 schroeven te verwijderen (**Afb. 1**). **Noteer de oriëntatie van de bevestigingsbeugel.**
2. Plaats het glas op de reling in de vuurbak (**Afb. 2**).
3. Duw de bovenkant van het glas tegen de bovenkant van het kunststof paneel (**Afb. 3**).



4. Plaats de bevestigingsbeugel aan de bovenkant van het apparaat zoals weergegeven, met behulp van de 2 schroeven die u in stap 1 hebt verwijderd (**Afb. 4 en 5**). **Het glas moet vastgemaakt worden na plaatsing.**

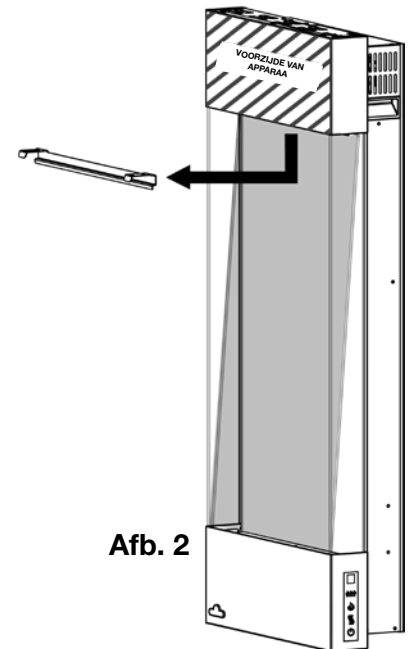
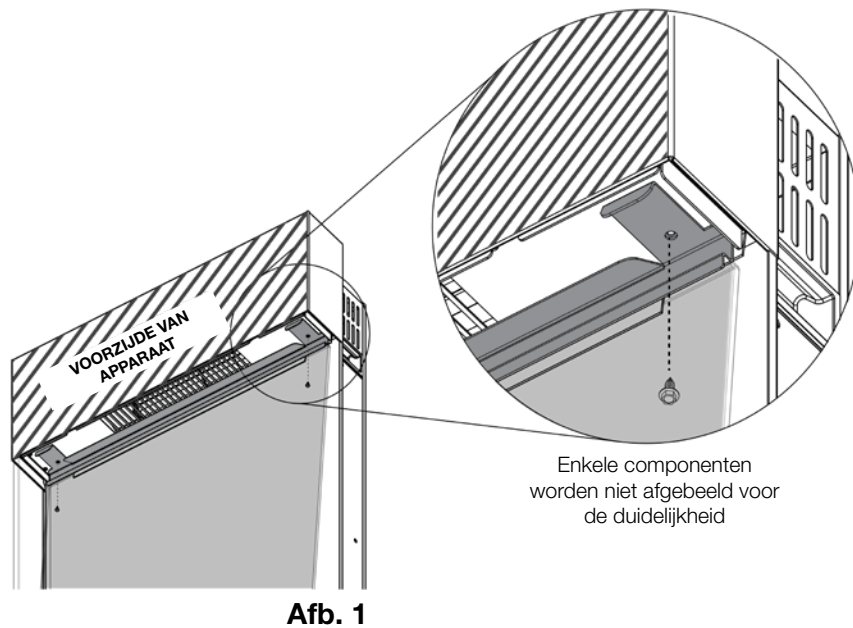


# afwerking

NL

## 3.3 verwijderen van het glazen deurpaneel

1. Verwijder de bevestigingsbeugel door de 2 schroeven te verwijderen (**Afb. 1 en 2**). Leg de schroeven opzij; houd de beugel binnen handbereik voor stap 2.

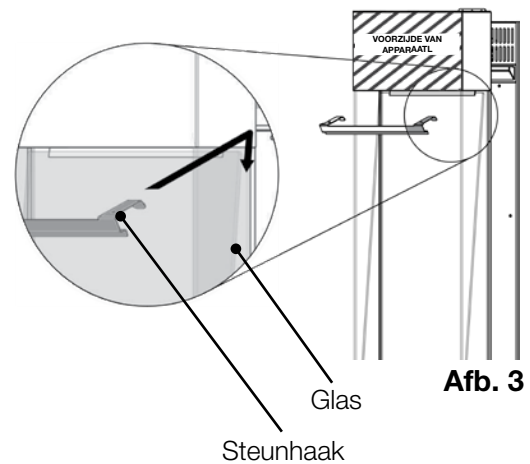


2. Gebruik de steunhaken om achter het glas reiken en het naar voor te trekken om het gemakkelijk te verwijderen (**Afb. 3**).

### LET OP:

De beugel op deze manier gebruiken wordt enkel aanbevolen voor een gemakkelijke verwijdering. Wanneer u de beugel plaatst, moeten de haken **ALTIJD** naar de voorzijde van het apparaat gericht zijn (zie het hoofdstuk 'installeren van het glazen deurpaneel'). Als deze instructies niet worden opgevolgd, kan dit tot brand leiden.

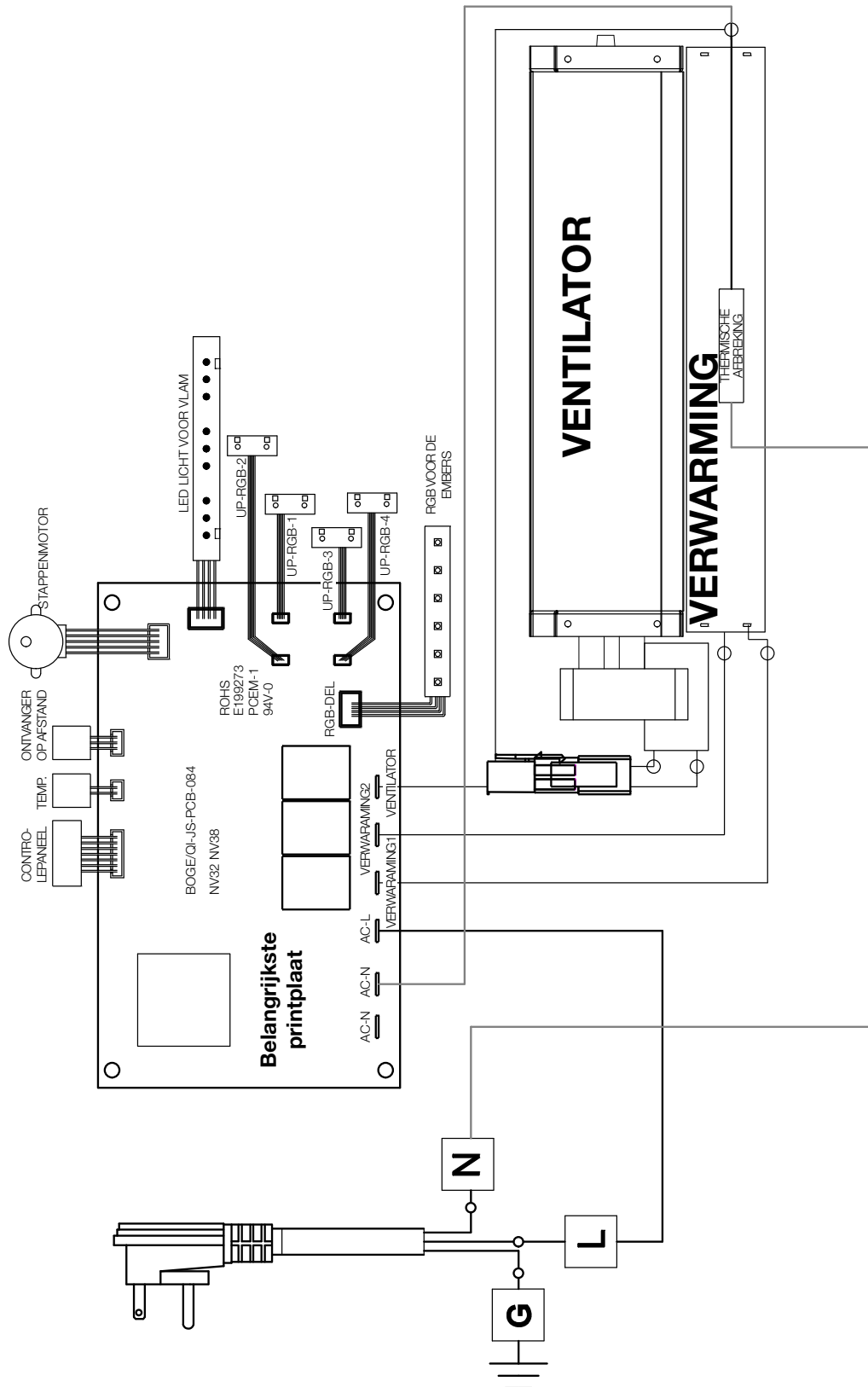
3. Verwijder het glas en plaats het op een zacht, niet-schurend oppervlak.



## 4.1 bedradingsschema

**! WAARSCHUWING**

- Schakel het apparaat volledig uit en laat het afkoelen voordat u onderhoud uitvoert. Dit elektrische apparaat mag alleen worden onderhouden en gerepareerd door een erkende onderhoudsmonteur.



### ! WAARSCHUWING

- Schakel het apparaat volledig uit en laat het afkoelen voordat u onderhoud uitvoert. Dit elektrische apparaat mag alleen worden onderhouden en gerepareerd door een erkende onderhoudsmonteur.

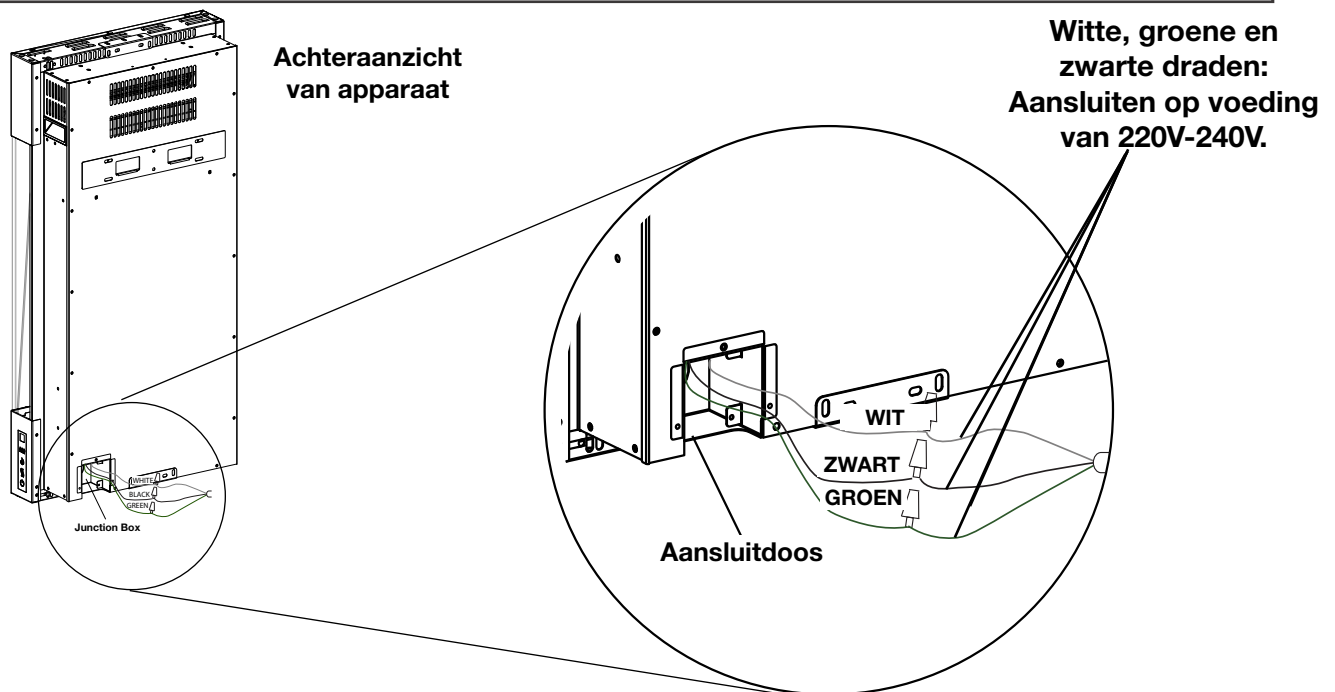
#### VERBINDING MET VASTE BEDRADING

Als dit apparaat op vaste bedrading moet worden aangesloten, moet een erkende elektricien het snoer verwijderen en het apparaat rechtstreeks op het elektriciteitsnet aansluiten. De kabel en stroomonderbreker moeten minimaal 15 ampère leveren voor 220V-240V.

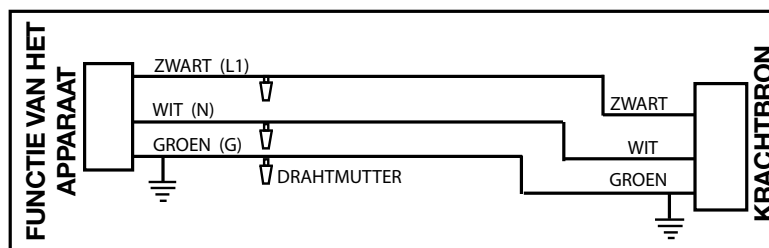
Dit apparaat moet in overeenstemming met de plaatselijke elektrische voorschriften worden aangesloten en geaard indien het over vaste bedrading beschikt.

#### opmerking:

Er lopen drie draden vanuit de aansluiting van het apparaat: wit (neutraal), zwart (stroom L1) en groen (aarding) die verbonden zijn met de voeding van 220V-240V (paneel stroomonderbreker). Zie hieronder.



- Verwijder de 4 bevestigingsschroeven van de elektrische afdekplaat, te vinden links onderaan het apparaat (vanuit het achteraanzicht bekeken).
- Bevestig de trekontlasting op de elektrische afdekplaat (te vinden in de zak voor aanleg vaste bedrading).
- Scheid de zwarte, witte en groene draden die draadmoeren hebben.
- Verwijder de draadmoeren en bevestig de zwarte draad (stroom L1) aan de zwarte (stroom L1) voedingskabel. Verbind de witte draad van het apparaat met de witte (neutraal) draad van de voeding. Verbind de groene draad met de aardingskabel.
- Plaats de elektrische afdekplaat terug.











## WAARSCHUWING

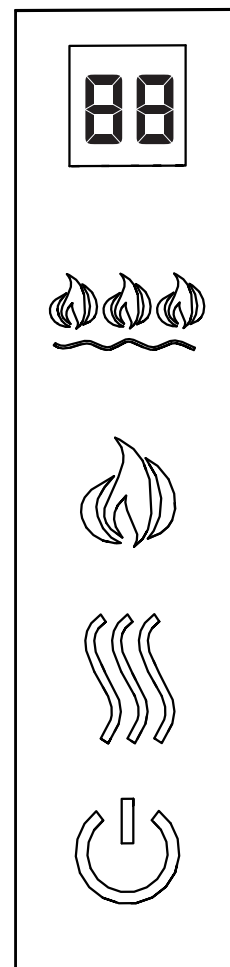
- Zorg dat de stroomonderbrekers in de woning zijn ingeschakeld. Wanneer u het apparaat voor het eerst op een voedingsbron aansluit, voert het apparaat een led-controle uit. Het apparaat knippert 5 seconden aan en uit.

Zodra het apparaat op een geaard stopcontact of eigen voeding van 220V-240V met vaste bedrading is aangesloten, is het klaar voor gebruik.

### 5.1 het bedieningspaneel

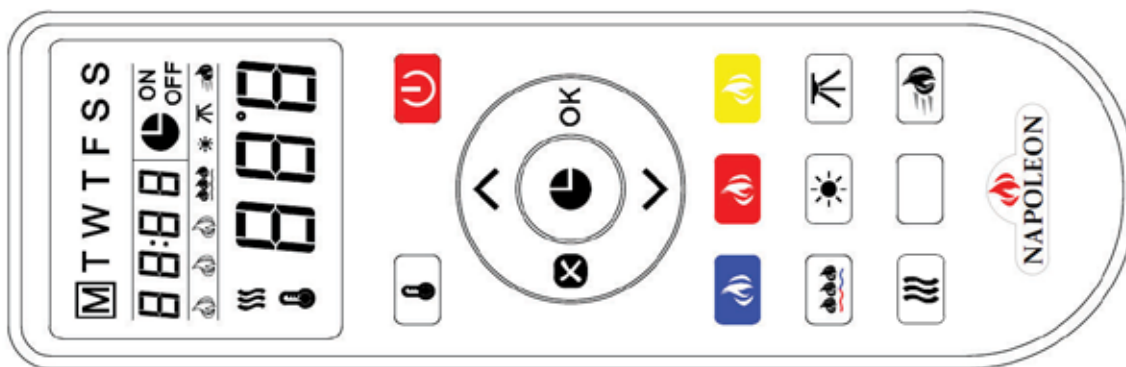
Het bedieningspaneel bevindt zich aan de rechterkant van het apparaat (vanuit vooraanzicht bekeken).

<b>Aan/uit</b>		Hiermee schakelt u het apparaat aan/uit.
<b>Sintelbedverlichting</b>		Hiermee regelt u de verlichting van het sintelbed.  <b>Standen:</b> L0 - Sintelbedverlichting uit L1 - Wit L2 - Blauw L3 - Groen L4 - Rood L5 - Geel L6 - Paars L7 - Rouleert automatisch wit, blauw, groen, rood, geel en paars. <b>(OPMERKING: Het duurt 8,5 seconden om van kleur te wisselen.)</b> L8 - Vergrendel de gewenste kleur
<b>Vlamregeling</b>		Hiermee regelt u de vlam.  <b>8 standen:</b> 00 - Vlam uit 01 - Oranje vlam 02 - Gele vlam 03 - Blauwe vlam 04 - Gele/oranje vlam 05 - Oranje/blauwe vlam 06 - Gele/blauwe vlam 07 - Gele/oranje/blauwe vlam
<b>°F/°C-schakelaar</b>		Verandert de temperatuureenheid van Fahrenheit naar Celsius en omgekeerd. Houd de vlamknop 5 seconden ingedrukt.
<b>Verwarmingsregeling</b>		Hiermee schakelt u de verwarming en de ventilator aan/uit.  <b>4 standen:</b> H0 - Verwarming en ventilator uit bL - Ventilator aan H1 - Lage warmte H2 - Hoge warmte
<b>Verwarmingsvergrendeling</b>		Verwarmingsknop kan worden vergrendeld of ontgrendeld door de verwarmingsknop 5 seconden ingedrukt te houden.



# bedieningsinstructies








## NL 5.2 bediening met de afstandsbediening



<b>Aan/uit</b>		Hiermee schakelt u het apparaat aan/uit.
<b>Blauwe vlam</b>		Hiermee regelt u de helderheid van de vlam. <b>Standen:</b> F0 - Vlam uit
<b>Oranje vlam</b>		F1 - Kleine vlam F2 - Medium vlam F3 - Heldere vlam F4 - Helderste vlam
<b>Gele vlam</b>		
<b>Verwarming</b>		Hiermee schakelt u de verwarming en de ventilator aan/uit. <b>Standen:</b> H0 - Verwarming en ventilator uit bL - Ventilator aan H1 - Lage warmte H2 - Hoge warmte
<b>Vlamsnelheid</b>		Hiermee regelt u de snelheid van de vlam. Er zijn 5 standen voor vlamsnelheid: 01 (traagste), 02, 03, 04 en 05 (snelste).
<b>Bovenverlichting</b>		Hiermee regelt u de bovenverlichting. <b>Standen:</b> d0 - Sintelbedverlichting uit d8 - Wit d7 - Blauw d6 - Groen d5 - Rood d4 - Geel d3 - Paars d2 - Rouleert automatisch wit, blauw, groen, rood, geel en paars. <b>(OPMERKING: Het duurt 8,5 seconden om van kleur te wisselen.)</b> d1 - Vergrendel de gewenste kleur

<b>Kleur sintelbed</b>		Hiermee regelt u de verlichting van het sintelbed. <b>Standen:</b> L0 - Sintelbedverlichting uit L1 - Wit L2 - Blauw L3 - Groen L4 - Rood L5 - Geel L6 - Paars L7 - Rouleert automatisch wit, blauw, groen, rood, geel en paars. <b>(OPMERKING: Het duurt 8,5 seconden om van kleur te wisselen.)</b> L8 - Vergrendel de gewenste kleur
<b>Helderheid sintelbed</b>		Hiermee regelt u de helderheid van de sintelbedverlichting. <b>Standen:</b> b1 - Laag b2 - Medium b3 - Helder b4 - Helderst
<b>Timer</b>		Er zijn 10 timerstanden: 00, 30 min, 1 u, 2 u, 3 u, 4 u, 5 u, 6 u, 7 u, 8 u.
<b>Temperatuur Regeling</b>		Er zijn 7 temperatuurstanden: 16°C [61°F], 18°C [64°F], 21°C [70°F], 24°C [75°F], 27°C [81°F], 29°C [85°F] en UIT.



## 5.3 timerinstellingen op de afstandsbediening

	<b>Timer:</b> Geeft de huidige dag, tijd en week weer. Druk hierop om de timerinstellingen in te voeren of te bevestigen.	
<b>OK</b>	<b>Instellingen:</b> Druk hierop om naar de volgende stap te gaan (gebruik met de timerknop). Druk hierop om de weektimer te bevestigen.	
	<b>Terug:</b> Druk hierop om de timerinstellingen te wissen. Druk hierop om terug te keren naar de vorige stap (gebruik met de instellingenknop).	
	<b>Omhoog en omlaag:</b> Gebruik met de instellingenknop.	
<b>Lcd-scherm</b>		
<b>Dag van de week:</b> _____ ma di wo do vr za zo		<b>OPMERKING:</b> De functies kunnen alleen worden gewijzigd als de bijbehorende letters of cijfers knipperen. <b>OPMERKING:</b> Stel de timer in op de huidige tijd vóór de weekinstellingen.
<b>Tijdsweergave:</b> _____		
Huidige tijd/timer van 00:00 tot 24:00 <b>OPMERKING: 00-12:00 is AM / 13:00 - 24:00 is PM</b>		

### 5.3.1 huidige dag en tijd instellen

1. Druk eenmaal op . Wanneer 'MA' (maandag) gaat knipperen, selecteert u met  de huidige dag. Druk op OK om de instelling op te slaan.
2. Wanneer het uur gaat knippen, selecteert u met  het huidige uur. Druk op OK om de instelling op te slaan.
3. Wanneer de minuten gaan knipperen, selecteert u met  de huidige minuten. Druk op OK om de instelling op te slaan.

### 5.3.2 AAN/UIT-tijd en -temperatuur op een wekelijkse cyclus instellen

1. Druk eenmaal op . Wanneer 'MA' (maandag) gaat knipperen, selecteert u met  de huidige dag. Druk op OK om de instelling op te slaan.

#### opmerking:

De timer kan alleen worden ingesteld in stappen van 30 minuten (bijv. 00:00 - 00:30, 00:30 - 01:00 enz.).

2. Wanneer '--:--' gaat knipperen, selecteert u met  het gewenste uur en de gewenste minuten waarop de verwarming moet inschakelen. Druk op OK om de instelling op te slaan. U kunt altijd op  drukken om de cijfers te wissen en de 'AAN'-timer uit te schakelen.
3. Wanneer '18' gaat knipperen, selecteert u met  de gewenste temperatuur voor maandag.

#### opmerking:

Als de temperatuur al eerder is ingesteld, wordt die waarde weergegeven in plaats van '18'.

4. Wanneer '--:--' gaat knipperen, selecteert u met  het gewenste uur en de gewenste minuten waarop de verwarming moet uitschakelen. Druk op OK om de instelling op te slaan. U kunt altijd op  drukken om de cijfers te wissen en de 'UIT'-timer uit te schakelen.

# bedieningsinstructies

NL

5. Herhaal stap 1 t/m 4 om de 'AAN/UIT'-tijd en temperatuur voor woensdag, donderdag, vrijdag, zaterdag en zondag in te stellen.
6. Druk op OK om het programmeren te voltooien waarbij u de afstandsbediening op de ontvanger in het midden van het apparaat richt. Het apparaat 'piept' één keer om te bevestigen dat het programmeren is geslaagd.

## 5.4 waarschuwing voor open raam

Als de kamertemperatuur binnen drie minuten tien graden daalt, gaat het apparaat ervan uit dat er vlakbij een raam openstaat. Om energie te besparen, schakelt de verwarming automatisch over van hoge warmte naar lage warmte. Als de verwarming al op lage warmte staat, wordt het apparaat volledig uitgeschakeld.

Wanneer u van hoge warmte naar lage warmte overschakelt, piept het apparaat drie keer en knippert '88' drie keer op het digitale display, waarna de huidige verwarmingsstatus wordt weergegeven.

Wanneer u overschakelt van lage warmte naar uit, piept het apparaat drie keer en blijft '88' op het digitale display knipperen.

Raadpleeg het hoofdstuk 'bediening met de afstandsbediening' om de verwarmingsfunctie te resetten.

### WAARSCHUWING

- Nalaten de onderdelen in overeenstemming met deze handleiding te plaatsen of uitsluitend onderdelen te gebruiken die speciaal voor dit apparaat zijn goedgekeurd, kan materiële schade of persoonlijk letsel tot gevolg hebben.

Neem contact op met uw dealer voor vragen over prijzen en ons beleid wat betreft vervangende onderdelen. Normaal gesproken kunnen alle onderdelen via uw erkende dealer/distributeur worden besteld.

#### **Voor toekenning van een claim voor vervangende onderdelen onder garantie moet een fotokopie van de originele factuur worden overlegd.**

Vermeld bij het bestellen van vervangingsonderdelen altijd de volgende informatie:

- Model en serienummer van het apparaat
- Installatiedatum van het apparaat
- Onderdeelnummer
- Omschrijving van het onderdeel
- Afwerking

**Onderdelen, onderdeelnummers en verkrijgbaarheid kunnen zonder kennisgeving worden gewijzigd.**

**Onderdelen waarvan is vastgesteld dat ze op voorraad zijn, worden voor de meeste bestemmingen binnen 2 tot 5 werkdagen geleverd.**

**Onderdelen die niet op voorraad zijn, worden in de meeste gevallen binnen 2 tot 4 weken geleverd.**

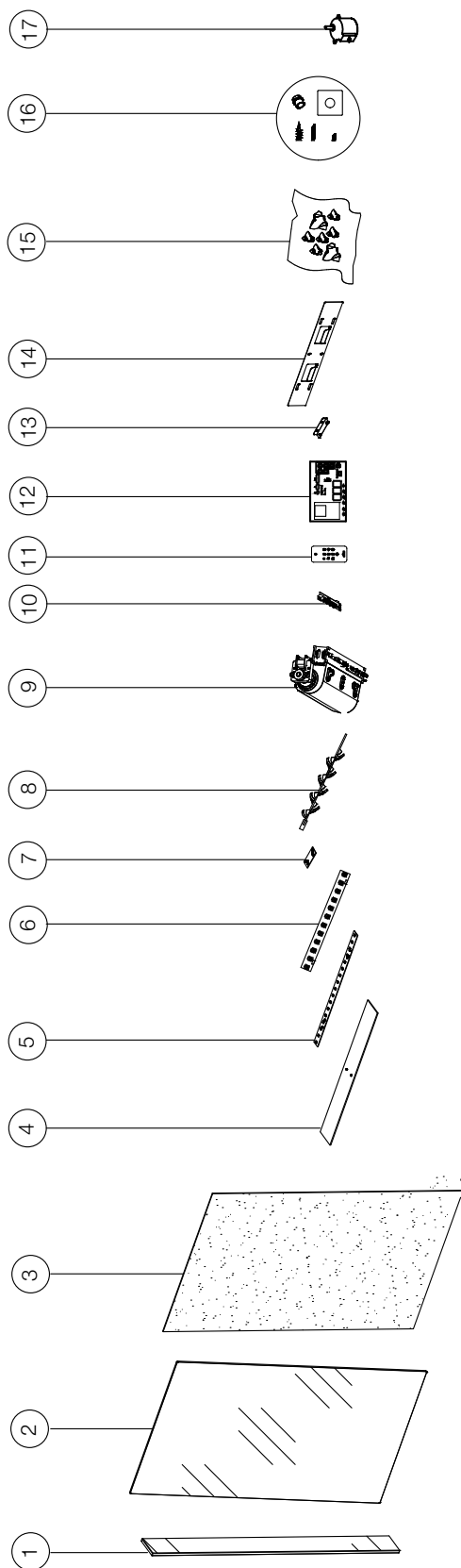
**Onderdelen die worden aangeduid als 'SO' (special order) zijn speciale bestellingen en kunnen een levertijd tot 90 dagen hebben.**

Bel voor aftersales-service +31 (0) 88 588 655.

#### **opmerking:**

Wees voorzichtig bij het verwijderen en afvoeren van gebroken glas of beschadigde onderdelen. Verwijder gebroken glas uit het apparaat met een stofzuiger voordat u het apparaat gebruikt.

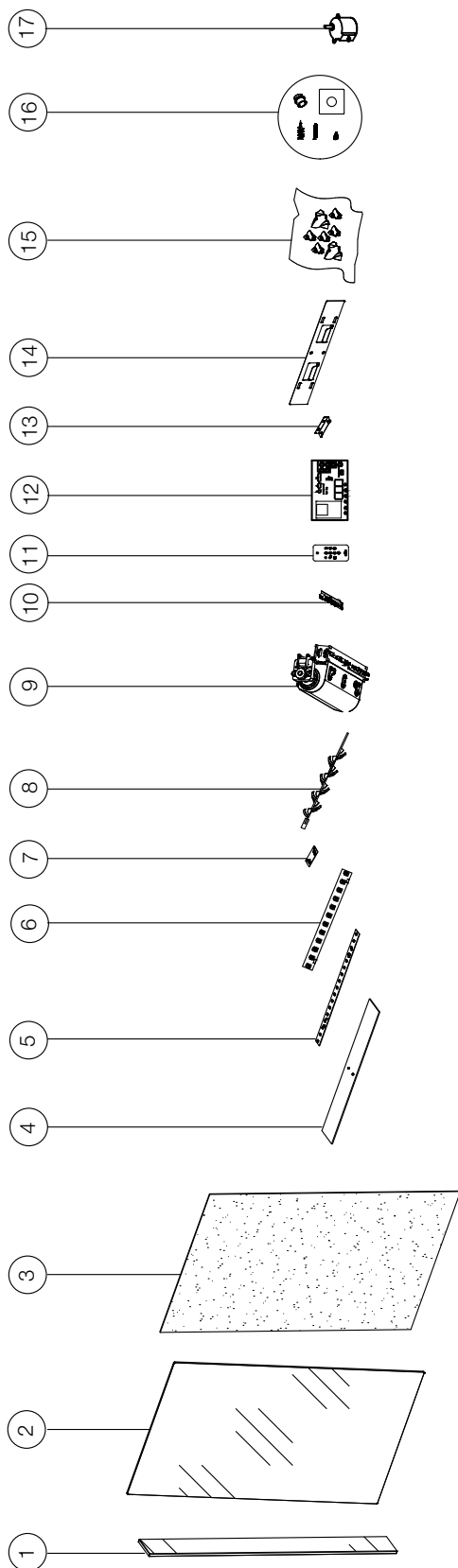
## 6.1 Overzicht NEFVC32H-EU



Items kunnen anders zijn dan afgebeeld.

Referentienr.	Onderdeelnr.	Omschrijving	Op voorraad	Referentienr.	Onderdeelnr.	Omschrijving	Op voorraad
1	W300-0285-SER	Zijruit	Ja	9	W010-4999	Verwarmings- en ventilatorassemblage	Ja
2	W300-0287-SER	Voorruit	Ja	10	W475-1593-SER	Controlepaneel	Ja
3	W475-1591-SER	Projectiescherm, kunststof paneel	Ja	11	W190-0219	Afstandsbediening	Ja
4	W497-0050-SER	Kunststof band	Ja	12	W190-0220	Belangrijkste printplaat	Ja
5	W405-0069-SER	LED-lampje voor sintelbed	Ja	13	W080-1890-SER	Beugel voor wandmontage boven / onder	Ja
6	W405-0068-SER	LED-lampje voor vlammen	Ja	14	W080-1889-SER	Achterwandbeugel	Ja
7	W405-0070-SER	Top LED-licht	Ja	15	G497-0004	Donkere kristallen	Ja
8	W527-0031-SER	Reflector	Ja	16	W370-0146-SER	Hardware kit	Ja
				17	W435-0090-SER	Stappenmotor	Ja

## 6.2 Overzicht NEFVC38H-EU



Items kunnen anders zijn dan afgebeeld.

Referentienr.	Onderdeelnr.	Omschrijving	Op voorraad
1	W300-0286-SER	Zijruit	Ja
2	W300-0288-SER	Voorruit	Ja
3	W475-1592-SER	Projectiescherm, kunststof paneel	Ja
4	W497-0050-SER	Kunststof band	Ja
5	W405-0069-SER	LED-lampje voor sintelbed	Ja
6	W405-0068-SER	LED-lampje voor vlammen	Ja
7	W405-0070-SER	Top LED-licht	Ja
8	W527-0031-SER	Reflector	Ja
9	W010-5000	Verwarmings- en ventilatorassemblage	Ja
Referentienr.	Onderdeelnr.	Omschrijving	Op voorraad
10	W475-1593-SER	Controlepaneel	Ja
11	W190-0221	Afstandsbediening	Ja
12	W190-0222	Belangrijkste printplaat	Ja
13	W080-1890-SER	Beugel voor wandmontage boven / onder	Ja
14	W080-1889-SER	Achterwandbeugel	Ja
15	G497-0004	Donkere kristallen	Ja
16	W370-0146-SER	Hardware kit	Ja
17	W435-0090-SER	Stappenmotor	Ja

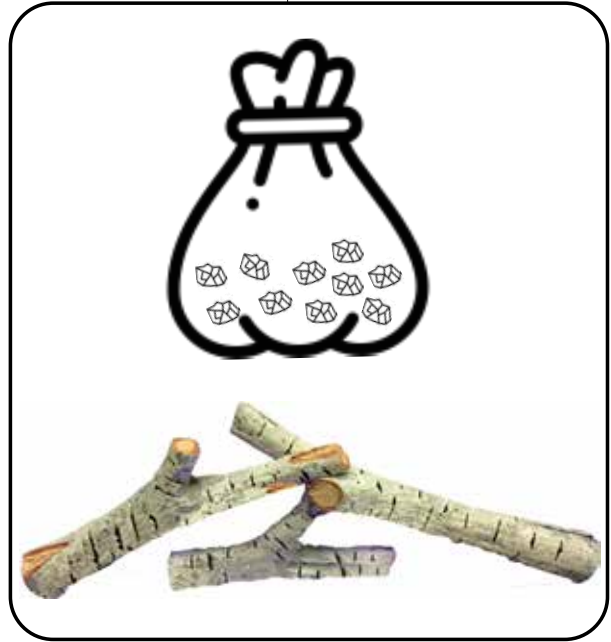
## 7.0 accessoires

NL

1



2



Items kunnen anders zijn dan afgebeeld.

Referentienr.	Onderdeelnr.	Omschrijving	Op voorraad
1	NEF-DRAK32	Kit, drijfhoutblokken met rivergrind	Ja
2	NEF-BLCAK32	Kit, berkenblokken met heldere kristallen	Ja



### WAARSCHUWING

- Schakel het apparaat volledig uit en laat het afkoelen voordat u onderhoud uitvoert. Dit elektrische apparaat mag alleen worden onderhouden en gerepareerd door een erkende onderhoudsmonteur.

symptoom	probleem	oplossing
Het apparaat gaat niet aan als de aan/uit-knop/schakelaar in de stand 'aan' wordt gezet.	Het apparaat is niet aangesloten op een stopcontact.	Controleer of de stekker in het stopcontact zit.
	Het apparaat is oververhit geraakt en de thermische beveiliging is geactiveerd.	Haal de stekker uit het stopcontact of schakel de stroomonderbreker uit, laat het apparaat 15 minuten afkoelen en steek vervolgens de stekker weer in het stopcontact of schakel de stroomonderbreker in.
	Probleem met de hoofdprintplaat.	Controleer de printplaat en vervang deze zo nodig.
Het apparaat schakelt uit en gaat niet meer aan.	De stroomonderbreker van de woning is geactiveerd.	Reset de stroomonderbreker.
	De zekering van het apparaat is doorgebrand.	Vervang de zekering.
	Het apparaat is oververhit geraakt en de thermische beveiliging is geactiveerd.	Haal de stekker uit het stopcontact of schakel de stroomonderbreker uit, laat het apparaat 15 minuten afkoelen en reset thermische beveiliging. Steek vervolgens de stekker weer in het stopcontact of schakel de stroomonderbreker in.
Het apparaat heeft de standaardinstellingen hersteld.	Stroomstoring.	Programmeer het apparaat opnieuw op de oorspronkelijke instellingen (niet van toepassing op alle apparaten).
De afstandsbediening werkt niet.	De batterijen zijn (bijna) leeg.	Vervang de batterijen in de afstandsbediening.
	Ontvanger voor de afstandsbediening werkt niet.	Zorg dat de ontvanger voor de afstandsbediening niet geblokkeerd is. Vervang het bedieningspaneel.
Er komt geen warme lucht uit het apparaat.	Verwarmingsstand is niet geselecteerd.	Zie het hoofdstuk 'bedieningsinstructies'.
	Verwarming is uitgeschakeld.	Zie het hoofdstuk 'bedieningsinstructies'.
	De kamertemperatuur is hoger dan de apparaatinstelling (indien ingesteld op kamertemperatuur).	Reset de temperatuurinstelling.
	Het apparaat is oververhit geraakt en de thermische beveiliging is geactiveerd.	Haal de stekker uit het stopcontact of schakel de stroomonderbreker uit. Laat het apparaat 15 minuten afkoelen.
	Probleem met de verwarming.	Controleer de ventilator en de verwarming en vervang ze zo nodig.
De verwarming schakelt automatisch uit.	De kamer is te warm.	De verwarming is uitgerust met een ingebouwde thermostaat zodat deze automatisch wordt uitgeschakeld zodra de vooraf ingestelde temperatuur is bereikt. De verwarming wordt ook automatisch ingeschakeld als de kamertemperatuur onder de vooraf ingestelde temperatuur daalt.
Zwakke of geen vlam.	Helderheid van de vlam niet geselecteerd.	Zie het hoofdstuk 'bedieningsinstructies'.
	Probleem met de led-lampen van de vlam.	Controleer de led-lamp en vervang deze zo nodig.
	Probleem met de hoofdprintplaat.	Controleer de hoofdprintplaat en vervang deze zo nodig.
Vlam beweegt niet.	Motor is vastgelopen/defect.	Schakel het apparaat in/uit. Raadpleeg een dealer als het probleem zich blijft voordoen.

# probleemoplossing

NL

<b>symptoom</b>	<b>probleem</b>	<b>oplossing</b>
Emberbed licht niet op of dimt niet.	De helderheid is niet geselecteerd.	Zie het hoofdstuk 'bedieningsinstructies'.
	Probleem met de led-lamp van het emberbed.	Controleer de leds onder het emberbed en vervang ze zo nodig.
	Probleem met de hoofdprintplaat.	Controleer de hoofdprintplaat en vervang deze zo nodig.
Led knippert 'OH'.	Het apparaat is oververhit geraakt en de thermische beveiliging is geactiveerd.	Haal de stekker uit het stopcontact of schakel de stroomonderbreker uit. Laat het apparaat 15 minuten afkoelen en steek vervolgens de stekker weer in het stopcontact of schakel de stroomonderbreker in. Raadpleeg uw dealer als het probleem zich blijft voordoen.

Elektrische apparaten van **Napoleon** worden vervaardigd volgens de strikte wereldwijd erkende norm ISO 9001 : 2015 voor kwaliteitsmanagementsystemen.

**Napoleon**-producten zijn ontworpen met superieure componenten en materialen en worden samengesteld door getrainde vakmensen die hun werk met trots uitvoeren. Na montage en voordat het apparaat wordt verpakt, laten we het complete apparaat grondig door een erkende en geautoriseerde installateur, servicedienst of leverancier inspecteren om te verzekeren dat u als klant het kwaliteitsproduct ontvangt dat u van **Napoleon** verwacht.

### Beperkte garantie van Napoleon Electric Appliance

Elektrische componenten en wearables worden gedekt en **Napoleon** levert tijdens de eerste 2 jaar van de beperkte garantie gratis vervangende onderdelen. Dit omvat: ventilator/verwarmingen, motoren, schakelaars, nylon lageronderdelen, afstandsbedieningen en led-lampen.\*

Gloeilampen en zekeringen vallen **NIET** onder de garantie.

Arbeidskosten voor reparaties onder deze garantie worden niet gedekt.

\* De bouw van modellen varieert. De garantie is alleen van toepassing op componenten die met uw specifieke apparaat

### Voorwaarden en beperkingen

**Napoleons** garantie op productiefouten geldt alleen voor de oorspronkelijke koper. U hoeft uw garantie niet te registreren. Bij een garantieclaim kunt u, samen met het model- en serienummer, gewoon uw aankoopbewijs verstrekken. Op voorwaarde dat de aankoop is gedaan via een erkende **Napoleon**-dealer zijn de volgende voorwaarden en beperkingen op uw apparaat van toepassing:

De garantiedekking begint op de datum van de oorspronkelijke installatie.

Deze fabrieksgarantie is niet overdraagbaar en mag onder geen beding door een van onze vertegenwoordigers worden verlengd.

De installatie moet worden uitgevoerd volgens de bij het product geleverde installatie-instructies en alle lokale en nationale bouw- en brandverordeningen.

Deze beperkte garantie dekt geen schade ten gevolge van verkeerd gebruik, gebrek aan onderhoud, ongevallen, wijzigingen, misbruik of verwaarlozing. De garantie is nietig wanneer er onderdelen van andere fabrikanten zijn geïnstalleerd. Verder dekt deze beperkte garantie geen krassen, deuken, corrosie of verkleuring die worden veroorzaakt door overmatige hitte of schurende en chemische reinigingsmiddelen, noch afbrokkeling van geëmailleerde onderdelen of mechanische schade aan PHAZER™-houtblokken.

Deze garantie is alleen tijdens de eerste twee jaar geldig voor reparatie of vervanging van garantieonderdelen die materiaal- of fabricagefouten vertonen, op voorwaarde dat het product volgens de bedieningsinstructies en onder normale omstandigheden is gebruikt.

**Napoleon** is niet verantwoordelijk voor installatie-, arbeids- of andere kosten voor het opnieuw installeren van een garantieonderdeel; zulke kosten vallen niet onder deze garantie. Onverminderd de bepalingen in de beperkte garantie is **Napoleon** onder deze garantie zoals hierboven beschreven, niet aansprakelijk voor incidentele, gevolgschade of indirecte schade.

Deze garantie beschrijft de verplichtingen en aansprakelijkheid van **Napoleon** betreffende het elektrische apparaat van **Napoleon** en alle andere expliciete of impliciete garanties met betrekking tot dit product, de onderdelen of accessoires worden uitgesloten.

**Napoleon** aanvaardt geen andere aansprakelijkheden met betrekking tot de verkoop van dit product, noch machtigt Napoleon derden om dergelijke aansprakelijkheid namens het bedrijf te aanvaarden.

Napoleon is niet aansprakelijk voor schade aan het apparaat, de messing rand of andere onderdelen ten gevolge van water, het weer, langdurig vocht, condensatie, schadelijke chemicaliën of reinigingsmiddelen.

**Napoleon** behoudt zich het recht voor om een product of onderdeel door zijn vertegenwoordiger te laten controleren voordat een garantieclaim wordt erkend.

Voor onderdelen die volgens de beperkte garantiepolis worden vervangen, kan slechts één claim worden ingediend.

Alle onderdelen die onder de garantie worden vervangen, worden voor een periode van 90 dagen vanaf de installatiedatum gegarandeerd.

De fabrikant kan eisen dat defecte onderdelen of producten worden geretourneerd of dat er digitale foto's worden verstrekt ter ondersteuning van de claim. Geretourneerde producten moeten prepaid naar de fabrikant worden verzonden voor beoordeling. Als een product defect blijkt te zijn, zal de fabrikant het betreffende defect repareren of vervangen.

Voordat u uw apparaat of defecte onderdelen verzendt, moet uw dealer een autorisatienummer aanvragen. Alle goederen die zonder autorisatie worden verzonden, worden geweigerd en teruggestuurd naar de afzender.

Verzendkosten worden niet door deze garantie gedekt.

Voor aanvragen van garantieservice bij een dealer kunnen extra servicekosten in rekening worden gebracht.

Vanwege continue productverbeteringen kunnen alle specificaties en ontwerpen kunnen zonder voorafgaande kennisgeving worden gewijzigd. **Napoleon** is een gedeponeerd handelsmerk van Wolf Steel Ltd.

# NAPOLEON BIEDT AL MEER DAN 40 JAAR PRODUCTEN VOOR WOONCOMFORT



**WEEE:**



**Betekenis van doorgekruiste vuilniscontainer:**

**Gooi elektrische apparaten niet weg bij het ongesorteerd huishoudelijk afval. Breng ze naar de speciale inzamelpunten. Vraag bij de gemeente na welke inzamelpunten er zijn. Als elektrische apparaten op een vuilnisbelt of stortplaats belanden, kunnen gevaarlijke stoffen in het grondwater lekken en in de voedselketen terechtkomen, en dat is schadelijk voor uw gezondheid en welzijn.**

**Als u oude apparaten door nieuwe vervangt, is de dealer wettelijk verplicht om uw oude apparaat gratis in te nemen.**



7200 Route Transcanadienne, Montréal, Québec H4T 1A3, Canada  
24 Napoleon Road, Barrie, Ontario L4M 0G8, Canada  
214 Bayview Drive, Barrie, Ontario L4N 4Y8, Canada  
103 Miller Drive, Crittenden, Kentucky 41030, VS  
De Riemsdijk 22, 4004 LC Tiel, Nederland  
[napoleon.com](http://napoleon.com)