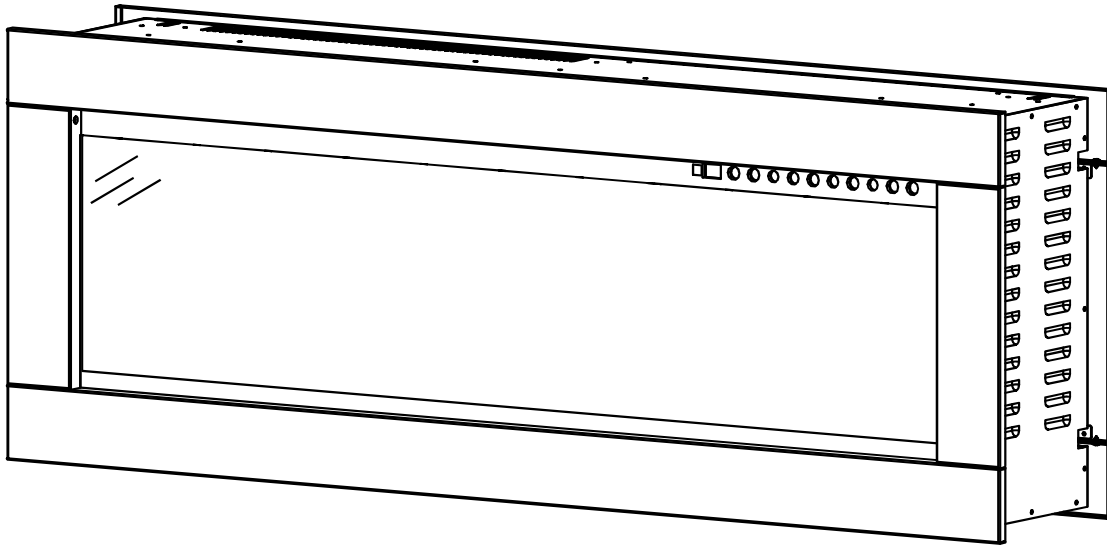




INSTALLATION AND OPERATION MANUAL

CLEARion™ Elite



SAFETY INFORMATION

⚠ WARNING

FIRE OR EXPLOSION HAZARD

If the information in these instructions are not followed exactly, a fire or explosion may result causing property damage, personal injury, or loss of life.

- Do not store or use gasoline or other flammable vapors and liquids in the vicinity of this or any other appliance.

INSTALLER:

Leave this manual with the appliance

CONSUMER:

Retain this manual for future reference

FOR INDOOR USE ONLY



Wolf Steel Europe BV
De Riemsdijk 22, 4004 LC Tiel, The Netherlands

! WARNING

- **If equipped with a heater, this appliance can be hot when operated and can cause severe burns if contacted.**
- Do not operate appliance before reading and understanding operating instructions. Failure to operate appliance according to operating instructions could cause fire or injury.
- Do not install damaged, incomplete or substitute components.
- Do not burn wood or other materials in this appliance.
- All electric appliances have hot and arcing or sparking parts inside. Do not use it in areas where a gas line, paint or flammable liquids are present.
- Any safety screen or guard removed for servicing must be replaced prior to operating the appliance.
- It is imperative that the control compartments, circulating blower and its passageway in the appliance are kept clean. The appliance should be inspected before use and at least annually by a qualified service person. More frequent cleaning may be required due to excessive lint from carpeting, bedding material, etc. The appliance area must be kept clear and free from combustible materials, gasoline and other flammable vapors and liquids.
- Under no circumstances should this appliance be modified.
- Do not use this appliance if any part has been under water. Immediately call a qualified service technician to inspect the appliance and to replace any part of the control system which has been under water.
- If equipped with a glass door, do not operate the appliance with the glass door removed, cracked or broken. Replacement of the glass should be done by a licensed or qualified service person. Do not strike or slam shut the appliance glass door.
- Keep the packaging material out of reach of children and dispose of the material in a safe manner. As with all plastic bags, these are not toys and should be kept away from children and infants.
- Servicing should be done only while the appliance is disconnected from the power supply circuit.
- Do not operate this appliance with a damaged cord or plug after the appliance malfunctions, has been dropped or damaged in any manner. Return appliance to authorized service facility for examination, electrical or mechanical adjustment, or repair.
- Do not use outdoors.
- When installing this appliance in a room where water is present, the installation must comply with codes recognizing the increased hazard of electrical shock and electrocution.

note:

This appliance is NOT suitable for installation in a bathroom.

- Connect to properly grounded circuit.
- Do not insert or allow foreign objects to enter any ventilation or exhaust opening as this may cause an electric shock or fire, or damage the appliance.
- It is normal for your electric appliance to produce noise, especially when installed in a quiet space such as a bedroom.

 **WARNING**

- To prevent a possible fire, do not block air intakes or exhaust in any manner. Do not use on soft surfaces, like a carpet, where openings may become blocked.
- These appliances are tested and listed for use only with the optional accessories listed in these instructions. Use of optional accessories not specifically tested for this appliance could void the warranty and/or result in a safety hazard.

For appliances equipped with a heater:

- Risk of burns. Power to the appliance should be turned off and the appliance allowed to cool before servicing. To disconnect power to the appliance, turn controls to off, then remove plug from outlet.
- Young children should be carefully supervised when they are in the same room as the appliance. Toddlers, young children and others may be susceptible to accidental contact burns. A physical barrier is recommended if there are at risk individuals in the house. To restrict access to an appliance or stove, install an adjustable safety gate to keep toddlers, young children and other at risk individuals out of the room and away from hot surfaces.
- Clothing or other flammable material should not be placed on or near the appliance.
- Due to high temperatures, the appliance should be located out of traffic and away from furniture and draperies.
- Ensure you have incorporated adequate safety measure to protect infants/toddlers from touching hot surfaces.
- Even after the appliance is off, the glass and/or screen will remain hot for an extended period of time.
- Check with your local hearth specialty dealer for safety screens and hearth guards to protect children from hot surfaces. These screens and guards must be fastened to the floor.
- Ensure clearances to combustibles are maintained when building a mantel or shelves above the appliance. Elevated temperatures on the wall or in the air above the appliance can cause melting, discolouration or damage to decorations, a TV or other electronic components.


 **WARNING:** This product can expose you to chemicals including lead and lead compounds, which are known to the State of California to cause cancer, and chemicals including BBP and DEHP, which are known to the State of California to cause birth defects or other reproductive harm. For more information, go to www.P65Warnings.ca.gov.

table of contents

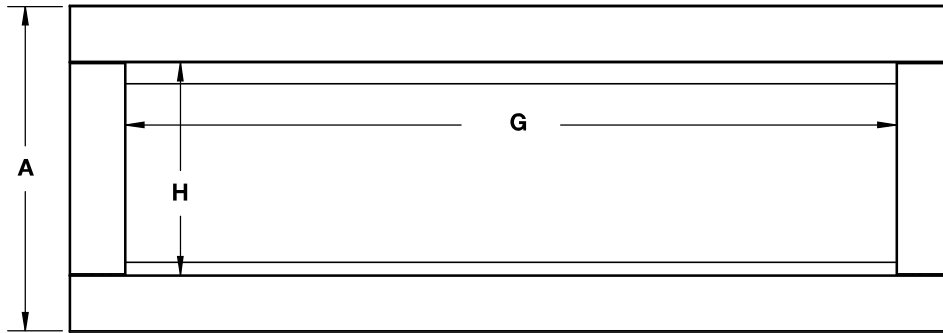
1.0	general information	5
1.1	dimensions	5
1.2	product information	6
1.3	general instructions	6
1.4	parts list	6
1.5	unpacking appliance	7
1.6	rating plate information	7
1.7	magnetic buttons	8
2.0	installation	9
2.1	locating the appliance	9
2.2	grounding the appliance	10
2.3	minimum clearance to combustibles	10
2.4	minimum mantel clearances	10
2.5	framing	11
2.6	installing the appliance	12
3.0	electrical information	14
3.1	wiring diagram	14
3.2	hard-wiring installation	15
3.3	hard-wire connection	16
4.0	finishing	17
4.1	front trim removal / installation	17
4.2	front glass removal / installation	17
4.3	media installation	18
4.3.1	river rock and driftwood log installation	18
4.3.2	white pebble installation	18
5.0	operating instructions	19
5.1	main power button	19
5.2	operating touch panel and remote control	19
5.3	timer settings on remote control	22
5.3.1	set current day and time	22
5.3.2	set ON/OFF time and temperature on a weekly cycle	22
5.4	open window warning	23
6.0	maintenance	24
6.1	cleaning	24
7.0	replacement parts	25
7.1	overview	26
8.0	accessories	27
8.1	accessories	27
9.0	troubleshooting	28
10.0	warranty	29

note:

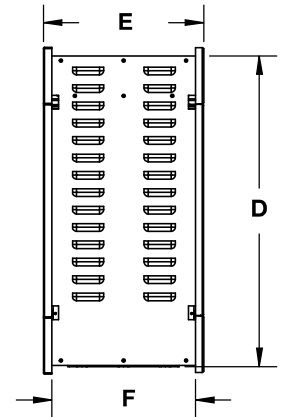
The information throughout this manual is believed to be correct at the time of printing. Wolf Steel Ltd. reserves the right to change or modify any information within this manual at any time without notice. Changes, other than editorial, are denoted by a vertical line in the margin.

1.1 dimensions

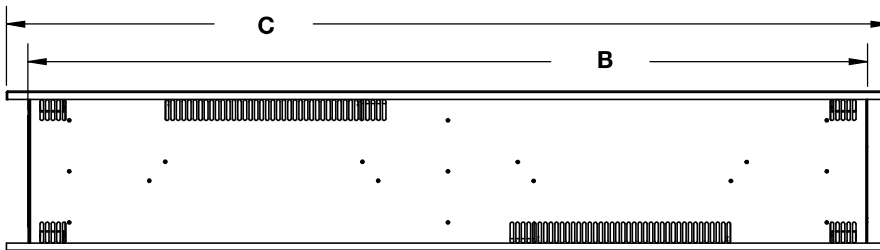
front view



right side view



top view



A	B	C	D	E	F	G	H
18 3/8" (467mm)	47 9/16" (1208mm)	50" (1270mm)	17 5/8" (447mm)	9 1/16" (231mm)	8 1/8" (207mm)	43 5/8" (1108mm)	12 1/16" (306mm)

general information

1.2 product information

This appliance has been tested in accordance with the CSA Standards for fixed and location-dedicated electric room appliances in the United States and Canada. If you need assistance during installation, please contact your local dealer.

	NEFB50HE-EU
Description	See-Thru Electric Appliance
Type	Electric Appliance
Voltage	220 - 240V AC
Watts	1750 - 2000W
Amps	Dedicated 15 AMP Grounded Circuit
Net Weight	101.4 lbs (46kg)
Gross Weight	131.2 lbs (59.5kg)

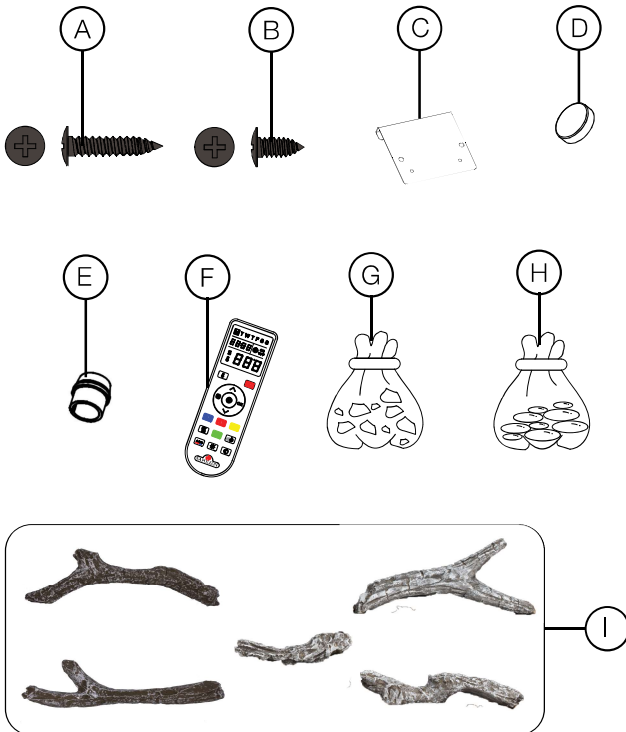
1.3 general instructions

- The appliance may emit a slight, harmless odour when first used. This odour is normal and it is caused by the initial heating of internal appliance elements and will not occur again.
- If your appliance does not emit heat when called for, consult the “operation” section of this manual for further information.
- Use with a CSA or UL certified surge protector.

This electric appliance meets the construction and safety standards of H.U.D. for application in manufactured homes when installed according to these instructions.

As with most electronic devices, your new electric appliance has been designed to operate at temperatures between 5°C (41°F) and 35°C (95°F). During the colder winter months, allow the appliance to reach room temperature before turning it on.

1.4 parts list

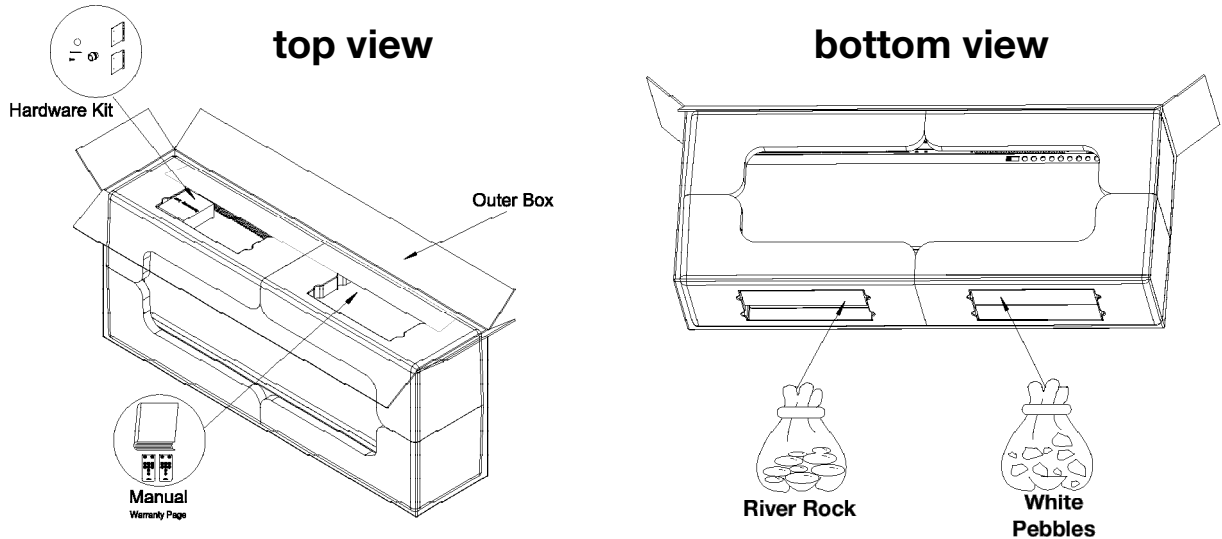


Ref.	Description	Quantity
A	Metal Screws (Black)	4
B	Metal Screws (Black)	12
C	Mounting Bracket	2
D	Magnetic Buttons	8
E	Strain Relief	1
F	Remote Control	2
G	White pebbles	2 bags
H	River rock	2 bags
I	Driftwood logs	2 sets

1.5 unpacking appliance

! WARNING

- Ensure to carefully remove the appliance from the box.



note:

The appliance comes with medium density fibreboard (MDF board) installed on the sides. See “installing the appliance” section for more details about removal.

1.6 rating plate information

ELECTRIC FIREPLACE. SUITABLE FOR BEDROOM AND BED-SITTING ROOM INSTALLATION. SUITABLE FOR MOBILE HOME INSTALLATION.

VOLTAGE: 220-240 VAC
 FREQUENCY: 50Hz
 POWER: 1750-2000W
 DATE CODE: XXXXX

MODELS







NEFBD50HE-EU CEFBD50HE-EU

Manufacturer: Wolf Steel Ltd.
 24 Napoleon Road,
 Barrie, ON, L4M 0G8 Canada

Importer: Wolf Steel Europe BV
 De Riemsdijk 22, 4004 LC Tiel,
 The Netherlands

DESIGNED IN NORTH AMERICA
 BY WOLF STEEL LTD.
 MADE IN CHINA

SERIAL NUMBER: **NEFBD000000** W385-2593

This illustration is for reference only. Refer to the rating plate on the appliance for accurate information.

note:

The rating plate must remain with the appliance at all times. It must not be removed.

general information

1.7 magnetic buttons

Your appliance is equipped with magnetic buttons (see “parts list” and “replacement parts” sections for details). **The buttons are optional and for decorative purposes only.**

If using, place the magnetic buttons on the four corners of the appliance surround (**Fig. 1-1**). Avoid sliding as this can scratch the painted surface.

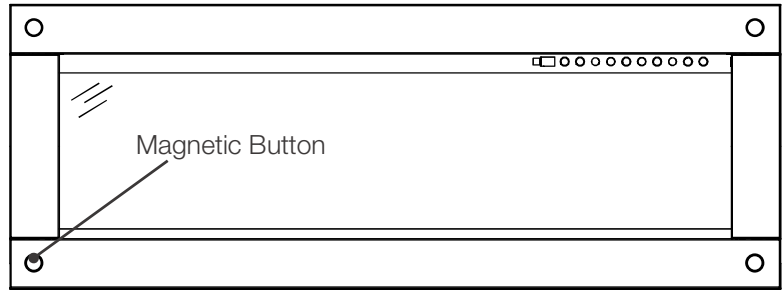


Fig. 1-1

⚠ WARNING

- Risk of fire! The power cord must not be pinched against a sharp edge. Secure cord to avoid tripping or snagging to reduce the risk of fire, electric shock, or personal injury. Do not run cord under carpeting. Do not cover cord with throw rugs, runners, or similar items. Arrange cord away from traffic areas and where it will not be tripped over.
- Risk of fire! To prevent a possible fire, do not block air intake or exhaust in any manner. Do not use on soft surfaces where openings may become blocked.
- Risk of fire! Do not blow or place insulation against the appliance.
- This electric appliance is tested and listed for use only with the approved optional accessories. Use of optional accessories not specifically tested for this electric appliance could void the warranty and/or result in a safety hazard.
- If the information in these instructions is not followed exactly, a fire or explosion may result causing property damage, personal injury, or death. Do not store or use gasoline or other flammable vapors in the vicinity of this or any other appliance.
- This appliance is heavy. It is highly recommended that two people install this appliance.
- If your appliance is equipped with a heater, ensure the heater vents cannot, in any way, be covered as it may create a fire hazard.
- Do not run the power cord horizontally, directly below the appliance.

This is a see-thru electric appliance installed into a wall. Select a suitable location that is not susceptible to moisture and is away from drapes, furniture and high traffic areas.

note:

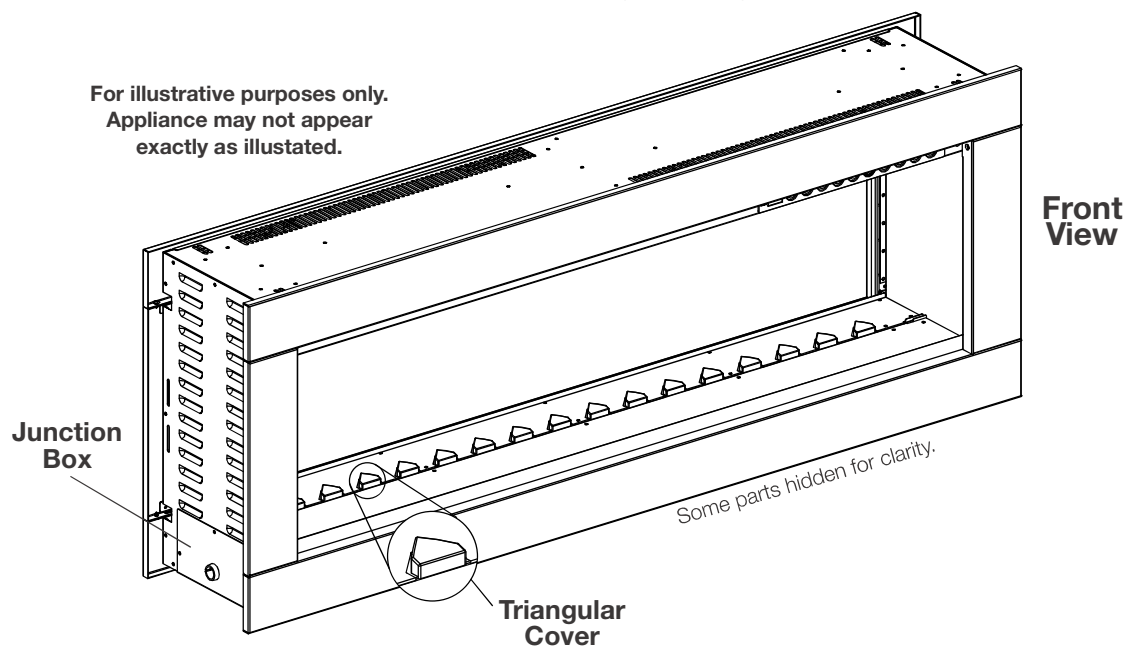
Follow all national and local electrical codes.

2.1 locating the appliance

⚠ WARNING

- Due to high temperatures, this electric appliance should be located out of traffic. Keep combustible materials, such as furniture, pillows, bedding, papers, clothes, curtains, and similar items at least 36" (91.4cm) from the front of the appliance.
- Never locate this electric appliance where it may fall into a bathtub or other water container.
- Wear safety gloves and safety glasses for protection during installation and maintenance.
- To prevent contact with sagging or loose insulation, the electric appliance must not be installed against vapor barrier or exposed insulation. Localized overheating could occur and fire could result.
- Do not expose the electric appliance to the elements (such as rain, etc.).

To determine the front of the appliance, ensure the junction box is located on the left side of the appliance and the triangular covers are located on the other side of the firebox (see below).



installation

2.2 grounding the appliance

! WARNING

- This appliance is for use with 220 volts and 240 volts.
- A bonded/grounded power source is **mandatory** for this appliance.
- This appliance must be connected to a dedicated 15 amp circuit. The use of an extension cord is **NOT** permitted.

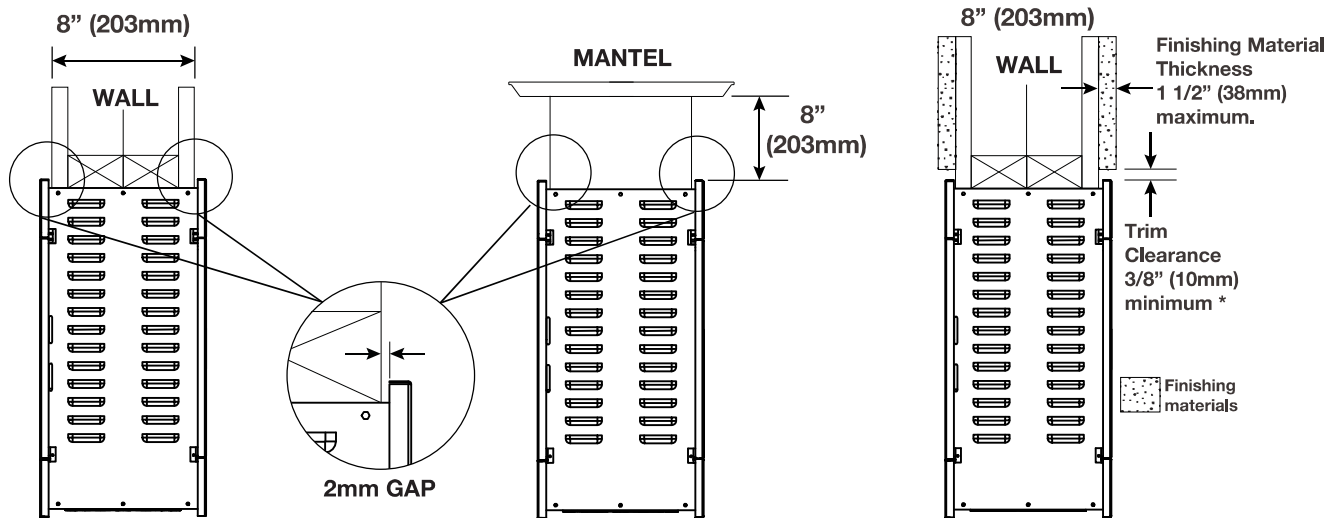
2.3 minimum clearance to combustibles

Measurements are taken from the front trim	
Bottom	0"
Sides	0"
Front / Back	36" (914mm)
Mantel	8" (203mm)

2.4 minimum mantel clearances

! WARNING

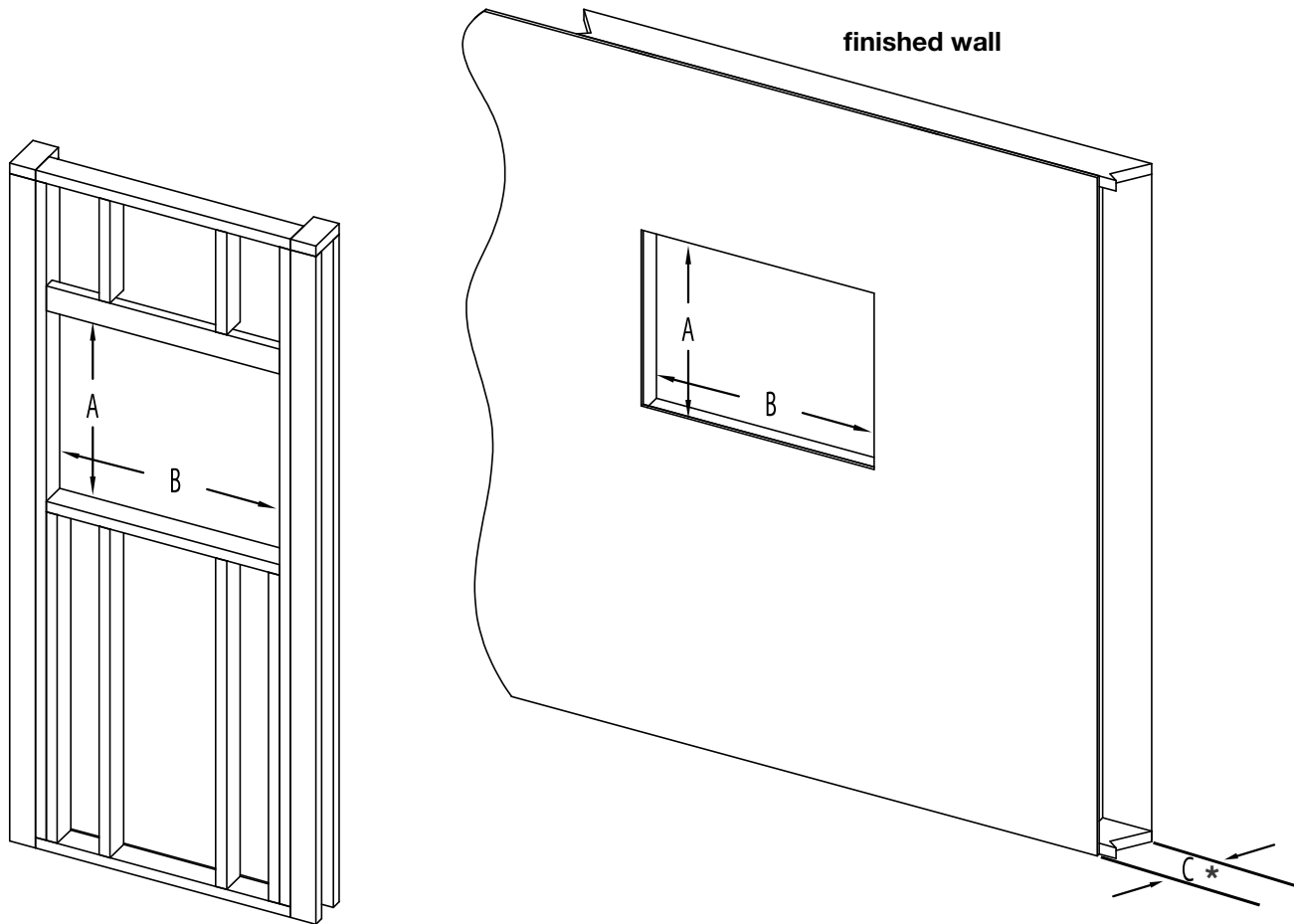
- When using paint or lacquer to finish the mantel, the paint or lacquer must be heat resistant to prevent discoloration.



note:

* If finishing materials are installed on top of the already 8" (203mm) wall, a 3/8" (10mm) clearance must be maintained at the top of the trim in order to service the appliance.

2.5 framing



A	17 15/16" (456mm)
B	49" (1245mm)
C	8" (203mm) max.
	4 1/2" (114mm) ** min

important:

* This measurement includes thickness of finishing materials.

** Deep trim accessory available for this thickness of wall (see "accessories" section).

installation

2.6 installing the appliance

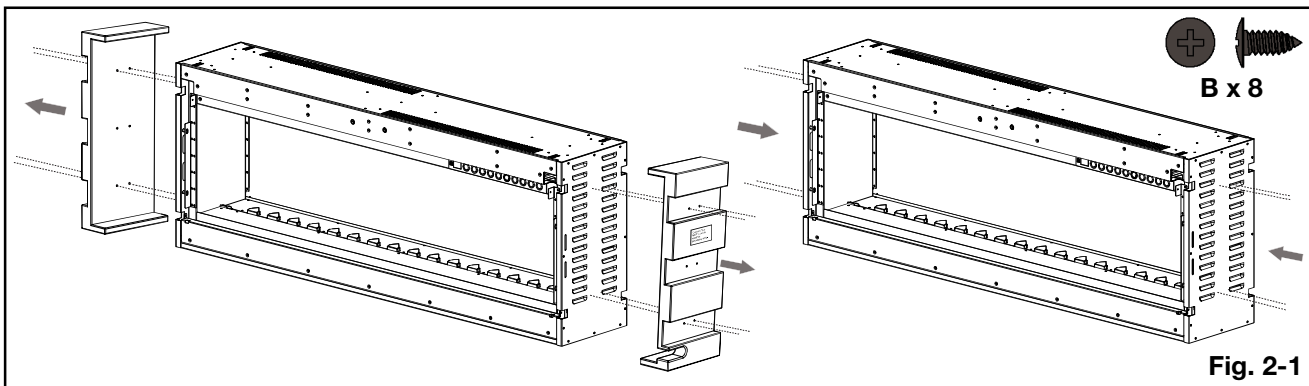
note:

It is recommended to have the walls of the appliance enclosure be finished (i.e. drywall) to avoid exposed insulation or vapour barrier coming in contact with the appliance. This will ensure clearance to combustibles is maintained.

Wall anchors are not required when screwing into the wall stud.

It is recommended to use a magnetic screwdriver bit during installation to prevent the screws from falling into the appliance.

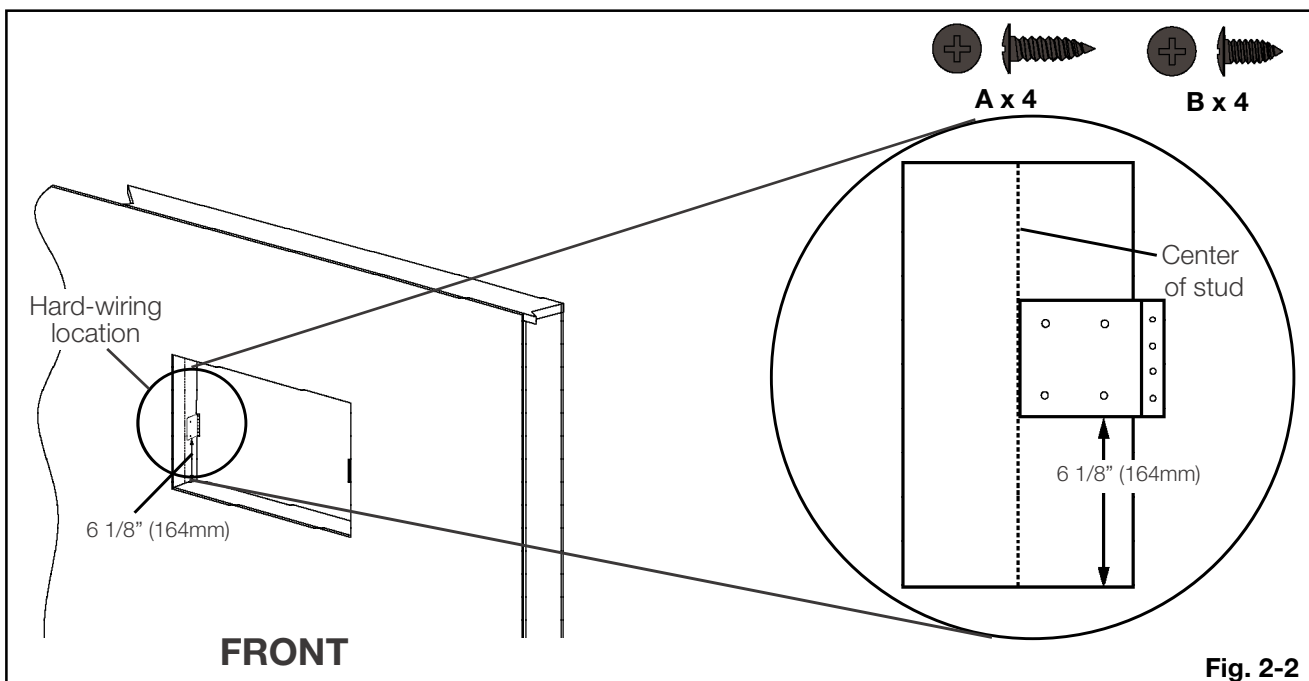
- A. Frame an opening (see “framing” section for details).
- B. Make hardwire connections on the left of the intended front side.
- C. Remove the front trims of the appliance (see “front trim removal / installation” section).
- D. Remove the front glass from the appliance (see “front glass removal / installation” section).
- E. Remove the 2 MDF support ends from the appliance by removing the screws. Discard both MDF boards. Use 4 new screws (supplied) on each side to cover MDF board screw holes (**Fig. 2-1**).



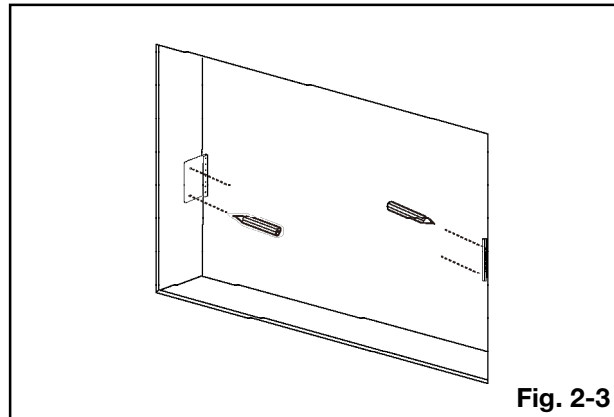
note:

Installation uses 2 mounting brackets in opposite corners. Looking at the stud from the centre of the opening, the brackets will extend out to the right (**Fig. 2-2**).

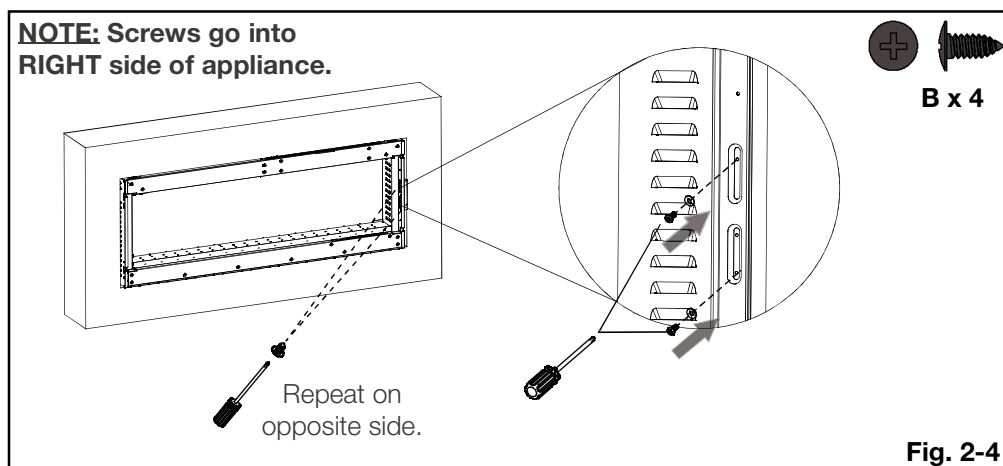
- F. Mark the centre of the wall depth on the vertical stud and install the mounting brackets by aligning the edge of the bracket with the centre marking. Measure 6 1/8" (164mm) from the bottom of the bracket to the bottom of the opening (**Fig. 2-2**).



- G. Mark the holes for the mounting bracket. Ensure the marked holes are on opposite sides, as the brackets cannot be mounted on the same side (**Fig. 2-3**).



- H. Drill marked holes and secure the mounting brackets with screws (supplied).
- I. Locate the appliance to the opening and position so that the hard wiring connections can be made (see “hardwiring” section).
- J. Locate the appliance fully into the opening and position against the mounting brackets. Align the bracket screw hole with the slots in the side of the appliance and screw through the slots to secure the appliance into the mounting brackets. Repeat on opposite side (**Fig. 2-4**).



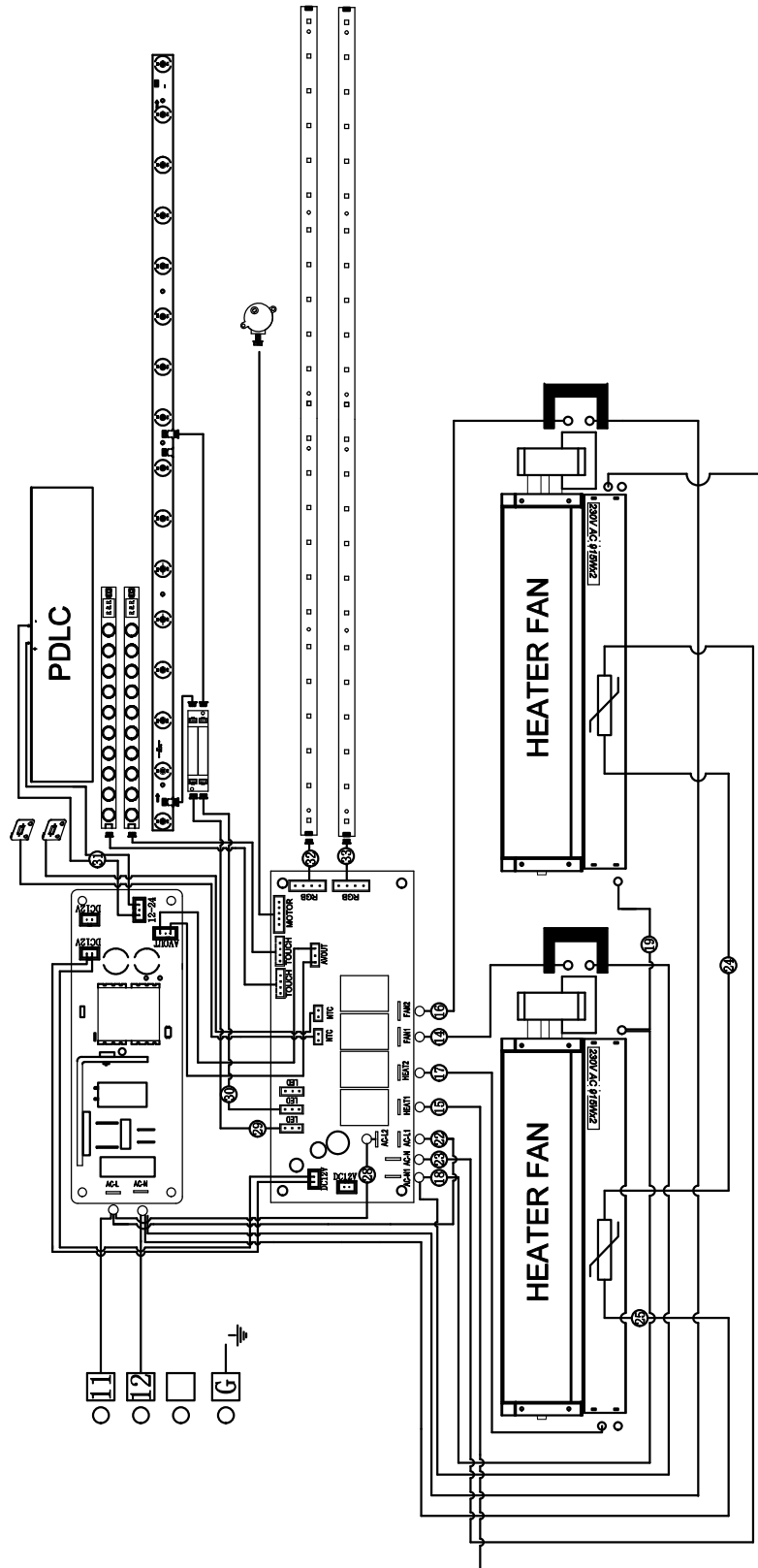
- K. Install media (see “media installation” section).
- L. Reinstall front glass and front trim (see “front glass removal / installation” and “front trim removal / installation” sections).

3.0 electrical information

3.1 wiring diagram

WARNING

- Turn off the appliance completely and let cool before servicing. Only a qualified service person should service and repair this electric appliance.



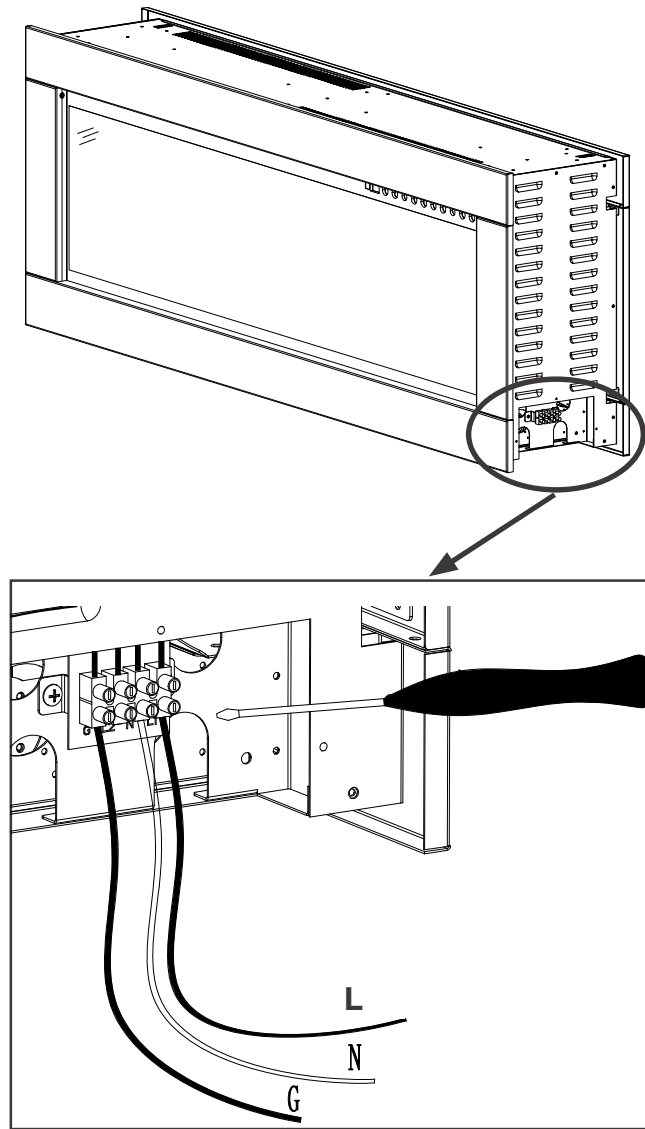
3.2 hard-wiring installation

! WARNING

- Turn off the appliance completely and let cool before servicing. Only a qualified service person should service and repair this electric appliance.

Hard-Wiring Connection

It is necessary to hard-wire this appliance. A qualified electrician must wire the appliance directly to the household wiring.

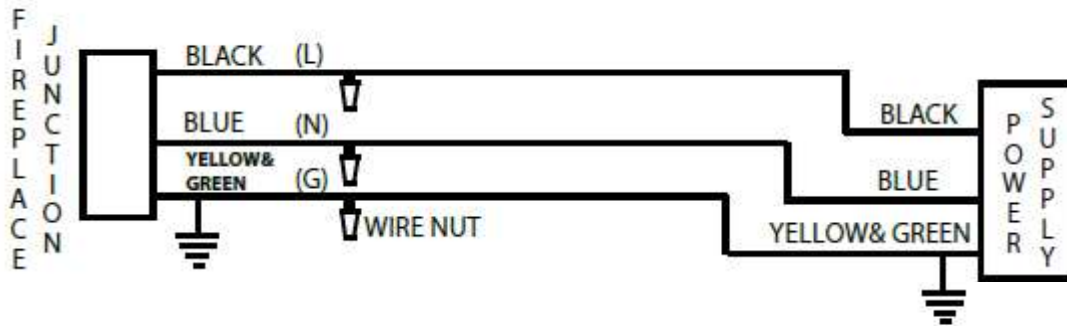
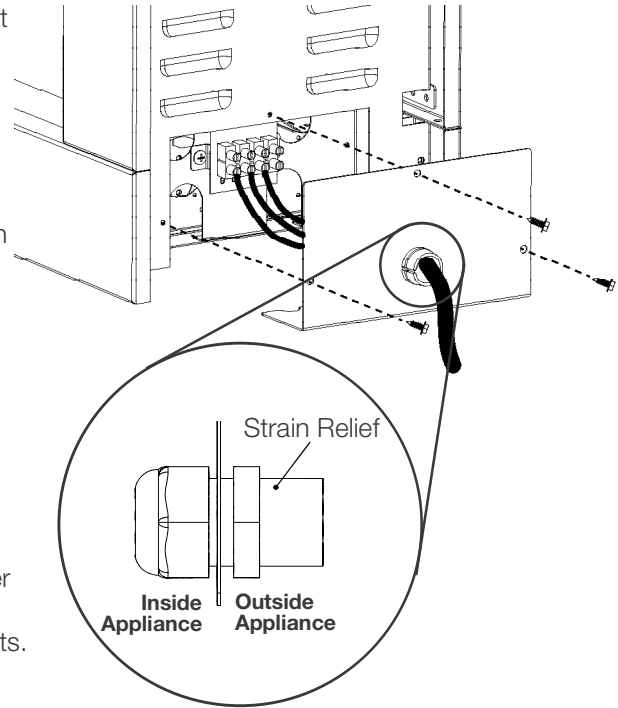


Hard-Wiring

electrical information

3.3 hard-wire connection

- A. Remove the cover plate by remove the 3 screws. Set screws aside.
- B. Add a strain relief and feed the supply wires through the 7/8" (22mm) hole from the terminal block. Use minimum 14AWG/3.
- C. Loosen the securing screws from the terminal block for the Yellow & Green (G) wire. Insert Yellow & Green (G) or bare copper wire from power supply to the designated (G) slots in the terminal block. Secure by tightening the screws on the (G) slots.
- D. Loosen the securing screws from the terminal block for the Blue (N) wire. Insert Blue (N) wire from power supply to the designated (N) slots in the terminal block. Secure by tightening the screws on the (N) slots.
- E. Loosen the securing screws from the terminal block for the Black (L) wire. Insert Black (L) wire from power supply to the designated (L) slots in the terminal block. Secure by tightening the screws on the (L) slots.
- F. Reinstall the cover plate.



note:

Leave enough wiring so that the appliance can be removed from the enclosure to access the hardwire connections.

If connections are wired incorrectly, the appliance will not function and will emit an audible warning (i.e. beep).

4.1 front trim removal / installation

WARNING

- Before the front trim or glass is removed or installed, unplug the appliance and wait until it is cool to the touch.
- Trim can be heavy and fragile. Handle with care.

note:

Removal / installation steps are the same for both sides of appliance (i.e. front and back).

- Remove the 2 screws holding the front trim in place (**Fig. 4-1**). Set screws aside.
- Have 2 people lift the front trim off the hooks located inside the firebox (**Fig. 4-2**). Place front trim face down on a soft, non-abrasive surface.
- Reverse these steps to install the front trim.

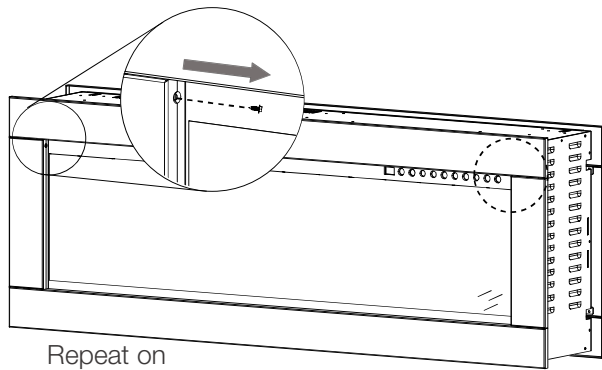


Fig. 4-1

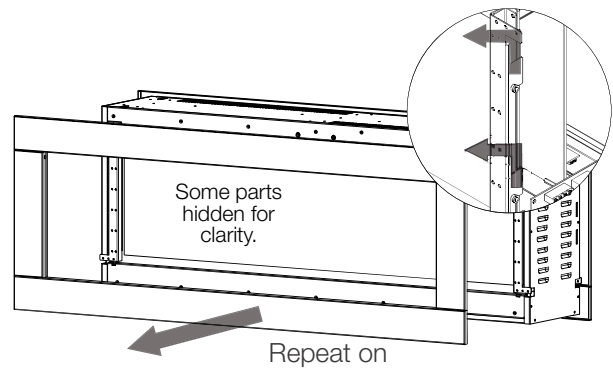


Fig. 4-2

4.2 front glass removal / installation

- Remove the 5 screws holding the front glass in place (**Fig. 4-3**).
- Have 2 people lift the front glass up and out, pivoting it away from the side panels (**Fig. 4-4**). Place the front glass face down on a soft, non-abrasive surface.
- Reverse these steps to install the front glass.

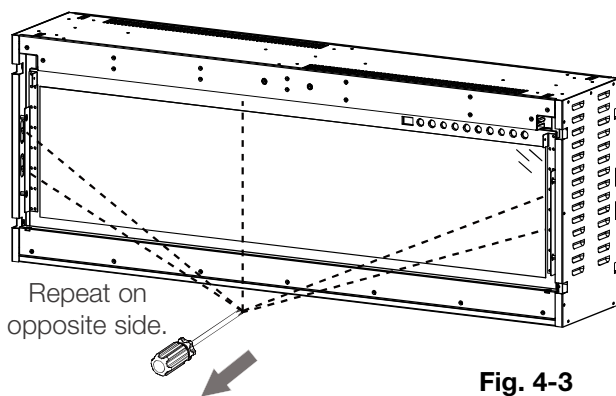


Fig. 4-3

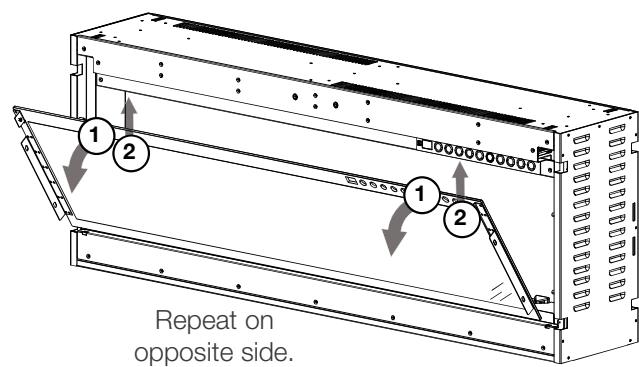


Fig. 4-4

finishing

4.3 media installation

There are 2 media options for this appliance: river rocks and driftwood logs, or white pebbles. See below for installation details.

4.3.1 river rock and driftwood log installation

The front glass must be removed and the appliance must be secured in its final location before the river rocks and driftwood logs are installed.

1. Carefully place the river rocks into the media tray on the front and back of the appliance.
2. Apply an even layer from side to side.
3. Place the driftwood logs on top of the river rocks as illustrated (**Fig. 4-5**).

note:

Do NOT cover triangular covers on the back side of the appliance. Blocking the triangular covers with media will alter the flame appearance (**Fig. 4-6**).



Fig. 4-5

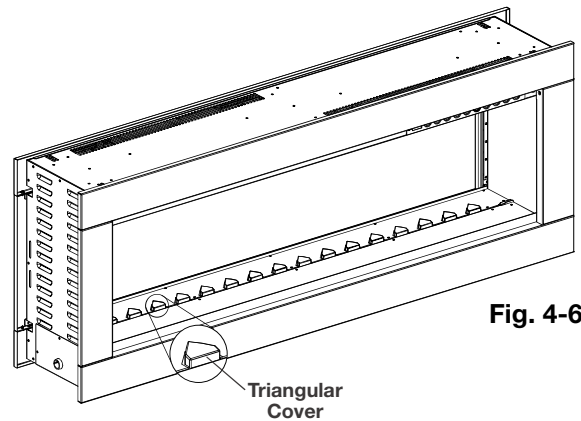


Fig. 4-6

4.3.2 white pebble installation

The front glass must be removed and the appliance must be secured in its final location before the white pebbles are installed.

1. Carefully place the white pebbles into the media tray on the front and back of the appliance.
2. Apply an even layer from side to side (**Fig. 4-7**).

note:

Do NOT cover triangular covers on the back side of the appliance. Blocking the triangular covers with media will alter the flame appearance (**Fig. 4-6**).



Fig. 4-7

! WARNING

- While the appliance is operating, do not remove the trim. This will cause the remote control and touch panel to malfunction.

Once the appliance has been hard-wired to a dedicated 220V-240V power supply, it is ready to operate.

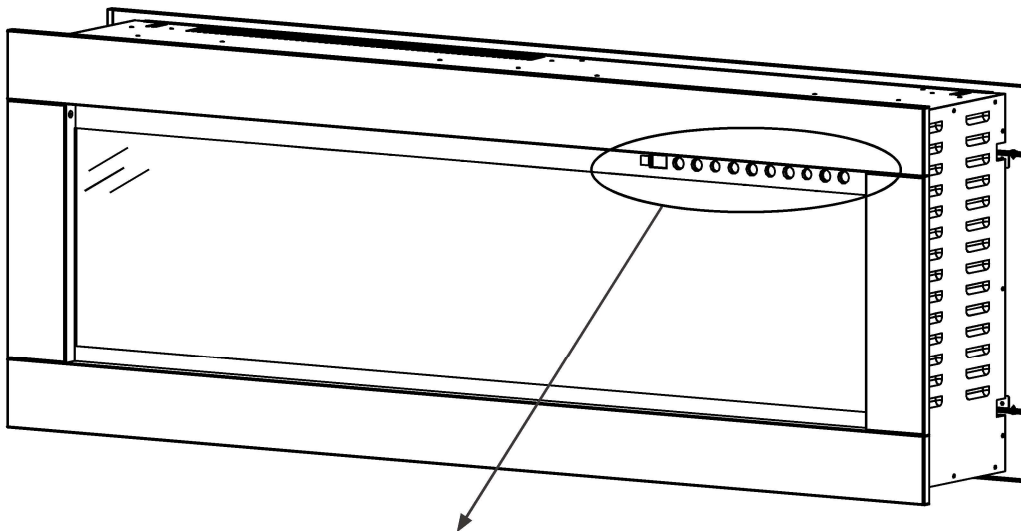
note:

Ensure the house circuit breakers for the power supply are turned on. In the event of a power failure, the appliance will lose its memory function and will reset to factory mode when the power returns.

5.1 main power button

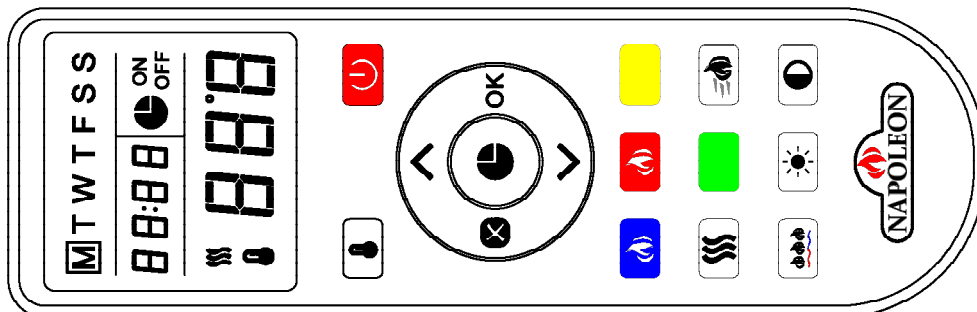
The main power button is located in the top right corner of the glass panel.

5.2 operating touch panel and remote control



touch panel

For illustrative purposes only. Touch panel may not always appear as illustrated.



remote control

note:





Buttons without icons are to be considered as buttons without any functions.

note:






When only the **heat** is on (i.e. no flames, no ember bed lights, etc.), the display window will be dim and show H1 or the chosen temperature.

When only the **fan** is on (i.e. no flames, no ember bed lights, etc.), the display window will be dim and show FAN.





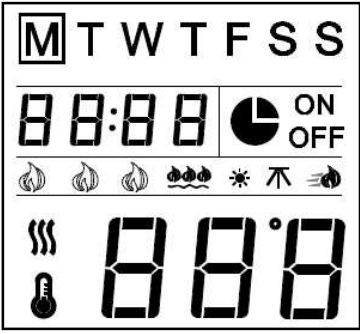
After the heater is turned off, the blower will continue running for 10 seconds. This helps to remove heat from the appliance and bring down its temperature.

Power		Turns appliance on and off.
Privacy Glass Control		Controls the privacy glass. Settings: G-1 - Half transparent mode (default) G-2 - Full transparent mode G-0 - No transparent mode Press and hold the button for 5 seconds to lock/unlock the privacy glass to G-0 status. When unlocked, the appliance will return to G-1 (default).
Orange Flame		Controls orange flame brightness. Settings: OF4 - Brightest flame OF3 - Bright flame OF2 - Dim flame OF1 - Dimmest flame OF0 - Flame off
Blue Flame		Controls blue flame brightness. Settings: BF4 - Brightest flame BF3 - Bright flame BF2 - Dim flame BF1 - Dimmest flame BF0 - Flame off
Ember Bed Brightness		Controls the brightness of the ember bed light. NOTE: If the ember bed colour is set to L16, the ember bed brightness setting cannot be changed. Settings: B-5 - Fade in and out B-4 - Brightest B-3 - Bright B-2 - Dim B-1 - Dimmest B-0 - Off





Continued on next page →

<p>Ember Bed Colour</p>		<p>Controls ember bed light settings.</p> <p>NOTE: Ember bed brightness must be between B-4 and B-1 to control ember bed colour.</p> <p>Settings: L01 - Orange L02 - Red L03 - Blue L04 - Yellow L05 - Green L06 - Purple L07 - Sky Blue L08 - Purple Red L09 - White L10 - Pink L11 - Yellow Green L12 - Ice Blue L13 - Orange Red L14 - Light Green L15 - Magenta L16 - Autocycle L17 - Lock a colour during L16 cycle</p>
<p>Flame Speed</p>		<p>Controls flame speed.</p> <p>Settings: S-3, S-4, S-5, S-1, S-2</p>
<p>Heater</p>		<p>Turns the heater and blower on/off.</p> <p>Settings: H-0 - Heater and blower off FAN - Blower on H-1 - Heater on (1000W each side) LOC - Lock-out of heater and thermostat</p> <p>NOTE: Press and hold the heater button for 5 seconds to lock / unlock the heater and thermostat.</p> <p>NOTE: Each side of the appliance has an independent heater control.</p>
<p>Timer</p>		<p>Sets the timer.</p> <p>Settings: 30M, 1Hr, 2Hr, 3Hr, 4Hr, 5Hr, 6Hr, 7Hr, 8Hr.</p> <p>NOTE: The display will read "---" after completing the 9 timer settings.</p>
<p>Temperature Control</p>		<p>Sets desired temperature.</p> <p>Settings: 18°C (64°F), 19°C (66°F), 20°C (68°F), 21°C (70°F), 22°C (72°F), 23°C (74°F), 24°C (76°F), 25°C (78°), 26°C (80°F), 27°C (82°F), and OFF.</p> <p>To switch between °C and °F or vice versa, hold the temperature control button for 5 seconds.</p>



5.3 timer settings on remote control

 Timer: Displays current day, time, and week. Press to enter or confirm timer settings.		
OK Settings: Press to move to next step (use with Timer button). Press to confirm week timer.		
 Back: Press to clear timer settings. Press to return to the previous step (use with Settings button).		
 Up and down: Use with Settings button.		
LCD Screen		
Weekday: _____ Mon., Tues., Wed., Thurs., Fri., Sat., Sun.		NOTE: The functions can only be adjusted when the related letters or digits are flashing. NOTE: Calibrate the timer to current time before the weekly settings.
Time Display: _____		
Current Time / Timer From 00:00 to 24:00 NOTE: 00-12:00 is AM / 13:00 - 24:00 is PM		

5.3.1 set current day and time




1. Press  once. When "MON" (Monday) begins flashing, use  to select current day. Press OK to complete the setting.
2. When the hour digits begin flashing, use  to select the current hour. Press OK to complete the setting.
3. When the minute digits begin flashing, use  to select the current minute. Press OK to complete the setting.

5.3.2 set ON/OFF time and temperature on a weekly cycle

1. Press  once. When "MON" (Monday) begins flashing, use  to select current day. Press OK to complete the setting.



note:

The timer can only be adjusted in 30-minute intervals (i.e. 00:00 - 00:30; 00:30 - 01:00, etc.).

2. When "--:--" begins flashing, use  to select the desired hour and minutes to turn on the heater. Press OK to complete the setting. Press  at any time to clear the digits and shut down "ON" timer.
3. When "18" begins flashing, use  to select the desired temperature to turn on the heater for Monday.

note:

If the temperature was previously set, those digits will be shown instead of "18".

4. When "--:--" begins flashing, use  to select the desired hour and minutes to turn off the heater. Press OK to complete the setting. Press  at any time to clear the digits and shut down "OFF" timer.

5. Repeat steps 1 to 4 to set the "ON/OFF" time and temperature for Tuesday, Wednesday, Thursday, Friday, Saturday, and Sunday.
6. Press OK to complete programming, ensuring the aim the remote control at the receiver, located in the middle of the appliance. The appliance will "beep" once to confirm that programming has been successful.

5.4 open window warning

If the room temperature decreases by 10 degrees within 3 minutes, the appliance will assume there is an open window nearby. In order to conserve energy, the heater will automatically switch from High Heat to Low Heat, or if the heater is already at Low Heat, it will turn off completely.

When switching from High Heat to Low Heat, the appliance will beep 3 times and the digital display will flash "88" three times before displaying the existing heating status.

When switching from Low Heat to Off, the appliance will beep 3 times and the digital display will flash "88" continuously.

To reset the heating function, see "operating remote control" section.

6.0 maintenance

6.1 cleaning

WARNING

- Always turn the heater off and unplug the power cord from the outlet before cleaning, performing maintenance, or moving this appliance. Failure to do so could result in electric shock, fire, or personal injury.
- Never immerse in water or spray with water. Doing so could result in electric shock, fire, or personal injury.

Metal:

- Buff using a soft cloth, slightly dampened with a citrus oil-based product.
- Do not use brass polish or household cleaners as these products will damage the metal trim.

Glass:

- Use a good quality cleaner sprayed onto the cloth or towel. Dry thoroughly with a paper towel or lint-free cloth.
- Never use abrasive cleaners, liquid sprays, or any cleaner that could scratch the surface.

Vents:

- Use a vacuum or duster to remove dust and dirt from the heater and vent areas.

Plastic:

- Wipe gently with a slightly damp cloth and a mild solution of dish soap and warm water.
- Never use abrasive cleaners, liquid sprays, or any cleaner that could scratch the surface.

 **WARNING**

- Failure to position the parts in accordance with this manual or failure to use only parts specifically approved with this appliance may result in property damage or personal injury.

Contact your dealer for questions concerning prices and policies on replacement parts. Normally, all parts can be ordered through your Authorized dealer / distributor.

For warranty replacement parts, a photocopy of the original invoice will be required to honour the claim.

When ordering replacement parts always give the following information:

- Model & Serial Number of appliance
- Installation date of appliance
- Part number
- Description of part
- Finish

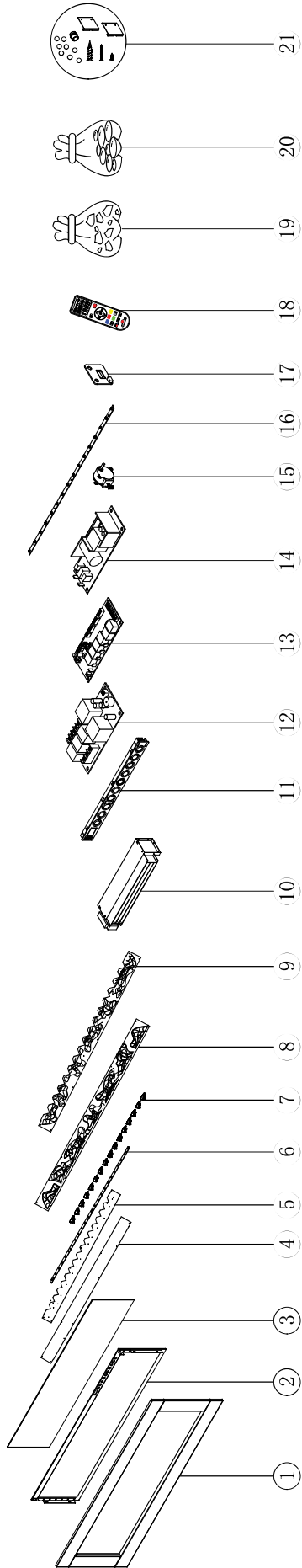
Parts, part numbers, and availability are subject to change without notice.

Parts identified as stocked will be delivered within 2 to 5 business days for most delivery destinations.

Parts not identified as stocked will be delivered within a 2 to 4 week period, for most cases.

Parts identified as 'SO' are special order and can take up to 90 days for delivery.

7.1 overview



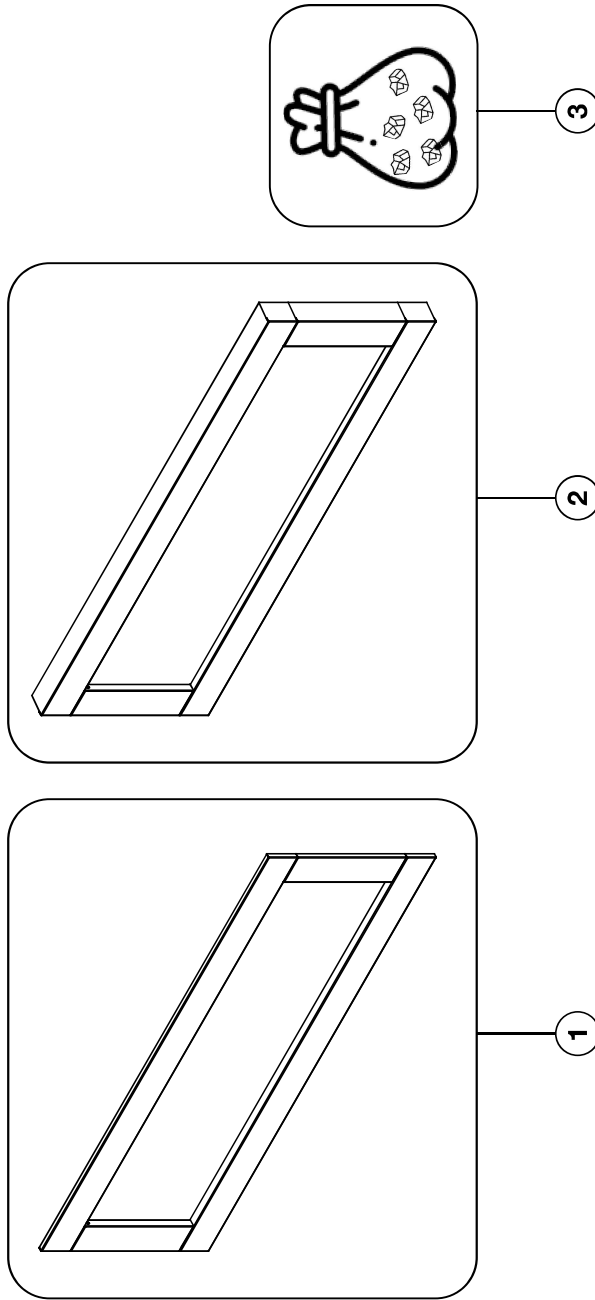
Items may not appear exactly as illustrated.

Ref. No.	Part No.	Qty.	Description	Stocked	Ref. No.	Part No.	Qty.	Description	Stocked
1	W715-1227-SER	2	Front trim, black	Yes	13	W190-0223	1	Main PCB board	Yes
2	W300-0313-SER	2	Front glass	Yes	14	W190-0179-SER	1	Power driver for privacy glass	Yes
3	W300-0314-SER	1	Privacy glass	Yes	15	W435-0090-SER	1	Step motor	Yes
4	W497-1608-SER	1	Front, media tray holder	Yes	16	W405-0083-SER	1	LED light for flame	Yes
5	W497-1609-SER	1	Back, media tray holder	Yes	17	W690-0021	2	Thermostat	Yes
6	W405-0085-SER	2	LED ember bed light strip	Yes	18	W190-0224	2	Remote control	Yes
7	W405-0084-SER	16	Triangular cover	Yes	19	W497-1634	2	White pebbles	Yes
8	W135-0936-SER	1	Front, log set assembly	Yes	20	W497-1635	2	River Rocks	Yes
9	W135-0937-SER	1	Back, log set assembly	Yes	21	W370-0191-SER	1	Hardware kits & wall mount bracket	Yes
10	W010-5005	2	Heater and blower assembly	Yes	22 **	W430-0023-SER	1	Magnetic buttons (x8)	Yes
11	W475-6144-SER	2	Touch-on control panel with receiver	Yes	23 *	W527-0042-SER	1	Reflector drum	Yes
12	W190-0180-SER	1	Hard-wiring PCB board	Yes	24	W135-1023	2	Driftwood log #1	Yes
					25	W135-1024	2	Driftwood log #2	Yes
					26	W135-1025	2	Driftwood log #3	Yes
					27	W135-1026	2	Driftwood log #4	Yes
					28	W135-1027	2	Driftwood log #5	Yes

* Parts not illustrated.

** These magnetic buttons are for decorative purposes only. They are meant to be placed in the corners of the appliance surround (see "magnetic buttons" section for details).

8.1 accessories



Items may not appear exactly as illustrated.

Ref. No.	Part No.	Description	Stocked
1	NEFBD50HE-SS-TRIM	Stainless steel trim (x2)	Yes
2 *	NEFBD50HE-SS-DTRM	Stainless steel deep trim (x2)	Yes
2 *	NEFBD50HE-DTRM	Black deep trim (x2)	Yes
3 **	W497-0067-SER	Bag of crystals, large	Yes

* For use with 4 1/2" (114mm) thick walls. For more information, see "framing" section.

** 5 crystals per bag. This appliance requires 2 bags.

9.0 troubleshooting

WARNING

- Turn off the appliance completely and let cool before servicing. Only a qualified service person should service and repair this electric appliance.

symptom	problem	solution
Appliance will not come on when power button/switch is put into the "on" position.	House circuit breaker has tripped.	Reset house circuit breaker.
	Hard-wire connections are not correct (if applicable).	See "hard-wiring installation" section.
	Appliance has overheated and safety thermal switch has tripped.	Unplug power or turn off the circuit breaker, allow appliance to cool for 15 minutes, then plug in the appliance or turn the breaker on.
	Main PCB board issue.	Inspect the circuit board and replace, if necessary.
Appliance turns off and will not turn on.	House circuit breaker has tripped.	Reset house circuit breaker.
	Appliance's fuse has blown.	Replace the fuse.
	Appliance has overheated and safety thermal switch has tripped.	Unplug power or turn off the circuit breaker, allow appliance to cool for 15 minutes to reset the thermal switch, then plug in the appliance or turn the breaker on.
Appliance has returned to default settings.	Power failure.	Re-program appliance to original settings (not applicable with all appliances).
Remote control does not work.	Low/dead batteries.	Replace batteries in remote control.
	Remote receiver malfunction.	Ensure remote receiver is not blocked. Replace control panel.
No warm air coming out of the appliance.	Heater setting not selected.	See "operation" section.
	Heater has been locked out.	See "operation" section.
	Room temperature is higher than appliance setting (if set to room temperature).	Reset temperature setting.
	Appliance has overheated and safety thermal switch has tripped.	Unplug power or turn off the circuit breaker. Allow for appliance to cool for 15 minutes.
	Hard-wire connections are not correct (if applicable).	See "hard-wiring installation" section.
	Heater issue.	Inspect the blower and heater and replace, if necessary.
Heater shuts off automatically.	Room is too warm.	The heater has a built-in thermostat so it will shut off automatically once the pre-set temperature is reached. It will also turn on automatically if the room temperature drops below the pre-set temperature.
Dim or no flame.	Flame brightness not selected.	See "operation" section.
	Flame LEDs issue.	Inspect the LED and replace, if necessary.
	Main PCB board issue.	Inspect the main PCB board and replace, if necessary.
Flame does not move.	Motor is stalled/malfunctioning.	Cycle on/off. If problem persists, consult dealer.
Ember bed is not glowing or dimming.	Brightness not selected.	See "operation" section.
	Ember LED issue.	Inspect the ember bed LEDs and replace, if necessary.
	Main PCB board issue.	Inspect the main PCB board and replace, if necessary.

Napoleon electric appliances are manufactured under the strict Standard of the world recognized ISO 9001 : 2015 Quality Management System.

Napoleon products are designed with superior components and materials and assembled by trained craftsmen who take great pride in their work. Once assembled, the complete appliance is thoroughly inspected by a qualified and authorized installer, service agency, or supplier before packing to ensure that you, the customer, receive the quality product that you expect from **Napoleon**.

Napoleon Electric Appliance Limited Warranty

Electrical components and wearable parts are covered and **Napoleon** will provide replacement parts free of charge during the first 2 years of limited warranty. This covers: fan/heaters, motors, switches, nylon bearing components, remote controls, and LED lights.*

Light bulbs and fuses are NOT covered by the warranty.

Any labour related to warranty repair is not covered.

* Construction of models vary. Warranty applies only to components included with your specific appliance.

Conditions and Limitations

Napoleon warrants its products against manufacturing defects to the original purchaser only. Registering your warranty is not necessary. Simply provide your proof of purchase along with the model and serial number to make a warranty claim. Provided that the purchase was made through an authorized **Napoleon** dealer, your appliance is subject to the following conditions and limitations:

Warranty coverage begins on the date of original installation.

This factory warranty is non-transferable and may not be extended whatsoever by any of our representatives.

Installation must be done in accordance with the installation instructions included with the product and all local and national building and fire codes.

This limited warranty does not cover damages caused by misuse, lack of maintenance, accident, alterations, abuse, or neglect and parts installed from other manufacturers will nullify this warranty.

This limited warranty further does not cover any scratches, dents, corrosion, or discolouring caused by excessive heat, abrasive and chemical cleaners, nor chipping on porcelain enamel parts, mechanical breakage of PHAZER™ logs.

In the first 2 years only, this warranty extends to the repair or replacement of warranted parts which are defective in material or workmanship, provided that the product has been operated in accordance with the operation instructions and under normal conditions.

Napoleon will not be responsible for installation, labour, or any other expenses related to the reinstallation of a warranted part, and such expenses are not covered by this warranty. Notwithstanding any provisions contained in the Limited Warranty, **Napoleon** responsibility under this warranty is defined as above, and it shall not in any event extend to any incidental, consequential, or indirect damages.

This warranty defines the obligations and liability of **Napoleon** with respect to the **Napoleon** electric appliance and any other warranties expressed or implied with respect to this product; its components or accessories are excluded.

Napoleon neither assumes, nor authorizes any third party to assume, on its behalf, any other liabilities with respect to the sale of this product.

Any damages to appliance, brass trim or other component due to water, weather damage, long periods of dampness, condensation, damaging chemicals, or cleaners will not be the responsibility of **Napoleon**.

Napoleon reserves the right to have its representative inspect any product or part thereof prior to honouring any warranty claim.

All parts replaced under the Limited Warranty Policy are subject to a single claim.

All parts replaced under the warranty will be covered for a period of 90 days from the date of their installation.

The manufacturer may require that defective parts or products be returned or that digital pictures be provided to support the claim. Returned products are to be shipped prepaid to the manufacturer for investigation. If a product is found to be defective, the manufacturer will repair or replace such defect.

Before shipping your appliance or defective components, your dealer must obtain an authorization number. Any merchandise shipped without authorization will be refused and returned to sender.

Shipping costs are not covered under this warranty.

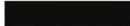
Additional service fees may apply if you are seeking warranty service from a dealer.

All specifications and designed are subject to change without prior notice due to on-going product improvements. **Napoleon** is a registered trademark of Wolf Steel Ltd.

NAPOLEON CELEBRATING OVER 40 YEARS OF HOME COMFORT PRODUCTS



WEEE :



Meaning of crossed-out wheeled dustbin:

Do not dispose of electrical appliances as unsorted municipal waste, use separate collection facilities. Contact your local government for information regarding the collection systems available. If electrical appliances are disposed of in landfills or dumps, hazardous substances can leak into the groundwater and get into the food chain, damaging your health and well-being.

When replacing old appliances with new ones, the retailer is legally obligated to take back your old appliance for disposals at least free of charge.

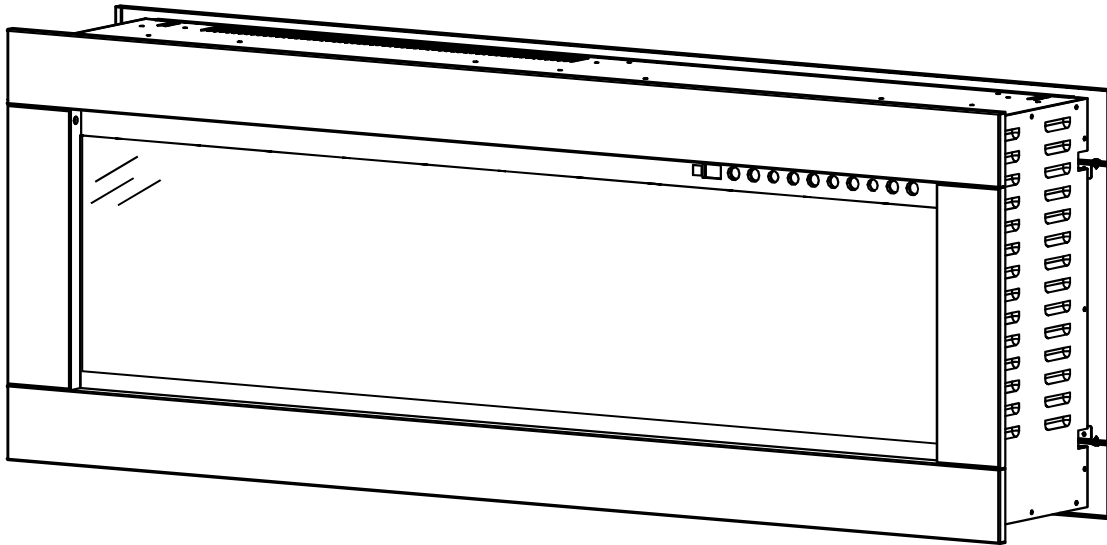


7200, Route Transcanadienne, Montréal, Québec H4T 1A3
24 Napoleon Road, Barrie, Ontario, Canada L4M 0G8
214 Bayview Drive, Barrie, Ontario, Canada L4N 4Y8
103 Miller Drive, Crittenden, Kentucky, USA 41030
De Riemsdijk 22, 4004 LC Tiel, The Netherlands
napoleon.com



MANUEL D'INSTALLATION ET D'OPÉRATION

CLEARion™ Elite



CONSIGNES DE SÉCURITÉ

⚠ AVERTISSEMENT

RISQUE D'INCENDIE OU D'EXPLOSION

Si ces instructions ne sont pas suivies à la lettre, un incendie pourrait s'ensuivre causant des dommages matériels, des blessures corporelles ou des pertes de vie.

- N'entreposez pas et n'utilisez pas d'essence ou autres liquides et vapeurs inflammables à proximité de cet appareil ou tout autre appareil.

INSTALLATEUR:

Laissez ce manuel avec l'appareil

PROPRIÉTAIRE:

Conservez ce manuel pour consultation ultérieure.

POUR L'UTILISATION INTÉRIEUR SEULEMENT



Wolf Steel Europe BV
De Riemsdijk 22, 4004 LC Tiel, Pays-Bas

AVERTISSEMENT

- **Si équipé avec un chauffage, cet appareil peut être chaud lorsqu'il fonctionne et peut causer de graves brûlures en cas de contact.**
- Ne faites pas fonctionner l'appareil avant d'avoir lu et compris les instructions d'utilisation. L'incapacité de respecter les instructions pourrait causer un incendie ou des blessures corporelles.
- N'installez pas de composants endommagés ou incomplets, ni des composants de substitution.
- Ne brûlez pas de bois ou autres matériaux dans cet appareil.
- Tous les appareils électriques contiennent des composants internes qui deviennent chauds et qui produisent des étincelles. N'utilisez pas cet appareil dans des endroits où de l'essence, des peintures ou d'autres liquides inflammables sont présents.
- Les grillages de sécurités ou écrans enlevés pour faire l'entretien devront être remis en place avant d'utiliser l'appareil.
- Il est primordial de garder propres les compartiments de contrôle, les brûleurs, la soufflerie, les bouches d'air de l'appareil ainsi que le système d'évacuation. L'appareil et son système d'évacuation doivent être inspectés avant la première utilisation et au moins une fois l'an par un spécialiste en entretien. Un entretien plus fréquent pourrait être nécessaire en raison des peluches provenant des tapis, literie, etc. L'emplacement de l'appareil doit être gardé libre de tous matériaux combustibles, essence ou autres liquides et vapeurs inflammables.
- Cet appareil ne devra être modifié en aucun cas.
- N'utilisez pas cet appareil si une partie quelconque a été submergée. Contactez immédiatement un technicien de service qualifié pour inspecter l'appareil et pour remplacer toute pièce du système de contrôle qui aurait été submergée.
- Si équipé avec une porte vitrée, n'opérer pas l'appareil lorsque la porte vitrée est enlevée, fissurée ou brisée. Le remplacement de la vitre devra être effectué par un technicien de service certifié ou qualifié.
- Si équipé avec un porte vitrée, ne frappez pas et ne claquez pas la porte vitrée de l'appareil.
- Les matériaux d'emballage doivent être gardés hors de la portée des enfants et mis au rebut de façon sécuritaire. Comme tous les emballages de plastique, ceux-ci ne sont pas des jouets et doivent demeurer hors de la portée des enfants et des bébés.
- L'entretien ne doit être effectué que lorsque l'appareil est débranché du circuit électrique.
- N'utilisez pas l'appareil si le cordon d'alimentation ou la fiche sont endommagés, s'il ne fonctionne pas bien, ou s'il a été échappé ou endommagé d'une quelconque façon. Retournez l'appareil à un centre de service autorisé pour une inspection, des ajustements électriques ou mécaniques ou une réparation.
- N'utilisez pas cet appareil à l'extérieur.
- Lorsque vous installez cet appareil dans une pièce où l'eau est présente, l'installation doit se conformer aux codes reconnaissant le risque accru de décharge électrique et d'électrocution.

note:

Cet appareil NE PEUT PAS être installé dans une salle de bain.

- Ne passez pas le cordon d'alimentation sous un tapis. Ne recouvrez pas le cordon avec des carpettes, des tapis de couloir ou autres revêtements similaires. Évitez de placer le cordon dans un endroit passant ou à un endroit où il risque de causer des chutes.
- Branchez seulement dans une prise de courant adéquatement mise à la terre.
- N'insérez pas d'objets dans les ouvertures d'entrée d'air ou de sortie d'air puisque cela risque d'endommager l'appareil ou causer des chocs électriques ou un incendie.
- Il est normal que votre appareil électrique produise du bruit, surtout s'il est installé dans un endroit calme comme un chambre à coucher.

! AVERTISSEMENT

- Pour prévenir les risques d'incendie, ne bloquez pas les entrées d'air et les sorties d'air de quelque manière que ce soit. Ne placez pas cet appareil sur une surface molle telle qu'un tapis où les ouvertures pourraient se bloquer.
- Cet appareil a été testé et homologué pour usage avec les accessoires optionnels listés dans ce manuel uniquement. L'utilisation d'accessoires optionnels qui n'ont pas été spécifiquement testés pour cet appareil électrique annulera la garantie de l'appareil et/ou présentera des risques pour la sécurité.

Pour les appareil équipé avec chauffage:

- Risque de brûlures. L'appareil doit être éteint et refroidi avant d'effectuer l'entretien. Pour débrancher l'appareil, mettez d'abord les boutons de contrôle à « OFF » puis retirez la fiche de la prise de courant.
- Les jeunes enfants doivent être supervisés attentivement lorsqu'ils sont dans la même pièce que l'appareil recommandés s'il y a dans la maison des individus à risque. Les jeunes enfants et autres personnes sont sujets aux brûlures accidentelles. Une barrière de protection est recommandée s'il y a dans la maison des individus à risque. Afin de restreindre l'accès à l'appareil, installez une barrière de protection ajustable pour garder les jeunes enfants ou autres personnes à risque hors de la pièce et loin des surfaces chaudes.
- Les vêtements et autres matériaux combustibles ne doivent pas être posés sur l'appareil ou à proximité.
- En raison des températures élevées, l'appareil devrait être placé loin des endroits passants et loin des meubles et des rideaux.
- Assurez-vous de disposer de mesures de sécurité adéquates pour empêcher les jeunes enfants de toucher aux surfaces chaudes.
- Même lorsque l'appareil est éteint, la porte et l'écran demeureront chauds pendant un bon moment.
- Consultez votre détaillant local de foyer pour connaître les grillages de sécurité et les écrans offerts pour protéger les enfants des surfaces chaudes. Ces grillages de sécurité et ces écrans doivent être fixés au plancher.
- Assurez-vous de respecter les dégagements aux matériaux combustibles lorsque vous installez un manteau ou des tablettes au-dessus de l'appareil. Les téléviseurs et autres composants électroniques soumis à des températures élevées peuvent fondre, se déformer, se décolorer et entraîner des défaillances prématurées de ces appareils.

! AVERTISSEMENT: Ce produit peut vous exposer à des substances chimiques incluant le plomb et les composés de plomb qui, selon l'État de Californie, causeraient le cancer, et des substances chimiques incluant le BBP et DEHP qui, selon d'État de Californie, causeraient des malformations congénitales ou autres dangers pour la reproduction. Pour de plus amples renseignements, visitez le www.P65Warnings.ca.gov.

table de matières

FR

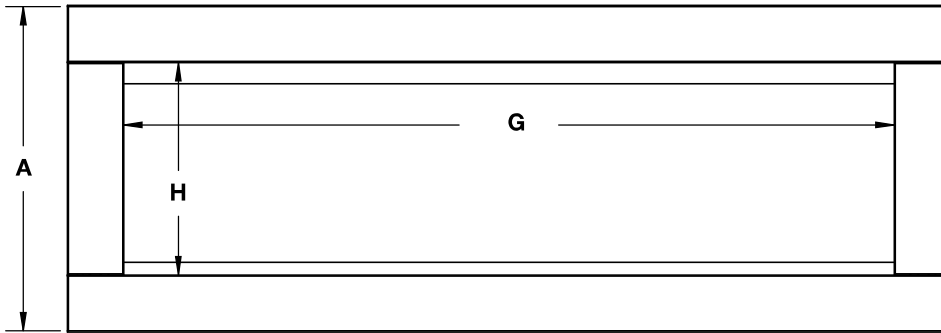
1.0	informations générales	35
1.1	dimensions	35
1.2	informations sur le produit	36
1.3	instructions générales	36
1.4	liste des pièces	36
1.5	déballage de l'appareil	37
1.6	informations de la plaque signalétique	37
1.7	boutons aimantés	38
2.0	installation	39
2.1	emplacement de l'appareil	39
2.2	mise à la terre de l'appareil	40
2.3	espace minimum requis pour les matériaux combustibles	40
2.4	espace minimum requis pour le manteau	40
2.5	cadre	41
2.6	installation de l'appareil	42
3.0	caractéristiques électriques	44
3.1	schéma de câblage	44
3.2	installation du raccordement câblé	45
3.3	raccordement câblé	46
4.0	finitions	47
4.1	retrait/installation de l'écran frontal	47
4.2	retrait/installation de la vitre	47
4.3	installation des décorations	48
4.3.1	installation des pierres de rivière et du bois flotté	48
4.3.2	installation des galets blancs	48
5.0	mode d'emploi	49
5.1	interrupteur principal	49
5.2	utilisation du panneau tactile et de la télécommande	49
5.3	timer settings on remote control	52
5.3.1	réglage de la date et l'heure	52
5.3.2	réglage des temps d'allumage et de la température par cycle hebdomadaire	52
5.4	détection de fenêtre ouverte	53
6.0	entretien	54
6.1	nettoyage	54
7.0	pièces de rechange	55
7.1	vue d'ensemble	56
8.0	accessoires	57
8.1	accessoires	57
9.0	guide de dépannage	58
10.0	garantie	59

Remarque :

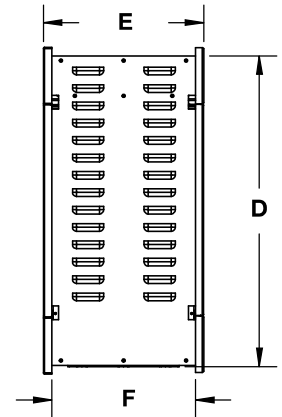
Les informations contenues dans ce manuel sont considérées comme étant correctes au moment de l'impression. Wolf Steel Ltd se réserve le droit de changer ou de modifier toute information présente dans ce manuel, à tout moment et sans préavis. Toute modification, autre qu'éditoriale, est signalée par une ligne verticale dans la marge.

1.1 dimensions

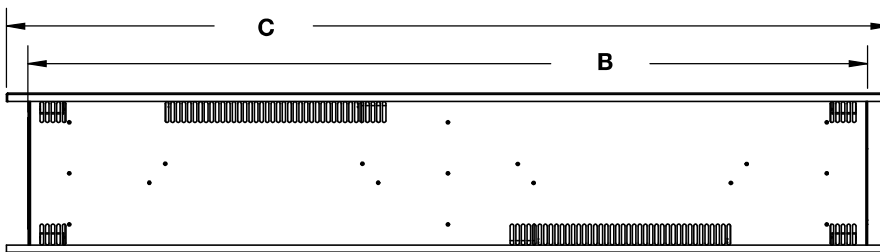
vue de face



vue latérale droite



vue de dessus



A	B	C	D	E	F	G	H
18 3/8" (467mm)	47 9/16" (1208mm)	50" (1270mm)	17 5/8" (447mm)	9 1/16" (231mm)	8 1/8" (207mm)	43 5/8" (1108mm)	12 1/16" (306mm)

informations générales

FR

1.2 informations sur le produit

Cet appareil a été testé selon les normes CSA pour appareils de chauffage électriques installés de façon permanente aux États-Unis et au Canada. En cas d'aide requise pendant l'installation, contacter votre détaillant local.

	NEFBD50HE-EU
Description	Appareil électrique double face
Type	Appareil électrique
Tension	220-240 V CA
Watts	1 750 - 2 000 W
Ampères	Circuit mis à la terre dédié de 15 A
Poids net	101,4 livres (46 kg)
Poids brut	131,2 livres (59,5 kg)

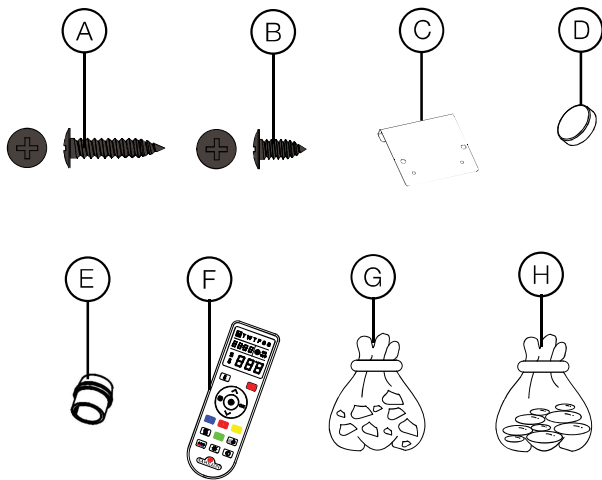
1.3 instructions générales

- Il est possible que l'appareil dégage une légère odeur inoffensive lors de la première utilisation. Cela est une condition normale causée par le chauffage initial des éléments de l'appareil. Elle ne se reproduira plus.
- Si votre appareil n'émet pas de chaleur lorsqu'il est sollicité, consultez la section « fonctionnement » de ce manuel pour de plus amples renseignements.
- Utilisez avec un limiteur de surtension certifié CSA ou UL.

Cet appareil électrique répond aux normes de construction et de sécurité du H.U.D. pour des applications dans des maisons préfabriquées lorsqu'il est installé selon ces instructions.

Comme la plupart des dispositifs électroniques, cet appareil électrique a été conçu pour fonctionner entre 5 °C (41 °F) et 35 °C (95 °F). Durant les mois d'hiver généralement plus froids, laissez l'appareil atteindre la température ambiante avant de l'allumer.

1.4 liste des pièces



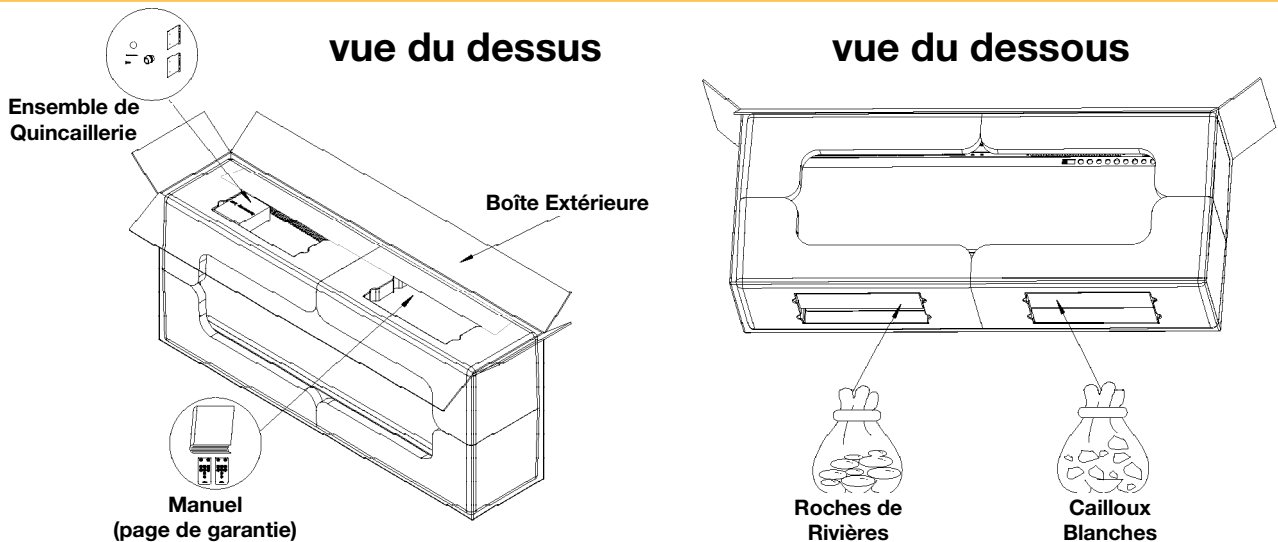
Réf.	Description	Quantité
A	Vis à métal (noires)	4
B	Vis à métal (noires)	12
C	Support de fixation	2
D	Boutons aimantés	8
E	Serre-câble	1
F	Télécommande	2
G	Galets blancs	2 sacs
H	Pierres de rivière	2 sacs
I	Bois flotté	2 lots



1.5 déballage de l'appareil

⚠ AVERTISSEMENT

- Veiller à retirer délicatement l'appareil de la boîte.



Remarque :

L'appareil est livré avec des panneaux de fibres à densité moyenne (panneaux MDF) installés sur les côtés. Voir la section « Installation de l'appareil » pour en savoir plus sur la manière de les retirer.

1.6 informations de la plaque signalétique

ELECTRIC FIREPLACE. SUITABLE FOR BEDROOM AND BED-SITTING ROOM INSTALLATION. SUITABLE FOR MOBILE HOME INSTALLATION.

VOLTAGE: 220-240 VAC
 FREQUENCY: 50Hz
 POWER: 1750-2000W
 DATE CODE: XXXXX

MODELS
 NEFBD50HE-EU CEFBD50HE-EU

Manufacturer: Wolf Steel Ltd.
 24 Napoleon Road,
 Barrie, ON, L4M 0G8 Canada

Importer: Wolf Steel Europe BV
 De Riemsdijk 22, 4004 LC Tiel,
 The Netherlands

DESIGNED IN NORTH AMERICA
 BY WOLF STEEL LTD.
 MADE IN CHINA

SERIAL NUMBER: NEFBD000000 W385-2593

CE, TÜV Rheinland ZERTIFIZIERT, GS, RoHS, Reach, www.tuv.com ID: 1418045001

L'illustration n'est présentée qu'à titre de référence. Pour des informations précises à propos de l'appareil, consulter la plaque signalétique.

Remarque :

La plaque signalétique doit toujours rester à proximité de l'appareil. Elle ne doit pas être retirée.

informations générales

FR

1.7 boutons aimantés

Votre appareil est équipé de boutons aimantés (voir les sections « Liste des pièces » et « Pièces de rechange » pour en savoir plus). **Ces boutons ont une fonction décorative uniquement, il n'est donc pas obligatoire de les installer.**

En cas d'utilisation, placer les boutons aimantés aux quatre coins du cadre de l'appareil (**Fig. 1-1**). Éviter de les faire glisser, car cela peut rayer la surface peinte.

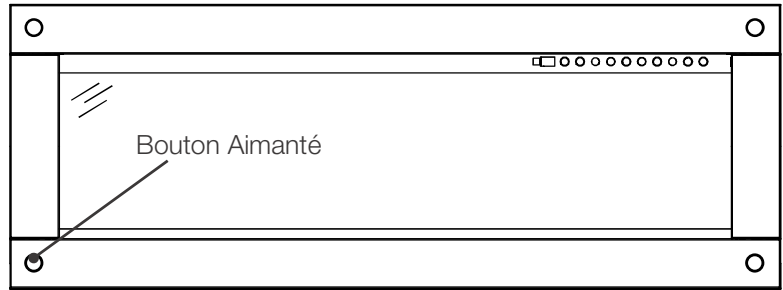


Fig. 1-1

! AVERTISSEMENT

- Risque d'incendie! Le cordon d'alimentation ne doit pas être coincé contre une arrête vive. Fixez le cordon pour éviter les chutes ou les accrochages afin de réduire le risque d'incendie, de choc électrique ou de blessures corporelles. Ne passez pas le cordon d'alimentation sous un tapis. Ne recouvrez pas le cordon avec des carpettes, des tapis de couloir ou autres revêtements similaires. Évitez de placer le cordon dans un endroit passant ou à un endroit où il risque de causer des chutes.
- Risque d'incendie! Pour prévenir les risques d'incendie, ne bloquez pas les entrées d'air et les sorties d'air de quelque manière que ce soit. Ne placez pas cet appareil sur une surface molle où les ouvertures pourraient se bloquer.
- Risque d'incendie! Ne soufflez pas ou ne placez pas d'isolant contre l'appareil.
- Cet appareil électrique a été testé et homologué pour usage avec les accessoires optionnels listés dans ce manuel uniquement. L'utilisation d'accessoires optionnels qui n'ont pas été spécifiquement testés pour cet appareil électrique annulera la garantie de l'appareil et/ou présentera des risques pour la sécurité.
- Si ces instructions ne sont pas suivies à la lettre, un incendie ou une explosion pourraient s'ensuivre, causant des dommages matériels, des blessures corporelles ou des pertes de vie. N'entreposez pas et n'utilisez pas d'essence ou autres vapeurs inflammables à proximité de cet appareil ou tout autre appareil.
- Étant donné la lourdeur de cet appareil, il est recommandé que deux personnes en fassent l'installation.
- Si votre appareil est équipé avec chauffage, assurez-vous que les ouvertures de la chauffage ne peut pas, dans aucune façon, être recouverts car il peut provoquer un incendie.
- N'exécutez pas le cordon d'alimentation horizontalement, directement en dessous de l'appareil.

Il s'agit d'un appareil électrique double face à installer dans un mur. Choisir un emplacement adapté, à l'abri de l'humidité, sans passages fréquents et sans meubles et tissus à proximité.

Remarque :

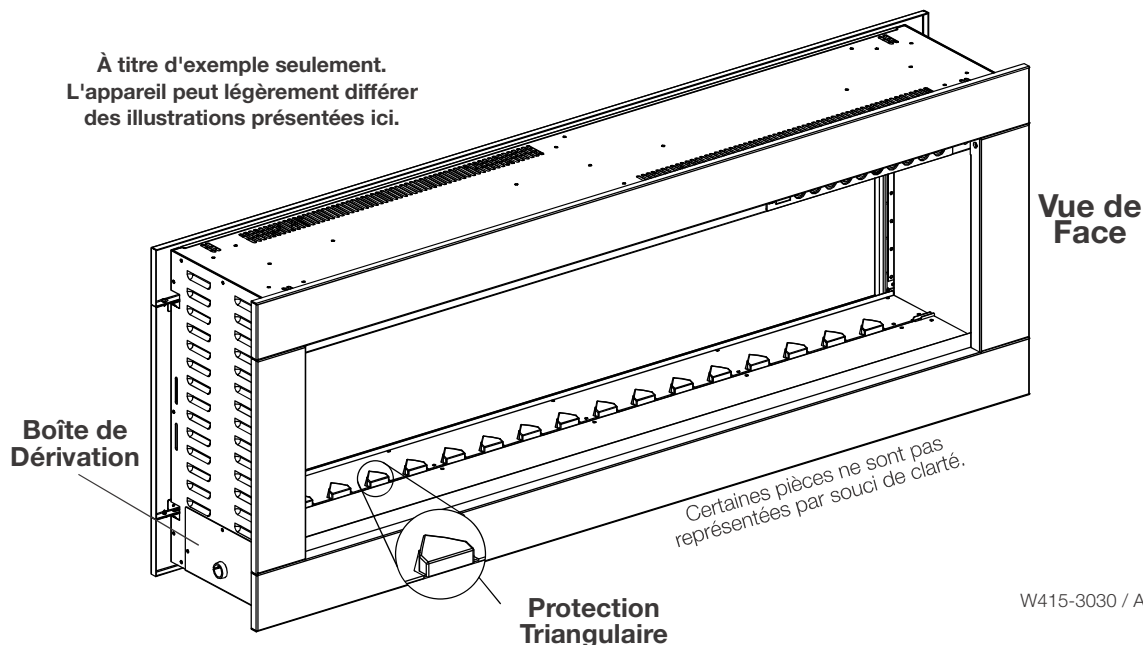
Suivre toutes les réglementations électriques locales et nationales.

2.1 emplacement de l'appareil

! AVERTISSEMENT

- En raison des températures élevées qu'il produit, cet appareil électrique ne doit pas être placé dans une zone de passages fréquents. Maintenir toute matière combustible, tels que des meubles, des coussins, des draps, du papier, des habits, des rideaux et autres objets similaires à au moins 91,4 cm (36") de l'avant de l'appareil.
- Ne jamais placer cet appareil électrique dans une position où il pourrait tomber dans une baignoire ou un autre récipient d'eau.
- Porter des gants et des lunettes de protection pendant l'installation et la maintenance.
- Afin d'éviter tout contact avec un affaissement ou une partie détachée de l'isolant, l'appareil électrique ne doit pas être installé contre un pare-vapeur ou un isolant exposé. Une surchauffe localisée pourrait se produire, risquant d'entraîner un incendie.
- L'appareil électrique ne doit pas être exposé aux éléments (pluie, etc.).

Pour identifier la face avant de l'appareil, vérifier que la boîte de dérivation se situe sur le côté gauche de l'appareil et que les protections triangulaires se trouvent de l'autre côté du foyer (voir ci-dessous).



installation

FR

2.2 mise à la terre de l'appareil

! AVERTISSEMENT

- Cet appareil fonctionne avec une tension de 220 volts ou 240 volts.
- Il est **obligatoire** de recourir à une source d'alimentation équipotentielle ou mise à la terre.
- Cet appareil doit être connecté à un circuit dédié de 15 A. Il est **INTERDIT** d'utiliser une rallonge électrique.

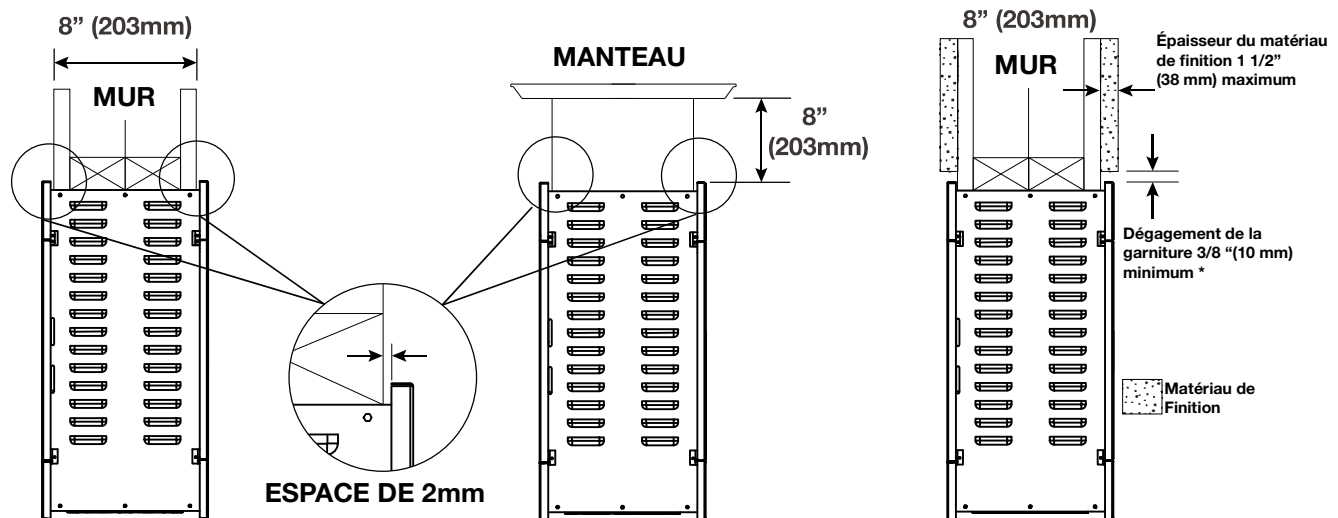
2.3 espace minimum requis pour les matériaux combustibles

Les mesures sont prises à partir du corps de l'écran frontal	
Bas	0 mm
Côtés	0 mm
Avant/Arrière	36" (914 mm)
Manteau de cheminée	8" (203 mm)

2.4 espace minimum requis pour le manteau

! AVERTISSEMENT

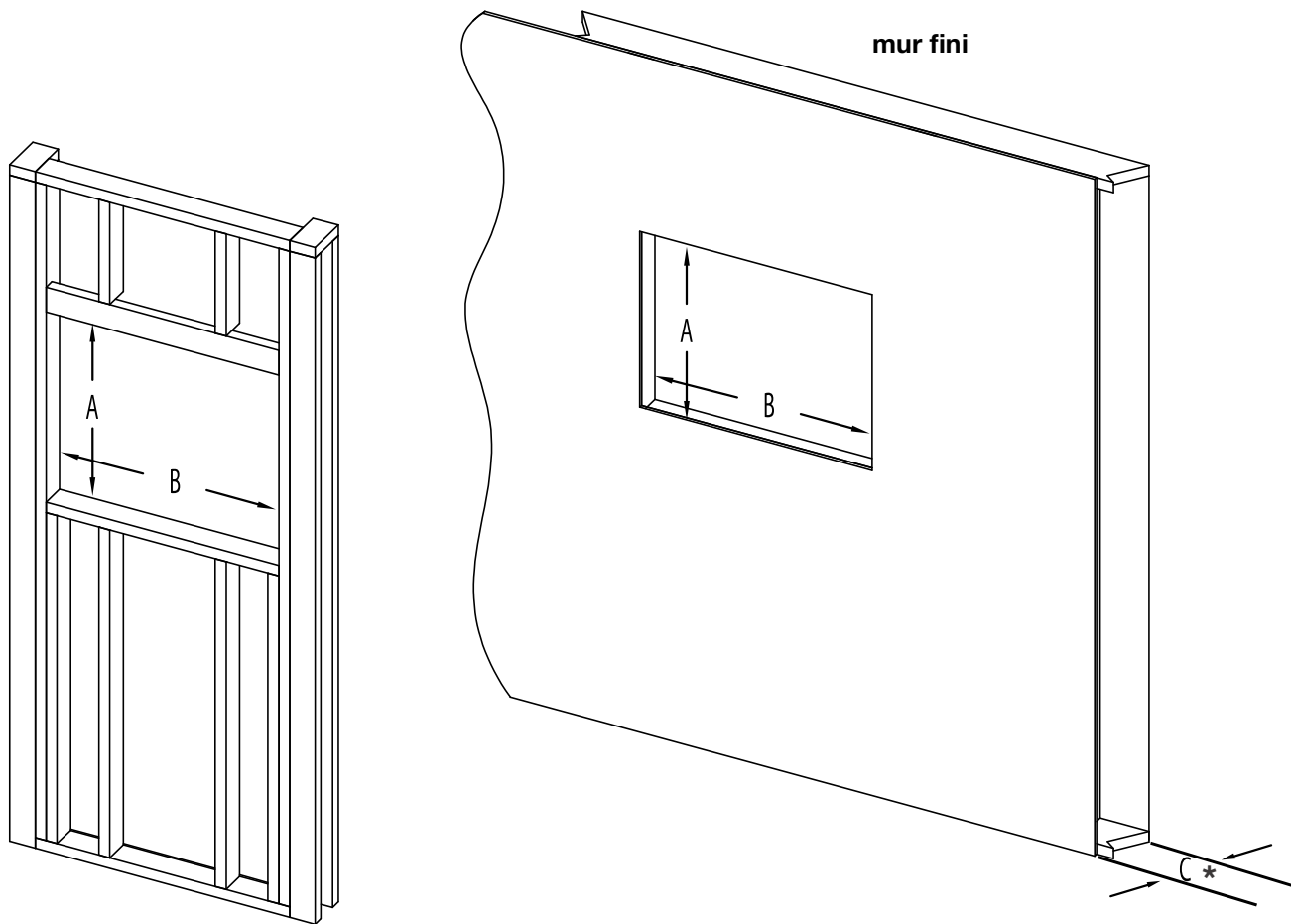
- En cas d'utilisation de peinture ou de laque pour les finitions du manteau, s'assurer que ces produits sont résistants à la chaleur afin d'éviter une décoloration.



Remarque :

* Si des matériaux de finition sont installés en plus de la paroi de 203 mm (8"), un espace de 10 mm (3/8") doit être conservé au sommet de l'écran pour permettre l'entretien de l'appareil.

2.5 cadre



A	17 15/16" (456mm)
B	49" (1245mm)
C	8" (203mm) max.
	4 1/2" (114mm) ** min

Important :

* Cette mesure tient compte de l'épaisseur des matériaux de finition.

** Écran de finition profond disponible pour cette épaisseur de mur (voir la section « Accessoires »).

installation

FR

2.6 installation de l'appareil

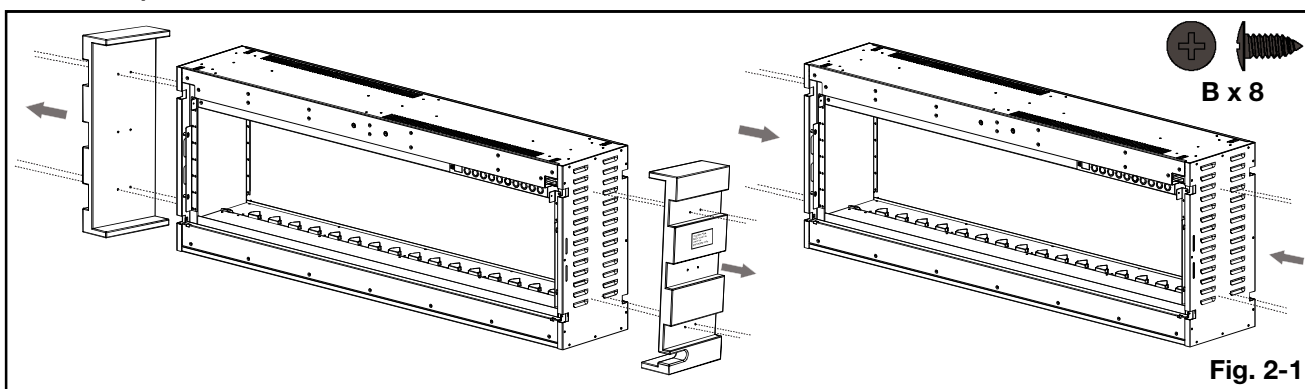
Remarque :

Il est recommandé que les cloisons de l'espace où est encastré l'appareil soient achevées et couvertes (placoplâtre) afin d'éviter que l'isolant ou le pare-vapeur n'entre en contact avec l'appareil. L'espace minimum requis pour les matériaux combustibles est ainsi respecté.

L'utilisation de chevilles n'est pas requise pour la fixation dans un montant.

L'utilisation d'un embout de tournevis aimanté est recommandée pour l'installation afin d'éviter que des vis ne tombent dans l'appareil.

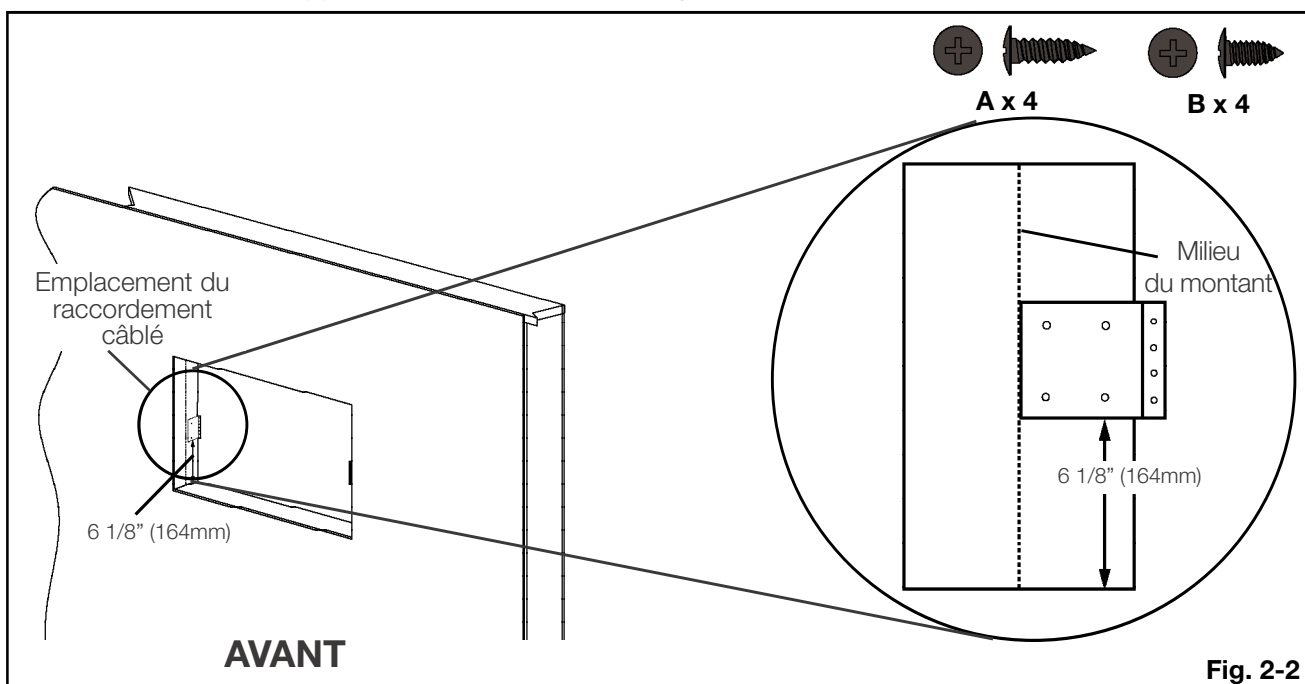
- A. Construire une ouverture (voir la section « Cadre » pour en savoir plus).
- B. Réaliser les raccordements câblés sur la gauche de la face avant désignée.
- C. Retirer les écrans frontaux de l'appareil (voir la section « Retrait/Installation de l'écran frontal »).
- D. Retirer la vitre avant de l'appareil (voir la section « Retrait/Installation de la vitre »).
- E. Retirer les deux extrémités des supports MDF de l'appareil en enlevant les vis. Jeter les deux panneaux MDF. Utiliser 4 vis neuves (fournies) de chaque côté pour remplir les trous de fixation des panneaux MDF (**Fig. 2-1**).



Remarque :

L'installation nécessite 2 supports de fixation situés dans des coins opposés. En regardant le montant depuis le centre de l'ouverture, les supports doivent dépasser sur la droite (**Fig. 2-2**).

- F. Marquer le milieu de la tranche de l'ouverture murale sur le montant vertical et installer les supports de fixation en alignant le côté du support avec la marque centrale. Mesurer une distance de 164 mm (6 1/8") entre le bas du support et le bas de l'ouverture (**Fig. 2-2**).



- G.** Marquer l'emplacement des trous du support de fixation. Vérifier que les marques des trous se trouvent sur les côtés opposés, car les supports ne peuvent pas être fixés du même côté (**Fig. 2-3**).

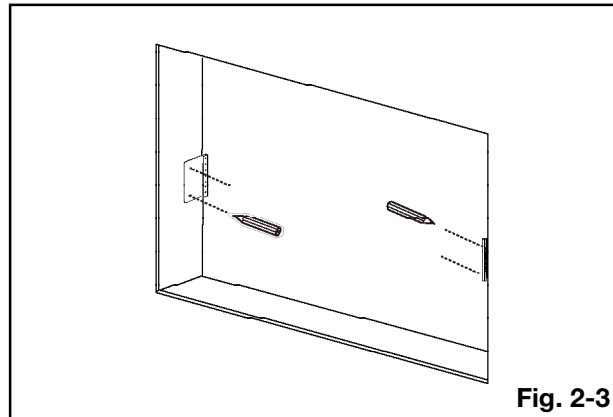
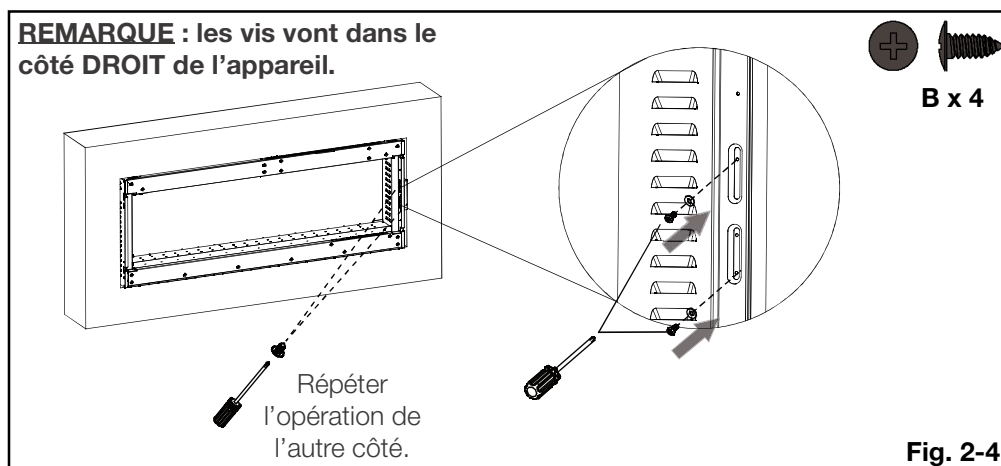


Fig. 2-3

- H.** Percer les trous et fixer les supports à l'aide de vis (fournies).
- I.** Placer l'appareil dans l'ouverture et le positionner de sorte que les raccordements câblés puissent être effectués (voir la section « Raccordement câblé »).
- J.** Placer l'appareil entier dans l'ouverture et le positionner contre les supports de fixation. Aligner les trous de fixation du support avec les fentes situées sur le côté de l'appareil, puis visser à travers les fentes pour fixer l'appareil sur les supports. Répéter l'opération de l'autre côté (**Fig. 2-4**).



- K.** Installer les décorations (voir la section « Installation des décorations »).
- L.** Replacer la vitre et l'écran frontal (voir les sections « Retrait/Installation de la vitre » et « Retrait/Installation de l'écran frontal »).

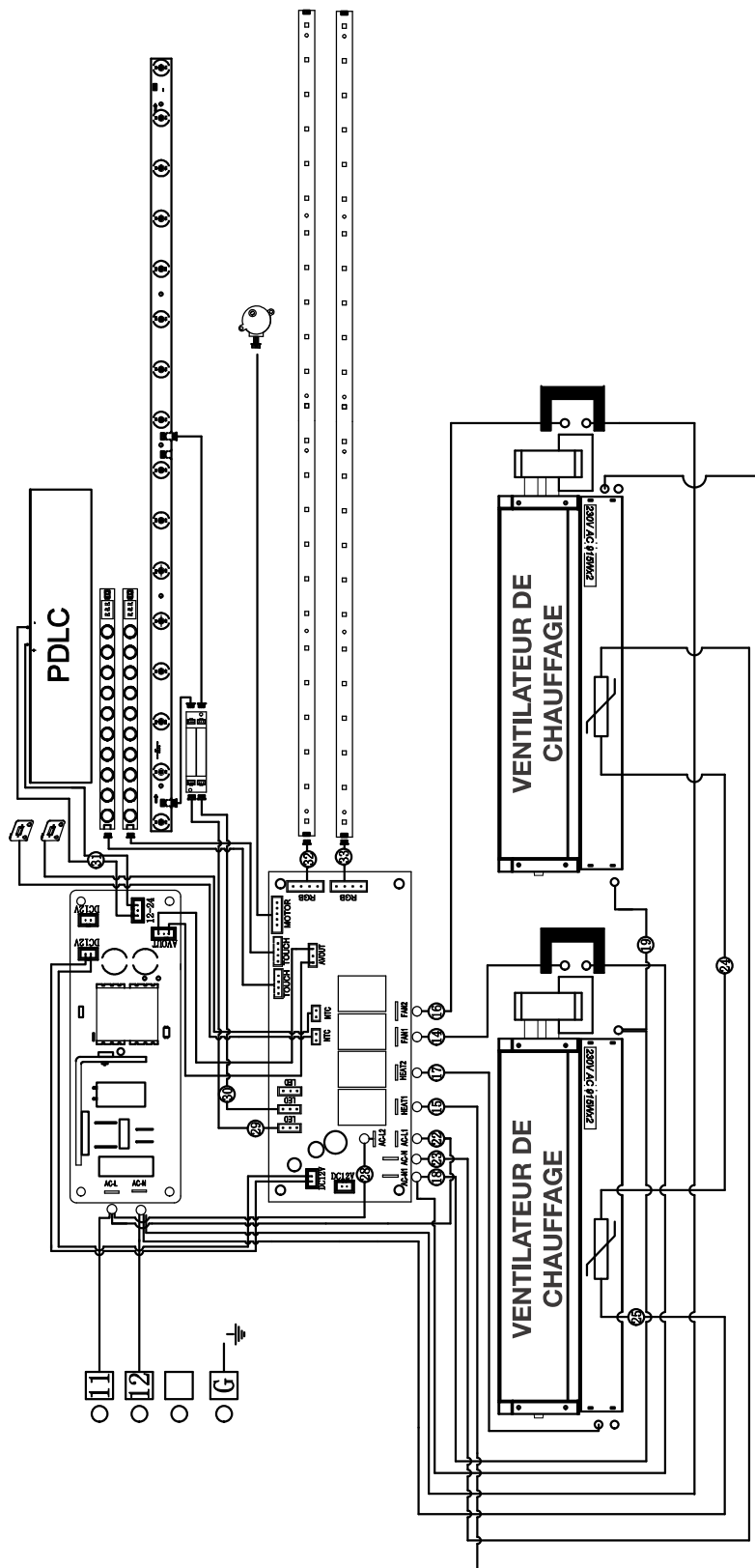
3.0 caractéristiques électriques

FR

3.1 schéma de câblage

! AVERTISSEMENT

- Avant tout entretien, éteindre l'appareil et attendre qu'il refroidisse. L'entretien et la réparation de cet appareil électrique ne doivent être effectués que par un professionnel.



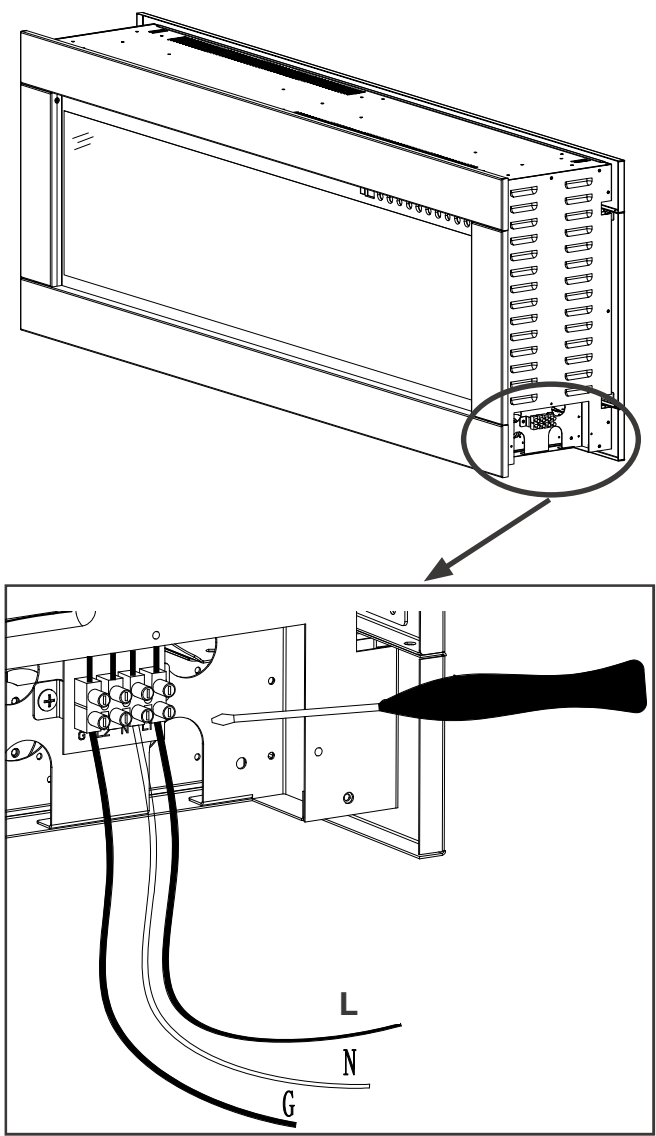
3.2 installation du raccordement câblé

⚠ AVERTISSEMENT

- Coupez l'alimentation électrique à l'appareil et laissez-le refroidir avant d'effectuer un entretien. Seulement un technicien de service qualifié peut effectuer l'entretien ou la réparation de cet appareil électrique.

Installation du raccordement câblé

Cet appareil doit être raccordé par un câble. Un électricien qualifié doit raccorder l'appareil directement au circuit électrique domestique.



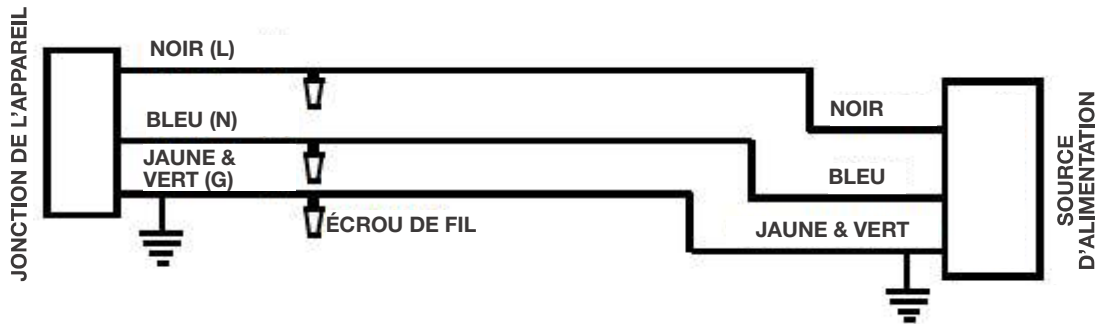
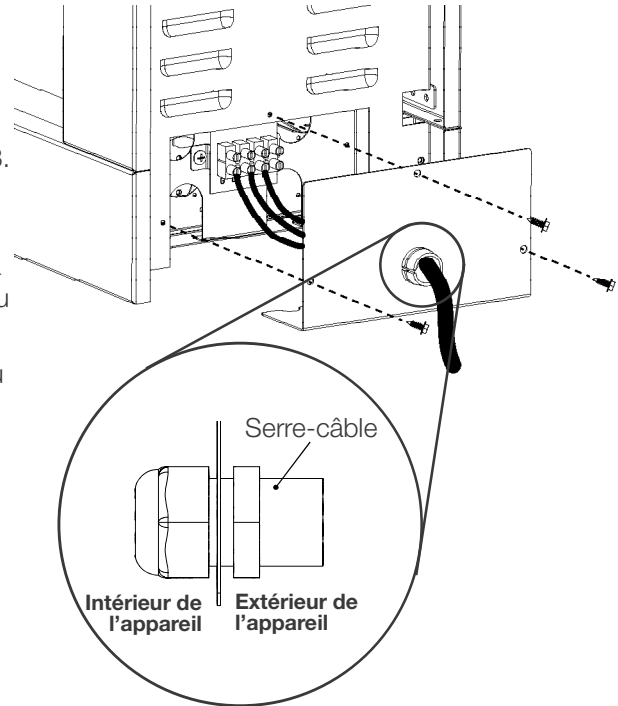
Raccordement câblé

caractéristiques électriques

FR

3.3 raccordement câblé

- A. Retirer la plaque de recouvrement en enlevant les 3 vis. Mettre les vis de côté.
- B. Ajouter un serre-câble et faire passer les fils d'alimentation par l'ouverture de 22 mm (7/8") à partir du bornier. Utiliser au minimum un fil 14AWG/3.
- C. Desserrer les vis de fixation du bornier pour le fil jaune et vert (G). Insérer le fil jaune et vert (G) ou le fil de cuivre dénudé de l'alimentation électrique dans la fente prévue (G) du bornier. Fixer en serrant les vis au niveau des fentes (G).
- D. Desserrer les vis de fixation du bornier pour le fil bleu (N). Insérer le fil bleu (N) de l'alimentation électrique dans la fente prévue (N) du bornier. Fixer en serrant les vis au niveau des fentes (N).
- E. Desserrer les vis de fixation du bornier pour le fil noir (L). Insérer le fil noir (L) de l'alimentation électrique dans la fente prévue (L) du bornier. Fixer en serrant les vis au niveau des fentes (L).
- F. Remettre la plaque en place.



Remarque :

Laisser une longueur de câble suffisante pour qu'il soit possible de retirer l'appareil de son enceinte afin d'accéder aux raccordements câblés.

Si les raccordements ne sont pas effectués correctement, l'appareil ne fonctionnera pas et émettra un signal sonore (c.-à-d. un bip).

4.1 retrait/installation de l'écran frontal

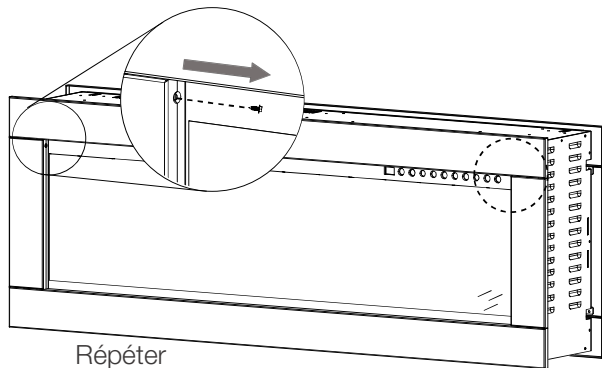
⚠ AVERTISSEMENT

- Avant de retirer ou d'installer l'écran frontal ou la vitre, débrancher l'appareil et attendre qu'il soit froid au toucher.
- L'écran est lourd et fragile. Manipuler avec précaution.

Remarque :

Les étapes de retrait/installation sont identiques pour les deux côtés de l'appareil (c.-à-d. avant et arrière).

- Retirer les 2 vis qui maintiennent l'écran frontal en place (**Fig. 4-1**). Mettre les vis de côté.
- Se mettre à 2 personnes pour soulever l'écran frontal et le retirer des crochets situés dans le foyer (**Fig 4-2**). Le placer à plat sur une surface douce et non abrasive.
- Suivre ces étapes dans le sens inverse pour installer l'écran.



Répéter
l'opération de
l'autre côté.

Fig. 4-1

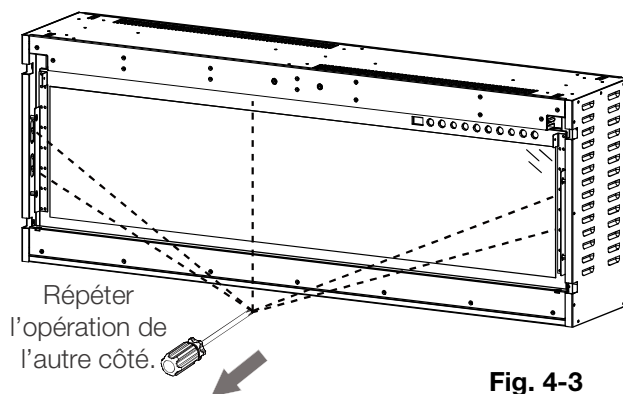


Répéter
l'opération de
l'autre côté.

Fig. 4-2

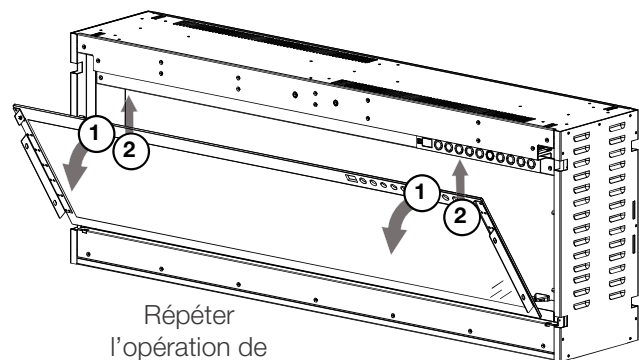
4.2 retrait/installation de la vitre

- Retirer les 5 vis qui maintiennent la vitre en place (**Fig. 4-3**).
- Se mettre à 2 personnes pour soulever la vitre et la retirer des parois latérales (**Fig. 4-4**). La placer à plat sur une surface douce et non abrasive.
- Suivre ces étapes dans le sens inverse pour installer la vitre.



Répéter
l'opération de
l'autre côté.

Fig. 4-3



Répéter
l'opération de
l'autre côté.

Fig. 4-4

4.3 installation des décorations

Il existe deux options de décoration pour cet appareil : pierres de rivière et bois flotté, ou galets blancs. Voir les informations ci-dessous pour l'installation.

4.3.1 installation des pierres de rivière et du bois flotté

La vitre avant doit être retirée et l'appareil doit être fixé à son emplacement définitif avant l'installation des pierres de rivière et du bois flotté.

1. Placer délicatement les pierres de rivière dans le bac du foyer, à l'avant et à l'arrière de l'appareil.
2. Les répartir uniformément sur toute la longueur.
3. Placer les morceaux de bois flotté au-dessus des pierres de rivière, comme indiqué sur l'illustration (**Fig. 4-5**).

Remarque :

Ne PAS couvrir les protections triangulaires de la face arrière de l'appareil. Recouvrir ces protections avec des décorations entraîne une modification de l'apparence de la flamme (**Fig. 4-6**).



Fig. 4-5

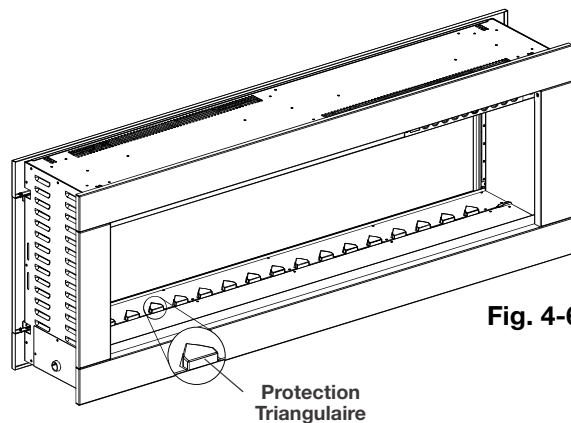


Fig. 4-6

4.3.2 installation des galets blancs

La vitre avant doit être retirée et l'appareil doit être installé à son emplacement définitif avant d'installer les galets blancs.

1. Placer délicatement les galets blancs dans le bac du foyer, à l'avant et à l'arrière de l'appareil.
2. Les répartir uniformément sur toute la longueur (**Fig. 4-7**).

Remarque :

Ne PAS couvrir les protections triangulaires de la face arrière de l'appareil. Recouvrir ces protections avec des décorations entraîne une modification de l'apparence de la flamme (**Fig. 4-6**).



Fig. 4-7

! AVERTISSEMENT

- Ne pas retirer l'écran pendant que l'appareil est en marche. Une telle action entraînera le dysfonctionnement de la télécommande et du panneau tactile.

Une fois raccordé à une source d'alimentation dédiée de 220-240 V, l'appareil est prêt à fonctionner.

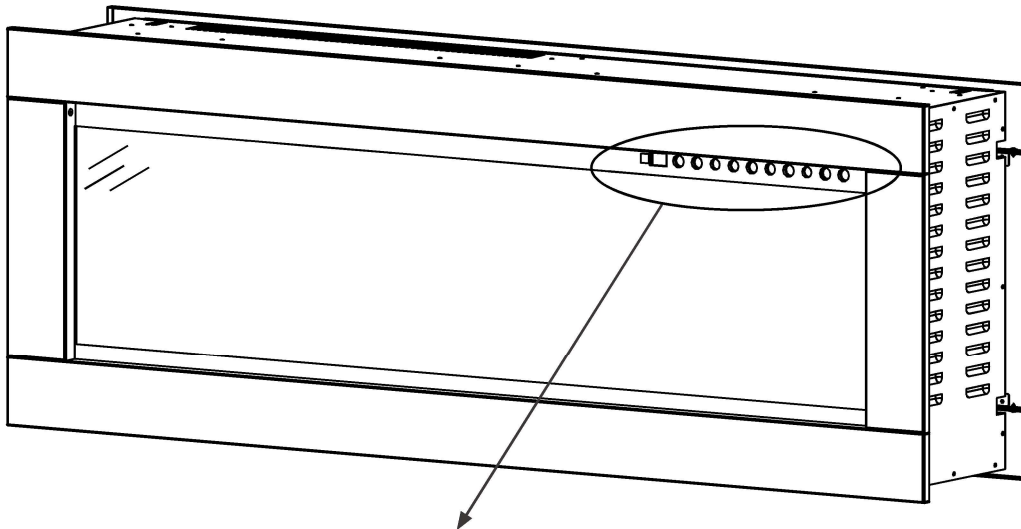
Remarque :

Il est nécessaire de s'assurer que les disjoncteurs d'alimentation du domicile sont en marche (vers le haut). En cas de coupure d'électricité, l'appareil perdra sa fonction mémoire et se réinitialisera selon les paramètres d'origine une fois le courant rétabli.

5.1 interrupteur principal

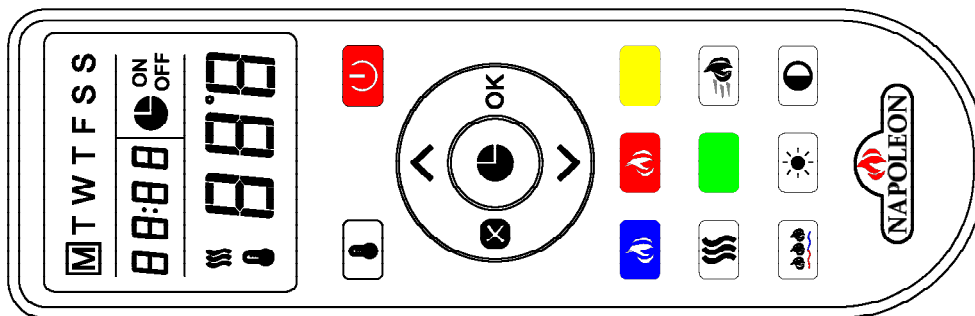
L'interrupteur principal est situé dans le coin supérieur droit du panneau en verre.

5.2 utilisation du panneau tactile et de la télécommande



Panneau tactile

À titre d'exemple seulement. L'apparence du panneau tactile peut différer de celle représentée sur les illustrations.



Télécommande

note:

Les boutons sans icônes doivent être considérés comme des boutons sans aucune fonction.

mode d'emploi






FR

Remarque :






Lorsque seul le **chauffage** est en marche (c.-à-d. aucune flamme, aucune lumière, etc.), la fenêtre d'affichage est faiblement éclairée et affiche H1 ou la température définie.

Lorsque seule la **soufflerie** est en marche, (c.-à-d. aucune flamme, aucune lumière, etc.), la fenêtre d'affichage est faiblement éclairée et affiche FAN (soufflerie).

Après l'extinction du chauffage, le ventilateur continue de tourner pendant 10 secondes afin d'évacuer la chaleur de l'appareil et de faire diminuer la température.

Alimentation		Allume et éteint l'appareil.
Commande du vitrage opacifiant		Contrôle le vitrage opacifiant Modes : G-1 - Mode semi-transparent (par défaut) G-2 - Mode transparent G-0 - Mode opaque Maintenir le bouton appuyé pendant 5 secondes pour verrouiller/déverrouiller le vitrage opacifiant au statut G-0. Lorsqu'il est déverrouillé, l'appareil revient au mode G-1 (par défaut).
Flamme orange		Contrôle l'intensité lumineuse de la flamme orange. Modes : OF4 - Intensité maximale de la flamme OF3 - Intensité forte de la flamme OF2 - Intensité faible de la flamme OF1 - Intensité minimale de la flamme OF0 - Flamme éteinte
Flamme bleue		Contrôle l'intensité lumineuse de la flamme bleue. Modes : BF4 - Intensité maximale de la flamme BF3 - Intensité forte de la flamme BF2 - Intensité faible de la flamme BF1 - Intensité minimale de la flamme BF0 - Flamme éteinte
Intensité lumineuse du lit de braises		Contrôle l'intensité lumineuse du lit de braises. REMARQUE : si la couleur du lit de braise est définie sur L16, son intensité lumineuse ne peut pas être modifiée. Modes : B-5 - Augmentation et diminution graduelles B-4 - Intensité maximale B-3 - Intensité forte B-2 - Intensité faible B-1 - Intensité minimale B-0 - Éteint





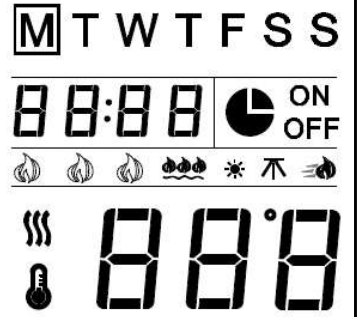
Suite à la page suivante →

<p>Couleur du lit de braises</p>		<p>Contrôle la lumière du lit de braises.</p> <p>REMARQUE : l'intensité lumineuse du lit de braises doit être définie entre B-4 et B-1 pour pouvoir en modifier la couleur.</p> <p>Modes : L01 - Orange L02 - Rouge L03 - Bleu L04 - Jaune L05 - Vert L06 - Violet L07 - Bleu ciel L08 - Violet rouge L09 - Blanc L10 - Rose L11 - Jaune vert L12 - Bleu glacier L13 - Orange rouge L14 - Vert clair L15 - Magenta L16 - Alternance automatique L17 - Verrouillage d'une couleur pendant le cycle L16</p>
<p>Vitesse de la flamme</p>		<p>Contrôle la vitesse de la flamme.</p> <p>Modes : S-3, S-4, S-5, S-1, S-2</p>
<p>Chauffage</p>		<p>Allume/éteint le chauffage et la soufflerie.</p> <p>Modes : H-0 - Chauffage et soufflerie éteints FAN - Soufflerie allumée H-1 - Chauffage allumé (1 000 W de chaque côté) LOC - Verrouillage du chauffage et du thermostat</p> <p>REMARQUE : maintenir le bouton du chauffage appuyé pendant 5 secondes pour verrouiller/déverrouiller le chauffage et le thermostat.</p> <p>REMARQUE : chaque côté de l'appareil possède une commande indépendante pour le chauffage.</p>
<p>Programmeur</p>		<p>Programme la minuterie.</p> <p>Modes : 30M (30 min), 1Hr (1 h), 2Hr (2 h), 3Hr (3 h), 4Hr (4 h), 5Hr (5 h), 6Hr (6 h), 7Hr (7 h), 8Hr (8 h).</p> <p>REMARQUE : la fenêtre affiche « --- » une fois les 9 modes de minuterie terminés.</p>
<p>Commande de température</p>		<p>Règle la température désirée.</p> <p>Modes : 18 °C (64 °F), 19 °C (66 °F), 20 °C (68 °F), 21 °C (70 °F), 22 °C (72 °F), 23 °C (74 °F), 24 °C (76 °F), 25 °C (78 °F), 26 °C (80 °F), 27 °C (82 °F) et OFF.s</p> <p>Pour passer de °C à °F et inversement, maintenir le bouton de commande de la température appuyé pendant 5 secondes.</p>





mode d'emploi

FR



5.3 timer settings on remote control

 Programmateur: Affiche le jour, l'heure et la semaine. Appuyer pour régler ou confirmer les paramètres du programmateur.		
OK Réglages: Appuyer pour passer à l'étape suivante (à utiliser avec le bouton Programmateur). Appuyer pour confirmer la programmation hebdomadaire.		
 Retour: Appuyer pour effacer les réglages du programmateur. Appuyer pour revenir à l'étape précédente (à utiliser avec le bouton Réglages).		
 Haut et Bas: À utiliser avec le bouton Réglages.		
Écran LCD		
Jour de la Semaine: _____ Mon. (lundi), Tues. (mardi), Wed. (mercredi), Thurs. (jeudi), Fri. (vendredi), Sat. (samedi), Sun. (dimanche)		Remarque: Ces fonctionnalités ne peuvent être modifiées que lorsque les lettres ou chiffres correspondants clignotent. Remarque: Définir le programmateur sur l'heure actuelle avant de modifier les réglages hebdomadaires.
Affichage de l'Heure: _____		
Heure/programmateur de 00:00 à 24:00 Remarque: 00-12:00 représente le matin / 13:00 - 24:00 représente l'après-midi/le soir.		



5.3.1 réglage de la date et l'heure

1. Appuyer une fois sur . Lorsque « MON » (lundi) se met à clignoter, utiliser  pour sélectionner le jour actuel. Appuyer sur OK pour confirmer.
2. Lorsque les chiffres de l'heure se mettent à clignoter, utiliser  pour sélectionner l'heure actuelle. Appuyer sur OK pour confirmer.
3. Lorsque les chiffres des minutes se mettent à clignoter, utiliser  pour sélectionner les minutes actuelles. Appuyer sur OK pour confirmer.

5.3.2 réglage des temps d'allumage et de la température par cycle hebdomadaire



1. Appuyer une fois sur . Lorsque « MON » (lundi) se met à clignoter, utiliser  pour sélectionner le jour actuel. Appuyer sur OK pour confirmer.

Remarque :
 Le programmateur ne peut être réglé que par intervalles de 30 minutes (ex. : 00h00 - 00h30, 00h30 - 01h00, etc.).

2. Lorsque --:-- se met à clignoter, utiliser  pour sélectionner l'heure à laquelle allumer le chauffage. Appuyer sur OK pour confirmer. Appuyer à tout moment sur  pour effacer les chiffres et désactiver le mode « ON » du programmateur.

3. Lorsque « 18 » se met à clignoter, utiliser  pour sélectionner la température à laquelle allumer le chauffage le lundi.

Remarque :
 Si la température a déjà été configurée, les chiffres correspondants s'afficheront à la place de « 18 ».

4. Lorsque --:-- se met à clignoter, utiliser  pour sélectionner l'heure à laquelle éteindre le chauffage. Appuyer sur OK pour confirmer. Appuyer à tout moment sur  pour effacer les chiffres et désactiver le mode « OFF » du programmateur.

5. Répéter les étapes 1 à 4 pour régler les temps de marche/arrêt (« ON/OFF ») et la température pour le mardi, mercredi, jeudi, vendredi, samedi et dimanche.
6. Appuyer sur OK pour valider la programmation, en pointant la télécommande sur le récepteur situé au centre de l'appareil. L'appareil émet un « bip » pour confirmer que la programmation a bien été enregistrée.

5.4 détection de fenêtre ouverte

Si la température de la pièce baisse de 10 degrés en l'espace de 3 minutes, l'appareil considère qu'une fenêtre est ouverte à proximité. Afin d'économiser de l'énergie, le chauffage passe automatiquement d'une chaleur élevée à une chaleur basse, ou bien s'éteint s'il est déjà réglé sur une chaleur basse.

Lorsqu'il passe du réglage High Heat (chaleur élevée) à Low Heat (chaleur basse), l'appareil émet 3 bips et le message « 88 » clignote trois fois sur l'écran numérique avant que le nouveau réglage du chauffage s'affiche.

Lorsqu'il est réglé sur une chaleur basse et qu'il s'éteint, l'appareil émet 3 bips et le message « 88 » clignote en continu sur l'écran numérique.

Pour réinitialiser la fonction de chauffage, consulter la section « Utilisation de la télécommande ».

6.0 entretien

FR

6.1 nettoyage

AVERTISSEMENT

- Toujours éteindre le chauffage et débrancher le câble d'alimentation avant de nettoyer, entretenir ou déplacer l'appareil. Le non-respect de ces instructions peut entraîner une électrocution, un incendie ou des dommages corporels.
- Ne jamais immerger dans l'eau ou asperger avec de l'eau. Le non-respect de ces instructions peut entraîner une électrocution, un incendie ou des dommages corporels.

Métal :

- Polir à l'aide d'un chiffon doux, légèrement imprégné d'un produit à base d'essence d'agrumes.
- Ne pas utiliser de produits de polissage pour laiton ou de nettoyage domestiques, car ils abîmeront le cadre métallique.

Verre :

- Utiliser un nettoyant de bonne qualité, pulvérisé sur un chiffon ou une serviette. Sécher complètement à l'aide d'une serviette en papier ou d'un chiffon non pelucheux.
- Ne jamais utiliser de nettoyants abrasifs, de liquides à pulvériser directement ou tout produit de nettoyage susceptible de rayer la surface.

Bouches d'aérations :

- Utiliser un aspirateur ou un plumeau pour retirer la poussière et la saleté du chauffage et des bouches d'aération.

Plastique :

- Essuyer délicatement à l'aide d'un chiffon légèrement imprégné d'une solution douce à base d'eau tiède et de liquide vaisselle.
- Ne jamais utiliser de nettoyants abrasifs, de liquides à pulvériser directement ou tout produit de nettoyage susceptible de rayer la surface.

AVERTISSEMENT

- Omettre de positionner les pièces conformément à ce manuel ou d'utiliser uniquement des pièces spécifiquement approuvées pour cet appareil peut causer des dommages matériels ou des blessures corporelles.

Contactez votre détaillant pour les questions concernant les prix et la disponibilité des pièces de remplacement. Normalement, toutes les pièces peuvent être commandées chez votre détaillant autorisé.

Pour un remplacement de pièce sous garantie, une photocopie de la facture originale sera requise afin de pouvoir honorer la demande.

Lorsque vous commandez des pièces, donnez toujours l'information suivante:

- Modèle et numéro de série de l'appareil
- Date d'installation de l'appareil
- Numéro de la pièce
- Description de la pièce
- Fini

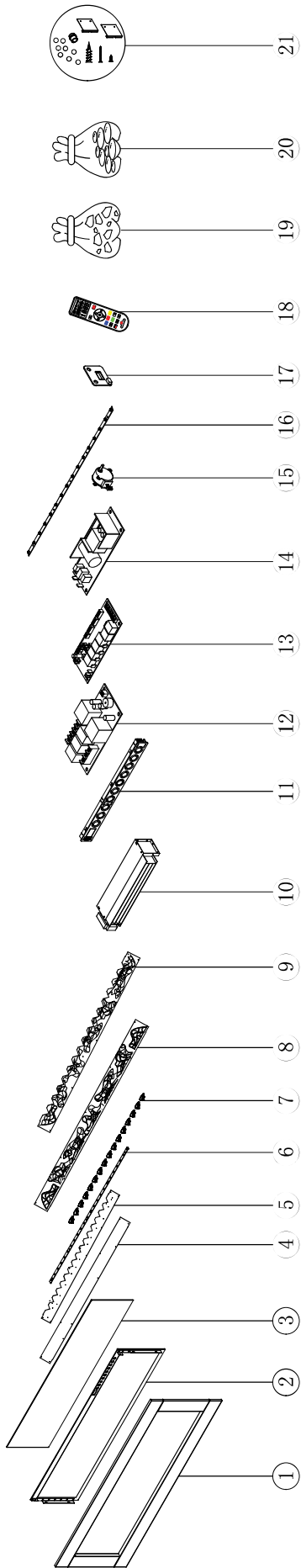
Pièces, numéro des pièces et s'il soit disponible peut changer sans préavis.

Parties identifiées comme garnie seront livrés dans 2 à 5 jours pour la plupart des destinations de livraison.

Pièces non identifiées que stockés seront livrés dans un délai de 2 à 4 semaines pour la plupart des cas.

Pièces identifiées comme « SO » sont commande spéciale et peuvent prendre jusqu'à 90 jours pour la livraison.

7.1 vue d'ensemble



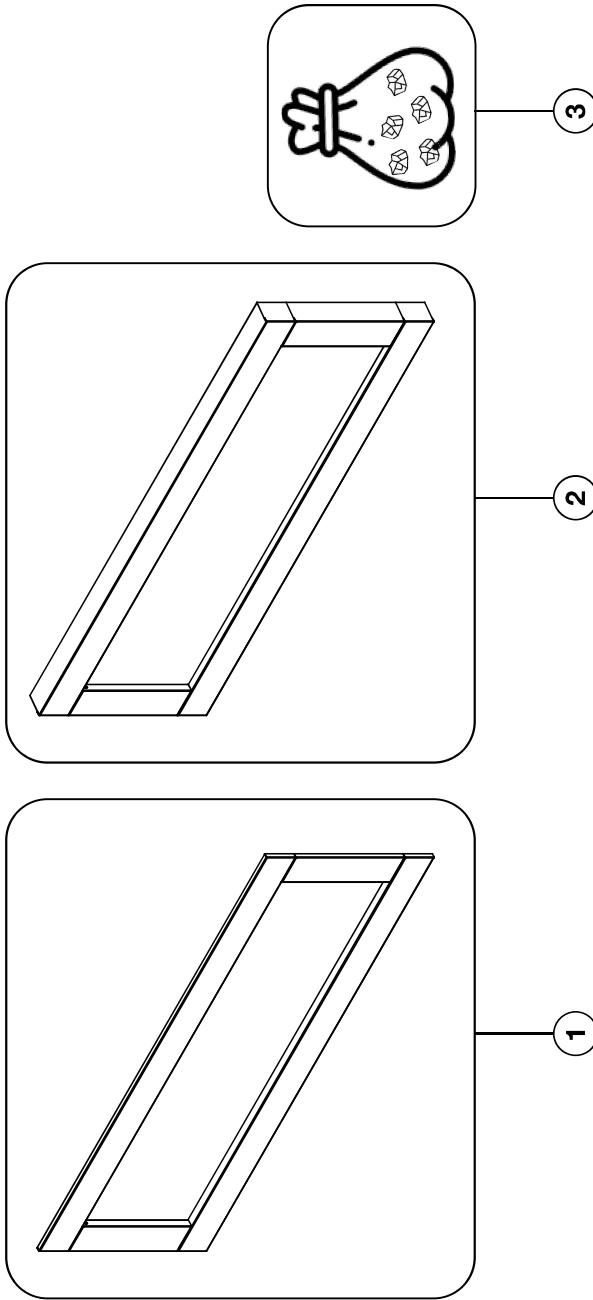
Ces articles peuvent différer de ceux illustrés.

Réf.	No. de Partie	Qté.	Description	En Stock	Réf.	No. de Partie	Qté.	Description	En Stock
1	W715-1227-SER	2	Garniture avant, noir	Oui	13	W190-0223	1	Planche PCB principale	Oui
2	W300-0313-SER	2	Verre avant	Oui	14	W190-0179-SER	1	Moteur pour verre intimité	Oui
3	W300-0314-SER	1	Verre intimité	Oui	15	W435-0090-SER	1	Moteur pas à pas	Oui
4	W497-1608-SER	1	Avant, plateau à média	Oui	16	W405-0083-SER	1	Lumière DEL pour flamme	Oui
5	W497-1609-SER	1	Arrière, plateau à média	Oui	17	W690-0021	2	Thermostat	Oui
6	W405-0085-SER	2	Bande de lumière DEL de lit de braise	Oui	18	W190-0224	2	Télécommande	Oui
7	W405-0084-SER	16	Protection triangulaire	Oui	19	W497-1634	2	Galets blancs	Oui
8	W135-0936-SER	1	Avant, ensemble de bûche	Oui	20	W497-1635	2	Roches de rivière	Oui
9	W135-0937-SER	1	Arrière, ensemble de bûche	Oui	21	W370-0191-SER	1	Ensemble de quincaillerie & support de montage	Oui
10	W010-5005	2	Assemblage de chauffage et ventilateur	Oui	22 **	W430-0023-SER	1	Boutons alimentés (x8)	Oui
11	W475-6144-SER	2	Panneau d'affichage tactile avec récepteur	Oui	23 *	W527-0042-SER	1	Réflecteur	Oui
12	W190-0180-SER	1	Planche de câblage PCB	Oui	24	W135-1023	2	Bûche de bois flotté n° 1	Oui
					25	W135-1024	2	Bûche de bois flotté n° 2	Oui
					26	W135-1025	2	Bûche de bois flotté n° 3	Oui
					27	W135-1026	2	Bûche de bois flotté n° 4	Oui
					28	W135-1027	2	Bûche de bois flotté n° 5	Oui

* Parties non illustrés.

** Ces boutons alimentés sont à des fins décoratives seulement. Ils doivent être placés dans les coins de la façade de l'appareil (voir la section « boutons alimentés » pour détails).

8.1 accessoires



Ces articles peuvent différer de ceux illustrés.

Réf.	No. de Pièce	Description	En Stock
1	NEFBD50HE-SS-TRIM	Garniture en acier inoxydable (x2)	Oui
2 *	NEFBD50HE-SS-DTRM	Garniture profonde en acier inoxydable (x2)	Oui
2 *	NEFBD50HE-DTRM	Garniture profonde noir (x2)	Oui
3 **	W497-0067-SER	Sac de cristaux, grand	Oui

* Pour utilisation avec les murs 4 1/2" (114mm) en épaisseur. Pour plus d'information, voir la section « ossature ».

** 5 cristaux par sac. Cet appareil nécessite 2 sacs.

9.0 guide de dépannage

FR

AVERTISSEMENT

- Avant tout entretien, éteindre l'appareil et attendre qu'il refroidisse. L'entretien et la réparation de cet appareil électrique ne doivent être effectués que par un professionnel.

Signe	Problème	Solution
L'appareil ne s'allume pas lorsque le bouton de mise en marche/ l'interrupteur est en position « CN ».	Le disjoncteur du domicile a sauté.	Réarmer le disjoncteur du domicile.
	Les raccordements câblés sont incorrects (le cas échéant).	Consulter la section « Installation de raccordements câblés ».
	L'appareil a surchauffé et l'interrupteur thermique de sécurité s'est déclenché.	Débrancher le câble d'alimentation ou éteindre le disjoncteur, laisser l'appareil refroidir pendant 15 minutes, puis brancher l'appareil ou allumer le disjoncteur.
L'appareil s'éteint et ne se rallume pas.	Le disjoncteur du domicile a sauté.	Réarmer le disjoncteur du domicile.
	Le fusible de l'appareil a sauté.	Remplacer le fusible.
	L'appareil a surchauffé et l'interrupteur thermique de sécurité s'est déclenché.	Débrancher le câble d'alimentation ou éteindre le disjoncteur, laisser l'appareil refroidir pendant 15 minutes pour réinitialiser l'interrupteur thermique, puis brancher l'appareil ou allumer le disjoncteur.
L'appareil s'est réinitialisé sur les réglages par défaut.	Panne de courant.	Reprogrammer les réglages de l'appareil (ne s'applique pas à tous les appareils).
La télécommande ne fonctionne pas.	Piles déchargées/usagées.	Remplacer les piles de la télécommande.
	Défaillance du récepteur de télécommande.	Vérifier que rien n'obstrue le récepteur de la télécommande. Remplacer le panneau de commande.
L'appareil ne produit pas d'air chaud.	Le réglage du chauffage n'est pas sélectionné.	Consulter la section « Mode d'emploi ».
	Le chauffage a été verrouillé.	Consulter la section « Mode d'emploi ».
	La température de la pièce est plus élevée que le réglage de l'appareil (s'il est réglé sur la température ambiante).	Réinitialiser le réglage de température.
	L'appareil a surchauffé et l'interrupteur thermique de sécurité s'est déclenché.	Débrancher le câble d'alimentation ou éteindre le disjoncteur. Laisser l'appareil refroidir pendant 15 minutes.
	Les raccordements câblés sont incorrects (le cas échéant).	Consultez la section « Installation de raccordements câblés ».
	Problème de chauffage.	Inspecter la soufflerie et le chauffage, et remplacer si nécessaire.
Le chauffage s'éteint automatiquement.	La température de la pièce est trop élevée.	Le chauffage possède un thermostat intégré, il s'éteint donc automatiquement une fois la température pré-réglée atteinte. Il se met également en marche automatiquement si la température de la pièce descend en dessous de la température pré-réglée.
Flamme faible ou inexistante.	L'intensité lumineuse de la flamme n'est pas sélectionnée.	Consulter la section « Mode d'emploi ».
	Problème de l'éclairage LED de la flamme.	Inspecter la lampe LED et remplacer si nécessaire.
	Problème au niveau du circuit imprimé principal.	Inspecter le circuit imprimé principal et remplacer si nécessaire.
La flamme bouge pas.	Le moteur est bloqué/défaillant.	Éteindre et rallumer plusieurs fois. Si le problème persiste, contacter le détaillant.
Le lit de braises ne s'illumine pas.	L'intensité lumineuse n'est pas sélectionnée.	Consulter la section « Mode d'emploi ».
	Problème de l'éclairage LED des braises.	Inspecter les lampes LED du lit de braises et remplacer si nécessaire.
	Problème au niveau du circuit imprimé principal.	Inspecter le circuit imprimé principal et remplacer si nécessaire.

Les appareils électriques Napoleon sont fabriqués dans le respect de la norme mondialement reconnue ISO 9001:2015 sur les systèmes de gestion de la qualité.

Les produits Napoleon sont fabriqués à partir de composants et de matériaux de qualité supérieure. Ils sont assemblés par des artisans expérimentés, qui sont fiers de leur travail. Une fois assemblé et avant d'être emballé, l'appareil est minutieusement inspecté par un installateur, une agence de service ou un fournisseur qualifié(e) et agréé(e) pour s'assurer que le client reçoive le niveau de qualité qu'il attendait de la part de son produit **Napoleon**.

Garantie limitée des appareils électriques Napoleon

Les composants électriques et les pièces d'usure sont couverts : **Napoleon** fournira gratuitement les pièces de rechange au cours des 2 premières années de la garantie limitée. Cela s'applique aux : ventilateurs/éléments chauffants, moteurs, interrupteurs, composants de nylon, télécommandes et lampes LED.*

Les ampoules et les fusibles **NE SONT PAS** couverts par la garantie.

Toute main-d'œuvre liée à une réparation sous garantie n'est pas couverte.

* La fabrication des modèles varie. La garantie ne s'applique qu'aux composants inclus dans votre appareil spécifique.

Conditions et restrictions

Napoleon garantit ses produits contre tout défaut de fabrication uniquement à son client d'origine. Il n'est pas nécessaire d'enregistrer votre garantie. Il vous suffit de fournir une preuve d'achat, ainsi que le modèle et le numéro de série pour faire une réclamation sous garantie. Si l'achat a été effectué auprès d'un détaillant **Napoleon** agréé, votre appareil est soumis aux conditions et restrictions suivantes :

La couverture de la garantie commence à la date de la première installation.

Cette garantie constructeur n'est pas cessible et ne peut pas être prolongée, de quelque manière que ce soit, par l'un de nos représentants.

L'installation doit être réalisée conformément aux instructions d'installation fournies avec le produit, ainsi qu'à tous les codes régionaux et nationaux de construction et des incendies.

Cette garantie limitée ne couvre pas les dommages résultant d'une mauvaise utilisation, d'un manque d'entretien, d'un accident, d'altérations, d'abus ou de négligence. Si des pièces sont installées par d'autres fabricants, cette garantie devient nulle.

Cette garantie limitée ne couvre pas non plus les rayures, les bosselures, la corrosion ou la décoloration résultant d'une chaleur excessive, de nettoyants chimiques et abrasifs, ni les éclats sur les pièces en émail vitrifié ou toute faille mécanique des bûches PHAZER™.

Au cours des deux premières années seulement, cette garantie s'étend à la réparation ou au remplacement de pièces sous garantie qui s'avèrent être défectueuses en termes de matériaux ou de fabrication, sous réserve que le produit ait été utilisé conformément aux instructions d'utilisation et dans des conditions normales.

Napoleon n'est pas responsable de l'installation, de la main-d'œuvre ou de toute autre dépense liée à la réinstallation d'une pièce sous garantie. De telles dépenses ne sont pas couvertes par la garantie. Nonobstant toute disposition prévue dans la garantie limitée, la responsabilité de **Napoleon** au titre de cette garantie est définie comme ci-dessus, et elle ne peut s'appliquer en aucune façon à des dommages accessoires, immatériels ou indirects.

Cette garantie définit les obligations et la responsabilité de **Napoleon** à l'égard de l'appareil électrique **Napoleon** et de toute autre garantie formelle ou tacite vis-à-vis de ce produit ; ses composants ou accessoires sont exclus.

Napoleon n'assume aucune autre obligation et n'autorise aucun tiers à assumer d'autres obligations en son nom au titre de la vente de ce produit.

Tout dégât causé à l'appareil, à la garniture en laiton ou à d'autres composants par de l'eau, des intempéries, de longues périodes d'humidité, de la condensation, des produits chimiques ou des nettoyants n'est pas de la responsabilité de **Napoleon**.

Napoleon se réserve le droit de demander à l'un de ses représentants d'inspecter un produit ou une pièce du produit avant d'honorer une demande de garantie.

Toutes les pièces remplacées sous la politique de garantie limitée doivent faire l'objet d'une seule réclamation.

Toutes les pièces remplacées sous la garantie sont couvertes pendant 90 jours à compter de la date de leur installation.

Le fabricant peut exiger que les pièces ou les produits défectueux soient renvoyés, ou que des photos numériques soient fournies lors de la réclamation. Les produits retournés doivent être expédiés port payé au fabricant pour enquête. S'il s'avère qu'un produit est défectueux, le fabricant assurera la réparation ou le remplacement du produit.

Avant d'expédier votre appareil ou ses composants défectueux, votre détaillant doit obtenir un numéro d'autorisation. Toute marchandise expédiée sans autorisation sera refusée et retournée à l'expéditeur.

Les frais de livraison ne sont pas couverts par cette garantie.

Des frais de service supplémentaires peuvent s'appliquer si vous utilisez le service de garantie d'un détaillant.

Toutes les caractéristiques et les designs peuvent varier sans préavis en raison d'améliorations continues des produits. **Napoleon** est une marque déposée de Wolf Steel Ltd.

NAPOLÉON EST FIER D'AMÉLIORER LE CONFORT DE VOTRE MAISON DEPUIS PLUS DE 40 ANS



WEEE :



Signification du logo de poubelle barrée:

Ne pas jeter les appareils électriques dans les ordures ménagères non sujettes au tri sélectif. Utiliser des points de collecte adaptés. Contacter la collectivité locale pour connaître les modalités de tri sélectif. Si les appareils électriques sont jetés dans une décharge non surveillée, des substances toxiques peuvent s'infiltrer dans le sol, atteindre les nappes phréatiques et contaminer la chaîne alimentaire, menaçant alors la santé humaine.

Lors de l'achat d'un nouvel appareil, le vendeur est tenu de reprendre gratuitement l'ancien et de se charger lui-même du dépôt en déchetterie.

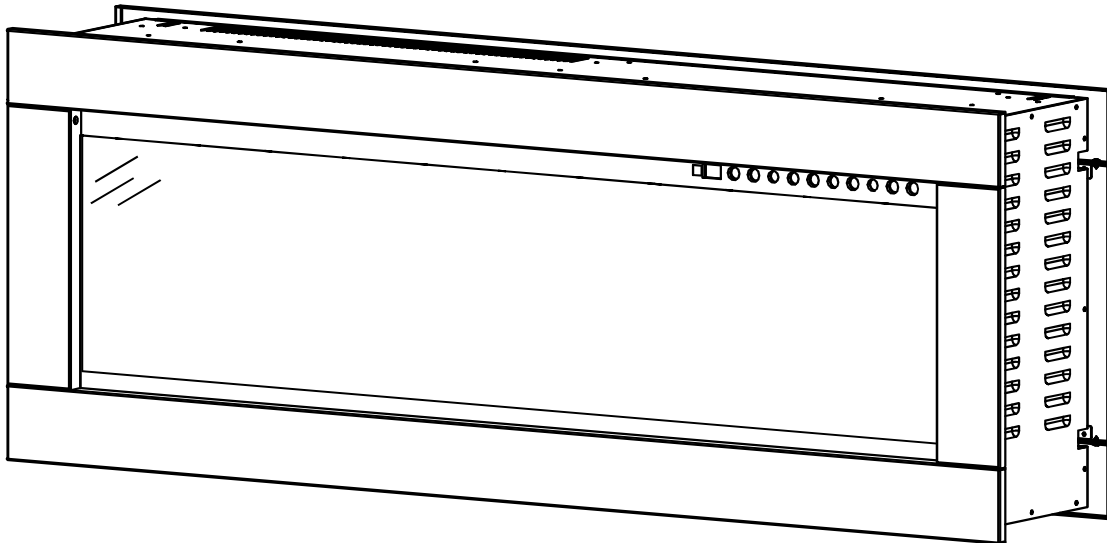


7200, Route Transcanadienne, Montréal, Québec H4T 1A3
24 Napoleon Road, Barrie, Ontario, Canada L4M 0G8
214 Bayview Drive, Barrie, Ontario, Canada L4N 4Y8
103 Miller Drive, Crittenden, Kentucky, États-Unis 41030
De Riemsdijk 22, 4004 LC Tiel, Pays-Bas
napoleon.com



INSTALLATIONS- UND BETRIEBSHANDBUCH

CLEARion™ Elite



SICHERHEITSINFORMATIONEN

⚠️ WARNUNG

BRAND- ODER EXPLOSIONSGEFAHR

Wenn die Informationen in diesen Anweisungen nicht genau befolgt werden, kann es zu einem Brand oder einer Explosion kommen, die Sachschäden, Personenschäden oder den Tod zur Folge haben kann.

– Lagern oder verwenden Sie kein Benzin oder andere entzündliche Gase und Flüssigkeiten in der Nähe dieses oder eines anderen Geräts.

INSTALLATEUR:

Bewahren Sie dieses Handbuch in der Nähe des Geräts auf

VERBRAUCHER:

Bewahren Sie dieses Handbuch zum künftigen Nachschlagen auf

**ZUR AUSSCHLIESSLICHEN VERWENDUNG
IN INNENRÄUMEN**



SERIENNUMMER VOM KARTON AUFBRINGEN



Wolf Steel Europe BV
De Riemsdijk 22, 4004 LC Tiel, Niederlande

WARNUNG

- **Falls das Gerät mit einer Heizung ausgestattet ist, kann es während des Betriebs heiß werden. Bei Berührung kann es zu schweren Verbrennungen kommen.**
- Betreiben Sie das Gerät erst, wenn Sie die Betriebsanweisungen gelesen und verstanden haben. Wenn Sie das Gerät nicht entsprechend den Betriebsanweisungen betreiben, kann es zu Bränden oder Verletzungen kommen.
- Montieren Sie keine beschädigten, unvollständigen oder Ersatzkomponenten.
- Verbrennen Sie kein Holz oder andere Materialien in diesem Gerät.
- Alle Elektrogeräte besitzen im Innern heiße und funkenbildende Teile. Verwenden Sie sie nicht in Bereichen, in denen es Gasleitungen, Farbe oder brennbare Flüssigkeiten gibt.
- Werden Schutzscheiben oder -gitter zwecks Wartung entfernt, müssen diese vor erneuter Inbetriebnahme des Geräts wieder angebracht werden.
- Das Fach mit den Bedienelementen, das Umwälzgebläse und seine Öffnungen im Gerät müssen unbedingt sauber gehalten werden. Das Gerät ist vor der Benutzung und mindestens einmal jährlich von qualifiziertem Servicepersonal zu prüfen. Bei übermäßigem Vorhandensein von Fusseln von Teppichen, Bettwäsche etc. ist möglicherweise eine häufigere Reinigung erforderlich. Der Gerätebereich ist frei von brennbaren Materialien, Benzin und anderen entzündlichen Gasen und Flüssigkeiten zu halten.
- Dieses Gerät darf unter keinen Umständen modifiziert werden.
- Verwenden Sie dieses Gerät nicht, wenn eines seiner Teile mit Wasser in Berührung gekommen ist. Rufen Sie umgehend einen qualifizierten Servicetechniker an, damit er das Gerät prüft und die Teile des Kontrollsystems, die mit Wasser in Berührung gekommen sind, austauscht.
- Betreiben Sie Geräte mit Glastüren nicht, wenn die Glasscheibe entfernt wurde, gesprungen oder zerbrochen ist. Das Glas ist von lizenziertem oder qualifiziertem Servicepersonal auszutauschen. Schlagen oder knallen Sie die Glastür des Geräts nicht zu.
- Bewahren Sie das Verpackungsmaterial außerhalb der Reichweite von Kindern auf, und entsorgen Sie es auf sichere Art und Weise. Wie alle Plastiktüten sind sie kein Spielzeug und müssen von Kindern ferngehalten werden.
- Während der Wartung muss das Gerät von der Stromversorgung getrennt sein.
- Ziehen Sie immer den Netzstecker des Geräts, wenn es nicht in Gebrauch ist.
- Betreiben Sie das Gerät nicht, wenn das Kabel oder der Stecker beschädigt wurde, nachdem das Gerät eine Störung aufgewiesen hat, fallen gelassen oder auf irgendeine Weise beschädigt wurde. Geben Sie das Gerät zwecks Begutachtung, elektrischer oder mechanischer Anpassung oder Reparatur bei der autorisierten Servicestelle ab.
- Nicht im Freien verwenden.
- Bei der Installation des Geräts in einem Raum, in dem Wasser vorhanden ist, muss die Installation den Vorschriften bezüglich der erhöhten Gefahr von Stromschlägen und Elektroschocks entsprechen.

Hinweis:

Dieses Gerät ist NICHT für den Einbau im Bad geeignet.


- Verlegen Sie das Kabel nicht unter Teppichboden. Decken Sie das Kabel nicht mit kleinen Teppichen, Läufern oder Ähnlichem ab. Verlegen Sie das Kabel abseits von Verkehrsflächen und dort, wo keine Stolpergefahr besteht.
- Schließen Sie es nur an ordnungsgemäß geerdete Steckdosen an.
- Achten Sie darauf, dass keine Fremdkörper in Lüftungs- oder Abluftöffnungen geraten, da dies zu Stromschlag oder Brand führen oder das Gerät beschädigen könnte.
- Es ist normal, dass Ihr elektrisches Gerät Geräusche erzeugt, insbesondere wenn es in einem ruhigen Raum wie einem Schlafzimmer installiert ist.

WARNUNG

- Zur Reduzierung der Brandgefahr darf der Luftein- und -auslass in keiner Weise blockiert werden. Nicht auf weichen Oberflächen wie Teppichen verwenden, auf denen Öffnungen blockiert werden können.
- Geräte immer direkt an eine Wandsteckdose anschließen. Niemals ein Verlängerungskabel oder eine Steckdosenleiste verwenden.
- Diese Geräte wurden ausschließlich für die Verwendung mit dem in diesen Anweisungen aufgeführten optionalen Zubehör geprüft und gelistet. Die Verwendung von optionalem Zubehör, das nicht speziell für dieses Gerät getestet wurde, kann zum Erlöschen der Garantie bzw. zu einem Sicherheitsrisiko führen.

Für Geräte, die mit einer Heizung ausgestattet sind:

- Verbrennungsrisiko. Vor der Wartung müssen Sie die Stromversorgung zum Gerät trennen und das Gerät abkühlen lassen. Um die Stromversorgung zum Gerät zu trennen, drehen Sie die Bedienelemente in die Position „off“ (aus) und ziehen Sie dann den Stecker aus der Steckdose.
- Kleine Kinder sind gut zu beaufsichtigen, wenn sie sich in demselben Raum wie das Gerät befinden. Kleine Kinder und andere Personen könnten sich versehentlich verbrennen. Eine physische Barriere wird empfohlen, wenn sich gefährdete Personen im Haus befinden. Um den Zugang zu einem Gerät oder einem Ofen zu versperren, montieren Sie ein verstellbares Sicherheitsgitter, sodass kleine Kinder und andere gefährdete Personen nicht den Raum betreten und heiße Oberflächen berühren können.
- Kleidung oder andere brennbare Materialien dürfen nicht auf dem oder in der Nähe des Geräts platziert werden.
- Aufgrund der hohen Temperaturen ist das Gerät außerhalb von Verkehrsflächen und abseits von Möbeln und Vorhängen zu platzieren.
- Ergreifen Sie geeignete Sicherheitsvorkehrungen, um sicherzustellen, dass Kinder/Kleinkinder keine heißen Oberflächen berühren können.
- Auch nach dem Ausschalten des Geräts bleibt das Glas bzw. die Scheibe längere Zeit heiß.
- Fragen Sie Ihren Fachhändler vor Ort nach Schutzscheiben und Schutzvorrichtungen für Feuerstellen, um Kinder vor heißen Oberflächen zu schützen. Diese Scheiben und Schutzvorrichtungen sind am Boden zu befestigen.
- Achten Sie auf Einhaltung von Abständen zu brennbaren Materialien, wenn Sie einen Sims oder Regale über dem Gerät montieren. Erhöhte Temperaturen an der Wand oder in der Luft über dem Gerät können dazu führen, dass Dekoration, Fernseher oder andere elektronischen Komponenten schmelzen, sich verfärben oder beschädigt werden.

 WARNUNG: Durch dieses Produkt können Sie Chemikalien, einschließlich Blei und bleihaltigen Stoffen, ausgesetzt werden, die im Staat Kalifornien als krebserregend eingestuft werden, sowie Chemikalien, einschließlich BBP und DEHP, die im Staat Kalifornien als Ursache für Geburtsfehler oder anderen Schädigungen der Fortpflanzungsfähigkeit eingestuft werden. Weitere Informationen finden Sie unter www.P65Warnings.ca.gov.

Inhaltsverzeichnis

DE

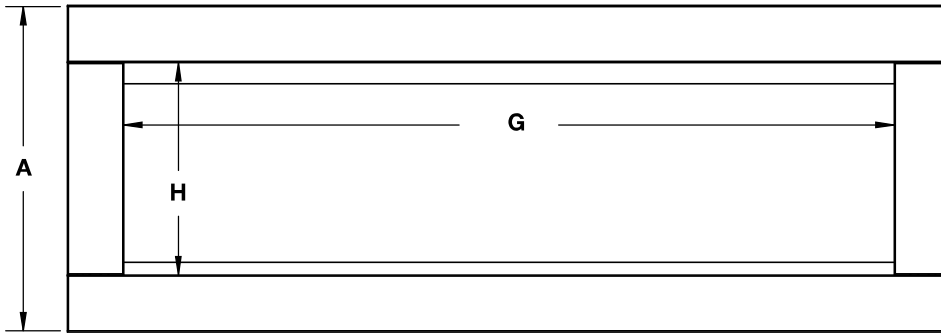
1.0	Allgemeine Informationen	65
1.1	Abmessungen	65
1.2	Produktinformationen	66
1.3	Allgemeine Anweisungen	66
1.4	Teilleiste	66
1.5	Auspacken des Geräts	67
1.6	Typenschildinformationen	67
1.7	Magnetische Knöpfe	68
2.0	Installation	69
2.1	Anbringen des Geräts	69
2.2	Erdung des Geräts	70
2.3	Mindestabstand zu brennbaren Materialien	70
2.4	Mindestabstand zu Sims	70
2.5	Einrahmung	71
2.6	Installieren des Geräts	72
3.0	Elektrische Informationen	74
3.1	Anschlussplan	74
3.2	Installation der Festverdrahtung	75
3.3	Anschluss der Festverdrahtung	76
4.0	Abschließende Schritte	77
4.1	Abnehmen/Anbringen der vorderen Verkleidung	77
4.2	Abnehmen/Anbringen der Glasscheibe	77
4.3	Platzieren der Medien	78
4.3.1	Platzieren der Medien „River Rock“ und „Treibholz“	78
4.3.2	Platzieren der Medien „Weiße Kieselsteine“	78
5.0	Betriebsanweisungen	79
5.1	Hauptnetzschalter	79
5.2	Bedienen der Fernbedienung und des interaktiven Bedienfelds	79
5.3	timer settings on remote control	82
5.3.1	Einstellen von Datum und Uhrzeit	82
5.3.2	Festlegen der Ein-/Ausschaltzeit und Temperatur in wöchentlichem Rhythmus	82
5.4	Warnung zu offenem Fenster	83
6.0	Wartung	84
6.1	Reinigung	84
7.0	Ersatzteile	85
7.1	Übersicht	86
8.0	Zubehör	87
8.1	Zubehör	87
9.0	Fehlerbehebung	88
10.0	Garantie	89

Hinweis:

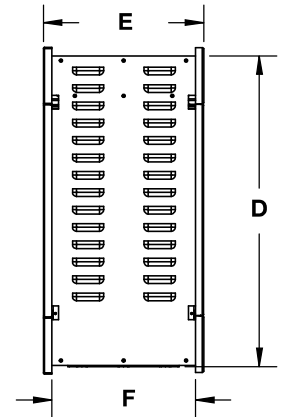
Die Informationen in diesem Handbuch gelten zum Zeitpunkt des Drucks als korrekt. Wolf Steel Ltd. behält sich das Recht vor, die Informationen in diesem Handbuch jederzeit ohne Ankündigung zu ändern. Änderungen, die nicht redaktioneller Art sind, werden durch eine vertikale Linie am Rand gekennzeichnet.

1.1 Abmessungen

Vorderansicht



Seitenansicht rechts



Obenansicht



A	B	C	D	E	F	G	H
18 3/8" (467mm)	47 9/16" (1208mm)	50" (1270mm)	17 5/8" (447mm)	9 1/16" (231mm)	8 1/8" (207mm)	43 5/8" (1108mm)	12 1/16" (306mm)

Allgemeine Informationen

DE

1.2 Produktinformationen

Dieses Gerät wurde entsprechend den GSA-Standards für feste und standortgebundene Elektrogeräte in den USA und Kanada getestet. Falls Sie Hilfe beim Aufbau benötigen, wenden Sie sich bitte an Ihren Händler vor Ort.

	NEFBD50HE-EU
Beschreibung	Transparentes elektronisches Gerät
Typ	Elektronisches Gerät
Spannung	220–240 V AC
Watt	1750–2000 W
Ampere	Eigener geerdeter Schaltkreis mit 15 A
Nettogewicht	101,4 lbs (46 kg)
Bruttogewicht	131,2 lbs (59,5 kg)

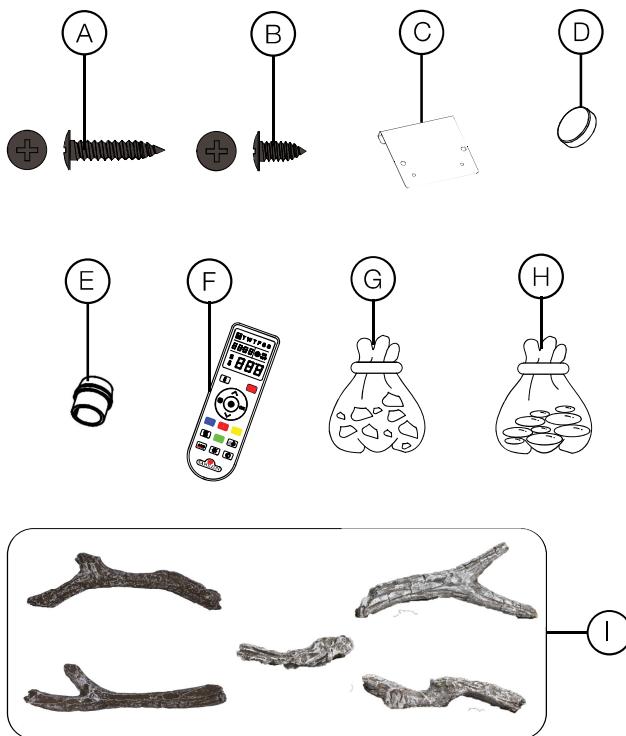
1.3 Allgemeine Anweisungen

- Das Gerät kann bei der ersten Verwendung einen leichten, jedoch harmlosen Geruch abgeben. Dieser Geruch ist normal und wird durch die erstmalige Erwärmung der innenliegenden Geräteelemente verursacht; anschließend tritt er nicht wieder auf.
- Wenn Ihr Gerät bei Bedarf keine Wärme abgibt, lesen Sie für weitere Informationen den Abschnitt "Betrieb" in diesem Handbuch.
- Verwenden Sie das Gerät mit einem CE- oder GS-zertifizierter Überspannungsschutz.

Dieses Elektrogerät erfüllt die Bau- und Sicherheitsnormen von H.U.D. für den Einsatz in Fertighäusern, wenn es gemäß dieser Anleitung installiert wird.

Wie die meisten elektronischen Geräte ist Ihr neues Elektrogerät für den Betrieb bei Temperaturen zwischen 5° C (41° F) und 35° C (95° F) ausgelegt. Lassen Sie das Gerät in den kälteren Wintermonaten erst Raumtemperatur erreichen, bevor Sie es einschalten.

1.4 Teileliste

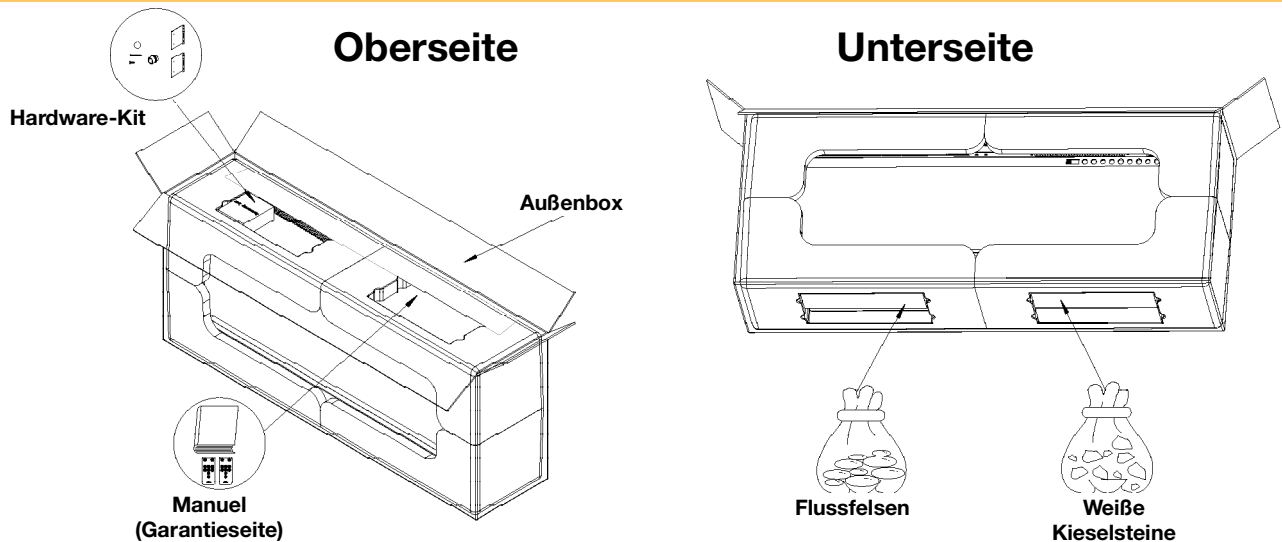


Ref.	Beschreibung	Anzahl
A	Metallschrauben (Schwarz)	4
B	Metallschrauben (Schwarz)	12
C	Halterung	2
D	Magnetische Knöpfe	8
E	Zugentlastung	1
F	Fernbedienung	2
G	Weißer Kieselsteine	2 Tüten
H	River Rock	2 Tüten
I	Treibholz	2 Kits

1.5 Auspacken des Geräts

! WARNUNG

- Nehmen Sie das Gerät vorsichtig aus dem Karton.



Hinweis:

Das Gerät wird mit mitteldichten Holzfaserverplatten (MDF-Platte) an den Seiten geliefert. Weitere Informationen finden Sie im Abschnitt „Installieren des Geräts“.

1.6 Typenschildinformationen

ELECTRIC FIREPLACE. SUITABLE FOR BEDROOM AND BED-SITTING ROOM INSTALLATION. SUITABLE FOR MOBILE HOME INSTALLATION.

VOLTAGE: 220-240 VAC
 FREQUENCY: 50Hz
 POWER: 1750-2000W
 DATE CODE: XXXXX

MODELS

NEFB050HE-EU CEFB050HE-EU

Manufacturer: Wolf Steel Ltd.
 24 Napoleon Road,
 Barrie, ON, L4M 0G8 Canada

Importer: Wolf Steel Europe BV
 De Riemsdijk 22, 4004 LC Tiel,
 The Netherlands

DESIGNED IN NORTH AMERICA
 BY WOLF STEEL LTD.
 MADE IN CHINA

SERIAL NUMBER: NEFB000000 W385-2593

CE

TÜV Rheinland ZERTIFIZIERT

GS geprüfte Sicherheit

RoHS

Reach

www.tuv.com

www.tuv.com

www.tuv.com

Die Abbildung dient nur als Referenz. Genaue Informationen finden Sie auf dem Typenschild des Geräts.

Hinweis:

Das Typenschild muss stets am Gerät verbleiben. Es darf unter keinen Umständen entfernt werden.

Allgemeine Informationen

DE

1.7 Magnetische Knöpfe

Ihr Gerät wird mit magnetischen Knöpfen geliefert (siehe Abschnitte „Teilleiste“ und „Ersatzteile“). **Die Knöpfe können optional für dekorative Zwecke angebracht werden.**

Wenn Sie die Knöpfe anbringen möchten, platzieren Sie sie an den vier Ecken des Gerätegestells (**Abb. 1-1**). Schieben Sie die Knöpfe nicht auf der Oberfläche umher, da dies zu Kratzern im Lack führen kann.

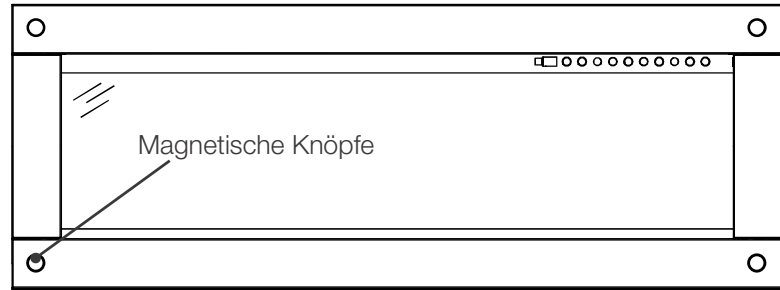


Abb. 1-1

! WARNUNG

- Brandgefahr! Das Netzkabel darf nicht an einer scharfen Kante gequetscht werden. Sichern Sie das Kabel, um Stolpern oder Hängenbleiben zu vermeiden und so das Risiko von Brand, Stromschlag oder Verletzungen zu verringern. Verlegen Sie das Kabel nicht unter Teppichboden. Decken Sie das Kabel nicht mit kleinen Teppichen, Läufern oder ähnlichen Gegenständen ab. Verlegen Sie das Kabel abseits von Verkehrsflächen und dort, wo keine Stolpergefahr besteht.
- Brandgefahr! Zur Reduzierung der Brandgefahr darf der Luftein- und -auslass in keiner Weise blockiert werden. Nicht auf weichen Oberflächen verwenden, auf denen Öffnungen blockiert werden können.
- Brandgefahr! Keine Isolierung gegen das Gerät blasen oder auf diesem platzieren.
- Dieses Elektrogerät wurde ausschließlich für die Verwendung mit dem zugelassenen optionalen Zubehör geprüft und gelistet. Die Verwendung von optionalem Zubehör, das nicht speziell für dieses elektrische Gerät getestet wurde, kann zum Erlöschen der Garantie bzw. zu einem Sicherheitsrisiko führen.
- Wenn die Informationen in diesen Anweisungen nicht genau befolgt werden, kann es zu einem Brand oder einer Explosion kommen, die Sachschäden, Personenschäden oder den Tod zur Folge haben kann. Lagern oder verwenden Sie kein Benzin oder andere entzündliche Gase in der Nähe dieses oder eines anderen Geräts.
- Dieses Gerät ist schwer. Es wird ausdrücklich empfohlen, dass die Installation dieses Geräts von zwei Personen durchgeführt wird.
- Wenn Ihr Gerät mit einer Heizung ausgestattet ist, stellen Sie sicher, dass die Lüftungsöffnungen des Heizers in keiner Weise abgedeckt werden können, da dies eine Brandgefahr darstellen kann.
- Verlegen Sie das Netzkabel nicht waagrecht direkt unter dem Gerät.

Hierbei handelt es sich um ein durchsichtiges elektronisches Gerät, das in die Wand eingebaut wird. Wählen Sie einen geeigneten Standort aus, der nicht anfällig für Feuchtigkeit ist und sich nicht in der Nähe von Vorhängen, Möbeln und stark frequentierten Bereichen befindet.

Hinweis:

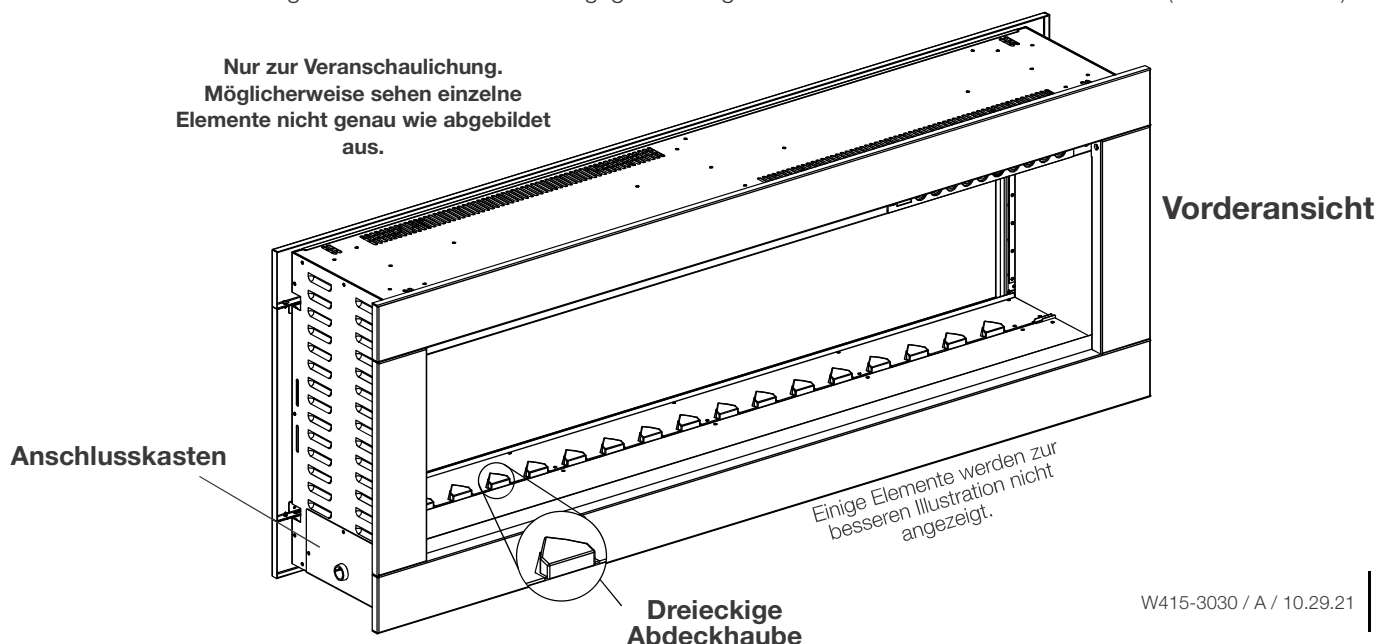
Halten Sie sich an alle nationalen und lokalen Vorschriften für elektrische Geräte.

2.1 Anbringen des Geräts

! WARNUNG

- Aufgrund der hohen Temperaturen ist das Elektrogerät außerhalb von stark frequentierten Bereichen zu platzieren. Halten Sie brennbare Materialien wie Möbel, Kissen, Bettzeug, Papiere, Kleidung, Vorhänge und ähnliche Gegenstände mindestens 91,4 cm (36") von der Vorderseite des Geräts entfernt.
- Positionieren Sie das Elektrogerät nicht so, dass es in eine Badewanne oder einen Wasserbehälter fallen könnte.
- Tragen Sie zum Schutz während der Installation und Wartung Schutzhandschuhe und Schutzbrille.
- Um den Kontakt mit durchhängender oder loser Isolierung zu verhindern, darf das Elektrogerät nicht vor einer Dampfsperre oder einer exponierten Isolierung installiert werden. Es könnte zu einer lokalen Überhitzung kommen, die einen Brand verursachen könnte.
- Setzen Sie das elektrische Gerät nicht den Elementen (Regen usw.) aus.

Um die Vorderseite des Geräts bestimmen zu können, stellen Sie sicher, dass sich der Anschlusskasten auf der linken Seite und die dreieckigen Abdeckhauben auf der gegenüberliegenden Seite der Brennkammer befinden (siehe Illustration).



Installation

2.2 Erdung des Geräts

! WARNUNG

- Zur Verwendung mit 220-V- und 240-V-Spannung.
- Eine geerdete/gebondete Stromquelle ist zur Verwendung dieses Geräts **verbindlich**.
- Das Gerät muss an einen eigenen Schaltkreis mit 15 A angeschlossen werden. Die Verwendung eines Verlängerungskabels ist **NICHT** erlaubt.

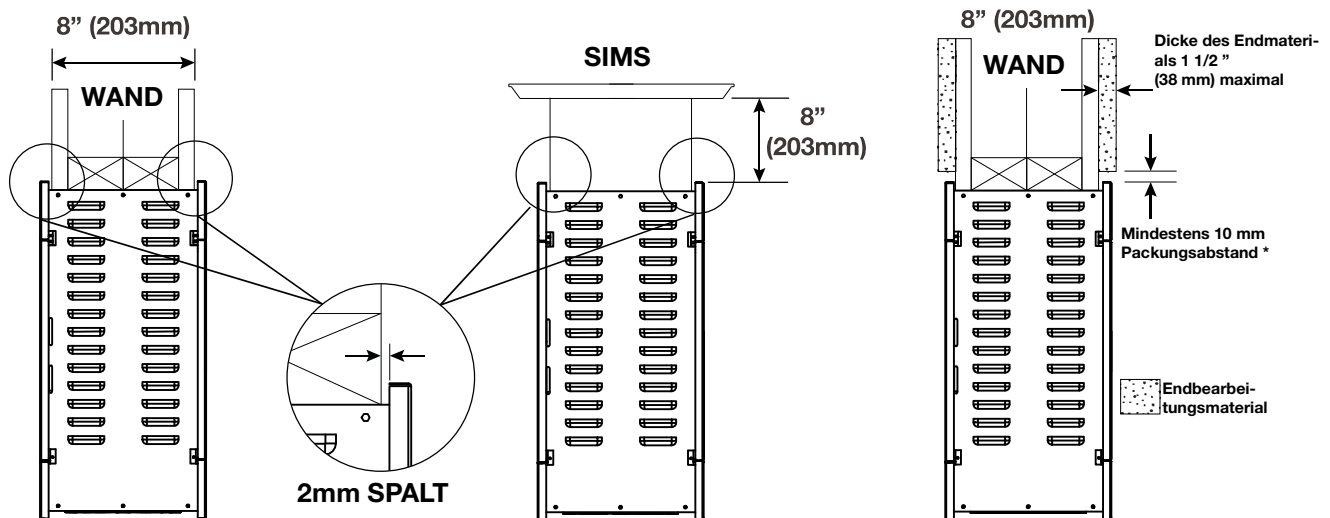
2.3 Mindestabstand zu brennbaren Materialien

Die Messungen werden von der vorderen Verkleidung aus vorgenommen:	
Unterseite	0"
Seiten	0"
Vorder-/Rückseite	36" (914 mm)
Kaminumfassung	8" (203 mm)

2.4 Mindestabstand zu Sims

! WARNUNG

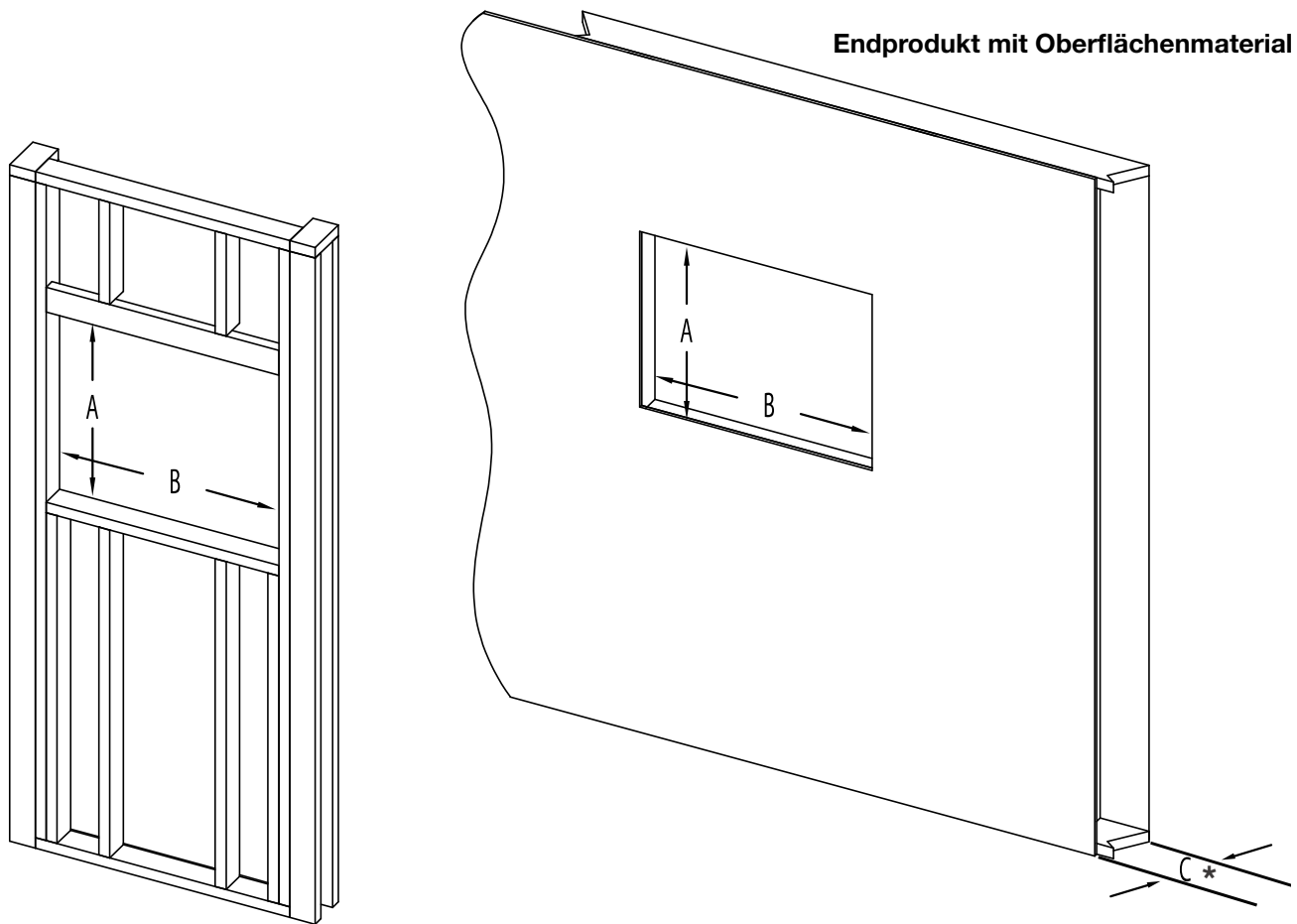
- Sollten Sie den Sims mit Farbe oder Lack behandeln, müssen diese hitzebeständig sein, um Verfärbungen zu verhindern.



Hinweis:

* Wenn Oberflächenmaterialien auf der bereits 203 mm (8") dicken Wand installiert werden, muss an der Oberseite der Verkleidung ein 10 mm (3/8") breiter Abstand eingehalten werden, um das Gerät warten zu können.

2.5 Einrahmung



A	17 15/16" (456mm)
B	49" (1245mm)
C	8" (203mm) max.
	4 1/2" (114mm) ** min

Wichtig:

* Diese Abmessung berücksichtigt die Breite des Oberflächenmaterials.

** Eine breite Verkleidung ist für diese Wandbreite verfügbar (siehe Abschnitt „Zubehör“).

Installation

DE

2.6 Installieren des Geräts

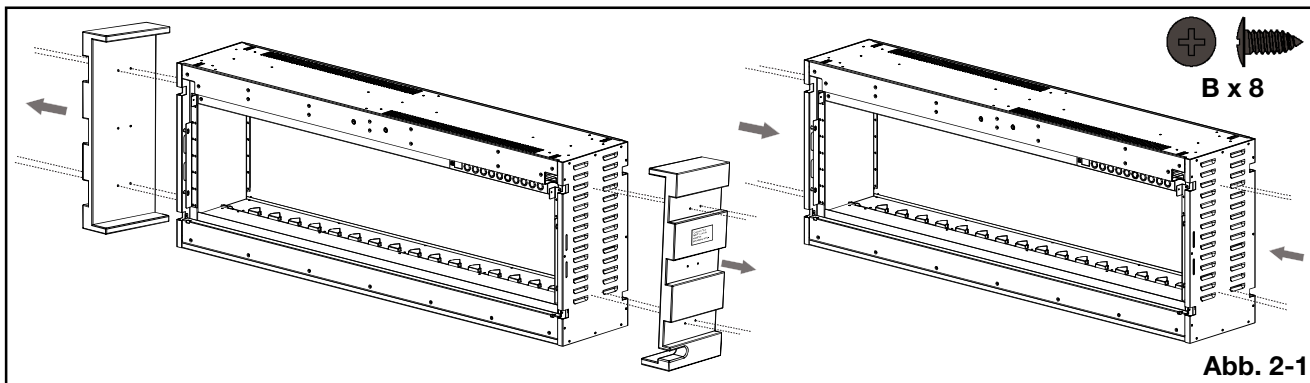
Hinweis:

Es wird empfohlen, die Wände der Geräteumfassung mit einer Oberflächenvergütung zu versehen (d. h. Trockenwand), damit exponierte Isolierungen oder Dampfsperren nicht in Kontakt mit dem Gerät kommen können. Dadurch wird sichergestellt, dass der erforderliche Abstand zu brennbaren Materialien eingehalten wird.

Beim Schrauben in eine Ständerwand sind keine Wanddübel erforderlich.

Es wird empfohlen, bei der Installation einen magnetischen Schraubendrehereinsatz zu verwenden, um zu verhindern, dass die Schrauben in das Gerät fallen.

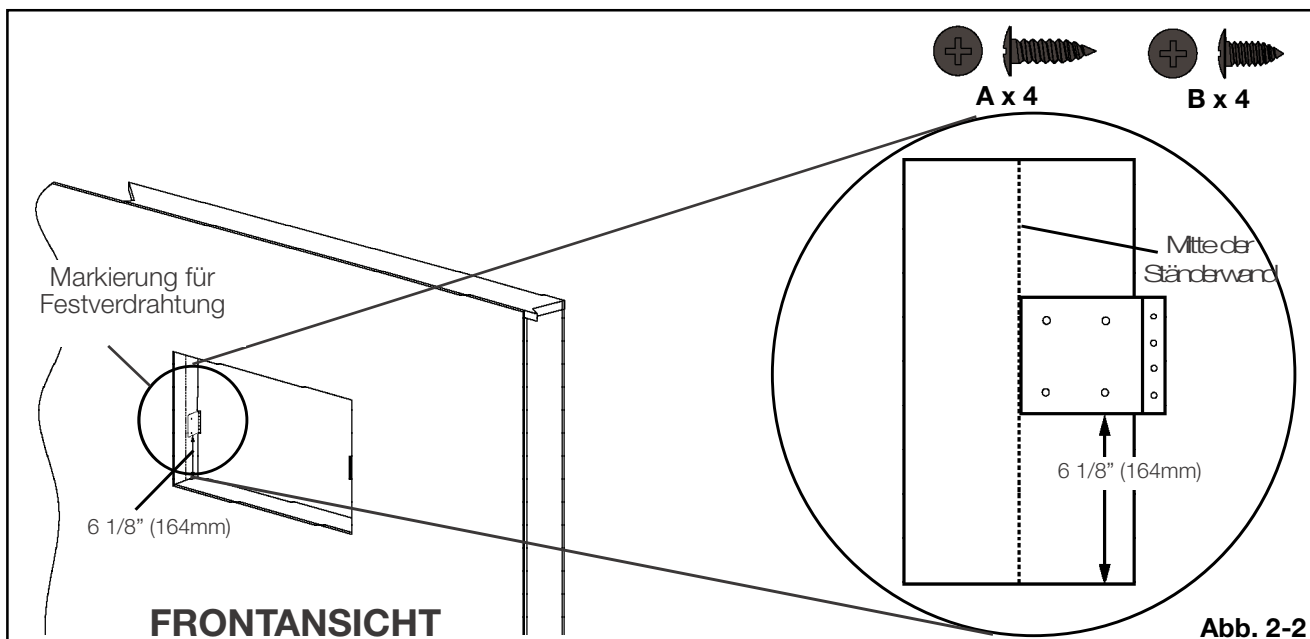
- A. Öffnung einrahmen (siehe Abschnitt „Einrahmung“).
- B. Installieren Sie die Festverdrahtung auf der linken Seite (aus der Vorderansicht).
- C. Nehmen Sie die vordere Verkleidung des Geräts ab (siehe Abschnitt „Abnehmen/Anbringen der vorderen Verkleidung“).
- D. Nehmen Sie die Glasscheibe ab (siehe Abschnitt „Abnehmen/Anbringen der Glasscheibe“).
- E. Nehmen Sie die zwei MDF-Platten ab, indem Sie die Schrauben entfernen. Legen Sie beide MDF-Platten zur Seite. Schrauben Sie die 4 mitgelieferten Schrauben in die Schraubenlöcher der MDF-Platte (**Abb. 2-1**).



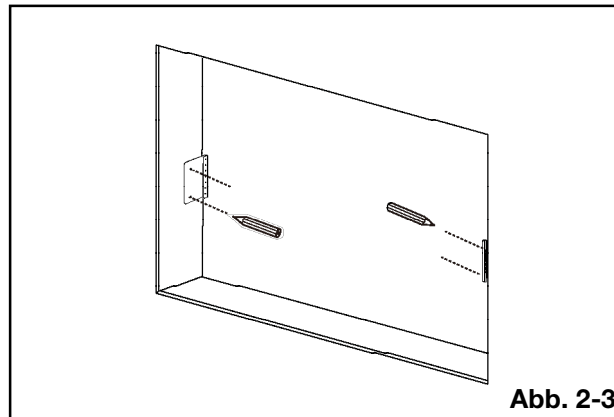
Hinweis:

Bei der Installation werden 2 Halterungen an gegenüberliegenden Ecken verwendet. Wenn Sie die Ständerwand von der Mitte der Öffnung aus betrachten, ragen die Halterungen nach rechts heraus (**Abb. 2-2**).

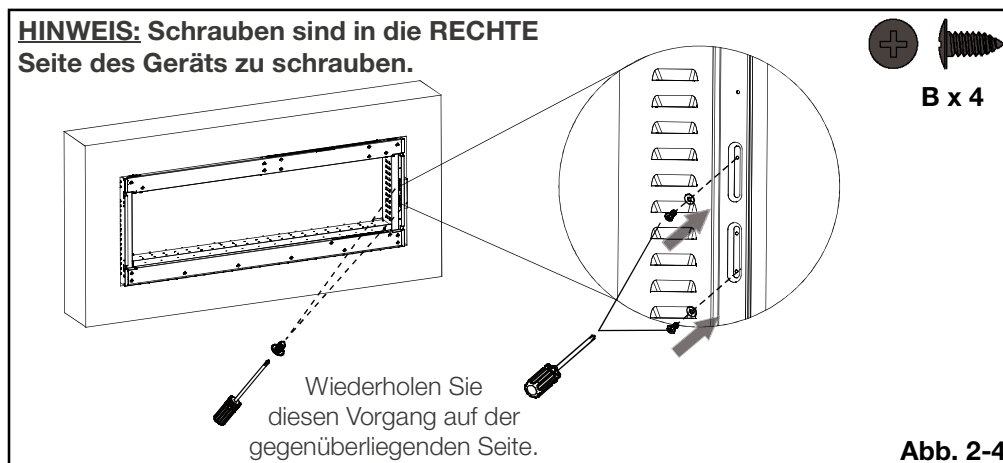
- F. Markieren Sie die Mitte der Wandtiefe auf der vertikalen Ständerwand und montieren Sie die Halterungen, indem Sie den Rand der Halterung an der Mittelmarkierung ausrichten. Messen Sie 164 mm (6 1/8") von der Unterseite der Halterung bis zur Unterseite der Öffnung ab (**Abb. 2-2**).



- G.** Markieren Sie die Löcher für die Halterung. Vergewissern Sie sich, dass sich die Löcher auf gegenüberliegenden Seiten befinden. Die Halterungen können nicht auf der gleichen Seite montiert werden (**Abb. 2-3**).


Abb. 2-3

- H.** Bohren Sie die Löcher an den markierten Stellen und montieren Sie die Halterungen mit den mitgelieferten Schrauben.
- I.** Positionieren Sie das Gerät in der Öffnung, sodass die Festverdrahtung ermöglicht wird (siehe Abschnitt „Festverdrahtung“).
- J.** Platzieren Sie das Gerät vollständig in der Öffnung und stellen Sie es gegen die Halterungen. Richten Sie die Schraubenlöcher an den Schlitz in der Seite des Geräts aus und schrauben Sie durch die Schlitz, um das Gerät an den Halterungen zu befestigen. Wiederholen Sie diesen Vorgang auf der gegenüberliegenden Seite (**Abb. 2-4**).



- K.** Platzieren Sie die Medien (siehe Abschnitt „Platzieren der Medien“).
- L.** Bringen Sie die Glasscheibe und vordere Verkleidung wieder an (siehe Abschnitte „Abnehmen/Anbringen der Glasscheibe“ und „Abnehmen/Anbringen der vorderen Verkleidung“).

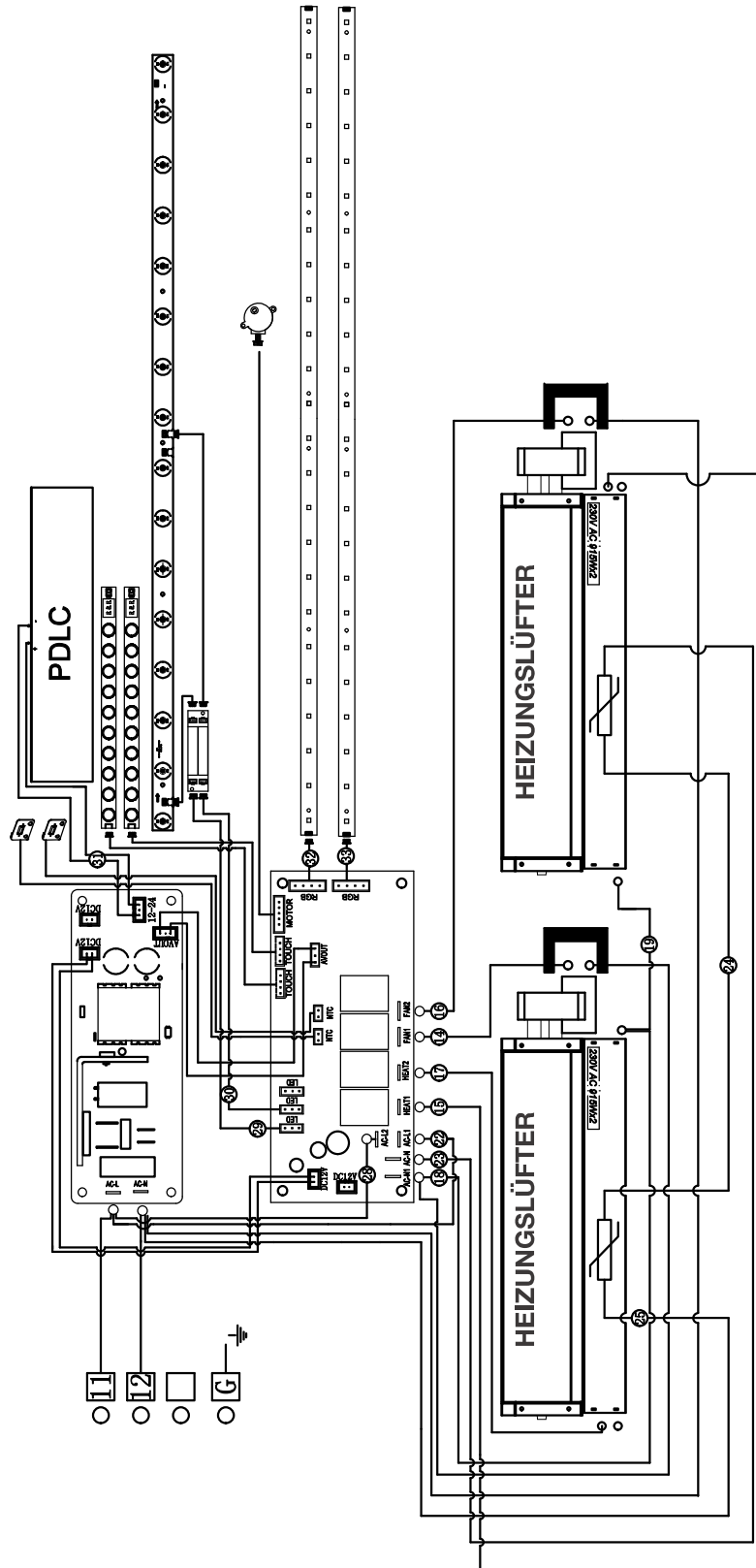
3.0 Elektrische Informationen

DE

3.1 Anschlussplan

! WARNUNG

- Schalten Sie das Gerät vollständig aus und lassen Sie es vor der Wartung abkühlen. Das Elektrogerät darf nur von qualifiziertem Servicepersonal gewartet und repariert werden.



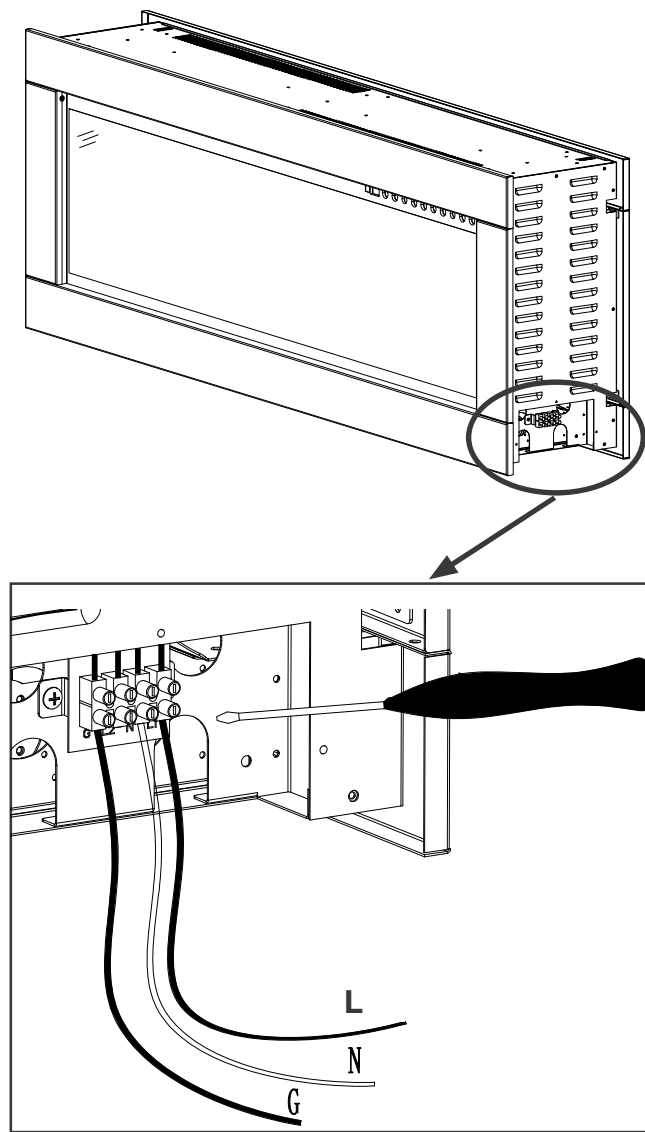
3.2 Installation der Festverdrahtung

! WARNUNG

- Schalten Sie das Gerät vollständig aus und lassen Sie es vor der Wartung abkühlen. Das Elektrogerät darf nur von qualifiziertem Servicepersonal gewartet und repariert werden.

Festverdrahtete Verbindung

Die Festverdrahtung ist bei diesem Gerät vorgeschrieben. Ein qualifizierter Elektriker muss das Gerät direkt mit der Hausinstallation verbinden.



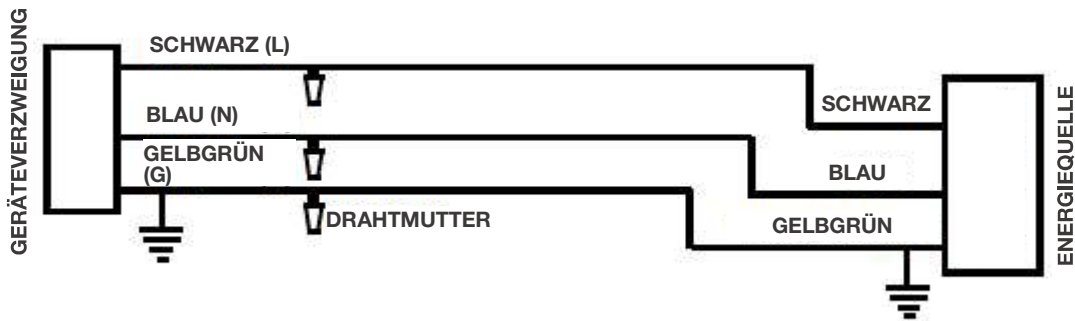
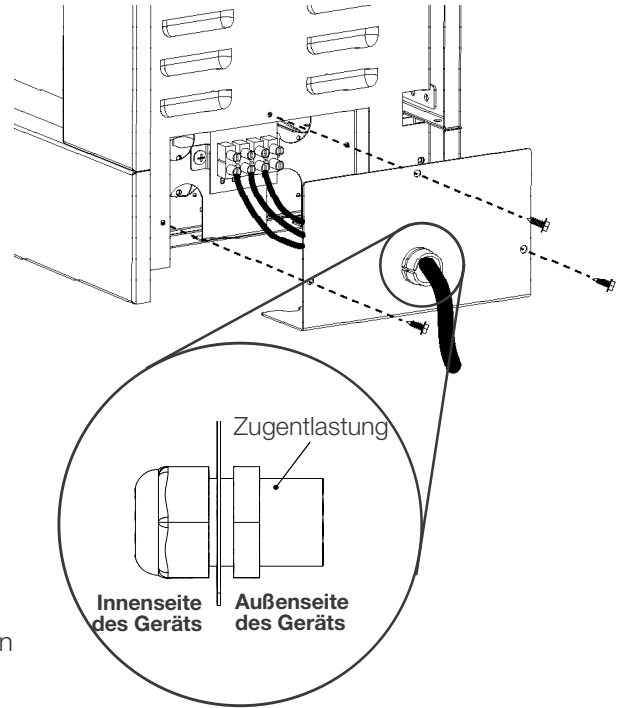
Festverdrahtung

Elektrische Informationen

DE

3.3 Anschluss der Festverdrahtung

- A. Nehmen Sie die Abdeckplatte durch Entfernen der 3 Schrauben ab. Legen Sie die Schrauben beiseite.
- B. Befestigen Sie die Zugentlastung und führen Sie die Versorgungskabel vom Terminal durch das 22 mm (7/8") breite Loch. Benutzen Sie mindestens ein 14AWG/3-Kabel.
- C. Lösen Sie die Befestigungsschrauben des gelbgrünen (G-)Leiters vom Anschlussblock. Führen Sie den gelbgrünen (G) oder Kupferdraht von der Stromversorgung in die dafür vorgesehenen (G-) Schlitze im Anschlussblock ein. Sichern Sie die Schrauben an den (G-)Schlitzen durch Anziehen.
- D. Lösen Sie die Befestigungsschrauben des blauen (N-)Leiters vom Anschlussblock. Führen Sie den blauen (N-)Leiter von der Stromversorgung in die dafür vorgesehenen (N-)Schlitze im Anschlussblock ein. Sichern Sie die Schrauben an den (N-)Schlitzen durch Anziehen.
- E. Lösen Sie die Befestigungsschrauben des schwarzen (L-)Leiters vom Anschlussblock. Führen Sie den schwarzen (L-)Leiter von der Stromversorgung in die dafür vorgesehenen (L-)Schlitze im Anschlussblock ein. Sichern Sie die Schrauben an den (L-)Schlitzen durch Anziehen.
- F. Bringen Sie die Abdeckplatte wieder an.



Hinweis:

Lassen Sie genügend Kabel übrig, damit das Gerät aus der Einfassung entfernt werden kann und somit die festverdrahteten Anschlüsse freigelegt werden können.

Wenn die Anschlüsse falsch verdrahtet sind, funktioniert das Gerät nicht und gibt eine akustische Warnung (z. B. einen Piepton) ab.

4.1 Abnehmen/Anbringen der vorderen Verkleidung

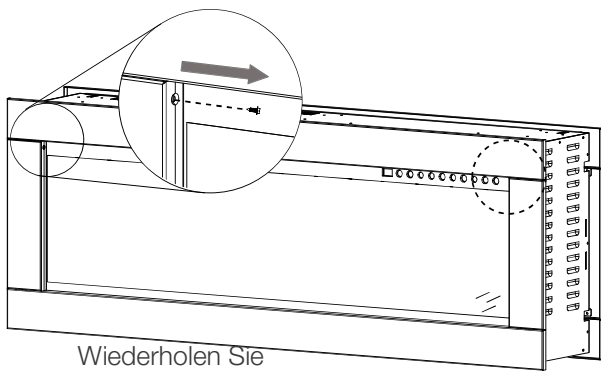
! WARNUNG

- Bevor Sie die vordere Verkleidung oder die Glasscheibe abnehmen oder anbringen, ziehen Sie den Netzstecker und warten Sie, bis sich das Gerät kühl anfühlt.
- Die Verkleidung ist schwer und empfindlich. Gehen Sie daher vorsichtig vor.

Hinweis:

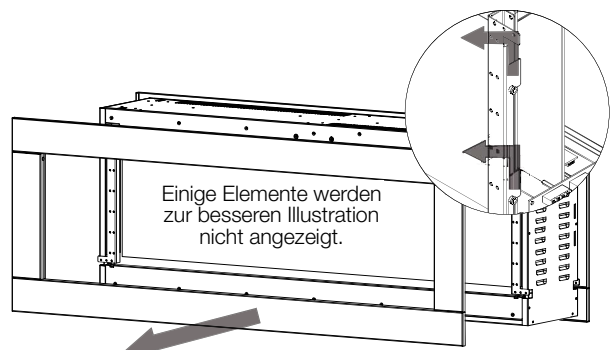
Die Schritte zum Abnehmen und Anbringen der Verkleidung sind auf beiden Seiten des Geräts (Vorder- und Rückseite) identisch.

- Entfernen Sie die 2 Schrauben der vorderen Verkleidung (**Abb. 4-1**). Legen Sie die Schrauben beiseite.
- Zwei Personen sollten die vordere Verkleidung anheben, bis sie sich von den Haken in der Brennkammer löst (**Abb. 4-2**). Legen Sie die Verkleidung mit der Vorderseite auf eine weiche, nicht scheuernde Oberfläche.
- Führen Sie diese Schritte zum Anbringen der Verkleidung in umgekehrter Reihenfolge aus.



Wiederholen Sie diesen Vorgang auf der gegenüberliegenden Seite.

Abb. 4-1

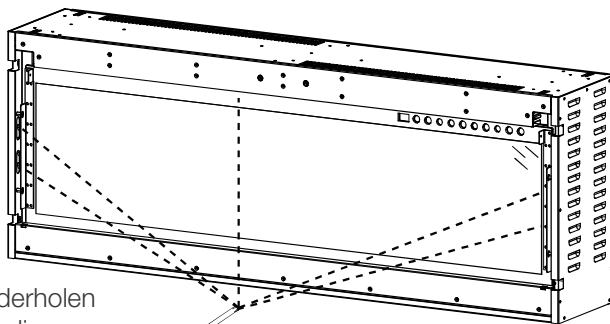


Wiederholen Sie diesen Vorgang auf der gegenüberliegenden Seite.

Abb. 4-2

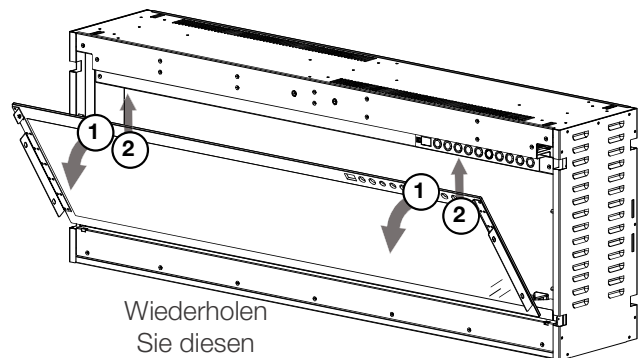
4.2 Abnehmen/Anbringen der Glasscheibe

- Entfernen Sie die 5 Schrauben der Glasscheibe (**Abb. 4-3**).
- Zwei Personen sollen die Glasscheibe an- und von den Seitenpaneels wegheben (**Abb. 4-4**). Legen Sie die Glasscheibe mit der Vorderseite auf eine weiche, nicht scheuernde Oberfläche.
- Führen Sie diese Schritte zum Anbringen der Glasscheibe in umgekehrter Reihenfolge aus.



Wiederholen Sie diesen Vorgang auf der gegenüberliegenden Seite.

Abb. 4-3



Wiederholen Sie diesen Vorgang auf der gegenüberliegenden Seite.

Abb. 4-4

Abschließende Schritte

DE

4.3 Platzieren der Medien

Für dieses Gerät stehen Ihnen zwei Medien-Kits zur Verfügung: River Rock mit Treibholz oder weiße Kieselsteine. Informationen zum Platzieren der Medien sind unten aufgeführt.

4.3.1 Platzieren der Medien „River Rock“ und „Treibholz“

Die Glasscheibe muss abgenommen und das Gerät muss an der vorgesehenen Stelle befestigt werden, bevor die Medien „River Rock“ und „Treibholz“ platziert werden.

1. Legen Sie die River Rocks vorsichtig in die Medienschale an der Vorder- und Rückseite des Geräts.
2. Verteilen Sie sie gleichmäßig.
3. Legen Sie das Treibholz auf die River Rocks (**Abb. 4-5**).

Hinweis:

Dreieckige Abdeckhauben auf der Rückseite des Geräts NICHT abdecken. Wenn Sie die dreieckigen Abdeckhauben mit Medien bedecken, verändert sich das Aussehen der Flamme (**Abb. 4-6**).



Abb. 4-5

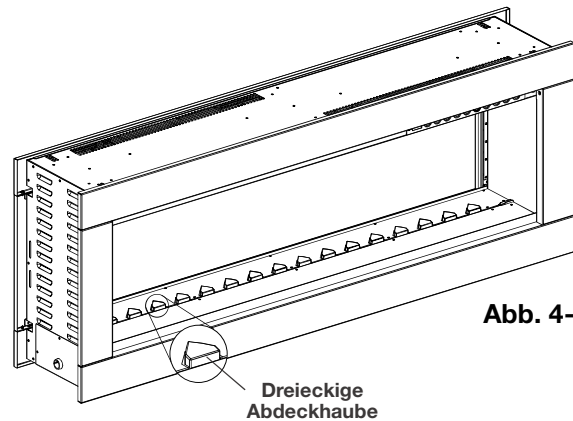


Abb. 4-6

4.3.2 Platzieren der Medien „Weiße Kieselsteine“

Die Glasscheibe muss abgenommen und das Gerät an der vorgesehenen Stelle befestigt werden, bevor die weißen Kieselsteine platziert werden.

1. Legen Sie die weißen Kieselsteine vorsichtig in die Medienschale an der Vorder- und Rückseite des Geräts.
2. Verteilen Sie sie gleichmäßig (**Abb. 4-7**).

Hinweis:

Dreieckige Abdeckhauben auf der Rückseite des Geräts NICHT abdecken. Wenn Sie die dreieckigen Abdeckhauben mit Medien bedecken, verändert sich das Aussehen der Flamme (**Abb. 4-6**).



Abb. 4-7

! WARNUNG

- Entfernen Sie die Verkleidung nicht, solange das Gerät in Betrieb ist. Dies führt zu einer Fehlfunktion der Fernbedienung und des interaktiven Bedienfelds.

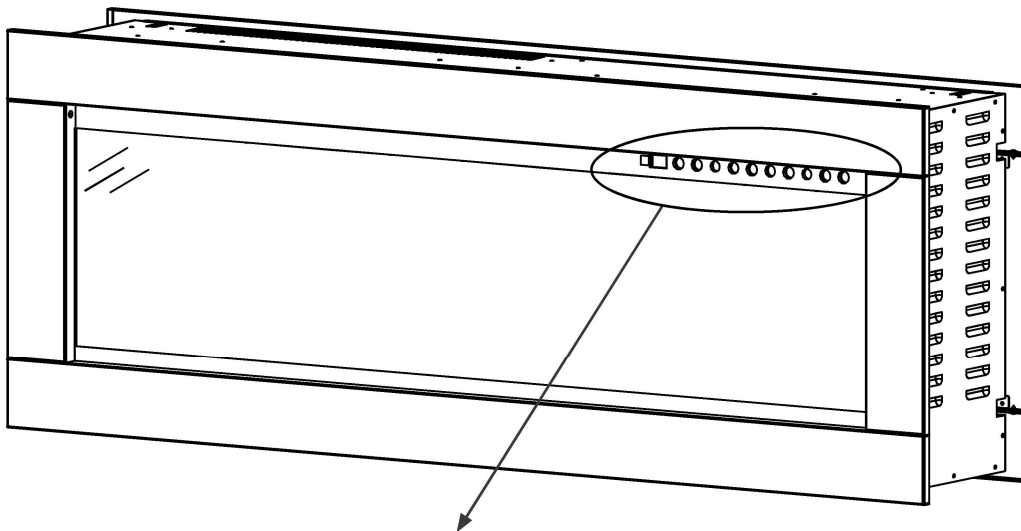
Nachdem das Gerät mit einer 220–240-V-Stromquelle festverdrahtet wurde, ist es betriebsbereit.

Hinweis:
Vergewissern Sie sich, dass die Sicherungsschalter des Hauses für die Stromversorgung eingeschaltet sind. Im Falle eines Stromausfalls verliert das Gerät seine Speicherfunktion und schaltet bei Wiederherstellung der Stromversorgung auf den Werksmodus zurück.

5.1 Hauptnetzschalter

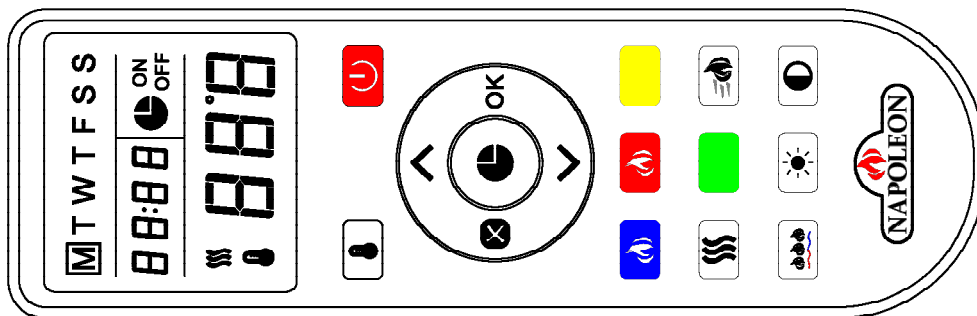
Der Hauptnetzschalter befindet sich oben rechts an der Glasscheibe.

5.2 Bedienen der Fernbedienung und des interaktiven Bedienfelds



Interaktives Bedienfeld

Nur zur Veranschaulichung. Möglicherweise sieht das interaktive Bedienfeld nicht genau wie abgebildet aus.



Fernbedienung

Hinweis:
Schaltflächen ohne Icons sind als Schaltflächen ohne Funktion anzusehen.

Betriebsanweisungen






DE

Hinweis:






Wenn nur der **Heizer** eingeschaltet ist (d. h. keine Flammen, keine Glutbett-Lichter usw.), ist das Display abgedunkelt und zeigt „H-1“ oder die gewählte Temperatur an.

Wenn nur das **Gebälse** eingeschaltet ist (d. h. keine Flammen, keine Glutbett-Lichter usw.), ist das Display abgedunkelt und zeigt „FAN“ an.

Das Gebläse läuft 10 Sekunden weiter, nachdem der Heizer ausgeschaltet wurde. Dies reduziert die Hitze im Gerät und seine eigene Temperatur.

<p>Netzschalter</p>		<p>Dient zum Ein- und Ausschalten des Geräts.</p>
<p>Transparente Glasscheibe</p>		<p>Regelt die Transparenz der Glasscheibe.</p> <p>Einstellungen: G-1 - Modus leichte Transparenz (Standard) G-2 - Modus maximale Transparenz G-0 - Modus ohne Transparenz</p> <p>Halten Sie die Heizertaste für fünf Sekunden gedrückt, um den G-0-Modus auszuwählen. Wenn die Einstellungen aufgehoben sind, geht das Gerät automatisch in den G-1-Modus (Standard) über.</p>
<p>Orangefarbene Flamme</p>		<p>Regelt die Helligkeit der orangefarbenen Flamme.</p> <p>Einstellungen: OF4 - Flamme mit maximaler Helligkeit OF3 - Flamme mit starker Helligkeit OF2 - Flamme mit mittlerer Helligkeit OF1 - Flamme mit minimaler Helligkeit OF0 - Flamme aus</p>
<p>Blaue Flamme</p>		<p>Regelt die Helligkeit der blauen Flamme.</p> <p>Einstellungen: BF4 - Flamme mit maximaler Helligkeit BF3 - Flamme mit starker Helligkeit BF2 - Flamme mit mittlerer Helligkeit BF1 - Flamme mit minimaler Helligkeit BF0 - Flamme aus</p>
<p>Glutbett-Helligkeit</p>		<p>Regelt die Helligkeit des Glutbett-Lichts.</p> <p>HINWEIS: Wenn die Farbe des Glutbetts auf L16 eingestellt ist, kann die Glutbett-Helligkeit nicht geändert werden.</p> <p>Einstellungen: B-5 - Auf- und abblenden B-4 - Maximale Helligkeit B-3 - Starke Helligkeit B-2 - Mittlere Helligkeit B-1 - Minimale Helligkeit B-0 - Glutbett-Licht aus</p>





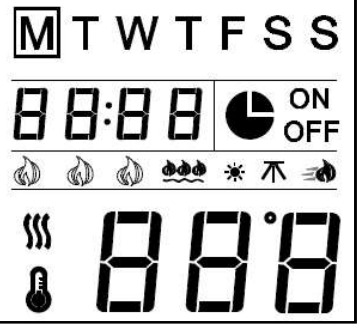
Fortsetzung auf der nächsten Seite →

<p>Glutbett-Farbe</p>		<p>Regelt die Einstellungen für das Glutbett-Licht.</p> <p>HINWEIS: Die Helligkeit des Glutbett-Lichts muss zwischen B-4 und B-1 liegen, um die Farbe steuern zu können.</p> <p>Einstellungen: L01 - Orange L02 - Rot L03 - Blau L04 - Gelb L05 - Grün L06 - Violett L07 - Himmelblau L08 - Purpurrot L09 - Weiß L10 - Rosa L11 - Gelbgrün L12 - Eisblau L13 - Orangerot L14 - Hellgrün L15 - Magentarot L16 - Automatischer Zyklus L17 - L16-Zyklus bei gewünschter Farbe stoppen</p>
<p>Flammengeschwindigkeit</p>		<p>Regelt die Geschwindigkeit der Flammen.</p> <p>Einstellungen: S-3, S-4, S-5, S-1, S-2</p>
<p>Heizer</p>		<p>Schaltet den Heizer und das Gebläse ein und aus.</p> <p>Einstellungen: H-0 - Heizer und Bläser aus FAN - Bläser an H-1 - Heizer an (1000 W pro Seite) LOC - Aussperrung von Heizer und Thermostat</p> <p>HINWEIS: Halten Sie die Heizertaste für fünf Sekunden gedrückt, um die ausgewählte Einstellung für Heizer und Thermostat zu bestätigen oder aufzulösen.</p> <p>HINWEIS: Jede Geräteseite verfügt über eine eigene Heizersteuerung.</p>
<p>Zeituhr</p>		<p>Regelt die Zeituhr.</p> <p>Einstellungen: 30 min, 1, 2, 3, 4, 5, 6, 7 und 8 Std.</p> <p>HINWEIS: Nachdem Sie die 9 Zeituhreinstellungen vorgenommen haben, wird auf dem Display folgendes Symbol angezeigt: „---“.</p>
<p>Temperatur-Regelung</p>		<p>Regelt die Temperatur.</p> <p>Einstellungen: 18 °C (64 °F), 19 °C (66 °F), 20°C (68 °F), 21 °C (70 °F), 22 °C (72 °F), 23 °C (74 °F), 24 °C (76 °F), 25 °C (78 °F), 26 °C (80 °F), 27 °C (82 °F) und AUS.</p> <p>Halten Sie die Temperaturtaste für fünf Sekunden gedrückt, um zwischen Celsius und Fahrenheit zu wechseln.</p>





Betriebsanweisungen

DE



5.3 timer settings on remote control

 Zeituhr: Zeigt aktuelle Tag-, Uhrzeit- und Wocheneinstellungen an. Drücken, um Zeituhreinstellungen einzugeben oder zu bestätigen.		
OK Einstellungen: Drücken, um mit dem nächsten Schritt fortzufahren (mit Zeituhrtaste verwenden). Drücken, um Wochenzeituhr zu bestätigen.		
 Zurück: Drücken, um Zeituhreinstellungen zu löschen. Drücken, um zum vorherigen Schritt zurückzukehren (mit Einstellungstaste verwenden).		
 Nach oben und nach unten: mit Einstellungstaste verwenden.		
LCD-Anzeige		
Wochentag: _____ Mo, Di, Mi, Do, Fr, Sa, So		HINWEIS: Die Funktionen können nur geändert werden, wenn die jeweiligen Buchstaben oder Ziffern blinken. HINWEIS: Kalibrieren Sie die Zeituhr vor den wöchentlichen Einstellungen auf die aktuelle Zeit.
Zeitanzeige: _____		
Aktuelle Zeit/Zeituhr von 00:00 bis 24:00 HINWEIS: 00–12:00 ist AM/13:00–24:00 ist PM		




5.3.1 Einstellen von Datum und Uhrzeit

1. Drücken Sie  einmal. Wenn „MON“ (Montag) blinkt, wählen Sie mit  den aktuellen Tag aus. Drücken Sie OK, um die Einstellung abzuschließen.
2. Wenn die Stundenziffern blinken, wählen Sie mit  die aktuelle Stundenzahl aus. Drücken Sie OK, um die Einstellung abzuschließen.
3. Wenn die Minutenziffern blinken, wählen Sie mit  die aktuelle Minutenzahl aus. Drücken Sie OK, um die Einstellung abzuschließen.



5.3.2 Festlegen der Ein-/Ausschaltzeit und Temperatur in wöchentlichem Rhythmus

1. Drücken Sie  einmal. Wenn „MON“ (Montag) blinkt, wählen Sie mit  den aktuellen Tag aus. Drücken Sie OK, um die Einstellung abzuschließen.

Hinweis:
Der Timer kann nur in 30-minütigen Intervallen eingestellt werden (d. h. 00:00–00:30, 00:30–01:00 usw.).

2. Wenn --:-- blinkt, wählen Sie mit  die gewünschte Stunden- und Minutenzahl aus, zu denen der Heizer eingeschaltet werden soll. Drücken Sie OK, um die Einstellung abzuschließen. Drücken Sie jederzeit , um die Eingabe zu löschen und den „ON“-Timer zu beenden.
3. Wenn „18“ blinkt können Sie mit  die gewünschte Temperatur für Montag wählen, bei der der Heizer eingeschaltet werden soll.

Hinweis:
Wenn bereits eine Temperatur eingestellt wurde, wird diese Einstellung anstatt der „18“ angezeigt.

4. Wenn --:-- blinkt, wählen Sie mit  die gewünschte Stunden- und Minutenzahl aus, zu denen der Heizer ausgeschaltet werden soll. Drücken Sie OK, um die Einstellung abzuschließen. Drücken Sie jederzeit , um die Eingabe zu löschen und den „OFF“-Timer zu beenden.

5. Wiederholen Sie die Schritte 1 bis 4, um die Ein- und Ausschaltzeiten und Temperaturen für Dienstag, Mittwoch, Donnerstag, Freitag, Samstag und Sonntag einzustellen.
6. Drücken Sie OK, um die Eingabe abzuschließen. Achten Sie darauf, dass die Fernbedienung auf den Empfänger in der Mitte des Geräts gerichtet ist. Das Gerät gibt einen Piepton ab, um zu bestätigen, dass die Eingabe erfolgreich war.

5.4 Warnung zu offenem Fenster

Wenn die Raumtemperatur innerhalb von 3 Minuten um 10 Grad sinkt, geht das Gerät davon aus, dass ein Fenster geöffnet wurde. Um Energie zu sparen, schaltet der Heizer automatisch von hoher Hitze auf niedrige Hitze um, oder, wenn der Heizer bereits auf niedrige Hitze eingestellt ist, schaltet er sich ganz aus.

Beim Umstellen von hoher Hitze auf niedrige Hitze gibt das Gerät 3 Pieptöne von sich. Im digitalen Display blinkt „88“ 3-mal auf. Dann wird der aktuelle Heizstatus angezeigt.

Wenn das Gerät sich abschaltet, gibt es 3 Pieptöne von sich. „88“ blinkt kontinuierlich im digitalen Display.

Wie Sie die Heizfunktion zurücksetzen, können Sie im Abschnitt „Bedienen der Fernbedienung“ nachlesen.

6.0 Wartung

DE

6.1 Reinigung

WARNUNG

- Schalten Sie zur Vorbereitung von Reinigungs- oder Wartungsarbeiten stets den Strom ab und lassen Sie das elektrische Gerät abkühlen, bevor Sie es reinigen, warten oder umstellen. Das Nichtbefolgen dieser Anweisungen kann zu Stromschlägen, Bränden oder Verletzungen führen.
- Das Besprühen mit oder Untertauchen in Wasser ist strengstens untersagt. Das Nichtbefolgen dieser Anweisungen kann zu Stromschlägen, Bränden oder Verletzungen führen.

Metallverkleidung:

- Mit einem weichen Tuch polieren, das mit einem Produkt auf Zitrusölbasis leicht angefeuchtet ist.
- Verwenden Sie keine Messingpolitur oder Haushaltsreiniger, da diese Produkte die Metallverkleidung beschädigen.

Glasscheibe:

- Sprühen Sie ein hochwertiges Reinigungsmittel auf ein Tuch oder Lappen und wischen Sie damit die Glasoberfläche vorsichtig. Trocknen Sie die Oberfläche gründlich mit einem Haushaltspapier oder fusselfreien Tuch.
- Geben Sie niemals Scheuermittel, Sprays oder andere Reiniger direkt auf die Oberfläche, da dies zu Kratzern auf der Oberfläche führt.

Lüftungsschlitze:

- Verwenden Sie einen Staubsauger oder ein Staubtuch, um Staub und Schmutz von dem Heizer und den Lüftungsschlitzen zu entfernen.

Kunststoffleisten:

- Mit einem leicht befeuchteten Tuch, einer Spülmittellösung und warmem Wasser vorsichtig abwischen.
- Geben Sie niemals Scheuermittel, Sprays oder andere Reiniger direkt auf die Oberfläche, da dies zu Kratzern auf der Oberfläche führt.

WARNUNG

- Wenn die Teile nicht gemäß diesem Handbuch eingebaut werden oder Teile verwendet werden, die nicht für dieses Gerät zugelassen sind, können Sach- oder Personenschäden entstehen.

Bei Fragen zu Preisen und Richtlinien zu Ersatzteilen wenden Sie sich an Ihren Händler. In der Regel können alle Teile über Ihren autorisierten Händler/Lieferanten bestellt werden.

Zur Erfüllung des Gewährleistungsanspruchs auf Ersatzteile ist eine Kopie der Originalrechnung erforderlich.

Geben Sie bei der Bestellung von Ersatzteilen immer folgende Informationen an:

- Modell- und Seriennummer des Geräts
- Installationsdatum des Geräts
- Teilenummer
- Beschreibung des Teils
- Oberflächenausführung

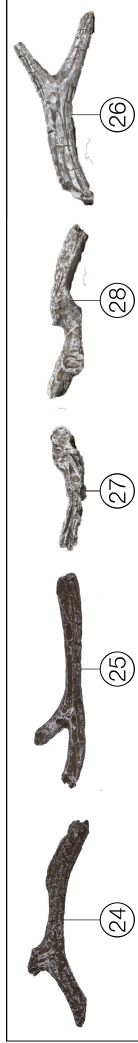
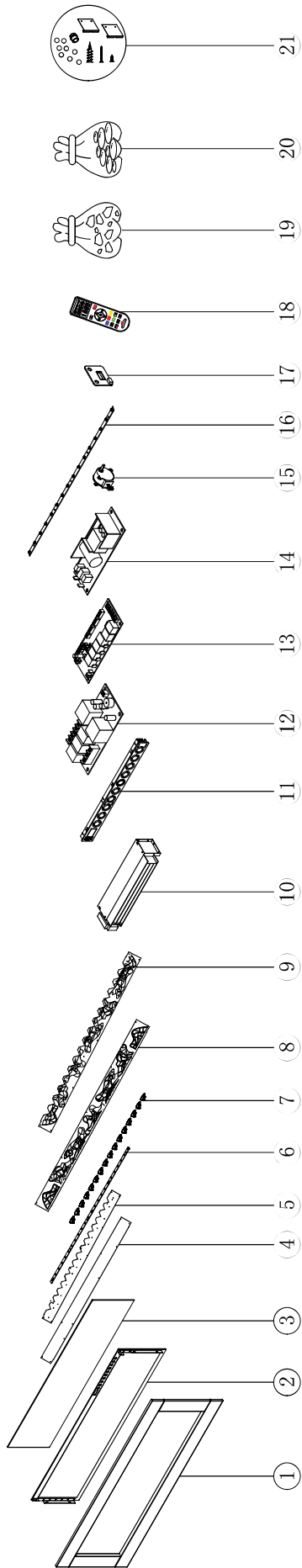
Teile, Teilenummern und Verfügbarkeit können ohne vorherige Ankündigung geändert werden.

Vorrätige Teile werden für die meisten Lieferorte innerhalb von zwei bis fünf Werktagen geliefert.

Nicht vorrätige Teile werden in den meisten Fällen innerhalb von zwei bis vier Wochen geliefert.

Als „SO“ markierte Teile sind Sonderaufträge und können eine Lieferzeit von bis zu 90 Tagen erfordern.

7.1 Übersicht



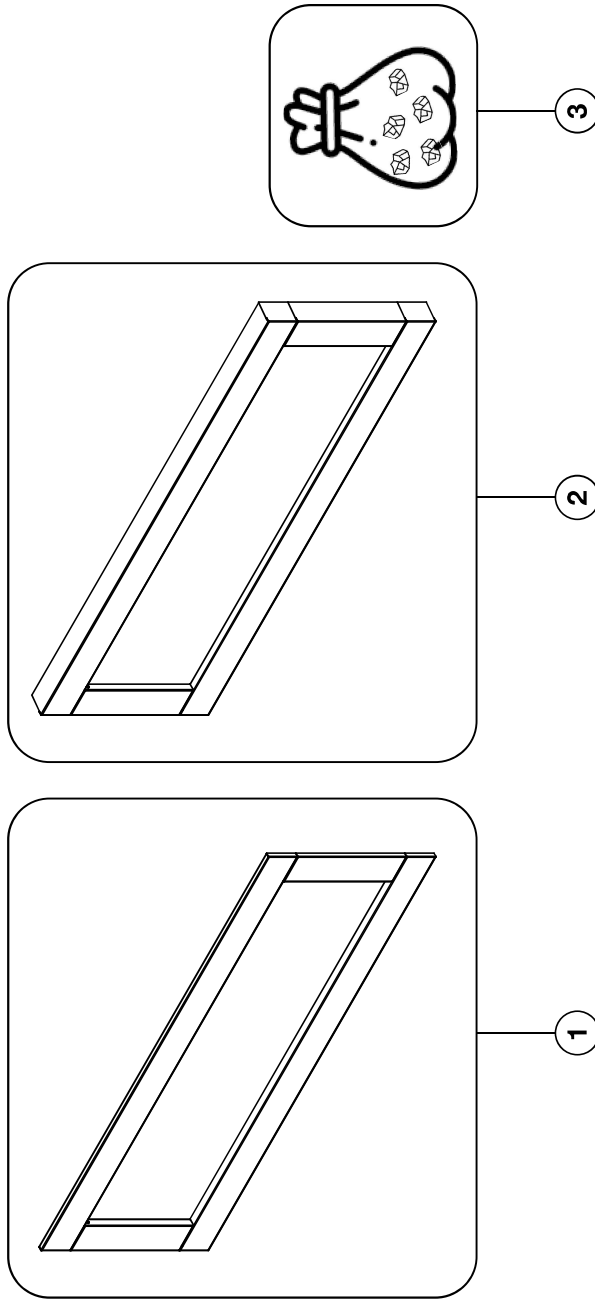
Möglicherweise sehen einzelne Elemente nicht genau wie abgebildet aus.

Ref.-Nr.	Menge	Teilenr.	Beschreibung	Auf Lager	Ref.-Nr.	Menge	Teilenr.	Beschreibung	Auf Lager
1	2	W715-1227-SER	Frontverkleidung schwarz	Ja	13	1	W190-0223	Hauptplatine	Ja
2	2	W300-0313-SER	Frontscheibe	Ja	14	1	W190-0179-SER	Motor für das Sichtschutzglas	Ja
3	1	W300-0314-SER	Sichtschutzglas	Ja	15	1	W435-0090-SER	Schrittmotor	Ja
4	1	W497-1608-SER	Vorderes Medienfach	Ja	16	1	W405-0083-SER	LED leuchtet für die Flamme	Ja
5	1	W497-1609-SER	Zurück Medienfach	Ja	17	2	W690-0021	Thermostat	Ja
6	2	W405-0085-SER	LED-Leuchten für Glutbett	Ja	18	2	W190-0224	Fernbedienung	Ja
7	16	W405-0084-SER	Dreieckige Abdeckhaube	Ja	19	2	W497-1634	Weißer Kieselsteine	Ja
8	1	W135-0936-SER	Protokollsatz für die Vorderseite	Ja	20	2	W497-1635	Flussfelsen	Ja
9	1	W135-0937-SER	Protokollsatz für die Rückseite	Ja	21	1	W370-0191-SER	Hardware-Kit und Montagehalterung	Ja
10	2	W010-5005	Heizungs- und Lüfterbaugruppe	Ja	22 **	1	W430-0023-SER	Magnetische Knöpfe (x8)	Ja
11	2	W475-6144-SER	Touchpanel mit Rezeptor	Ja	23 *	1	W527-0042-SER	Reflektor	Ja
12	1	W190-0180-SER	PCB-Board	Ja	24	2	W135-1023	Treibholz #1	Ja
					25	2	W135-1024	Treibholz #2	Ja
					26	2	W135-1025	Treibholz #3	Ja
					27	2	W135-1026	Treibholz #4	Ja
					28	2	W135-1027	Treibholz #5	Ja

* Parteien nicht illustriert.

** Diese Magnetknöpfe dienen nur zu Dekorationszwecken. Sie sollten in den Ecken der Vorderseite des Geräts platziert werden (Einzelheiten finden Sie im Abschnitt "Magnetische Knöpfe" - Tasten).

8.1 Zubehör



Möglicherweise sehen einzelne Elemente nicht genau wie abgebildet aus.

Ref.-Nr.	Teilenr.	Beschreibung	Auf Lager
1	NEFBD50HE-SS-TRIM	Edelstahlverkleidung (x2)	Ja
2 *	NEFBD50HE-SS-DTRM	Dicke Verkleidung aus Edelstahl (x2)	Ja
2 *	NEFBD50HE-DTRM	Schwarzer dicker Rand (x2)	Ja
3 **	W497-0067-SER	Beutel mit Kristallen, groß	Ja

* Zur Verwendung mit 14 mm dicken Wänden. Weitere Informationen finden Sie im Abschnitt "Einrahmung".

** 5 Kristalle pro Beutel. Dieses Gerät benötigt 2 Beutel.

9.0 Fehlerbehebung

DE

WARNUNG

- Schalten Sie das Gerät vollständig aus und lassen Sie es vor der Wartung abkühlen. Das Elektrogerät darf nur von qualifiziertem Servicepersonal gewartet und repariert werden.

Symptom	Problem	Lösung
Das Gerät schaltet sich nicht ein, wenn der Netzschalter in die Ein-Position gebracht wird.	Der Sicherungsschalter des Hauses hat ausgelöst.	Setzen Sie den Sicherungsschalter des Hauses zurück.
	Festverdrahtete Verbindungen sind nicht korrekt (falls zutreffend).	Siehe Abschnitt „Installation der Festverdrahtung“.
	Das Gerät ist überhitzt und der Thermoschutzschalter hat ausgelöst.	Ziehen Sie das Netzkabel oder schalten Sie den Sicherungsschalter aus. Lassen Sie das Gerät 15 Minuten abkühlen und schließen Sie dann das Netzkabel wieder an oder schalten Sie den Sicherungsschalter ein.
	Problem mit der Hauptleiterplatte.	Überprüfen Sie die Leiterplatte und tauschen Sie sie gegebenenfalls aus.
Das Gerät schaltet sich aus und lässt sich nicht wieder einschalten.	Der Sicherungsschalter des Hauses hat ausgelöst.	Setzen Sie den Sicherungsschalter des Hauses zurück.
	Die Sicherung des Geräts ist durchgebrannt.	Tauschen Sie die Sicherung aus.
	Das Gerät ist überhitzt und der Thermoschutzschalter hat ausgelöst.	Ziehen Sie das Netzkabel oder schalten Sie den Sicherungsschalter aus. Lassen Sie das Gerät zum Zurücksetzen des Thermoschutzschalters 15 Minuten abkühlen und schließen Sie dann das Netzkabel wieder an oder schalten Sie den Sicherungsschalter ein.
Das Gerät ist zu den Standardeinstellungen zurückgekehrt.	Stromausfall.	Reprogrammieren Sie das Gerät auf die ursprünglichen Einstellungen (gilt nicht für alle Geräte).
Die Fernbedienung funktioniert nicht.	Schwache oder leere Batterien.	Tauschen Sie die Batterien in der Fernbedienung aus.
	Fehlfunktion des Fernempfängers.	Vergewissern Sie sich, dass der Fernempfänger nicht blockiert wird. Tauschen Sie das Bedienfeld aus.
Es kommt keine warme Luft aus dem Gerät.	Es wurde keine Heizeinstellung ausgewählt.	Siehe Abschnitt „Betrieb“.
	Die Heizung wurde gesperrt.	Siehe Abschnitt „Betrieb“.
	Die Raumtemperatur ist höher als die Geräteeinstellung (falls auf Raumtemperatur gestellt).	Setzen Sie die Temperatureinstellung zurück.
	Das Gerät ist überhitzt und der Thermoschutzschalter hat ausgelöst.	Ziehen Sie den Netzstecker oder schalten Sie den Sicherungsschalter aus. Lassen Sie das Gerät 15 Minuten lang abkühlen.
	Festverdrahtete Verbindungen sind nicht korrekt (falls zutreffend).	Siehe Abschnitt „Installation der Festverdrahtung“.
	Problem mit der Heizung.	Überprüfen Sie das Gebläse und den Heizer und tauschen Sie sie gegebenenfalls aus.
Der Heizer schaltet automatisch aus.	Der Raum ist zu warm.	Der Heizer hat einen eingebauten Thermostat. Er schaltet sich daher automatisch aus, sobald die voreingestellte Temperatur erreicht ist. Sie schaltet sich wieder ein, sobald die Raumtemperatur unter die voreingestellte Temperatur fällt.
Gedämpfte oder keine Flamme.	Flammenhelligkeit nicht ausgewählt.	Siehe Abschnitt „Betrieb“.
	Problem mit Flammen-LED.	Überprüfen Sie die LED und tauschen Sie sie gegebenenfalls aus.
	Problem mit der Hauptleiterplatte.	Überprüfen Sie die Hauptleiterplatte und tauschen Sie sie gegebenenfalls aus.
Flamme bewegt sich nicht.	Motor ist abgewürgt/funktioniert nicht.	Zyklus ein/aus. Wenn das Problem weiterhin besteht, wenden Sie sich an Ihren Händler.
Das Glutbett glüht nicht und wird auch nicht dunkler.	Die Helligkeit wurde nicht ausgewählt.	Siehe Abschnitt „Betrieb“.
	Problem mit der Glut-LED.	Überprüfen Sie die Glutbett-LED und tauschen Sie sie gegebenenfalls aus.
	Problem mit der Hauptleiterplatte.	Überprüfen Sie die Hauptleiterplatte und tauschen Sie sie gegebenenfalls aus.

Napoleon Elektrogeräte werden unter dem strengen Standard der weltweit anerkannten Qualitätsmanagementnorm ISO 9001 : 2015 hergestellt.

Die Produkte von **Napoleon** werden mit hochwertigen Komponenten und Materialien entwickelt und von qualifizierten Facharbeitern montiert, die großen Wert auf die Qualität ihrer Arbeit legen. Nach der Montage wird das komplette Gerät vor dem Verpacken von einem qualifizierten und zugelassenen Installateur, einer Servicestelle oder einem Lieferanten gründlich inspiziert, um sicherzustellen, dass Sie als Kunde das Qualitätsprodukt erhalten, das Sie von **Napoleon** erwarten.

Eingeschränkte Garantie von Napoleon auf Elektrogeräte

Elektrische Komponenten und Verschleißteile sind abgedeckt, und **Napoleon** stellt während der ersten 2 Jahre der eingeschränkten Garantie kostenlos Ersatzteile zur Verfügung. Dies beinhaltet: Lüfter/Heizgeräte, Motoren, Schalter, Nylon-Lagerkomponenten, Fernbedienungen und LED-Leuchten.*

Glühlampen und Sicherungen sind NICHT durch die Garantie abgedeckt.

Jegliche Arbeit im Zusammenhang mit Garantiereparaturen ist nicht abgedeckt.

* Die Konstruktion verschiedener Modelle variiert. Die Garantie gilt nur für Komponenten Ihres spezifischen Geräts.

Bedingungen und Einschränkungen

Napoleon übernimmt die Gewährleistung seiner Produkte für Herstellungsfehler ausschließlich dem ursprünglichen Käufer gegenüber. Eine Registrierung Ihrer Garantie ist nicht erforderlich. Legen Sie einfach Ihren Kaufbeleg zusammen mit der Modell- oder Seriennummer vor, um einen Garantieanspruch geltend zu machen. Vorausgesetzt, dass der Kauf über einen autorisierten **Napoleon** Händler erfolgt ist, gelten für unser Gerät folgende Bedingungen und Einschränkungen:

Der Garantieanspruch beginnt mit dem Datum der ursprünglichen Installation.

Diese Werksgewährleistung ist nicht übertragbar und kann in keiner Form von einem unserer Vertreter verlängert werden.

Der Einbau hat in Übereinstimmung mit der im Lieferumfang enthaltenen Einbauanleitung sowie lokalen und nationalen Bau- und Brandschutzverordnungen zu erfolgen.

Diese eingeschränkte Gewährleistung deckt keine Schäden ab, die durch Fehlgebrauch, fehlende Wartung, Unfälle, Umbau, unsachgemäße Verwendung oder Nachlässigkeit entstehen; durch den Einbau von Ersatzteilen anderer Hersteller wird diese Gewährleistung nichtig.

Diese eingeschränkte Gewährleistung deckt des Weiteren keine Kratzer, Dellen, Korrosion oder Verfärbungen durch Hitze, abrasive und chemische Reinigungsmittel sowie das Abblättern bei porzellanisierten Teilen oder mechanischen Bruch von PHAZER™ Holzscheiten ab.

Nur in den ersten 2 Jahren erstreckt sich diese Garantie auf die Reparatur oder den Ersatz von Teilen, die unter die Garantie fallen und Material- oder Verarbeitungsfehler aufweisen, vorausgesetzt, dass das Produkt in Übereinstimmung mit der Bedienungsanleitung und unter normalen Bedingungen betrieben wurde.

Napoleon übernimmt keine Verantwortung für den Einbau, die Arbeitskosten oder andere Ausgaben im Zusammenhang mit dem erneuten Einbau des über die Gewährleistung bezogenen Teils; und solche Kosten werden von dieser Gewährleistung nicht abgedeckt. Unbeschadet anders lautender Bestimmungen in dieser eingeschränkten Gewährleistung ist die Verantwortung von **Napoleon** wie oben beschrieben definiert und wird in keinem Fall auf zufällige, daraus folgende oder indirekte Schäden erweitert.

Diese Garantie definiert die Verpflichtungen und die Haftung von **Napoleon** in Bezug auf das **Napoleon** Elektrogerät und alle anderen ausdrücklichen oder impliziten Garantien in Bezug auf dieses Produkt; seine Komponenten oder Zubehörteile sind ausgeschlossen.

Napoleon übernimmt keine weiteren Haftungen im Hinblick auf den Verkauf dieses Produkts und autorisiert keine Dritten zur Übernahme solcher Haftungen.

Jegliche Schäden an Geräten, Messingbeschlägen oder anderen Komponenten durch Wasser, Witterungsschäden, lange Feuchtigkeitsperioden, Kondenswasser, schädliche Chemikalien oder Reinigungsmittel fallen nicht in die Verantwortung von **Napoleon**.

Napoleon behält sich das Recht vor, das Produkt oder das Teil vor der Gewährung der Ansprüche durch einen Vertreter überprüfen zu lassen.

Für alle im Rahmen der eingeschränkten Gewährleistung ausgetauschten Teile ist nur ein einzelner Anspruch möglich.

Alle Teile, die im Rahmen der Garantie ersetzt werden, sind für einen Zeitraum von 90 Tagen ab dem Datum ihrer Installation abgedeckt.

Der Hersteller kann verlangen, dass defekte Teile oder Produkte zurückgegeben werden oder dass digitale Bilder zur Unterstützung des Anspruchs zur Verfügung gestellt werden. Zurückgesandte Produkte sind zur Unterstützung franko an den Hersteller zu senden. Wenn festgestellt wird, dass ein Produkt defekt ist, repariert oder ersetzt der Hersteller diesen Defekt.

Bevor Sie Ihr Gerät oder defekte Komponenten versenden, muss Ihr Händler eine Autorisierungsnummer erhalten. Alle ohne Genehmigung versendeten Waren werden nicht angenommen und an den Absender zurückgeschickt.

Versandkosten sind nicht durch diese Garantie abgedeckt.

Es können zusätzliche Servicegebühren anfallen, wenn Sie Garantieleistungen von einem Händler in Anspruch nehmen.

Alle Spezifikationen und das Design können aufgrund von laufenden Produktverbesserungen ohne vorherige Ankündigung geändert werden.

Napoleon ist eine eingetragene Marke von Wolf Steel Ltd.

FEIERN SIE MIT UNS – SEIT ÜBER 40 JAHREN WOHNKOMFORT PRODUKTE VON NAPOLEON!



WEEE:



Bedeutung der durchgestrichenen Abfalltonne auf Rädern:

Entsorgen Sie Elektrogeräte nicht über den Hausmüll. Nutzen Sie separate Sammelstellen. Informationen zu verfügbaren Sammelsystemen erhalten Sie bei Ihrer Gemeindeverwaltung. Wenn Elektrogeräte auf Müllhalden oder Deponien entsorgt werden, können gefährliche Stoffe in das Grundwasser und damit in die Nahrungskette gelangen, was eine Gefahr für Gesundheit und Wohlbefinden darstellt.

Beim Austausch alter Geräte gegen neue ist der Händler gesetzlich verpflichtet, Ihr altes Gerät mindestens kostenfrei zurückzunehmen.

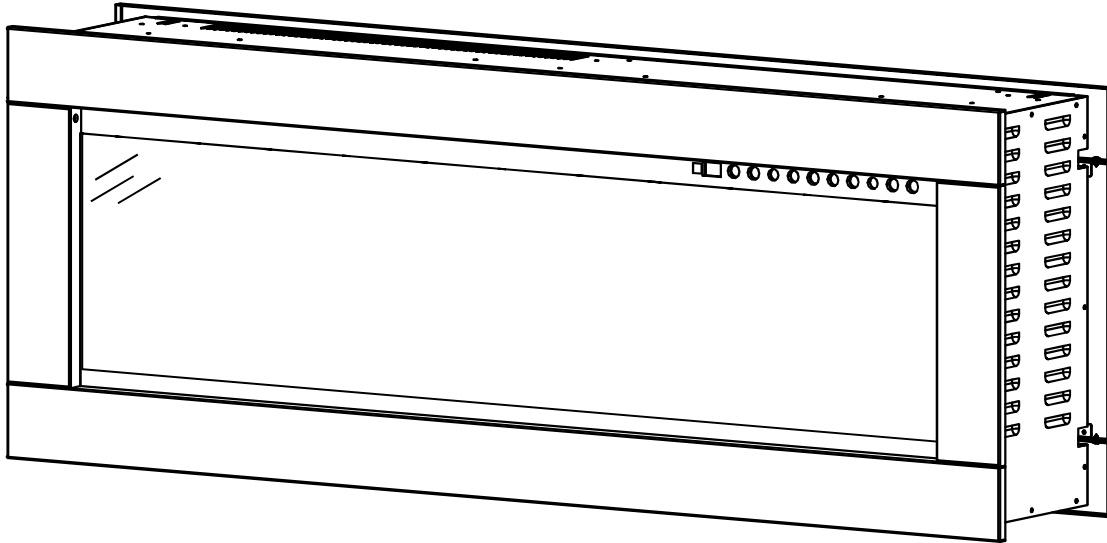


7200, Route Transcanadienne, Montréal, Québec H4T 1A3
24 Napoleon Road, Barrie, Ontario, Canada L4M 0G8
214 Bayview Drive, Barrie, Ontario, Canada L4N 4Y8
103 Miller Drive, Crittenden, Kentucky, USA 41030
De Riemsdijk 22, 4004 LC Tiel, Niederlande
napoleon.com



INSTALLATIE- EN BEDIENINGSHANDLEIDING

CLEARion™ Elite



VEILIGHEIDSINFORMATIE

WAARSCHUWING

BRAND- OF EXPLOSIEGEVAAR

Nalaten de informatie in deze instructies nauwlettend te volgen, kan brand of een explosie met materiële schade, persoonlijk letsel of overlijden tot gevolg hebben.

- Gebruik of bewaar geen benzine of andere ontvlambare dampen en vloeistoffen in de buurt van dit of enig ander apparaat.

INSTALLATEUR:

Laat deze handleiding bij het apparaat achter

EIGENAAR:

Bewaar deze handleiding voor toekomstig gebruik

ALLEEN VOOR GEBRUIK BINNENSHUIS



BRENG HET SERIENUMMER VAN DE DOOS AAN



www.tuv.com
ID 1419043031

Wolf Steel Europe BV
De Riemsdijk 22, 4004 LC Tiel, Nederland

WAARSCHUWING

- **Als het apparaat is uitgerust met een verwarming kan het apparaat tijdens gebruik heet worden en bij aanraking ernstige brandwonden veroorzaken.**
- Gebruik het apparaat niet voordat u de bedieningsinstructies hebt gelezen en begrepen. Als het apparaat niet volgens de bedieningsinstructies wordt gebruikt, kan dit tot brand of letsel leiden.
- Installeer geen beschadigde, onvolledige of vervangende onderdelen.
- Brand geen hout of andere materialen in dit apparaat.
- Alle elektrische apparaten bevatten hete onderdelen en kunnen vonkoverslag of vonken veroorzaken. Gebruik het apparaat niet in omgevingen waar een gasleiding, verf of ontvlambare vloeistoffen aanwezig zijn.
- Alle veiligheidsrekken of haardschermen die voor onderhoud zijn verwijderd, moeten worden teruggeplaatst voordat u het apparaat gebruikt.
- Het is van groot belang dat de bedieningscompartimenten, de circulatieblower en de doorgang in het apparaat schoon worden gehouden. Het apparaat moet vóór gebruik en ten minste eenmaal per jaar worden geïnspecteerd door een erkende servicemonteur. U moet het apparaat mogelijk vaker reinigen als gevolg van overmatige pluis van vloerbedekking, beddengoed, etc. De ruimte rond het apparaat mag geen brandbare materialen, benzine of andere ontvlambare dampen en vloeistoffen bevatten.
- Dit apparaat mag in geen geval worden gemodificeerd.
- Gebruik dit apparaat niet als een deel ervan onder water is geweest. Neem onmiddellijk contact op met een erkende servicemonteur om het apparaat te laten inspecteren en om de onderdelen van het regelsysteem te vervangen die onder water zijn geweest.
- Als het apparaat is uitgerust met het glasfront, mag u het apparaat niet bedienen als de glazen deur is verwijderd, gebarsten of gebroken. Het glas moet worden vervangen door een bevoegde of erkende servicemonteur. Gooi of sla de glazen deur van het apparaat niet dicht.
- Houd het verpakkingsmateriaal buiten het bereik van kinderen en voer het materiaal op een veilige manier af. Net als een plastic zak is verpakkingsmateriaal geen speelgoed, en moet uit de buurt van kinderen en baby's worden gehouden.
- Onderhoud mag alleen worden uitgevoerd als het apparaat is losgekoppeld van het elektriciteitsnet.
- Haal altijd de stekker uit het stopcontact wanneer u het apparaat niet gebruikt.
- Gebruik dit apparaat niet als het snoer of de stekker beschadigd is nadat het apparaat defect geraakt is of gevallen of beschadigd is. Breng het apparaat naar een erkende onderhoudsdienst voor controle, elektrische of mechanische afstelling of reparatie.
- Niet buitenshuis gebruiken.
- Als u dit apparaat in een ruimte installeert waar water aanwezig is, moet de installatie voldoen aan de voorschriften voor ruimtes met een verhoogd gevaar voor elektrische schokken en elektrocutie.

opmerking:

Dit apparaat is NIET geschikt voor installatie in een badkamer.

- Leg het snoer niet onder vloerbedekking. Bedek het snoer niet met vloerkleden, lopers of vergelijkbare attributen. Houd het snoer uit looppaden om ervoor te zorgen dat niemand erover struikelt.
- Alleen aansluiten op een goed geaard stopcontact.
- Zorg dat er geen voorwerpen in de ventilatie- of uitlaatopeningen komen, omdat dit elektrische schok of brand kan veroorzaken of het apparaat kan beschadigen.
- Het is normaal dat uw elektrische apparaat geluid maakt, vooral wanneer het in een stille ruimte zoals een slaapkamer wordt geïnstalleerd.

WAARSCHUWING

- Om een eventuele brand te voorkomen, mag u de luchtinlaat of uitlaat op geen enkele wijze blokkeren. Gebruik het apparaat niet op zachte oppervlakken, zoals een vloerkleed, waar openingen geblokkeerd kunnen raken.
- Sluit apparaten altijd rechtstreeks aan op een wandcontactdoos/stopcontact. Gebruik nooit een verlengsnoer of een verplaatsbare stekkerdoos (verdeeldoos).
- Deze elektrische apparaten zijn alleen getest en bedoeld voor gebruik met de optionele accessoires die in deze instructies worden vermeld. Door optionele accessoires te gebruiken die niet specifiek voor dit apparaat zijn getest, kan de garantie vervallen en/of veiligheidsgevaar ontstaan.

Voor apparaten die zijn uitgerust met een verwarming:

- Gevaar voor brandwonden. Schakel het apparaat uit en laat het afkoelen voordat u onderhoud uitvoert. U kunt de stroom uitschakelen door het apparaat uit te zetten en de stekker uit het stopcontact te halen.
- Houd toezicht op jonge kinderen die zich in dezelfde ruimte als het apparaat bevinden. Peuters, jonge kinderen en anderen lopen het risico zich per ongeluk te branden. Als er personen uit kwetsbare groepen in huis zijn, adviseren we een fysieke barrière te gebruiken. Om te beperken wie bij een apparaat of fornuis kan komen, plaatst u een verstelbaar veiligheidshek dat peuters, jonge kinderen en andere kwetsbare personen uit de kamer en uit de buurt van hete oppervlakken houdt.
- Leg geen kleding of ander brandbaar materiaal op of in de buurt van het apparaat.
- Vanwege de hoge temperatuur mag dit apparaat niet in looppaden en vlak bij meubels en gordijnen worden geplaatst.
- Tref voldoende veiligheidsmaatregelen om te voorkomen dat baby's/peuters de hete oppervlakken kunnen aanraken.
- Zelfs nadat het apparaat is uitgeschakeld, blijven het glas en/of het scherm nog geruime tijd heet.
- Neem contact op met uw plaatselijke leverancier van kachels en haarden voor veiligheidsrekken en haardschermen om kinderen te beschermen tegen hete oppervlakken. Deze schermen en rekken moeten aan de vloer worden bevestigd.
- Zorg dat u bij het bouwen van een mantel of planken boven het apparaat voldoende afstand houdt tot brandbare stoffen. Doordat de muur of de lucht boven het apparaat opwarmt, kunnen decoraties, tv's of andere elektronische componenten smelten, verkleuren of beschadigen.

 **WAARSCHUWING:** Dit product kan u blootstellen aan chemicaliën zoals lood en loodverbindingen, die in de staat Californië bekend staan als kankerverwekkend, en aan chemicaliën zoals BBP en DEHP, die in de staat Californië bekend staan als stoffen die geboorteafwijkingen of andere reproductieve schade veroorzaken. Ga voor meer informatie naar www.P65Warnings.ca.gov.

inhoudsopgave

NL

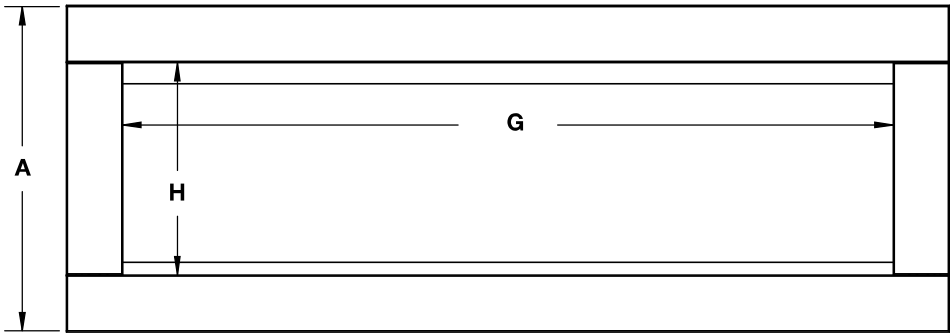
1.0	algemene informatie	95
1.1	afmetingen	95
1.2	productinformatie	96
1.3	algemene instructies	96
1.4	lijst met onderdelen	96
1.5	apparaat uitpakken	97
1.6	informatie typeplaatje	97
1.7	magnetische knoppen	98
2.0	installeren	99
2.1	de locatie van het apparaat	99
2.2	het apparaat van aarding voorzien	100
2.3	minimale afstand tot brandbare stoffen	100
2.4	minimale afstand tot de mantel	100
2.5	inbouwen	101
2.6	het apparaat installeren	102
3.0	elektriciteit	104
3.1	bedradingsschema	104
3.2	installeren via vaste bedrading	105
3.3	aansluiten van de vaste bedrading	106
4.0	afwerking	107
4.1	verwijderen/installeren van het glazen voorpaneel	107
4.2	verwijderen/installeren van het glazen voorpaneel	107
4.3	installeren van media	108
4.3.1	installeren van rivierrots en drijfhoutblok	108
4.3.2	installeren van de witte kiezelsteentjes	108
5.0	bedieningsinstructies	109
5.1	aan/uit-knop	109
5.2	bediening met het aanraakscherm en de afstandsbediening	109
5.3	timerinstellingen op de afstandsbediening	112
5.3.1	huidige dag en tijd instellen	112
5.3.2	AAN/UIT-tijd en -temperatuur op een wekelijkse cyclus instellen	112
5.4	waarschuwing voor open raam	113
6.0	onderhoud	114
6.1	schoonmaken	114
7.0	vervangingsonderdelen	115
7.1	overzicht	116
8.0	accessoires	117
8.1	accessoires	117
9.0	probleemoplossing	118
10.0	garantie	119

opmerking:

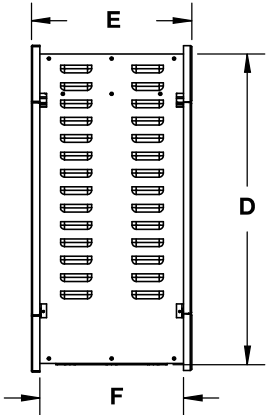
De informatie in deze handleiding wordt verondersteld juist te zijn op de datum waarop het is gedrukt. Wolf Steel Ltd. behoudt zich het recht voor om informatie in deze handleiding zonder voorafgaande kennisgeving te wijzigen. Andere wijzigingen dan redactionele wijzigingen worden aangegeven met een verticale lijn in de kantlijn.

1.1 afmetingen

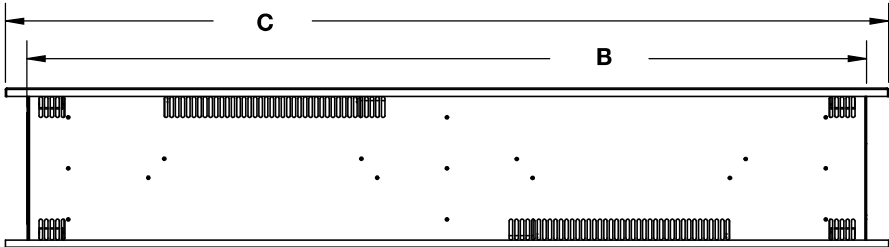
vooraanzicht



zijaanzicht rechts



bovenaanzicht



A	B	C	D	E	F	G	H
18 3/8" (467mm)	47 9/16" (1208mm)	50" (1270mm)	17 5/8" (447mm)	9 1/16" (231mm)	8 1/8" (207mm)	43 5/8" (1108mm)	12 1/16" (306mm)

algemene informatie

NL

1.2 productinformatie

Dit apparaat is getest volgens de CSA-normen voor vaste en locatie-specifieke elektrische binnenhuisapparatuur in de Verenigde Staten en Canada. Voor hulp bij het installeren neemt u contact op met uw plaatselijke dealer.

	NEFBD50HE-EU
Omschrijving	Transparant elektrisch apparaat
Type	Elektrisch apparaat
Spanning	220-240 V wisselspanning
Vermogen	1750 - 2000 W
Stroom	Eigen geaard circuit van 15 A
Nettogewicht	46 kg (101,4 lbs)
Brutogewicht	59,5 kg (131,2 lbs)

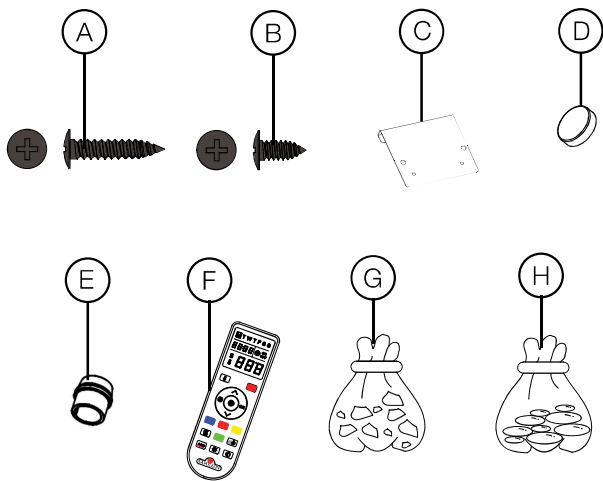
1.3 algemene instructies

- Het apparaat kan een lichte, onschadelijke geur afgeven wanneer het voor het eerst wordt gebruikt. Deze geur is normaal en eenmalig en wordt afgegeven door interne elementen die voor het eerst worden verwarmd.
- Als het apparaat geen warmte afgeeft als dat wel zou moeten, raadpleegt u het hoofdstuk 'bedieningsinstructies' in deze handleiding voor meer informatie.
- Leg het netsnoer niet direct onder het apparaat.

Dit elektrische apparaat voldoet aan de constructie- en veiligheidsnormen van H.U.D. voor toepassingen in gefabriceerde huizen indien geïnstalleerd volgens deze instructies.

Net als bij de meeste elektronische apparaten is uw nieuwe apparaat ontworpen voor gebruik bij een temperatuur tussen de 5 °C (41 °F) en 35 °C (95 °F). Laat het apparaat tijdens de koudere wintermaanden eerst op kamertemperatuur komen voordat u het inschakelt.

1.4 lijst met onderdelen



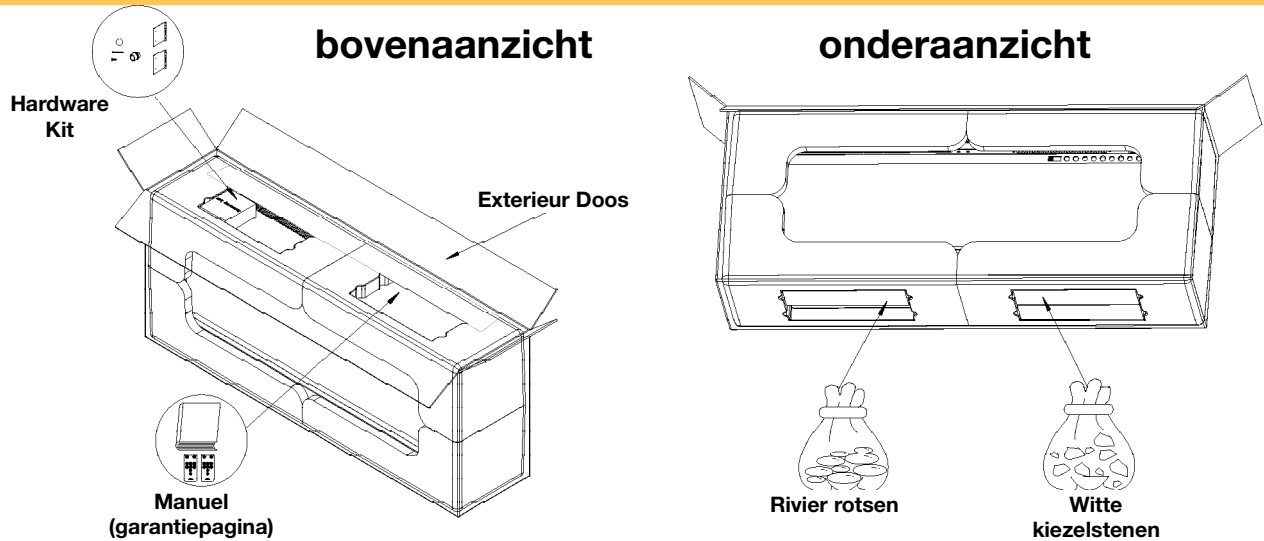
Ref.	Omschrijving	Aantal
A	Metaalschroeven (zwart)	4
B	Metaalschroeven (zwart)	12
C	Montagebeugel	2
D	Magnetische knoppen	8
E	Trekontlasting	1
F	Afstandsbediening	2
G	Witte kiezelsteentjes	2 zakken
H	Rivierrots	2 zakken
I	Drijfhoutblokken	2 sets



1.5 apparaat uitpakken

⚠ WAARSCHUWING

- Haal het apparaat voorzichtig uit de doos.



opmerking:

Op de zijkanten van het apparaat zijn medium-density fibreboards (mdf) bevestigd. Zie het hoofdstuk 'het apparaat installeren' voor meer informatie over verwijdering.

1.6 informatie typeplaatje

ELECTRIC FIREPLACE. SUITABLE FOR BEDROOM AND BED-SITTING ROOM INSTALLATION. SUITABLE FOR MOBILE HOME INSTALLATION.

VOLTAGE: 220-240 VAC
 FREQUENCY: 50Hz
 POWER: 1750-2000W
 DATE CODE: XXXXX

MODELS

NEFBD50HE-EU CEFBD50HE-EU

Manufacturer: Wolf Steel Ltd.
 24 Napoleon Road,
 Barrie, ON, L4M 0G8 Canada

Importer: Wolf Steel Europe BV
 De Riemsdijk 22, 4004 LC Tiel,
 The Netherlands

DESIGNED IN NORTH AMERICA
 BY WOLF STEEL LTD.
 MADE IN CHINA

SERIAL NUMBER: NEFBD000000 W385-2593

CE, TÜV Rheinland ZERTIFIZIERT, GS, RoHS, Reach, www.tuv.com ID: 1418043031

Deze afbeelding dient uitsluitend ter illustratie. Raadpleeg het typeplaatje op het apparaat voor de juiste informatie.

opmerking:

Het typeplaatje moet altijd op het apparaat blijven. Het mag niet worden verwijderd.

algemene informatie

NL

1.7 magnetische knoppen

Uw apparaat beschikt over magnetische knoppen (zie de hoofdstukken 'lijst met onderdelen' en 'reserveonderdelen' voor meer informatie). **De knoppen zijn optioneel en louter decoratief.**

Als u ze gebruikt, plaats de magnetische knoppen dan op de vier hoeken van de sierrand van het apparaat (**Afb. 1-1**). Vermijd glijden, dit kan krassen veroorzaken op het geverfde oppervlak.



Afb. 1-1

! WAARSCHUWING

- Brandgevaar! Het netsnoer mag niet tegen een scherpe rand geklemd zitten. Zet het snoer vast om struikelen of vasthaken te voorkomen en de kans op brandgevaar, een elektrische schok of persoonlijk letsel te beperken. Leg het snoer niet onder vloerbedekking. Bedek het snoer niet met vloerkleden, lopers of vergelijkbare attributen. Houd het snoer uit looppaden om ervoor te zorgen dat niemand erover struikelt.
- Brandgevaar! Om een eventuele brand te voorkomen, mag u de luchtinlaat of uitlaat op geen enkele wijze blokkeren. Gebruik het apparaat niet op zachte oppervlakken waar openingen kunnen worden geblokkeerd.
- Brandgevaar! Blaas of plaats geen isolatie tegen het apparaat.
- Dit elektrische apparaat is alleen getest en bedoeld voor gebruik met de goedgekeurde optionele accessoires. Door optionele accessoires te gebruiken die niet specifiek voor dit elektrische apparaat zijn getest, kan de garantie vervallen en/of veiligheidsgevaar ontstaan.
- Nalaten de informatie in deze instructies nauwlettend te gebruiken, kan brand of een explosie met materiële schade, persoonlijk letsel of overlijden tot gevolg hebben. Bewaar of gebruik geen benzine of andere ontvlambare dampen in de buurt van dit of enig ander apparaat.
- Dit apparaat is zwaar. Het wordt sterk aanbevolen om dit apparaat met twee personen te installeren.
- Voor apparaten die zijn uitgerust met een verwarming, moet worden gezorgd dat de ventilatieopeningen op geen enkele wijze kunnen worden afgedekt, om brandgevaar te vermijden.
- Leg het netsnoer niet horizontaal, direct onder het apparaat.

Dit is een transparant elektrisch apparaat dat in een muur wordt ingebouwd. Kies een geschikte, niet-vochtgevoelige locatie uit de buurt van gordijnen, meubels en looppaden.

opmerking:

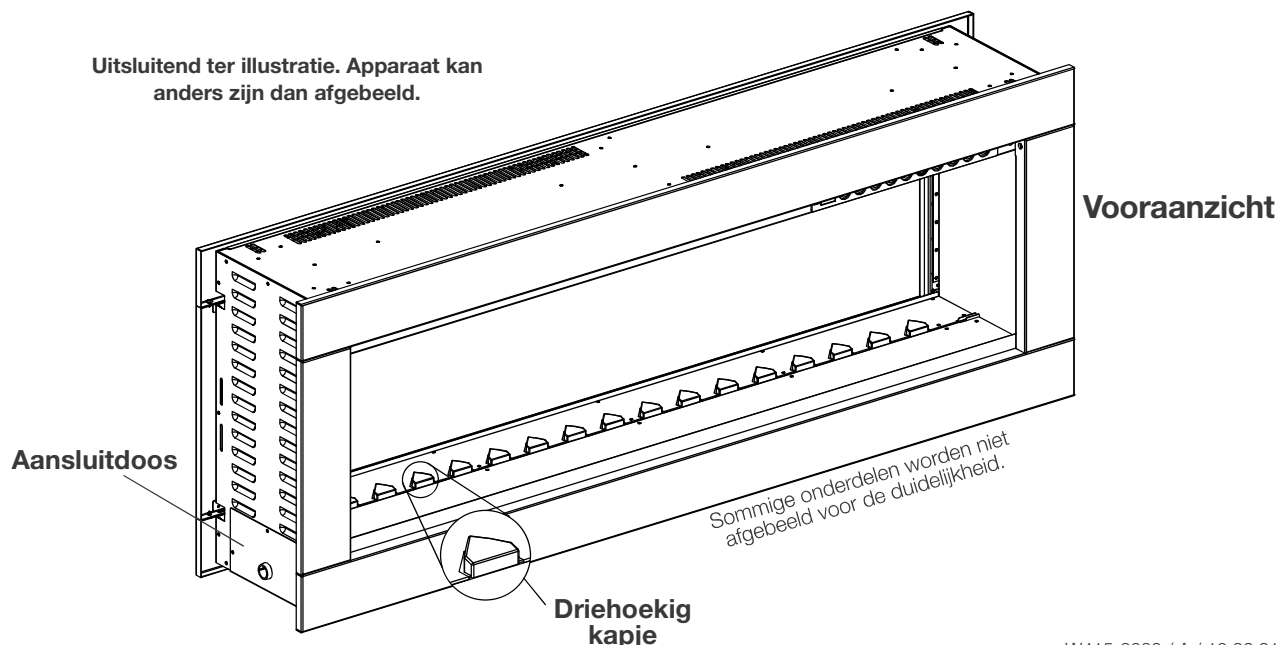
Houd u aan alle nationale en plaatselijke elektrische voorschriften.

2.1 de locatie van het apparaat

! WAARSCHUWING

- Vanwege de hoge temperatuur mag dit elektrische apparaat niet in looppaden worden geplaatst. Houd brandbare materialen zoals meubels, kussens, beddengoed, papier, kleding, gordijnen en soortgelijke voorwerpen minstens 91 cm (36 inch) van de voorzijde van het apparaat verwijderd.
- Plaats dit elektrische apparaat nooit ergens waar het in een badkuip of ander waterbassin kan vallen.
- Draag tijdens installatie en onderhoud veiligheidshandschoenen en een veiligheidsbril.
- Om aanraking met doorgezakte of losse isolatie te voorkomen, mag het apparaat niet worden geïnstalleerd tegen een vochtscherm of blootliggende isolatie. Hierdoor kan lokale oververhitting en brand optreden.
- Stel het apparaat niet bloot aan het weer (regen, etc.).

Om de voorzijde van het apparaat te bepalen, zorgt u ervoor dat de aansluitdoos zich aan de linkerzijde bevindt en de driehoekige kapjes zich aan de andere zijde van de vuurbak bevinden (zie hieronder).



installeren

2.2 het apparaat van aarding voorzien

! WAARSCHUWING

- Dit apparaat is geschikt voor gebruik met 220 volt en 240 volt.
- Voor dit apparaat is een vaste/geaarde voedingsbron **verplicht**.
- Dit apparaat moet aangesloten worden op een eigen circuit van 15 A. Het gebruik van een verlengsnoer is **NIET** toegestaan.

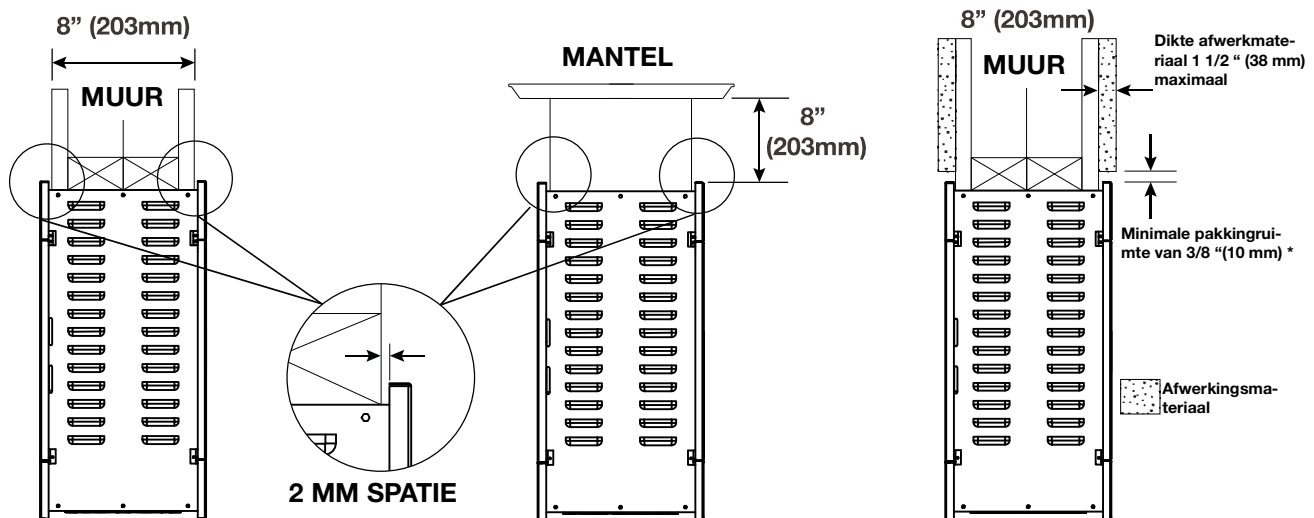
2.3 minimale afstand tot brandbare stoffen

Afmetingen vanaf het sierpaneel	
Onderzijde	0 cm
Zijkanten	0 cm
Voorzijde/achterzijde	914 mm (36 inch)
Mantel	203 mm (8 inch)

2.4 minimale afstand tot de mantel

! WAARSCHUWING

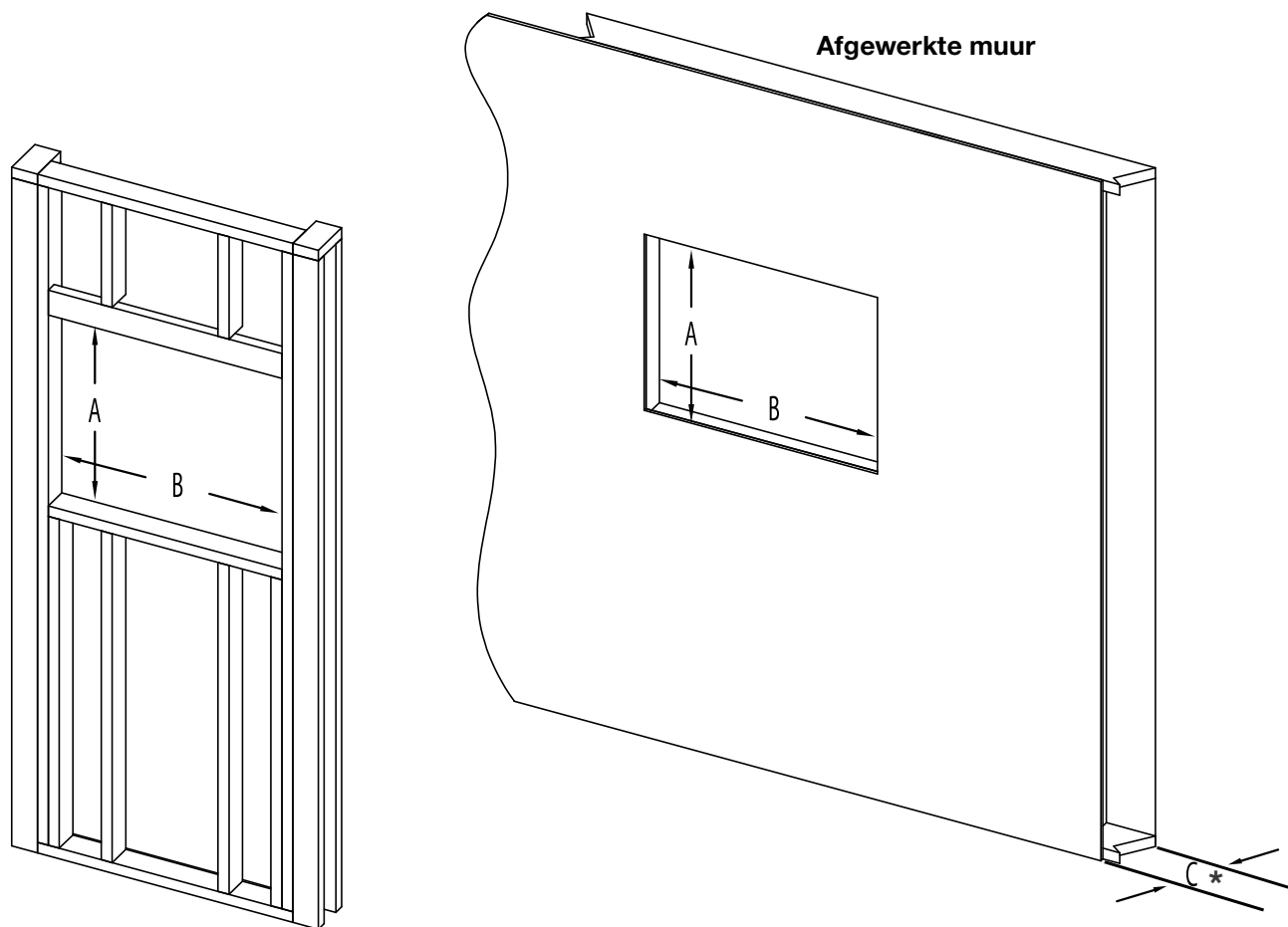
- Als u verf of lak gebruikt om de mantel af te werken, moet deze hittebestendig zijn om verkleuring te voorkomen.



opmerking:

* Als afwerkingsmaterialen bevestigd worden op de muur die al 203 mm (8 inch) dik is, dan moet er een afstand van 10 mm (3/8 inch) behouden worden bovenaan de afwerking om onderhoud van het apparaat mogelijk te maken.

2.5 inbouwen



A	17 15/16" (456mm)
B	49" (1245mm)
C	8" (203mm) max.
	4 1/2" (114mm) ** min

belangrijk:

* Deze afmetingen zijn inclusief de dikte van afwerkingsmaterialen.

** Accessoire voor diepe afwerking beschikbaar voor deze muurdikte (zie het hoofdstuk 'accessoires').

installeren

NL

2.6 het apparaat installeren

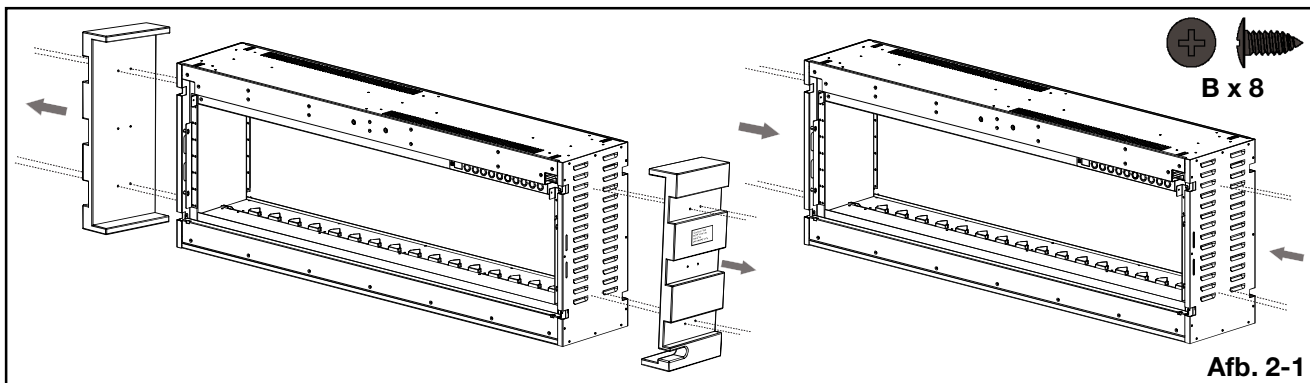
opmerking:

We raden u aan de wanden van de apparaatopening (met gipsplaat) te bedekken om te voorkomen dat blootliggende isolatie of het vochtscherm in aanraking komt met het apparaat. Zo weet u zeker dat er voldoende afstand is tot brandbare stoffen.

Muurankers zijn niet vereist wanneer er in de muurbalk geschroefd wordt.

Het is aanbevolen om een magnetische schroevendraaier te gebruiken bij de installatie om te voorkomen dat de schroeven in het apparaat vallen.

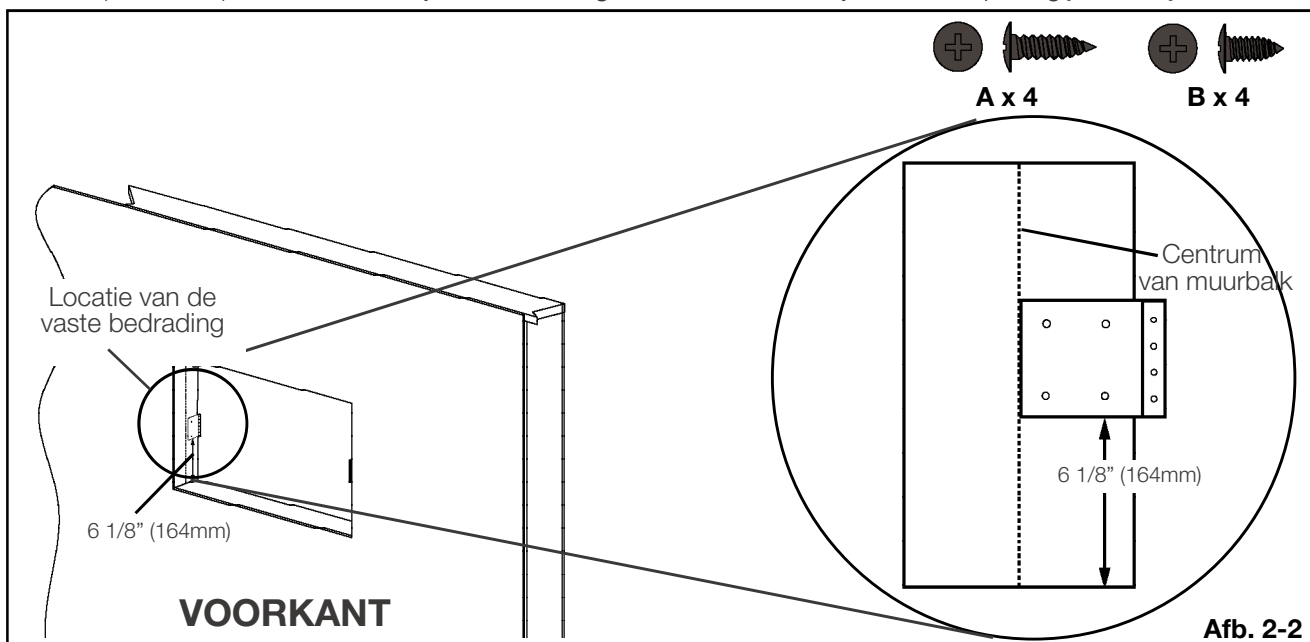
- A. Bouw een opening in (zie het hoofdstuk 'inbouwen' voor meer informatie).
- B. Maak verbindingen met vaste bedrading aan de linkerkant van de beoogde voorzijde.
- C. Verwijder het sierpaneel van het apparaat (zie het hoofdstuk 'verwijderen/installeren van het sierpaneel' voor meer informatie).
- D. Verwijder het glazen voorpaneel van het apparaat (zie het hoofdstuk 'verwijderen/installeren van het glazen voorpaneel').
- E. Verwijder de 2 mdf-ondersteuningsuiteinden van het apparaat door de schroeven te verwijderen. Gooi beide mdf-platen weg. Gebruik 4 nieuwe schroeven (meegeleverd) aan elke zijde om de schroefgaten van de mdf-platen te bedekken (Afb. 2-1).



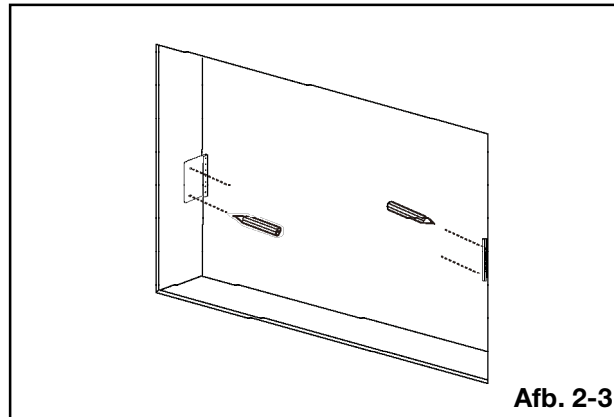
opmerking:

Bij de installatie worden 2 montagebeugels in tegenovergestelde hoeken gebruikt. Wanneer u naar de muurbalk kijkt vanaf het centrum van de opening, strekken de beugels zich naar rechts uit (Afb. 2-2).

- F. Markeer het centrum van de muurdiepte op de verticale muurbalk en installeer de montagebeugels door de rand van de beugels op gelijke hoogte te brengen met de markering van het centrum. Meet 164 mm (6 1/8 inch) vanaf de onderzijde van de beugel tot aan de onderzijde van de opening (Afb. 2-2).

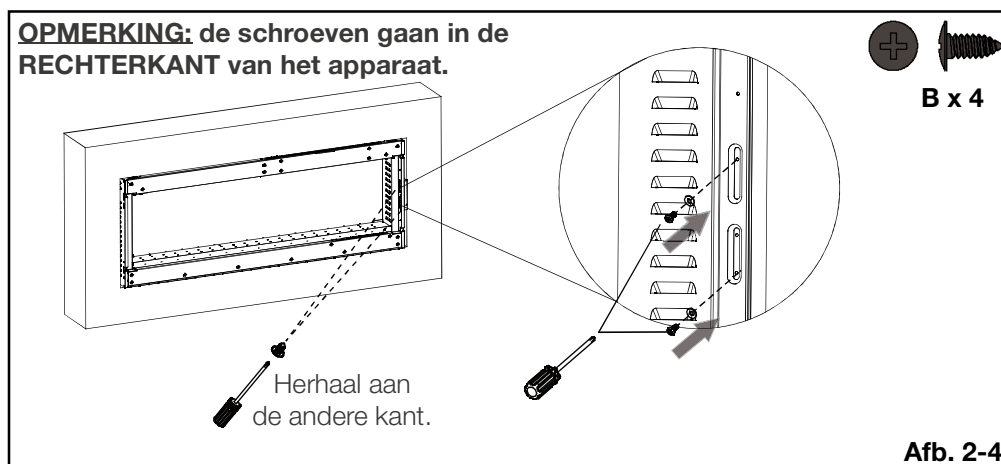


- G.** Markeer de gaten voor de montagebeugel. Zorg ervoor dat de gemarkeerde gaten zich aan tegengestelde kanten bevinden, aangezien de beugels niet aan dezelfde kant gemonteerd kunnen worden (**Afb. 2-3**).



Afb. 2-3

- H.** Boor de gemarkeerde gaten en bevestig de montagebeugels met schroeven (meegeleverd).
- I.** Plaats het apparaat in de opening, in een positie die het mogelijk maakt om de verbindingen met vaste bedrading te maken (zie het hoofdstuk 'vaste bedrading').
- J.** Plaats het apparaat volledig in de opening, tegen de montagebeugels. Breng het schroefgat van de beugel op gelijke hoogte met de sleuven aan de zijkant van het apparaat en draai de schroeven door de sleuven om het apparaat in de montagebeugels te bevestigen. Herhaal dit aan de andere kant (**Afb. 2-4**).



- K.** Installeer de media (zie het hoofdstuk 'installeren van media').
- L.** Plaats het glazen voorpaneel en het sierpaneel terug (zie de hoofdstukken 'verwijderen/installeren van het glazen voorpaneel' en 'verwijderen/installeren van het sierpaneel').

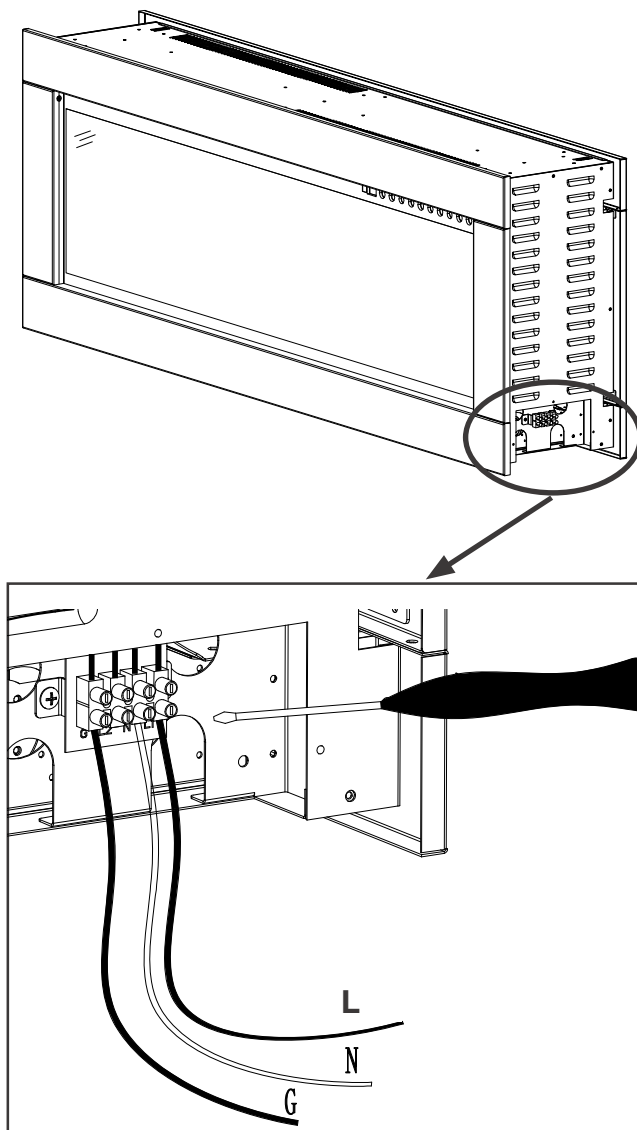
3.2 installeren via vaste bedrading

! WAARSCHUWING

- Schakel het apparaat volledig uit en laat het afkoelen voordat u onderhoud uitvoert. Dit elektrische apparaat mag alleen worden onderhouden en gerepareerd door een erkende onderhoudsmonteur.

Aansluiten van de vaste bedrading

Dit apparaat moet op vaste bedrading worden aangesloten. Een erkende elektricien moet het apparaat rechtstreeks op het elektriciteitsnet aansluiten.



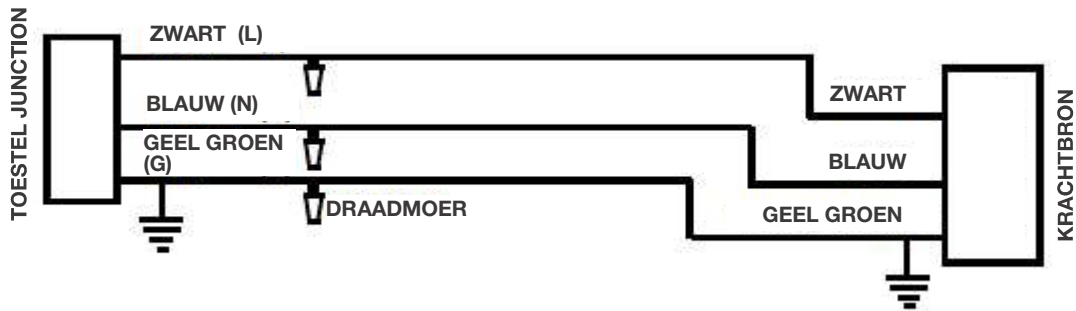
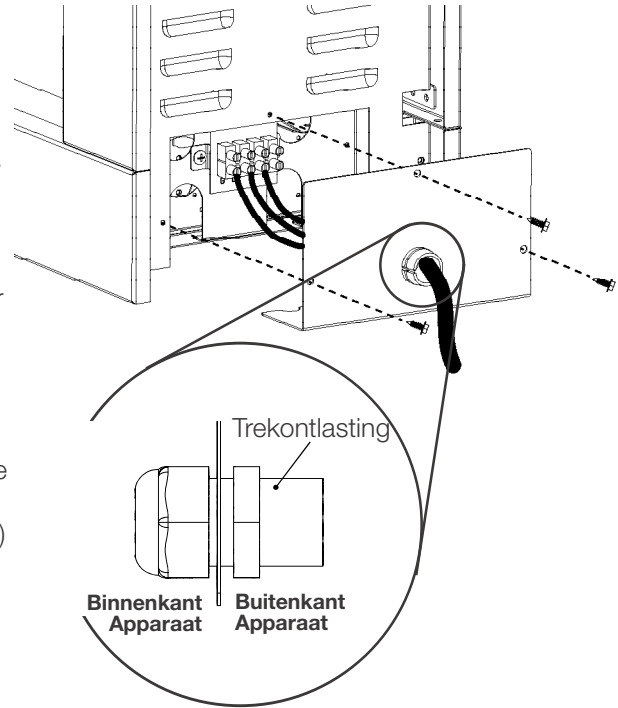
Vaste bedrading

elektriciteit

NL

3.3 aansluiten van de vaste bedrading

- A. Verwijder de afdekplaat door de 3 schroeven te verwijderen. Leg de schroeven opzij.
- B. Voeg een trekontlasting toe en voer de voedingsdraden door het gat van 22 mm (7/8 inch) vanaf het klemmenblok. Gebruik minimaal 14 AWG/3.
- C. Schroef de bevestigingsschroeven van het klemmenblok voor de gele en groene (G) draad los. Breng de gele en groene (G) draad of blanke koperdraad van de elektrische voeding in de daarvoor bestemde (G) sleuven in het klemmenblok. Bevestig door de schroeven aan te draaien op de (G) sleuven.
- D. Schroef de bevestigingsschroeven van het klemmenblok voor de blauwe (N) draad los. Breng de blauwe (N) draad van de elektrische voeding in de daarvoor bestemde (N) sleuven in het klemmenblok. Bevestig door de schroeven aan te draaien op de (N) sleuven.
- E. Schroef de bevestigingsschroeven van het klemmenblok voor de zwarte (L) draad los. Breng de zwarte (L) draad van de elektrische voeding in de daarvoor bestemde (L) sleuven in het klemmenblok. Bevestig door de schroeven aan te draaien op de (L) sleuven.
- F. Plaats de afdekplaat weer terug.



opmerking:

Laat voldoende draad over zodat het apparaat uit de behuizing kan worden verwijderd om toegang te krijgen tot de vaste bedrading.

Als verbindingen onjuist bedraad zijn, werkt het apparaat niet en maakt het een waarschuwingsgeluid (zoals een pieptoon).

4.1 verwijderen/installeren van het glazen voorpaneel

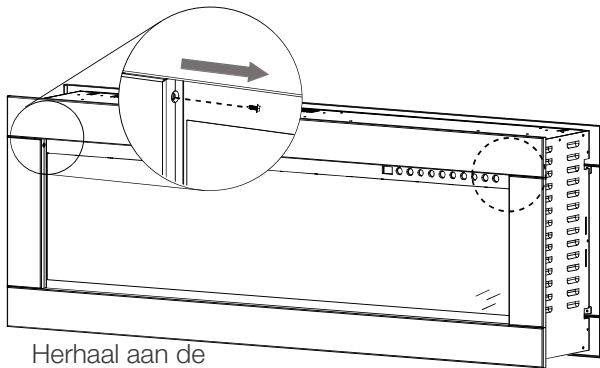
! WAARSCHUWING

- Haal de stekker uit het stopcontact en wacht tot het apparaat koel aanvoelt voordat u het sierpaneel of glazen voorpaneel verwijdert.
- Het sierpaneel kan zwaar en breekbaar zijn. Wees voorzichtig.

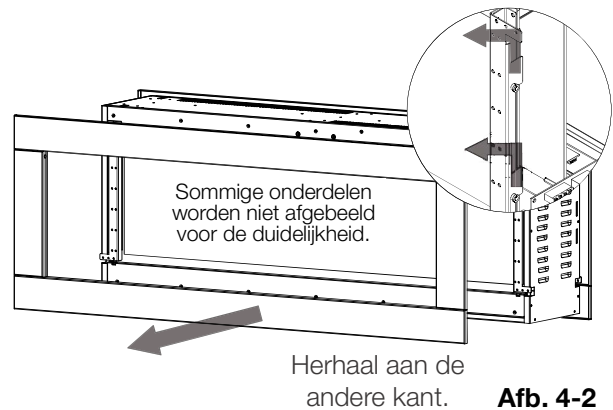
opmerking:

Stappen voor verwijdering/installatie zijn dezelfde voor beide kanten van het apparaat (voorkant en achterkant).

- Verwijder de 2 schroeven die het voorpaneel op zijn plaats houden (**Afb. 4-1**). Leg de schroeven opzij.
- Til het voorpaneel met twee mensen van de haken in de vuurbak (**Afb. 4-2**). Plaats het voorpaneel met de voorkant omlaag op een zacht, niet-schurend oppervlak.
- Voer deze stappen in omgekeerde volgorde uit om het voorpaneel terug te plaatsen.



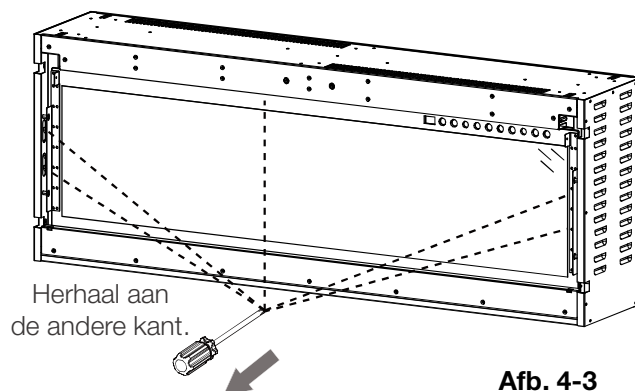
Afb. 4-1



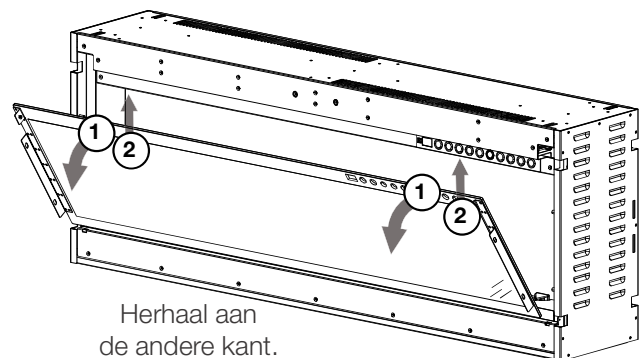
Afb. 4-2

4.2 verwijderen/installeren van het glazen voorpaneel

- Verwijder de 2 schroeven die het glazen voorpaneel op zijn plaats houden (**Afb. 4-3**).
- Til het glazen voorpaneel met twee mensen omhoog en weg van de zijpanelen (**afb. 5-2 en 5-3**). Plaats het glazen voorpaneel met de voorzijde omlaag op een zacht, niet-schurend oppervlak.
- Voer deze stappen in omgekeerde volgorde uit om het glazen voorpaneel terug te plaatsen.



Afb. 4-3



Afb. 4-4

4.3 installeren van media

Er zijn 2 media-opties voor dit apparaat: rivierrotsen en drijfhoutblokken, of witte kiezelsteentjes. Hieronder vindt u details over de installatie.

4.3.1 installeren van rivierrots en drijfhoutblok

Het glazen voorpaneel moet verwijderd worden en het apparaat moet op zijn definitieve locatie bevestigd worden voor de rivierrotsen en drijfhoutblokken geïnstalleerd kunnen worden.

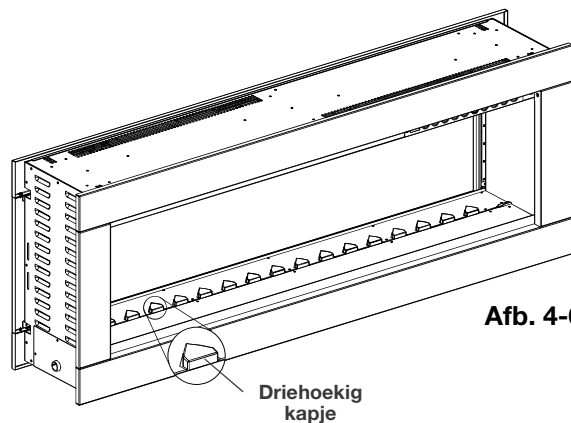
1. Plaats de rivierrotsen voorzichtig op de medialade aan de voor- en achterzijde van het apparaat.
2. Verdeel gelijkmatig over de hele breedte.
3. Plaats de drijfhoutblokken op de rivierrotsen zoals wordt afgebeeld (Afb. 4-5).

opmerking:

Bedek de driehoekige kapjes aan de achterkant van het apparaat NIET. Door de driehoekige kapjes te blokkeren met media, verandert het uiterlijk van de vlam (Afb. 4-6).



Afb. 4-5



Afb. 4-6

4.3.2 installeren van de witte kiezelsteentjes

De glazen voorzijde moet zijn verwijderd en het apparaat moet op de definitieve locatie zijn vastgezet voordat de witte kiezelsteentjes worden geplaatst.

1. Plaats de witte kiezelsteentjes voorzichtig op de medialade aan de voor- en achterzijde van het apparaat.
2. Verdeel de kiezelsteentjes gelijkmatig over de hele breedte (Afb. 4-7).

opmerking:

Bedek de driehoekige kapjes aan de achterkant van het apparaat NIET. Door de driehoekige kapjes te blokkeren met media, verandert het uiterlijk van de vlam (Afb. 4-6).



Afb. 4-7

! WAARSCHUWING

- Verwijder de afwerking niet terwijl het apparaat aan staat. Hierdoor werken de afstandsbediening en het aanraakscherm niet meer.

Zodra het apparaat met vaste bedrading is aangesloten op een eigen voeding van 220 - 240V, is het klaar voor gebruik

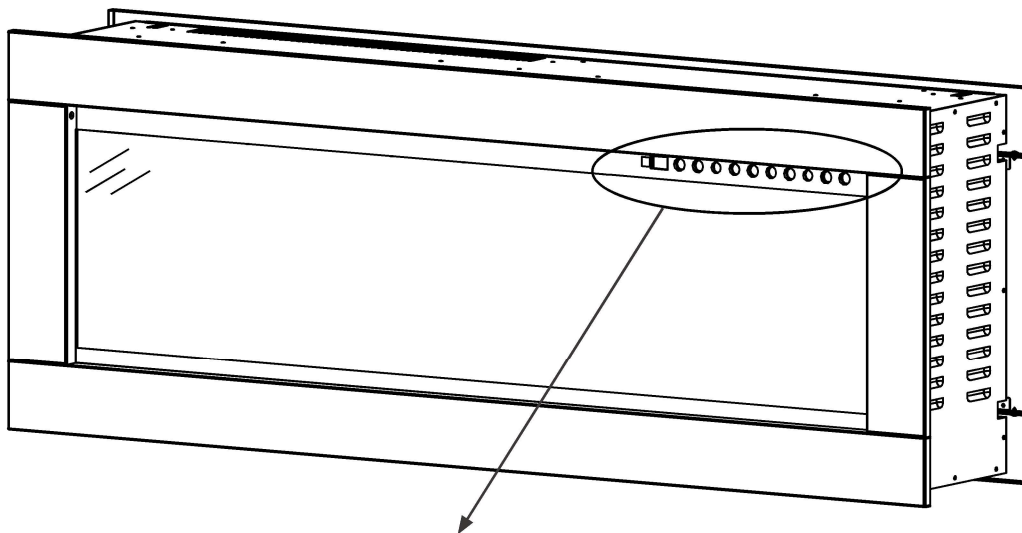
opmerking:

Zorg dat de stroomonderbrekers in de woning zijn ingeschakeld. Bij een stroomstoring verliest het apparaat de geheugenfunctie. Nadat de stroom weer is ingeschakeld, wordt het apparaat gereset naar de fabrieksmodus.

5.1 aan/uit-knop

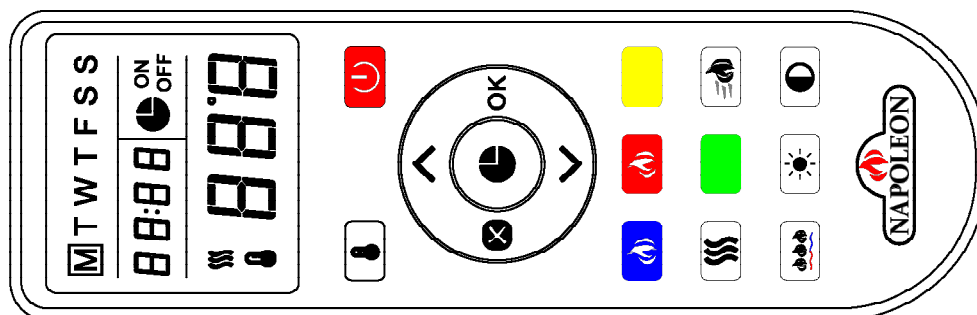
De aan/uit-knop bevindt zich in de rechterbovenhoek van het glazen paneel.

5.2 bediening met het aanraakscherm en de afstandsbediening



aanraakscherm

Uitsluitend ter illustratie. Aanraakscherm kan anders zijn dan afgebeeld.



afstandsbediening

opmerking:

Knoppen zonder iconen zijn te beschouwen als knoppen zonder functie.

bedieningsinstructies






NL

opmerking:






Wanneer enkel de **verwarming** is ingeschakeld (geen vlammen, geen sintelbedverlichting enz.), is het scherm gedimd en wordt H1 of de gekozen temperatuur weergegeven.

Wanneer enkel de **ventilator** is ingeschakeld (geen vlammen, geen sintelbedverlichting enz.), is het scherm gedimd en wordt VENTILATOR weergegeven.

Nadat de verwarming wordt uitgeschakeld, blijft de blazer nog 10 seconden draaien. Dit helpt om hitte uit het apparaat te verwijderen en de temperatuur te verlagen.

<p>Aan/uit</p>		<p>Schakelt apparaat aan en uit.</p>
<p>Regeling privacyglas</p>		<p>Regelt het privacyglas.</p> <p>Standen: G-1 - halftransparante modus (standaard) G-2 - volledig transparante modus G-0 - ontransparante mouds</p> <p>Houd de knop 5 seconden ingedrukt om het privacyglas te vergrendelen/ontgrendelen naar status G-0. Wanneer het wordt ontgrendeld, wordt het apparaat teruggezet naar G-1 (standaard).</p>
<p>Oranje vlam</p>		<p>Hiermee regelt u de helderheid van de oranje vlam.</p> <p>Standen: OF4 - helderste vlam OF3 - heldere vlam OF2 - zwakke vlam OF1 - zwakste vlam OF0 - Vlam uit</p>
<p>Blauwe vlam</p>		<p>Hiermee regelt u helderheid van de blauwe vlam.</p> <p>Standen: BF4 - helderste vlam BF3 - heldere vlam BF2 - zwakke vlam BF1 - zwakste vlam BF0 - vlam uit</p>
<p>Sintelbed Helderheid</p>		<p>Hiermee regelt u de helderheid van de sintelbedverlichting.</p> <p>OPMERKING: Als de kleur van het sintelbed is ingesteld op L16, dan kan de helderheid van het sintelbed niet gewijzigd worden.</p> <p>Standen: B5 - fade-in en fade-out F4 - helderst b3 - helder B-2 - zwak B1 - zwakst B-0 - uit</p>





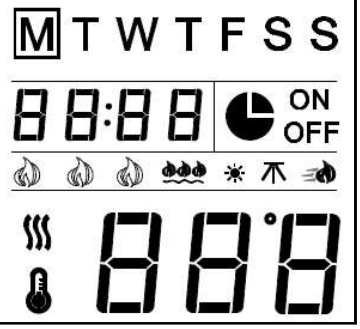
Gaat verder op de volgende pagina →

<p>Sintelbed Kleur</p>		<p>Hiermee regelt u de verlichting van het sintelbed.</p> <p>OPMERKING: Helderheid van het sintelbed moet tussen B-4 en B-1 zijn om kleur van het sintelbed te regelen.</p> <p>Standen: L01 - Oranje L02 - Rood L03 - Blauw L04 - Geel L05 - Groen L06 - Paars L07 - Hemelblauw L08 - Paarsrood L09 - Wit L10 - Roze L11 - Geelgroen L12 - Ijsblauw L13 - Oranjerood L14 - Lichtgroen L15 - Magenta L16 - Automatische cyclus L17 - Een kleur vastzetten tijdens cyclus L16</p>
<p>Vlamsnelheid</p>		<p>Regelt de vlamsnelheid.</p> <p>Standen: S-3, S-4, S-5, S-1, S-2</p>
<p>Verwarming</p>		<p>Hiermee schakelt u de verwarming en de blazer aan/uit.</p> <p>Standen: H0 - Verwarming en blazer uit VENTILATOR - Blazer aan H-1 - Verwarming aan (1000 W aan elke kant) LOC - Vergrendeling van verwarming en thermostaat</p> <p>OPMERKING: Houd de knop van de verwarming 5 seconden ingedrukt om de verwarming en thermostaat te vergrendelen/ontgrendelen.</p> <p>OPMERKING: Elke kant van het apparaat heeft een eigen verwarmingsregeling.</p>
<p>Timer</p>		<p>Stelt de timer in.</p> <p>Standen: 30 m, 1 u, 2 u, 3 u, 4 u, 5 u, 6 u, 7 u, 8 u.</p> <p>OPMERKING: Op het scherm wordt '---' weergegeven wanneer u de 9 timerstanden heeft doorlopen.</p>
<p>Temperatuur regelaar</p>		<p>Stelt de gewenste temperatuur in.</p> <p>Standen: 18°C (64°F), 19°C (66°F), 20°C (68°F), 21°C (70°F), 22°C (72°F), 23°C (74°F), 24°C (76°F), 25°C (78°), 26°C (80°F), 27°C (82°F) en UIT.</p> <p>Om te schakelen tussen °C en °F, houdt u de knop voor temperatuurregeling 5 seconden ingedrukt.</p>

bedieningsinstructies

NL



5.3 timerinstellingen op de afstandsbediening

 Timer: Geeft de huidige dag, tijd en week weer. Druk hierop om de timerinstellingen in te voeren of te bevestigen.		
OK Instellingen: Druk hierop om naar de volgende stap te gaan (gebruik met de timerknop). Druk hierop om de weektimer te bevestigen.		
 Terug: Druk hierop om de timerinstellingen te wissen. Druk hierop om terug te keren naar de vorige stap (gebruik met de instellingenknop).		
 Omhoog en omlaag: Gebruik met de instellingenknop.		
Lcd-scherm		
Dag van de week: _____ ma di wo do vr za zo		OPMERKING: De functies kunnen alleen worden gewijzigd als de bijbehorende letters of cijfers knipperen. OPMERKING: Stel de timer in op de huidige tijd vóór de weekinstellingen.
Tijdsweergave: _____		
Huidige tijd/timer van 00:00 tot 24:00 OPMERKING: 00-12:00 is AM / 13:00 - 24:00 is PM		

5.3.1 huidige dag en tijd instellen

1. Druk eenmaal op . Wanneer 'MA' (maandag) gaat knipperen, selecteert u met  de huidige dag. Druk op OK om de instelling op te slaan.
2. Wanneer het uur gaat knippen, selecteert u met  het huidige uur. Druk op OK om de instelling op te slaan.
3. Wanneer de minuten gaan knipperen, selecteert u met  de huidige minuten. Druk op OK om de instelling op te slaan.

5.3.2 AAN/UIT-tijd en -temperatuur op een wekelijkse cyclus instellen

1. Druk eenmaal op . Wanneer 'MA' (maandag) gaat knipperen, selecteert u met  de huidige dag. Druk op OK om de instelling op te slaan.

opmerking:

De timer kan alleen worden ingesteld in stappen van 30 minuten (bijv. 00:00 - 00:30, 00:30 - 01:00 enz.).

2. Wanneer '--:--' gaat knipperen, selecteert u met  het gewenste uur en de gewenste minuten waarop de verwarming moet inschakelen. Druk op OK om de instelling op te slaan. U kunt altijd op  drukken om de cijfers te wissen en de 'AAN'-timer uit te schakelen.
3. Wanneer '18' gaat knipperen, selecteert u met  de gewenste temperatuur voor maandag.

opmerking:

Als de temperatuur al eerder is ingesteld, wordt die waarde weergegeven in plaats van '18'.

4. Wanneer '--:--' gaat knipperen, selecteert u met  het gewenste uur en de gewenste minuten waarop de verwarming moet uitschakelen. Druk op OK om de instelling op te slaan. U kunt altijd op  drukken om de cijfers te wissen en de 'UIT'-timer uit te schakelen.

5. Herhaal stap 1 t/m 4 om de 'AAN/UIT'-tijd en temperatuur voor woensdag, donderdag, vrijdag, zaterdag en zondag in te stellen.
6. Druk op OK om het programmeren te voltooien waarbij u de afstandsbediening op de ontvanger in het midden van het apparaat richt. Het apparaat piept één keer om te bevestigen dat het programmeren is geslaagd.

5.4 waarschuwing voor open raam

Als de kamertemperatuur binnen drie minuten tien graden daalt, gaat het apparaat ervan uit dat er vlakbij een raam openstaat. Om energie te besparen, schakelt de verwarming automatisch over van hoge warmte naar lage warmte. Als de verwarming al op lage warmte staat, wordt het apparaat volledig uitgeschakeld.

Wanneer u van hoge warmte naar lage warmte overschakelt, piept het apparaat drie keer en knippert '88' drie keer op het digitale display, waarna de huidige verwarmingsstatus wordt weergegeven.

Wanneer u overschakelt van lage warmte naar uit, piept het apparaat drie keer en blijft '88' op het digitale display knipperen.

Raadpleeg het hoofdstuk 'bediening met de afstandsbediening' om de verwarmingsfunctie te resetten.

6.0 onderhoud

NL

6.1 schoonmaken



WAARSCHUWING

- Schakel de verwarming altijd uit en trek de stekker uit het stopcontact voordat u dit apparaat gaat schoonmaken, onderhouden of verplaatsen. Als u dat niet doet, loopt u het risico op elektrische schokken, brand of persoonlijk letsel.
- Dompel nooit onder in water en bespreek nooit met water. Als u dat doet, loopt u het risico op elektrische schokken, brand of persoonlijk letsel.

Metaal:

- Veeg schoon met een zachte doek, lichtjes bevochtigd met een product op basis van citrusolie.
- Gebruik geen koperpoets of huishoudelijke schoonmaakmiddelen, aangezien deze producten de metalen afwerking beschadigen.

Glas:

- Gebruik een schoonmaakmiddel van hoge kwaliteit, verneveld op een doek of handdoek. Droog grondig met keukenpapier of een pluisvrije doek.
- Gebruik nooit schurende reinigingsmiddelen, vloeibare sprays of reinigingsmiddelen die krassen kunnen veroorzaken op het oppervlak.

Ventilatieopeningen:

- Gebruik een vacuüm of stofdoek om stof en vuil van de verwarmings- en ventilatie-elementen te verwijderen.

Kunststof:

- Veeg zacht af met een licht vochtige doek en een milde zeepoplossing.
- Gebruik nooit schurende reinigingsmiddelen, vloeibare sprays of reinigingsmiddelen die krassen kunnen veroorzaken op het oppervlak.

WAARSCHUWING

- Nalaten de onderdelen in overeenstemming met deze handleiding te plaatsen of uitsluitend onderdelen te gebruiken die speciaal voor dit apparaat zijn goedgekeurd, kan materiële schade of persoonlijk letsel tot gevolg hebben.

Neem contact op met uw dealer voor vragen over prijzen en ons beleid wat betreft vervangende onderdelen. Normaal gesproken kunnen alle onderdelen via uw erkende dealer/distributeur worden besteld.

Voor toekenning van een claim voor vervangende onderdelen onder garantie moet een fotokopie van de originele factuur worden overlegd.

Vermeld bij het bestellen van vervangingsonderdelen altijd de volgende informatie:

- Model en serienummer van het apparaat
- Installatiedatum van het apparaat
- Onderdeelnummer
- Omschrijving van het onderdeel
- Afwerking

Onderdelen, onderdeelnummers en verkrijgbaarheid kunnen zonder kennisgeving worden gewijzigd.

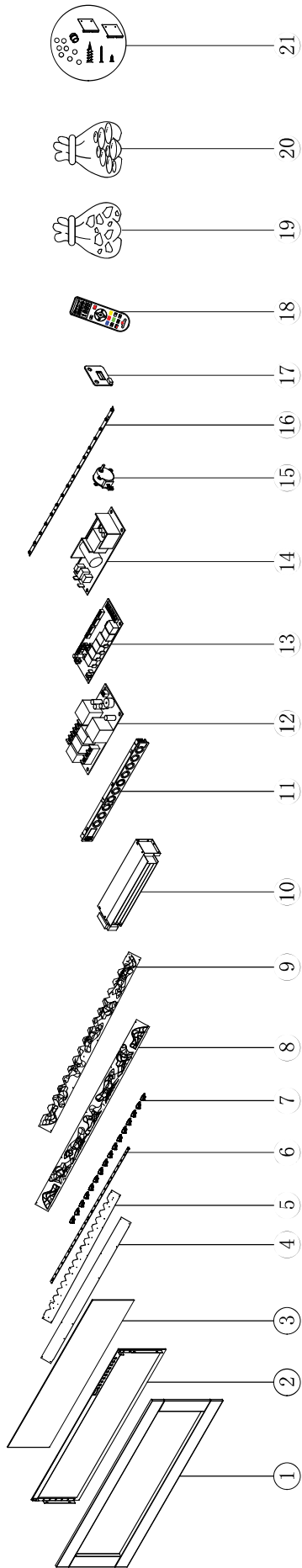
Onderdelen waarvan is vastgesteld dat ze op voorraad zijn, worden voor de meeste bestemmingen binnen 2 tot 5 werkdagen geleverd.

Onderdelen die niet op voorraad zijn, worden in de meeste gevallen binnen 2 tot 4 weken geleverd.

Onderdelen die worden aangeduid als 'SO' (special order) zijn speciale bestellingen en kunnen een levertijd tot 90 dagen hebben.

vervangingsonderdelen

7.1 overzicht



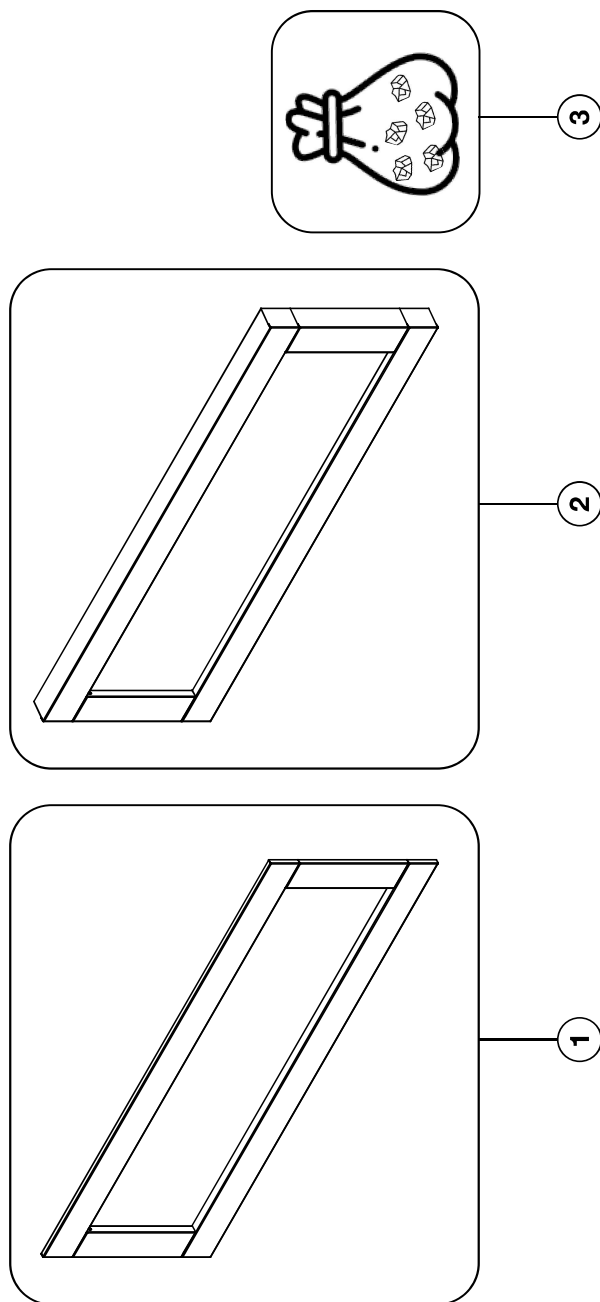
Items kunnen anders zijn dan afgebeeld.

Referentiernr.	Onderdeelnr.	Kwantiteit	Omschrijving	Op voorraad	Referentiernr.	Onderdeelnr.	Kwantiteit	Omschrijving	Op voorraad
1	W715-1227-SER	2	Sierlijst voorzijde, zwart	Ja	13	W190-0223	1	Belangrijkste printplaat	Ja
2	W300-0313-SER	2	Voorruit	Ja	14	W190-0179-SER	1	Motor voor het privacyglas	Ja
3	W300-0314-SER	1	Privacy glas	Ja	15	W435-0090-SER	1	Stappenmotor	Ja
4	W497-1608-SER	1	Voorste medialade	Ja	16	W405-0083-SER	1	LED-lampjes voor de vlam	Ja
5	W497-1609-SER	1	Medialade aan de achterkant	Ja	17	W690-0021	2	Thermostaat	Ja
6	W405-0085-SER	2	LED-verlichting voor het sinterbed	Ja	18	W190-0224	2	Afstandsbediening	Ja
7	W405-0084-SER	16	Driehoekig kapje	Ja	19	W497-1634	2	Witte kiezelstenen	Ja
8	W135-0936-SER	1	Voorste logsamenstelling	Ja	20	W497-1635	2	Rivier rotsen	Ja
9	W135-0937-SER	1	Achterste logboekmontage	Ja	21	W370-0191-SER	1	Hardware kit en montagebeugel	Ja
10	W010-5005	2	Verwarmings- en ventilatorassemblage	Ja	22	W430-0023-SER	1	Magnetische knoppen (x8)	Ja
11	W475-6144-SER	2	Aanraakpaneel met ontvanger	Ja	23	W527-0042-SER	1	Reflector	Ja
12	W190-0180-SER	1	Printplaat	Ja	24	W135-1023	2	Drijfhout log # 1	Ja
					25	W135-1024	2	Drijfhout log # 2	Ja
					26	W135-1025	2	Drijfhout log # 3	Ja
					27	W135-1026	2	Drijfhout log # 4	Ja
					28	W135-1027	2	Drijfhout log # 5	Ja

* Onderdelen niet weergegeven.

** Deze magnetische knoppen zijn alleen voor decoratieve doeleinden. Ze moeten in de hoeken van de voorkant van het apparaat worden geplaatst (zie de sectie "magnetische knoppen" voor details).

8.1 accessoires



Items kunnen anders zijn dan afgebeeld.

Referentiernr.	Onderdeelnr.	Omschrijving	Op voorraad
1	NEFBD50HE-SS-TRIM	Afwerking in roestvrij staal (x2)	Ja
2 *	NEFBD50HE-SS-DTRM	Diepe roestvrijstalen afwerking (x2)	Ja
2 *	NEFBD50HE-DTRM	Diepzwarte bies (x2)	Ja
3 **	W497-0067-SER	Zak met kristallen, groot	Ja

* Voor gebruik met 4 1/2 "(114 mm) dikke muren. Zie de sectie "inbouwen" voor meer informatie.

** 5 kristallen per zakje. Dit apparaat vereist 2 tassen.

9.0 probleemoplossing

NL

WAARSCHUWING

- Schakel het apparaat volledig uit en laat het afkoelen voordat u onderhoud uitvoert. Dit elektrische apparaat mag alleen worden onderhouden en gerepareerd door een erkende onderhoudsmonteur.

symptoom	probleem	oplossing
Het apparaat gaat niet aan als de aan/uit-knop/schakelaar in de stand 'aan' wordt gezet.	De stroomonderbreker van de woning is geactiveerd.	Reset de stroomonderbreker.
	Vaste bedrading is niet correct aangesloten (indien van toepassing).	Zie het hoofdstuk 'installeren via vaste bedrading'.
	Het apparaat is oververhit geraakt en de thermische beveiliging is geactiveerd.	Haal de stekker uit het stopcontact of schakel de stroomonderbreker uit, laat het apparaat 15 minuten afkoelen en steek vervolgens de stekker weer in het stopcontact of schakel de stroomonderbreker in.
	Probleem met de hoofdprintplaat.	Controleer de printplaat en vervang deze zo nodig.
Het apparaat schakelt uit en gaat niet meer aan.	De stroomonderbreker van de woning is geactiveerd.	Reset de stroomonderbreker.
	De zekering van het apparaat is doorgebrand.	Vervang de zekering.
	Het apparaat is oververhit geraakt en de thermische beveiliging is geactiveerd.	Haal de stekker uit het stopcontact of schakel de stroomonderbreker uit, laat het apparaat 15 minuten afkoelen en reset de thermische beveiliging. Steek vervolgens de stekker weer in het stopcontact of schakel de stroomonderbreker in.
Het apparaat heeft de standaardinstellingen hersteld.	Stroomstoring.	Zet het apparaat terug op de oorspronkelijke instellingen (niet van toepassing op alle apparaten).
De afstandsbediening werkt niet.	De batterijen zijn (bijna) leeg.	Vervang de batterijen in de afstandsbediening.
	Ontvanger voor de afstandsbediening werkt niet.	Zorg dat de ontvanger voor de afstandsbediening niet geblokkeerd is. Vervang het bedieningspaneel.
Er komt geen warme lucht uit het apparaat.	Verwarmingsstand is niet geselecteerd.	Zie het hoofdstuk 'bedieningsinstructies'.
	Verwarming is uitgeschakeld.	Zie het hoofdstuk 'bedieningsinstructies'.
	De kamertemperatuur is hoger dan de apparaatinstelling (indien ingesteld op kamertemperatuur).	Reset de temperatuurstelling.
	Het apparaat is oververhit geraakt en de thermische beveiliging is geactiveerd.	Haal de stekker uit het stopcontact of schakel de stroomonderbreker uit. Laat het apparaat 15 minuten afkoelen.
	Vaste bedrading is niet correct aangesloten (indien van toepassing).	Zie het hoofdstuk 'installeren via vaste bedrading'.
	Probleem met de verwarming.	Controleer de blazer en de verwarming en vervang ze zo nodig.
De verwarming schakelt automatisch uit.	De kamer is te warm.	De verwarming is uitgerust met een ingebouwde thermostaat zodat deze automatisch wordt uitgeschakeld zodra de vooraf ingestelde temperatuur is bereikt. De verwarming wordt ook automatisch ingeschakeld als de kamertemperatuur onder de vooraf ingestelde temperatuur daalt.
Zwakke of geen vlam.	Helderheid van de vlam niet geselecteerd.	Zie het hoofdstuk 'bedieningsinstructies'.
	Probleem met de led-lampen van de vlam.	Controleer de led-lamp en vervang deze zo nodig.
	Probleem met de hoofdprintplaat.	Controleer de hoofdprintplaat en vervang deze zo nodig.
Vlam beweegt niet.	Motor is vastgelopen/defect.	Schakel het apparaat in/uit. Raadpleeg een dealer als het probleem zich blijft voordoen.
Sintelbed gloeit of dimt niet.	De helderheid is niet geselecteerd.	Zie het hoofdstuk 'bedieningsinstructies'.
	Probleem met de led-lamp van de sintelverlichting.	Controleer de leds in het sintelbed en vervang ze zo nodig.
	Probleem met de hoofdprintplaat.	Controleer de hoofdprintplaat en vervang deze zo nodig.

Napoleon Elektrogeräte werden unter dem strengen Standard der weltweit anerkannten Qualitätsmanagementnorm ISO 9001 : 2015 hergestellt.

Die Produkte von **Napoleon** werden mit hochwertigen Komponenten und Materialien entwickelt und von qualifizierten Facharbeitern montiert, die großen Wert auf die Qualität ihrer Arbeit legen. Nach der Montage wird das komplette Gerät vor dem Verpacken von einem qualifizierten und zugelassenen Installateur, einer Servicestelle oder einem Lieferanten gründlich inspiziert, um sicherzustellen, dass Sie als Kunde das Qualitätsprodukt erhalten, das Sie von **Napoleon** erwarten.

Eingeschränkte Garantie von Napoleon auf Elektrogeräte

Elektrische Komponenten und Verschleißteile sind abgedeckt, und **Napoleon** stellt während der ersten 2 Jahre der eingeschränkten Garantie kostenlos Ersatzteile zur Verfügung. Dies beinhaltet: Lüfter/Heizgeräte, Motoren, Schalter, Nylon-Lagerkomponenten, Fernbedienungen und LED-Leuchten.*

Glühlampen und Sicherungen sind **NICHT** durch die Garantie abgedeckt.

Jegliche Arbeit im Zusammenhang mit Garantiereparaturen ist nicht abgedeckt.

* Die Konstruktion verschiedener Modelle variiert. Die Garantie gilt nur für Komponenten Ihres spezifischen Geräts.

Bedingungen und Einschränkungen

Napoleon übernimmt die Gewährleistung seiner Produkte für Herstellungsfehler ausschließlich dem ursprünglichen Käufer gegenüber. Eine Registrierung Ihrer Garantie ist nicht erforderlich. Legen Sie einfach Ihren Kaufbeleg zusammen mit der Modell- oder Seriennummer vor, um einen Garantieanspruch geltend zu machen. Vorausgesetzt, dass der Kauf über einen autorisierten **Napoleon** Händler erfolgt ist, gelten für unser Gerät folgende Bedingungen und Einschränkungen:

Der Garantieanspruch beginnt mit dem Datum der ursprünglichen Installation.

Diese Werksgewährleistung ist nicht übertragbar und kann in keiner Form von einem unserer Vertreter verlängert werden.

Der Einbau hat in Übereinstimmung mit der im Lieferumfang enthaltenen Einbauanleitung sowie lokalen und nationalen Bau- und Brandschutzverordnungen zu erfolgen.

Diese eingeschränkte Gewährleistung deckt keine Schäden ab, die durch Fehlgebrauch, fehlende Wartung, Unfälle, Umbau, unsachgemäße Verwendung oder Nachlässigkeit entstehen; durch den Einbau von Ersatzteilen anderer Hersteller wird diese Gewährleistung nichtig.

Diese eingeschränkte Gewährleistung deckt des Weiteren keine Kratzer, Dellen, Korrosion oder Verfärbungen durch Hitze, abrasive und chemische Reinigungsmittel sowie das Abblättern bei porzellanisierten Teilen oder mechanischen Bruch von PHAZER™ Holzschichten ab.

Nur in den ersten 2 Jahren erstreckt sich diese Garantie auf die Reparatur oder den Ersatz von Teilen, die unter die Garantie fallen und Material- oder Verarbeitungsfehler aufweisen, vorausgesetzt, dass das Produkt in Übereinstimmung mit der Bedienungsanleitung und unter normalen Bedingungen betrieben wurde.

Napoleon übernimmt keine Verantwortung für den Einbau, die Arbeitskosten oder andere Ausgaben im Zusammenhang mit dem erneuten Einbau des über die Gewährleistung bezogenen Teils; und solche Kosten werden von dieser Gewährleistung nicht abgedeckt. Unbeschadet anders lautender Bestimmungen in dieser eingeschränkten Gewährleistung ist die Verantwortung von **Napoleon** wie oben beschrieben definiert und wird in keinem Fall auf zufällige, daraus folgende oder indirekte Schäden erweitert.

Diese Garantie definiert die Verpflichtungen und die Haftung von **Napoleon** in Bezug auf das **Napoleon** Elektrogerät und alle anderen ausdrücklichen oder impliziten Garantien in Bezug auf dieses Produkt; seine Komponenten oder Zubehörteile sind ausgeschlossen.

Napoleon übernimmt keine weiteren Haftungen im Hinblick auf den Verkauf dieses Produkts und autorisiert keine Dritten zur Übernahme solcher Haftungen.

Jegliche Schäden an Geräten, Messingbeschlägen oder anderen Komponenten durch Wasser, Witterungsschäden, lange Feuchtigkeitsperioden, Kondenswasser, schädliche Chemikalien oder Reinigungsmittel fallen nicht in die Verantwortung von **Napoleon**.

Napoleon behält sich das Recht vor, das Produkt oder das Teil vor der Gewährung der Ansprüche durch einen Vertreter überprüfen zu lassen.

Für alle im Rahmen der eingeschränkten Gewährleistung ausgetauschten Teile ist nur ein einzelner Anspruch möglich.

Alle Teile, die im Rahmen der Garantie ersetzt werden, sind für einen Zeitraum von 90 Tagen ab dem Datum ihrer Installation abgedeckt.

Der Hersteller kann verlangen, dass defekte Teile oder Produkte zurückgegeben werden oder dass digitale Bilder zur Unterstützung des Anspruchs zur Verfügung gestellt werden. Zurückgesandte Produkte sind zur Unterstützung franko an den Hersteller zu senden. Wenn festgestellt wird, dass ein Produkt defekt ist, repariert oder ersetzt der Hersteller diesen Defekt.

Bevor Sie Ihr Gerät oder defekte Komponenten versenden, muss Ihr Händler eine Autorisierungsnummer erhalten. Alle ohne Genehmigung versendeten Waren werden nicht angenommen und an den Absender zurückgeschickt.

Versandkosten sind nicht durch diese Garantie abgedeckt.

Es können zusätzliche Servicegebühren anfallen, wenn Sie Garantieleistungen von einem Händler in Anspruch nehmen.

Alle Spezifikationen und das Design können aufgrund von laufenden Produktverbesserungen ohne vorherige Ankündigung geändert werden.

Napoleon ist eine eingetragene Marke von Wolf Steel Ltd.

NAPOLEON BIEDT AL MEER DAN 40 JAAR PRODUCTEN VOOR WOONCOMFORT



WEEE:



Betekenis van doorgekruiste vuilniscontainer:

Gooi elektrische apparaten niet weg bij het ongesorteerd huishoudelijk afval. Breng ze naar de speciale inzamelpunten. Vraag bij de gemeente na welke inzamelpunten er zijn. Als elektrische apparaten op een vuilnisbelt of stortplaats belanden, kunnen gevaarlijke stoffen in het grondwater lekken en in de voedselketen terechtkomen, en dat is schadelijk voor uw gezondheid en welzijn.

Als u oude apparaten door nieuwe vervangt, is de dealer wettelijk verplicht om uw oude apparaat gratis in te nemen.



7200 Route Transcanadienne, Montréal, Québec H4T 1A3, Canada
24 Napoleon Road, Barrie, Ontario L4M 0G8, Canada
214 Bayview Drive, Barrie, Ontario L4N 4Y8, Canada
103 Miller Drive, Crittenden, Kentucky 41030, VS
De Riemsdijk 22, 4004 LC Tiel, Nederland
napoleon.com