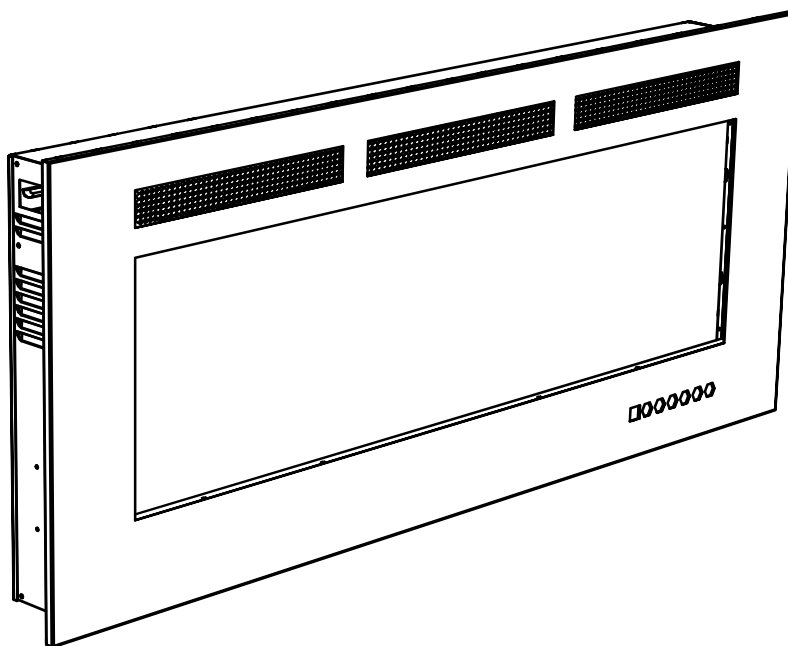




INSTALLATION AND OPERATION MANUAL

Allure™ Series
(NEFL50FH-EU Illustrated)



SAFETY INFORMATION

⚠ WARNING

FIRE OR EXPLOSION HAZARD

If the information in these instructions are not followed exactly, a fire or explosion may result causing property damage, personal injury, or loss of life.

- Do not store or use gasoline or other flammable vapors and liquids in the vicinity of this or any other appliance.

INSTALLER:

Leave this manual with the appliance

CONSUMER:

Retain this manual for future reference

note:

The remote control for this appliance uses two 'AAA' batteries. They are not included.



FOR INDOOR USE ONLY

APPLY SERIAL NUMBER LABEL FROM CARTON



Wolf Steel Europe BV
De Riemsdijk 22, 4004 LC Tiel, The Netherlands

! WARNING

- **If equipped with a heater, this appliance can be hot when operated and can cause severe burns if contacted.**
- Do not operate appliance before reading and understanding operating instructions. Failure to operate appliance according to operating instructions could cause fire or injury.
- Do not install damaged, incomplete or substitute components.
- Do not burn wood or other materials in this appliance.
- All electric appliances have hot and arcing or sparking parts inside. Do not use it in areas where a gas line, paint or flammable liquids are present.
- Any safety screen or guard removed for servicing must be replaced prior to operating the appliance.
- It is imperative that the control compartments, circulating blower and its passageway in the appliance are kept clean. The appliance should be inspected before use and at least annually by a qualified service person. More frequent cleaning may be required due to excessive lint from carpeting, bedding material, etc. The appliance area must be kept clear and free from combustible materials, gasoline and other flammable vapors and liquids.
- Under no circumstances should this appliance be modified.
- **Do not use this appliance if any part has been under water. Immediately call a qualified service technician to inspect the appliance and to replace any part of the control system which has been under water.**
- Do not operate the appliance with the glass front removed, cracked or broken. Replacement of the glass should be done by a licensed or qualified service person.
- Do not strike or slam shut the appliance glass front.
- Keep the packaging material out of reach of children and dispose of the material in a safe manner. As with all plastic bags, these are not toys and should be kept away from children and infants.
- Servicing should be done only while the appliance is disconnected from the power supply circuit.
- Always unplug appliance when not in use.
- Do not operate this appliance with a damaged cord or plug after the appliance malfunctions, has been dropped or damaged in any manner. Return appliance to authorized service facility for examination, electrical or mechanical adjustment, or repair.
- Do not use outdoors.
- Never locate appliance where it may fall into a bathtub or other water container.
- Do not run cord under carpeting. Do not cover cord with throw rugs, runners, or the like. Arrange cord away from traffic area and where it will not be tripped over.
- Connect to properly grounded outlets only.
- Do not insert or allow foreign objects to enter any ventilation or exhaust opening as this may cause an electric shock or fire, or damage the appliance.

! WARNING

- To prevent a possible fire, do not block air intakes or exhaust in any manner. Do not use on soft surfaces, like a carpet, where openings may become blocked.
- Always plug appliances directly into a wall outlet/receptacle. Never use an extension cord or relocatable power tap (outlet/power strip).
- These appliances are tested and listed for use only with the optional accessories listed in these instructions. Use of optional accessories not specifically tested for this appliance could void the warranty and/or result in a safety hazard.

For appliances equipped with a heater:

- Risk of burns. Power to the appliance should be turned off and the appliance allowed to cool before servicing. To disconnect power to the appliance, turn controls to off, then remove plug from outlet.
- Young children should be carefully supervised when they are in the same room as the appliance. Toddlers, young children and others may be susceptible to accidental contact burns. A physical barrier is recommended if there are at risk individuals in the house. To restrict access to an appliance or stove, install an adjustable safety gate to keep toddlers, young children and other at risk individuals out of the room and away from hot surfaces.
- Clothing or other flammable material should not be placed on or near the appliance.
- Due to high temperatures, the appliance should be located out of traffic and away from furniture and draperies.
- Ensure adequate safety measures have been incorporated to protect infants/toddlers from touching hot surfaces.
- Even after the appliance is out, the glass and/or screen will remain hot for an extended period of time.
- Check with your local hearth specialty dealer for safety screens and hearth guards to protect children from hot surfaces. These screens and guards must be fastened to the floor.
- Ensure clearances to combustibles are maintained when building a mantel or shelves above the appliance. Elevated temperatures on the wall or in the air above the appliance can cause melting, discoloration or damage to decorations, a T.V. or other electronic components.
- The heater must not be located immediately below a socket-outlet
- This appliance can be used by children aged from 8 years and above, and persons with reduced physical sensory, mental capabilities, or lack of experience and knowledge if they have been given supervision or instruction concerning use of the appliance in a safe way and understand the hazards involved. Children shall not play with the appliance. Cleaning and user maintenance shall not be made by children without supervision.

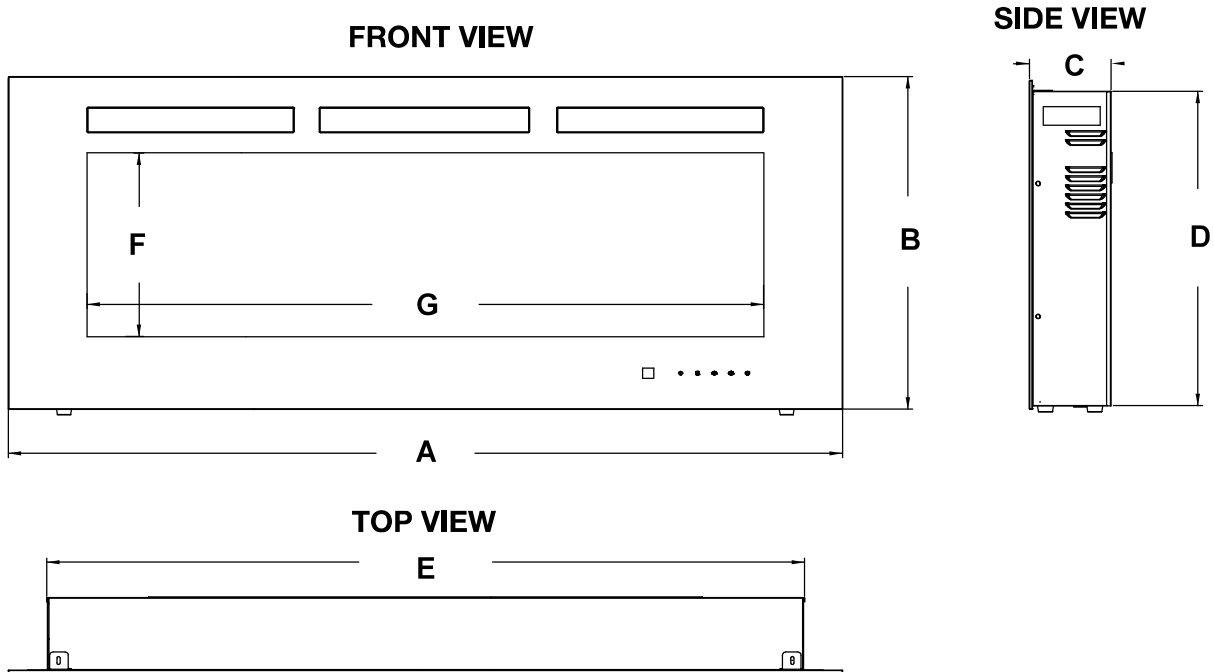
! WARNING: This product can expose you to chemicals including lead and lead compounds, which are known to the State of California to cause cancer, and chemicals including BBP and DEHP, which are known to the State of California to cause birth defects or other reproductive harm. For more information, go to www.P65Warnings.ca.gov.

1.0	general information	5
1.1	dimensions	5
1.2	product information	5
1.3	general instructions	6
1.4	unpacking and testing appliance	6
1.5	hardware list	7
1.6	rating plate information	8
1.7	locating appliance	8
2.0	installation	9
2.1	minimum clearance to combustibles	9
2.2	minimum mantel clearances	9
2.3	framing	10
2.4	installing the appliance	11
2.5	recessing the appliance into the wall	12
2.6	installing the appliance into a mantel	13
2.7	rubber feet installation	14
2.8	hard wiring installation	15
3.0	finishing	16
3.1	front glass installation	16
3.2	front glass removal	17
3.3	crystal ember installation	17
4.0	operating instructions	18
4.1	main power button	18
4.2	operating touch display panel	18
4.3	operating remote control	19
4.3.1	set current day and time	20
4.3.2	set ON/OFF time and temperature on a weekly cycle	20
4.3.3	open window warning	20
5.0	maintenance	21
5.1	remote battery installation	21
6.0	wiring diagram	22
7.0	replacement parts	24
8.0	troubleshooting	26
9.0	warranty	27

note:

Changes, other than editorial, are denoted by a vertical line in the margin.

1.1 dimensions



1.2 product information

This appliance has been tested in accordance with the GS Standards for fixed and location-dedicated electric room appliances in Europe. If you need assistance during installation, please contact your local dealer.

Dimensions							
	A	B	C	D	E	F	G
NEFL32FH-EU	32" (813mm)	21 5/8" (550mm)	5" (127mm)	20 1/2" (520mm)	12" (304mm)	27 5/16" (694mm)	22 5/16" (567mm)
NEFL42FH-EU	42" (1067mm)						32 5/16" (821mm)
NEFL50FH-EU	50" (1270mm)						40 5/16" (1024mm)
NEFL60FH-EU	60" (1524mm)						50 5/16" (1278mm)
NEFL72FH-EU	72" (1830mm)						62 5/8" (1583mm)
NEFL100FH-EU	100" (2540mm)						90 9/16" (2300mm)

Model No.	Net Weight	Gross Weight	Description	Electric Appliance
NEFL32FH-EU	34.6 lbs (15.7kg)	50.3 lbs (22.8kg)	Type	3 Way Mounting Appliance Wall-Mount, Recess into Wall and Assemble with Mantel
NEFL42FH-EU	44.3 lbs (20.1kg)	60.2 lbs (27.3kg)	Voltage	220-240V AC
NEFL50FH-EU	50.9 lbs (23.1kg)	70 lbs (31.44kg)	Watts	MAX 1750-2000W
NEFL60FH-EU	61.3 lbs (27.8kg)	82 lbs (37.17kg)		
NEFL72FH-EU	81.8 lbs (37.1kg)	117.3 lbs (53.2kg)		
NEFL100FH-EU	111.3 lbs (50.5kg)	159.4 lbs (72.3kg)		

general information

1.3 general instructions

- Prior to plugging your appliance into an electrical outlet, verify that the house circuit breakers for the outlet are on.
- The appliance may emit a slight, harmless odour when first used. This odour is normal and it is caused by the initial heating of internal appliance elements and will not occur again.
- If your appliance does not emit heat when called for, consult the “operation” section of this manual for further information.
- Use with a CE- or GS-certified surge protector.
- Do not route the power cord directly underneath the appliance.

This electric appliance meets the construction and safety standards of H.U.D. for application in manufactured homes when installed according to these instructions.

As with most electronic devices, your new electric appliance has been designed to operate at temperatures between 5°C (41°F) and 35° C (95°F). During the colder winter months, allow the appliance to reach room temperature before turning it on.

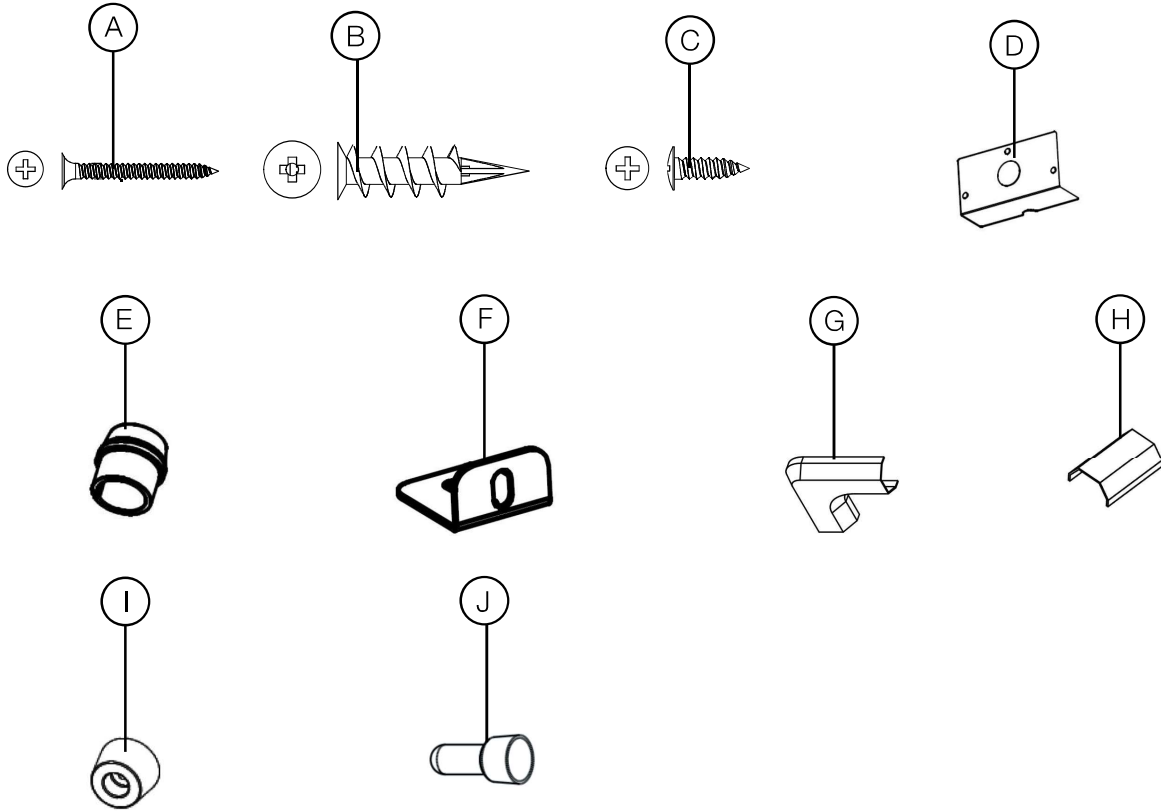
1.4 unpacking and testing appliance

Carefully remove the appliance from the box. Prior to installing the appliance, test to make sure the appliance operates properly by plugging the power supply cord into a conveniently located 220-240 volt, minimum 10 amp grounded outlet.

note:

The NEFL72/100FH-EU appliances are shipped with the front glass not assembled onto the appliance (see “front glass installation” section for assembly).

1.5 hardware list



Ref.	Description	Quantity					
		NEFL32FH-EU	NEFL42FH-EU	NEFL50FH-EU	NEFL60FH-EU	NEFL72FH-EU	NEFL100FH-EU
A	Wood Screws	6			12		16
B	Drywall Anchors	6			12		16
C	Metal Screws	8					
D	Cover Plate	1					
E	Strain Relief	1					
F	Metal Bracket	4					
G	Cord Corner	4					
H	Cord Corner	4					2
I	Rubber Foot	4			6		
J	Wire Connector	3					

1.6 rating plate information

ELECTRIC FIREPLACE, SUITABLE FOR BEDROOM AND BED-SITTING ROOM INSTALLATION. SUITABLE FOR MOBILE HOME INSTALLATION.		EAC		CE		TÜV Rheinland ZERTIFIZIERT www.tuv.com ID 1419043031		GS geprüfte Sicherheit	
VOLTAGE: 220-240 VAC FREQUENCY: 50Hz POWER: 1750-2000W DATE CODE: XXXXX		RoHS		Reach		WEEE			
MODELS									
<input type="checkbox"/> NEFL32FH-EU	<input type="checkbox"/> NEFL60FH-EU	<input type="checkbox"/> NEFL32FH-MT-EU	<input type="checkbox"/> NEFL60FH-MT-EU	<input type="checkbox"/> NEFL42FH-EU	<input type="checkbox"/> NEFL72FH-EU	<input type="checkbox"/> NEFL42FH-MT-EU	<input type="checkbox"/> NEFL72FH-MT-EU	<input type="checkbox"/> NEFL50FH-EU	<input type="checkbox"/> NEFL100FH-EU
<input type="checkbox"/> NEFL42FH-EU	<input type="checkbox"/> NEFL72FH-EU	<input type="checkbox"/> NEFL42FH-MT-EU	<input type="checkbox"/> NEFL72FH-MT-EU	<input type="checkbox"/> NEFL50FH-EU	<input type="checkbox"/> NEFL100FH-EU	<input type="checkbox"/> NEFL50FH-MT-EU	<input type="checkbox"/> NEFL100FH-MT-EU		
Manufacturer: Wolf Steel Ltd. 24 Napoleon Road, Barrie, ON, L4M 0G8 Canada		Importer: Wolf Steel Europe BV De Riemsdijk 22, 4004 LC Tiel, The Netherlands		DESIGNED IN NORTH AMERICA BY WOLF STEEL LTD. MADE IN CHINA					
		SERIAL NUMBER:		NEFLXX##		W385-2178 / C			

This illustration is for reference only. Refer to the rating plate on the appliance for accurate information.

note:

The rating plate must remain with the appliance at all times. It must not be removed.

1.7 locating appliance

! WARNING

- Due to high temperatures, this electric appliance should be located out of traffic. Keep combustible materials such as furniture, pillows, bedding, papers, clothes, curtains, and similar items at least 36" (91.44cm) from the front of the appliance.
- Never located this electric appliance where it may fall into a bathtub or other water container.
- Wear safety gloves and safety glasses for protection during installation and maintenance.
- To prevent contact with sagging or loose insulation, the electric appliance must not be installed against vapor barrier or exposed insulation. Localized overheating could occur and fire could result.
- Do not expose the electric appliance to the elements (i.e. rain, snow, etc.)

! WARNING

- Risk of fire! The power cord must not be pinched against a sharp edge. Secure cord to avoid tripping or snagging to reduce the risk of fire, electric shock, or personal injury. Do not run cord under carpeting. Do not cover cord with throw rugs, runners, or similar items. Arrange cord away from traffic areas and where it will not be tripped over.
- Risk of fire! To prevent a possible fire, do not block air intake or exhaust in any manner. Do not use on soft surfaces where openings may become blocked.
- Risk of fire! Do not blow or place insulation against the appliance.
- This electric appliance is tested and listed for use only with the approved optional accessories. Use of optional accessories not specifically tested for this electric appliance could void the warranty and/or result in a safety hazard.
- If the information in these instructions is not followed exactly, a fire or explosion may result causing property damage, personal injury, or death. Do not store or use gasoline or other flammable vapors in the vicinity of this or any other appliance.
- This appliance is heavy. It is highly recommended that two people install this appliance.
- If your appliance is equipped with a heater, ensure the heater vents cannot, in any way, be covered as it may create a fire hazard.
- Do not run the power cord horizontally, directly below the appliance.

Your appliance is a wall-mounted, recessed and/or mantel installed appliance. Select a suitable location that is not susceptible to moisture and is away from drapes, furniture and high traffic areas.

note:
Follow all national and local electrical codes.

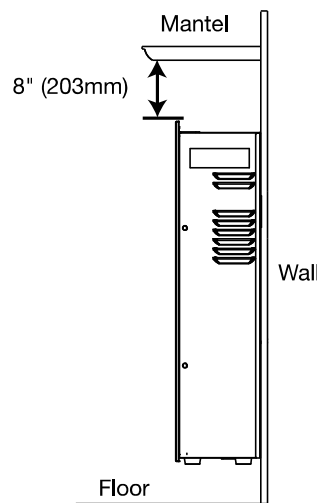
2.1 minimum clearance to combustibles

Measurements are taken from the glass front:	
Bottom	0"
Sides	
Back	
Top	8" (20.3cm) to ceiling / mantel

2.2 minimum mantel clearances

! WARNING

- When using paint or lacquer to finish the mantel, the paint or lacquer must be heat resistant to prevent discoloration.

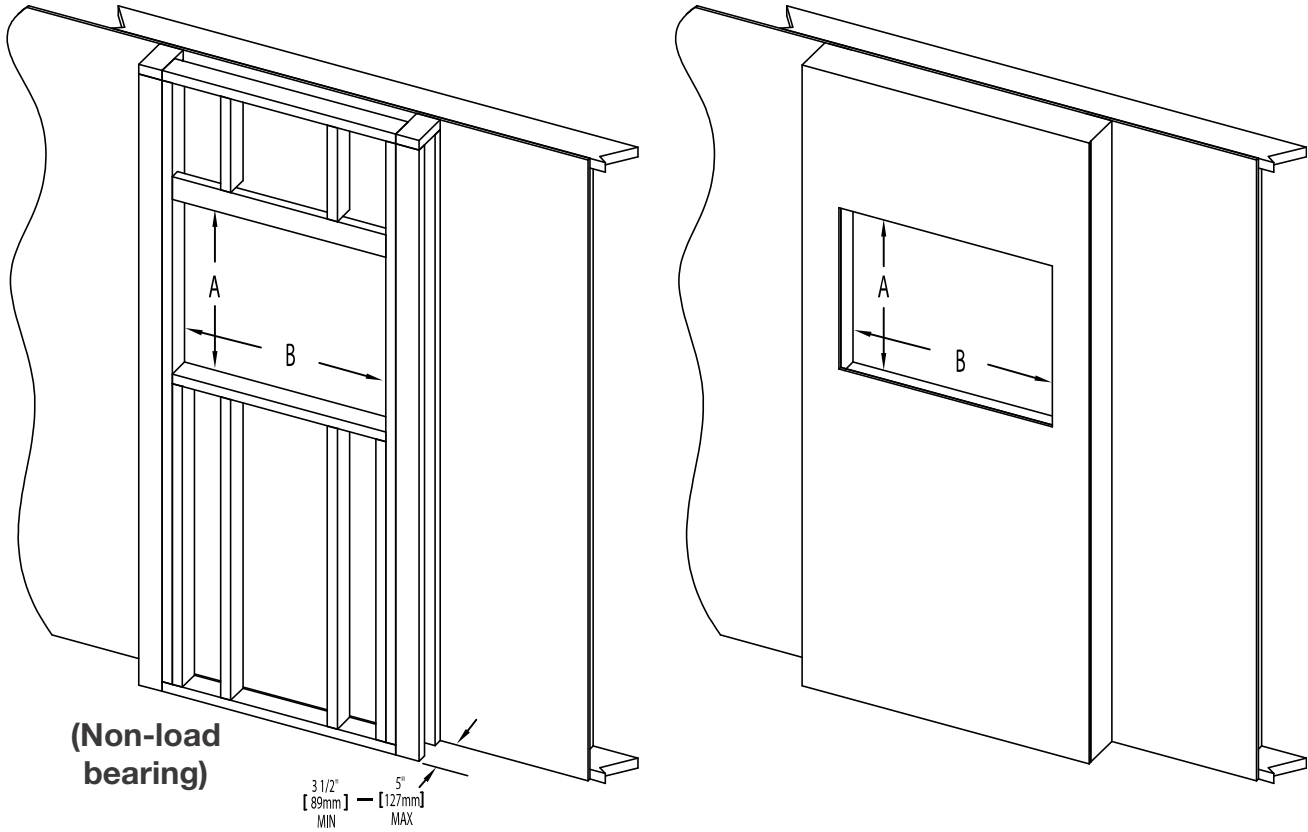


Side View

EN **installation**
2.3 framing

Measurements are taken from the body:	
Sides, back, and top	0"

Finishing Material

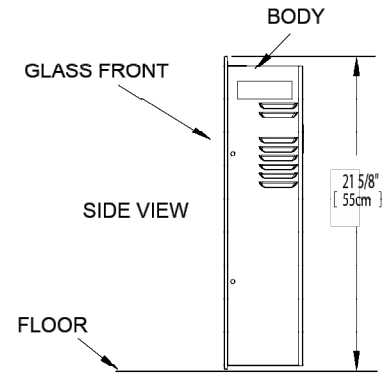


MODEL NO.	A	B
NEFL32FH-EU	21" (53.5cm)	27 13/16" (70.7cm)
NEFL42FH-EU		38" (96.5cm)
NEFL50FH-EU		45 15/16" (116.6cm)
NEFL60FH-EU		55 13/16" (141.8cm)
NEFL72FH-EU		67 7/8" (172.5cm)
NEFL100FH-EU		95 7/8" (243.5cm)

2.4 installing the appliance

Due to the many different materials used on different walls, it is highly recommended to consult your local builder before installing this appliance on the wall.

- A. Select a location that is not prone to moisture and is located at least 36" (91.4cm) away from combustible materials such as curtain drapes, furniture, bedding, paper, etc.
- B. Have 2 people hold the appliance against the wall to determine the final location.
- C. Place appliance face down on a soft, non abrasive surface. Remove the bracket from the back of the appliance by removing the screws (**Fig. 1 and 2**).
- D. Mark out location, then mount the bracket(s) onto the wall using the supplied screws. This bracket **MUST** have the hooks facing upward and be level.



note:
It is strongly recommended that the mounting bracket be screwed into the wall studs where possible. If the wall studs cannot be used, ensure that the supplied plastic anchors are used to affix the bracket to the wall and the bracket is adequately secured.

- E. With the wall mounting bracket installed, have 2 people lift the appliance up and insert the 2 hooks on the bracket into the 2 slots on the back of the appliance.
- F. Check the appliance for stability ensuring that the bracket will not pull free from the wall.

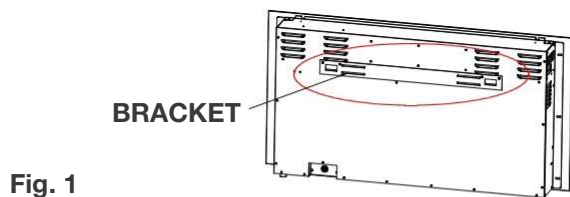
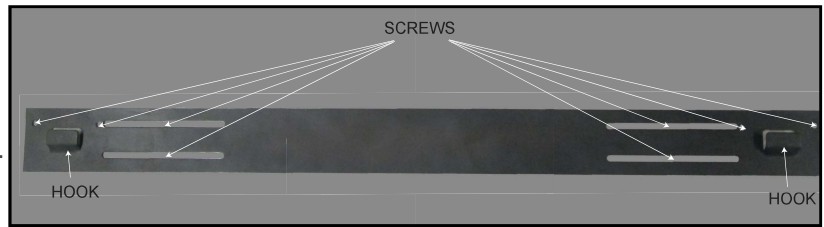
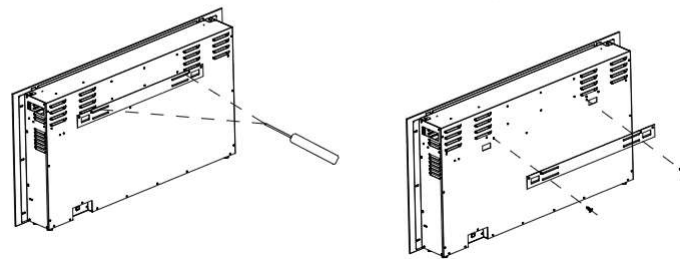


Fig. 1



NEFL32/42/50FH-EU Bracket Illustrated

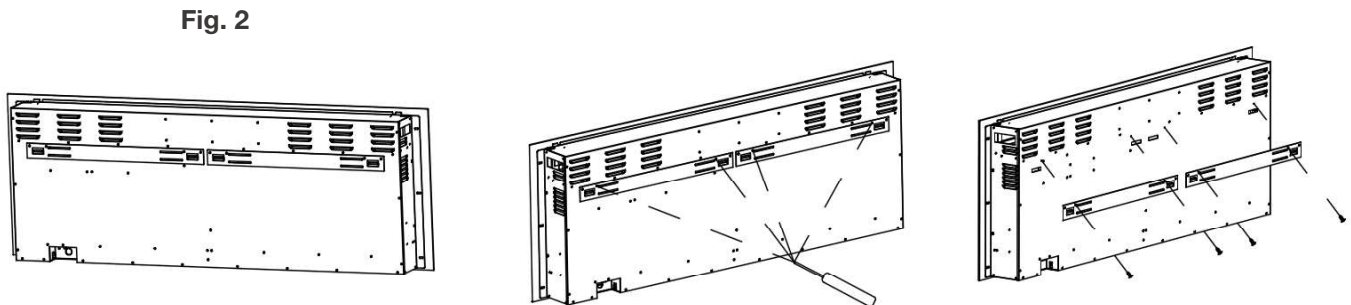


Fig. 2

NEFL60/72/100FH-EU Bracket Illustrated

2.5 recessing the appliance into the wall

Due to the many different finish materials used on walls, it is highly recommended to consult your local builder before installing this appliance in the wall.

Select a location that is not prone to moisture and is located at least 36" (91.4cm) away from combustible materials such as curtain drapes, furniture, bedding, paper, etc.

- A. Measure the appliance and create a rough-in with electrical.
- B. Remove the front glass (see "front glass removal" section).
- C. Hold the appliance up to ensure it will fit into the framing.
- D. If the appliance is fully recessed into the wall:
 - Bend the 2 top tabs upwards on the front glass (**Fig. 3, next page**).
 - Use the 6 screws (provided) to lock the appliance into the wall with the existing 2 side flanges (**Fig. 1**).
 - Install the media and reinstall the glass front.
- E. If partially recessed into the wall:
 - Use the 2 mounting brackets (supplied) to lock the appliance to the wall (**Fig. 2**).

note:

2 sets of holes are provided for recessing into wall. The wall structure may limit how far the appliance can be recessed. Use the appropriate set of holes when recessing to the frame. It may be necessary to use the 4 holes on the top and bottom.

Fig. 1

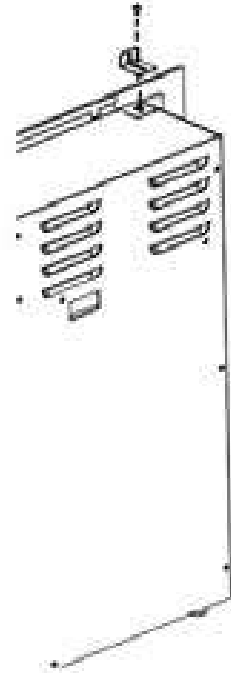
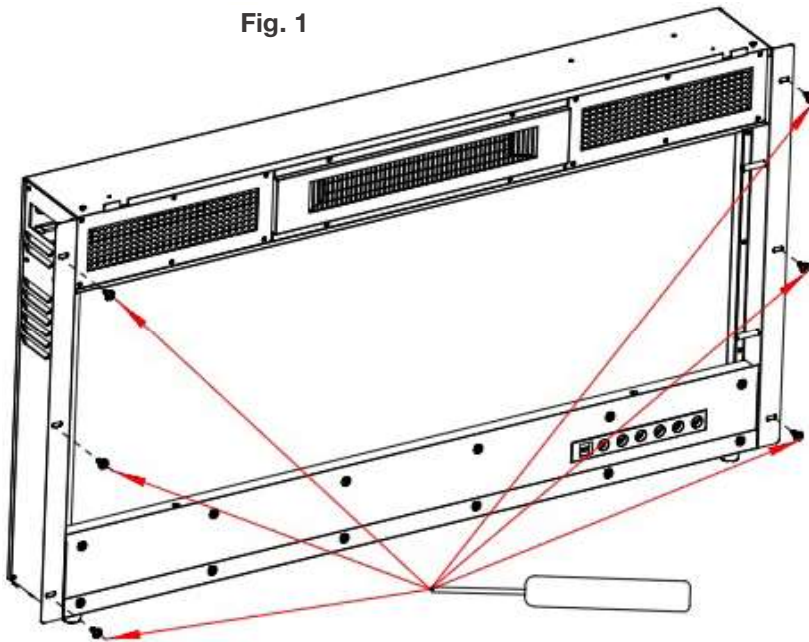


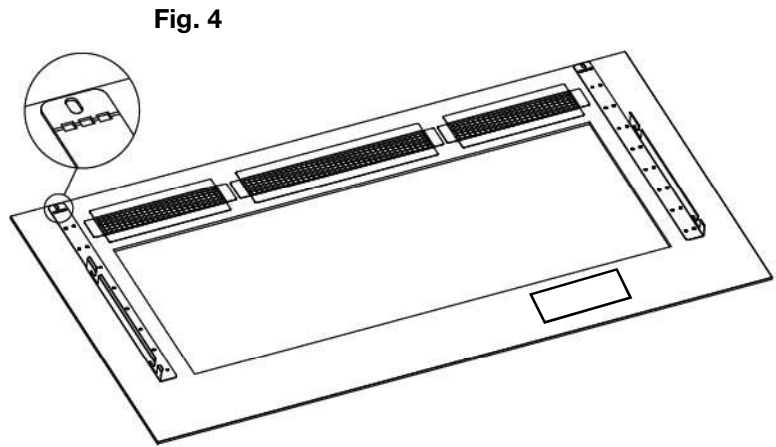
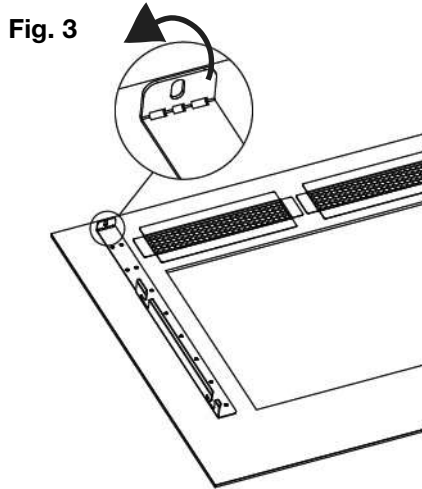
Fig. 2

note:

It is recommended the walls of the appliance enclosure be finished (i.e. drywall) to avoid exposed insulation or vapour barrier coming in contact with the appliance. This will ensure clearance to combustibles is maintained.

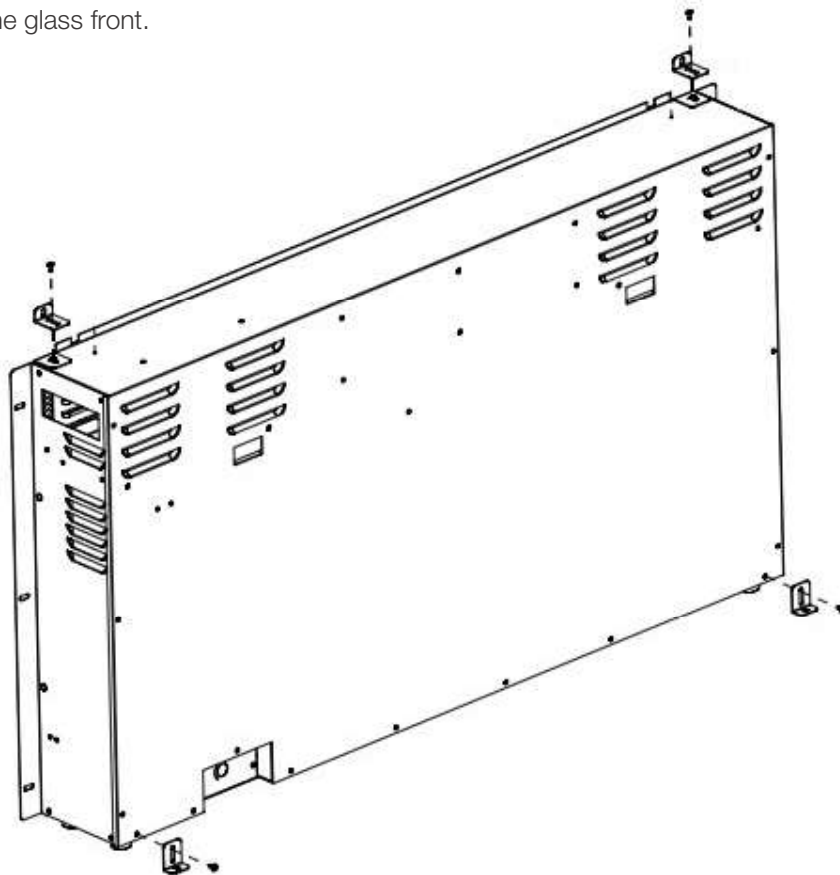
note:

The appliance tabs come bent. The tabs must be unbent by hand when fully recessing the appliance into the wall (**Fig. 4**).



2.6 installing the appliance into a mantel

- A. Remove the glass front (see "front glass installation" section).
- B. Install the rubber feet onto the bottom of the appliance for stability (see "rubber feet installation" section).
- C. Install the top and bottom brackets provided.
- D. Insert the appliance into the mantel and secure it with the brackets (see "electric appliance mantel" installation manual for proper appliance installation instructions).
- E. Place the crystal embers along the media tray (see "crystal ember installation" section).
- F. Reinstall the glass front.

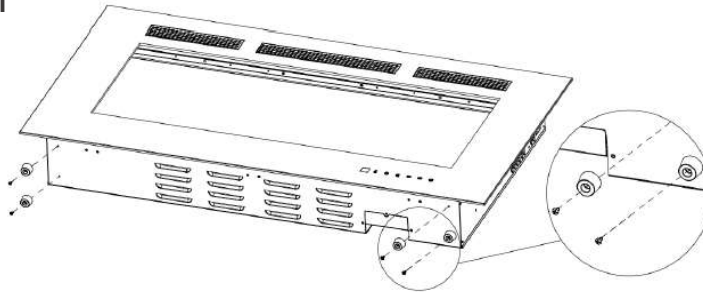
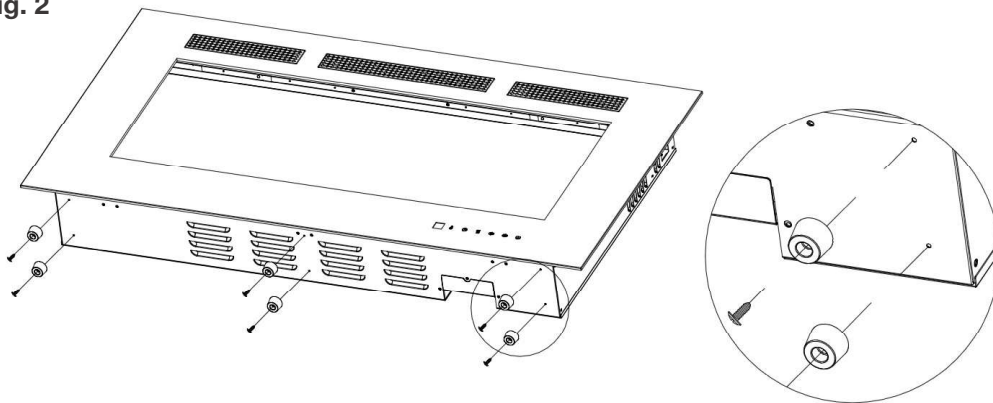


2.7 rubber feet installation

- A. Place the appliance face down on a soft surface.
- B. Using a screw driver, remove the screws on the bottom of the appliance.
- C. Install the 4 rubber feet (6 rubber feet for NEFL60/72/100FH) onto the bottom of the appliance using the screws from Step B (**Fig. 1 and 2**).

note:

The screws for installing the rubber feet are secured to the appliance. Removal of the screws is necessary for installing the rubber feet.

Fig. 1**NEFL32/42/50FH-EU Illustrated****Fig. 2****NEFL60/72/100FH-EU Illustrated**

2.8 hard wiring installation

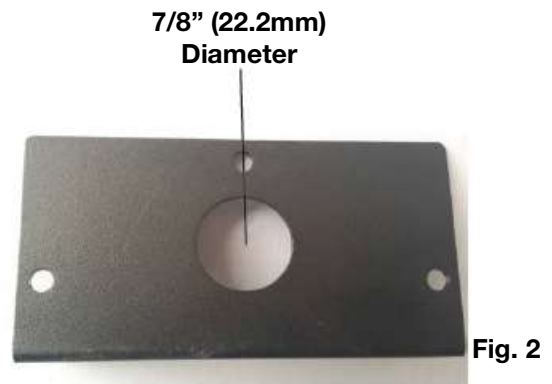
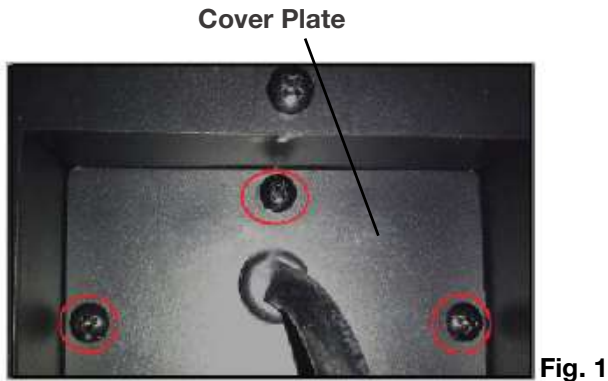
! WARNING

- Turn off the appliance completely and let it cool down before servicing. Only a qualified service person should service and repair this electric appliance.

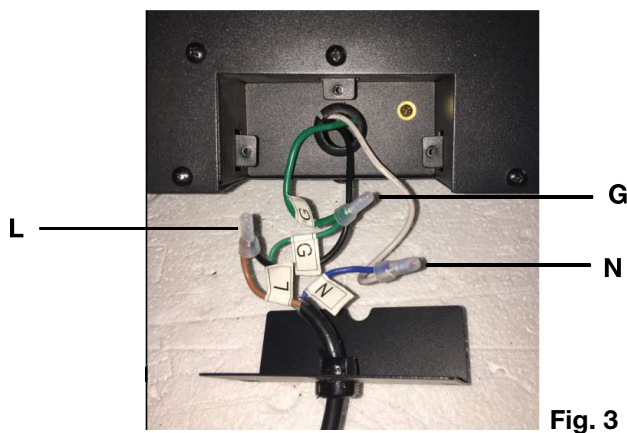
Hard Wiring Connection

If it is necessary to hard wire this appliance, a qualified electrician must remove the cord connection and wire the appliance directly to the house hold wiring.

This appliance must be electrically connected and grounded in accordance with local codes.



- Remove the cover plate from the right side bottom of the appliance by removing the 3 screws (**Fig. 1**).
- Remove the wire connectors from the power cord. The power cord may be discarded.
- Locate the new cover plate, supplied in the hardware bag (**Fig. 2**). Punch out the 7/8" (22.2mm) hole and install a box connector through the junction box. Snap the box connector clamp onto the supply wires.
- Using the wire connectors supplied in the hardware kit, connect the ground green wires (G), the common white wires (N), and the hot black wires (L) (**Fig. 3 and 4**).
- Reinstall the cover plate using the 3 screws.



3.0 finishing

! WARNING

- Power supply service must be completed prior to finishing to avoid reconstruction.
- Heat vents and air openings cannot be covered in any circumstances.

3.1 front glass installation

! WARNING

- Glass may be hot. Do not touch glass until cooled.
- If equipped with door latches that are part of a safety system, they must be properly engaged. Do not operate the appliance with latches disengaged.
- Facing and/or finishing materials must not interfere with air flow through air openings, louvre openings, operation of louvres, or doors/access for service. Observe all clearances when applying combustible materials.
- Before door is removed, turn the appliance off and wait until appliance is cool to the touch. Doors are heavy and fragile so handle with care.

FOR MODELS NEFL72/100FH-EU ONLY:

- Before installing the front glass, remove the screws securing the paper board on the inside of the appliance that protects the control panel. Discard the paper board.
- Reinstall the screws (for recessed-installed appliances only) (**Fig. 1**).
- Remove the 2 screws from the top of the appliance.
- Have 2 people lift the glass up and away from the appliance, holding the glass vertical - not flat - while carrying. Place the glass face down onto a soft, non-abrasive surface, being careful not to flex the glass.
- Bend the top tabs flat (**Fig. 2**).
- Install the crystal embers (see "crystal ember installation" section).
- Install the front glass by aligning with the pins on the appliance. Press the glass in and down to securely engage with the brackets. It must be fully engaged to ensure the touch display panel performs properly.
- Secure the front glass using the screws provided to the top of the appliance (**Fig. 3, next page**). If appliance is fully recessed, this is not necessary.

Fig. 1

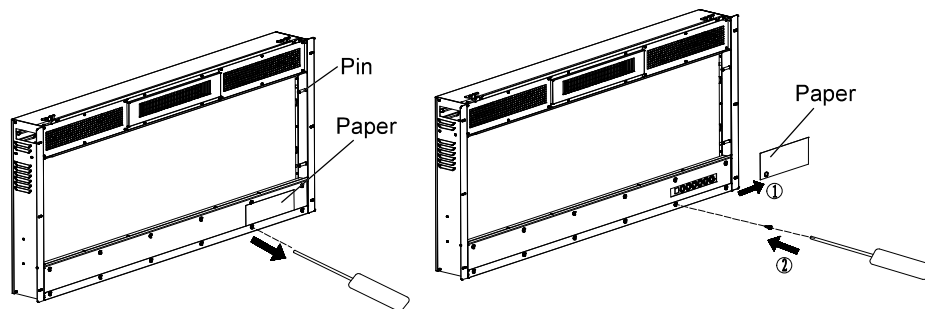
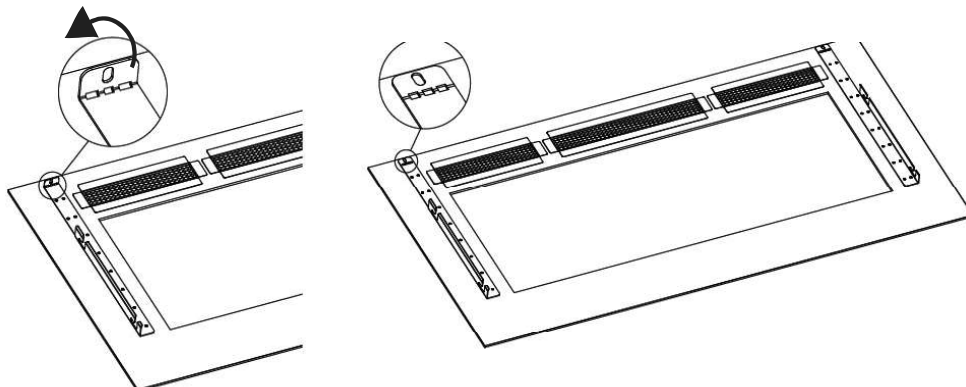
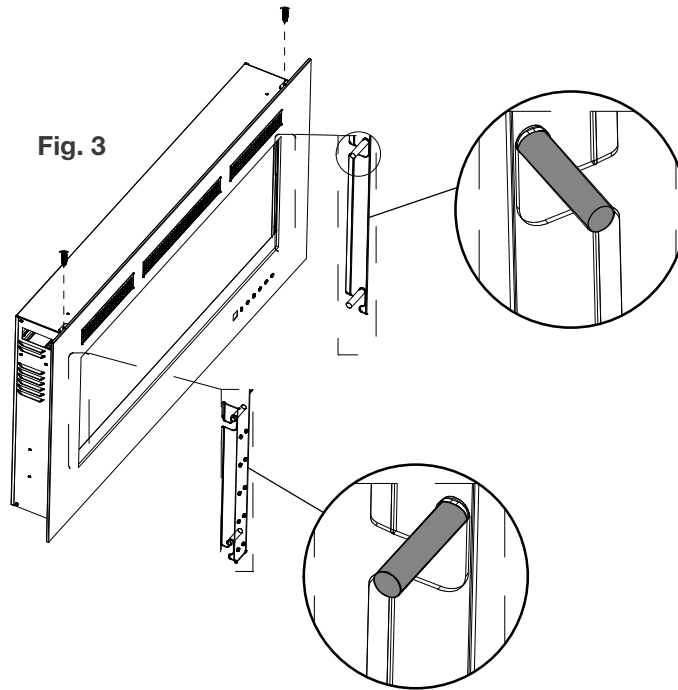


Fig. 2

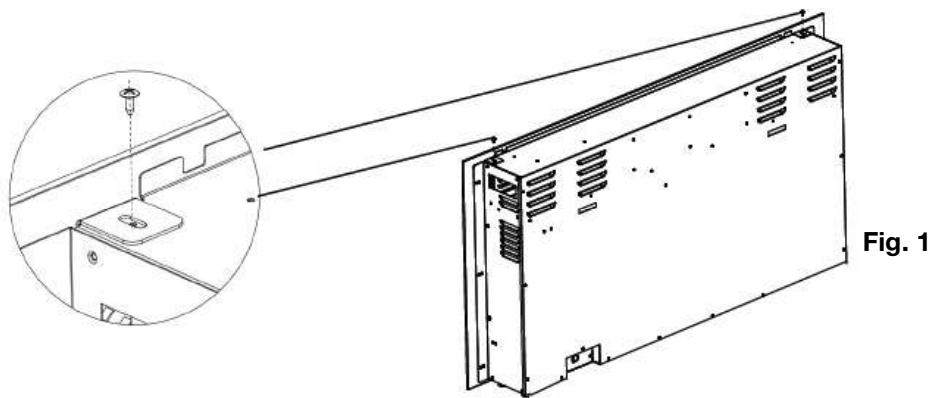




3.2 front glass removal

FOR WALL-MOUNT, PARTIAL-RECESS AND MANTEL-INSTALLED APPLIANCES ONLY:

- A. Remove the 2 screws from the top of the appliance (**Fig. 1**).
- B. Have 2 people lift the glass up and away from the appliance, holding the glass vertical - not flat - while carrying. Place the glass face down onto a soft, non-abrasive surface, being careful not to flex the glass.
- C. Install the crystal embers (see "crystal ember installation" section). Install the front glass by aligning with the pins on the appliance. This ensures the touch display panel performs properly.



3.3 crystal ember installation

The glass front must be removed and the appliance must be secured in its final location before the crystal embers are installed.

- A. Carefully place crystal embers into the bottom media tray on the front of the appliance.
- B. Apply an even layer from side to side.



4.0 operating instructions

WARNING

- While the appliance is operating, do not remove the glass panel. This will cause the remote control and touch panel to disfunction.

Once the appliance has been plugged into a grounded electrical outlet, it is ready to operate.

note:

Ensure the house circuit breakers for the power supply are turned on. In the event of a power failure, the appliance will lose its memory function and will reset to factory mode when the power returns.

4.1 main power button

The main power button is located on the front bottom right side of the appliance.









4.2 operating touch display panel

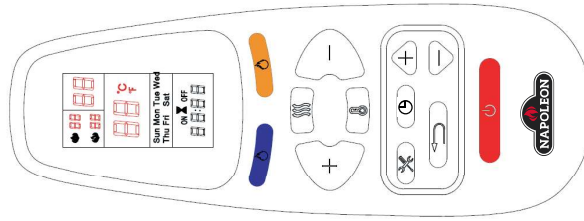
WARNING

- Do not move or remove the glass panel when the appliance is plugged in and operating. This will cause the remote control and touch panel to stop functioning.

The touch display panel is shown by LED's on the front bottom right of the appliance. The LED's will disappear after 10 seconds of no function change. The main power button will be dim.

POWER		Turns the appliance ON/OFF.																																					
FLAME - ORANGE		Controls Orange Flame brightness. 6 Settings: F5-F4-F3-F2-F1-F0. Flame dims from F5 to F1. F5 is the brightest setting and F0 is off.																																					
FLAME - BLUE		Controls Blue Flame brightness. 6 Settings: F5-F4-F3-F2-F1-F0. Flame dims from F5 to F1. F5 is the brightest setting and F0 is off..																																					
HEATER		Turns the heater ON/OFF. (H0) - No heater or blower. (BL) - Blower only. (H1) - Heater blows warm air (950W). (H2) - Heater blows hot air (2000W). NOTE: Heater functions cycle from H0-BL-H1-H2. Press and hold the heater button for 5s to lock the heater and temperature setting onto the selected setting. Hold the button for another 5s to unlock the heater and temperature setting.																																					
TIMER		Turns the timer ON/OFF. 9 Settings: 0.5h, 1h, 2h, 3h, 4h, 5h, 6h, 7h, 8h. Press button until desired setting is reached.																																					
TEMPERATURE		1. Press once to turn the touch panel indicator ON. 2. Press button until desired setting is reached. Digital display shows setting circles as follows: <table border="1" data-bbox="776 1675 1312 1780"> <thead> <tr> <th>Display Value</th> <th>0</th> <th>1</th> <th>2</th> <th>3</th> <th>4</th> <th>5</th> <th>6</th> <th>7</th> <th>8</th> <th>9</th> <th>N</th> </tr> </thead> <tbody> <tr> <td rowspan="2">Temperature</td> <td>°C</td> <td>18</td> <td>19</td> <td>20</td> <td>21</td> <td>22</td> <td>23</td> <td>24</td> <td>25</td> <td>26</td> <td>27</td> <td>ON</td> </tr> <tr> <td>°F</td> <td>64</td> <td>66</td> <td>68</td> <td>70</td> <td>72</td> <td>74</td> <td>76</td> <td>78</td> <td>80</td> <td>82</td> <td>ON</td> </tr> </tbody> </table> NOTE: Holding the button for 5s will switch the temperature from C° to F° and vice versa.	Display Value	0	1	2	3	4	5	6	7	8	9	N	Temperature	°C	18	19	20	21	22	23	24	25	26	27	ON	°F	64	66	68	70	72	74	76	78	80	82	ON
Display Value	0	1	2	3	4	5	6	7	8	9	N																												
Temperature	°C	18	19	20	21	22	23	24	25	26	27	ON																											
	°F	64	66	68	70	72	74	76	78	80	82	ON																											

4.3 operating remote control



POWER		Turns the appliance ON/OFF.
FLAME - ORANGE		Controls Orange Flame brightness. 6 Settings: F5-F4-F3-F2-F1-F0. Flame dims from F5 to F1. F5 is the brightest setting and F0 is off.
FLAME - BLUE		Controls Blue Flame brightness. 6 Settings: F5-F4-F3-F2-F1-F0. Flame dims from F5 to F1. F5 is the brightest setting and F0 is off.
HEATER		Turns the heater ON/OFF. (H0) - No heater or blower. (BL) - Blower only. (H1) - Heater blows warm air (H2) - Heater blows hot air Note: Heater functions cycle from H0-BL-H1-H2. Press and hold the heater button for 5s to lock the heater and temperature setting onto the selected setting. Hold the button for another 5s to unlock and heater and temperature setting.

TIMER SETTINGS ON REMOTE CONTROL

	Timer: Displays current day, time, and week. Press to enter or confirm timer settings.	
	Settings: Press to move to next step (use with Timer button). Press to confirm week timer.	
	Back: Press to clear timer settings. Press to return to the previous step (use with Settings button).	
	Up and Down (use with Settings button).	

LCD Screen


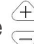


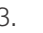


Weekday Mon, Tues, Wed, Thurs, Fri, Sat, Sun		Note: The functions can only be adjusted when the related letters or digits are flashing.
Time Display		
Current Time / Timer From 00: 00 to 24 NOTE: 00-12:00 is AM / 13:00-24:00 is PM		

TEMPERATURE		<p>1. Press once to turn the touch panel indicator ON. 2. Press button until desired setting is reached. Digital display shows setting circles are follows:</p> <table border="1"> <thead> <tr> <th>Display Value</th> <th>0</th> <th>1</th> <th>2</th> <th>3</th> <th>4</th> <th>5</th> <th>6</th> <th>7</th> <th>8</th> <th>9</th> <th>N</th> </tr> </thead> <tbody> <tr> <td rowspan="2">Temperature</td> <td>°C</td> <td>18</td> <td>19</td> <td>20</td> <td>21</td> <td>22</td> <td>23</td> <td>24</td> <td>25</td> <td>26</td> <td>27</td> <td>ON</td> </tr> <tr> <td>°F</td> <td>64</td> <td>66</td> <td>68</td> <td>70</td> <td>72</td> <td>74</td> <td>76</td> <td>78</td> <td>80</td> <td>82</td> <td>ON</td> </tr> </tbody> </table> <p>Note: Holding the button for 5s will switch the temperature from C° to F° and vice versa.</p>	Display Value	0	1	2	3	4	5	6	7	8	9	N	Temperature	°C	18	19	20	21	22	23	24	25	26	27	ON	°F	64	66	68	70	72	74	76	78	80	82	ON
Display Value	0	1	2	3	4	5	6	7	8	9	N																												
Temperature	°C	18	19	20	21	22	23	24	25	26	27	ON																											
	°F	64	66	68	70	72	74	76	78	80	82	ON																											





note:
Buttons without icons are to be considered as buttons without any functions.

operating instructions

4.3.1 set current day and time

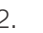


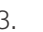

1. Press  once. When "MON" (Monday) begins flashing, use  to select the current day.
2. Press . When the hour digits begin flashing, use  to select the current hour.
3. Press  again. When the minute digits begin flashing, use  to select the current minute.
4. Press  again. The current time is now set.

4.3.2 set ON/OFF time and temperature on a weekly cycle

1. Press . When "MON" begins flashing, press  3 times. When "ON" begins flashing, use  to select the desired hour and minute to turn on the heater. Press  at any time to clear the digits and shut down "ON" timer.



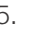



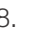

note:

The timer can only be adjusted in 30-minute increments (i.e. 00:00 - 00:30; 00:30 - 01:00, etc.)

2. Press . When "OFF" begins flashing, use  to select the desired hour and minute to turn off the heater. Press  at any time to clear the digits and shut down "OFF" timer.
3. Press  again. When "18" begins flashing, use  to select the desired temperature for Monday.

note:

If the temperature was previously set, those digits will be shown instead of "18".

4. Press  again. When "TUES" appears on the screen and "ON" begins flashing, use  to select the desired hour and minute to turn on the heater for Tuesday.
5. Press  again. When "OFF" begins flashing, use  to select the desired hour and minute to turn off the heater for Tuesday.
6. Press  again. When "18" begins flashing, use  to select the desired temperature for Tuesday.
7. Repeat steps 1 to 6 to set the "ON/OFF" time and temperature for Wednesday, Thursday, Friday, Saturday, and Sunday.
8. Press  or  to complete programming, ensuring to aim the remote control at the receiver, located in the middle of the appliance. The appliance will "beep" once to confirm that programming has been successful.

4.3.3 open window warning

If the room temperature decreases by 10 degrees within 3 minutes, the appliance will assume there is an open window nearby. In order to conserve energy, the heater will automatically switch from High Heat to Low Heat, or if the heater is already at Low Heat, it will turn off completely.

When switching from High Heat to Low Heat, the appliance will beep 3 times and the digital display will flash "88" 3 times before displaying the existing heating status.

When switching from Low Heat to Off, the appliance will beep 3 times and the digital display will flash "88" continuously.

To reset the heating function, see "operating remote control" section.

! WARNING

- In preparation for maintenance, always disconnect the power and allow the electric appliance to cool before performing any cleaning, maintenance, or relocation of this electric appliance. Turn controls to off and remove plug from outlet or turn of the house circuit breaker to electric appliance receptacle.
- Do not install replacement lamps that exceed specified maximum watts.
- The halogen lamps in your appliance can be extremely hot. Allow at least 10 minutes between turning off the appliance and removing the lamps to avoid accidental burns.
- Do not handle the lamp with bare fingers, oils from your skin will damage the lamps when they heat up. use gloves or a clean dry cloth when handling lamps.

5.1 remote battery installation**note:**

The remote control uses two AAA batteries (not included).

! WARNING

- NEVER dispose of batteries in fire. Failure to observe this precaution may result in an explosion. Dispose of batteries at your local hazardous material processing center.

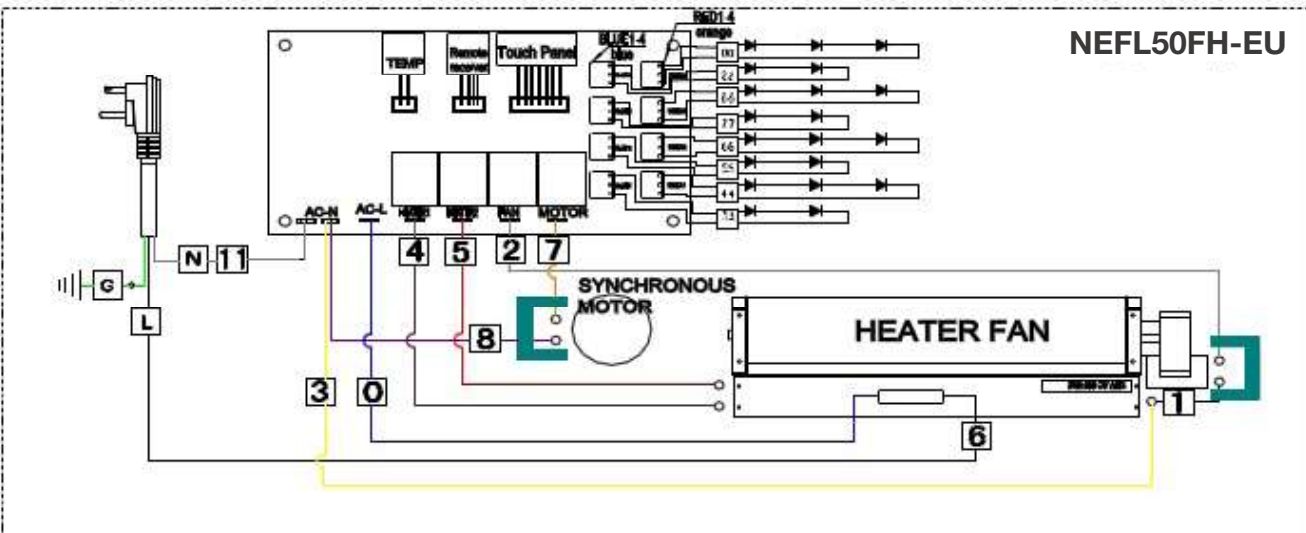
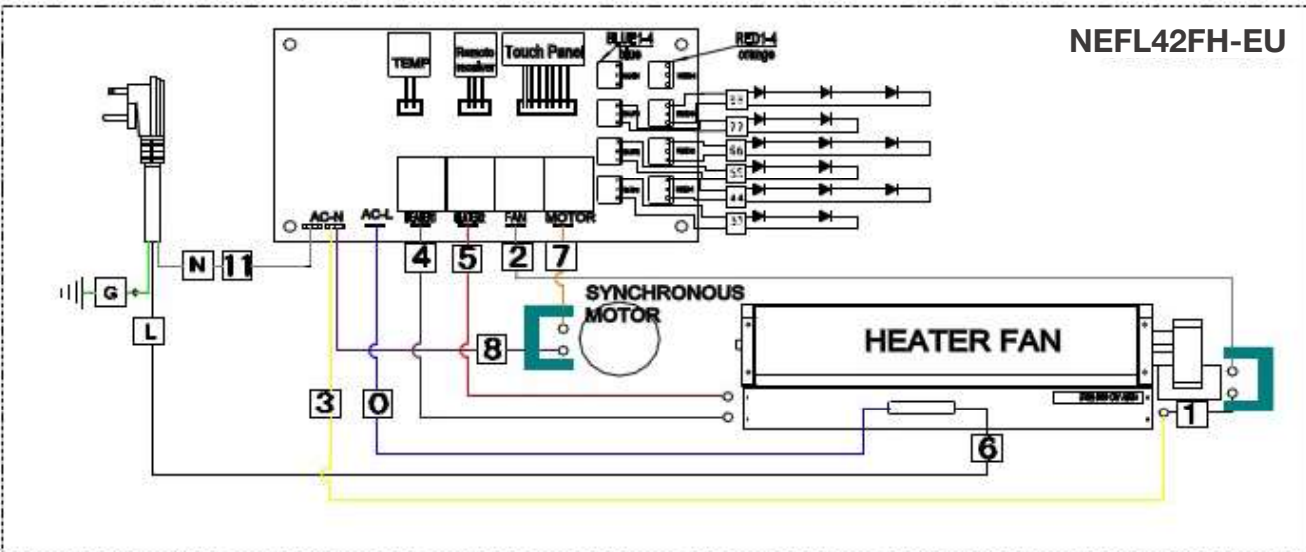
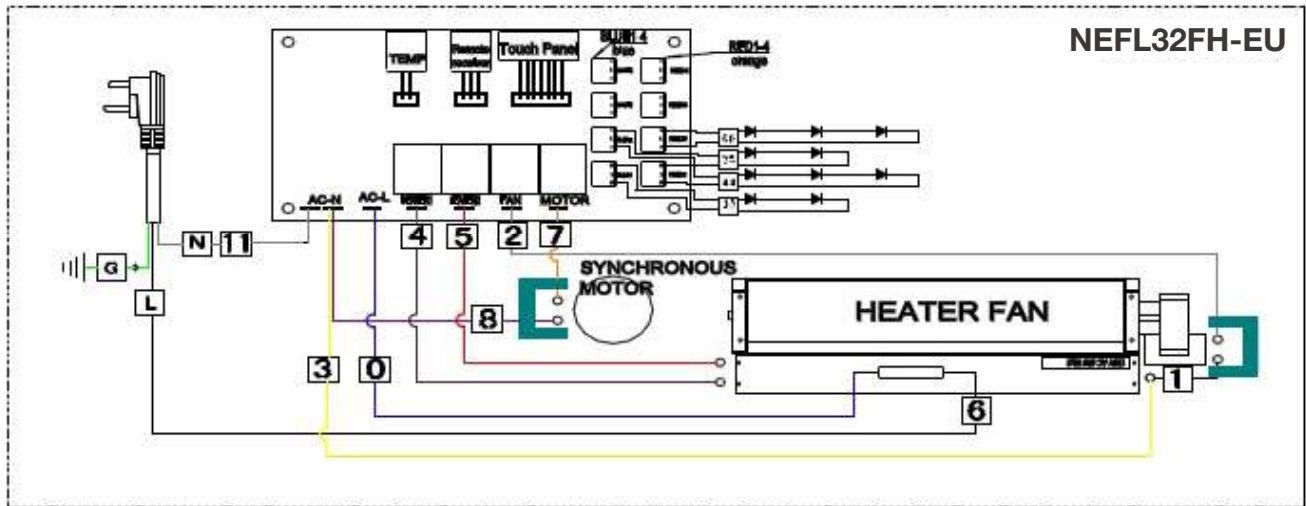
note:

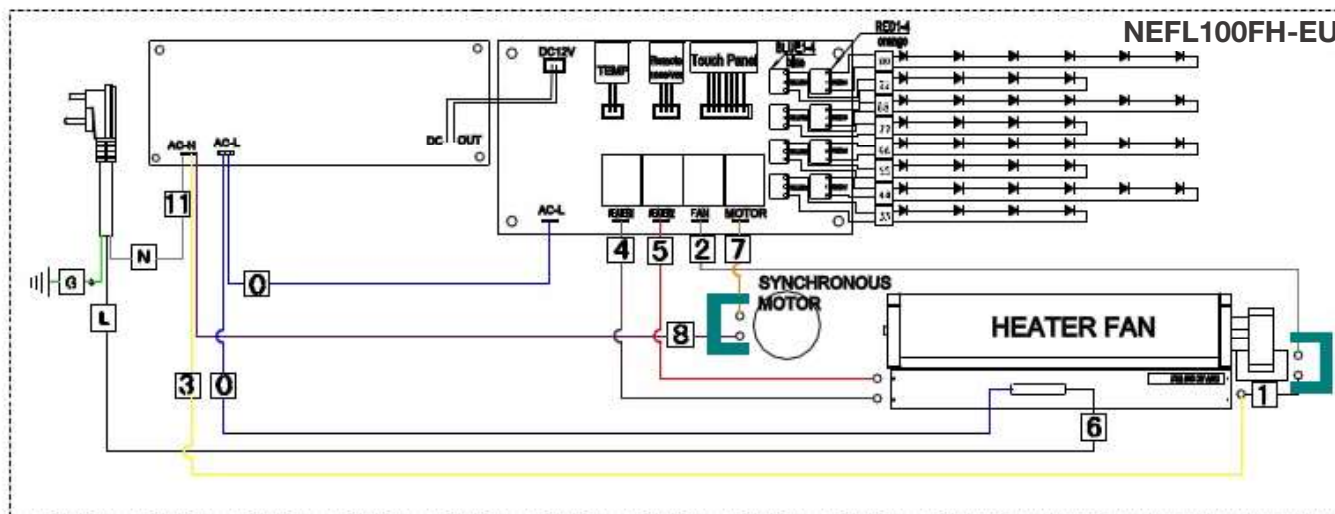
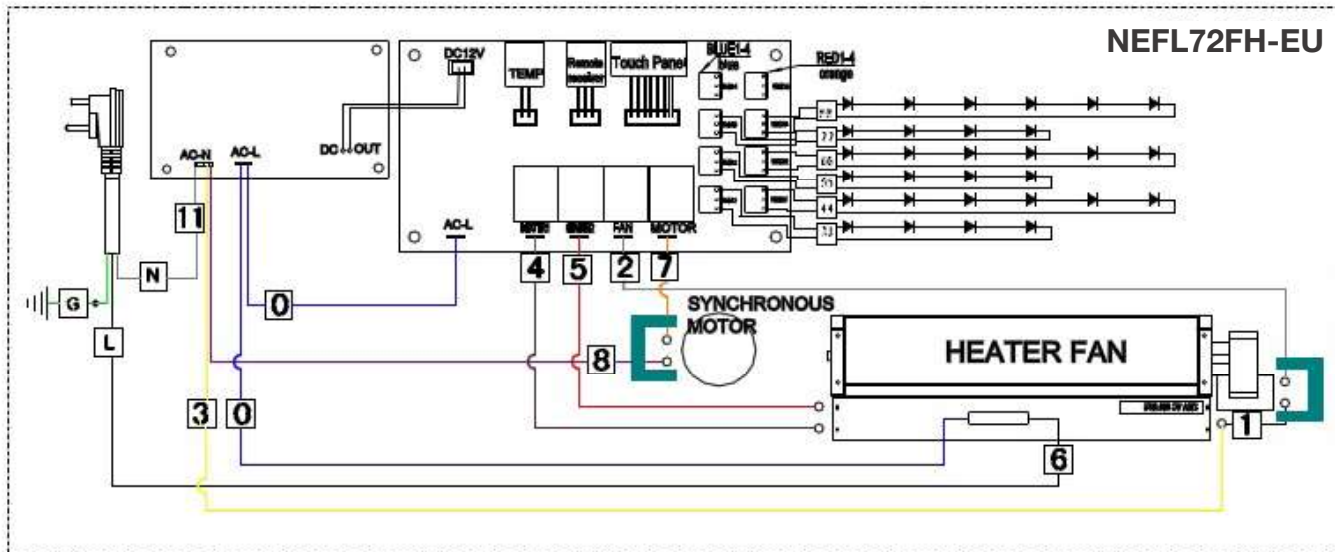
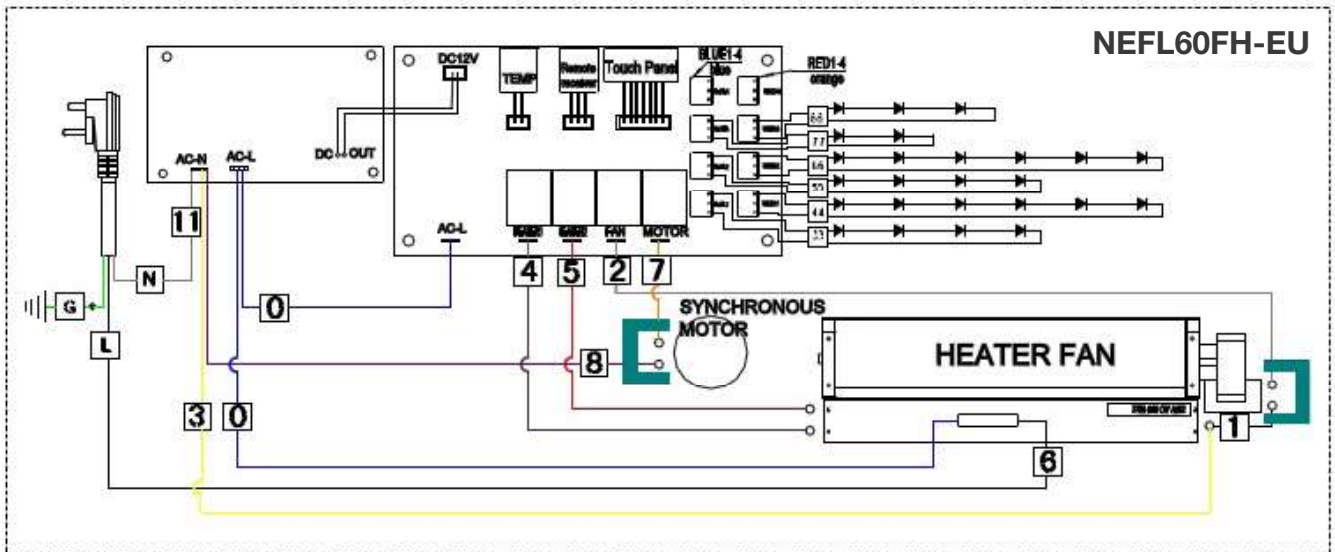
The remote control must remain within 5 meters or 17 feet of the appliance to be effective. This range may be reduced when battery power is depleted.

EN 6.0 wiring diagram

! WARNING

- Turn off the appliance completely and let cool before servicing. Only a qualified service person should service and repair this electric appliance.





WARNING

- Failure to position the parts in accordance with this manual or failure to use only parts specifically approved with this appliance may result in property damage or personal injury.

Contact your dealer for questions concerning prices and policies on replacement parts. Normally, all parts can be ordered through your Authorized dealer / distributor.

For warranty replacement parts, a photocopy of the original invoice will be required to honour the claim.

When ordering replacement parts always give the following information:

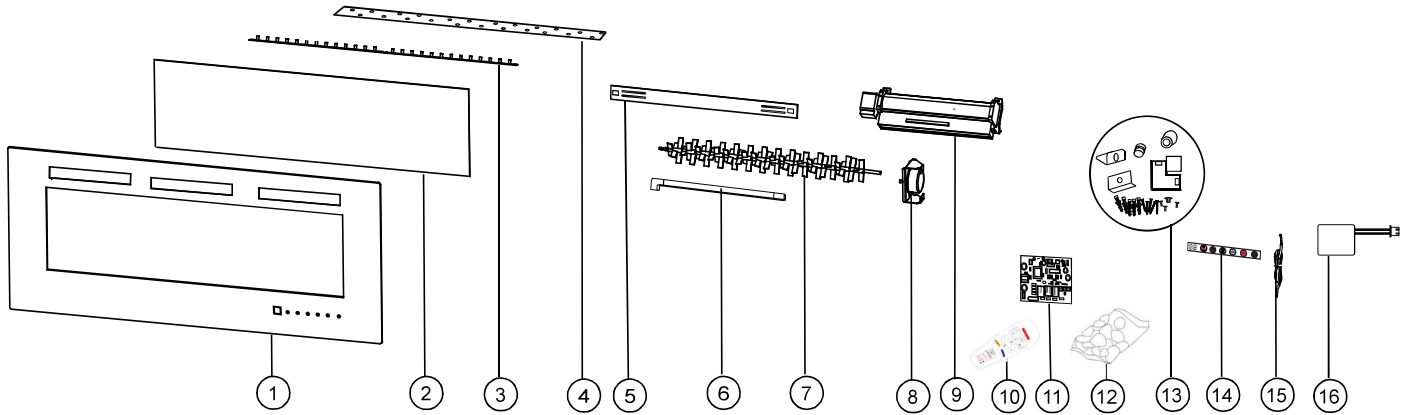
- Model & Serial Number of appliance
- Installation date of appliance
- Part number
- Description of part
- Finish

Parts, part numbers, and availability are subject to change without notice.

Parts identified as stocked will be delivered within 2 to 5 business days for most delivery destinations.

Parts not identified as stocked will be delivered within a 2 to 4 week period, for most cases.

Parts identified as 'SO' are special order and can take up to 90 days for delivery.



Items may not appear exactly as illustrated.

REF.	NEFL32FH-EU	NEFL42FH-EU	NEFL50FH-EU	NEFL60FH-EU	NEFL72FH-EU	NEFL100FH-EU	Description
1	W300-0226	W300-0224	W300-0227	W300-0228	W300-0229	W300-0230	Front Glass
2	W475-1192	W475-1185	W475-1193	W475-1194	W475-1195	W475-1196	Acrylic Plastic Panel
3	W405-0033			W405-0033 + W405-0037	W405-0033 + W405-0037	W405-0033 + W405-0037	LED Light
4	W497-0014	W497-0013	W497-0015	W497-0016	W497-0017	W497-0018	Plastic Strip
5	W080-1616-SER					W080-1621	Wall Mounting Bracket
6	W200-0571	W200-0572-SER	W200-0572-SER	W200-0572-SER	W200-0572-SER	W200-0572-SER	Cord Cover
7	W527-0009	W527-0008	W527-0010	W527-0011	W527-0012	W527-0013	Reflector Spindle
8	W435-0087						Synchronous Motor (EU)
9	W062-0073						Blower and Heater Assembly (EU)
10	W190-0138						Remote Control
11	W190-0139			W190-0140			Circuit Board (EU)
12	W497-0019	W497-0020	W497-0021	W497-0022	W497-0023	W497-0024	Crystals
13	W370-0050			W370-0055		W370-0057	Hardware Kit
14	W475-1184						Control Panel (With Remote Receiver)
15	W750-0370	W750-0371	W750-0372	W750-0373	W750-0374	W750-0375	Wire Harness
16	W690-0021						Thermostat
17*	W005-0023-SER						UK Adapter
18*	W005-0024-SER						Swiss Adapter

* Parts not illustrated.

8.0 troubleshooting

WARNING

- Turn off the appliance completely and let cool before servicing. Only a qualified service person should service and repair this electric appliance.

symptom	problem	solution
Appliance will not come on when power button/ switch is put into the "on" position.	Appliance is not plugged into an electrical outlet.	Check plug, and plug in the appliance if necessary.
	Hard-wire connections are not correct (if applicable).	See "hard-wiring installation" section.
	Appliance has overheated and safety thermal switch has tripped.	Unplug power cord and allow appliance to cool for 15 minutes, then plug in the power cord and turn the power ON.
	Main PCB board issue.	Inspect the circuit board and replace, if necessary.
Appliance turns off and will not turn on.	House circuit breaker has tripped.	Reset house circuit breaker.
	Appliance's fuse has blown.	Replace the fuse.
	Appliance has overheated and safety thermal switch has tripped.	Unplug power cord and allow appliance to cool for 15 minutes, then plug in the power cord and turn the power ON.
Remote control does not work.	Low/dead batteries.	Replace batteries in remote control.
	Remote receiver malfunction.	Ensure remote receiver is not blocked. Replace control panel.
No warm air coming out of the appliance.	Heater setting not selected.	See "operation" section.
	Heater has been locked out.	See "operation" section.
	Room temperature is higher than appliance setting (if set to room temperature).	Reset temperature setting.
	Appliance has overheated and safety thermal switch has tripped.	Unplug power or turn off the circuit breaker. Allow for appliance to cool for 15 minutes.
	Hard-wire connections are not correct (if applicable).	See "hard-wiring installation" section.
	Heater issue.	Inspect the blower and heater and replace, if necessary.
Heater shuts off automatically.	Room is too warm.	The heater has a built-in thermostat so it will shut off automatically once the pre-set temperature is reached. It will also turn on automatically if the room temperature drops below the pre-set temperature.
Dim or no flame.	Flame brightness not selected.	See "operation" section.
	Flame LEDs issue.	Inspect the LED and replace, if necessary.
	Main PCB board issue.	Inspect the main PCB board and replace, if necessary.
Touch panel / remote control do not work.	The front glass is moved or not secured properly.	Unplug the appliance, if the appliance is recessed to the wall, shut off house circuit breaker. Ensure the front glass is in the correct location and is sitting flat to the appliance touch panel. After 10 seconds, plug or turn on the appliance to reset it.
Ember bed is not glowing or dimming.	Brightness not selected.	See "operation" section.
	Ember LED issue.	Inspect the ember bed LEDs and replace, if necessary.
	Main PCB board issue.	Inspect the main PCB board and replace, if necessary.

note:

Care must be taken when removing and disposing of any broken glass or damaged components. Be sure to vacuum up any broken glass from inside the appliance before operation.

Napoleon electric appliances are manufactured under the strict Standard of the world recognized ISO 9001 : 2015 Quality Management System.

Napoleon products are designed with superior components and materials and assembled by trained craftsmen who take great pride in their work. Once assembled, the complete appliance is thoroughly inspected by a qualified and authorized installer, service agency, or supplier before packing to ensure that you, the customer, receive the quality product that you expect from **Napoleon**.

Napoleon Electric Appliance Limited Warranty

Electrical components and wearable parts are covered and **Napoleon** will provide replacement parts free of charge during the first 2 years of limited warranty. This covers: fan/heaters, motors, switches, nylon bearing components, remote controls, and LED lights.*

Light bulbs and fuses are NOT covered by the warranty.

Any labour related to warranty repair is not covered.

* Construction of models vary. Warranty applies only to components included with your specific appliance.

Conditions and Limitations

Napoleon warrants its products against manufacturing defects to the original purchaser only. Registering your warranty is not necessary. Simply provide your proof of purchase along with the model and serial number to make a warranty claim. Provided that the purchase was made through an authorized **Napoleon** dealer, your appliance is subject to the following conditions and limitations:

Warranty coverage begins on the date of original installation.

This factory warranty is non-transferable and may not be extended whatsoever by any of our representatives.

Installation must be done in accordance with the installation instructions included with the product and all local and national building and fire codes.

This limited warranty does not cover damages caused by misuse, lack of maintenance, accident, alterations, abuse, or neglect and parts installed from other manufacturers will nullify this warranty.

This limited warranty further does not cover any scratches, dents, corrosion, or discolouring caused by excessive heat, abrasive and chemical cleaners, nor chipping on porcelain enamel parts, mechanical breakage of PHAZER™ logs.

In the first 2 years only, this warranty extends to the repair or replacement of warranted parts which are defective in material or workmanship, provided that the product has been operated in accordance with the operation instructions and under normal conditions.

Napoleon will not be responsible for installation, labour, or any other expenses related to the reinstallation of a warranted part, and such expenses are not covered by this warranty. Notwithstanding any provisions contained in the Limited Warranty, **Napoleon** responsibility under this warranty is defined as above, and it shall not in any event extend to any incidental, consequential, or indirect damages.

This warranty defines the obligations and liability of **Napoleon** with respect to the **Napoleon** electric appliance and any other warranties expressed or implied with respect to this product; its components or accessories are excluded.

Napoleon neither assumes, nor authorizes any third party to assume, on its behalf, any other liabilities with respect to the sale of this product.

Any damages to appliance, brass trim or other component due to water, weather damage, long periods of dampness, condensation, damaging chemicals, or cleaners will not be the responsibility of **Napoleon**.

Napoleon reserves the right to have its representative inspect any product or part thereof prior to honouring any warranty claim.

All parts replaced under the Limited Warranty Policy are subject to a single claim.

All parts replaced under the warranty will be covered for a period of 90 days from the date of their installation.

The manufacturer may require that defective parts or products be returned or that digital pictures be provided to support the claim. Returned products are to be shipped prepaid to the manufacturer for investigation. If a product is found to be defective, the manufacturer will repair or replace such defect.

Before shipping your appliance or defective components, your dealer must obtain an authorization number. Any merchandise shipped without authorization will be refused and returned to sender.

Shipping costs are not covered under this warranty.

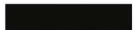
Additional service fees may apply if you are seeking warranty service from a dealer.

All specifications and designs are subject to change without prior notice due to on-going product improvements. **Napoleon** is a registered trademark of Wolf Steel Ltd.

NAPOLEON CELEBRATING OVER 40 YEARS OF HOME COMFORT PRODUCTS



WEEE:



Meaning of crossed-out wheeled dustbin:

Do not dispose of electrical appliances as unsorted municipal waste, use separate collection facilities. Contact your local government for information regarding the collection systems available. If electrical appliances are disposed of in landfills or dumps, hazardous substances can leak into the groundwater and get into the food chain, damaging your health and well-being.

When replacing old appliances with new ones, the retailer is legally obligated to take back your old appliance for disposals at least free of charge.

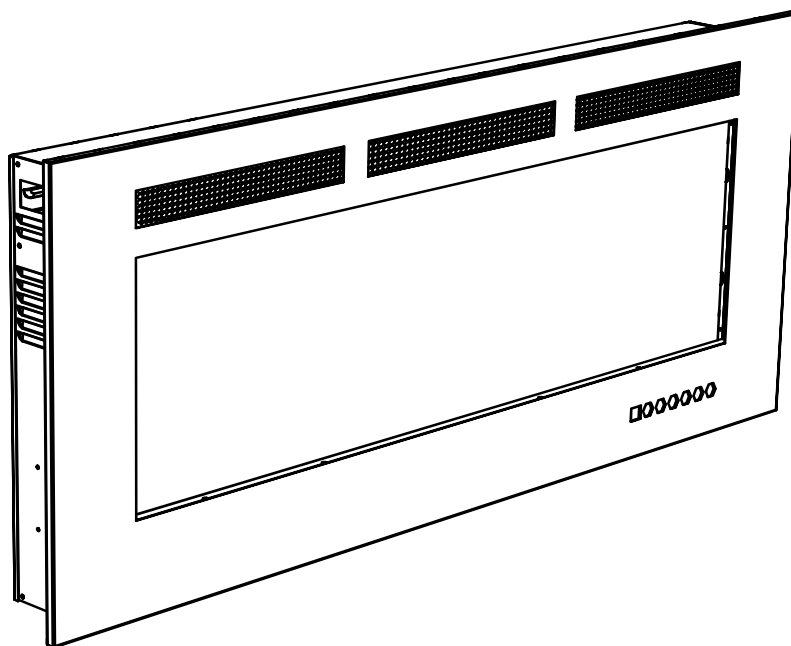


7200, Route Transcanadienne, Montréal, Québec H4T 1A3
24 Napoleon Road, Barrie, Ontario, Canada L4M 0G8
214 Bayview Drive, Barrie, Ontario, Canada L4N 4Y8
103 Miller Drive, Crittenden, Kentucky, USA 41030
De Riemsdijk 22, 4004 LC Tiel, The Netherlands
napoleon.com



MANUEL D'INSTALLATION ET D'UTILISATION

Série Allure^{MD}
(Modèle NEFL50FH-EU illustré)



CONSIGNES DE SÉCURITÉ

⚠ AVERTISSEMENT

RISQUE D'INCENDIE OU D'EXPLOSION

Si ces instructions ne sont pas suivies à la lettre, un incendie pourrait s'ensuivre causant des dommages matériels, des blessures corporelles ou des pertes de vie.

- N'entreposez pas et n'utilisez pas d'essence ou autres liquides et vapeurs inflammables à proximité de cet appareil ou tout autre appareil.

INSTALLATEUR:

Laissez ce manuel avec l'appareil

PROPRIÉTAIRE:

Conservez ce manuel pour consultation ultérieure.

Remarque :

La télécommande de cet appareil fonctionne avec deux piles de type AAA. Les piles ne sont pas fournies.



POUR L'UTILISATION INTÉRIEUR SEULEMENT



Wolf Steel Europe B.V.
De Riemsdijk 22, 4004 LC Tiel, Pays-Bas



AVERTISSEMENT

- **Si l'appareil est équipé d'un élément chauffant, il peut devenir chaud lorsqu'il est en fonctionnement et peut causer de graves brûlures en cas de contact.**
- Ne pas utiliser l'appareil avant d'avoir lu et compris le mode d'emploi. Toute utilisation non conforme de l'appareil pourrait provoquer un incendie ou entraîner des blessures.
- Ne pas installer de composants endommagés, incomplets ou de rechange.
- Ne pas faire brûler de bois ou d'autres matières dans cet appareil.
- Tous les appareils électriques contiennent des pièces qui peuvent chauffer ou produire des arcs électriques ou des étincelles. Ne pas utiliser à proximité d'un conduit de gaz, de peinture ou de liquides inflammables.
- Tout écran ou dispositif de protection retiré à des fins d'entretien doit être réinstallé avant l'utilisation de l'appareil.
- Il est impératif que les compartiments de contrôle, la soufflerie et les conduites de l'appareil restent propres. L'appareil doit faire l'objet d'une inspection avant toute utilisation et au moins une fois par an par un agent de service qualifié. Un nettoyage plus fréquent peut être nécessaire afin d'éviter l'accumulation de peluches provenant des moquettes, du linge de lit, etc. L'appareil doit être placé dans une zone exempte de matériaux combustibles, de carburant et autres liquides ou vapeurs inflammables.
- Cet appareil ne doit en aucun cas être modifié.
- Ne pas utiliser cet appareil si une partie de celui-ci, quelle qu'elle soit, a été submergée. Contacter immédiatement un agent de service qui devra inspecter l'appareil et remplacer toute pièce du système de commande qui a été submergée.
- Ne pas utiliser l'appareil si le verre avant a été retirée, fissurée ou cassée. Le remplacement de la vitre doit être effectué par un technicien de service agréé ou qualifié.
- Ne pas cogner ou claquer le verre avant de l'appareil.
- Garder le matériau d'emballage hors de portée des enfants et éliminer les emballages de manière sûre. Les sacs plastiques ne sont pas des jouets et doivent être tenus à l'écart des enfants et des bébés.
- L'entretien ne doit être effectué qu'une fois l'appareil débranché du secteur.
- Toujours débrancher l'appareil lorsqu'il n'est pas utilisé.
- Ne pas utiliser l'appareil si la prise ou le cordon d'alimentation est endommagé(e), si l'appareil ne fonctionne pas correctement, s'il est tombé ou s'il a été endommagé de quelque manière que ce soit. Renvoyer l'appareil au service autorisé à des fins d'examen, de modification électrique ou mécanique, ou de réparation.
- Ne pas utiliser en extérieur.
- Ne jamais placer l'appareil dans une position où il pourrait tomber dans une baignoire ou un autre récipient d'eau.
- Ne pas faire passer le cordon d'alimentation sous une moquette. Ne pas faire passer le cordon d'alimentation sous un tapis ou tout autre matériau textile. Placer le cordon d'alimentation à l'abri des zones de passages fréquents afin d'éviter de trébucher.
- Brancher l'appareil uniquement à des prises correctement mises à la terre.
- S'assurer qu'aucun corps étranger ne pénètre dans les bouches de ventilation ou de sortie d'air, au risque de recevoir une décharge électrique, de déclencher un incendie ou d'endommager l'appareil.

AVERTISSEMENT

- Afin d'éviter qu'un incendie ne se déclenche, ne pas obstruer les arrivées ou évacuations d'air de quelque manière que ce soit. Ne pas poser l'appareil sur une surface molle, comme un tapis, pouvant obstruer les ouvertures.
- Toujours brancher les appareils directement à une prise murale. Ne jamais utiliser de rallonge ou de source d'alimentation portable (rallonge multiprise).
- Ces appareils ont été testés et homologués pour une utilisation uniquement avec les accessoires mentionnés dans ce manuel. L'utilisation d'accessoires non testés spécifiquement pour cet appareil pourrait annuler la garantie et/ou poser des risques en matière de sécurité.

Pour les appareils équipés d'un élément chauffant :

- Risques de brûlures. Avant tout entretien, éteindre l'appareil et attendre qu'il refroidisse. Pour couper l'alimentation électrique, éteindre l'appareil puis débrancher la prise murale.
- Les jeunes enfants ne devraient pas être laissés sans surveillance lorsqu'ils se trouvent dans la même pièce que l'appareil. Les bébés, les enfants en bas âge et toute autre personne à risque pourraient s'exposer à des brûlures accidentelles. Il est conseillé de protéger toute personne à risque en plaçant une barrière physique devant l'appareil. Pour restreindre l'accès à un appareil électrique ou à un poêle, installer une barrière de sécurité réglable afin d'empêcher les bébés, les enfants en bas âge et les personnes à risque de pénétrer dans la pièce, et ainsi de les tenir à l'abri des surfaces brûlantes.
- Ne placer aucun vêtement ou matière inflammable sur ou à proximité de l'appareil.
- En raison des températures élevées qu'il produit, l'appareil ne doit pas être placé dans une zone de passages fréquents ou à proximité de meubles et draperies.
- Veiller à ce que des mesures de sécurité adéquates soient mises en place pour empêcher les bébés/enfants en bas âge d'entrer en contact avec les surfaces brûlantes.
- Lorsque l'appareil est éteint, la vitre et/ou l'écran reste chaud(e) pendant un certain temps.
- Consulter un détaillant local d'appareils de chauffage pour obtenir un écran de sécurité ou un pare-feu destiné à protéger les enfants des surfaces brûlantes. Ces écrans et pare-feux doivent être fixés au sol.
- Lors de l'installation d'un manteau de cheminée ou d'une étagère, veiller à laisser une distance suffisante au-dessus de l'appareil afin d'éviter tout contact avec les matériaux combustibles. Les températures élevées du mur ou de l'air au-dessus de l'appareil peuvent causer la fonte, la décoloration ou la détérioration d'objets de décoration, de télévisions et d'autres composants électroniques.
- L'appareil de chauffage ne doit pas être installé juste en dessous d'une prise de courant.
- Cet appareil peut être utilisé par des enfants âgés de plus de 8 ans, ainsi que par des personnes inexpérimentées ou manquant de connaissances dans ce domaine, ou souffrant d'un handicap physique, sensoriel ou mental, dans la mesure où ces personnes ont été guidées ou informées concernant l'utilisation de cet appareil en toute sécurité, et qu'elles ont compris les risques encourus. Cet appareil n'est pas un jouet. Le nettoyage et la maintenance de l'appareil ne doivent pas être effectués par des enfants sans supervision.

 AVERTISSEMENT: Ce produit peut vous exposer à des substances chimiques incluant le plomb et les composés de plomb qui, selon l'État de Californie, causeraient le cancer, et des substances chimiques incluant le BBP et DEHP qui, selon l'État de Californie, causeraient des malformations congénitales ou autres dangers pour la reproduction. Pour de plus amples renseignements, visitez le www.P65Warnings.ca.gov.

table de matières

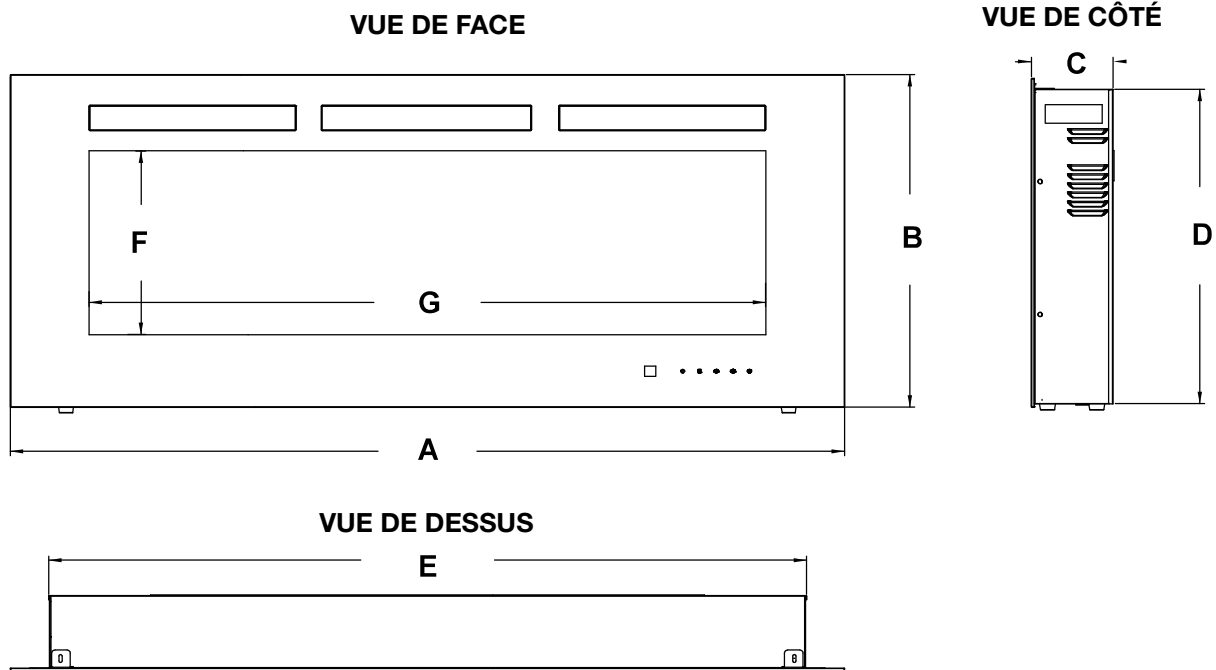
FR

1.0	information générale	5
1.1	dimensions	5
1.2	information sur le produit	5
1.3	instructions générales	6
1.4	déballage et test de l'appareil	6
1.5	liste du matériel	7
1.6	informations de la plaque signalétique	8
1.7	emplacement de l'appareil	8
2.0	installation	9
2.1	espace minimum requis pour les matériaux combustibles	9
2.2	espace minimum requis pour le manteau	9
2.3	cadre	10
2.4	installation de l'appareil	11
2.5	encastrement de l'appareil dans un mur	12
2.6	installation de l'appareil dans un manteau	13
2.7	installation des pieds en caoutchouc	14
2.8	installation du raccordement câblé	15
3.0	finitions	16
3.1	installation de la vitre	16
3.2	retrait de la vitre	17
3.3	installation des braises en cristal	17
4.0	mode d'emploi	18
4.1	interrupteur principal	18
4.2	utilisation du panneau de commande tactile	18
4.3	utilisation de la télécommande	19
4.3.1	réglage de la date et l'heure	20
4.3.2	réglage des temps d'allumage et de la température par cycle hebdomadaire	20
4.3.3	détection de fenêtre ouverte	20
5.0	entretien	21
5.1	installation de la pile de la télécommande	21
6.0	schéma de câblage	22
7.0	pièces de rechange	24
8.0	dépannage	26
9.0	garantie	28
10.0	notes	29

Remarque :

Toute modification, autre qu'éditoriale, est signalée par une ligne verticale dans la marge.

1.1 dimensions



1.2 information sur le produit

Cet appareil a été testé selon les normes GS européennes pour appareils de chauffage électriques installés de façon permanente. Si vous avez besoin d'aide pendant l'installation, veuillez contacter votre détaillant local.

Dimensions							
	A	B	C	D	E	F	G
NEFL32FH-EU	813 mm	550 mm	127 mm	520 mm	694 mm	304 mm	567 mm
NEFL42FH-EU	1 067 mm				951 mm		821 mm
NEFL50FH-EU	1 270 mm				1 154 mm		1 024 mm
NEFL60FH-EU	1 524 mm				1 405 mm		1 278 mm
NEFL72FH-EU	1 830 mm				1 711 mm		1 583 mm
NEFL100FH-EU	2 540 mm				2 422 mm		2 300 mm

N° de modèle	Poids net	Poids brut	Description
NEFL32FH-EU	15,7 kg	22,8 kg	Appareil électrique
NEFL42FH-EU	20,1 kg	27,3 kg	Type Appareil à 3 options de montage : fixé au mur, encastré ou encadré d'un manteau
NEFL50FH-EU	23,1 kg	31,44 kg	Tension 220-240 V CA
NEFL60FH-EU	27,8 kg	37,17 kg	Watts MAX. 1 750 - 2 000 W
NEFL72FH-EU	37,1 kg	53,2 kg	
NEFL100FH-EU	50,5 kg	72,3 kg	

1.3 instructions générales

- Avant de brancher l'appareil à une prise électrique, vérifier que les disjoncteurs de la prise sont enclenchés.
- L'appareil peut dégager une odeur légère, sans danger, lors de la première utilisation. Cette odeur est normale. Elle provient de la mise en chauffe initiale des éléments internes de l'appareil et elle ne se reproduira pas.
- Si l'appareil n'émet pas de chaleur lorsqu'il le devrait, consulter la section « mode d'emploi » de ce manuel pour en savoir plus.
- Utiliser un parasurtenseur homologué CE ou GS.
- Ne pas faire passer le cordon d'alimentation directement sous l'appareil.

Cet appareil électrique est conforme aux normes de fabrication et de sécurité définies par le département du Logement et du Développement urbain des États-Unis (HUD) à des fins d'utilisation dans des maisons préfabriquées, lorsque l'appareil est installé conformément à ces instructions.

Comme pour la plupart des dispositifs électroniques, cet appareil électrique a été conçu pour fonctionner entre 5 °C et 35 °C. Durant les mois d'hiver généralement plus froids, laisser l'appareil atteindre la température ambiante avant de l'allumer.

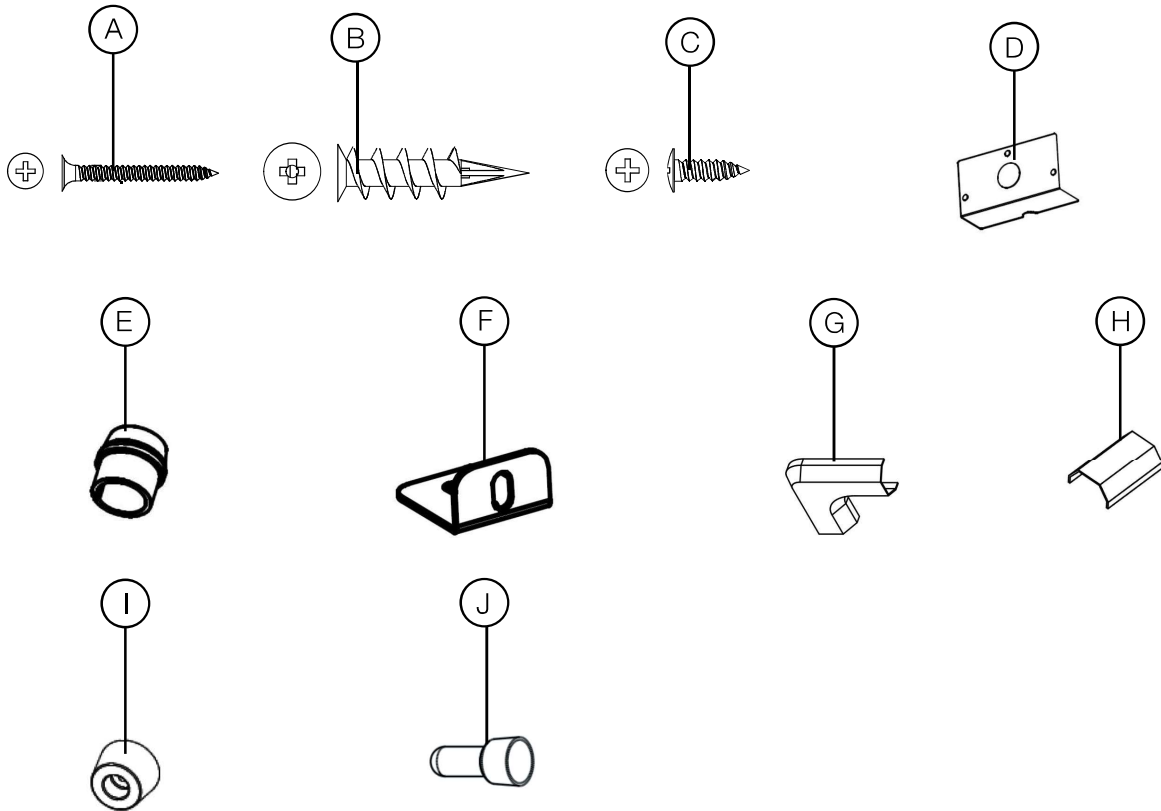
1.4 déballage et test de l'appareil

Retirer délicatement l'appareil de la boîte. Avant d'installer l'appareil, s'assurer de son bon fonctionnement en branchant le câble d'alimentation dans une prise de terre de 220-240 V, minimum 10 A prévue à cet effet.

Remarque :

Sur le modèle NEFL72/100FH-EU, la vitre n'est pas installée à la livraison (voir la section « Installation de la vitre »).

1.5 liste du matériel



Réf.	Description	Quantité					
		NEFL32FH-EU	NEFL42FH-EU	NEFL50FH-EU	NEFL60FH-EU	NEFL72FH-EU	NEFL100FH-EU
A	Vis à bois		6		12		16
B	Cheilles pour placoplâtre		6		12		16
C	Vis à métal			8			
D	Plaque de recouvrement			1			
E	Serre-câble			1			
F	Support métallique			4			
G	Angle de goutte			4			
H	Angle de goutte	4			2		
I	Pied en caoutchouc		4			6	
J	Serre-fils			3			

information générale

FR

1.6 informations de la plaque signalétique

ELECTRIC FIREPLACE, SUITABLE FOR BEDROOM AND BED-SITTING ROOM INSTALLATION, SUITABLE FOR MOBILE HOME INSTALLATION.

VOLTAGE: 220-240 VAC
FREQUENCY: 50Hz
POWER: 1750-2000W
DATE CODE: XXXXX

MODELS

<input type="checkbox"/> NEFL32FH-EU	<input type="checkbox"/> NEFL60FH-EU	<input type="checkbox"/> NEFL32FH-MT-EU	<input type="checkbox"/> NEFL60FH-MT-EU
<input type="checkbox"/> NEFL42FH-EU	<input type="checkbox"/> NEFL72FH-EU	<input type="checkbox"/> NEFL42FH-MT-EU	<input type="checkbox"/> NEFL72FH-MT-EU
<input type="checkbox"/> NEFL50FH-EU	<input type="checkbox"/> NEFL100FH-EU	<input type="checkbox"/> NEFL50FH-MT-EU	<input type="checkbox"/> NEFL100FH-MT-EU

Manufacturer: Wolf Steel Ltd.
24 Napoleon Road,
Barrie, ON, L4M 0G8 Canada

Importer: Wolf Steel Europe BV
De Riemsdijk 22, 4004 LC Tiel,
The Netherlands

DESIGNED IN NORTH AMERICA
BY WOLF STEEL LTD.
MADE IN CHINA

SERIAL NUMBER: NEFLXX## W385-2178 / C




Illustration affichée à titre de référence. Pour des informations précises, consulter la plaque signalétique.

Remarque :

La plaque signalétique doit toujours rester à proximité de l'appareil. Elle ne doit pas être retirée.

1.7 emplacement de l'appareil

! AVERTISSEMENT

- En raison des températures élevées qu'il produit, cet appareil électrique ne doit pas être placé dans une zone de passages fréquents. Maintenir toute matière combustible, tels que des meubles, des coussins, du linge de lit, du papier, des vêtements, des rideaux et autres objets similaires à au moins 91,44 cm de l'avant de l'appareil.
- Ne jamais placer cet appareil électrique dans une position où il pourrait tomber dans une baignoire ou un autre récipient d'eau.
- Porter des gants et des lunettes de protection pendant l'installation et la maintenance.
- Afin d'éviter tout contact avec un affaissement ou une partie détachée de l'isolant, l'appareil électrique ne doit pas être installé contre un pare-vapeur ou un isolant exposé. Une surchauffe localisée pourrait se produire et risquer de provoquer un incendie.
- L'appareil électrique ne doit pas être exposé aux éléments (pluie, neige, etc.).

! AVERTISSEMENT

- Risque d'incendie! Le cordon d'alimentation ne doit pas être coincé contre une arrête vive. Fixez le cordon pour éviter les chutes ou les accrochages afin de réduire le risque d'incendie, de choc électrique ou de blessures corporelles. Ne passez pas le cordon d'alimentation sous un tapis. Ne recouvrez pas le cordon avec des carpettes, des tapis de couloir ou autres revêtements similaires. Évitez de placer le cordon dans un endroit passant ou à un endroit où il risque de causer des chutes.
- Risque d'incendie! Pour prévenir les risques d'incendie, ne bloquez pas les entrées d'air et les sorties d'air de quelque manière que ce soit. Ne placez pas cet appareil sur une surface molle où les ouvertures pourraient se bloquer.
- Risque d'incendie! Ne soufflez pas ou ne placez pas d'isolant contre l'appareil.
- Cet appareil électrique a été testé et homologué pour usage avec les accessoires optionnels listés dans ce manuel uniquement. L'utilisation d'accessoires optionnels qui n'ont pas été spécifiquement testés pour cet appareil électrique annulera la garantie de l'appareil et/ou présentera des risques pour la sécurité.
- Si ces instructions ne sont pas suivies à la lettre, un incendie ou une explosion pourraient s'ensuivre, causant des dommages matériels, des blessures corporelles ou des pertes de vie. N'entreposez pas et n'utilisez pas d'essence ou autres vapeurs inflammables à proximité de cet appareil ou tout autre appareil.
- Étant donné la lourdeur de cet appareil, il est recommandé que deux personnes en fassent l'installation.
- Si votre appareil est équipé avec chauffage, assurez-vous que les ouvertures de la chauffage ne peut pas, dans aucune façon, être recouverts car il peut provoquer un incendie.
- N'exécutez pas le cordon d'alimentation horizontalement, directement en dessous de l'appareil.

Votre appareil peut être fixé au mur, encastré ou encadré d'un manteau. Choisir un emplacement adapté, à l'abri de l'humidité, sans passages fréquents et sans meubles et tissus à proximité.

Remarque :

Suivre toutes les réglementations électriques locales et nationales.

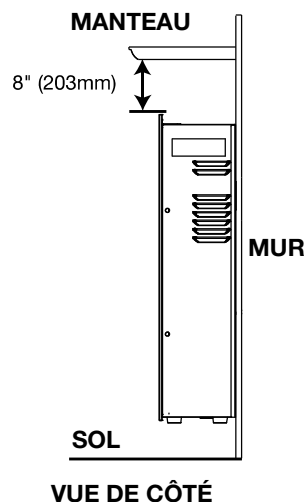
2.1 espace minimum requis pour les matériaux combustibles

Les mesures sont prises à partir de la vitre :	
Bas	0 mm
Côtés	
Arrière	
Haut	20,3 cm du plafond/manteau

2.2 espace minimum requis pour le manteau

! AVERTISSEMENT

- En cas d'utilisation de peinture ou de laque pour les finitions du manteau, s'assurer que ces produits sont résistants à la chaleur afin d'éviter une décoloration.



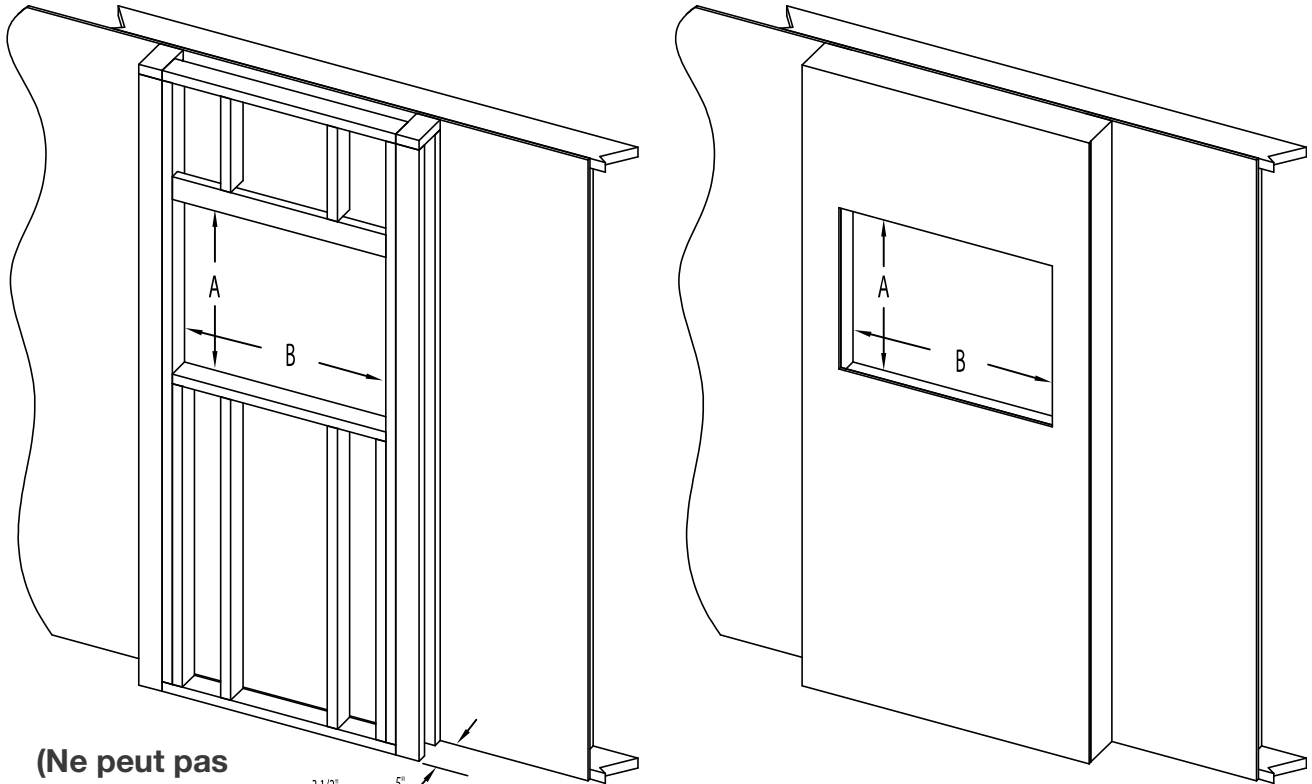
installation

FR 2.3 cadre

Les mesures sont prises à partir du corps de l'appareil :

Côtés, arrière et haut 0 mm

Matériau de finition



(Ne peut pas supporter de charge)

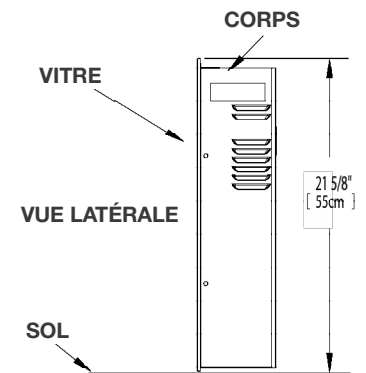
3 1/2"
[89mm]
MIN — [127mm]
MAX

N° DE MODÈLE	A	B
NEFL32FH-EU	53,5 cm	70,7 cm
NEFL42FH-EU		96,5 cm
NEFL50FH-EU		116,6 cm
NEFL60FH-EU		141,8 cm
NEFL72FH-EU		172,5 cm
NEFL100FH-EU		243,5 cm

2.4 installation de l'appareil

En raison de la variété de matériaux pouvant être utilisés pour la finition des murs, il est fortement recommandé de consulter le détaillant local avant de fixer cet appareil au mur.

- Choisir un endroit sec et à l'abri de l'humidité, situé à une distance d'au moins 91,4 cm de tout matériau combustible, tels que des rideaux, des meubles, des tissus, du papier, etc.
- Il est recommandé que deux personnes maintiennent l'appareil contre le mur pour déterminer l'emplacement final.
- Placer l'appareil face vers le bas sur une surface souple et non abrasive. Enlever le support de fixation à l'arrière de l'appareil en retirant les vis (**Fig. 1 et 2**).
- Marquer l'emplacement, puis fixer le(s) support(s) de fixation au mur à l'aide des vis fournies. Ce support **DOIT** être placé avec les crochets orientés vers le haut et à niveau.



Remarque:

Il est fortement recommandé de visser le support de fixation aux montants de la cloison lorsque cela est possible. Si les montants du mur ne peuvent pas être utilisés, il est nécessaire d'utiliser les chevilles en plastique fournies pour fixer le support au mur, puis de s'assurer que celui-ci est solidement fixé.

- Une fois que le support de fixation murale est installé, soulever l'appareil avec l'aide d'une autre personne et insérer les deux crochets du support dans les deux fentes à l'arrière de l'appareil.
- Vérifier que l'appareil est fermement installé et que le support ne risque pas de s'arracher du mur.

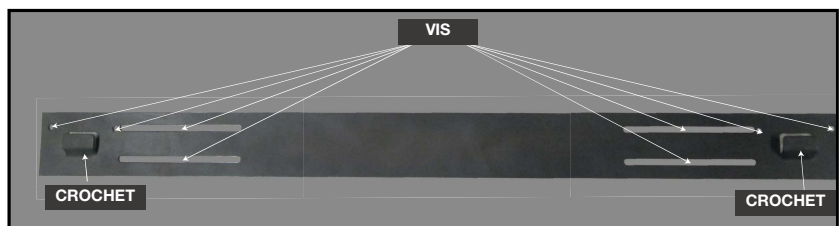


Fig. 1

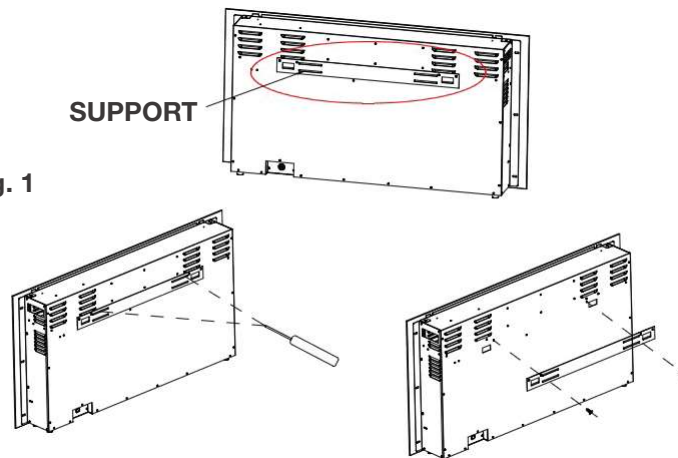


Illustration du support de fixation pour le modèle NEFL32/42/50FH-EU

Fig. 2

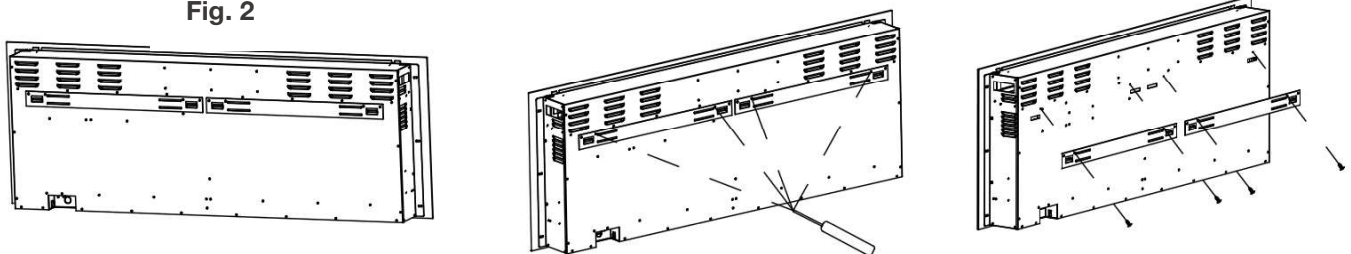


Illustration du support de fixation pour le modèle NEFL60/72/100FH-EU

installation

FR 2.5 encastrement de l'appareil dans un mur

En raison de la variété de matériaux pouvant être utilisés pour la finition des murs, il est fortement recommandé de consulter votre détaillant local avant d'installer cet appareil au mur.

Choisir un endroit sec et à l'abri de l'humidité, situé à une distance d'au moins 91,4 cm de tout matériau combustible, tels que des rideaux, des meubles, des tissus, du papier, etc.

- A. Mesurer l'appareil et installer sommairement les câbles électriques.
- B. Retirer la vitre (voir la section « Retrait de la vitre »).
- C. Soulever l'appareil pour s'assurer qu'il est parfaitement ajusté au cadre.
- D. Si l'appareil est totalement encastré dans le mur :
 - Déplier les deux languettes supérieures vers le haut pour qu'elles soient à plat sur la vitre (**Fig. 3, page suivante**).
 - Utiliser les 6 vis (fournies) pour fixer l'appareil au mur dans les deux brides latérales (**Fig. 1**).
 - Installer l'unité, puis remplacer la vitre sur le devant.
- E. Si l'appareil est partiellement encastré dans le mur :
 - Utiliser les 2 supports de fixation (fournis) pour fixer l'appareil au mur (**Fig. 2**).

Remarque:

2 séries de trous permettent d'encastrer l'appareil dans un mur. La structure du mur peut limiter la profondeur de l'encastrement. Utiliser la série de trous qui convient lors de l'encastrement du cadre. Il peut être nécessaire d'utiliser les 4 trous du haut et du bas.

Fig. 1

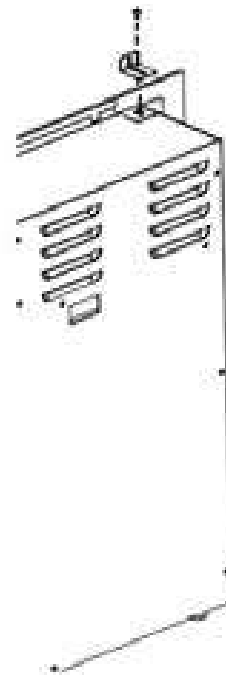
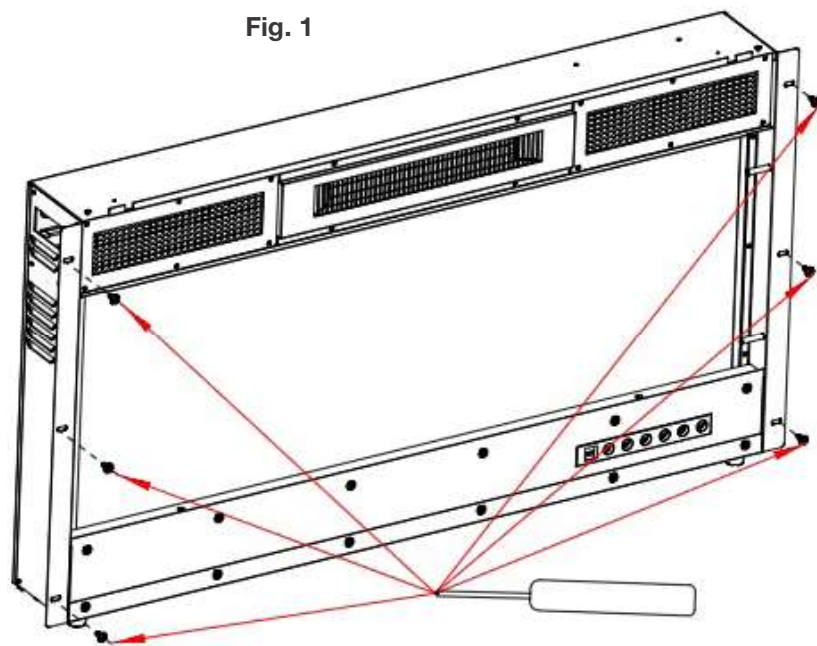


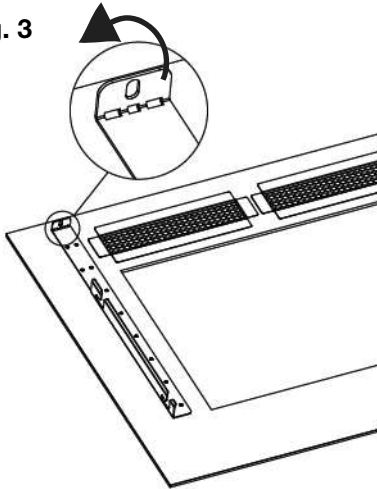
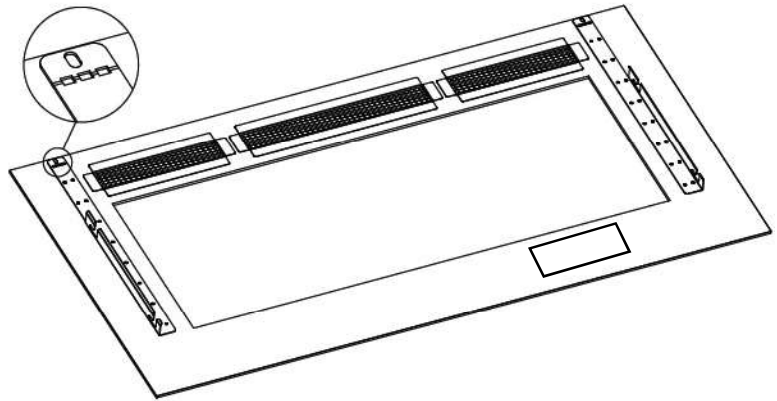
Fig. 2

Remarque:

Il est recommandé que les cloisons de l'espace où est encastré l'appareil soient achevées et couvertes (placoplâtre) afin d'éviter que l'isolant ou le pare-vapeur n'entre en contact avec l'appareil. L'espace minimum requis pour les matériaux combustibles est ainsi respecté.

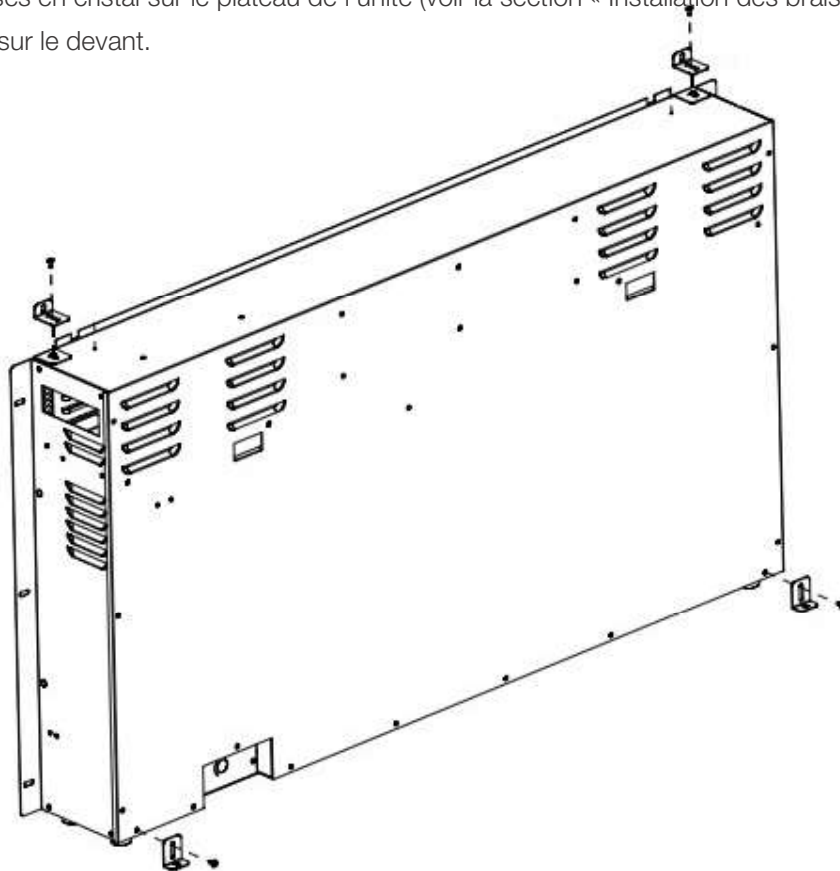
Remarque:

Les languettes de l'appareil viennent en équerre. Aplatir les languettes à la main afin d'encastrer complètement l'appareil dans le mur (**Fig. 4**).

Fig. 3

Fig. 4


2.6 installation de l'appareil dans un manteau

- A. Retirer la vitre (voir la section « Installation de la vitre »).
- B. Installer les pieds en caoutchouc en bas de l'appareil pour plus de stabilité (voir la section « Installation des pieds en caoutchouc »).
- C. Installer les supports supérieurs et inférieurs fournis.
- D. Insérer l'appareil dans le manteau et le fixer à l'aide des supports (voir le manuel d'installation « Manteau pour foyer électrique » pour obtenir les instructions d'installation détaillées).
- E. Répartir les braises en cristal sur le plateau de l'unité (voir la section « Installation des braises en cristal »).
- F. Remplacer la vitre sur le devant.



installation

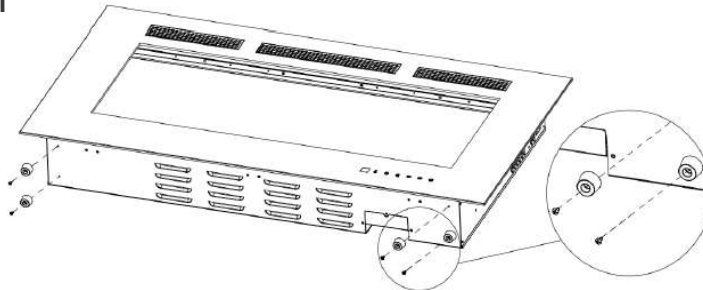
FR 2.7 installation des pieds en caoutchouc

- A. Placer l'appareil face vers le bas sur une surface souple.
- B. À l'aide d'un tournevis, retirer les vis en bas de l'appareil.
- C. Installer les 4 pieds en caoutchouc (6 pour le modèle NEFL60/72/100FH) en bas de l'appareil à l'aide des vis retirées à l'étape B (**Fig. 1 et 2**).

Remarque:

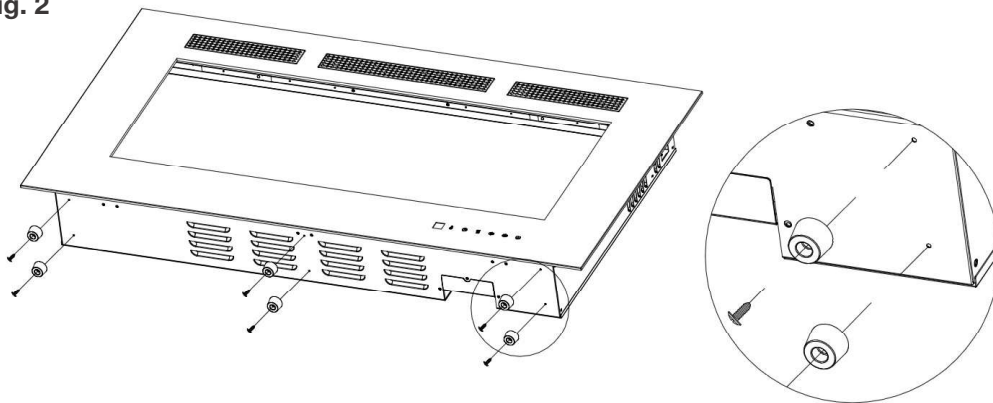
Les vis nécessaires à l'installation des pieds en caoutchouc sont fixées à l'appareil. Il faut donc retirer les vis avant d'installer les pieds en caoutchouc.

Fig. 1



Modèle NEFL32/42/50FH-EU illustré

Fig. 2



Modèle NEFL60/72/100FH-EU illustré

2.8 installation du raccordement câblé

⚠ AVERTISSEMENT

- Avant tout entretien, éteindre l'appareil et attendre qu'il refroidisse. L'entretien et la réparation de cet appareil électrique ne doivent être pris en charge que par un professionnel.

Installation du raccordement câblé

S'il est nécessaire d'installer cet appareil avec un raccordement câblé, un électricien qualifié doit retirer le cordon d'alimentation et raccorder l'appareil directement au circuit électrique domestique.

L'appareil doit être raccordé au circuit électrique et mis à la terre conformément aux réglementations locales.



Fig. 1

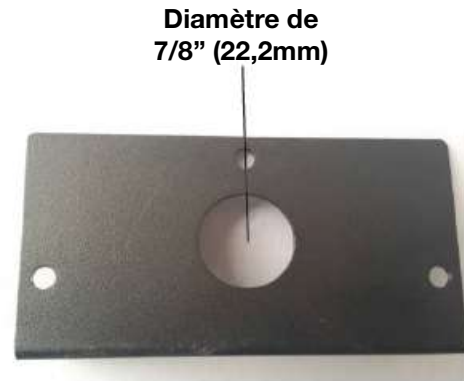


Fig. 2

1. Enlever la plaque de recouvrement située en bas à droite de l'appareil en dévissant les 3 vis (**Fig. 1**).
2. Retirer les serre-fils du cordon d'alimentation. Le cordon d'alimentation n'est plus nécessaire.
3. Trouver la nouvelle plaque de recouvrement fournie dans le sac contenant le matériel (**Fig. 2**). Perforer le trou de 22,2 mm et installer un connecteur de boîte à travers la boîte de dérivation. Refermer la pince du connecteur de boîte autour des fils électriques.
4. À l'aide des serre-fils fournis dans le kit, brancher les fils verts de terre (G), les fils blancs neutres (N) et les fils noirs chargés (L) (**Fig. 3 et 4**).
5. Replacer la plaque de recouvrement à l'aide des 3 vis.

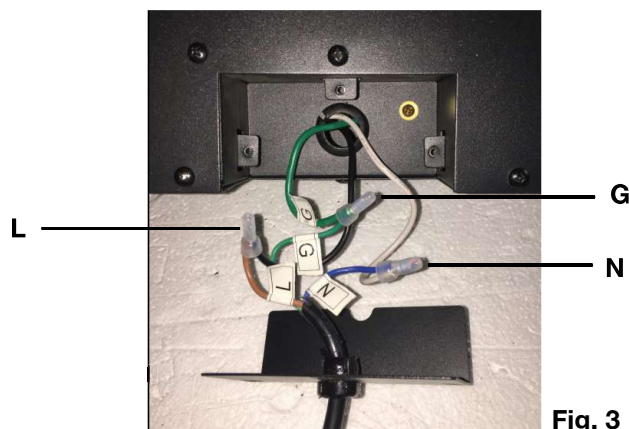


Fig. 3



Fig. 4

3.0 finitions

FR

! AVERTISSEMENT

- L'installation de l'alimentation électrique doit être terminée avant la finition pour éviter de devoir démonter l'appareil.
- Les fentes et les ouvertures d'aération ne doivent jamais être obstruées.

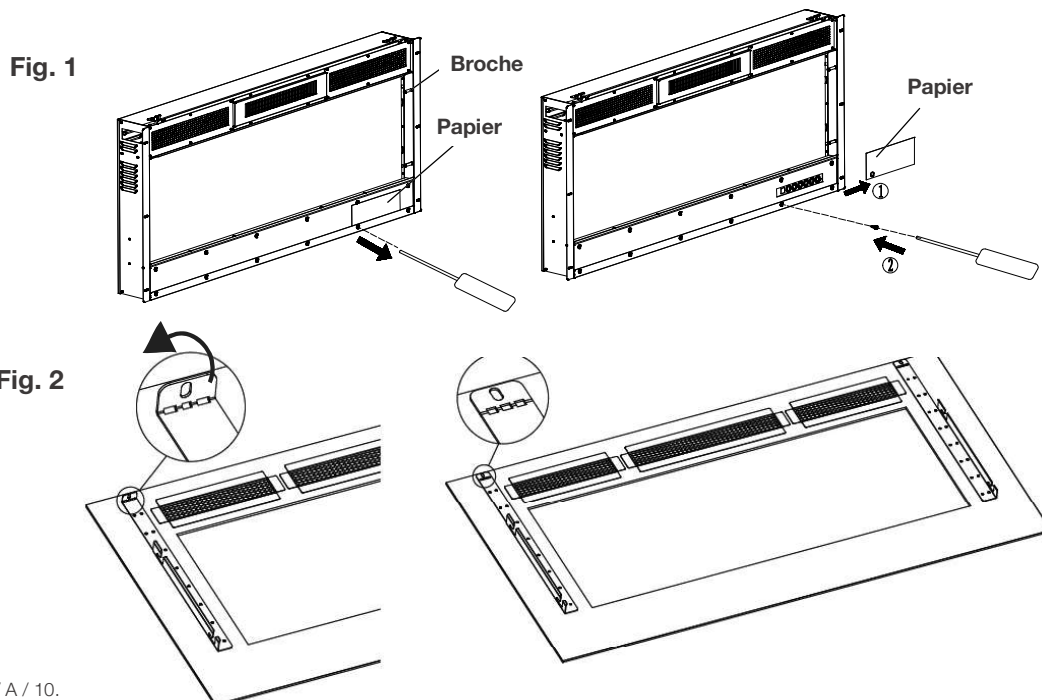
3.1 installation de la vitre

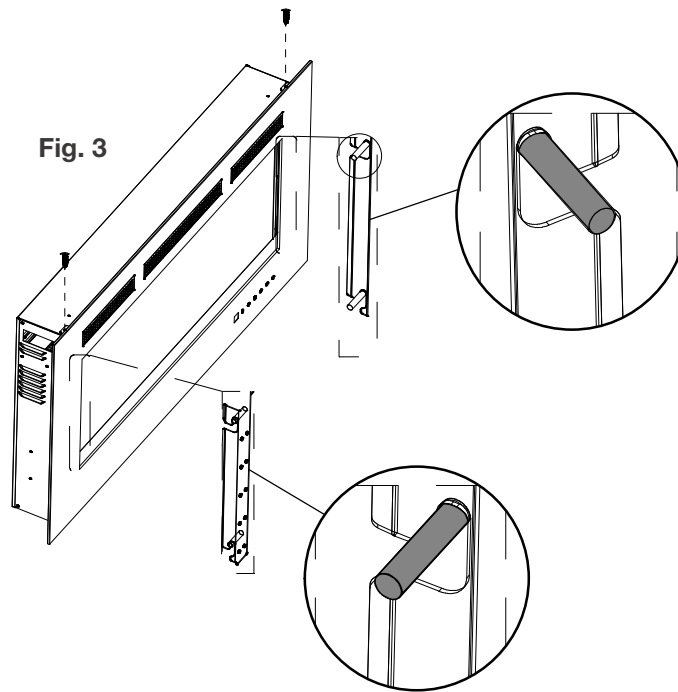
! AVERTISSEMENT

- La vitre peut être chaude. Ne pas la toucher avant qu'elle ait refroidi.
- Si l'appareil est équipé de loquets qui font partie d'un système de sécurité, ceux-ci doivent être correctement enclenchés. Ne pas utiliser l'appareil si les loquets ne sont pas enclenchés.
- Les matériaux de finition ou de protection ne doivent pas obstruer la circulation de l'air à travers les ouvertures et les grilles d'aération, le fonctionnement des grilles ou les portes/accès prévus pour l'entretien. Libérer le maximum d'espace en cas d'utilisation de matières combustibles.
- Avant de retirer la porte, éteindre l'appareil et attendre qu'il soit froid au toucher. Les portes sont lourdes et fragiles, et doivent être manipulées avec soin.

MODÈLES NEFL72/100FH-EU UNIQUEMENT :

- Avant d'installer la vitre, retirer les vis du carton qui se trouve à l'intérieur de l'appareil et qui protège le panneau de commande. Jeter le carton.
- Revisser les vis (pour les appareils encastrés uniquement) (**Fig. 1**).
- Retirer les 2 vis situées en haut de l'appareil.
- Soulever la vitre avec l'aide d'une autre personne et l'éloigner de l'appareil en la transportant à la verticale (et non à l'horizontale). Placer la vitre face vers le bas sur une surface souple et non abrasive, en prenant soin de ne pas exercer de pression dessus.
- Mettre les deux languettes supérieures à plat (**Fig. 2**).
- Répartir les braises en cristal (voir la section « Installation des braises en cristal »).
- Installer la vitre en l'alignant sur les tiges de l'appareil. Insérer la vitre vers le bas afin qu'elle s'enclenche correctement dans les supports de fixation. La vitre doit être totalement insérée afin d'assurer le bon fonctionnement du panneau de commande tactile.
- Fixer la vitre à l'aide des vis présentes en haut de l'appareil (**Fig. 3, page suivante**). Si l'appareil est totalement encastré dans le mur, cette étape n'est pas nécessaire.

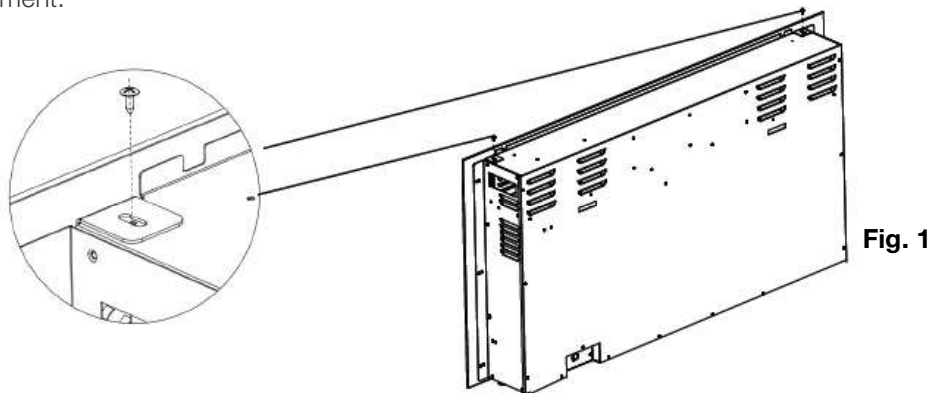




3.2 retrait de la vitre

UNIQUEMENT POUR LES APPAREILS FIXÉS AU MUR, PARTIELLEMENT ENCASTRÉS OU ENCADRÉS D'UN MANTEAU :

- A. Retirer les 2 vis situées en haut de l'appareil (**Fig. 1**).
- B. Soulever la vitre avec l'aide d'une autre personne et l'éloigner de l'appareil en la transportant à la verticale (et non à l'horizontale). Placer la vitre face vers le bas sur une surface souple et non abrasive, en prenant soin de ne pas exercer de pression dessus.
- C. Répartir les braises en cristal (voir la section « Installation des braises en cristal »). Installer la vitre en l'alignant sur les tiges de l'appareil. Faute de quoi, le panneau de commande tactile ne fonctionnera pas correctement.



3.3 installation des braises en cristal

La vitre doit être retirée et l'appareil doit être installé à son emplacement définitif avant d'installer les braises en cristal.

- A. Placer délicatement les braises en cristal dans le bac du foyer, à l'avant de l'appareil.
- B. Répartir uniformément sur toute la longueur.



4.0 mode d'emploi

FR

AVERTISSEMENT

- Quand l'appareil est en marche, ne pas retirer la vitre. Dans le cas contraire, la télécommande et le panneau tactile pourraient dysfonctionner.

Une fois branché à une prise mise à la terre, l'appareil est prêt à être utilisé.

Remarque:

Il est nécessaire de s'assurer que les disjoncteurs d'alimentation du domicile sont allumés. En cas de coupure d'électricité, l'appareil perdra sa fonction mémoire et se réinitialisera selon les paramètres d'origine une fois le courant rétabli.

4.1 interrupteur principal

L'interrupteur principal est situé à l'avant de l'appareil, en bas à droite.









4.2 utilisation du panneau de commande tactile

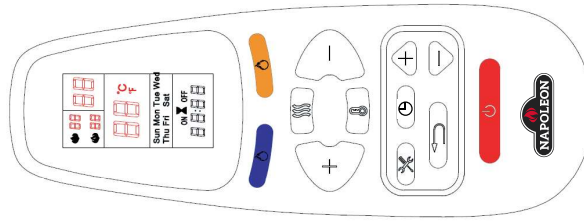
AVERTISSEMENT

- Ne pas déplacer ou retirer la vitre quand l'appareil est branché ou allumé. Dans le cas contraire, la télécommande et le panneau tactile cesseront de fonctionner.

Le panneau de commande tactile s'affiche au moyen de LED situées à l'avant de l'appareil, en bas à droite. Si aucune fonction n'est modifiée au bout de 10 secondes, les LED s'éteignent. et la luminosité de l'interrupteur principal s'affaiblit.

ALIMENTATION		Allume/éteint l'appareil.																																					
FLAMME ORANGE		Contrôle l'intensité lumineuse de la flamme orange.. 6 Modes: F5-F4-F3-F2-F1-F0. L'intensité de la flamme diminue de F5 à F1. F5 est le réglage le plus fort et F0 est éteint.																																					
FLAMME BLEU		Contrôle l'intensité lumineuse de la flamme bleu.. 6 Modes: F5-F4-F3-F2-F1-F0. L'intensité de la flamme diminue de F5 à F1. F5 est le réglage le plus fort et F0 est éteint.																																					
CHAUFFAGE		Allume/éteint le chauffage. (H0) - Chauffage et soufflerie éteints. (BL) - Soufflerie uniquement. (H1) - Le chauffage émet de l'air chaud (950 W). (H2) - Le chauffage émet de l'air très chaud (2 000 W). REMARQUE : le cycle de fonctionnement du chauffage est HO-BL-H1-H2. Maintenir le bouton de chauffage appuyé pendant 5 secondes pour verrouiller le chauffage et la température sur le réglage souhaité. Maintenir le bouton appuyé pendant 5 secondes supplémentaires pour déverrouiller la température et le chauffage.																																					
PROGRAMMATEUR		Allume/éteint la minuterie. 9 Modes: 0.5h, 1h, 2h, 3h, 4h, 5h, 6h, 7h, 8h. Appuyer sur le bouton pour sélectionner le mode souhaité.																																					
TEMPÉRATURE		1. Appuyer une fois pour allumer l'indicateur du panneau tactile. 2. Maintenir le bouton appuyé jusqu'au réglage souhaité. Le cycle des réglages qui s'affiche à l'écran numérique est le suivant: <table border="1" data-bbox="787 1745 1323 1850"> <thead> <tr> <th>Valeur Affichée</th> <th>0</th> <th>1</th> <th>2</th> <th>3</th> <th>4</th> <th>5</th> <th>6</th> <th>7</th> <th>8</th> <th>9</th> <th>N</th> </tr> </thead> <tbody> <tr> <td rowspan="2">Température</td> <td>°C</td> <td>18</td> <td>19</td> <td>20</td> <td>21</td> <td>22</td> <td>23</td> <td>24</td> <td>25</td> <td>26</td> <td>27</td> <td>ON</td> </tr> <tr> <td>°F</td> <td>64</td> <td>66</td> <td>68</td> <td>70</td> <td>72</td> <td>74</td> <td>76</td> <td>78</td> <td>80</td> <td>82</td> <td>ON</td> </tr> </tbody> </table> REMARQUE : maintenir le bouton appuyé pendant 5 sec. pour afficher la température en °C ou °F.	Valeur Affichée	0	1	2	3	4	5	6	7	8	9	N	Température	°C	18	19	20	21	22	23	24	25	26	27	ON	°F	64	66	68	70	72	74	76	78	80	82	ON
Valeur Affichée	0	1	2	3	4	5	6	7	8	9	N																												
Température	°C	18	19	20	21	22	23	24	25	26	27	ON																											
	°F	64	66	68	70	72	74	76	78	80	82	ON																											

4.3 utilisation de la télécommande



ALIMENTATION		Allume/éteint l'appareil.
FLAMME ORANGE		Contrôle l'intensité lumineuse de la flamme orange. 6 modes : F5-F4-F3-F2-F1-F0. L'intensité de la flamme diminue de F5 à F1. F5 est le réglage le plus fort et F0 est éteint.
FLAMME BLEU		Contrôle l'intensité lumineuse de la flamme bleu. 6 modes : F5-F4-F3-F2-F1-F0. L'intensité de la flamme diminue de F5 à F1. F5 est le réglage le plus fort et F0 est éteint.
CHAUFFAGE		Allume/éteint le chauffage. (H0) - Chauffage et soufflerie éteints. (BL) - Soufflerie uniquement. (H1) - Le chauffage émet de l'air chaud (H2) - Le chauffage émet de l'air très chaud REMARQUE: le cycle de fonctionnement du chauffage est HO-BL-H1-H2. Maintenir le bouton de température sur le réglage souhaité. Maintenir le bouton appuyé pendant 5 secondes supplémentaires pour déverrouiller la température et le chauffage.

RÉGLAGE DU PROGRAMMATEUR SUR LA TÉLÉCOMMANDE

: Programmeur : affiche le jour, l'heure et la semaine. Appuyer pour régler ou confirmer les paramètres du programmeur.	
: Réglages : appuyer pour passer à l'étape suivante (à utiliser avec le bouton Programmeur). Appuyer pour confirmer le programmeur hebdomadaire.	
: Retour : appuyer pour effacer les réglages du programmeur. Appuyer pour revenir à l'étape suivante (à utiliser avec le bouton Réglages).	
: Haut et bas (à utiliser avec le bouton Réglages).	

Écran LCD

Jour de la Semaine Mon (Lundi), Tues (Mardi), Wed (Mercredi), Thurs (Jeudi), Fri (Vendredi), Sat (Samedi), Sun (Dimanche)		Remarque : ces fonctionnalités ne peuvent être modifiées que lorsque les lettres ou chiffres correspondants clignotent
Affichage de l'Heure		
Heure / Programmeur De 00:00 à 24:00 REMARQUE: 00-12:00 représente le matin / 13:00-24:00 représente l'après-midi/le soir		

TEMPÉRATURE		1. Appuyer une fois pour allumer l'indicateur du panneau tactile. 2. Maintenir le bouton appuyé jusqu'au réglage souhaité. Le cycle des réglages qui s'affiche à l'écran numérique est le suivant :																																					
		<table border="1"> <thead> <tr> <th>Valeur Affichée</th> <th>0</th> <th>1</th> <th>2</th> <th>3</th> <th>4</th> <th>5</th> <th>6</th> <th>7</th> <th>8</th> <th>9</th> <th>N</th> </tr> </thead> <tbody> <tr> <td rowspan="2">Température</td> <td>°C</td> <td>18</td> <td>19</td> <td>20</td> <td>21</td> <td>22</td> <td>23</td> <td>24</td> <td>25</td> <td>26</td> <td>27</td> <td>ON</td> </tr> <tr> <td>°F</td> <td>64</td> <td>66</td> <td>68</td> <td>70</td> <td>72</td> <td>74</td> <td>76</td> <td>78</td> <td>80</td> <td>82</td> <td>ON</td> </tr> </tbody> </table>	Valeur Affichée	0	1	2	3	4	5	6	7	8	9	N	Température	°C	18	19	20	21	22	23	24	25	26	27	ON	°F	64	66	68	70	72	74	76	78	80	82	ON
Valeur Affichée	0	1	2	3	4	5	6	7	8	9	N																												
Température	°C	18	19	20	21	22	23	24	25	26	27	ON																											
	°F	64	66	68	70	72	74	76	78	80	82	ON																											
		REMARQUE : Maintenir le bouton appuyé pendant 5 secondes pour afficher la température en °C ou °F.																																					






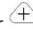

note:

Les boutons sans icônes doivent être considérés comme des boutons sans aucune fonction.





mode d'emploi

FR

4.3.1 réglage de la date et l'heure





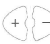
1. Appuyer une fois sur . Lorsque « MON » (lundi) se met à clignoter, utiliser  pour sélectionner le jour actuel.
2. Appuyer sur . Lorsque les chiffres de l'heure se mettent à clignoter, utiliser  pour sélectionner l'heure actuelle.
3. Appuyer à nouveau sur . Lorsque les chiffres des minutes se mettent à clignoter, utiliser  pour sélectionner les minutes actuelles.
4. Appuyer à nouveau sur . L'heure est maintenant configurée.

4.3.2 réglage des temps d'allumage et de la température par cycle hebdomadaire

1. Appuyer sur . Lorsque « MON » (lundi) se met à clignoter, appuyer trois fois sur . Lorsque « ON » se met à clignoter, utiliser  pour sélectionner l'heure à laquelle allumer le chauffage. Appuyer  à tout moment sur pour effacer les chiffres et désactiver le mode « ON » du programmeur.









Remarque:

Le programmeur ne peut être réglé que par intervalles de 30 minutes (ex.: 00h00-00h30, 00h30-01h00, etc.).

2. Appuyer sur . Lorsque « OFF » se met à clignoter, utiliser  pour sélectionner l'heure à laquelle arrêter le chauffage. Appuyer  à tout moment sur pour effacer les chiffres et désactiver le mode « OFF » du programmeur.
3. Appuyer à nouveau sur . Lorsque « 18 » se met à clignoter, utiliser  pour sélectionner la température souhaitée le lundi.

Remarque:

Si la température a déjà été configurée, ces chiffres s'afficheront à la place de « 18 ».

4. Appuyer à nouveau sur . Lorsque « TUES » (mardi) s'affiche à l'écran et que « ON » se met à clignoter, utiliser  pour sélectionner l'heure à laquelle allumer le chauffage le mardi.
5. Appuyer à nouveau sur . Lorsque « OFF » se met à clignoter, utiliser  pour sélectionner l'heure à laquelle arrêter le chauffage le mardi.
6. Appuyer à nouveau sur . Lorsque « 18 » se met à clignoter, utiliser  pour sélectionner la température souhaitée le mardi.
7. Répéter les étapes 1 à 6 pour régler les temps de marche/arrêt et la température pour le mercredi, jeudi, vendredi, samedi et dimanche.
8. Appuyer sur  ou  pour valider la programmation, en pointant la télécommande sur le récepteur situé au centre de l'appareil. L'appareil émet un « bip » pour confirmer que la programmation a bien fonctionné.

4.3.3 détection de fenêtre ouverte

Si la température de la pièce baisse de 10 degrés en l'espace de 3 minutes, l'appareil considère qu'une fenêtre est ouverte à proximité. Afin d'économiser de l'énergie, le chauffage passe automatiquement d'une chaleur élevée à une chaleur basse ou bien s'éteint tout à fait s'il est déjà réglé sur une chaleur basse.

Lorsqu'il passe du réglage High Heat (chaleur élevée) à Low Heat (chaleur basse), l'appareil émet 3 bips et le message « 88 » clignote 3 fois sur l'écran numérique avant que le nouveau réglage du chauffage s'affiche.

Lorsqu'il est réglé sur une chaleur basse et qu'il s'éteint, l'appareil émet 3 bips et le message « 88 » clignote en continu sur l'écran numérique.

Pour réinitialiser la fonction de chauffage, consulter la section « Utilisation de la télécommande ».

! AVERTISSEMENT

- Veiller à toujours débrancher l'appareil et à le laisser refroidir avant de le nettoyer, d'en effectuer la maintenance ou de le déplacer. Désactiver les commandes et débrancher l'appareil, ou couper le disjoncteur correspondant à la prise électrique de l'appareil.
- Ne pas installer de lampes de rechange dont la puissance en watts dépasse celle spécifiée.
- Les lampes halogènes de l'appareil peuvent être brûlantes. Après avoir éteint l'appareil, attendre au moins 10 minutes avant de retirer les lampes pour éviter tout risque de brûlures.
- Ne pas manipuler les lampes à mains nues. La graisse naturellement présente sur la peau endommage les lampes lorsqu'elles chauffent. Utiliser des gants ou un chiffon sec pour manipuler les lampes.

5.1 installation de la pile de la télécommande**Remarque :**

La télécommande fonctionne avec deux piles de type AAA (non fournies).

! AVERTISSEMENT

- Ne JAMAIS jeter les piles au feu. Le non-respect de cette consigne peut entraîner une explosion. Se débarrasser des piles usagées dans un centre de traitement des matériaux dangereux.

Remarque :

Pour fonctionner correctement, la télécommande doit rester dans un périmètre de 5 mètres de l'appareil. Cette distance peut être réduite si les piles sont déchargées.

6.0 schéma de câblage

FR

⚠ AVERTISSEMENT

- Avant tout entretien, éteindre l'appareil et attendre qu'il refroidisse. L'entretien et la réparation de cet appareil électrique ne doivent être pris en charge que par un professionnel.

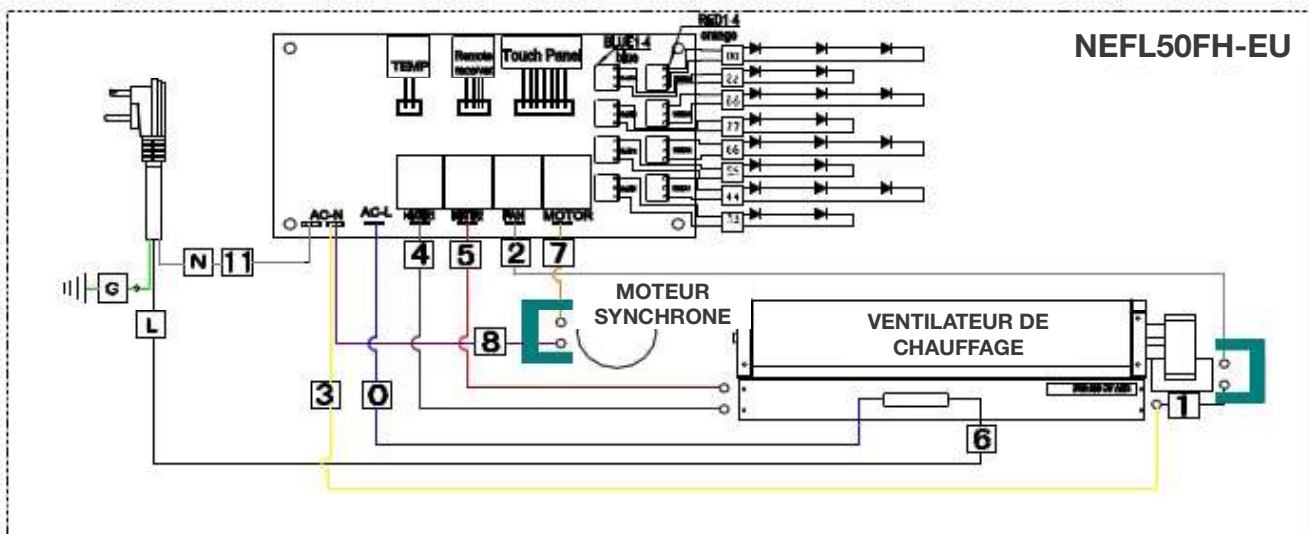
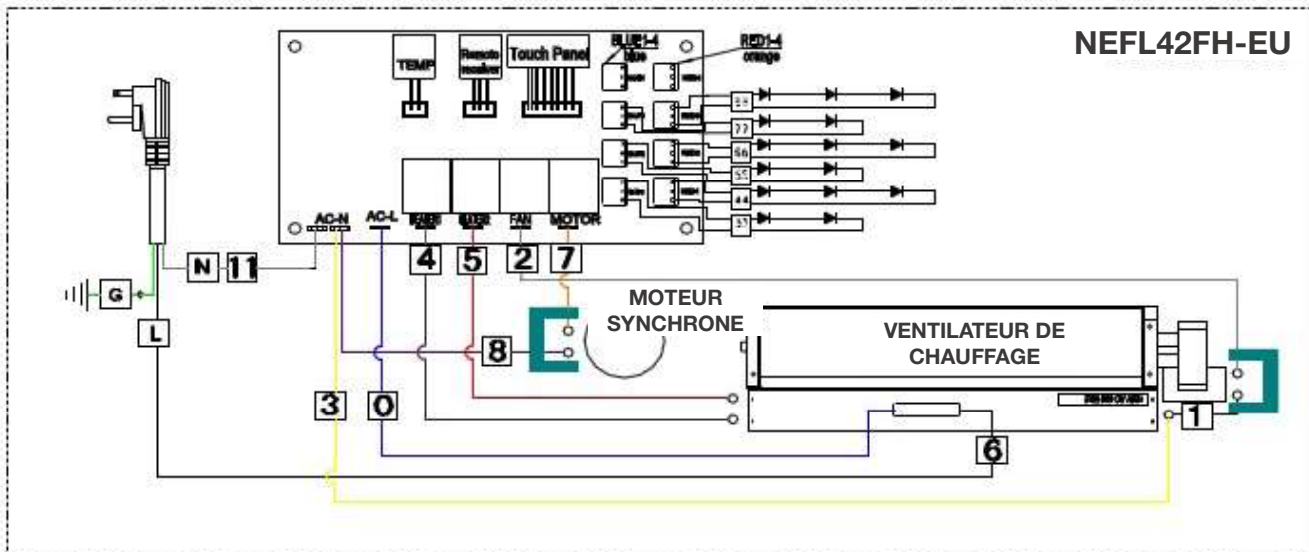
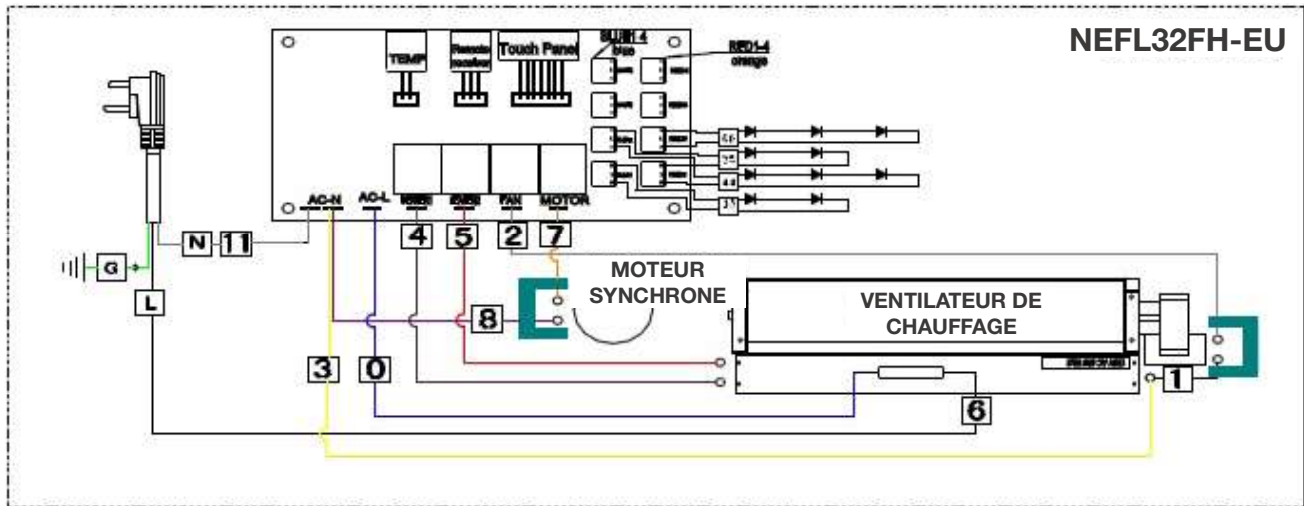
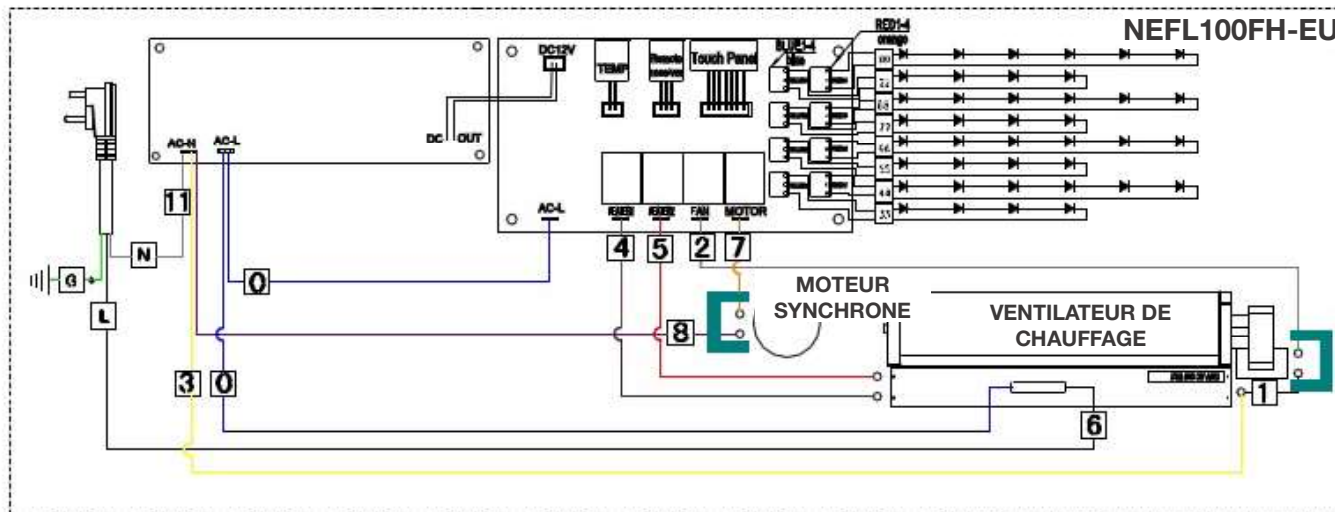
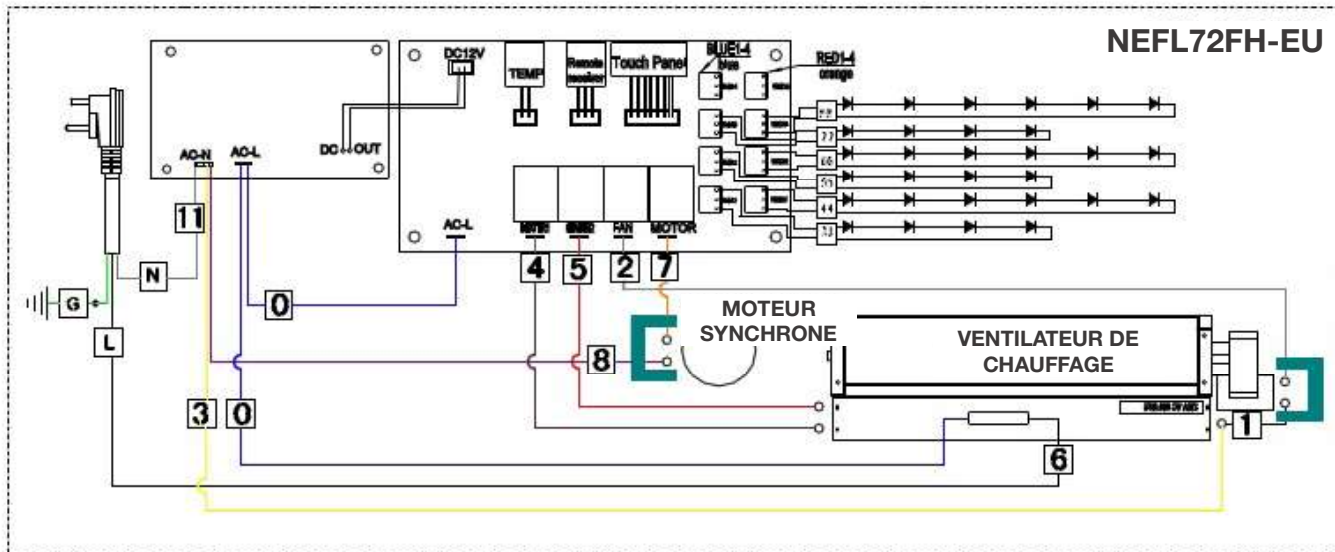
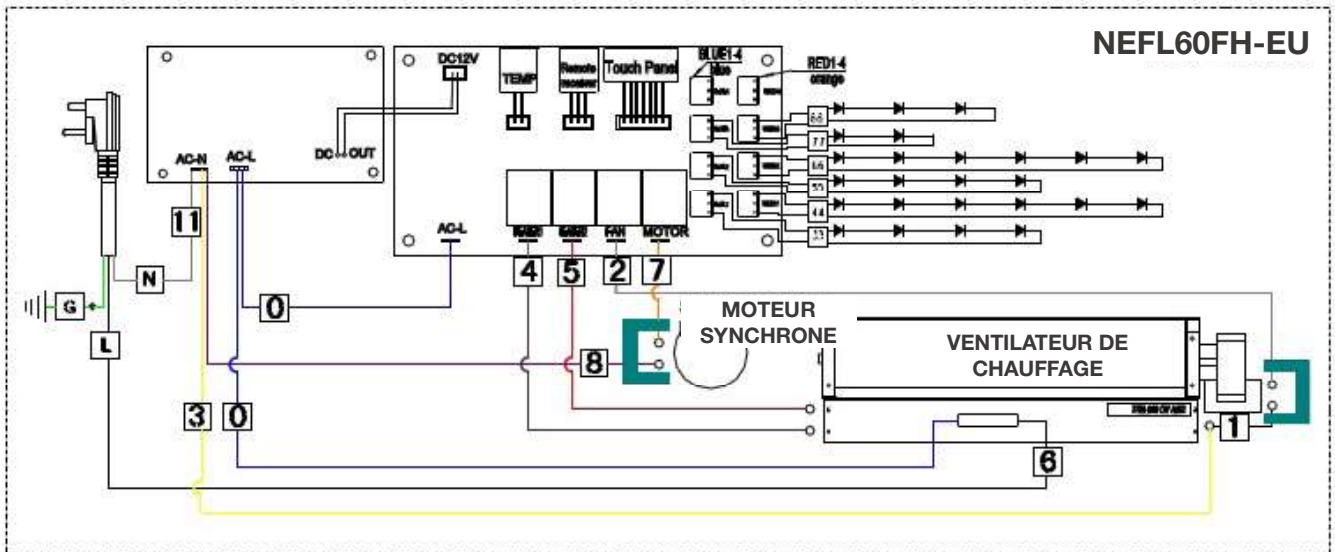


schéma de câblage

FR



7.0 pièces de rechange

FR

AVERTISSEMENT

- Omettre de positionner les pièces conformément à ce manuel ou d'utiliser uniquement des pièces spécifiquement approuvées pour cet appareil peut causer des dommages matériels ou des blessures corporelles.

Contactez votre détaillant pour les questions concernant les prix et la disponibilité des pièces de remplacement. Normalement, toutes les pièces peuvent être commandées chez votre détaillant autorisé.

Pour un remplacement de pièce sous garantie, une photocopie de la facture originale sera requise afin de pouvoir honorer la demande.

Lorsque vous commandez des pièces, donnez toujours l'information suivante:

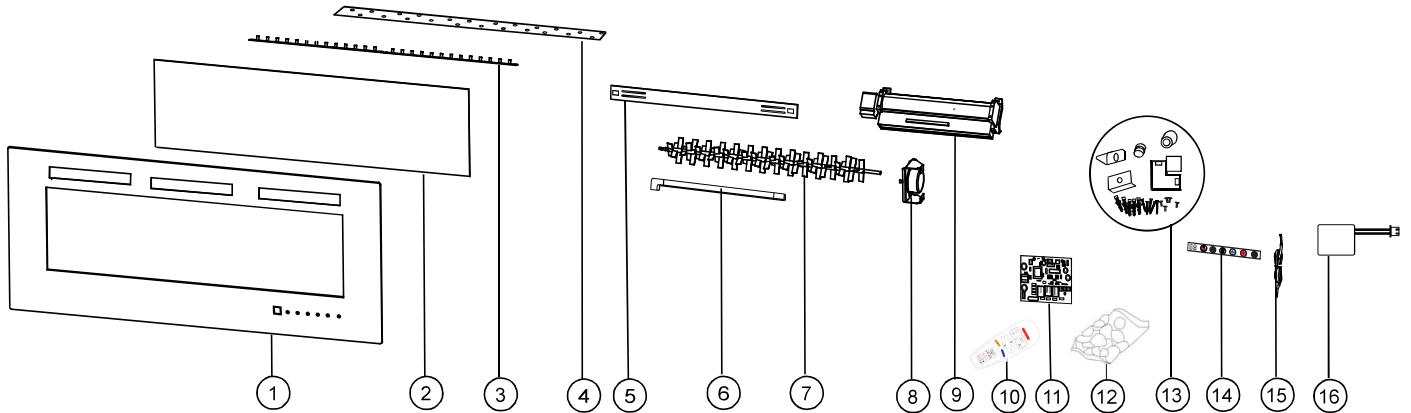
- Modèle et numéro de série de l'appareil
- Date d'installation de l'appareil
- Numéro de la pièce
- Description de la pièce
- Fini

Pièces, numéro des pièces et s'il soit disponible peut changer sans préavis.

Parties identifiées comme garnie seront livrés dans 2 à 5 jours pour la plupart des destinations de livraison.

Pièces non identifiées que stockés seront livrés dans un délai de 2 à 4 semaines pour la plupart des cas.

Pièces identifiées comme « SO » sont commande spéciale et peuvent prendre jusqu'à 90 jours pour la livraison.



Les produits peuvent être légèrement différents des illustrations présentées ici.

RÉF.	NEFL32FH-EU	NEFL42FH-EU	NEFL50FH-EU	NEFL60FH-EU	NEFL72FH-EU	NEFL100FH-EU	Description
1	W300-0226	W300-0224	W300-0227	W300-0228	W300-0229	W300-0230	Vitre
2	W475-1192	W475-1185	W475-1193	W475-1194	W475-1195	W475-1196	Panneau en plastique acrylique
3	W405-0033			W405-0033 + W405-0037	W405-0033 + W405-0037	W405-0033 + W405-0037	Lumière LED
4	W497-0014	W497-0013	W497-0015	W497-0016	W497-0017	W497-0018	Bande plastique
5	W080-1616-SER					W080-1621	Support de fixation murale
6	W200-0571	W200-0572-SER	W200-0572-SER	W200-0572-SER	W200-0572-SER	W200-0572-SER	Goulotte
7	W527-0009	W527-0008	W527-0010	W527-0011	W527-0012	W527-0013	Tige réfléchissante
8	W435-0087						Moteur synchrone (UE)
9	W062-0073						Ensemble de la soufflerie et de l'élément chauffant (UE)
10	W190-0138						Télécommande
11	W190-0139			W190-0140			Carte de circuit imprimé (UE)
12	W497-0019	W497-0020	W497-0021	W497-0022	W497-0023	W497-0024	Cristaux
13	W370-0050			W370-0055		W370-0057	Kit de matériel
14	W475-1184						Panneau de commande (avec récepteur de télécommande)
15	W750-0370	W750-0371	W750-0372	W750-0373	W750-0374	W750-0375	Faisceau de câbles
16	W690-0021						Thermostat
17*	W005-0023-SER						Adaptateur pour le Royaume-Uni
18*	W005-0024-SER						Adaptateur pour la Suisse

*Illustration des pièces non fournies.

8.0 dépannage

FR

AVERTISSEMENT

- Avant tout entretien, éteindre l'appareil et attendre qu'il refroidisse. L'entretien et la réparation de cet appareil électrique ne doivent être pris en charge que par un professionnel.

symptôme	problème	solution
L'appareil ne s'allume pas lorsque le bouton de mise en marche/l'interrupteur est en position « ON ».	L'appareil n'est pas branché à une prise de courant.	Vérifier le branchement et brancher l'appareil si nécessaire.
	Les raccordements câblés sont incorrects (le cas échéant).	Consulter la section « Installation du raccordement câblé ».
	L'appareil a surchauffé et l'interrupteur thermique de sécurité s'est déclenché.	Débrancher le câble d'alimentation et laisser l'appareil refroidir pendant 15 minutes, puis rebrancher et rallumer l'appareil.
L'appareil s'éteint et ne se rallume pas.	Problème au niveau du circuit imprimé principal.	Inspecter le circuit imprimé et remplacer si nécessaire.
	Le disjoncteur du domicile a sauté.	Réarmer le disjoncteur du domicile.
La télécommande ne fonctionne pas.	Le fusible de l'appareil a sauté.	Remplacer le fusible.
	L'appareil a surchauffé et l'interrupteur thermique de sécurité s'est déclenché.	Débrancher le câble d'alimentation et laisser l'appareil refroidir pendant 15 minutes, puis rebrancher et rallumer l'appareil.
L'appareil ne produit pas d'air chaud.	Piles déchargées/usagées.	Remplacer les piles de la télécommande.
	Défaillance du récepteur de télécommande.	Vérifier que rien n'obstrue le récepteur de la télécommande. Remplacer le panneau de commande.
L'appareil ne produit pas d'air chaud.	Le réglage du chauffage n'est pas sélectionné.	Consulter la section « mode d'emploi ».
	Le chauffage a été verrouillé.	Consulter la section « mode d'emploi ».
	La température de la pièce est plus élevée que le réglage de l'appareil (s'il est réglé sur le mode de température ambiante).	Réinitialiser le réglage de température.
	L'appareil a surchauffé et l'interrupteur thermique de sécurité s'est déclenché.	Débrancher l'appareil ou éteindre le disjoncteur. Laisser l'appareil refroidir pendant 15 minutes.
	Les raccordements câblés sont incorrects (le cas échéant).	Consulter la section « Installation du raccordement câblé ».
Le chauffage s'éteint automatiquement.	Problème de chauffage.	Inspecter la soufflerie et le chauffage, et remplacer si nécessaire.
	La température de la pièce est trop élevée.	Le chauffage possède un thermostat intégré, il s'éteint donc automatiquement une fois la température pré-réglée atteinte. Il se met également en marche automatiquement si la température de la pièce descend en dessous de la température pré-réglée.
Flamme faible ou inexistante.	L'intensité lumineuse de la flamme n'est pas sélectionnée.	Consulter la section « mode d'emploi ».
	Problème de l'éclairage LED de la flamme	Inspecter la lampe LED et remplacer si nécessaire.
	Problème au niveau du circuit imprimé principal.	Inspecter le circuit imprimé principal et remplacer si nécessaire.

Le panneau tactile / la télécommande ne fonctionne pas.	La vitre a été déplacée ou n'est pas correctement installée.	Débrancher l'appareil, si l'appareil est encastré dans le mur, éteindre le disjoncteur du domicile. Vérifier que la vitre est correctement placée et qu'elle est en contact avec le panneau tactile de l'appareil. Attendre 10 secondes, puis brancher ou allumer l'appareil afin de le réinitialiser.
Le lit de braises ne s'illumine pas.	L'intensité lumineuse n'est pas sélectionnée.	Consulter la section « mode d'emploi ».
	Problème de l'éclairage LED des braises.	Inspecter les lampes LED du lit de braises et remplacer si nécessaire.
	Problème au niveau du circuit imprimé principal.	Inspecter le circuit imprimé principal et remplacer si nécessaire.

Remarque :

Le verre cassé ou les composants endommagés doivent être retirés et jetés avec précaution. À l'aide d'un aspirateur, retirer tout éclat de verre restant avant d'utiliser l'appareil.

9.0 garantie

FR

Les appareils électriques Napoleon sont fabriqués dans le respect de la norme mondialement reconnue ISO 9001:2015 sur les systèmes de gestion de la qualité.

Les produits Napoleon sont fabriqués à partir de composants et de matériaux de qualité supérieure. Ils sont assemblés par des artisans expérimentés, qui sont fiers de leur travail. Une fois assemblé et avant d'être emballé, l'appareil est minutieusement inspecté par un installateur, une agence de service ou un fournisseur qualifié(e) et agréé(e) pour s'assurer que le client reçoive le niveau de qualité qu'il attendait de la part de son produit **Napoleon**.

Garantie limitée des appareils électriques Napoleon

Les composants électriques et les pièces d'usure sont couverts : **Napoleon** fournira gratuitement les pièces de rechange au cours des 2 premières années de la garantie limitée. Cela s'applique aux : ventilateurs/éléments chauffants, moteurs, interrupteurs, composants de nylon, télécommandes et lampes LED.*

Les ampoules et les fusibles **NE SONT PAS** couverts par la garantie.

Toute main-d'œuvre liée à une réparation sous garantie n'est pas couverte.

* La fabrication des modèles varie. La garantie ne s'applique qu'aux composants inclus dans votre appareil spécifique.

Conditions et restrictions

Napoleon garantit ses produits contre tout défaut de fabrication uniquement à son client d'origine. Il n'est pas nécessaire d'enregistrer votre garantie. Il vous suffit de fournir une preuve d'achat, ainsi que le modèle et le numéro de série pour faire une réclamation sous garantie. Si l'achat a été effectué auprès d'un détaillant **Napoleon** agréé, votre appareil est soumis aux conditions et restrictions suivantes :

La couverture de la garantie commence à la date de la première installation.

Cette garantie constructeur n'est pas cessible et ne peut pas être prolongée, de quelque manière que ce soit, par l'un de nos représentants.

L'installation doit être réalisée conformément aux instructions d'installation fournies avec le produit, ainsi qu'à tous les codes régionaux et nationaux de construction et des incendies.

Cette garantie limitée ne couvre pas les dommages résultant d'une mauvaise utilisation, d'un manque d'entretien, d'un accident, d'altérations, d'abus ou de négligence. Si des pièces sont installées par d'autres fabricants, cette garantie devient nulle.

Cette garantie limitée ne couvre pas non plus les rayures, les bosselures, la corrosion ou la décoloration résultant d'une chaleur excessive, de nettoyants chimiques et abrasifs, ni les éclats sur les pièces en émail vitrifié ou toute faille mécanique des bûches PHAZER™.

Au cours des deux premières années seulement, cette garantie s'étend à la réparation ou au remplacement de pièces sous garantie qui s'avèrent être défectueuses en termes de matériaux ou de fabrication, sous réserve que le produit ait été utilisé conformément aux instructions d'utilisation et dans des conditions normales.

Napoleon n'est pas responsable de l'installation, de la main-d'œuvre ou de toute autre dépense liée à la réinstallation d'une pièce sous garantie. De telles dépenses ne sont pas couvertes par la garantie. Nonobstant toute disposition prévue dans la garantie limitée, la responsabilité de **Napoleon** au titre de cette garantie est définie comme ci-dessus, et elle ne peut s'appliquer en aucune façon à des dommages accessoires, immatériels ou indirects.

Cette garantie définit les obligations et la responsabilité de **Napoleon** à l'égard de l'appareil électrique **Napoleon** et de toute autre garantie formelle ou tacite vis-à-vis de ce produit ; ses composants ou accessoires sont exclus.

Napoleon n'assume aucune autre obligation et n'autorise aucun tiers à assumer d'autres obligations en son nom au titre de la vente de ce produit.

Tout dégât causé à l'appareil, à la garniture en laiton ou à d'autres composants par de l'eau, des intempéries, de longues périodes d'humidité, de la condensation, des produits chimiques ou des nettoyants n'est pas de la responsabilité de **Napoleon**.

Napoleon se réserve le droit de demander à l'un de ses représentants d'inspecter un produit ou une pièce du produit avant d'honorer une demande de garantie.

Toutes les pièces remplacées sous la politique de garantie limitée doivent faire l'objet d'une seule réclamation.

Toutes les pièces remplacées sous la garantie sont couvertes pendant 90 jours à compter de la date de leur installation.

Le fabricant peut exiger que les pièces ou les produits défectueux soient renvoyés, ou que des photos numériques soient fournies lors de la réclamation. Les produits retournés doivent être expédiés port payé au fabricant pour enquête. S'il s'avère qu'un produit est défectueux, le fabricant assurera la réparation ou le remplacement du produit.

Avant d'expédier votre appareil ou ses composants défectueux, votre détaillant doit obtenir un numéro d'autorisation. Toute marchandise expédiée sans autorisation sera refusée et retournée à l'expéditeur.

Les frais de livraison ne sont pas couverts par cette garantie.

Des frais de service supplémentaires peuvent s'appliquer si vous utilisez le service de garantie d'un détaillant.

Toutes les caractéristiques et les designs peuvent varier sans préavis en raison d'améliorations continues des produits. **Napoleon** est une marque déposée de Wolf Steel Ltd.

NAPOLÉON CÉLÈBRE PLUS DE 40 ANS D'EXISTENCE CONSACRÉS À LA CONCEPTION DE PRODUITS DE CONFORT



WEEE:



Signification du logo affichant une poubelle barrée :

Ne pas jeter les appareils électriques dans les ordures ménagères non sujettes au tri sélectif. Utiliser des points de collecte adaptés. Contacter la collectivité locale pour connaître les modalités de tri sélectif. Si les appareils électriques sont jetés dans une décharge, des substances toxiques peuvent s'infiltrer dans le sol, atteindre les nappes phréatiques et contaminer la chaîne alimentaire, menaçant alors la santé humaine.

Lors de l'achat d'un nouvel appareil, le vendeur est tenu de reprendre gratuitement l'ancien et de se charger lui-même du dépôt en déchetterie.

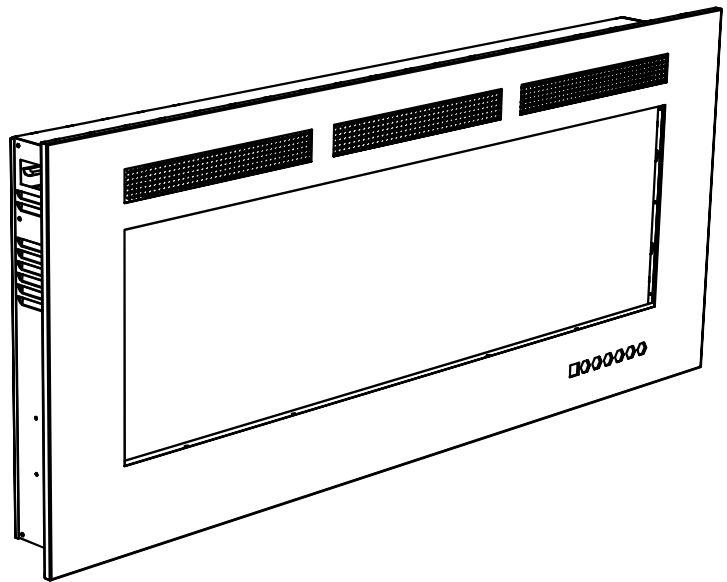


7200, Route Transcanadienne, Montréal, Québec H4T 1A3
24 Napoleon Road, Barrie, Ontario, Canada L4M 0G8
214 Bayview Drive, Barrie, Ontario, Canada L4N 4Y8
103 Miller Drive, Crittenden, Kentucky, USA 41030
De Riemsdijk 22, 4004 LC Tiel, Pays-Bas
napoleon.com



INSTALLATIONS- UND BETRIEBSHANDBUCH

Allure™-Serie
(NEFL50FH-EU abgebildet)



SICHERHEITSMFORMATIONEN

⚠️ WARNUNG

BRAND- ODER EXPLOSIONSGEFAHR

Wenn die Informationen in diesen Anweisungen nicht genau befolgt werden, kann es zu einem Brand oder einer Explosion kommen, die Sachschäden, Personenschäden oder den Tod zur Folge haben kann.

– Lagern oder verwenden Sie kein Benzin oder andere entzündliche Gase und Flüssigkeiten in der Nähe dieses oder eines anderen Geräts.

INSTALLATEUR:

Bewahren Sie dieses Handbuch in der Nähe des Geräts auf

VERBRAUCHER:

Bewahren Sie dieses Handbuch zum künftigen Nachschlagen auf

Hinweis:

Für die Fernbedienung dieses Geräts benötigen Sie zwei Batterien vom Typ AAA. Sie sind nicht im Lieferumfang enthalten.

**ZUR AUSSCHLIESSLICHEN VERWENDUNG
IN INNENRÄUMEN**



SERIENNUMMER VOM KARTON AUFBRINGEN



Wolf Steel Europe BV
De Riemsdijk 22, 4004 LC Tiel, Niederlande

WARNUNG


- **Falls das Gerät mit einer Heizung ausgestattet ist, kann es während des Betriebs heiß werden und bei Berührung kann es zu schweren Verbrennungen kommen.**
- Betreiben Sie das Gerät erst, wenn Sie die Betriebsanweisungen gelesen und verstanden haben. Wenn Sie das Gerät nicht entsprechend den Betriebsanweisungen betreiben, kann es zu Bränden oder Verletzungen kommen.
- Montieren Sie keine beschädigten, unvollständigen oder Ersatzkomponenten.
- Verbrennen Sie kein Holz oder andere Materialien in diesem Gerät.
- Alle Elektrogeräte besitzen im Innern heiße und funkenbildende Teile. Verwenden Sie das Gerät nicht in Bereichen, in denen es Gasleitungen, Farbe oder brennbare Flüssigkeiten gibt.
- Werden Schutzscheiben oder -gitter zwecks Wartung entfernt, müssen diese vor erneuter Inbetriebnahme des Geräts wieder angebracht werden.
- Das Fach mit den Bedienelementen, das Umwälzgebläse und seine Öffnungen im Gerät müssen unbedingt sauber gehalten werden. Das Gerät ist vor der Benutzung und mindestens einmal jährlich von qualifiziertem Servicepersonal zu prüfen. Bei übermäßigem Vorhandensein von Fusseln von Teppichen, Bettwäsche etc. ist möglicherweise eine häufigere Reinigung erforderlich. Der Gerätebereich ist frei von brennbaren Materialien, Benzin und anderen entzündlichen Gasen und Flüssigkeiten zu halten.
- Dieses Gerät darf unter keinen Umständen modifiziert werden.
- Verwenden Sie dieses Gerät nicht, wenn eines seiner Teile in Wasser getaucht wurde. Rufen Sie umgehend einen qualifizierten Servicetechniker an, damit er das Gerät prüft und die Teile des Kontrollsystems, die mit Wasser in Berührung gekommen sind, austauscht.
- Betreiben Sie das Gerät nicht, wenn die Glasscheibe entfernt wurde, gesprungen und zerbrochen ist. Das Glas ist von lizenziertem oder qualifiziertem Servicepersonal auszutauschen.
- Schlagen oder knallen Sie die Glasscheibe des Geräts nicht zu.
- Bewahren Sie das Verpackungsmaterial außerhalb der Reichweite von Kindern auf und entsorgen Sie es auf sichere Art und Weise. Plastiktüten sind kein Spielzeug und müssen von Kindern ferngehalten werden.
- Während der Wartung muss das Gerät von der Stromversorgung getrennt sein.
- Ziehen Sie immer den Netzstecker des Geräts, wenn es nicht in Gebrauch ist.
- Betreiben Sie das Gerät nicht, wenn das Kabel oder der Stecker beschädigt wurde, nachdem das Gerät eine Störung aufgewiesen hat, fallen gelassen oder auf irgendeine Weise beschädigt wurde. Geben Sie das Gerät zwecks Begutachtung, elektrischer oder mechanischer Anpassung oder Reparatur bei der autorisierten Servicestelle ab.
- Nicht im Freien verwenden.
- Positionieren Sie das Gerät nicht so, dass es in eine Badewanne oder einen Wasserbehälter fallen könnte.
- Verlegen Sie das Kabel nicht unter Teppichboden. Decken Sie das Kabel nicht mit kleinen Teppichen, Läufern oder Ähnlichem ab. Verlegen Sie das Kabel abseits von Verkehrsflächen und dort, wo keine Stolpergefahr besteht.
- Schließen Sie es nur an ordnungsgemäß geerdete Steckdosen an.
- Achten Sie darauf, dass keine Fremdkörper in Lüftungs- oder Abluftöffnungen geraten, da dies zu Stromschlag oder Brand führen oder das Gerät beschädigen könnte.

WARNUNG

- Zur Reduzierung der Brandgefahr darf der Luften- und -auslass in keiner Weise blockiert werden. Nicht auf weichen Oberflächen wie Teppichen verwenden, auf denen Öffnungen blockiert werden können.
- Geräte immer direkt an eine Wandsteckdose anschließen. Niemals ein Verlängerungskabel oder eine Steckdosenleiste verwenden.
- Diese Geräte wurden ausschließlich für die Verwendung mit dem in diesen Anweisungen aufgeführten optionalen Zubehör geprüft und gelistet. Die Verwendung von optionalem Zubehör, das nicht speziell für dieses Gerät getestet wurde, kann zum Erlöschen der Garantie bzw. zu einem Sicherheitsrisiko führen.

Für Geräte, die mit einer Heizung ausgestattet sind:

- Verbrennungsrisiko. Vor der Wartung müssen Sie die Stromversorgung zum Gerät trennen und das Gerät abkühlen lassen. Um die Stromversorgung zum Gerät zu trennen, drehen Sie die Bedienelemente in die Position „off“ (aus) und ziehen Sie dann den Stecker aus der Steckdose.
- Kleine Kinder sind gut zu beaufsichtigen, wenn sie sich in demselben Raum wie das Gerät befinden. Kleine Kinder und andere Personen könnten sich versehentlich verbrennen. Eine physische Barriere wird empfohlen, wenn sich gefährdete Personen im Haus befinden. Um den Zugang zu einem Gerät oder einem Ofen zu versperren, montieren Sie ein verstellbares Sicherheitsgitter, sodass kleine Kinder und andere gefährdete Personen nicht den Raum betreten und heiße Oberflächen berühren können.
- Kleidung oder andere brennbare Materialien dürfen nicht auf dem oder in der Nähe des Geräts platziert werden.
- Aufgrund der hohen Temperaturen ist das Gerät außerhalb von Verkehrsflächen und abseits von Möbeln und Vorhängen zu platzieren.
- Ergreifen Sie geeignete Sicherheitsvorkehrungen, um sicherzustellen, dass Kinder/Kleinkinder keine heißen Oberflächen berühren können.
- Auch nach dem Ausschalten des Geräts bleibt das Glas bzw. die Scheibe längere Zeit heiß.
- Fragen Sie Ihren Fachhändler vor Ort nach Schutzscheiben und Schutzvorrichtungen für Feuerstellen, um Kinder vor heißen Oberflächen zu schützen. Diese Scheiben und Schutzvorrichtungen sind am Boden zu befestigen.
- Achten Sie auf Einhaltung von Abständen zu brennbaren Materialien, wenn Sie einen Sims oder Regale über dem Gerät montieren. Erhöhte Temperaturen an der Wand oder in der Luft über dem Gerät können dazu führen, dass Dekoration, Fernseher oder andere elektronischen Komponenten schmelzen, sich verfärben oder beschädigt werden.
- Das Gerät darf nicht unmittelbar unter einer Steckdose platziert werden.
- Dieses Gerät darf von Kindern ab 8 Jahren sowie Personen mit verringerten physischen, sensorischen oder mentalen Fähigkeiten oder Mangel an Erfahrung und Wissen benutzt werden, wenn sie beaufsichtigt werden oder bezüglich des sicheren Gebrauchs des Geräts unterwiesen wurden und die daraus resultierenden Gefahren verstehen. Kinder dürfen nicht mit dem Gerät spielen. Reinigung und Wartung dürfen nur dann von Kindern ausgeführt werden, wenn sie dabei beaufsichtigt werden.

 **WARNUNG:** Durch dieses Produkt können Sie Chemikalien, einschließlich Blei und bleihaltigen Stoffen, ausgesetzt werden, die im Staat Kalifornien als krebserzeugend eingestuft werden, sowie Chemikalien, einschließlich BBP und DEHP, die im Staat Kalifornien als Ursache für Geburtsfehler oder anderen Schädigungen der Fortpflanzungsfähigkeit eingestuft werden. Weitere Informationen finden Sie unter www.P65Warnings.ca.gov.

Inhaltsverzeichnis

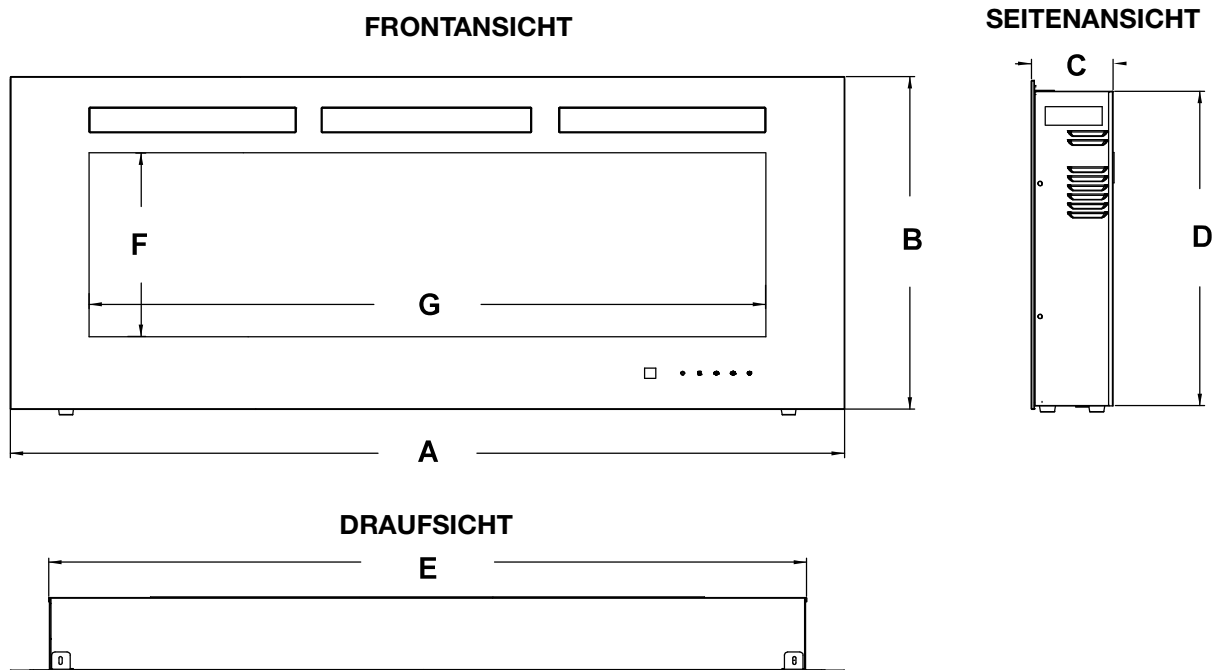
DE

1.0	Allgemeine Informationen	5
1.1	Abmessungen	5
1.2	Produktinformationen	5
1.3	Allgemeine Anweisungen	6
1.4	Auspacken und Testen des Geräts	6
1.5	Liste der Montageteile	7
1.6	Typenschildinformationen	8
1.7	Aufstellen des Geräts	8
2.0	Installation	9
2.1	Mindestabstand zu brennbaren Materialien	9
2.2	Mindestabstand zu Sims	9
2.3	Einrahmung	10
2.4	Installieren des Geräts	11
2.5	Einbauen des Geräts in die Wand	12
2.6	Einbauen des Geräts in Einen Sims	13
2.7	Anbringen der GummifüÙe	14
2.8	Installation der Festverdrahtung	15
3.0	Abschließende Schritte	16
3.1	Anbringen der Glasscheibe	16
3.2	Abnehmen der Glasscheibe	17
3.3	Platzieren der Kristallglut-Elemente	17
4.0	Betriebsanweisungen	18
4.1	Hauptnetzschalter	18
4.2	Bedienen der Touch-Display-Panels	18
4.3	Bedienen der Fernbedienung	19
4.3.1	Einstellen von Datum und Uhrzeit	20
4.3.2	Festlegen der Ein-/Ausschaltzeit und Temperatur in wöchentlichem Rhythmus	20
4.3.3	Warnung zu offenem Fenster	20
5.0	Wartung	21
5.1	Einlegen der Batterien in die Fernbedienung	21
6.0	Anschlussplan	22
7.0	Ersatzteile	24
8.0	Fehlerbehebung	26
9.0	Garantie	28
10.0	Anmerkungen	29

Hinweis:

Änderungen, die nicht redaktioneller Art sind, werden durch eine vertikale Linie am Rand gekennzeichnet.

1.1 Abmessungen



1.2 Produktinformationen

Dieses Gerät wurde entsprechend den GS-Standards für feste und standortgebundene Elektrogeräte in Europa getestet. Falls Sie Hilfe beim Aufbau benötigen, wenden Sie sich bitte an Ihren Händler vor Ort.

Abmessungen							
	A	B	C	D	E	F	G
NEFL32FH-EU	813 mm (32")	550 mm (21 5/8")	127 mm (5")	520 mm (20 1/2")	694 mm (27 5/16")	304 mm (12")	567 mm (22 5/16")
NEFL42FH-EU	1067 mm (42")				951 mm (37 1/2")		821 mm (32 5/16")
NEFL50FH-EU	1270 mm (50")				1154 mm (45 7/16")		1024 mm (40 5/16")
NEFL60FH-EU	1524 mm (60")				1405 mm (55 5/16")		1278 mm (50 5/16")
NEFL72FH-EU	1830 mm (72")				1711 mm (67 3/8")		1583 mm (62 5/8")
NEFL100FH-EU	2540 mm (100")				2422 mm (95 3/8")		2300 mm (90 9/16")

Modell-Nr.	Nettogewicht	Bruttogewicht	Beschreibung	
NEFL32FH-EU	15,7 kg (34,6 lbs)	22,8 kg (50,3 lbs)	Typ	Elektronisches Gerät 3-Wege-Montagevorrichtung Wandmontage, Einbau in die Wand und Montage mit Sims
NEFL42FH-EU	20,1 kg (44,3 lbs)	27,3 kg (60,2 lbs)		
NEFL50FH-EU	23,1 kg (50,9 lbs)	31,44 kg (70 lbs)		
NEFL60FH-EU	27,8 kg (61,3 lbs)	37,17 kg (82 lbs)	Spannung	220–240 V AC
NEFL72FH-EU	37,1 kg (81,8 lbs)	53,2 kg (117,3 lbs)	Watt	MAX 1750–2000 W
NEFL100FH-EU	50,5 kg (111,3 lbs)	72,3 kg (159,4 lbs)		

1.3 Allgemeine Anweisungen

- Bevor Sie Ihr Gerät an eine Steckdose anschließen, vergewissern Sie sich, dass die Sicherungsschalter des Hauses für die Steckdose eingeschaltet sind.
- Das Gerät kann bei der ersten Verwendung einen leichten, jedoch harmlosen Geruch abgeben. Dieser Geruch ist normal und wird durch die erstmalige Erwärmung der innenliegenden Geräteelemente verursacht; anschließend tritt er nicht wieder auf.
- Wenn Ihr Gerät bei Bedarf keine Wärme abgibt, lesen Sie für weitere Informationen den Abschnitt "Betrieb" in diesem Handbuch.
- Verwenden Sie das Gerät mit einem CE- oder GS-zertifizierter Überspannungsschutz.
- Verlegen Sie das Netzkabel nicht direkt unter dem Gerät.

Dieses Elektrogerät erfüllt die Bau- und Sicherheitsnormen von H.U.D. für den Einsatz in Fertighäusern, wenn es gemäß dieser Anleitung installiert wird.

Wie die meisten elektronischen Geräte ist Ihr neues Elektrogerät für den Betrieb bei Temperaturen zwischen 5° C (41° F) und 35° C (95° F) ausgelegt. Lassen Sie das Gerät in den kälteren Wintermonaten erst Raumtemperatur erreichen, bevor Sie es einschalten.

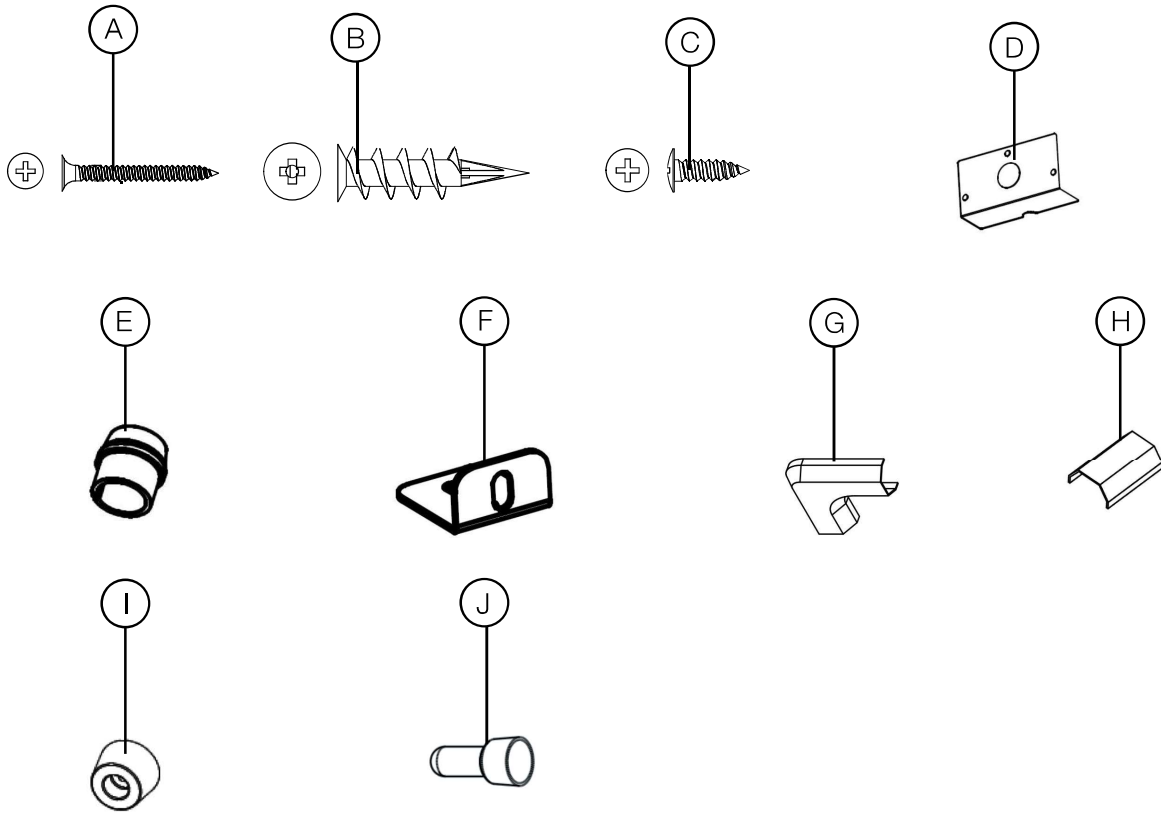
1.4 Auspacken und Testen des Geräts

Nehmen Sie das Gerät vorsichtig aus dem Karton. Testen Sie vor der Installation des Geräts, ob das Gerät ordnungsgemäß funktioniert. Stecken Sie dafür das Netzkabel in eine geeignete, geerdete Steckdose mit 220-240 Volt und 10 Ampere minimum.

Hinweis:

Bei Geräten des Modells NEFL72/100FH-EU ist die Glasscheibe während der Lieferung nicht montiert (Informationen zur Montage finden Sie im Abschnitt „Anbringen der Glasscheibe“).

1.5 Liste der Montageteile



Ref.	Beschreibung	Anzahl					
		NEFL32FH-EU	NEFL42FH-EU	NEFL50FH-EU	NEFL60FH-EU	NEFL72FH-EU	NEFL100FH-EU
A	Holzschrauben	6		12		16	
B	Trockenwanddübel	6		12		16	
C	Metallschrauben	8					
D	Abdeckplatte	1					
E	Zugentlastung	1					
F	Metallwinkel	4					
G	Kabel Winkel	4					
H	Kabel Abdeckung	4	2				
I	Gummifuß	4			6		
J	Kabelverbinder	3					

Allgemeine Informationen

DE

1.6 Typenschildinformationen

ELECTRIC FIREPLACE, SUITABLE FOR BEDROOM AND BED-SITTING ROOM INSTALLATION. SUITABLE FOR MOBILE HOME INSTALLATION.

VOLTAGE: 220-240 VAC
FREQUENCY: 50Hz
POWER: 1750-2000W
DATE CODE: XXXXX

MODELS

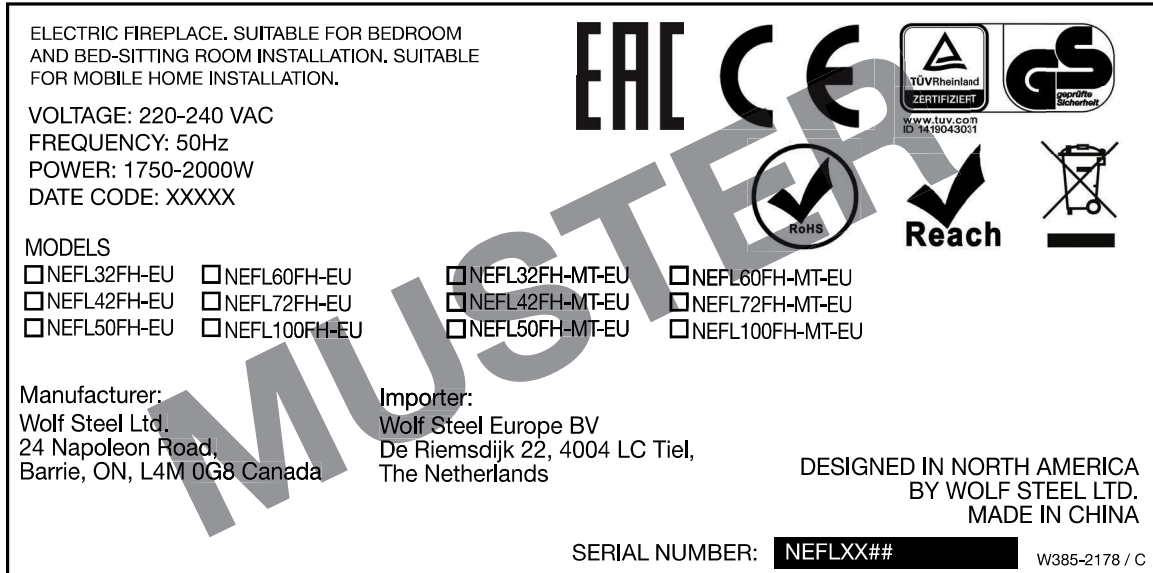
<input type="checkbox"/> NEFL32FH-EU	<input type="checkbox"/> NEFL60FH-EU	<input type="checkbox"/> NEFL32FH-MT-EU	<input type="checkbox"/> NEFL60FH-MT-EU
<input type="checkbox"/> NEFL42FH-EU	<input type="checkbox"/> NEFL72FH-EU	<input type="checkbox"/> NEFL42FH-MT-EU	<input type="checkbox"/> NEFL72FH-MT-EU
<input type="checkbox"/> NEFL50FH-EU	<input type="checkbox"/> NEFL100FH-EU	<input type="checkbox"/> NEFL50FH-MT-EU	<input type="checkbox"/> NEFL100FH-MT-EU

Manufacturer:
Wolf Steel Ltd.
24 Napoleon Road,
Barrie, ON, L4M 0G8 Canada

Importer:
Wolf Steel Europe BV
De Riemsdijk 22, 4004 LC Tiel,
The Netherlands

DESIGNED IN NORTH AMERICA
BY WOLF STEEL LTD.
MADE IN CHINA

SERIAL NUMBER: NEFLXX## W385-2178 / C



Die Abbildung dient nur als Referenz. Genaue Information finden Sie auf dem Typenschild des Geräts.

Hinweis:

Das Typenschild muss stets am Gerät verbleiben. Es darf unter keinen Umständen entfernt werden.

1.7 Aufstellen des Geräts

! WARNUNG

- Aufgrund der hohen Temperaturen ist das Elektrogerät außerhalb von stark frequentierten Bereichen zu platzieren. Halten Sie brennbare Materialien wie Möbel, Kissen, Bettzeug, Papiere, Kleidung, Vorhänge und ähnliche Gegenstände mindestens 91,44 cm (36") von der Vorderseite des Geräts entfernt.
- Positionieren Sie das Elektrogerät nicht so, dass es in eine Badewanne oder einen Wasserbehälter fallen könnte.
- Tragen Sie zum Schutz während der Installation und Wartung Schutzhandschuhe und Schutzbrille.
- Um den Kontakt mit durchhängender oder loser Isolierung zu verhindern, darf das Elektrogerät nicht vor einer Dampfsperre oder einer exponierten Isolierung installiert werden. Es könnte zu einer lokalen Überhitzung kommen, die einen Brand verursachen könnte.
- Setzen Sie das elektrische Gerät nicht den Elementen (Regen, Schnee usw.) aus.

! WARNUNG

- Brandgefahr! Das Netzkabel darf nicht an einer scharfen Kante gequetscht werden. Sichern Sie das Kabel, um Stolpern oder Hängenbleiben zu vermeiden und so das Risiko von Brand, Stromschlag oder Verletzungen zu verringern. Verlegen Sie das Kabel nicht unter Teppichboden. Decken Sie das Kabel nicht mit kleinen Teppichen, Läufern oder ähnlichen Gegenständen ab. Verlegen Sie das Kabel abseits von Verkehrsflächen und dort, wo keine Stolpergefahr besteht.
- Brandgefahr! Zur Reduzierung der Brandgefahr darf der Luftein- und -auslass in keiner Weise blockiert werden. Nicht auf weichen Oberflächen verwenden, auf denen Öffnungen blockiert werden können.
- Brandgefahr! Keine Isolierung gegen das Gerät blasen oder auf diesem platzieren.
- Dieses Elektrogerät wurde ausschließlich für die Verwendung mit dem zugelassenen optionalen Zubehör geprüft und gelistet. Die Verwendung von optionalem Zubehör, das nicht speziell für dieses elektrische Gerät getestet wurde, kann zum Erlöschen der Garantie bzw. zu einem Sicherheitsrisiko führen.
- Wenn die Informationen in diesen Anweisungen nicht genau befolgt werden, kann es zu einem Brand oder einer Explosion kommen, die Sachschäden, Personenschäden oder den Tod zur Folge haben kann. Lagern oder verwenden Sie kein Benzin oder andere entzündliche Gase in der Nähe dieses oder eines anderen Geräts.
- Dieses Gerät ist schwer. Es wird ausdrücklich empfohlen, dass die Installation dieses Geräts von zwei Personen durchgeführt wird.
- Wenn Ihr Gerät mit einer Heizung ausgestattet ist, stellen Sie sicher, dass die Lüftungsöffnungen des Heizers in keiner Weise abgedeckt werden können, da dies eine Brandgefahr darstellen kann.
- Verlegen Sie das Netzkabel nicht waagrecht direkt unter dem Gerät.

Ihr Gerät ist ein Gerät für die Wandmontage, den Einbau in die Wand bzw. den Einbau in einen Sims. Wählen Sie einen geeigneten Standort aus, der nicht anfällig für Feuchtigkeit ist und sich nicht in der Nähe von Vorhängen, Möbeln und stark frequentierten Bereichen befindet.

Hinweis:

Halten Sie sich an alle nationalen und lokalen Vorschriften für elektrische Geräte.

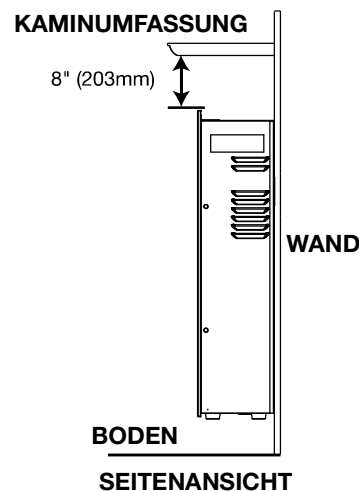
2.1 Mindestabstand zu brennbaren Materialien

Die Messungen wurden von der Glasfront aus vorgenommen:	
Unterseite	0"
Seiten	
Rückseite	
Oberseite	20,3 cm (8") zur Decke/zum Sims

2.2 Mindestabstand zu Sims

! WARNUNG

- Sollten Sie den Sims mit Farbe oder Lack behandeln, müssen diese hitzebeständig sein, um Verfärbungen zu verhindern.

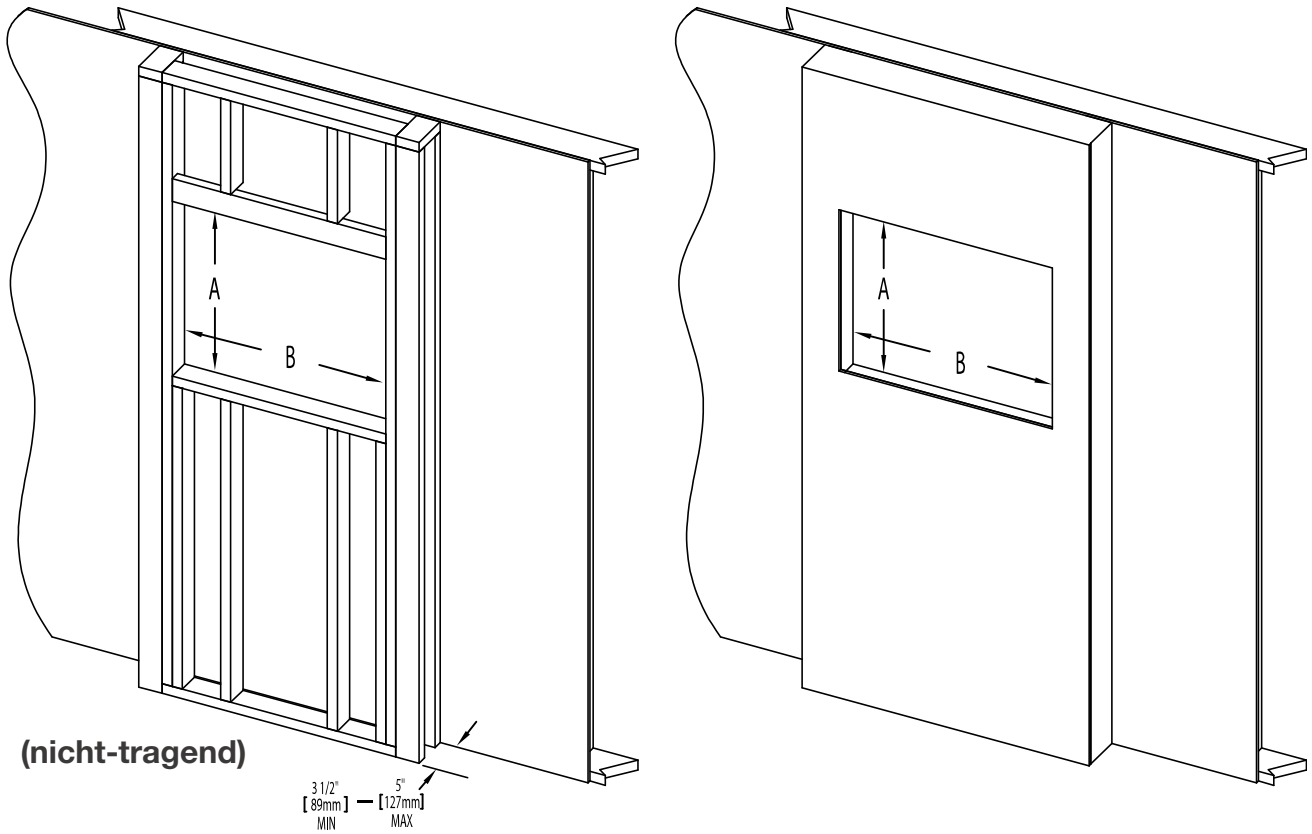


Installation

DE 2.3 Einrahmung

Die Messungen werden von dem Gehäuse aus vorgenommen:	
Seiten, Rückseite und Oberseite	0"

Oberflächenmaterial

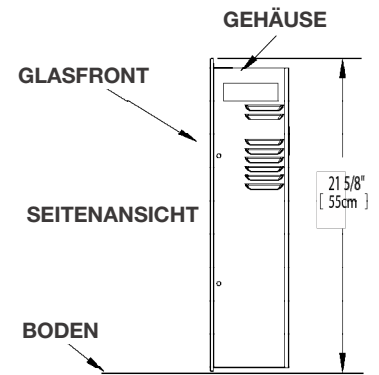


MODELL-NR.	A	B
NEFL32FH-EU	53,5 cm (21")	70,7 cm (27 13/16")
NEFL42FH-EU		96,5 cm (38")
NEFL50FH-EU		116,6 cm (45 15/16")
NEFL60FH-EU		141,8 cm (55 13/16")
NEFL72FH-EU		172,5 mm (67 7/8")
NEFL100FH-EU		243,5 mm (95 7/8")

2.4 Installieren des Geräts

Da Wände aus vielen verschiedenen Materialien bestehen können, sollten Sie Ihr Bauunternehmen vor Ort konsultieren, bevor Sie dieses Gerät an der Wand installieren.

- A. Wählen Sie einen Standort aus, der nicht anfällig für Feuchtigkeit ist und sich in einem Abstand von mindestens 91,4 cm (36") zu brennbaren Materialien wie Vorhängen, Möbeln, Bettwäsche, Papier usw. befindet.
- B. Lassen Sie das Gerät von 2 Personen an die Wand halten, um die genaue Positionierung zu bestimmen.
- C. Legen Sie das Gerät mit der Vorderseite auf eine weiche, nicht scheuernde Oberfläche. Nehmen Sie die Halterung auf der Rückseite des Geräts ab, indem Sie die Schrauben entfernen (**Abb. 1 und 2**).
- D. Markieren Sie die Position an der Wand und befestigen Sie dann die Halterung mit den mitgelieferten Schrauben an der Wand. Die Haken der Halterung **MÜSSEN** nach oben zeigen und die Halterung muss waagrecht ausgerichtet sein.



Hinweis:

Es wird dringend empfohlen die Befestigungshalterung wenn möglich in die Wandpfosten zu schrauben. Sollte dies nicht möglich sein, verwenden Sie die mitgelieferten Kunststoffdübel, um die Halterung an der Wand zu befestigen, und vergewissern Sie sich, dass sie ausreichend gesichert ist.

- E. Nachdem die Wandhalterung montiert wurde, lassen Sie das Gerät von 2 Personen anheben und führen Sie die 2 Haken an der Halterung in die 2 Aussparungen auf der Rückseite des Geräts ein.
- F. Stellen Sie sicher, dass das Gerät ordnungsgemäß angebracht wurde und die Halterung sich nicht aus der Wand lösen kann.

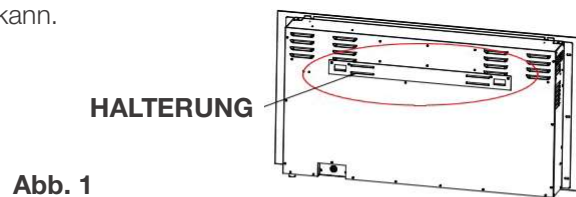
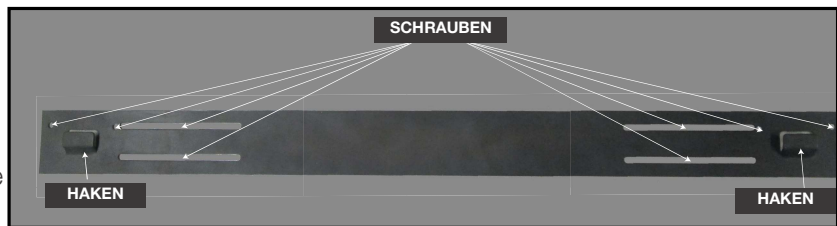
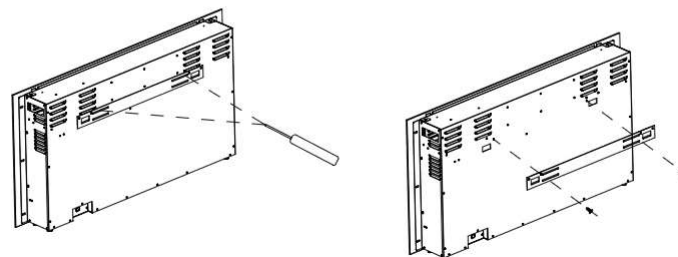
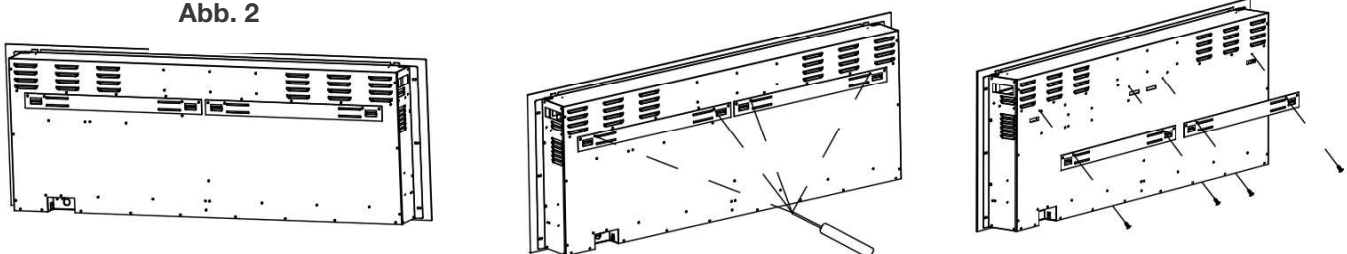


Abb. 1



NEFL32/42/50FH-EU-Halterung abgebildet

Abb. 2



NEFL60/72/100FH-EU-Halterung abgebildet

Installation

DE 2.5 Einbauen des Geräts in die Wand

Da Wände viele verschiedene Oberflächenmaterialien aufweisen können, sollten Sie Ihr Bauunternehmen vor Ort fragen, bevor Sie das Gerät in die Wand einbauen.

Wählen Sie einen Standort aus, der nicht anfällig für Feuchtigkeit ist und sich in einem Abstand von mindestens 91,4 cm (36") zu brennbaren Materialien wie Vorhängen, Möbeln, Bettwäsche, Papier usw. befindet.

- A. Messen Sie das Gerät und erstellen Sie einen Rahmen mit elektrischen Anschlüssen.
- B. Nehmen Sie die Glasscheibe ab (siehe Abschnitt „Abnehmen der Glasscheibe“).
- C. Halten Sie das Gerät hoch, um sicherzustellen, dass es in den Rahmen passt.
- D. Wenn das Gerät ganz in die Wand eingebaut werden soll:
 - Biegen Sie die 2 oberen Laschen an der Glasscheibe nach oben (**Abb. 3, nächste Seite**).
 - Verwenden Sie die 6 Schrauben (mitgeliefert), um das Gerät mit den vorhandenen 2 Seitenflanschen in der Wand zu befestigen (**Abb. 1**).
 - Installieren Sie das Gerät und bringen Sie die Glasscheibe wieder an.
- E. Wenn das Gerät teilweise in die Wand eingebaut werden soll:
 - Verwenden Sie die 2 Befestigungshalterungen (mitgeliefert), um das Gerät an der Wand zu befestigen (**Abb. 2**).

Hinweis:

Für den Einbau in die Wand stehen 2 Bohrungspaare zur Verfügung. Es hängt von der Wandstruktur ab, wie weit das Gerät eingebaut werden kann. Verwenden Sie das entsprechende Bohrungspaar, wenn Sie das Gerät in den Rahmen einbauen. Möglicherweise müssen Sie die 4 Bohrungen oben und unten verwenden.

Abb. 1

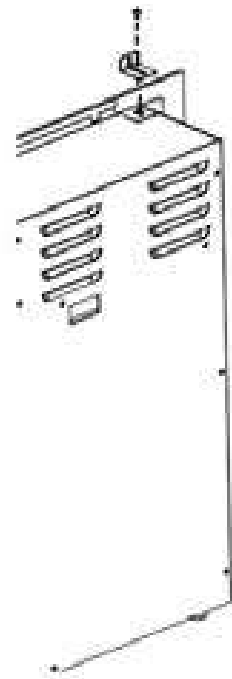
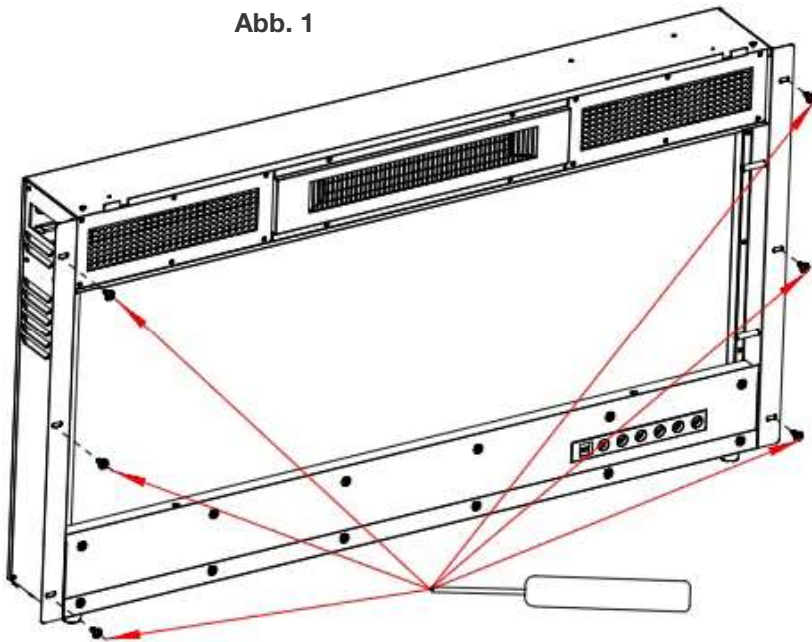


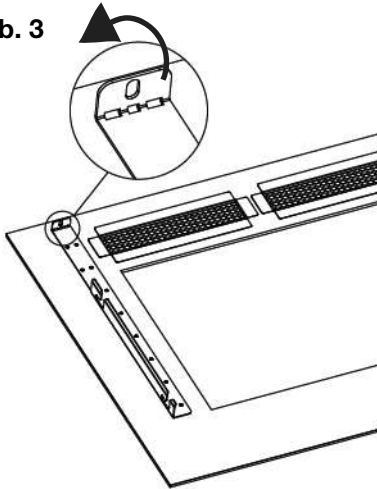
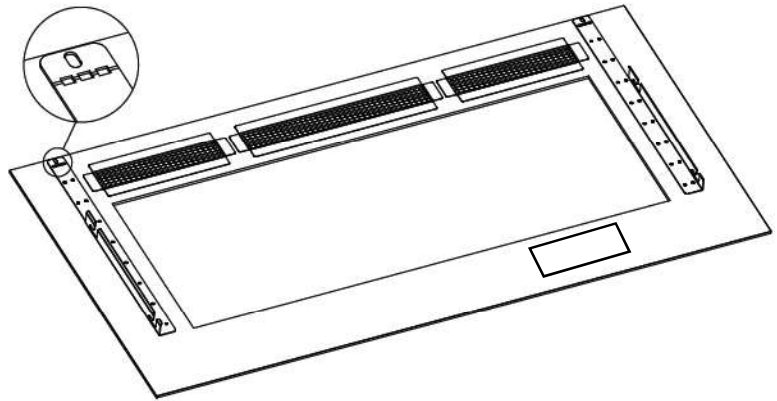
Abb. 2

Hinweis:

Es wird empfohlen, die Wände der Geräteumfassung mit einer Oberflächenvergütung zu versehen (d. h. Trockenwand), damit exponierte Isolierungen oder Dampfsperren nicht in Kontakt mit dem Gerät kommen können. Dadurch wird sichergestellt, dass der erforderliche Abstand zu brennbaren Materialien eingehalten wird.

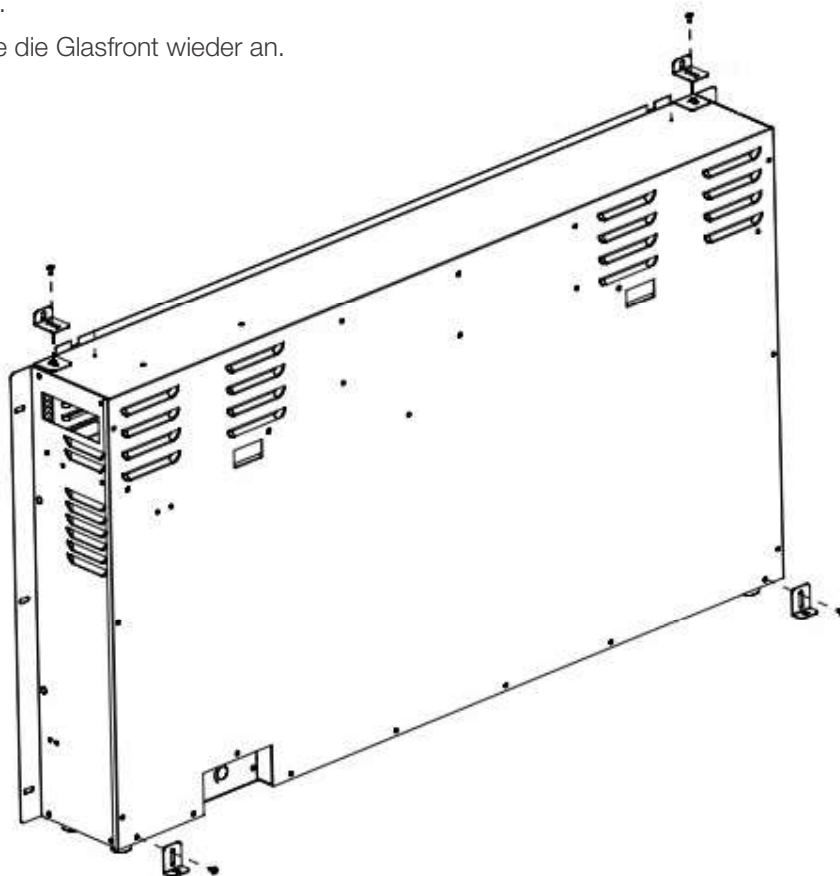
Hinweis:

Die Laschen des Geräts werden gebogen geliefert. Sie müssen von Hand ausgebogen werden, wenn das Gerät ganz in die Wand eingebaut wird (**Abb. 4**).

Abb. 3

Abb. 4


2.6 Einbauen des Geräts in einen Sims

- A. Nehmen Sie die Glasfront ab (siehe Abschnitt „Anbringen der Glasscheibe“).
- B. Bringen Sie die GummifüÙe an der Unterseite des Geräts an, um ihm mehr Stabilität zu verleihen (siehe Abschnitt „Anbringen der GummifüÙe“).
- C. Bringen Sie die mitgelieferten Halterungen oben und unten an.
- D. Setzen Sie das Gerät in den Sims ein und befestigen Sie es mit der Halterung (die entsprechenden Installationsanweisungen für das Gerät finden Sie im Installationshandbuch zum Sims).
- E. Platzieren Sie die Kristallglut-Elemente in der Medienschale (siehe Abschnitt „Platzieren der Kristallglut-Elemente“).
- F. Bringen Sie die Glasfront wieder an.



Installation

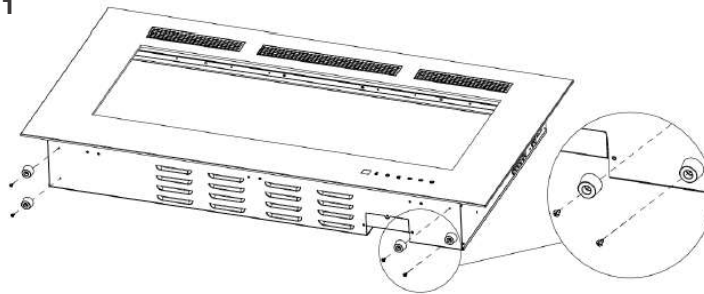
DE 2.7 Anbringen der GummifüÙe

- A. Legen Sie das Gerät mit der Vorderseite auf eine weiche Oberfläche.
- B. Entfernen Sie die Schrauben an der Unterseite des Geräts mit einem Schraubendreher.
- C. Bringen Sie die 4 GummifüÙe (6 GummifüÙe bei NEFL60/72/100FH) mit den Schrauben aus Schritt B an der Unterseite des Geräts an (**Abb. 1 und 2**).

Hinweis:

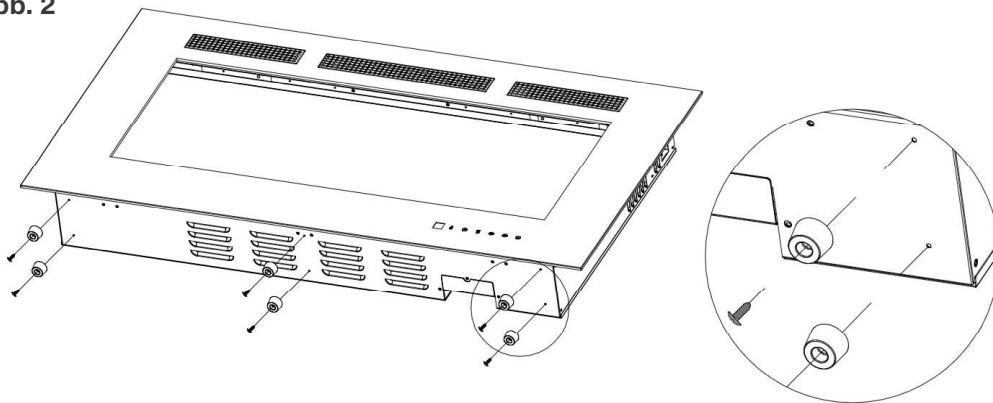
Die Schrauben für das Anbringen der GummifüÙe sind an dem Gerät befestigt. Die Schrauben müssen entfernt werden, um die GummifüÙe anzubringen.

Abb. 1



NEFL32/42/50FH-EU abgebildet

Abb. 2



NEFL60/72/100FH-EU abgebildet

2.8 Installation der Festverdrahtung

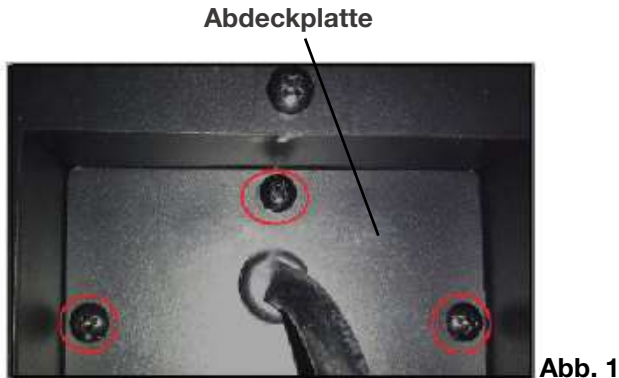
! WARNUNG

- Schalten Sie das Gerät vollständig aus und lassen Sie es abkühlen, bevor es gewartet wird. Das Elektrogerät darf nur von qualifiziertem Servicepersonal gewartet und repariert werden.

Festverdrahtete Verbindung

Sollte es notwendig sein, das Gerät festzuverdrahten, muss ein qualifizierter Elektriker den Kabelanschluss entfernen und das Gerät direkt mit der Hausinstallation verbinden.

Das Gerät muss entsprechend den lokalen Vorschriften angeschlossen und geerdet werden.



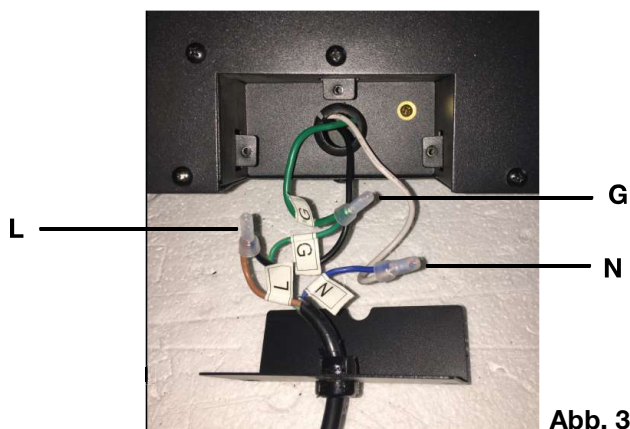
A. Entfernen Sie die Abdeckplatte auf der rechten Seite der Unterseite des Geräts, indem Sie die 3 Schrauben entfernen (**Abb. 1**).

B. Entfernen Sie die Kabelverbinder vom Netzkabel. Das Netzkabel kann entsorgt werden.

C. Nehmen Sie die neue Abdeckplatte aus ihrer Tüte (**Abb. 2**). Stanzen Sie die 22,2-mm-Bohrung (7/8") aus und führen Sie einen Box-Stecker hindurch in den Anschlusskasten. Befestigen Sie die Box-Steckerklemme an den Versorgungskabeln.

D. Verbinden Sie mit den im Montage-Kit enthaltenen Kabelverbindern die grünen Schutzleiter (G), die normalen weißen Kabel (N) und die schwarzen Heizdrähte (L) (**Abb. 3 und 4**).

E. Bringen Sie die Abdeckplatte mit den 3 Schrauben wieder an.



3.0 Abschließende Schritte

DE

! WARNUNG

- Die Stromversorgung muss korrekt eingerichtet werden, bevor die letzten Teile montiert werden, um ein erneutes Auseinanderbauen zu vermeiden.
- Wärmeabzüge und Luftöffnungen dürfen in keinem Fall verdeckt werden.

3.1 Anbringen der Glasscheibe

! WARNUNG

- Das Glas kann heiß sein. Berühren Sie das Glas erst, nachdem dieses abgekühlt ist.
- Wenn Türverriegelungen als Teil eines Sicherheitssystems vorhanden sind, müssen diese ordnungsgemäß eingerastet sein. Betreiben Sie das Gerät nicht mit gelösten Verriegelungen.
- Verkleidungs- bzw. Oberflächenmaterialien dürfen den Luftstrom durch Luftöffnungen, Jalousieöffnungen, die Betätigung von Jalousien oder Türen/Zugängen für Wartungszwecke nicht behindern. Bei der Verwendung brennbarer Materialien sind alle Abstände einzuhalten.
- Schalten Sie das Gerät vor dem Ausbau der Tür aus und warten Sie, bis das Gerät abgekühlt ist. Die Türen sind schwer und empfindlich, gehen Sie daher vorsichtig vor.

NUR FÜR MODELL NEFL72/100FH-EU:

- Entfernen Sie vor dem Anbringen der Glasscheibe die Schrauben, mit denen das Papier, das das Bedienfeld schützt, im Innern des Geräts befestigt ist. Entfernen Sie das Papier.
- Setzen Sie die Schrauben wieder ein (nur bei in der Wand eingebauten Geräten) (**Abb. 1**).
- Entfernen Sie die 2 Schrauben an der Oberseite des Geräts.
- Lassen Sie die Glasscheibe von 2 Personen vom Gerät nehmen. Die Glasscheibe ist beim Tragen senkrecht (nicht waagrecht) zu halten. Legen Sie die Glasscheibe auf eine weiche, nicht scheuernde Oberfläche, ohne das Glas zu biegen.
- Biegen Sie die oberen Laschen gerade (**Abb. 2**).
- Platzieren Sie die Kristallglut-Elemente (siehe Abschnitt „Platzieren der Kristallglut-Elemente“).
- Montieren Sie die Frontscheibe, indem Sie sie an den Stiften am Gerät ausrichten. Drücken Sie das Glas nach innen und unten, bis es sicher in der Halterung einrastet. Es muss ganz einrasten, damit das Touch-Display-Panel korrekt funktioniert.
- Befestigen Sie die Frontscheibe mit den mitgelieferten Schrauben an der Oberseite des Geräts (**Abb. 3, nächste Seite**). Wird das Gerät ganz eingebaut, ist dies nicht notwendig.

Abb. 1

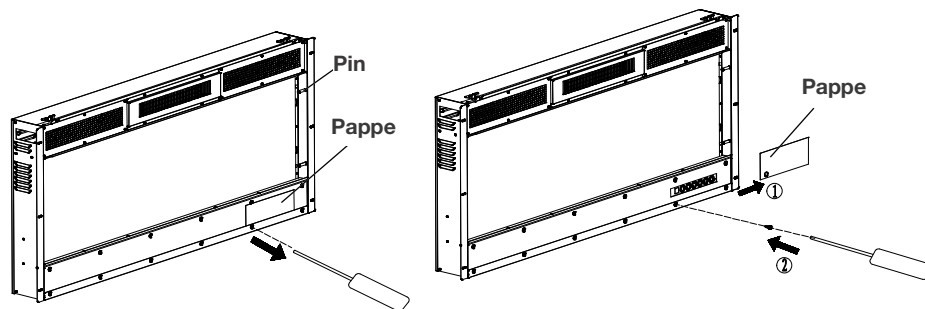
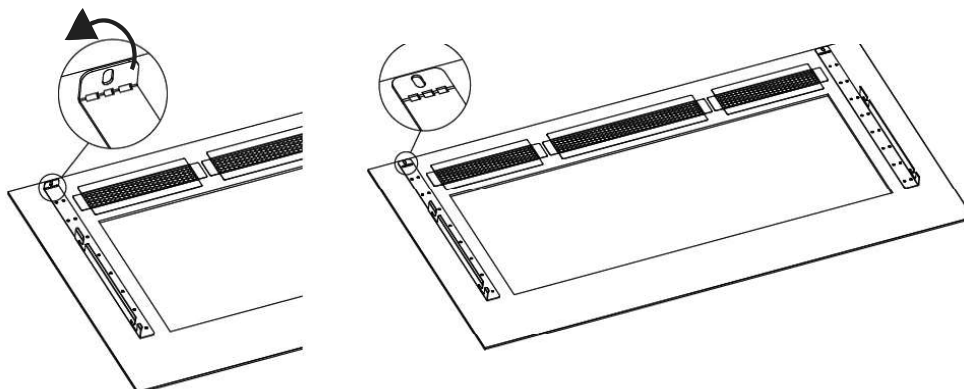
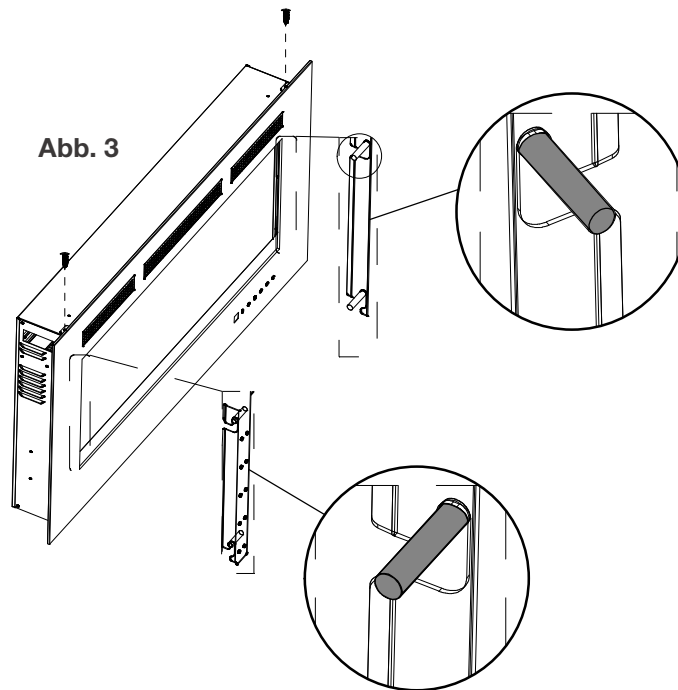


Abb. 2





3.2 Abnehmen der Glasscheibe

NUR FÜR GERÄTE MIT WANDMONTAGE, TEILWEISEM EINBAU UND EINBAU IN SIMS:

- A. Entfernen Sie die 2 Schrauben an der Oberseite des Geräts (**Abb. 1**).
- B. Lassen Sie die Glasscheibe von 2 Personen vom Gerät nehmen. Die Glasscheibe ist beim Tragen senkrecht (nicht waagrecht) zu halten. Legen Sie die Glasscheibe auf eine weiche, nicht scheuernde Oberfläche, ohne das Glas zu biegen.
- C. Platzieren Sie die Kristallglut-Elemente (siehe Abschnitt „Platzieren der Kristallglut-Elemente“). Montieren Sie die Frontscheibe, indem Sie sie an den Stiften am Gerät ausrichten. Dadurch wird sichergestellt, dass das Touch-Display-Panel korrekt funktioniert.

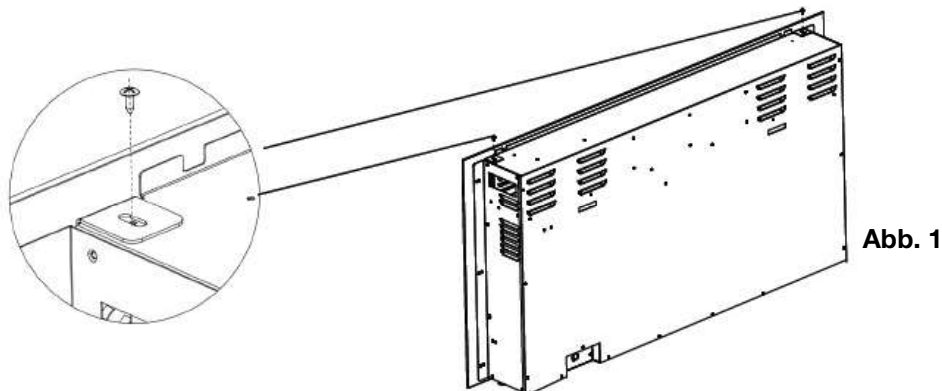


Abb. 1

3.3 Platzieren der Kristallglut-Elemente

Die Glasscheibe muss abgenommen und das Gerät muss an der vorgesehenen Stelle befestigt werden, bevor die Kristallglut-Elemente platziert werden.

- A. Legen Sie die Kristallglut-Elemente vorsichtig in die untere Medienschale an der Vorderseite des Geräts.
- B. Verteilen Sie sie gleichmäßig.



4.0 Betriebsanweisungen

DE

! WARNUNG

- Während das Gerät in Betrieb ist, darf die Glasscheibe nicht entfernt werden. Dies führt zu einer Fehlfunktion der Fernbedienung und des Touch-Panels.

Sobald das Gerät an eine geerdete Steckdose angeschlossen ist, ist es betriebsbereit.

Hinweis:

Vergewissern Sie sich, dass die Sicherungsschalter des Hauses für die Stromversorgung eingeschaltet sind. Im Falle eines Stromausfalls verliert das Gerät seine Speicherfunktion und schaltet bei Wiederherstellung der Stromversorgung auf den Werksmodus zurück.

4.1 Hauptnetzschalter

Der Hauptnetzschalter befindet sich rechts unten an der Vorderseite des Geräts.



4.2 Bedienen des Touch-Display-Panels

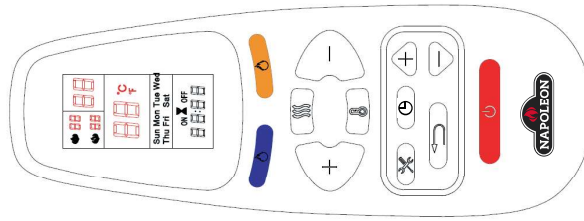
! WARNUNG

- Bewegen oder entfernen Sie die Glasscheibe nicht, wenn das Gerät eingesteckt und in Betrieb ist. Dies führt zu einem Funktionsausfall der Fernbedienung und des Touch-Panels.

Das Touch-Display-Panel wird über LEDs rechts unten an der Vorderseite des Geräts angezeigt. Nach 10 Sekunden ohne Funktionswechsel verschwinden die LEDs. Der Hauptnetzschalter wird abgedunkelt.

NETZSCHALTER		Schaltet das Gerät EIN/AUS.																																					
FLAMME – ORANGE		Regelt die Helligkeit der orangefarbenen Flamme. 6 Einstellungen: F5-F4-F3-F2-F1-F0. Die Helligkeit der Flamme reicht von F5 bis F1. F5 ist dabei die hellste Einstellung, bei F0 ist die Flamme aus.																																					
FLAMME – BLAU		Regelt die Helligkeit der blauen Flamme. 6 Einstellungen: F5-F4-F3-F2-F1-F0. Die Helligkeit der Flamme reicht von F5 bis F1. F5 ist dabei die hellste Einstellung, bei F0 ist die Flamme aus.																																					
HEIZSTRAHLER		Schaltet den Heizstrahler EIN/AUS. (H0) – Kein Heizstrahler oder Gebläse (BL) – Nur Gebläse (H1) – Heizung gibt warme Luft ab. (H2) – Heizung gibt heiße Luft ab. HINWEIS: Funktion des Heizstrahlers kann nacheinander auf H0, BL, H1 oder H2 eingestellt werden. Halten Sie die Heizstrahlertaste für fünf Sekunden gedrückt, um die ausgewählte Einstellung für Heizstrahler und Temperatur zu bestätigen. Halten Sie die Taste erneut für fünf Sekunden gedrückt, um die Einstellung für Heizstrahler und Temperatur aufzuheben.																																					
ZEITUHR		Schaltet die Zeituhr EIN/AUS. 9 Einstellungen: 0,5 h, 1 h, 2 h, 3 h, 4 h, 5 h, 6 h, 7 h, 8 h Drücken Sie die Taste bis zur gewünschten Einstellung.																																					
TEMPERATUR		1. Drücken Sie die Taste einmal, um die Anzeige des Touch-Panels einzuschalten. 2. Drücken Sie die Taste, bis die gewünschte Einstellung erreicht ist. Das digitale Display zeigt die Einstellungskreise wie folgt an: <table border="1" style="width: 100%; text-align: center;"> <tr> <td>Anzeigewert</td> <td>0</td><td>1</td><td>2</td><td>3</td><td>4</td><td>5</td><td>6</td><td>7</td><td>8</td><td>9</td><td>N</td> </tr> <tr> <td rowspan="2">Temperatur</td> <td>°C</td> <td>18</td><td>19</td><td>20</td><td>21</td><td>22</td><td>23</td><td>24</td><td>25</td><td>26</td><td>27</td><td>ON</td> </tr> <tr> <td>°F</td> <td>64</td><td>66</td><td>68</td><td>70</td><td>72</td><td>74</td><td>76</td><td>78</td><td>80</td><td>82</td><td>ON</td> </tr> </table> HINWEIS: Halten Sie die Taste für fünf Sekunden gedrückt, um von °C zu °F und umgekehrt zu wechseln.	Anzeigewert	0	1	2	3	4	5	6	7	8	9	N	Temperatur	°C	18	19	20	21	22	23	24	25	26	27	ON	°F	64	66	68	70	72	74	76	78	80	82	ON
Anzeigewert	0	1	2	3	4	5	6	7	8	9	N																												
Temperatur	°C	18	19	20	21	22	23	24	25	26	27	ON																											
	°F	64	66	68	70	72	74	76	78	80	82	ON																											

4.3 Bedienen der Fernbedienung



NETZSCHALTER		Schaltet das Gerät EIN/AUS.
FLAMME – ORANGE		Regelt die Helligkeit der orangefarbenen Flamme. 6 Einstellungen: F5-F4-F3-F2-F1-F0. Die Helligkeit der Flamme reicht von F5 bis F1. F5 ist dabei die hellste Einstellung, bei F0 ist die Flamme aus.
FLAMME – BLAU		Regelt die Helligkeit der blauen Flamme. 6 Einstellungen: F5-F4-F3-F2-F1-F0. Die Helligkeit der Flamme reicht von F5 bis F1. F5 ist dabei die hellste Einstellung, bei F0 ist die Flamme aus.
HEIZSTRAHLER		Schaltet den Heizstrahler EIN/AUS. (H0) – Kein Heizstrahler oder Gebläse (BL) – Nur Gebläse (H1) – Heizung gibt warme Luft ab. (H2) – Heizung gibt heiße Luft ab. HINWEIS: Funktion des Heizstrahlers kann nacheinander auf H0, BL, H1 oder H2 eingestellt werden. Halten Sie die Heizstrahlertaste für fünf Sekunden gedrückt, um die ausgewählte Einstellung für Heizstrahler und Temperatur zu bestätigen. Halten Sie die Taste erneut für fünf Sekunden gedrückt, um die Einstellung für Heizstrahler und Temperatur aufzuheben.

ZEITUHREINSTELLUNGEN AUF DER FERNBEDIENUNG

: Zeituhr: Zeigt aktuelle Tag-, Uhrzeit- und Wocheneinstellung an. Drücken Sie die Taste, um Zeituhreinstellungen einzugeben oder zu bestätigen.	
: Einstellungen: Drücken, um mit dem nächsten Schritt fortzufahren (mit Zeituhrtaste verwenden). Drücken, um Wochenzeituhr zu bestätigen.	
: Zurück: Drücken, um Zeituhreinstellungen zu löschen. Drücken, um zum vorherigen Schritt zurückzukehren (mit Einstellungstaste verwenden).	
: Nach oben und nach unten (mit Einstellungstaste verwenden).	

LCD-Anzeige

Wochentag Mo, Di, Mi, Do, Fr, Sa, So		Hinweis: Die Funktionen können nur geändert werden, wenn die jeweiligen Buchstaben oder Ziffern blinken.
Zeitanzeige		
Aktuelle Zeit/Zeituhr Von 00: 00 bis 24 HINWEIS: 00-12:00 ist AM / 13:00-24:00 ist PM		

TEMPERATUR

	<p>1. Drücken Sie die Taste einmal, um die Anzeige des Touch-Panels einzuschalten. 2. Drücken Sie die Taste, bis die gewünschte Einstellung erreicht ist. Das digitale Display zeigt die Einstellungskreise wie folgt an:</p> <table border="1"> <thead> <tr> <th>Anzeigewert</th> <th>0</th> <th>1</th> <th>2</th> <th>3</th> <th>4</th> <th>5</th> <th>6</th> <th>7</th> <th>8</th> <th>9</th> <th>N</th> </tr> </thead> <tbody> <tr> <td rowspan="2">Temperatur</td> <td>°C</td> <td>18</td> <td>19</td> <td>20</td> <td>21</td> <td>22</td> <td>23</td> <td>24</td> <td>25</td> <td>26</td> <td>27</td> <td>ON</td> </tr> <tr> <td>°F</td> <td>64</td> <td>66</td> <td>68</td> <td>70</td> <td>72</td> <td>74</td> <td>76</td> <td>78</td> <td>80</td> <td>82</td> <td>ON</td> </tr> </tbody> </table> <p>HINWEIS: Halten Sie die Taste für fünf Sekunden gedrückt, um von °C zu °F und umgekehrt zu wechseln.</p>	Anzeigewert	0	1	2	3	4	5	6	7	8	9	N	Temperatur	°C	18	19	20	21	22	23	24	25	26	27	ON	°F	64	66	68	70	72	74	76	78	80	82	ON
Anzeigewert	0	1	2	3	4	5	6	7	8	9	N																											
Temperatur	°C	18	19	20	21	22	23	24	25	26	27	ON																										
	°F	64	66	68	70	72	74	76	78	80	82	ON																										

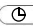






Hinweis:

Schaltflächen ohne Icons sind als Schaltflächen ohne Funktion anzusehen.





Betriebsanweisungen

DE

4.3.1 Einstellen von Datum und Uhrzeit




1. Drücken  Sie einmal. Wenn „MON“ (Montag) blinkt, wählen  Sie mit den aktuellen Tag aus.
2. Drücken  Sie. Wenn die Stundenziffern blinken, wählen  Sie mit die aktuelle Stundenzahl aus.
3. Drücken  Sie erneut. Wenn die Minutenziffern blinken, wählen  Sie mit die aktuelle Minutenzahl aus.
4. Drücken  Sie erneut. Die aktuelle Uhrzeit ist jetzt eingestellt.

4.3.2 Festlegen der Ein-/Ausschaltzeit und Temperatur in wöchentlichem Rhythmus

1. Drücken  Sie. Wenn „MON“ blinkt drücken  Sie 3-mal. Wenn „ON“ blinkt, wählen  Sie mit die gewünschte Stunden- und Minutenzahl aus, zu denen die Heizung eingeschaltet werden soll. Drücken  Sie jederzeit , um die Eingabe zu löschen und den „ON“-Timer zu beenden.

Hinweis:









Der Timer kann nur in 30-minütigen Schritten eingestellt werden (d. h. 00:00–00:30, 00:30–01:00 usw.)

2. Drücken  Sie. Wenn „OFF“ blinkt, wählen  Sie mit die gewünschte Stunden- und Minutenzahl aus, zu denen die Heizung ausgeschaltet werden soll. Drücken  Sie jederzeit , um die Eingabe zu löschen und den „OFF“-Timer zu beenden.

3. Drücken  Sie erneut. Wenn „18“ blinkt, können  Sie mit die gewünschte Temperatur für Montag auswählen.

Hinweis:

Wenn bereits eine Temperatur eingestellt wurde, wird diese Einstellung anstatt der „18“ angezeigt.

4. Drücken  Sie erneut. Wenn „TUES“ angezeigt wird und „ON“ blinkt, wählen  Sie mit die gewünschte Stunden- und Minutenzahl aus, zu denen die Heizung an Dienstagen eingeschaltet werden soll.
5. Drücken  Sie erneut. Wenn „OFF“ blinkt, wählen  Sie mit die gewünschte Stunden- und Minutenzahl aus, zu denen die Heizung an Dienstagen ausgeschaltet werden soll.
6. Drücken  Sie erneut. Wenn „18“ blinkt, können  Sie mit die gewünschte Temperatur für Dienstag auswählen.
7. Wiederholen Sie die Schritte 1 bis 6, um die Ein- und Ausschaltzeiten und Temperaturen für Mittwoch, Donnerstag, Freitag, Samstag und Sonntag einzustellen.
8. Drücken  Sie oder  , um die Eingabe abzuschließen. Achten Sie darauf, dass die Fernbedienung auf den Empfänger in der Mitte des Geräts gerichtet ist. Das Gerät gibt einen Piepton ab, um zu bestätigen, dass die Eingabe erfolgreich war.

4.3.3 Warnung zu offenem Fenster

Wenn die Raumtemperatur innerhalb von 3 Minuten um 10 Grad sinkt, geht das Gerät davon aus, dass ein Fenster geöffnet wurde. Um Energie zu sparen, schaltet die Heizung automatisch von hoher Hitze auf niedrige Hitze um, oder, wenn die Heizung bereits auf niedrige Hitze eingestellt ist, schaltet sie sich ganz aus.

Beim Umstellen von hoher Hitze auf niedrige Hitze gibt das Gerät 3 Pieptöne von sich. Im digitalen Display blink „88“ 3-mal auf. Dann wird der aktuelle Heizstatus angezeigt.

Wenn das Gerät sich abschaltet, gibt es 3 Pieptöne von sich. „88“ blinkt kontinuierlich im digitalen Display.

Wie Sie die Heizfunktion zurücksetzen, können Sie im Abschnitt „Bedienen der Fernbedienung“ nachlesen.

! WARNUNG

- Schalten Sie zur Vorbereitung von Wartungsarbeiten stets den Strom ab und lassen Sie das elektrische Gerät abkühlen, bevor Sie es reinigen, warten oder umstellen. Schalten Sie die Bedienelemente aus und ziehen Sie den Stecker aus der Steckdose oder schalten Sie den Sicherungsschalter des Hauses zur Steckdose des elektrischen Geräts aus.
- Installieren Sie keine Ersatzlampen, die die angegebene maximale Wattleistung überschreiten.
- Die Halogenlampen in Ihrem Gerät können extrem heiß werden. Warten Sie zwischen dem Ausschalten des Geräts und dem Entfernen der Lampen mindestens 10 Minuten, um versehentliche Verbrennungen zu vermeiden.
- Fassen Sie die Lampe nicht mit bloßen Fingern an. Verwenden Sie Handschuhe oder ein sauberes trockenes Tuch, wenn Sie die Lampe anfassen, da das Öl der Haut die Lampe beim Erhitzen beschädigen kann.

5.1 Einlegen der Batterien in die Fernbedienung**Hinweis:**

Für die Fernbedienung benötigen Sie zwei Batterien vom Typ AAA (nicht enthalten).

! WARNUNG

- Entsorgen Sie Batterien NIEMALS im Feuer. Bei Nichtbeachtung dieser Vorsichtsmaßnahme kann es zu Explosionen kommen. Entsorgen Sie die Batterien bei Ihrer örtlichen Gefahrstoffentsorgungsstelle.

Hinweis:

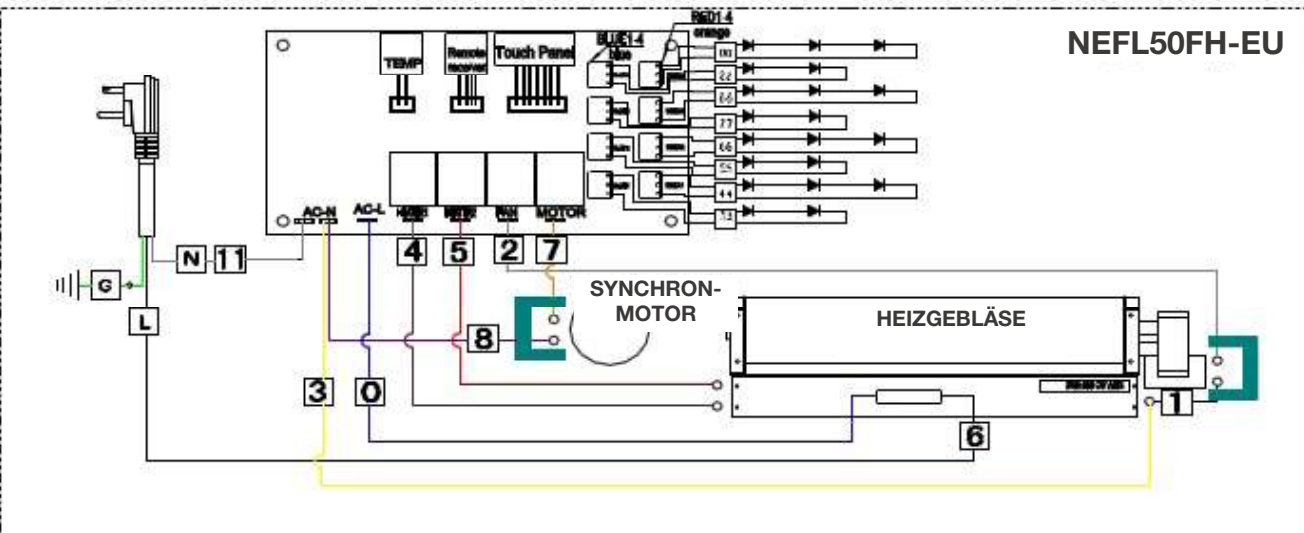
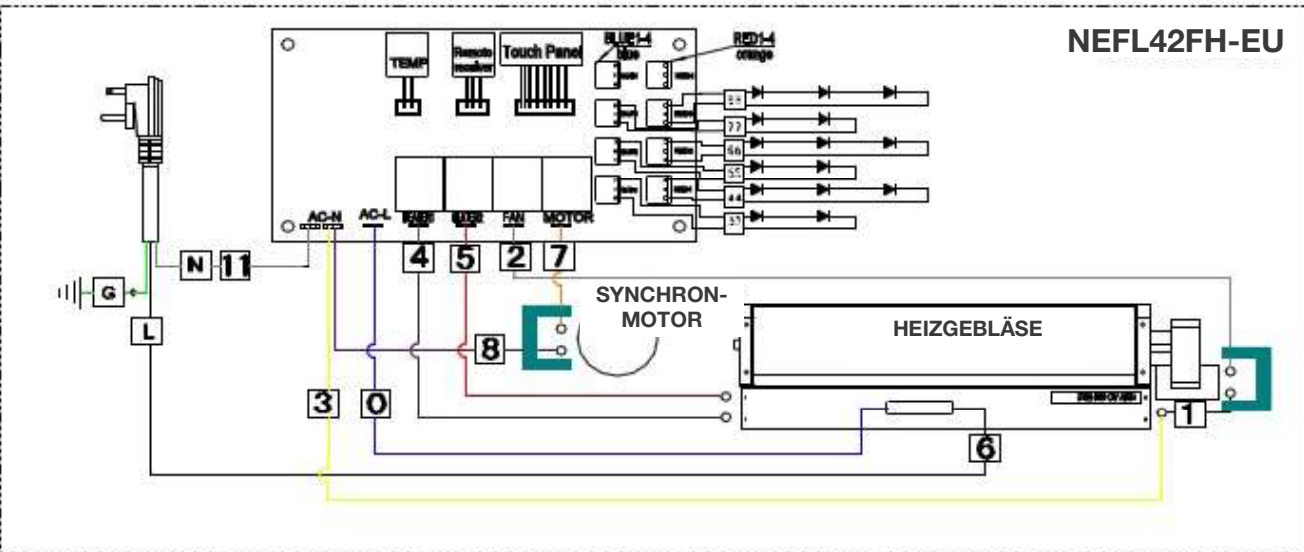
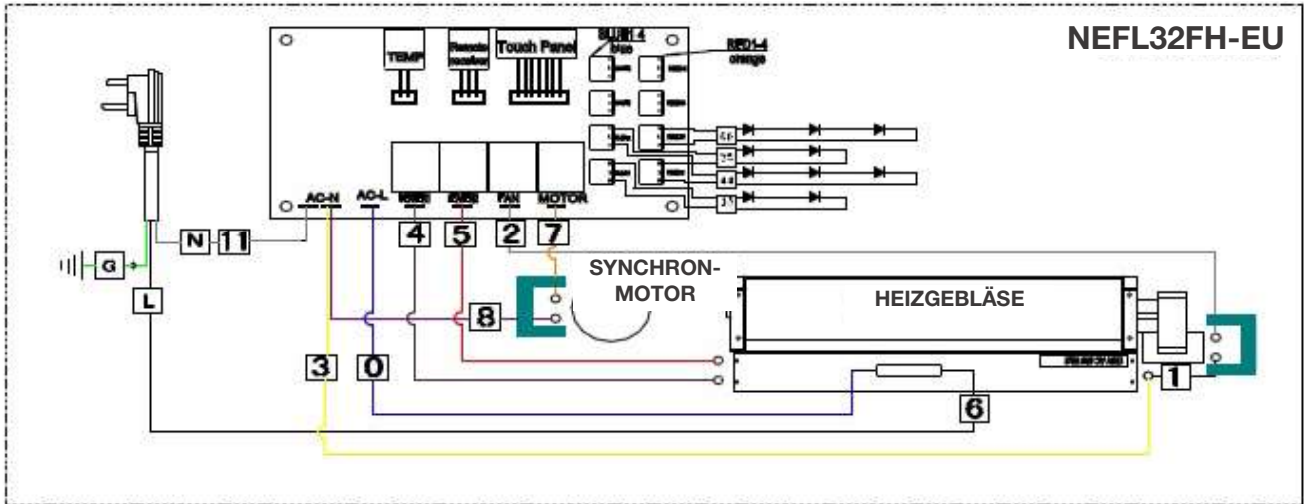
Um effektiv zu funktionieren, muss sich die Fernbedienung in einem Umkreis von 5 Metern (17 Fuß) zum Gerät befinden. Wenn die Batterie nicht mehr vollständig geladen ist, müssen Sie den Abstand unter Umständen verringern.

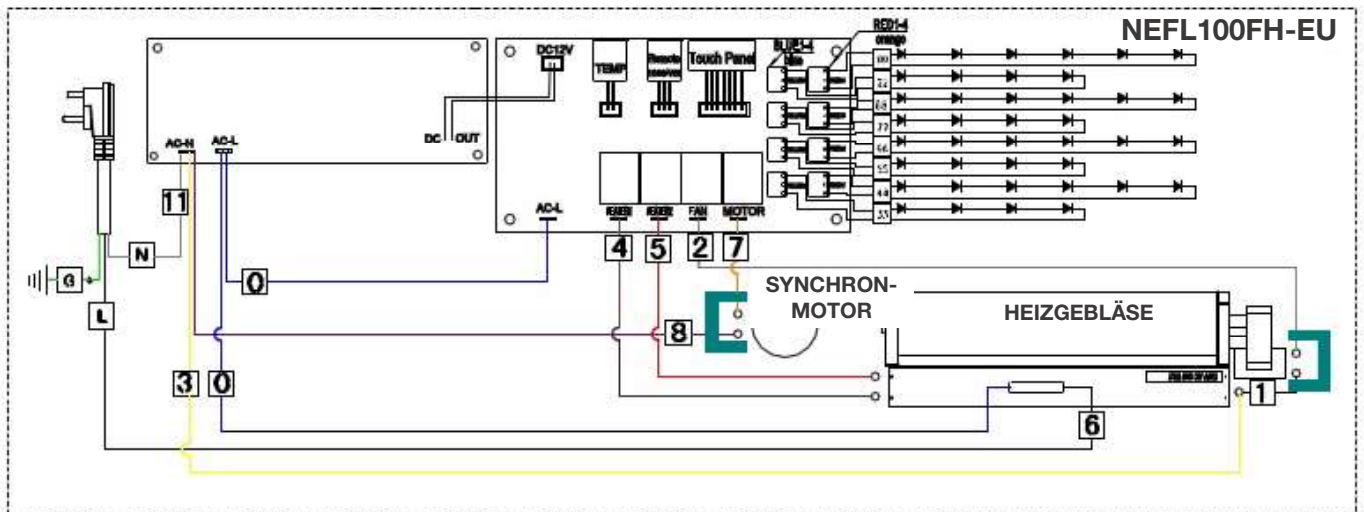
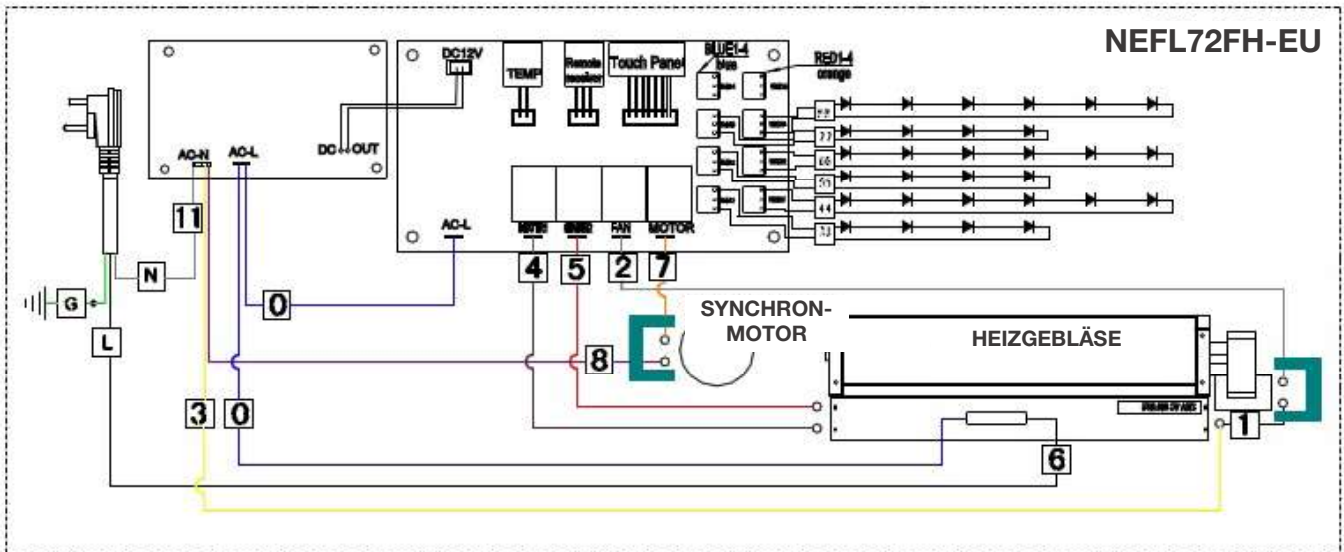
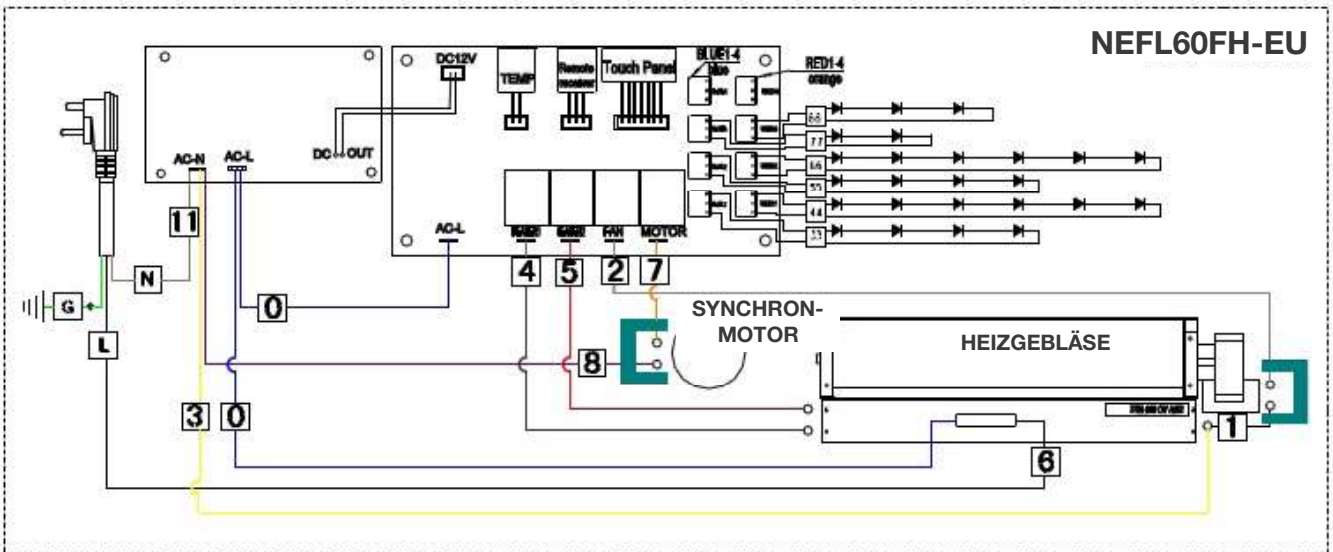
6.0 Anschlussplan

DE

! WARNUNG

- Schalten Sie das Gerät vollständig aus und lassen Sie es vor der Wartung abkühlen. Das Elektrogerät darf nur von qualifiziertem Servicepersonal gewartet und repariert werden.





7.0 Ersatzteile

DE

WARNUNG

- Wenn die Teile nicht gemäß diesem Handbuch eingebaut werden oder Teile verwendet werden, die nicht für dieses Gerät zugelassen sind, können Sach- oder Personenschäden entstehen.

Bei Fragen zu Preisen und Richtlinien zu Ersatzteilen wenden Sie sich an Ihren Händler. In der Regel können alle Teile über Ihren autorisierten Händler/Lieferanten bestellt werden.

Zur Erfüllung des Gewährleistungsanspruchs auf Ersatzteile ist eine Kopie der Originalrechnung erforderlich.

Geben Sie bei der Bestellung von Ersatzteilen immer folgende Informationen an:

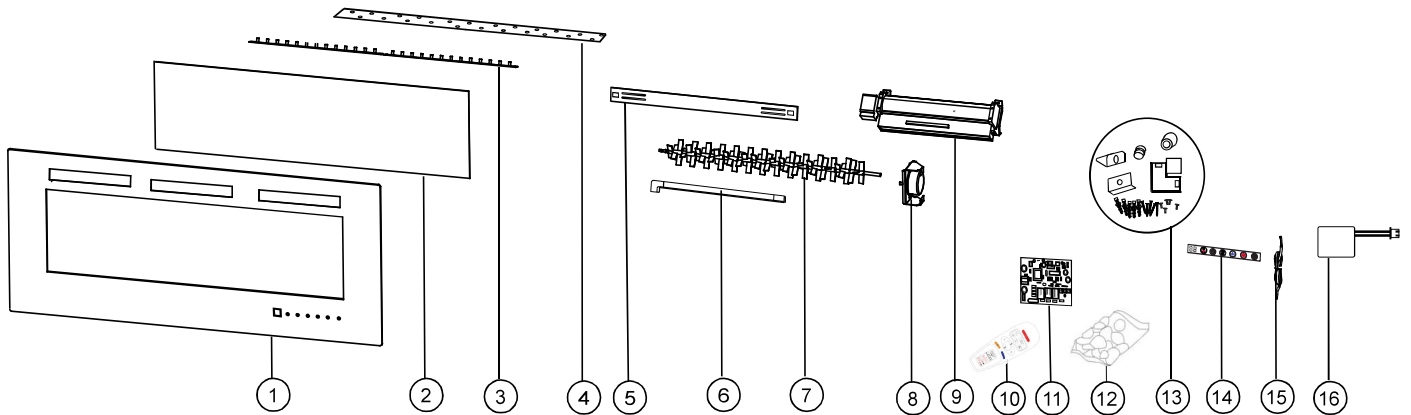
- Modell- und Seriennummer des Geräts
- Installationsdatum des Geräts
- Teilenummer
- Beschreibung des Teils
- Oberflächenausführung

Teile, Teilenummern und Verfügbarkeit können ohne vorherige Ankündigung geändert werden.

Vorrätige Teile werden für die meisten Lieferorte innerhalb von zwei bis fünf Werktagen geliefert.

Nicht vorrätige Teile werden in den meisten Fällen innerhalb von zwei bis vier Wochen geliefert.

Als „SO“ markierte Teile sind Sonderaufträge und können eine Lieferzeit von bis zu 90 Tagen erfordern.



Möglicherweise sehen einzelne Elemente nicht genau wie abgebildet aus.

REF.	NEFL32FH-EU	NEFL42FH-EU	NEFL50FH-EU	NEFL60FH-EU	NEFL72FH-EU	NEFL100FH-EU	Beschreibung
1	W300-0226	W300-0224	W300-0227	W300-0228	W300-0229	W300-0230	Glasscheibe
2	W475-1192	W475-1185	W475-1193	W475-1194	W475-1195	W475-1196	Acryl-Kunststoffblende
3	W405-0033			W405-0033 + W405-0037	W405-0033 + W405-0037	W405-0033 + W405-0037	LED-Licht
4	W497-0014	W497-0013	W497-0015	W497-0016	W497-0017	W497-0018	Kunststoffleiste
5	W080-1616-SER					W080-1621	Halterung zur Befestigung an der Wand
6	W200-0571	W200-0572-SER	W200-0572-SER	W200-0572-SER	W200-0572-SER	W200-0572-SER	Kabelabdeckung
7	W527-0009	W527-0008	W527-0010	W527-0011	W527-0012	W527-0013	Reflektorspindel
8	W435-0087						Synchronmotor (EU)
9	W062-0073						Gebälse- und Heizungsbaugruppe (EU)
10	W190-0138						Fernbedienung
11	W190-0139			W190-0140			Leiterplatte (EU)
12	W497-0019	W497-0020	W497-0021	W497-0022	W497-0023	W497-0024	Kristallglut-Elemente
13	W370-0050			W370-0055		W370-0057	Montage-Kit
14	W475-1184						Bedienfeld mit (mit Fernempfänger)
15	W750-0370	W750-0371	W750-0372	W750-0373	W750-0374	W750-0375	Kabelsatz
16	W690-0021						Thermostat
17*	W005-0023-SER						UK-Adapter
18*	W005-0024-SER						Adapter für die Schweiz

* Teile nicht abgebildet.

8.0 Fehlerbehebung

DE

WARNUNG

- Schalten Sie das Gerät vollständig aus und lassen Sie es vor der Wartung abkühlen. Das Elektrogerät darf nur von qualifiziertem Servicepersonal gewartet und repariert werden.

Symptom	Problem	Lösung
Das Gerät schaltet sich nicht ein, wenn der Netzschalter in die Ein-Position gebracht wird.	Das Gerät ist nicht an eine Steckdose angeschlossen.	Überprüfen Sie den Stecker und schließen Sie das Gerät gegebenenfalls an.
	Festverdrahtete Verbindungen sind nicht korrekt (falls zutreffend).	Siehe Abschnitt „Installation der Festverdrahtung“.
	Das Gerät ist überhitzt und der Thermoschutzschalter hat ausgelöst.	Ziehen Sie das Netzkabel und lassen Sie das Gerät 15 Minuten abkühlen. Schließen Sie das Netzkabel dann wieder an und schalten Sie das Gerät ein.
	Problem mit der Hauptleiterplatte.	Überprüfen Sie die Leiterplatte und tauschen Sie sie gegebenenfalls aus.
Das Gerät schaltet sich aus und lässt sich nicht wieder einschalten.	Der Sicherungsschalter des Hauses hat ausgelöst.	Setzen Sie den Sicherungsschalter des Hauses zurück.
	Die Sicherung des Geräts ist durchgebrannt.	Tauschen Sie die Sicherung aus.
	Das Gerät ist überhitzt und der Thermoschutzschalter hat ausgelöst.	Ziehen Sie das Netzkabel und lassen Sie das Gerät 15 Minuten abkühlen. Schließen Sie das Netzkabel dann wieder an und schalten Sie das Gerät ein.
Die Fernbedienung funktioniert nicht.	Schwache oder leere Batterien.	Tauschen Sie die Batterien in der Fernbedienung aus.
	Fehlfunktion des Fernempfängers.	Vergewissern Sie sich, dass der Fernempfänger nicht blockiert wird. Tauschen Sie das Bedienfeld aus.
Es kommt keine warme Luft aus dem Gerät.	Es wurde keine Heizungseinstellung ausgewählt.	Siehe Abschnitt „Betrieb“.
	Die Heizung wurde gesperrt.	Siehe Abschnitt „Betrieb“.
	Die Raumtemperatur ist höher als die Geräteeinstellung (falls auf Raumtemperatur gestellt).	Setzen Sie die Temperatureinstellung zurück.
	Das Gerät ist überhitzt und der Thermoschutzschalter hat ausgelöst.	Ziehen Sie den Netzstecker oder schalten Sie den Sicherungsschalter aus. Lassen Sie das Gerät 15 Minuten lang abkühlen.
	Festverdrahtete Verbindungen sind nicht korrekt (falls zutreffend).	Siehe Abschnitt „Installation der Festverdrahtung“.
	Problem mit der Heizung.	Überprüfen Sie das Gebläse und die Heizung und tauschen Sie sie gegebenenfalls aus.
Die Heizung schaltet automatisch aus.	Der Raum ist zu warm.	Die Heizung hat einen eingebauten Thermostat. Sie schaltet sich daher automatisch aus, sobald die voreingestellte Temperatur erreicht ist. Sie schaltet sich wieder ein, sobald die Raumtemperatur unter die voreingestellte Temperatur fällt.
Schwache oder keine Flamme.	Flammenhelligkeit nicht ausgewählt.	Siehe Abschnitt „Betrieb“.
	Problem mit Flammen-LED.	Überprüfen Sie die LED und tauschen Sie sie gegebenenfalls aus.
	Problem mit der Hauptleiterplatte.	Überprüfen Sie die Hauptleiterplatte und tauschen Sie sie gegebenenfalls aus.

Touch-Panel/ Fernbedienung funktionieren nicht.	Die Glasscheibe wurde bewegt oder ist nicht ordnungsgemäß gesichert.	Ziehen Sie den Netzstecker. Wenn das Gerät in die Wand eingebaut wurde, schalten Sie den Sicherungsschalter des Hauses aus. Vergewissern Sie sich, dass die Frontscheibe richtig positioniert ist und flach am Touch-Panel des Geräts anliegt. Schließen Sie das Gerät nach 10 Sekunden wieder an und schalten Sie es ein, um es zurückzusetzen.
Das Glutbett glüht nicht und wird auch nicht dunkler.	Die Helligkeit wurde nicht ausgewählt.	Siehe Abschnitt „Betrieb“.
	Problem mit der Glut-LED.	Überprüfen Sie die Glutbett-LED und tauschen Sie sie gegebenenfalls aus.
	Problem mit der Hauptleiterplatte.	Überprüfen Sie die Hauptleiterplatte und tauschen Sie sie gegebenenfalls aus.

Hinweis:

Beim Entfernen und Entsorgen von zerbrochenem Glas oder beschädigten Bauteilen ist Vorsicht geboten. Saugen Sie Glasscherben vor dem Betrieb unbedingt aus dem Inneren des Geräts auf.

9.0 Garantie

DE

Napoleon Elektrogeräte werden unter dem strengen Standard der weltweit anerkannten Qualitätsmanagementnorm ISO 9001 : 2015 hergestellt.

Die Produkte von **Napoleon** werden mit hochwertigen Komponenten und Materialien entwickelt und von qualifizierten Facharbeitern montiert, die großen Wert auf die Qualität ihrer Arbeit legen. Nach der Montage wird das komplette Gerät vor dem Verpacken von einem qualifizierten und zugelassenen Installateur, einer Servicestelle oder einem Lieferanten gründlich inspiziert, um sicherzustellen, dass Sie als Kunde das Qualitätsprodukt erhalten, das Sie von **Napoleon** erwarten.

Eingeschränkte Garantie von Napoleon auf Elektrogeräte

Elektrische Komponenten und Verschleißteile sind abgedeckt, und **Napoleon** stellt während der ersten 2 Jahre der eingeschränkten Garantie kostenlos Ersatzteile zur Verfügung. Dies beinhaltet: Lüfter/Heizgeräte, Motoren, Schalter, Nylon-Lagerkomponenten, Fernbedienungen und LED-Leuchten.*

Glühlampen und Sicherungen sind **NICHT** durch die Garantie abgedeckt.

Jegliche Arbeit im Zusammenhang mit Garantiereparaturen ist nicht abgedeckt.

* Die Konstruktion verschiedener Modelle variiert. Die Garantie gilt nur für Komponenten Ihres spezifischen Geräts.

Bedingungen und Einschränkungen

Napoleon übernimmt die Gewährleistung seiner Produkte für Herstellungsfehler ausschließlich dem ursprünglichen Käufer gegenüber. Eine Registrierung Ihrer Garantie ist nicht erforderlich. Legen Sie einfach Ihren Kaufbeleg zusammen mit der Modell- oder Seriennummer vor, um einen Garantieanspruch geltend zu machen. Vorausgesetzt, dass der Kauf über einen autorisierten **Napoleon** Händler erfolgt ist, gelten für unser Gerät folgende Bedingungen und Einschränkungen:

Der Garantieanspruch beginnt mit dem Datum der ursprünglichen Installation.

Diese Werksgewährleistung ist nicht übertragbar und kann in keiner Form von einem unserer Vertreter verlängert werden.

Der Einbau hat in Übereinstimmung mit der im Lieferumfang enthaltenen Einbauanleitung sowie lokalen und nationalen Bau- und Brandschutzverordnungen zu erfolgen.

Diese eingeschränkte Gewährleistung deckt keine Schäden ab, die durch Fehlgebrauch, fehlende Wartung, Unfälle, Umbau, unsachgemäße Verwendung oder Nachlässigkeit entstehen; durch den Einbau von Ersatzteilen anderer Hersteller wird diese Gewährleistung nichtig.

Diese eingeschränkte Gewährleistung deckt des Weiteren keine Kratzer, Dellen, Korrosion oder Verfärbungen durch Hitze, abrasive und chemische Reinigungsmittel sowie das Abblättern bei porzellanisierten Teilen oder mechanischen Bruch von PHAZER™ Holzscheiten ab.

Nur in den ersten 2 Jahren erstreckt sich diese Garantie auf die Reparatur oder den Ersatz von Teilen, die unter die Garantie fallen und Material- oder Verarbeitungsfehler aufweisen, vorausgesetzt, dass das Produkt in Übereinstimmung mit der Bedienungsanleitung und unter normalen Bedingungen betrieben wurde.

Napoleon übernimmt keine Verantwortung für den Einbau, die Arbeitskosten oder andere Ausgaben im Zusammenhang mit dem erneuten Einbau des über die Gewährleistung bezogenen Teils; und solche Kosten werden von dieser Gewährleistung nicht abgedeckt. Unbeschadet anders lautender Bestimmungen in dieser eingeschränkten Gewährleistung ist die Verantwortung von **Napoleon** wie oben beschrieben definiert und wird in keinem Fall auf zufällige, daraus folgende oder indirekte Schäden erweitert.

Diese Garantie definiert die Verpflichtungen und die Haftung von **Napoleon** in Bezug auf das **Napoleon** Elektrogerät und alle anderen ausdrücklichen oder impliziten Garantien in Bezug auf dieses Produkt; seine Komponenten oder Zubehörteile sind ausgeschlossen.

Napoleon übernimmt keine weiteren Haftungen im Hinblick auf den Verkauf dieses Produkts und autorisiert keine Dritten zur Übernahme solcher Haftungen.

Jegliche Schäden an Geräten, Messingbeschlägen oder anderen Komponenten durch Wasser, Witterungsschäden, lange Feuchtigkeitsperioden, Kondenswasser, schädliche Chemikalien oder Reinigungsmittel fallen nicht in die Verantwortung von **Napoleon**.

Napoleon behält sich das Recht vor, das Produkt oder das Teil vor der Gewährung der Ansprüche durch einen Vertreter überprüfen zu lassen.

Für alle im Rahmen der eingeschränkten Gewährleistung ausgetauschten Teile ist nur ein einzelner Anspruch möglich.

Alle Teile, die im Rahmen der Garantie ersetzt werden, sind für einen Zeitraum von 90 Tagen ab dem Datum ihrer Installation abgedeckt.

Der Hersteller kann verlangen, dass defekte Teile oder Produkte zurückgegeben werden oder dass digitale Bilder zur Unterstützung des Anspruchs zur Verfügung gestellt werden. Zurückgesandte Produkte sind zur Unterstützung franko an den Hersteller zu senden. Wenn festgestellt wird, dass ein Produkt defekt ist, repariert oder ersetzt der Hersteller diesen Defekt.

Bevor Sie Ihr Gerät oder defekte Komponenten versenden, muss Ihr Händler eine Autorisierungsnummer erhalten. Alle ohne Genehmigung versendeten Waren werden nicht angenommen und an den Absender zurückgeschickt.

Versandkosten sind nicht durch diese Garantie abgedeckt.

Es können zusätzliche Servicegebühren anfallen, wenn Sie Garantieleistungen von einem Händler in Anspruch nehmen.

Alle Spezifikationen und das Design können aufgrund von laufenden Produktverbesserungen ohne vorherige Ankündigung geändert werden.

Napoleon ist eine eingetragene Marke von Wolf Steel Ltd.

FEIERN SIE MIT UNS – SEIT ÜBER 40 JAHREN WOHNKOMFORT PRODUKTE VON NAPOLEON!



WEEE:



Bedeutung der durchgestrichenen Abfalltonne auf Rädern:

Entsorgen Sie Elektrogeräte nicht über den Hausmüll. Nutzen Sie separate Sammelstellen. Informationen zu verfügbaren Sammelsystemen erhalten Sie bei Ihrer Gemeindeverwaltung. Wenn Elektrogeräte auf Müllhalden oder Deponien entsorgt werden, können gefährliche Stoffe in das Grundwasser und damit in die Nahrungskette gelangen, was eine Gefahr für Gesundheit und Wohlbefinden darstellt.

Beim Austausch alter Geräte gegen neue ist der Händler gesetzlich verpflichtet, Ihr altes Gerät mindestens kostenfrei zurückzunehmen.

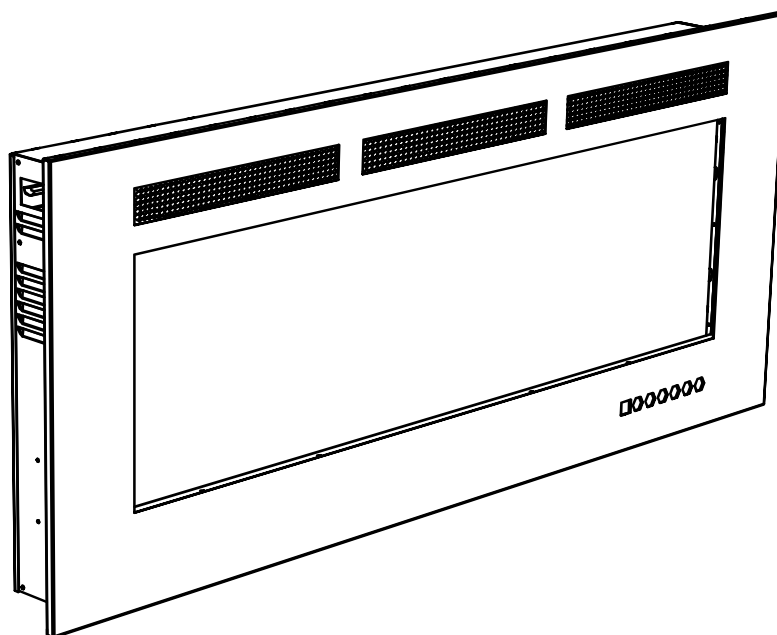


7200, Route Transcanadienne, Montréal, Québec H4T 1A3
24 Napoleon Road, Barrie, Ontario, Canada L4M 0G8
214 Bayview Drive, Barrie, Ontario, Canada L4N 4Y8
103 Miller Drive, Crittenden, Kentucky, USA 41030
De Riemsdijk 22, 4004 LC Tiel, Niederlande
napoleon.com



INSTALLATIE- EN BEDIENINGSHANDLEIDING

Allure™-serie
(Illustratie van NEFL50FH-EU)



VEILIGHEIDSINFORMATIE

WAARSCHUWING

BRAND- OF EXPLOSIEGEVAAR

Nalaten de informatie in deze instructies nauwlettend te volgen, kan brand of een explosie met materiële schade, persoonlijk letsel of overlijden tot gevolg hebben.

- Gebruik of bewaar geen benzine of andere ontvlambare dampen en vloeistoffen in de buurt van dit of enig ander apparaat.

INSTALLATEUR:

Laat deze handleiding bij het apparaat achter

EIGENAAR:

Bewaar deze handleiding voor toekomstig gebruik

opmerking:

De afstandsbediening van dit apparaat werkt op twee AAA-batterijen. Deze zijn niet inbegrepen.

ALLEN VOOR GEBRUIK BINNENSHUIS



Wolf Steel Europe BV
De Riemsdijk 22, 4004 LC Tiel, Nederland

WAARSCHUWING

- **Als het apparaat is uitgerust met een verwarming kan het apparaat tijdens gebruik heet worden en bij aanraking ernstige brandwonden veroorzaken.**
- Gebruik het apparaat niet voordat u de bedieningsinstructies hebt gelezen en begrepen. Als het apparaat niet volgens de bedieningsinstructies wordt gebruikt, kan dit tot brand of letsel leiden.
- Installeer geen beschadigde, onvolledige of vervangende onderdelen.
- Brand geen hout of andere materialen in dit apparaat.
- Alle elektrische apparaten bevatten hete onderdelen en kunnen vonkoverslag of vonken veroorzaken. Gebruik het apparaat niet in omgevingen waar een gasleiding, verf of ontvlambare vloeistoffen aanwezig zijn.
- Alle veiligheidsrekken of haardschermen die voor onderhoud zijn verwijderd, moeten worden teruggeplaatst voordat u het apparaat gebruikt.
- Het is van groot belang dat de bedieningscompartimenten, de circulatieblower en de doorgang in het apparaat schoon worden gehouden. Het apparaat moet vóór gebruik en ten minste eenmaal per jaar worden geïnspecteerd door een erkende servicemonteur. U moet het apparaat mogelijk vaker reinigen als gevolg van overmatige pluis van vloerbedekking, beddengoed, etc. De ruimte rond het apparaat mag geen brandbare materialen, benzine of andere ontvlambare dampen en vloeistoffen bevatten.
- Dit apparaat mag in geen geval worden gemodificeerd.
- Gebruik dit apparaat niet als een deel ervan onder water is geweest. Neem onmiddellijk contact op met een erkende servicemonteur om het apparaat te laten inspecteren en om de onderdelen van het regelsysteem te vervangen die onder water zijn geweest.
- Gebruik het apparaat niet als het glasfront verwijderd, gebarsten of gebroken is. Het glas moet worden vervangen door een gediplomeerde of erkende servicemonteur.
- Gooi of sla het glasfront deur van het apparaat niet dicht.
- Houd het verpakkingsmateriaal buiten het bereik van kinderen en voer het materiaal op een veilige manier af. Net als een plastic zak is verpakkingsmateriaal geen speelgoed, en moet uit de buurt van kinderen en baby's worden gehouden.
- Onderhoud mag alleen worden uitgevoerd als het apparaat is losgekoppeld van het elektriciteitsnet.
- Haal altijd de stekker uit het stopcontact wanneer u het apparaat niet gebruikt.
- Gebruik dit apparaat niet als het snoer of de stekker beschadigd is nadat het apparaat defect geraakt is of gevallen of beschadigd is. Breng het apparaat naar een erkende onderhoudsdienst voor controle, elektrische of mechanische afstelling of reparatie.
- Niet buitenshuis gebruiken.
- Plaats dit apparaat nooit ergens waar het in een badkuip of ander waterbassin kan vallen.
- Leg het snoer niet onder vloerbedekking. Bedek het snoer niet met vloerkleden, lopers of vergelijkbare attributen. Houd het snoer uit looppaden om ervoor te zorgen dat niemand erover struikelt.
- Alleen aansluiten op een goed geaard stopcontact.
- Zorg dat er geen voorwerpen in de ventilatie- of uitlaatopeningen komen, omdat dit elektrische schok of brand kan veroorzaken of het apparaat kan beschadigen.

WAARSCHUWING

- Om een eventuele brand te voorkomen, mag u de luchtinlaat of uitlaat op geen enkele wijze blokkeren. Gebruik het apparaat niet op zachte oppervlakken, zoals een vloerkleed, waar openingen geblokkeerd kunnen raken.
- Sluit apparaten altijd rechtstreeks aan op een wandcontactdoos/stopcontact. Gebruik nooit een verlengsnoer of een verplaatsbare stekkerdoos (verdeeldoos).
- Deze elektrische apparaten zijn alleen getest en bedoeld voor gebruik met de optionele accessoires die in deze instructies worden vermeld. Door optionele accessoires te gebruiken die niet specifiek voor dit apparaat zijn getest, kan de garantie vervallen en/of veiligheidsgevaar ontstaan.

Voor apparaten die zijn uitgerust met een verwarming:

- Gevaar voor brandwonden. Schakel het apparaat uit en laat het afkoelen voordat u onderhoud uitvoert. U kunt de stroom uitschakelen door het apparaat uit te zetten en de stekker uit het stopcontact te halen.
- Houd toezicht op jonge kinderen die zich in dezelfde ruimte als het apparaat bevinden. Peuters, jonge kinderen en anderen lopen het risico zich per ongeluk te branden. Als er personen uit kwetsbare groepen in huis zijn, adviseren we een fysieke barrière te gebruiken. Om te beperken wie bij een apparaat of fornuis kan komen, plaatst u een verstelbaar veiligheidshek dat peuters, jonge kinderen en andere kwetsbare personen uit de kamer en uit de buurt van hete oppervlakken houdt.
- Leg geen kleding of ander brandbaar materiaal op of in de buurt van het apparaat.
- Vanwege de hoge temperatuur mag dit apparaat niet in looppaden en vlak bij meubels en gordijnen worden geplaatst.
- Tref voldoende veiligheidsmaatregelen om te voorkomen dat baby's/peuters de hete oppervlakken kunnen aanraken.
- Zelfs nadat het apparaat is uitgeschakeld, blijven het glas en/of het scherm nog geruime tijd heet.
- Neem contact op met uw plaatselijke leverancier van kachels en haarden voor veiligheidsrekken en haardschermen om kinderen te beschermen tegen hete oppervlakken. Deze schermen en rekken moeten aan de vloer worden bevestigd.
- Zorg dat u bij het bouwen van een mantel of planken boven het apparaat voldoende afstand houdt tot brandbare stoffen. Doordat de muur of de lucht boven het apparaat opwarmt, kunnen decoraties, tv's of andere elektronische componenten smelten, verkleuren of beschadigen.
- Het apparaat mag niet direct onder een stopcontact worden geplaatst.
- Dit apparaat mag worden gebruikt door kinderen vanaf 8 jaar en door personen met verminderde lichamelijke zintuiglijke, geestelijke capaciteiten of gebrek aan ervaring en kennis, mits onder toezicht of als ze uitleg hebben gekregen over veilig gebruik van het apparaat en de gevaren begrijpen. Kinderen mogen niet met het apparaat spelen. Reiniging en gebruikersonderhoud mogen niet door kinderen zonder toezicht worden uitgevoerd.

 **WAARSCHUWING:** Dit product kan u blootstellen aan chemicaliën zoals lood en loodverbindingen, die in de staat Californië bekend staan als kankerverwekkend, en aan chemicaliën zoals BBP en DEHP, die in de staat Californië bekend staan als stoffen die geboortefwijkingen of andere reproductieve schade veroorzaken. Ga voor meer informatie naar www.P65Warnings.ca.gov.

inhoudsopgave

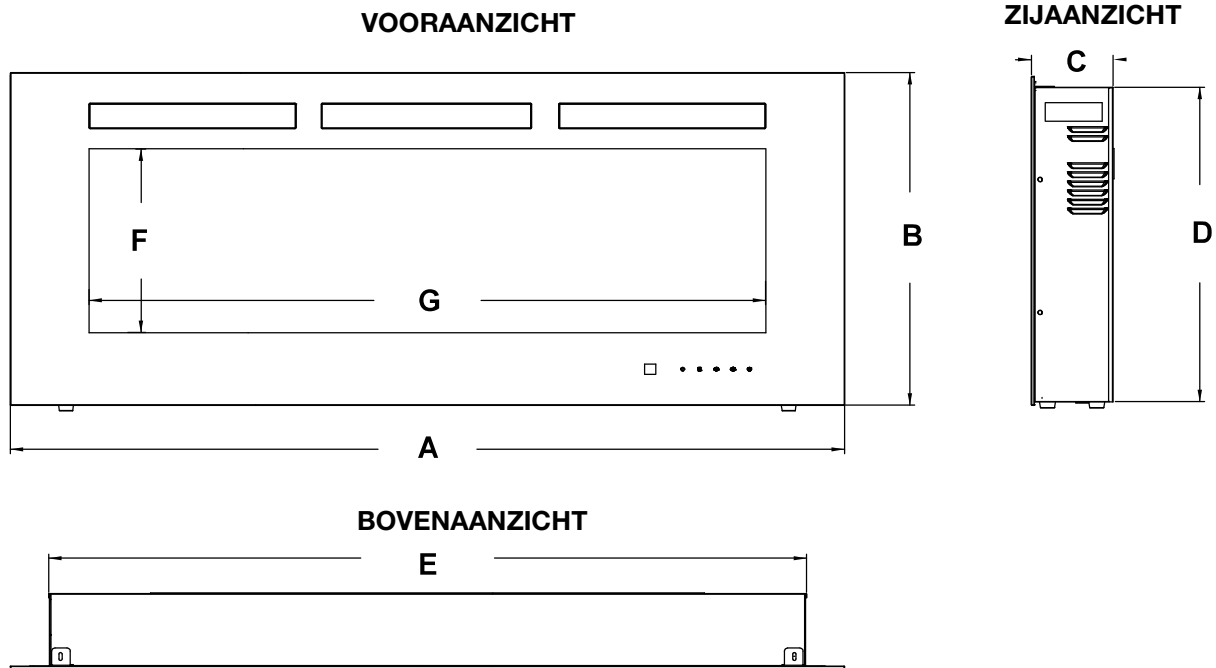
NL

1.0	algemene informatie	5
1.1	afmetingen	5
1.2	productinformatie	5
1.3	algemene instructies	6
1.4	het apparaat uitpakken en testen	6
1.5	lijst montagemateriaal	7
1.6	informatie typeplaatje	8
1.7	de locatie van het apparaat	8
2.0	installeren	9
2.1	minimale afstand tot brandbare stoffen	9
2.2	minimale afstand tot de mantel	9
2.3	inbouwen	10
2.4	het apparaat installeren	11
2.5	het apparaat in de muur inbouwen	12
2.6	het apparaat in een mantel installeren	13
2.7	installeren van de rubberen voetjes	14
2.8	Installeren via vaste bedrading	15
3.0	afwerking	16
3.1	installeren van het glazen voorpaneel	16
3.2	verwijderen van het glazen voorpaneel	17
3.3	plaatsen van de kristallen decoratie	17
4.0	bedieningsinstructies	18
4.1	aan/uit-knop	18
4.2	bediening via het aanraakscherm	18
4.3	bediening met de afstandsbediening	19
4.3.1	huidige dag en tijd instellen	20
4.3.2	AAN/UIT-tijd en -temperatuur op een wekelijkse cyclus instellen	20
4.3.3	waarschuwing voor open raam	20
5.0	onderhoud	21
5.1	batterij van de afstandsbediening plaatsen	21
6.0	bedradingsschema	22
7.0	vervangingsonderdelen	24
8.0	probleemoplossing	26
9.0	garantie	28
10.0	notities	29

opmerking:

Andere wijzigingen dan redactionele wijzigingen worden aangegeven met een verticale lijn in de kantlijn.

1.1 afmetingen



1.2 productinformatie

Dit apparaat is getest volgens de GS-normen voor vaste en locatiespecifieke elektrische binnenhuisapparatuur in Europa. Voor hulp bij het installeren neemt u contact op met uw plaatselijke dealer.

Afmetingen							
	A	B	C	D	E	F	G
NEFL32FH-EU	813 mm (32 inch)	550 mm (21 5/8 inch)	127 mm (5 inch)	520 mm (20 1/2 inch)	694 mm (27 5/16 inch)	304 mm (12 inch)	567 mm (22 5/16 inch)
NEFL42FH-EU	1067 mm (42 inch)				951 mm (37 1/2 inch)		821 mm (32 5/16 inch)
NEFL50FH-EU	1270 mm (50 inch)				1154 mm (45 7/16 inch)		1024 mm (40 5/16 inch)
NEFL60FH-EU	1524 mm (60 inch)				1405 mm (55 5/16 inch)		1278 mm (50 5/16 inch)
NEFL72FH-EU	1830 mm (72 inch)				1711 mm (67 3/8 inch)		1583 mm (62 5/8 inch)
NEFL100FH-EU	2540 mm (100 inch)				2422 mm (95 3/8 inch)		2300 mm (90 9/16 inch)

Modelnr.	Nettogewicht	Brutogewicht	Omschrijving	Elektrisch apparaat
NEFL32FH-EU	15,7 kg (34,6 lbs)	22,8 kg (50,3 lbs)	Type	Apparaat kan op 3 manieren worden gemonteerd: wandmontage, ingebouwd in de muur, ingebouwd in een mantel
NEFL42FH-EU	20,1 kg (44,3 lbs)	27,3 kg (60,2 lbs)	Spanning	220-240 V wisselspanning
NEFL50FH-EU	23,1 kg (50,9 lbs)	31,44 kg (70 lbs)	Vermogen	MAX. 1750-2000 W
NEFL60FH-EU	27,8 kg (61,3 lbs)	37,17 kg (82 lbs)		
NEFL72FH-EU	37,1 kg (81,8 lbs)	53,2 kg (117,3 lbs)		
NEFL100FH-EU	50,5 kg (111,3 lbs)	72,3 kg (159,4 lbs)		

1.3 algemene instructies

- Controleer voordat u het apparaat op een stopcontact aansluit of de stroomonderbrekers voor dat stopcontact zijn ingeschakeld.
- Het apparaat kan een lichte, onschadelijke geur afgeven wanneer het voor het eerst wordt gebruikt. Deze geur is normaal en eenmalig en wordt afgegeven door interne elementen die voor het eerst worden verwarmd.
- Als het apparaat geen warmte afgeeft als dat wel zou moeten, raadpleegt u het hoofdstuk 'bedieningsinstructies' in deze handleiding voor meer informatie.
- Gebruik met een CE- of GS-gecertificeerde overspanningsbeveiliging.
- Leg het netsnoer niet direct onder het apparaat.

Dit elektrische apparaat voldoet aan de constructie- en veiligheidsnormen van H.U.D. voor toepassing in prefab-woningen indien geïnstalleerd volgens deze instructies.

Net als bij de meeste elektronische apparaten is uw nieuwe apparaat ontworpen voor gebruik bij een temperatuur tussen de 5 °C (41 °F) en 35 °C (95 °F). Laat het apparaat tijdens de koudere wintermaanden eerst op kamertemperatuur komen voordat u het inschakelt.

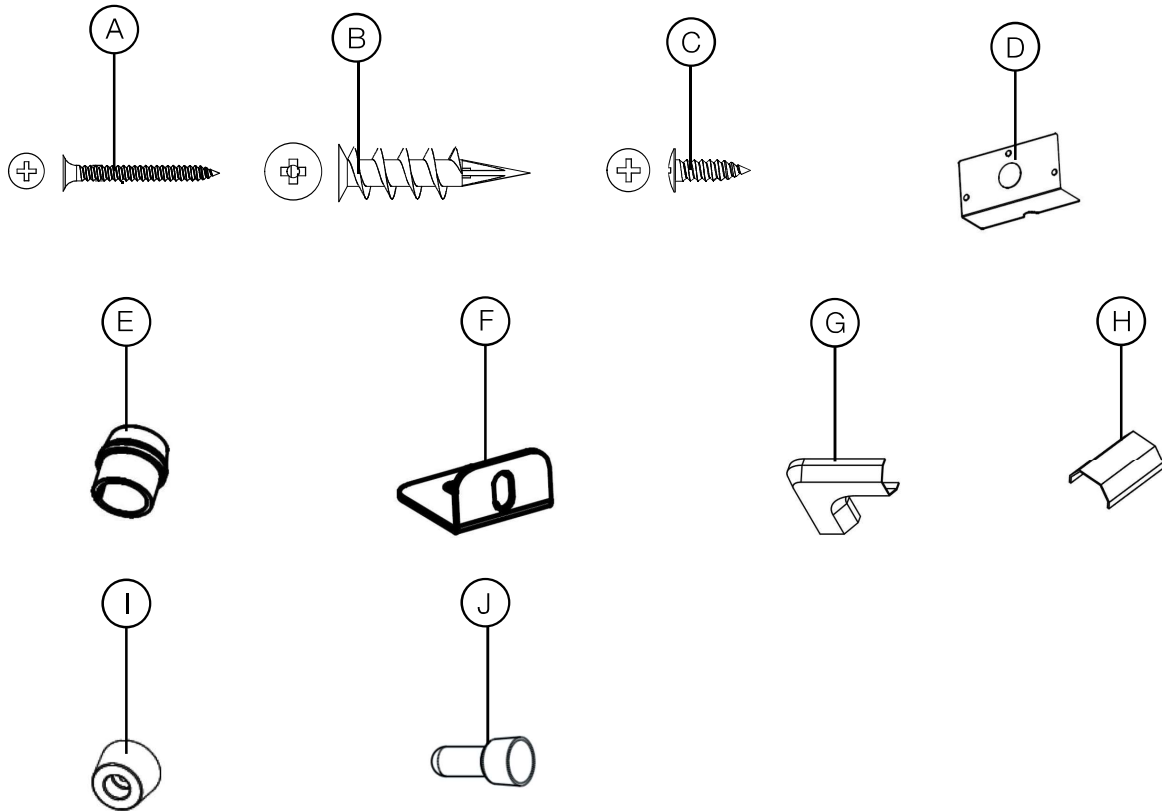
1.4 het apparaat uitpakken en testen

Haal het apparaat voorzichtig uit de doos. Test voordat u het apparaat installeert of het goed werkt door het netsnoer aan te sluiten op een gunstig geplaatst, geaard stopcontact van 220-240 V en minimaal 10 A.

opmerking:

Het glazen voorpaneel van NEFL72/100FH-EU-apparaten is bij levering nog niet op het apparaat bevestigd (zie het hoofdstuk 'installeren van het glazen voorpaneel' voor installatie-instructies).

1.5 lijst montage materiaal



Ref.	Omschrijving	Aantal					
		NEFL32FH-EU	NEFL42FH-EU	NEFL50FH-EU	NEFL60FH-EU	NEFL72FH-EU	NEFL100FH-EU
A	Houtschroeven		6		12		16
B	Gipsplaatankers		6		12		16
C	Metaalschroeven			8			
D	Afdekplaat				1		
E	Trekontlasting				1		
F	Metalen steun				4		
G	Kabelhoek				4		
H	Kabel afdekking	4			2		
I	Rubberen voetje		4			6	
J	Kabelconnector				3		

algemene informatie

NL

1.6 informatie typeplaatje

ELECTRIC FIREPLACE, SUITABLE FOR BEDROOM AND BED-SITTING ROOM INSTALLATION. SUITABLE FOR MOBILE HOME INSTALLATION.

VOLTAGE: 220-240 VAC
FREQUENCY: 50Hz
POWER: 1750-2000W
DATE CODE: XXXXX

MODELS

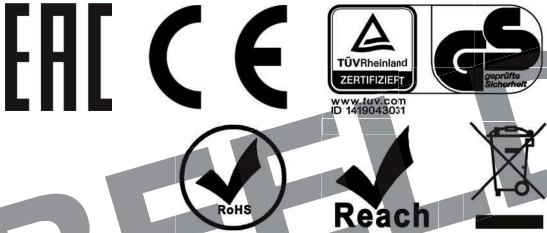
<input type="checkbox"/> NEFL32FH-EU	<input type="checkbox"/> NEFL60FH-EU	<input type="checkbox"/> NEFL32FH-MT-EU	<input type="checkbox"/> NEFL60FH-MT-EU
<input type="checkbox"/> NEFL42FH-EU	<input type="checkbox"/> NEFL72FH-EU	<input type="checkbox"/> NEFL42FH-MT-EU	<input type="checkbox"/> NEFL72FH-MT-EU
<input type="checkbox"/> NEFL50FH-EU	<input type="checkbox"/> NEFL100FH-EU	<input type="checkbox"/> NEFL50FH-MT-EU	<input type="checkbox"/> NEFL100FH-MT-EU

Manufacturer: Wolf Steel Ltd.
24 Napoleon Road,
Barrie, ON, L4M 0G8 Canada

Importer: Wolf Steel Europe BV
De Riemsdijk 22, 4004 LC Tiel,
The Netherlands

DESIGNED IN NORTH AMERICA
BY WOLF STEEL LTD.
MADE IN CHINA

SERIAL NUMBER: NEFLXX## W385-2178 / C



Deze afbeelding dient uitsluitend ter illustratie. Raadpleeg het typeplaatje op het apparaat voor de juiste informatie.

opmerking:

Het typeplaatje moet altijd bij het apparaat blijven. Het mag niet worden verwijderd.

1.7 de locatie van het apparaat

! WAARSCHUWING

- Vanwege de hoge temperatuur mag dit elektrische apparaat niet in looppaden worden geplaatst. Houd brandbare materialen zoals meubels, kussens, beddengoed, papier, kleding, gordijnen en soortgelijke voorwerpen minstens 91 cm (36 inch) van de voorzijde van het apparaat verwijderd.
- Plaats dit elektrische apparaat nooit ergens waar het in een badkuip of ander waterbassin kan vallen.
- Draag tijdens installatie en onderhoud veiligheidshandschoenen en een veiligheidsbril.
- Om aanraking met doorgezakte of losse isolatie te voorkomen, mag het apparaat niet worden geïnstalleerd tegen een vochtscherm of blootliggende isolatie. Hierdoor kan lokale oververhitting en brand optreden.
- Stel het apparaat niet bloot aan het weer (regen, sneeuw, etc.)

! WAARSCHUWING

- Brandgevaar! Het netsnoer mag niet tegen een scherpe rand geklemd zitten. Zet het snoer vast om struikelen of vasthaken te voorkomen en de kans op brandgevaar, een elektrische schok of persoonlijk letsel te beperken. Leg het snoer niet onder vloerbedekking. Bedek het snoer niet met vloerkleden, lopers of vergelijkbare attributen. Houd het snoer uit looppaden om ervoor te zorgen dat niemand erover struikelt.
- Brandgevaar! Om een eventuele brand te voorkomen, mag u de luchtinlaat of uitlaat op geen enkele wijze blokkeren. Gebruik het apparaat niet op zachte oppervlakken waar openingen kunnen worden geblokkeerd.
- Brandgevaar! Blaas of plaats geen isolatie tegen het apparaat.
- Dit elektrische apparaat is alleen getest en bedoeld voor gebruik met de goedgekeurde optionele accessoires. Door optionele accessoires te gebruiken die niet specifiek voor dit elektrische apparaat zijn getest, kan de garantie vervallen en/of veiligheidsgevaar ontstaan.
- Nalaten de informatie in deze instructies nauwlettend te gebruiken, kan brand of een explosie met materiële schade, persoonlijk letsel of overlijden tot gevolg hebben. Bewaar of gebruik geen benzine of andere ontvlambare dampen in de buurt van dit of enig ander apparaat.
- Dit apparaat is zwaar. Het wordt sterk aanbevolen om dit apparaat met twee personen te installeren.
- Voor apparaten die zijn uitgerust met een verwarming, moet worden gezorgd dat de ventilatieopeningen op geen enkele wijze kunnen worden afgedekt, om brandgevaar te vermijden.
- Leg het netsnoer niet horizontaal, direct onder het apparaat.

Uw apparaat kan aan de muur, ingebouwd in de muur en/of in een mantel worden geïnstalleerd. Kies een geschikte, niet-vochtgevoelige locatie uit de buurt van gordijnen, meubels en looppaden.

opmerking:

Houd u aan alle nationale en plaatselijke elektrische voorschriften.

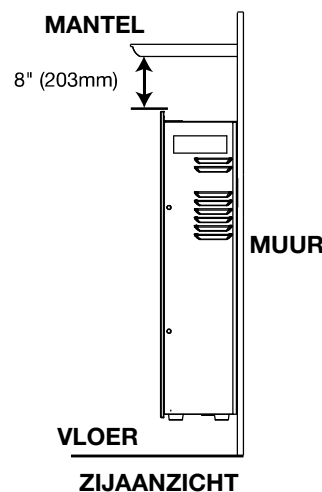
2.1 minimale afstand tot brandbare stoffen

Afmetingen vanaf het glazen voorpaneel:	
Onderzijde	0 cm
Zijkanten	
Achterzijde	
Bovenzijde	20,3 cm (8 inch) vanaf plafond/mantel

2.2 minimale afstand tot de mantel

! WAARSCHUWING

- Als u verf of lak gebruikt om de mantel af te werken, moet deze hittebestendig zijn om verkleuring te voorkomen.



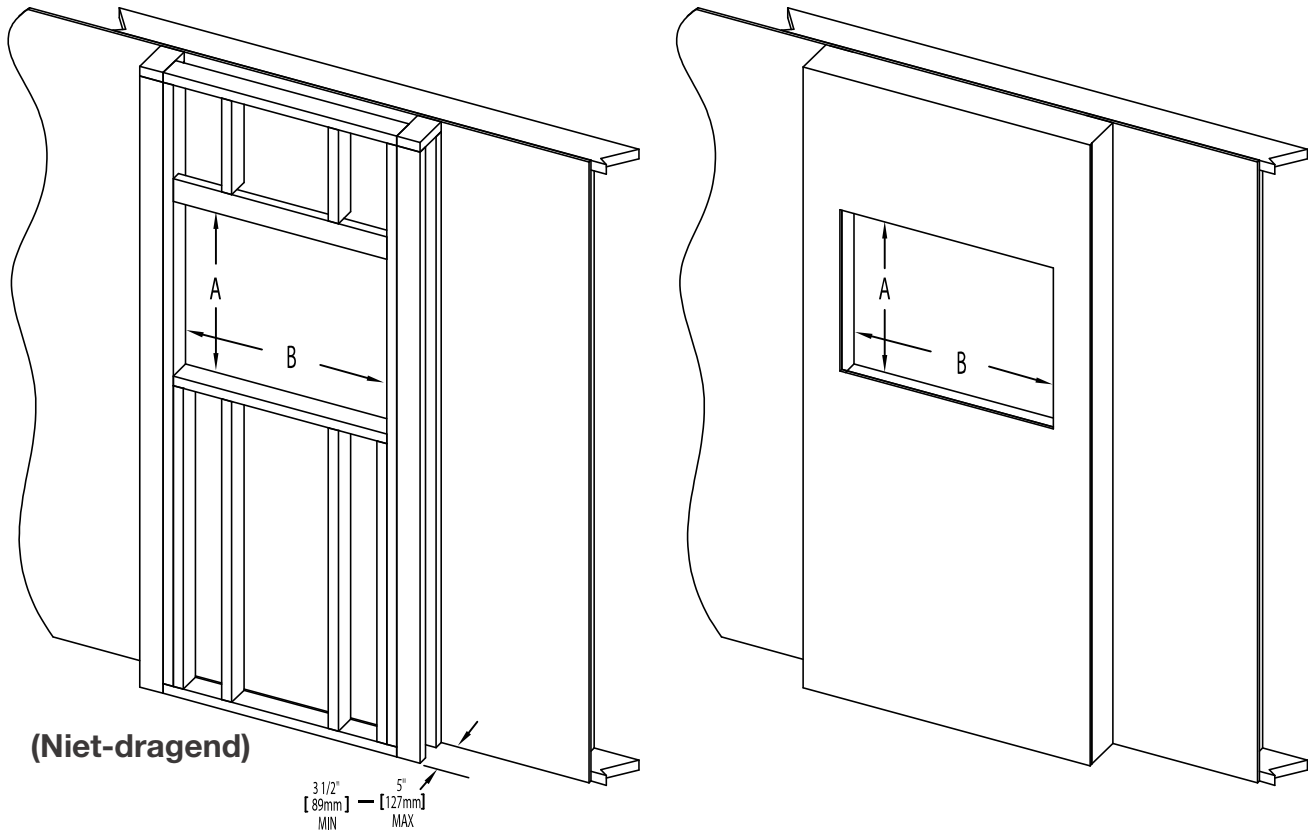
installeren

NL

2.3 inbouwen

Afmetingen vanaf de behuizing:	
Zijkanten, achterzijde en bovenzijde	0 cm

Afwerk materiaal

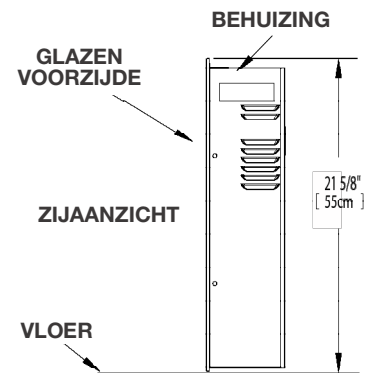


MODELNR.	A	B
NEFL32FH-EU	53,5 cm (21 inch)	70,7 cm (27 13/16 inch)
NEFL42FH-EU		96,5 cm (38 inch)
NEFL50FH-EU		116,6 cm (45 15/16 inch)
NEFL60FH-EU		141,8 cm (55 13/16 inch)
NEFL72FH-EU		172,5 cm (67 7/8 inch)
NEFL100FH-EU		243,5 cm (95 7/8 inch)

2.4 het apparaat installeren

Vanwege de verschillende materialen die op muren worden gebruikt, raden wij u met klem aan uw plaatselijke bouwbedrijf te raadplegen voordat u dit apparaat aan de muur installeert.

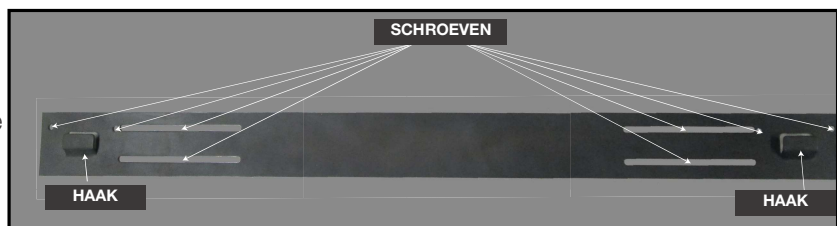
- Kies een niet-vochtgevoelige locatie op een afstand van 91 cm (36 inch) van brandbare materialen, zoals gordijnen, meubels, beddengoed, papier, etc.
- Houd het apparaat met zijn tweeën tegen de muur om de definitieve locatie te bepalen.
- Plaats het apparaat met de voorzijde omlaag op een zacht, niet-schurend oppervlak. Verwijder de steun aan de achterzijde van het apparaat door de schroeven te verwijderen (**afb. 1 en 2**).
- Markeer de locatie en bevestig de steun(en) met de meegeleverde schroeven aan de muur. De haken op deze steun **MOETEN** naar boven gericht en waterpas zijn.



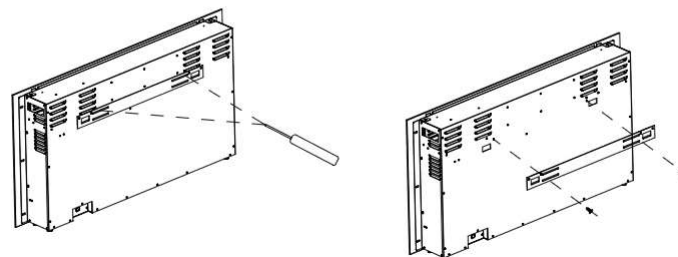
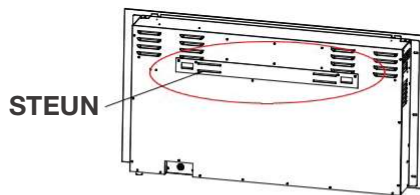
opmerking:

We raden u met klem aan om de montagesteun zo mogelijk in de muurbalken te schroeven. Als de muurbalken niet kunnen worden gebruikt, moet u ervoor zorgen dat de meegeleverde kunststof muurpluggen worden gebruikt om de steun aan de muur te bevestigen en dat de steun goed vast zit.

- Nadat de montagesteun is geïnstalleerd, tilt u het apparaat met zijn tweeën op en plaatst u de twee haken op de steun in de twee sleuven aan de achterzijde van het apparaat.
- Controleer of het apparaat stabiel is en of de steun niet van de muur loskomt.

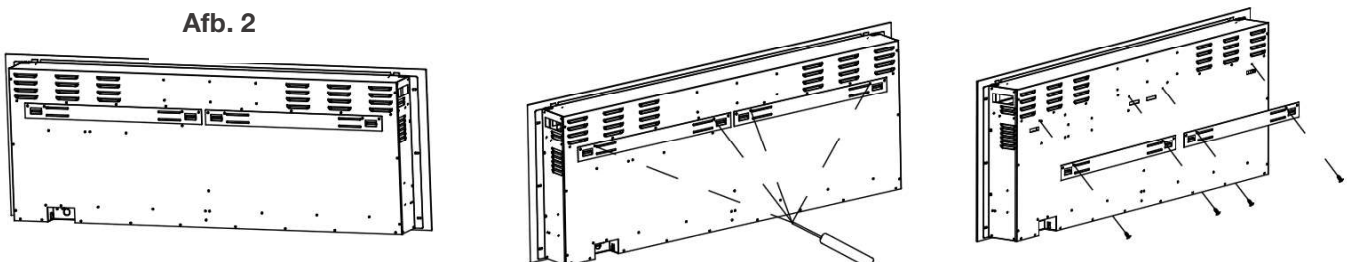


Afb. 1



Illustratie van de NEFL32/42/50FH-EU-steun

Afb. 2



Illustratie van de NEFL60/72/100FH-EU-steun

installeren

NL

2.5 het apparaat in de muur inbouwen

Vanwege de verschillende materialen die op muren worden gebruikt, raden wij u met klem aan uw plaatselijke bouwbedrijf te raadplegen voordat u dit apparaat aan de muur installeert.

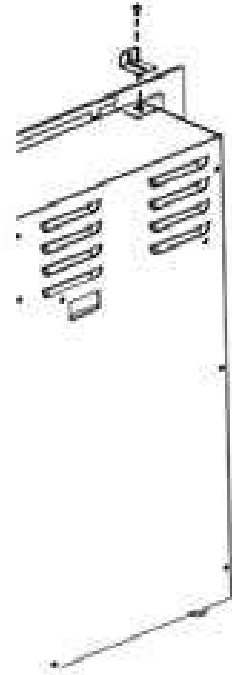
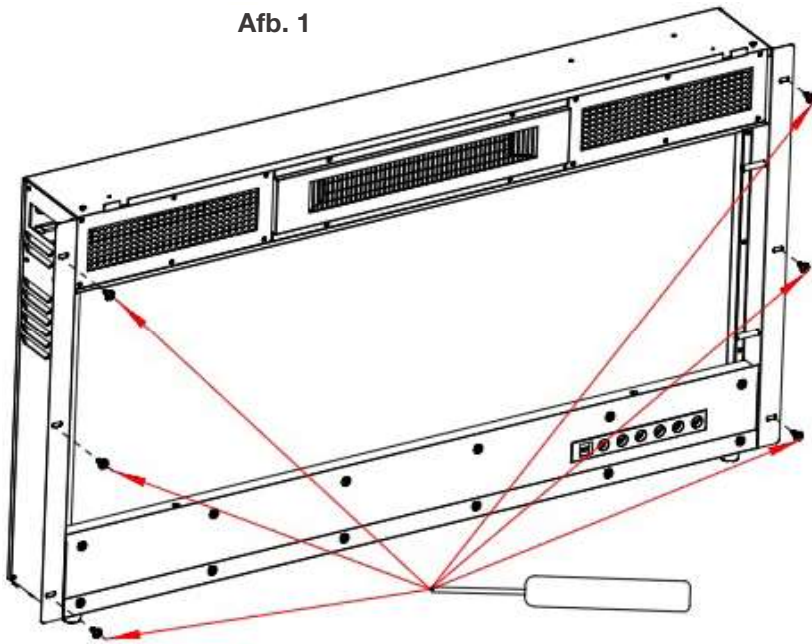
Kies een niet-vochtgevoelige locatie op een afstand van 91 cm (36 inch) van brandbare materialen, zoals gordijnen, meubels, beddengoed, papier, etc.

- A. Meet het apparaat op en leg de elektriciteit aan.
- B. Verwijder het glazen voorpaneel (zie het hoofdstuk 'verwijderen/installeren van het glazen voorpaneel').
- C. Houd het apparaat omhoog om er zeker van te zijn dat het in de inbouw sparing past.
- D. Als het apparaat volledig in de muur wordt ingebouwd:
 - Buig de twee bovenlipjes aan het glazen voorpaneel omhoog (**afb. 3, volgende pagina**).
 - Gebruik de zes schroeven (meegeleverd) om het apparaat met de twee bestaande flenzen aan de muur te vergrendelen (**afb. 1**).
 - Installeer de media en plaats het glazen voorpaneel terug.
- E. Als het apparaat gedeeltelijk in de muur wordt ingebouwd:
 - Gebruik de twee montagesteunen (meegeleverd) om het apparaat aan de muur te vergrendelen (**afb. 2**).

opmerking:

Er zijn twee paar gaten aangebracht om het apparaat in de muur in te bouwen. Hoe diep het apparaat in de muur kan worden ingebouwd, kan afhangen van de muurconstructie. Gebruik de betreffende gaten om het apparaat tot het frame in te bouwen. Het kan nodig zijn om de vier gaten aan de boven- en onderzijde te gebruiken.

Afb. 1



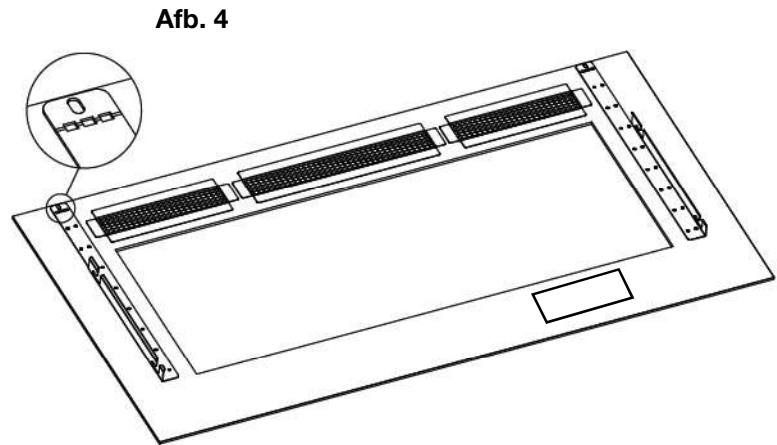
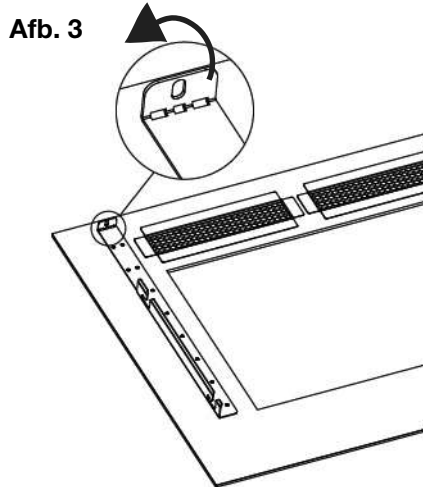
Afb. 2

opmerking:

We raden u aan de wanden van de apparaatopening (met gipsplaat) te bedekken om te voorkomen dat blootliggende isolatie of het vochtscherm in aanraking komt met het apparaat. Zo weet u zeker dat er voldoende afstand is tot brandbare stoffen.

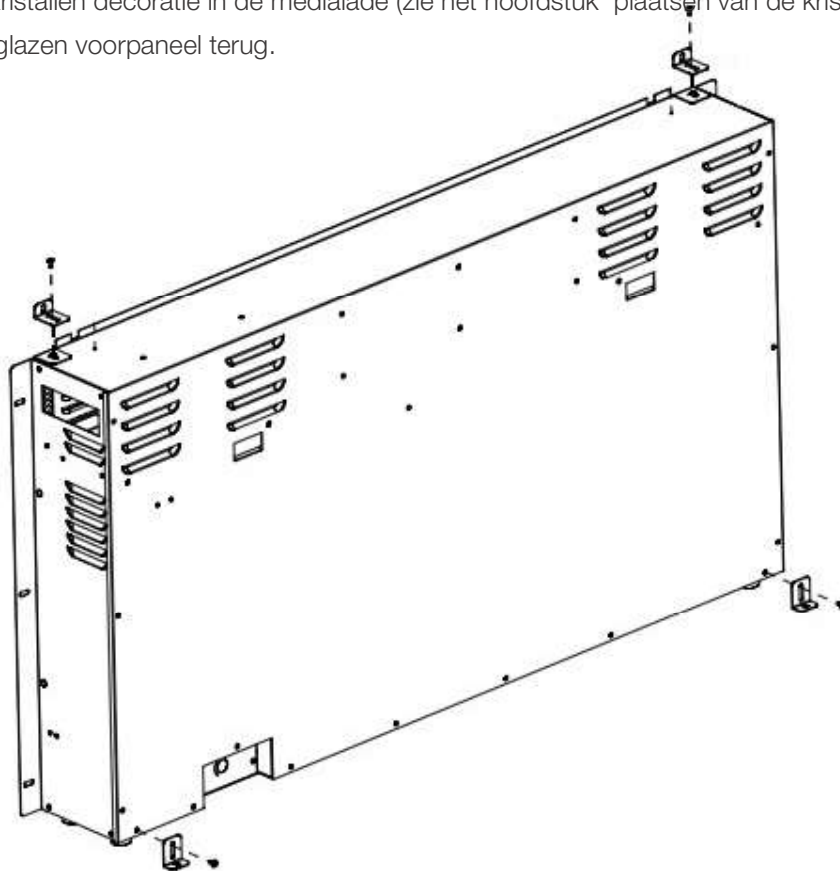
opmerking:

Het apparaat wordt geleverd met gebogen lipjes. Als u het apparaat volledig in de muur inbouwt, moeten de lipjes met de hand plat worden gedrukt (**afb. 4**).



2.6 het apparaat in een mantel installeren

- A. Verwijder het glazen voorpaneel (zie het hoofdstuk 'installeren van het glazen voorpaneel').
- B. Plaats de rubberen voetjes aan de onderzijde van het apparaat voor stabiliteit (zie het hoofdstuk 'installeren van de rubberen voetjes').
- C. Installeer de meegeleverde boven- en ondersteunen.
- D. Plaats het apparaat in de mantel en zet het vast met de steunen (zie de installatiehandleiding van de mantel voor installatie-instructies).
- E. Plaats de kristallen decoratie in de medialade (zie het hoofdstuk 'plaatsen van de kristallen decoratie').
- F. Plaats het glazen voorpaneel terug.



installeren

NL

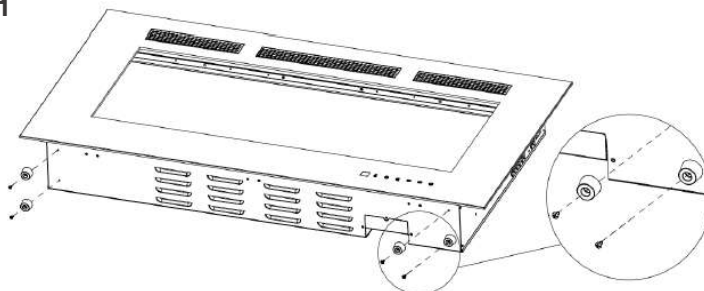
2.7 installeren van de rubberen voetjes

- A. Plaats het apparaat met de voorkant omlaag op een zacht oppervlak.
- B. Verwijder de schroeven aan de onderzijde van het apparaat met een schroevendraaier.
- C. Plaats de vier rubberen voetjes (zes rubberen voetjes voor NEFL60/72/100FH) aan de onderzijde van het apparaat met behulp van de schroeven uit stap B (**afb. 1 en 2**).

opmerking:

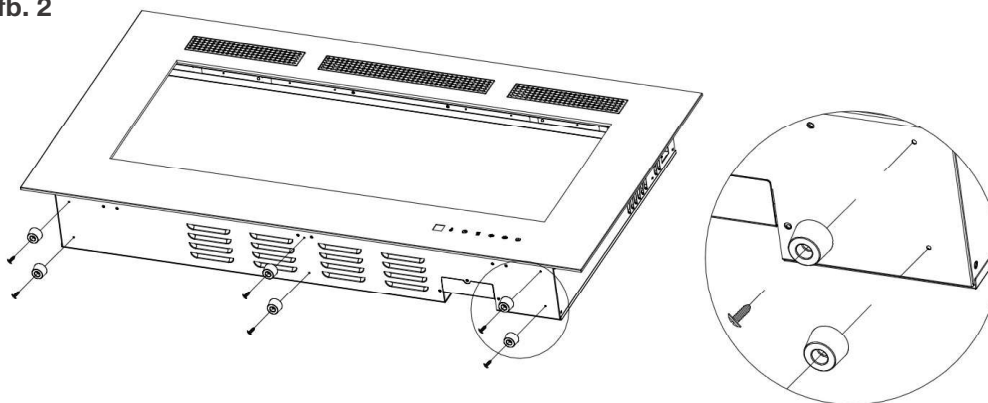
De schroeven voor het installeren van de rubberen voetjes zijn aan het apparaat bevestigd. U moet deze schroeven eerst verwijderen voordat u de rubberen voetjes kunt installeren.

Afb. 1



Illustratie van NEFL32/42/50FH-EU

Afb. 2



Illustratie van NEFL60/72/100FH-EU

2.8 installeren via vaste bedrading

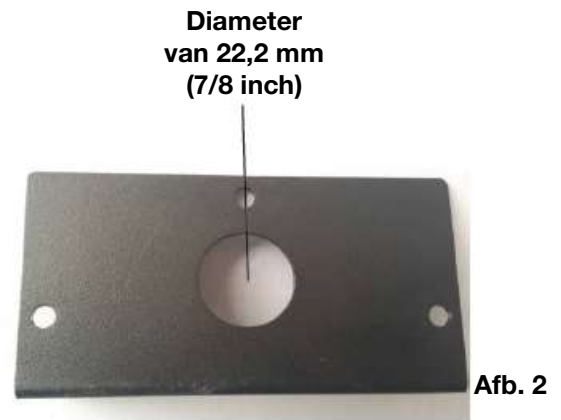
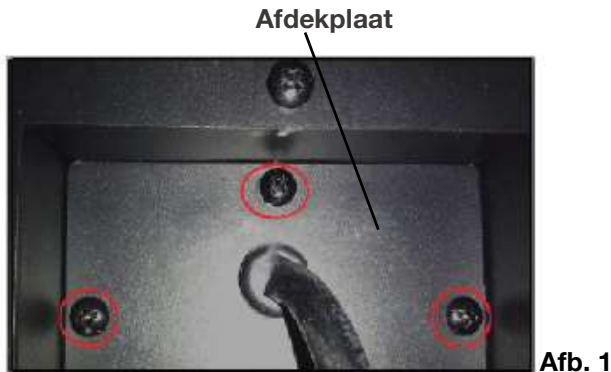
! WAARSCHUWING

- Schakel het apparaat volledig uit en laat het afkoelen voordat u onderhoud uitvoert. Dit elektrische apparaat mag alleen worden onderhouden en gerepareerd door een erkende onderhoudsmonteur.

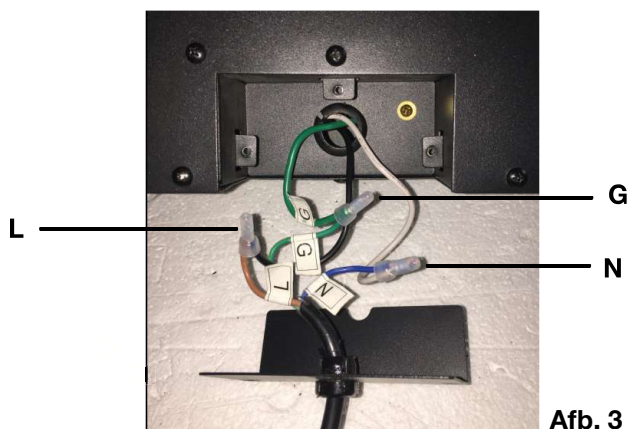
Aansluiten van de vaste bedrading

Als dit apparaat op vaste bedrading moet worden aangesloten, moet een erkende elektricien het snoer verwijderen en het apparaat rechtstreeks op het elektriciteitsnet aansluiten.

Dit apparaat moet in overeenstemming met de plaatselijke elektrische voorschriften worden aangesloten en geaard.



- Verwijder de afdekplaat rechtsonder op het apparaat door de drie schroeven te verwijderen (**afb. 1**).
- Verwijder de kabelconnectors van het netsnoer. Het netsnoer mag worden weggegooid.
- Neem de nieuwe afdekplaat uit de montagekit (**afb. 2**). Tik het gat van 22,2 mm (7/8 inch) uit de nieuwe afdekplaat en installeer een connector door de aansluitdoos. Klik de klem van de connector aan de voedingsdraden.
- Gebruik de draadconnectors in de montagekit om de groene aarddraden (G), de witte nuldraden (N) en de zwarte fase draden (L) aan te sluiten (**afb. 3 en 4**).
- Plaats de afdekplaat weer terug met de drie schroeven.



3.0 afwerking

NL

! WAARSCHUWING

- Om herbouw te vermijden, moet de elektrische voeding volledig zijn aangelegd voordat de afwerking wordt voltooid.
- Ventilatieroosters en luchtopeningen mogen onder geen beding worden afgedekt.

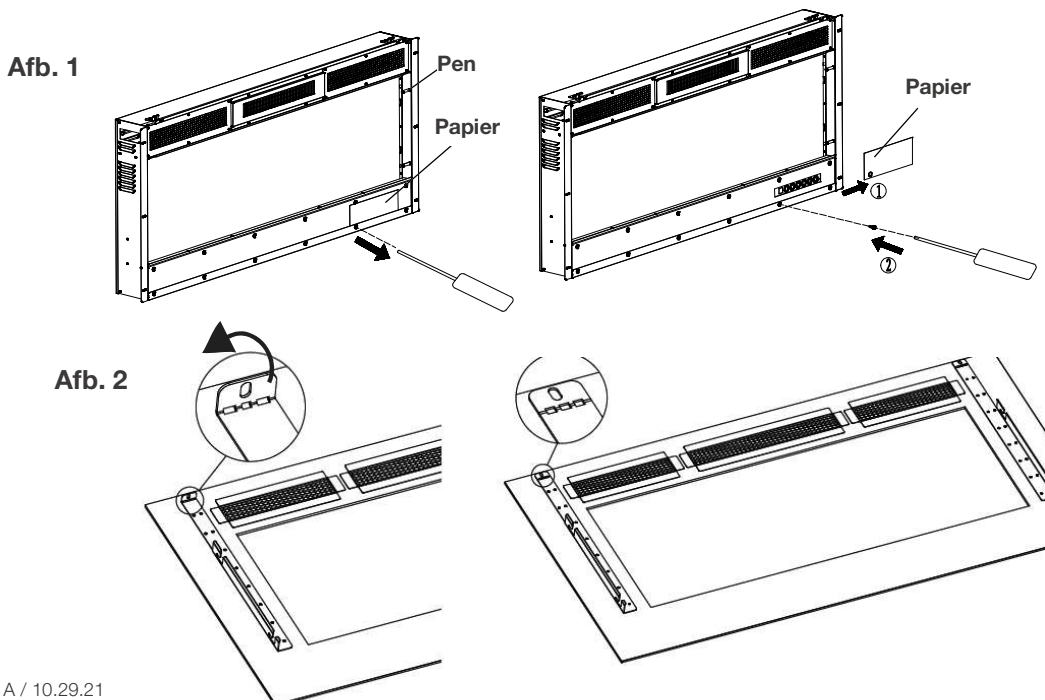
3.1 installeren van het glazen voorpaneel

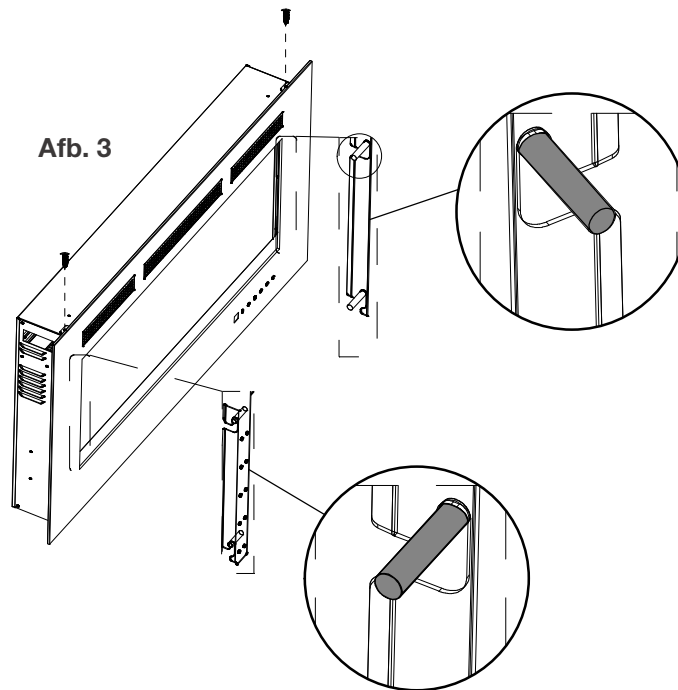
! WAARSCHUWING

- Glas kan heet zijn. Raak het glas niet aan tot het is afgekoeld.
- Als het veiligheidssysteem van het apparaat is uitgerust met deursloten, moeten deze goed vergrendeld zijn. Gebruik het apparaat niet als de vergrendelingen open zijn.
- Bekledings- en afbouwmaterialen mogen de luchtstroming door lucht- en ventilatieopeningen en de bediening van ventilatieopeningen of deuren/onderhoudsopeningen niet belemmeren. Houd u aan alle minimale afstanden bij het aanbrengen van brandbare materialen.
- Schakel het apparaat uit en wacht tot het apparaat koel aanvoelt voordat u de deur verwijdert. Deuren zijn zwaar en breekbaar, dus ga voorzichtig te werk.

ALLEEN VOOR MODELLEN NEFL72/100FH-EU:

- Voordat u het glazen voorpaneel installeert, verwijdert u eerst de schroeven waarmee het karton aan de binnenkant van het apparaat is bevestigd. Dit karton beschermt het bedieningspaneel. Gooi het karton weg.
- Plaats de schroeven terug (alleen voor inbouwapparatuur) (**afb. 1**).
- Verwijder de twee schroeven van de bovenzijde van het apparaat.
- Til het glas met zijn tweeën omhoog en van het apparaat af en houd het glas verticaal (niet plat). Plaats het glas met de voorkant omlaag op een zacht, niet-schurend oppervlak. Let goed op dat u het glas niet buigt.
- Buig de bovenlipjes plat omhoog (**afb. 2**).
- Plaats de kristallen decoratie (zie het hoofdstuk 'plaatsen van de kristallen decoratie').
- Plaats het glazen voorpaneel door het op één lijn te brengen met de pennen op het apparaat. Druk het glas in en omlaag stevig in de steunen. Het glas moet goed vastzitten zodat het aanraakscherm goed werkt.
- Zet het glazen voorpaneel vast met de schroeven aan de bovenkant van het apparaat (**afb. 3, volgende pagina**). Dit is niet nodig als het apparaat volledig ingebouwd is.

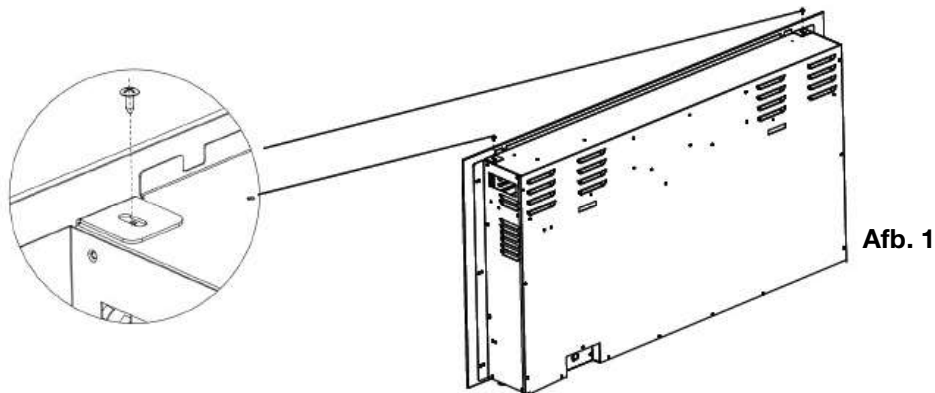




3.2 verwijderen van het glazen voorpaneel

ALLEEN VOOR WANDMONTAGE, GEDEELTELIJKE INBOUW EN INSTALLATIE IN EEN MANTEL:

- A. Verwijder de twee schroeven aan de bovenzijde van het apparaat (afb. 1).
- B. Til het glas met zijn tweeën omhoog en van het apparaat af en houd het glas verticaal (niet plat). Plaats het glas met de voorkant omlaag op een zacht, niet-schurend oppervlak. Let goed op dat u het glas niet buigt.
- C. Plaats de kristallen decoratie (zie het hoofdstuk 'plaatsen van de kristallen decoratie'). Plaats het glazen voorpaneel door het op één lijn te brengen met de pennen op het apparaat. Dit zorgt ervoor dat het aanraakscherm goed werkt.



3.3 plaatsen van de kristallen decoratie

De glazen voorzijde moet zijn verwijderd en het apparaat moet op de definitieve locatie zijn vastgezet voordat de kristallen decoratie worden geplaatst.

- A. Plaats de kristallen decoratie voorzichtig op de liggende kunststof plaat aan de voorzijde van het apparaat.
- B. Verdeel de decoratie gelijkmatig over de hele breedte.



4.0 bedieningsinstructies

NL

! WAARSCHUWING

- Verwijder het glas niet wanneer het apparaat aan staat. Hierdoor werken de afstandsbediening en het aanraakscherm niet meer.

Zodra het apparaat op een geaard stopcontact of vaste bedrading is aangesloten, is het klaar voor gebruik.

opmerking:

Zorg dat de stroomonderbrekers in de woning zijn ingeschakeld. Bij een stroomstoring verliest het apparaat de geheugenfunctie. Nadat de stroom weer is ingeschakeld, wordt het apparaat gereset naar de fabrieksmodus.

4.1 aan/uit-knop

De aan/uit-knop bevindt zich rechtsonder aan de voorzijde van het apparaat.









4.2 bediening via het aanraakscherm

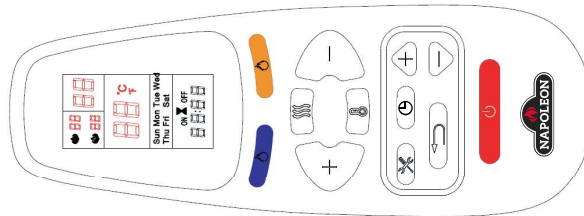
! WAARSCHUWING

- Verplaats of verwijder het glas niet wanneer het apparaat is aangesloten en aan staat. Hierdoor werken de afstandsbediening en het aanraakscherm niet meer.

Het aanraakscherm wordt weergegeven door een reeks leds rechtsonder aan de voorzijde van het apparaat. De leds gaan uit als er 10 seconden geen functie is gewijzigd. De aan/uit-knop brandt dan minder fel.

AAN/UIT		Hiermee schakelt u het apparaat AAN/UIT.																																				
VLAM - ORANJE		Hiermee regelt u de helderheid van de oranje vlam. 6 standen: F5-F4-F3-F2-F1-F0. De vlam dimt van F5 tot F1. F5 is de helderste stand en F0 is uit.																																				
VLAM - BLAUW		Hiermee regelt u helderheid van de blauwe vlam. 6 standen: F5-F4-F3-F2-F1-F0. De vlam dimt van F5 tot F1. F5 is de helderste stand en F0 is uit.																																				
VERWARMING		Hiermee schakelt u de verwarming AAN/UIT. (H0) - Geen verwarming of blower. (BL) - Alleen blower. (H1) - Verwarming blaast warme lucht (950 W). (H2) - Verwarming blaast hete lucht (2000 W). OPMERKING: De verwarmingsfuncties rouleren H0-BL-H1-H2. Houd de verwarmingsknop 5 seconden ingedrukt om de verwarming en temperatuur op de geselecteerde stand te vergrendelen. Houd de knop nogmaals 5 seconden ingedrukt om de verwarmings- en temperatuurinstelling te ontgrendelen.																																				
TIMER		Hiermee schakelt u het timer AAN/UIT. 9 standen: 0,5u, 1u, 2u, 3u, 4u, 5u, 6u, 7u, 8u. Druk op de knop tot de gewenste instelling is bereikt.																																				
TEMPERATUUR		1. Druk eenmaal op de knop om de indicator op het aanraakscherm AAN te zetten. 2. Druk op de knop tot de gewenste instelling is bereikt. De instellingen worden als volgt op het digitale display weergegeven: <table border="1" data-bbox="769 1724 1295 1829"> <thead> <tr> <th>Displaywaarde</th> <th>0</th> <th>1</th> <th>2</th> <th>3</th> <th>4</th> <th>5</th> <th>6</th> <th>7</th> <th>8</th> <th>9</th> <th>N</th> </tr> </thead> <tbody> <tr> <td>Temperatuur °C</td> <td>18</td> <td>19</td> <td>20</td> <td>21</td> <td>22</td> <td>23</td> <td>24</td> <td>25</td> <td>26</td> <td>27</td> <td>ON</td> </tr> <tr> <td>Temperatuur °F</td> <td>64</td> <td>66</td> <td>68</td> <td>70</td> <td>72</td> <td>74</td> <td>76</td> <td>78</td> <td>80</td> <td>82</td> <td>ON</td> </tr> </tbody> </table> OPMERKING: Door de knop 5 seconden ingedrukt te houden, schakelt u de temperatuur van °C naar °F en omgekeerd.	Displaywaarde	0	1	2	3	4	5	6	7	8	9	N	Temperatuur °C	18	19	20	21	22	23	24	25	26	27	ON	Temperatuur °F	64	66	68	70	72	74	76	78	80	82	ON
Displaywaarde	0	1	2	3	4	5	6	7	8	9	N																											
Temperatuur °C	18	19	20	21	22	23	24	25	26	27	ON																											
Temperatuur °F	64	66	68	70	72	74	76	78	80	82	ON																											

4.3 bediening met de afstandsbediening



AAN/UIT		Hiermee schakelt u het apparaat AAN/UIT..
VLAM - ORANJE		Hiermee regelt u de helderheid van de oranje vlam. 6 standen: F5-F4-F3-F2-F1-F0. De vlam dimt van F5 tot F1. F5 is de helderste stand en F0 is uit.
VLAM - BLAUW		Hiermee regelt u helderheid van de blauwe vlam. 6 standen: F5-F4-F3-F2-F1-F0. De vlam dimt van F5 tot F1. F5 is de helderste stand en F0 is uit.
VERWARMING		Hiermee schakelt u de verwarming AAN/UIT. (H0) - Geen verwarming of blower. (BL) - Alleen blower. (H1) - Verwarming blaast warme lucht (H2) - Verwarming blaast hete lucht OPMERKING: De verwarmingsfuncties rouleren H0-BL-H1-H2. Houd de verwarmingsknop 5 seconden ingedrukt om de verwarming en temperatuur op de geselecteerde stand te vergrendelen. Houd de knop nogmaals 5 seconden ingedrukt om de verwarmings- en temperatuurinstelling te ontgrendelen.

TIMERINSTELLINGEN OP DE AFSTANDSBEDIENING

: Timer: Geeft de huidige dag, tijd en week weer. Druk op de knop om de timerinstellingen in te voeren of te bevestigen.	
: Instellingen: Druk hierop om naar de volgende stap te gaan (gebruik met de timerknop). Druk hierop om de weektimer te bevestigen.	
: Terug: Druk hierop om de timerinstellingen te wissen. Druk hierop om terug te keren naar de vorige stap (gebruik met de instellingenknop).	
: Omhoog en omlaag (gebruik met de instellingenknop).	

Lcd-scherm

Dag van de week ma, di, wo, do, vr, za, zo		Opmerking: De functies kunnen alleen worden gewijzigd als de bijbehorende letters of cijfers knipperen.
Tijdweergave		
Huidige tijd/timer Van 00: 00 tot 24 OPMERKING: 00-12:00 is AM / 13:00-24:00 is PM		

TEMPERATUUR		<p>1. Druk eenmaal op de knop om de indicator op het aanraakscherm AAN te zetten.</p> <p>2. Druk op de knop tot de gewenste instelling is bereikt. De instellingen worden als volgt op het digitale display weergegeven:</p> <table border="1"> <thead> <tr> <th>Displaywaarde</th> <th>0</th> <th>1</th> <th>2</th> <th>3</th> <th>4</th> <th>5</th> <th>6</th> <th>7</th> <th>8</th> <th>9</th> <th>N</th> </tr> </thead> <tbody> <tr> <td rowspan="2">Temperatuur</td> <td>°C</td> <td>18</td> <td>19</td> <td>20</td> <td>21</td> <td>22</td> <td>23</td> <td>24</td> <td>25</td> <td>26</td> <td>27</td> <td>ON</td> </tr> <tr> <td>°F</td> <td>64</td> <td>66</td> <td>68</td> <td>70</td> <td>72</td> <td>74</td> <td>76</td> <td>78</td> <td>80</td> <td>82</td> <td>ON</td> </tr> </tbody> </table> <p>OPMERKING: Door de knop 5 seconden ingedrukt te houden, schakelt u de temperatuur van °C naar °F en omgekeerd.</p>	Displaywaarde	0	1	2	3	4	5	6	7	8	9	N	Temperatuur	°C	18	19	20	21	22	23	24	25	26	27	ON	°F	64	66	68	70	72	74	76	78	80	82	ON
Displaywaarde	0	1	2	3	4	5	6	7	8	9	N																												
Temperatuur	°C	18	19	20	21	22	23	24	25	26	27	ON																											
	°F	64	66	68	70	72	74	76	78	80	82	ON																											

opmerking:

Knoppen zonder iconen zijn te beschouwen als knoppen zonder functie.




bedieningsinstructies

NL

4.3.1 huidige dag en tijd instellen

1. Druk eenmaal op . Wanneer 'MA' (maandag) gaat knipperen, selecteert u met de huidige dag. 
2. Druk op . Wanneer het uur gaat knipperen, selecteert u met het huidige uur. 
3. Druk nogmaals op . Wanneer de minuten gaan knipperen, selecteert u met de huidige minuten. 
4. Druk nogmaals op . De huidige tijd is nu ingesteld.

4.3.2 AAN/UIT-tijd en -temperatuur op een wekelijkse cyclus instellen

1. Druk op . Wanneer 'MA' gaat knipperen, drukt u drie keer op . Wanneer 'AAN' gaat knipperen, selecteert u met het gewenste uur en de gewenste minuten waarop de verwarming moet inschakelen. U kunt altijd op  drukken om de cijfers te wissen en de 'AAN'-timer uit te schakelen.


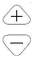






opmerking:

De timer kan alleen worden ingesteld in stappen van 30 minuten (bijv. 00:00 - 00:30, 00:30 - 01:00, enz.)

2. Druk op . Wanneer 'UIT' gaat knipperen, selecteert u met het gewenste uur en de gewenste minuten waarop de verwarming moet uitschakelen. U kunt altijd op  drukken om de cijfers te wissen en de 'UIT'-timer uit te schakelen.
3. Druk nogmaals op . Wanneer '18' gaat knipperen, selecteert u met de gewenste temperatuur voor maandag. 

opmerking:

Als de temperatuur al eerder is ingesteld, wordt die waarde weergegeven in plaats van '18'.

4. Druk nogmaals op . Wanneer 'TUE' op het scherm verschijnt en 'AAN' gaat knipperen, selecteert u met het gewenste uur en de gewenste minuten waarop de verwarming op dinsdag moet inschakelen. 
5. Druk nogmaals op . Wanneer 'UIT' gaat knipperen, selecteert u met het gewenste uur en de gewenste minuten waarop de verwarming op dinsdag moet uitschakelen. 
6. Druk nogmaals op . Wanneer '18' gaat knipperen, selecteert u met de gewenste temperatuur voor dinsdag. 
7. Herhaal stap 1 t/m 6 om de 'AAN/UIT'-tijd en -temperatuur voor woensdag, donderdag, vrijdag, zaterdag en zondag in te stellen.
8. Druk op  of  om het programmeren te voltooien waarbij u de afstandsbediening op de ontvanger in het midden van het apparaat richt. Het apparaat piept één keer om te bevestigen dat het programmeren is geslaagd.

4.3.3 waarschuwing voor open raam

Als de kamertemperatuur binnen drie minuten tien graden daalt, gaat het apparaat ervan uit dat er vlakbij een raam openstaat. Om energie te besparen, schakelt de verwarming automatisch over van hoge warmte naar lage warmte. Als de verwarming al op lage warmte staat, wordt het apparaat volledig uitgeschakeld.

Wanneer u van hoge warmte naar lage warmte overschakelt, piept het apparaat drie keer en knippert '88' drie keer op het digitale display, waarna de huidige verwarmingsstatus wordt weergegeven.

Wanneer u overschakelt van lage warmte naar uit, piept het apparaat drie keer en blijft '88' op het digitale display knipperen.

Raadpleeg het hoofdstuk 'bediening met de afstandsbediening' om de verwarmingsfunctie te resetten.

! WAARSCHUWING

- Voordat u dit apparaat gaat reinigen, onderhouden of verplaatsen, moet u altijd de stekker uit het stopcontact trekken en het apparaat laten afkoelen. Zet de knoppen uit en haal de stekker uit het stopcontact of verbreek de stroom naar het stopcontact door de stroomonderbreker van de woning uit te schakelen.
- Installeer geen vervangende lampen die het gespecificeerde maximumvermogen overschrijden.
- De halogeënlampen in uw apparaat kunnen enorm heet zijn. Wacht nadat u het apparaat hebt uitgeschakeld minstens 10 minuten voordat u de lampen verwijdert om brandwonden te voorkomen.
- Pak de lamp niet met blote handen vast. Huidvet beschadigt de lampen wanneer ze opwarmen. Gebruik handschoenen of een schone, droge doek bij het hanteren van de lampen.

5.1 batterij van de afstandsbediening plaatsen**opmerking:**

De afstandsbediening werkt op twee AAA-batterijen (niet meegeleverd).

! WAARSCHUWING

- Gooi **NOOIT** batterijen in het vuur. Niet naleven van deze voorzorgsmaatregel kan een explosie tot gevolg hebben. Lever batterijen in bij uw plaatselijke centrum voor gevaarlijk afval.

opmerking:

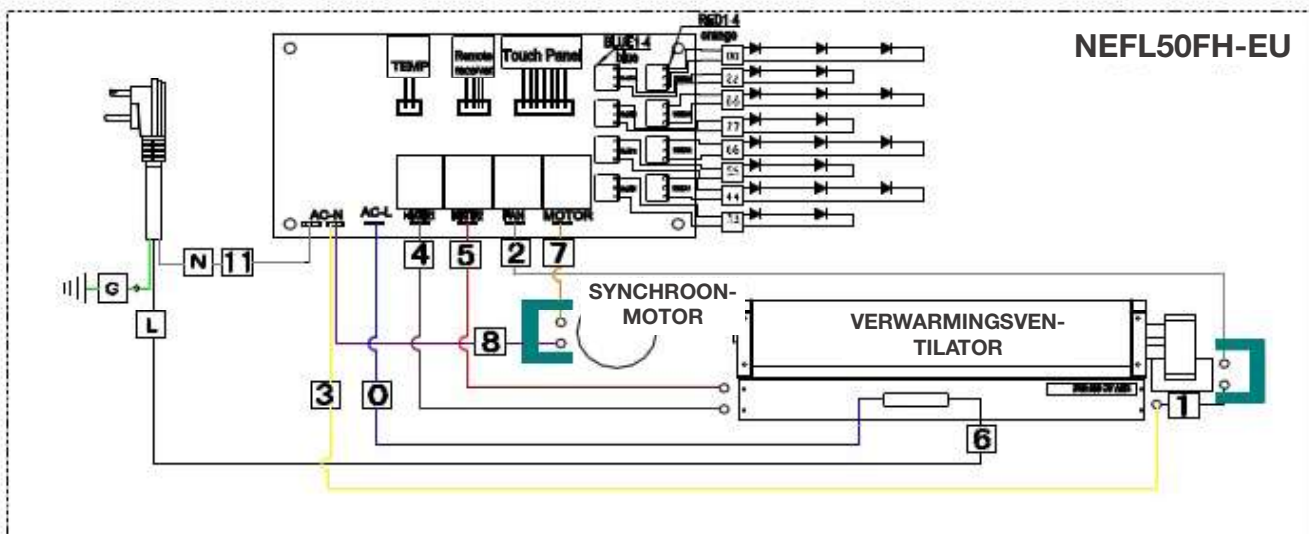
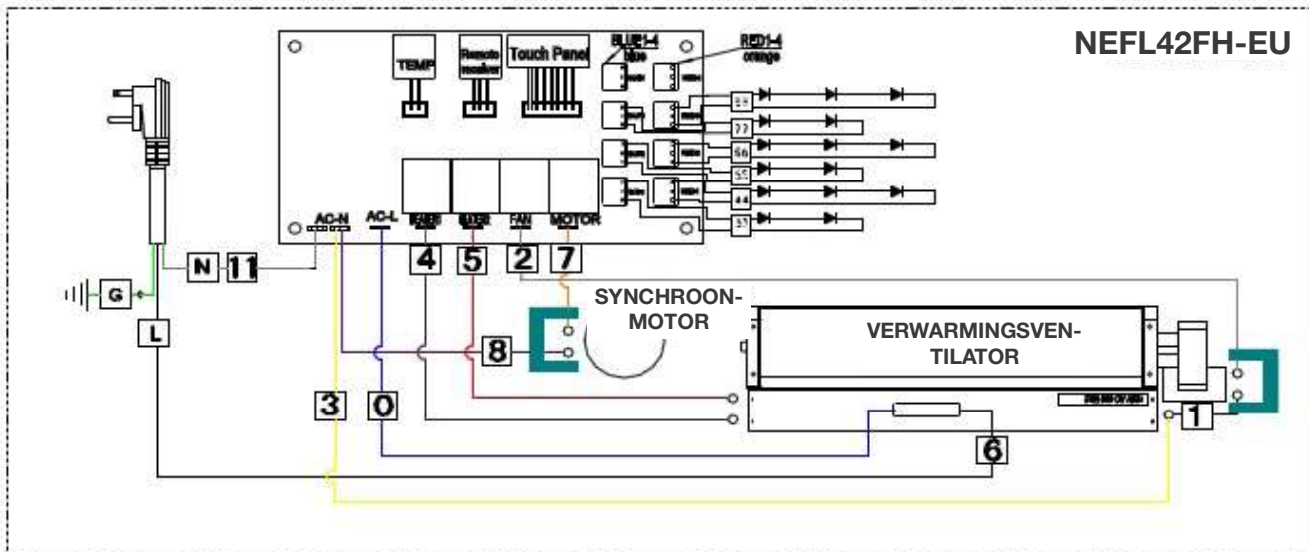
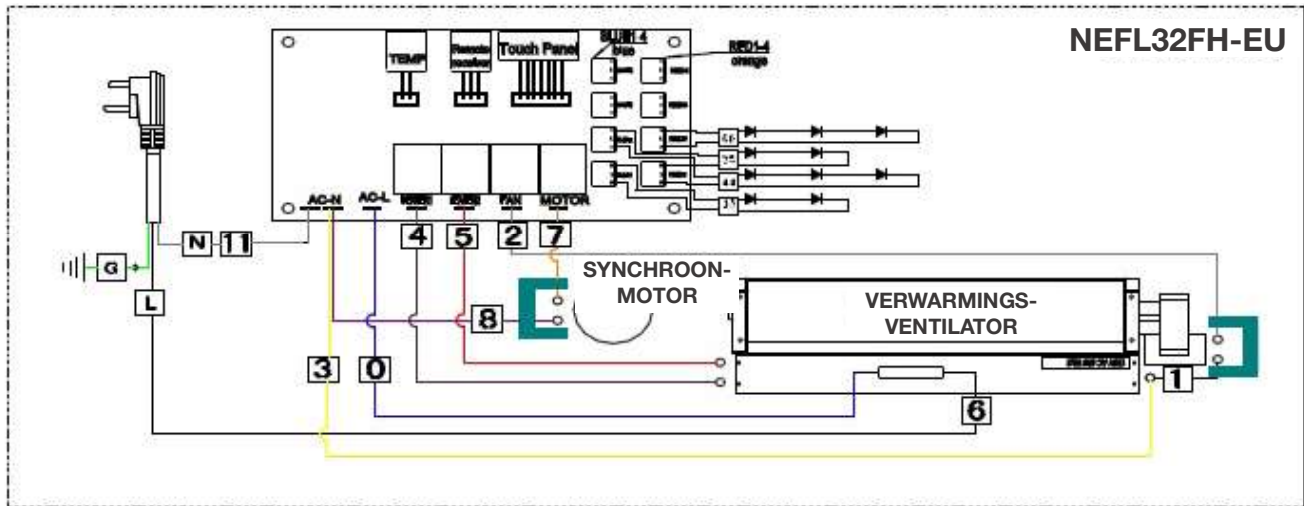
De afstandsbediening werkt alleen effectief binnen 5 meter (17 voet) van het apparaat. Dit bereik kan minder zijn wanneer de batterij leeg raakt.

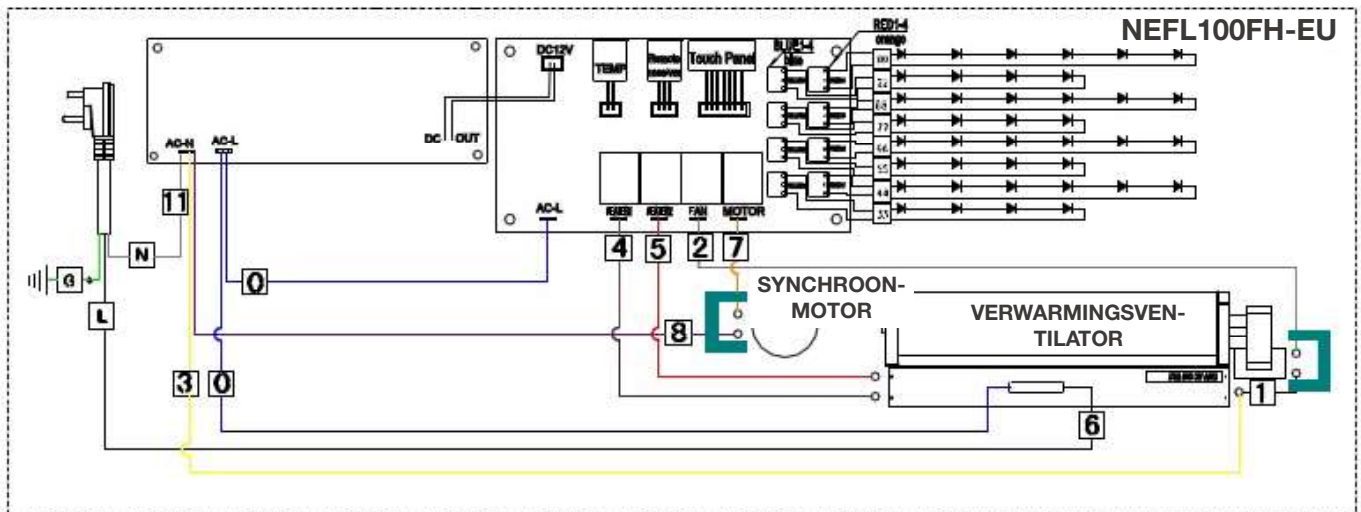
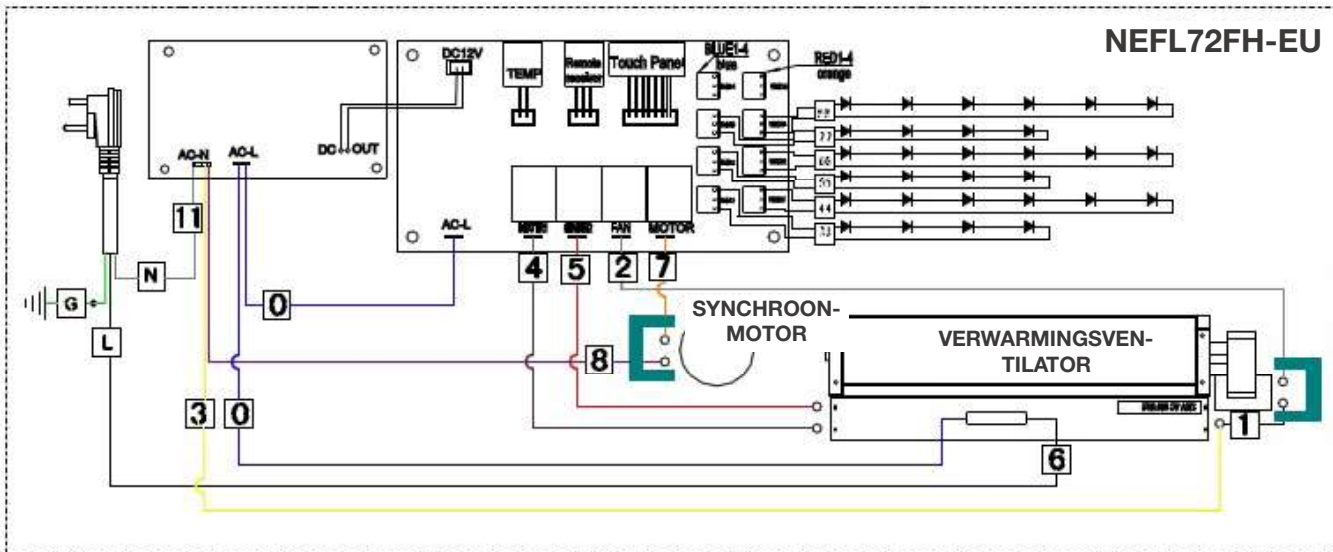
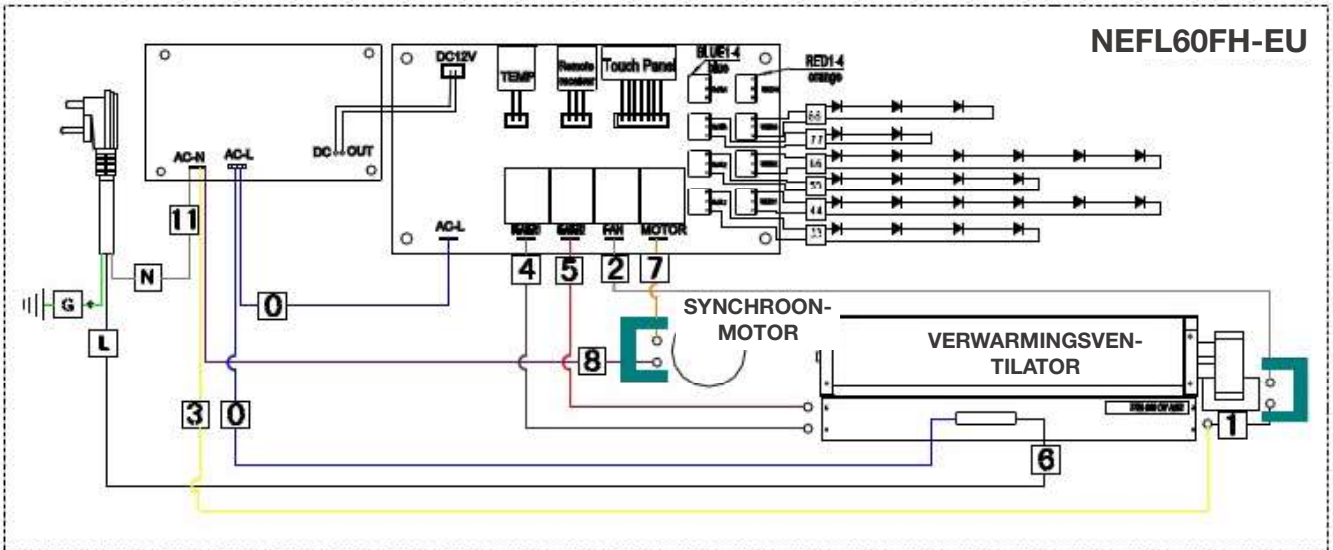
6.0 bedradingschema

NL

! WAARSCHUWING

- Schakel het apparaat volledig uit en laat het afkoelen voordat u onderhoud uitvoert. Dit elektrische apparaat mag alleen worden onderhouden en gerepareerd door een erkende onderhoudsmonteur.





7.0 vervangingsonderdelen

NL

WAARSCHUWING

- Nalaten de onderdelen in overeenstemming met deze handleiding te plaatsen of uitsluitend onderdelen te gebruiken die speciaal voor dit apparaat zijn goedgekeurd, kan materiële schade of persoonlijk letsel tot gevolg hebben.

Neem contact op met uw dealer voor vragen over prijzen en ons beleid wat betreft vervangende onderdelen. Normaal gesproken kunnen alle onderdelen via uw erkende dealer/distributeur worden besteld.

Voor toekenning van een claim voor vervangende onderdelen onder garantie moet een fotokopie van de originele factuur worden overlegd.

Vermeld bij het bestellen van vervangingsonderdelen altijd de volgende informatie:

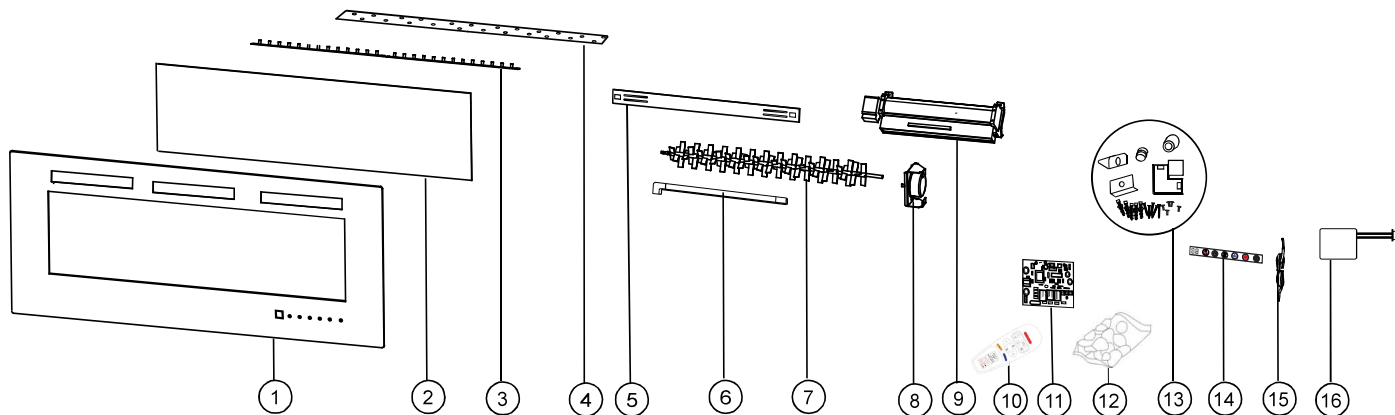
- Model en serienummer van het apparaat
- Installatiedatum van het apparaat
- Onderdeelnummer
- Omschrijving van het onderdeel
- Afwerking

Onderdelen, onderdeelnummers en verkrijgbaarheid kunnen zonder kennisgeving worden gewijzigd.

Onderdelen waarvan is vastgesteld dat ze op voorraad zijn, worden voor de meeste bestemmingen binnen 2 tot 5 werkdagen geleverd.

Onderdelen die niet op voorraad zijn, worden in de meeste gevallen binnen 2 tot 4 weken geleverd.

Onderdelen die worden aangeduid als 'SO' (special order) zijn speciale bestellingen en kunnen een levertijd tot 90 dagen hebben.



Items kunnen anders zijn dan afgebeeld.

REF.	NEFL32FH-EU	NEFL42FH-EU	NEFL50FH-EU	NEFL60FH-EU	NEFL72FH-EU	NEFL100FH-EU	Omschrijving
1	W300-0226	W300-0224	W300-0227	W300-0228	W300-0229	W300-0230	Glazen voorpaneel
2	W475-1192	W475-1185	W475-1193	W475-1194	W475-1195	W475-1196	Acryl kunststof paneel
3	W405-0033			W405-0033 + W405-0037	W405-0033 + W405-0037	W405-0033 + W405-0037	Led-lamp
4	W497-0014	W497-0013	W497-0015	W497-0016	W497-0017	W497-0018	Plastic strip
5	W080-1616-SER					W080-1621	Steun voor wandmontage
6	W200-0571	W200-0572-SER	W200-0572-SER	W200-0572-SER	W200-0572-SER	W200-0572-SER	Snoerbeschermer
7	W527-0009	W527-0008	W527-0010	W527-0011	W527-0012	W527-0013	Reflectorspil
8	W435-0087						Synchronmotor (EU)
9	W062-0073						Blower- en verwarmingseenheid (EU)
10	W190-0138						Afstandsbediening
11	W190-0139			W190-0140			Printplaat (EU)
12	W497-0019	W497-0020	W497-0021	W497-0022	W497-0023	W497-0024	Kristallen Decoratie
13	W370-0050			W370-0055		W370-0057	Montagekit
14	W475-1184						Bedieningspaneel (met ontvanger voor afstandsbediening)
15	W750-0370	W750-0371	W750-0372	W750-0373	W750-0374	W750-0375	Kabelboom
16	W690-0021						Thermostaat
17*	W005-0023-SER						VK-adapter
18*	W005-0024-SER						Zwitserse adapter

* Onderdelen niet afgebeeld.

8.0 probleemoplossing

NL

WAARSCHUWING

- Schakel het apparaat volledig uit en laat het afkoelen voordat u onderhoud uitvoert. Dit elektrische apparaat mag alleen worden onderhouden en gerepareerd door een erkende onderhoudsmonteur.

symptoom	probleem	oplossing
Het apparaat gaat niet aan als de aan/uit-knop/schakelaar in de stand 'aan' wordt gezet.	Het apparaat is niet aangesloten op een stopcontact.	Controleer of de stekker in het stopcontact zit.
	Vaste bedrading is niet correct aangesloten (indien van toepassing).	Zie het hoofdstuk 'installeren via vaste bedrading'.
	Het apparaat is oververhit geraakt en de thermische beveiliging is geactiveerd.	Haal de stekker uit het stopcontact en laat het apparaat 15 minuten afkoelen. Steek vervolgens de stekker weer in het stopcontact en zet het apparaat 'AAN'.
	Probleem met de hoofdprintplaat.	Controleer de printplaat en vervang deze zo nodig.
Het apparaat schakelt uit en gaat niet meer aan.	De stroomonderbreker van de woning is geactiveerd.	Reset de stroomonderbreker.
	De zekering van het apparaat is doorgebrand.	Vervang de zekering.
	Het apparaat is oververhit geraakt en de thermische beveiliging is geactiveerd.	Haal de stekker uit het stopcontact en laat het apparaat 15 minuten afkoelen. Steek vervolgens de stekker weer in het stopcontact en zet het apparaat 'AAN'.
De afstandsbediening werkt niet.	De batterijen zijn (bijna) leeg.	Vervang de batterijen in de afstandsbediening.
	Ontvanger voor de afstandsbediening werkt niet.	Zorg dat de ontvanger voor de afstandsbediening niet geblokkeerd is. Vervang het bedieningspaneel.
Er komt geen warme lucht uit het apparaat.	Verwarmingsstand is niet geselecteerd.	Zie het hoofdstuk 'bedieningsinstructies'.
	Verwarming is uitgeschakeld.	Zie het hoofdstuk 'bedieningsinstructies'.
	De kamertemperatuur is hoger dan de apparaatinstelling (indien ingesteld op kamertemperatuur).	Reset de temperatuurinstelling.
	Het apparaat is oververhit geraakt en de thermische beveiliging is geactiveerd.	Haal de stekker uit het stopcontact of schakel de stroomonderbreker uit. Laat het apparaat 15 minuten afkoelen.
	Vaste bedrading is niet correct aangesloten (indien van toepassing).	Zie het hoofdstuk 'installeren via vaste bedrading'.
	Probleem met de verwarming.	Controleer de blower en de verwarming en vervang ze zo nodig.
De verwarming schakelt automatisch uit.	De kamer is te warm.	De verwarming is uitgerust met een ingebouwde thermostaat zodat deze automatisch wordt uitgeschakeld zodra de vooraf ingestelde temperatuur is bereikt. De verwarming wordt ook automatisch ingeschakeld als de kamertemperatuur onder de vooraf ingestelde temperatuur daalt.
Zwakke of geen vlam.	Helderheid van de vlam niet geselecteerd.	Zie het hoofdstuk 'bedieningsinstructies'.
	Probleem met de led-lampen van de vlam.	Controleer de led-lamp en vervang deze zo nodig.
	Probleem met de hoofdprintplaat.	Controleer de hoofdprintplaat en vervang deze zo nodig.

Aanraakscherm/ afstandsbediening werkt niet.	Het glazen voorpaneel is verschoven of zit niet goed vast.	Haal de stekker uit het stopcontact. Als het apparaat in de muur is ingebouwd, schakelt u de stroomonderbreker van de woning uit. Zorg dat het glazen voorpaneel op de juiste plek en vlak tegen het aanraakscherm zit. Steek na 10 seconden de stekker weer in het stopcontact of schakel het apparaat in om het te resetten.
Kristallen gloeien of dimmen niet.	De helderheid is niet geselecteerd.	Zie het hoofdstuk 'bedieningsinstructies'.
	Probleem met de led-lamp onder de kristallen decoratie.	Controleer de leds onder de kristallen decoratie en vervang ze zo nodig.
	Probleem met de hoofdprintplaat.	Controleer de hoofdprintplaat en vervang deze zo nodig.

opmerking:

Wees voorzichtig bij het verwijderen en afvoeren van gebroken glas of beschadigde onderdelen. Verwijder gebroken glas uit het apparaat met een stofzuiger voordat u het apparaat gebruikt.

9.0 garantie

NL

Elektrische apparaten van **Napoleon** worden vervaardigd volgens de strikte wereldwijd erkende norm ISO 9001 : 2015 voor kwaliteitsmanagementsystemen.

Napoleon-producten zijn ontworpen met superieure componenten en materialen en worden samengesteld door getrainde vakmensen die hun werk met trots uitvoeren. Na montage en voordat het apparaat wordt verpakt, laten we het complete apparaat grondig door een erkende en geautoriseerde installateur, servicedienst of leverancier inspecteren om te verzekeren dat u als klant het kwaliteitsproduct ontvangt dat u van **Napoleon** verwacht.

Beperkte garantie van Napoleon Electric Appliance

Elektrische componenten en wearables worden gedekt en **Napoleon** levert tijdens de eerste 2 jaar van de beperkte garantie gratis vervangende onderdelen. Dit omvat: ventilator/verwarmingen, motoren, schakelaars, nylon lageronderdelen, afstandsbedieningen en led-lampen.*

Gloeilampen en zekeringen vallen NIET onder de garantie.

Arbeidskosten voor reparaties onder deze garantie worden niet gedekt.

* De bouw van modellen varieert. De garantie is alleen van toepassing op componenten die met uw specifieke apparaat

Voorwaarden en beperkingen

Napoleons garantie op productiefouten geldt alleen voor de oorspronkelijke koper. U hoeft uw garantie niet te registreren. Bij een garantieclaim kunt u, samen met het model- en serienummer, gewoon uw aankoopbewijs verstrekken. Op voorwaarde dat de aankoop is gedaan via een erkende **Napoleon**-dealer zijn de volgende voorwaarden en beperkingen op uw apparaat van toepassing:

De garantiedekking begint op de datum van de oorspronkelijke installatie.

Deze fabrieksgarantie is niet overdraagbaar en mag onder geen beding door een van onze vertegenwoordigers worden verlengd.

De installatie moet worden uitgevoerd volgens de bij het product geleverde installatie-instructies en alle lokale en nationale bouw- en brandverordeningen.

Deze beperkte garantie dekt geen schade ten gevolge van verkeerd gebruik, gebrek aan onderhoud, ongevallen, wijzigingen, misbruik of verwaarlozing. De garantie is nietig wanneer er onderdelen van andere fabrikanten zijn geïnstalleerd. Verder dekt deze beperkte garantie geen krassen, deuken, corrosie of verkleuring die worden veroorzaakt door overmatige hitte of schurende en chemische reinigingsmiddelen, noch afbrokkeling van geëmailleerde onderdelen of mechanische schade aan PHAZER™-houtblokken.

Deze garantie is alleen tijdens de eerste twee jaar geldig voor reparatie of vervanging van garantieonderdelen die materiaal- of fabricagefouten vertonen, op voorwaarde dat het product volgens de bedieningsinstructies en onder normale omstandigheden is gebruikt.

Napoleon is niet verantwoordelijk voor installatie-, arbeids- of andere kosten voor het opnieuw installeren van een garantieonderdeel; zulke kosten vallen niet onder deze garantie. Onverminderd de bepalingen in de beperkte garantie is **Napoleon** onder deze garantie zoals hierboven beschreven, niet aansprakelijk voor incidentele, gevolgschade of indirecte schade.

Deze garantie beschrijft de verplichtingen en aansprakelijkheid van **Napoleon** betreffende het elektrische apparaat van **Napoleon** en alle andere expliciete of impliciete garanties met betrekking tot dit product, de onderdelen of accessoires worden uitgesloten.

Napoleon aanvaardt geen andere aansprakelijkheden met betrekking tot de verkoop van dit product, noch machtigt **Napoleon** derden om dergelijke aansprakelijkheid namens het bedrijf te aanvaarden.

Napoleon is niet aansprakelijk voor schade aan het apparaat, de messing rand of andere onderdelen ten gevolge van water, het weer, langdurig vocht, condensatie, schadelijke chemicaliën of reinigingsmiddelen.

Napoleon behoudt zich het recht voor om een product of onderdeel door zijn vertegenwoordiger te laten controleren voordat een garantieclaim wordt erkend.

Voor onderdelen die volgens de beperkte garantiepolis worden vervangen, kan slechts één claim worden ingediend.

Alle onderdelen die onder de garantie worden vervangen, worden voor een periode van 90 dagen vanaf de installatiedatum gegarandeerd.

De fabrikant kan eisen dat defecte onderdelen of producten worden geretourneerd of dat er digitale foto's worden verstrekt ter ondersteuning van de claim. Geretourneerde producten moeten prepaid naar de fabrikant worden verzonden voor beoordeling. Als een product defect blijkt te zijn, zal de fabrikant het betreffende defect repareren of vervangen.

Voordat u uw apparaat of defecte onderdelen verzendt, moet uw dealer een autorisatienummer aanvragen. Alle goederen die zonder autorisatie worden verzonden, worden geweigerd en teruggestuurd naar de afzender.

Verzendkosten worden niet door deze garantie gedekt.

Voor aanvragen van garantieservice bij een dealer kunnen extra servicekosten in rekening worden gebracht.

Vanwege continue productverbeteringen kunnen alle specificaties en ontwerpen kunnen zonder voorafgaande kennisgeving worden gewijzigd. **Napoleon** is een gedeponeerd handelsmerk van Wolf Steel Ltd.

NAPOLEON BIEDT AL MEER DAN 40 JAAR PRODUCTEN VOOR WOONCOMFORT



WEEE:



Betekenis van doorgekruiste vuilniscontainer:

Gooi elektrische apparaten niet weg bij het ongesorteerd huishoudelijk afval. Breng ze naar de speciale inzamelpunten. Vraag bij de gemeente na welke inzamelpunten er zijn. Als elektrische apparaten op een vuilnisbelt of stortplaats belanden, kunnen gevaarlijke stoffen in het grondwater lekken en in de voedselketen terechtkomen, en dat is schadelijk voor uw gezondheid en welzijn.

Als u oude apparaten door nieuwe vervangt, is de dealer wettelijk verplicht om uw oude apparaat gratis in te nemen.



7200 Route Transcanadienne, Montréal, Québec H4T 1A3, Canada
24 Napoleon Road, Barrie, Ontario L4M 0G8, Canada
214 Bayview Drive, Barrie, Ontario L4N 4Y8, Canada
103 Miller Drive, Crittenden, Kentucky 41030, VS
De Riemsdijk 22, 4004 LC Tiel, Nederland
napoleon.com