



**ROW UNIT MID-MOUNT FERTILIZER INJECTION OPENER**  
**John Deere, Kinze, Harvest International, & White Row Units**  
**SINGLE WHEEL MODELS**

**2968-020B, 2968-021B, 2968-022B, 2968-025B, 2968-026A, & 2968-027A**

**DUAL WHEEL MODELS**

**2968-040A, 2968-041A, 2968-042A, 2968-043A, 2968-044A, & 2968-045A**

**SET UP & PARTS MANUAL**

**2565-951\_REV\_C – 01/2020**



**YETTER MANUFACTURING CO.**

FOUNDED 1930

Colchester, IL 62326-0358

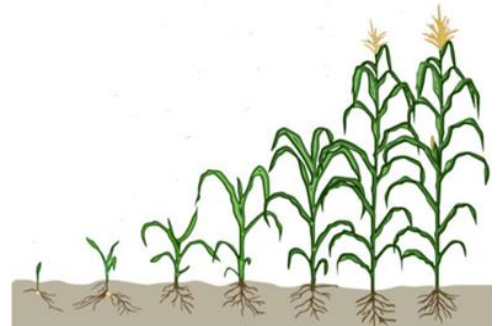
Toll free: 800/447-5777

309/776-3222 (Fax)

Website: [www.yetterco.com](http://www.yetterco.com)

E-mail: [info@yetterco.com](mailto:info@yetterco.com)

**GERMINATE UNIFORMITY™**



# TABLE OF CONTENTS

FOREWORD ..... 3  
 SAFETY ..... 4  
 PICTORIAL PART LIST ..... 5 – 12  
 INSTALLATION ..... 13 – 20  
 OPERATION ..... 21 – 22  
 MAINTENANCE ..... 23 – 25  
 PARTS IDENTIFICATION..... 26 – 45  
 TROUBLESHOOTING .....46



## BOLT TORQUE

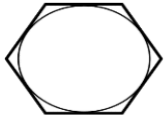


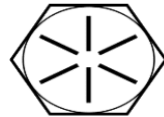
**Important:** Over-tightening hardware can cause just as much damage as under-tightening. Tightening hardware beyond the recommended range can reduce its shock load capacity.

All hardware is either Grade 5 unless otherwise noted. Grade 5 cap screws are marked with three radial lines on the head. Grade 8 cap screws are marked with six radial lines on the head. If hardware must be replaced, be sure to replace it with hardware of equal size, strength and thread type. Refer to the torque values chart when tightening hardware.

The chart below is a guide for proper torque. Use it unless a specified torque is called out elsewhere in the manual. Torque is the force applied to the end of the handle or cheater bar, times the length of the handle or bar. Tightening hardware beyond the recommended range can reduce its shock load capacity.

### Use a torque wrench wherever possible

The following table shows torque in ft.-lbs. for coarse thread hardware.

Bolt Diameter and Threads per Inch	 Grade 2	 Grade 5	 A-325	 Grade 8
1/4	6		10	14
5/16	12		20	30
3/8 – 16	25		35	50
7/16 – 14	35		55	80
1/2 – 13	55		85	125
9/16 – 12	75		125	175
5/8 – 11	105		170	235
3/4-10	185		305	425
7/8 – 9	170		445	690
1-8	260		670	1030
1 1/8 – 7	365		900	1460
1 1/4 - 7	515		1275	2060
1 3/8 – 6	675		1675	2700
1 1/2 - 6	900		2150	3500
1 3/4 – 5	1410		3500	5600

**CHECK HARDWARE DAILY FOR LOOSENESS, TORQUE TO SPEC AS NEEDED**

## FOREWORD

You've just joined an exclusive but rapidly growing club.

For our part, we want to welcome you to the group and thank you for buying a Yetter product.

We hope your new Yetter products will help you achieve both goals-increase your productivity and increase your efficiency so that you may generate more profit.

This operator's manual has been designed into four major sections: Foreword, Safety Precautions, Installation Instructions and Parts Breakdown.



This **SAFETY ALERT SYMBOL** indicates important safety messages in the manual. When you see this symbol, be alert to the possibility of **PERSONAL INJURY** and carefully read the message that follows.

The word **NOTE** is used to convey information that is out of context with the manual text. It contains special information such as specifications, techniques and reference information of a supplementary nature.

The word **IMPORTANT** is used in the text when immediate damage will occur to the machine due to improper technique or operation.

Important will apply to the same information as specified by note only of an immediate and urgent nature.

It is the responsibility of the user to read the operator's manual and comply with the safe and correct operating procedure and to lubricate and maintain the product according to the maintenance schedule in the operator's manual.

The user is responsible for inspecting his machine and for having parts repaired or replaced when continued use of the product would cause damage or excessive wear to the other parts.

It is the user's responsibility to deliver his machine to the Yetter dealer who sold him the product for service or replacement of defective parts, which are covered by the warranty policy.

If you are unable to understand or follow the instructions provided in this publication, consult your local Yetter dealer or contact:

### **YETTER MANUFACTURING CO.**

309/776-4111

800/447-5777

309/776-3222 (FAX)

Website: [www.yetterco.com](http://www.yetterco.com)

E-mail: [info@yetterco.com](mailto:info@yetterco.com)

## WARRANTY

Yetter Manufacturing warrants all products manufactured and sold by it against defects in material. This warranty being expressly limited to replacement at the factory of such parts or products as shall appear to be defective after inspection. This warranty does not obligate the Company to bear cost of labor in replacement of parts. It is the policy of the Company to make improvements without incurring obligations to add them to any unit already sold. No warranty is made or authorized to be made, other than herein set forth. This warranty is in effect for one year after purchase.

DEALER: \_\_\_\_\_

**Yetter Manufacturing warrants its own products only and cannot be responsible for damages to equipment on which mounted.**

# **BE ALERT!**

## **YOUR SAFETY IS INVOLVED**



**WATCH FOR THIS SYMBOL. IT POINTS OUT IMPORTANT SAFETY PRECAUTIONS. IT MEANS “ATTENTION – BE ALERT!”**

It is your responsibility as an owner, operator, or supervision to know and instruct everyone using this machine at the time of initial assignment and at least annually thereafter, of the proper operation, precautions, and work hazards which exist in the operation of the machine in accordance with OSHA regulations.

### **Safety Is No Accident**

**The following safety instructions, combined with common sense, will save your equipment from needless damage and the operator from unnecessary exposure to personal hazard. Pay special attention to the caution notes in the text. Review this manual at least once a year with all operators.**



1. Read and understand the operator's manual before operating this machine. Failure to do so is considered a misuse of the equipment.
2. Make sure equipment is secure before operating.
3. Always keep children away from equipment when operating.
4. Make sure everyone that is not directly involved with the operation is out of the work area before beginning operation.
5. Make sure all safety devices, shields, and guards are in place and functional before beginning operation
6. Shut off all power to adjust, service, or clean.
7. Keep hands, feet, and clothing away from moving parts. It is a good idea to remove all jewelry before operating.
8. Inspect the machine periodically during operation for signs of excessive wear, loose fasteners, and unusual noises.
9. Always make sure the tractor is in park, wheels chocked if necessary, and hydraulic cylinder stops on machine are in place before beginning any work on or around machine.

**BEFORE BEGINNING INSTALLATION, PLEASE GO THROUGH YOUR ORDER TO ENSURE THAT YOU HAVE THE CORRECT PARTS AND HARDWARE, AND THAT THE QUANTITIES ARE CORRECT. USE THE PICTORIAL PART LIST BELOW TO GUIDE YOU.**




## 2968-020B Pictorial Parts List

For JD 1700, 7200, & 7300 Single Disc, Left or Right Hand

 <p>2968-153 QTY 1 Bolt Bag</p>	 <p>2968-222 QTY 1 Close Wheel Mount</p>	 <p>Only if -LH Ordered 2968-470-LH QTY 1 Short Fert. Wheel Mount, LH</p>	 <p>Only if -RH Ordered 2968-470-RH QTY 1 Short Fert. Wheel Mount, RH</p>	 <p>2968-361 QTY 1 Arm Clamp</p>
---	---	--	--	---


## 2968-021B Pictorial Parts List

For JD 7000 & 7100, Kinze 2000 & 3000, Single Disc, Left or Right Hand

 <p>2968-154 QTY 1 Bolt Bag</p>	 <p>2968-223 QTY 1 Close Wheel Mount</p>	 <p>Only if -LH Ordered 2968-470-LH QTY 1 Short Fert. Wheel Mount, LH</p>	 <p>Only if -RH Ordered 2968-470-RH QTY 1 Short Fert. Wheel Mount, RH</p>	 <p>2968-361 QTY 1 Arm Clamp</p>
---	---	--	--	---

## 2968-022B Pictorial Parts List

For White 8000, Single Disc, Left or Right Hand

 <p>2968-155 QTY 1 Bolt Bag</p>	 <p>2968-224 QTY 1 Close Wheel Mount</p>	 <p>Only if -LH Ordered 2968-470-LH QTY 1 Short Fert. Wheel Mount, LH</p>	 <p>Only if -RH Ordered 2968-470-RH QTY 1 Short Fert. Wheel Mount, RH</p>	 <p>2968-469 QTY 1 Arm Spacer, 2"</p>	 <p>2968-361 QTY 1 Arm Clamp</p>
--	--	---	--	---	--


## 2968-025B Pictorial Parts List

For White 9000, Single Disc, Left or Right Hand

 <p>2968-155 QTY 1 Bolt Bag</p>	 <p>2968-220 QTY 1 Close Wheel Mount</p>	 <p>Only if -LH Ordered 2968-470-LH QTY 1 Short Fert. Wheel Mount, LH</p>	 <p>Only if -RH Ordered 2968-470-RH QTY 1 Short Fert. Wheel Mount, RH</p>	 <p>2968-361 QTY 1 Arm Clamp</p>
---	---	--	--	---






## 2968-026A Pictorial Parts List

For Harvest International Single Disc, Left or Right Hand

 <p>2968-153 QTY 1 Bolt Bag</p>	 <p>2968-225 QTY 1 Close Wheel Mount</p>	 <p>Only if -LH Ordered 2968-470-LH QTY 1 Short Fert. Wheel Mount, LH</p>	 <p>Only if -RH Ordered 2968-470-RH QTY 1 Short Fert. Wheel Mount, RH</p>	 <p>2968-361 QTY 1 Arm Clamp</p>
---	---	--	--	---

## 2968-027A Pictorial Parts List

For Kinze 4900 Single Disc, Left or Right Hand

 <p>2968-156 QTY 1 Bolt Bag</p>	 <p>2968-228 QTY 1 Close Wheel Mount</p>	 <p>Only if -LH Ordered 2968-470-LH QTY 1 Short Fert. Wheel Mount, LH</p>	 <p>Only if -RH Ordered 2968-470-RH QTY 1 Short Fert. Wheel Mount, RH</p>	 <p>2968-361 QTY 1 Arm Clamp</p>
---	---	--	--	---

## 2968-040A Pictorial Parts List

For JD 1700, 7200, & 7300 Dual Disc

 <p>2968-157 QTY 1 Bolt Bag</p>	 <p>2968-222 QTY 1 Close Wheel Mount</p>	 <p>2968-470-RH QTY 1 Short Fert. Wheel Mount, RH</p>	 <p>2968-471-LH QTY 1 Tall Fert. Wheel Mount</p>	 <p>2968-361 QTY 1 Arm Clamp</p>
---	---	--	---	---


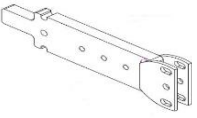




## 2968-041A Pictorial Parts List

For JD 7000 & 7100, Kinze 2000 & 3000, Dual Disc

 <p>2968-159 QTY 1 Bolt Bag</p>	 <p>2968-223 QTY 1 Close Wheel Mount</p>	 <p>2968-470-RH QTY 1 Short Fert. Wheel Mount, RH</p>	 <p>2968-471-LH QTY 1 Tall Fert. Wheel Mount</p>	 <p>2968-361 QTY 1 Arm Clamp</p>
--	--	---	--	--


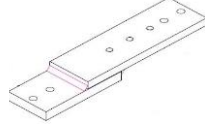



## 2968-042A Pictorial Parts List

For White 8000, Dual Disc

 <p>2968-160 QTY 1 Bolt Bag</p>	 <p>2968-224 QTY 1 Close Wheel Mount</p>	 <p>2968-470-RH QTY 1 Short Fert. Wheel Mount, RH</p>	 <p>2968-471-LH QTY 1 Short Fert. Wheel Mount, LH</p>	 <p>2968-469 QTY 1 Arm Spacer, 2"</p>	 <p>2968-361 QTY 1 Arm Clamp</p>
---	---	--	---	--	---

## 2968-043A Pictorial Parts List





For White 9000, Single Disc, Left or Right Hand

 <p>2968-160 QTY 1 Bolt Bag</p>	 <p>2968-220 QTY 1 Close Wheel Mount</p>	 <p>2968-470-RH QTY 1 Short Fert. Wheel Mount, LH</p>	 <p>2968-471-LH QTY 1 Short Fert. Wheel Mount, RH</p>	 <p>2968-361 QTY 1 Arm Clamp</p>
---	---	--	--	---



## 2968-044A Pictorial Parts List

For Harvest International, Dual Disc




 2968-157 QTY 1 Bolt Bag	 2968-225 QTY 1 Close Wheel Mount	 2968-470-RH QTY 1 Short Fert. Wheel Mount, RH	 2968-471-LH QTY 1 Tall Fert. Wheel Mount	 2968-361 QTY 1 Arm Clamp
---	---	---	--	---

## 2968-045A Pictorial Parts List


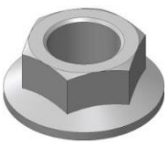




For Kinze 4900, Dual Disc

 2968-158 QTY 1 Bolt Bag	 2968-228 QTY 1 Close Wheel Mount	 2968-470-RH QTY 1 Short Fert. Wheel Mount, RH	 2968-471-LH QTY 1 Tall Fert. Wheel Mount	 2968-361 QTY 1 Arm Clamp
---	---	---	--	---

## 2968-132 Pictorial Parts List – 10” Fertilizer Wheel Assembly

 2505-207 QTY 4 5/16 X 1 1/4 Carriage Bolt	 2520-206 QTY 4 5/16 Flange Lock Nut	 2570-740 QTY 1 Flanged D-Bolt 5/8 X 2.812 GR 8	 2965-128 QTY 1 Hub & Bearing Assembly, 4 bolt	 2965-352 QTY 1 Hub Cap Casting	 2968-320 QTY 1 10” Notched Blade
--	--	---	--	---	---

## 2968-133 Pictorial Parts List – 11” Fertilizer Wheel Assembly

 2505-207 QTY 4 5/16 X 1 1/4 Carriage Bolt	 2520-206 QTY 4 5/16 Flange Lock Nut	 2570-740 QTY 1 Flanged D-Bolt 5/8 X 2.812 GR 8	 2965-128 QTY 1 Hub & Bearing Assembly, 4 bolt	 2965-352 QTY 1 Hub Cap Casting	 2968-364 QTY 1 11” Notched Blade
---	---	--	---	--	--

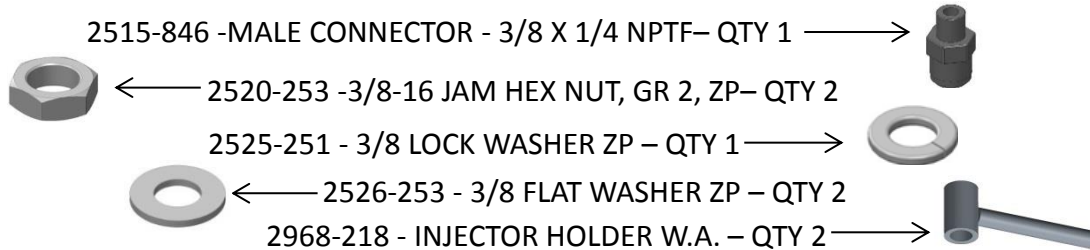
## 2968-090A-L & 2968-090A-R Pictorial Parts List

● = ONLY INCLUDED IN 2968-090A-L KIT

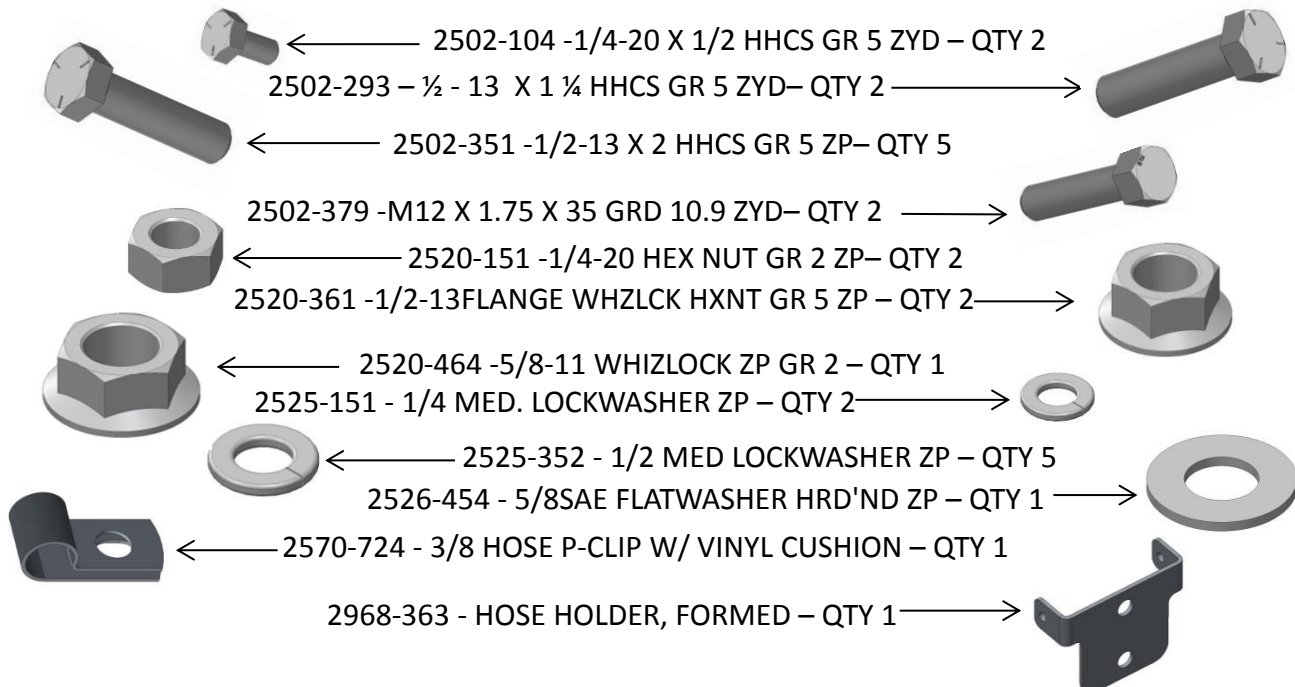
+ = ONLY INCLUDED IN 2960-090A-R KIT



## 2968-091 INJECTOR KIT, ONE SIDE



## 2968-153 Pictorial Parts List – Bolt Bag for 2968-020B & 2968-026A

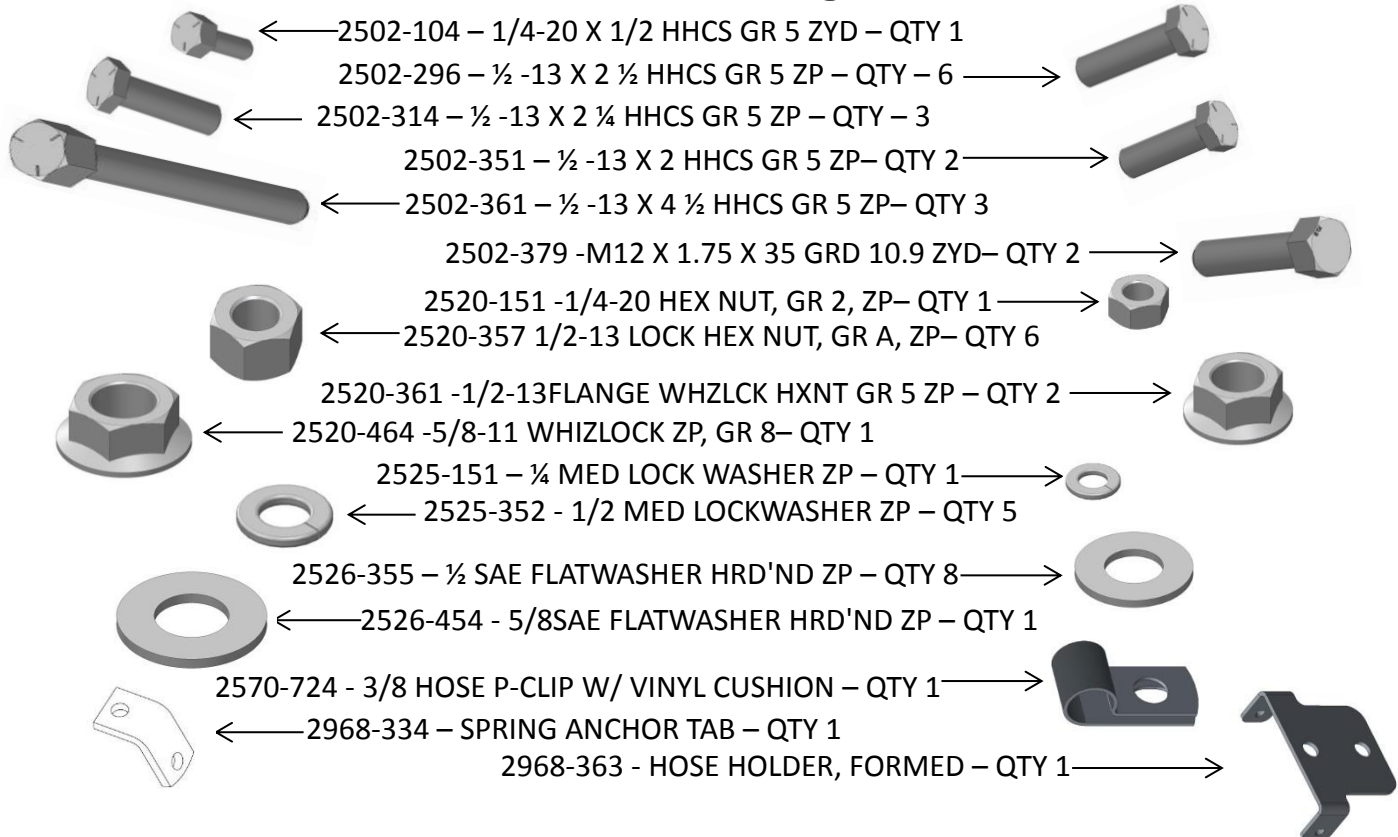




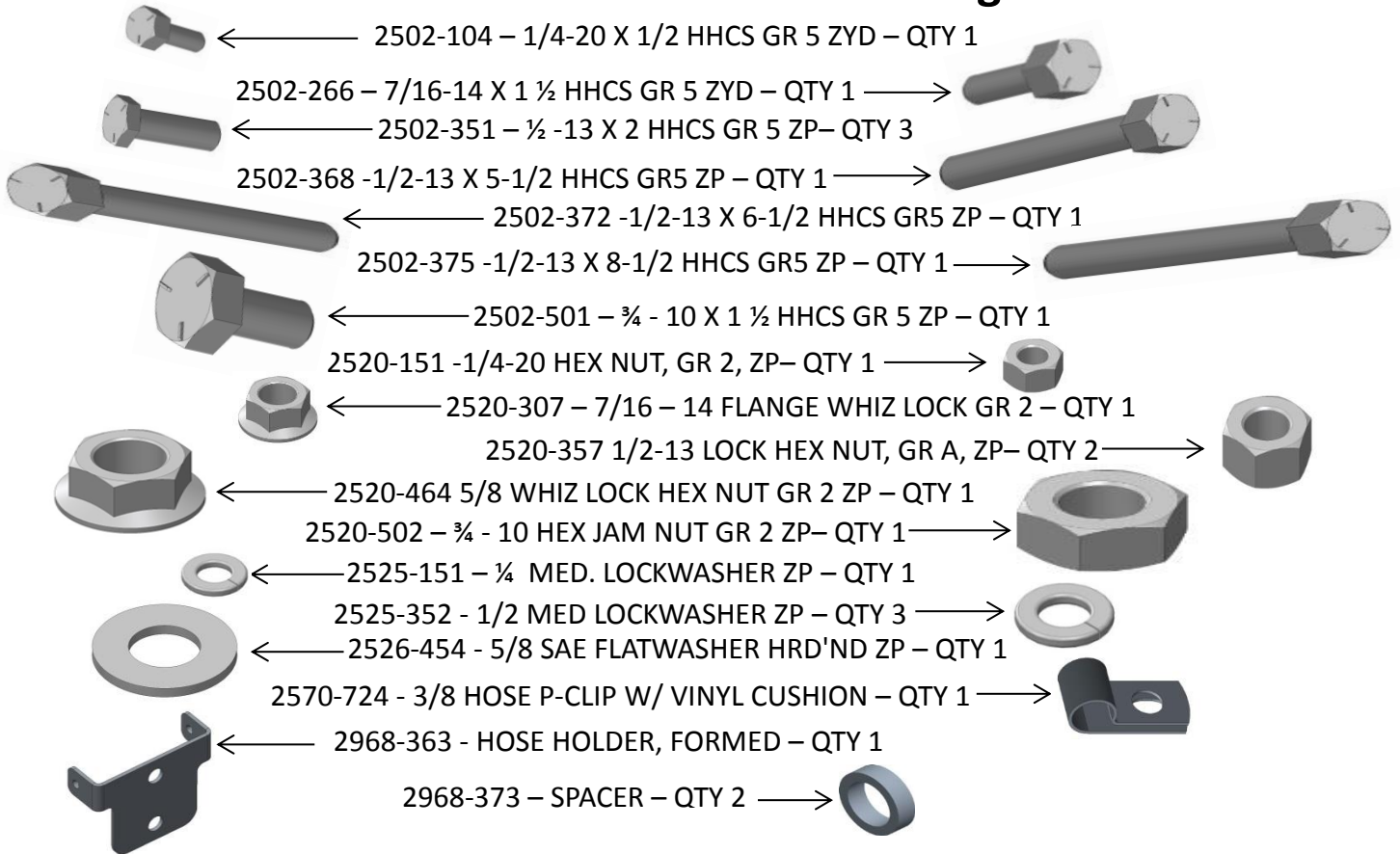
## 2968-154 Pictorial Parts List – Bolt Bag for 2968-021B



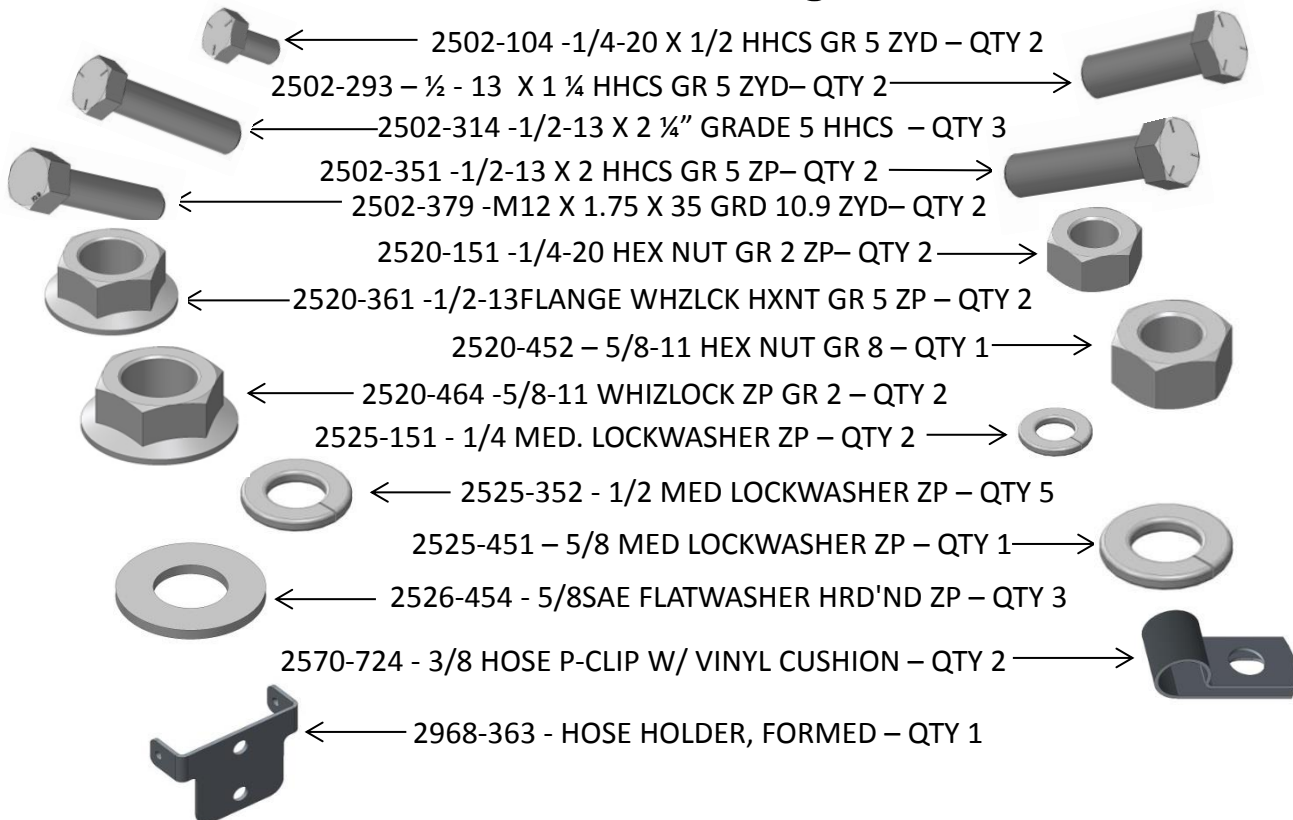
## 2968-155 Pictorial Parts List – Bolt Bag for 2968-022B & 2968-025B



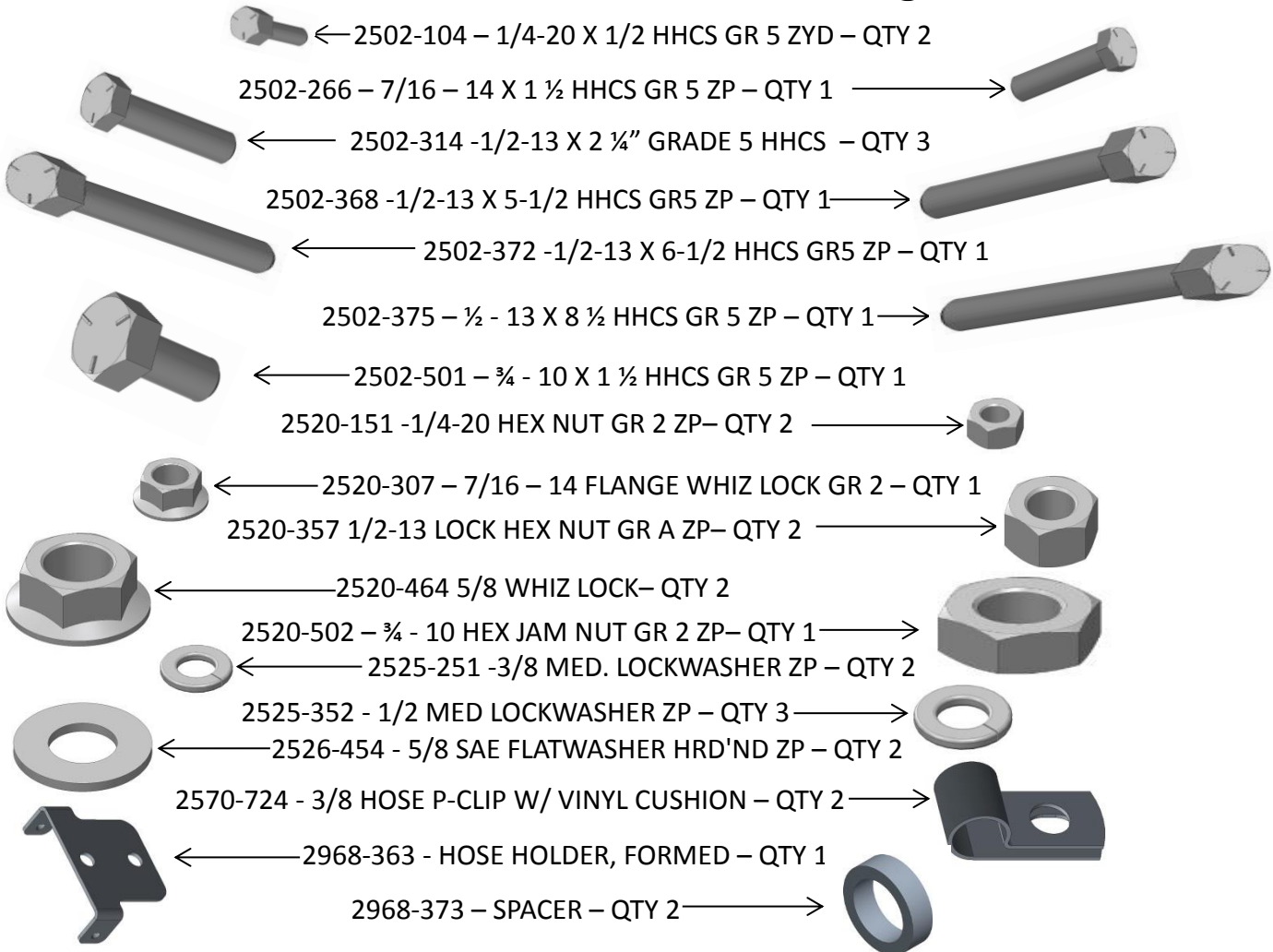
## 2968-156 Pictorial Parts List – Bolt Bag for 2968-027A



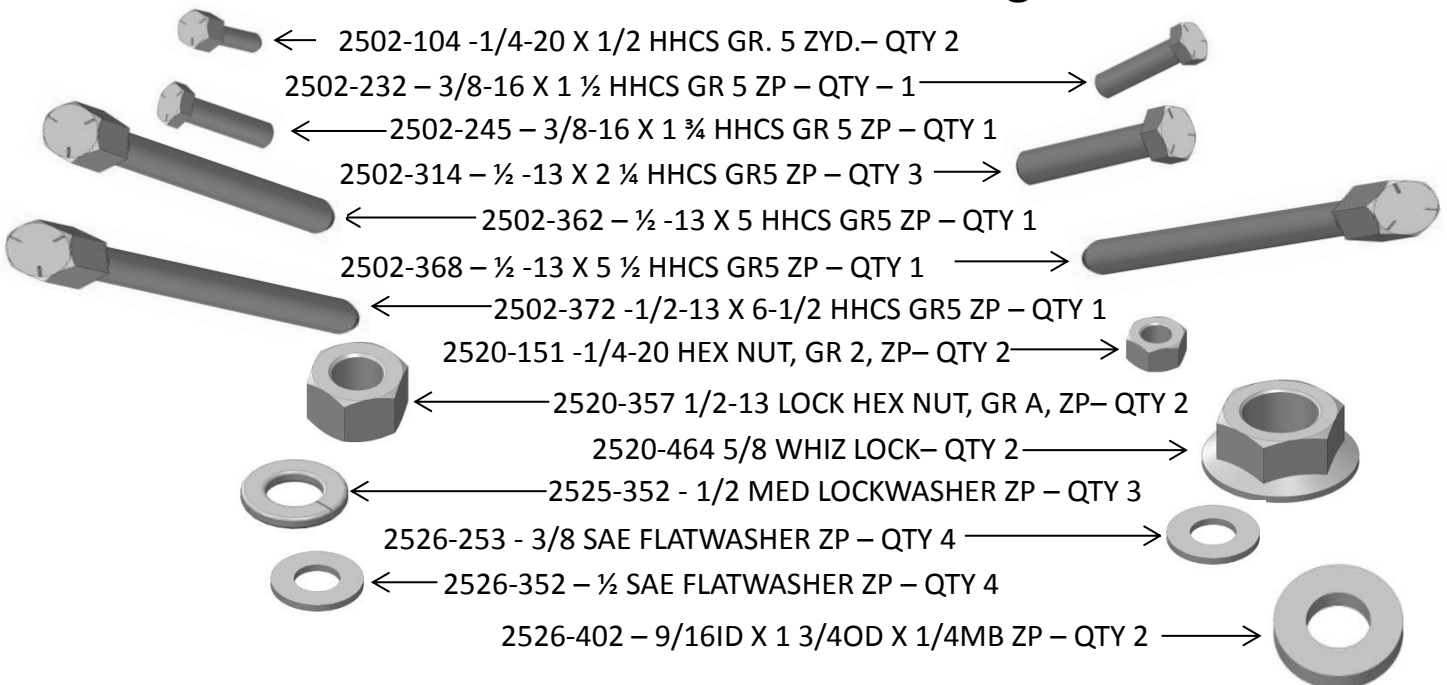
## 2968-157 Pictorial Parts List – Bolt Bag for 2968-040A & 2968-044A



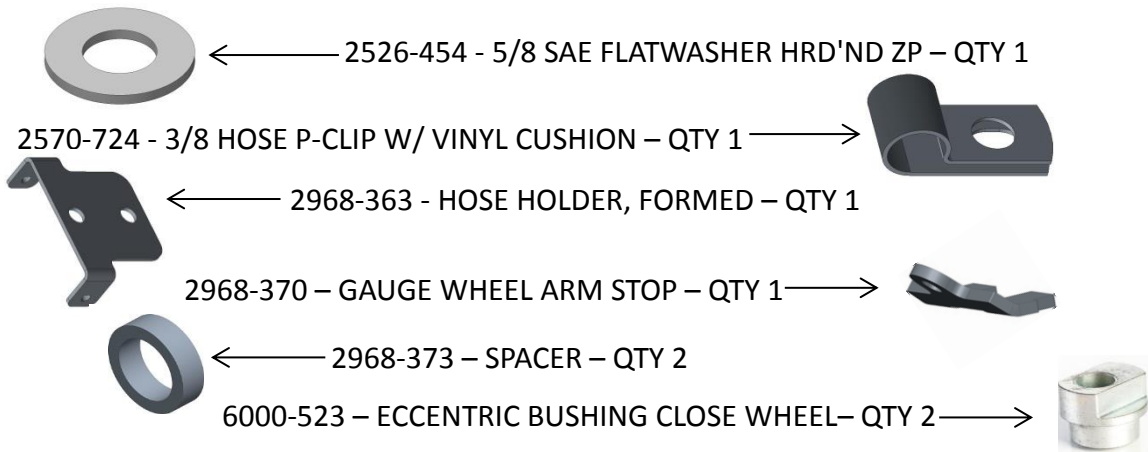
## 2968-158 Pictorial Parts List – Bolt Bag for 2968-045A



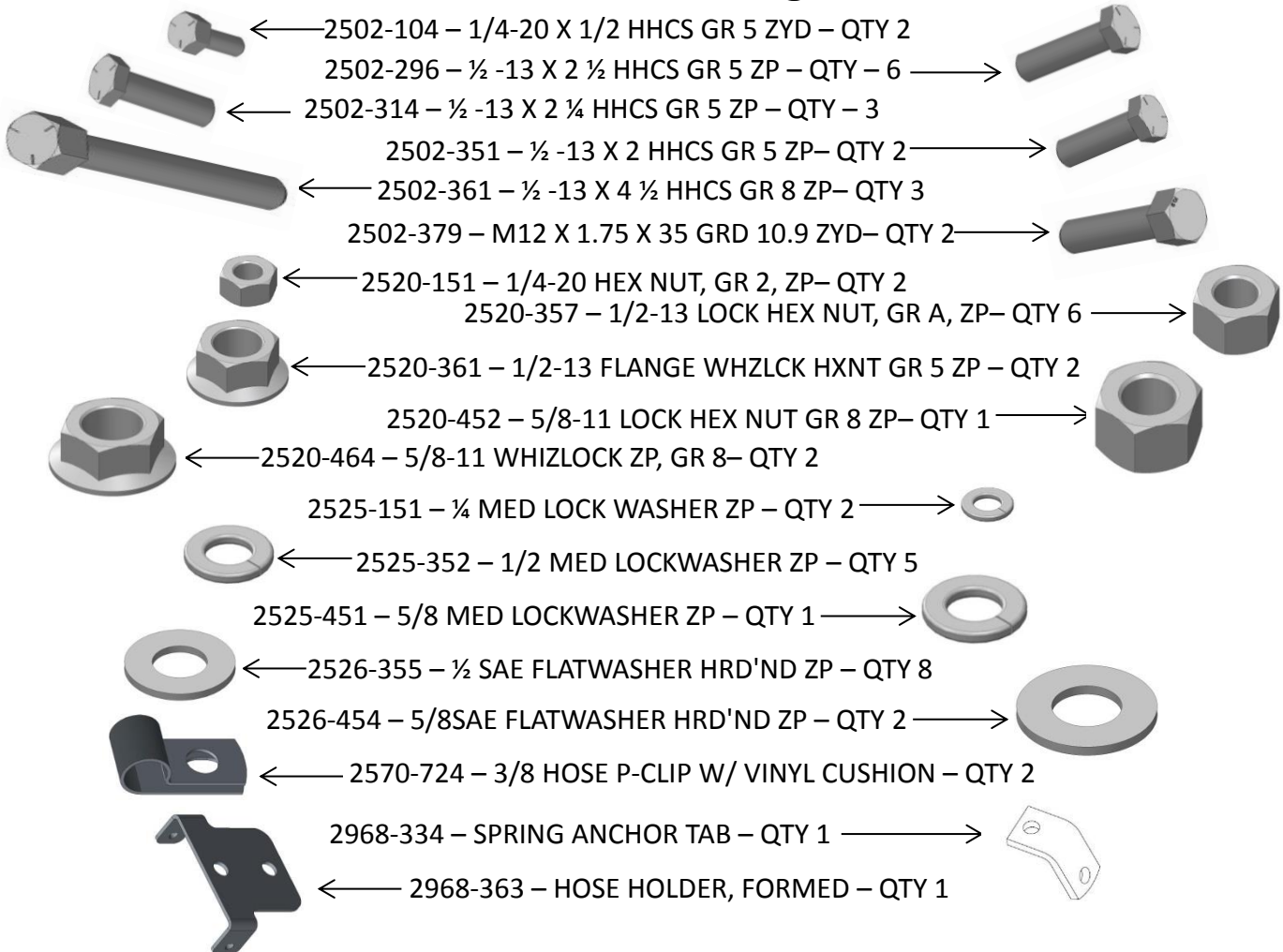
## 2968-159 Pictorial Parts List – Bolt Bag for 2968-041A



## 2968-159 Pictorial Parts List – Bolt Bag for 2968-041A CONT'D



## 2968-160 Pictorial Parts List – Bolt Bag for 2968-042A & 2968-043A



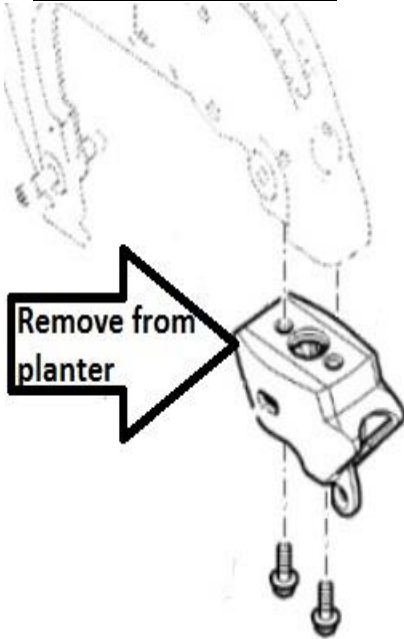


# INSTALLATION INSTRUCTIONS

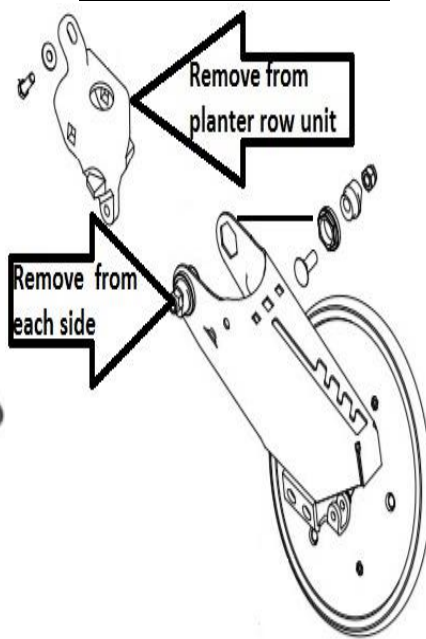
## Step 1: Remove OEM Tail Piece

Remove the V-Closing Wheel Tail Piece from the row unit.

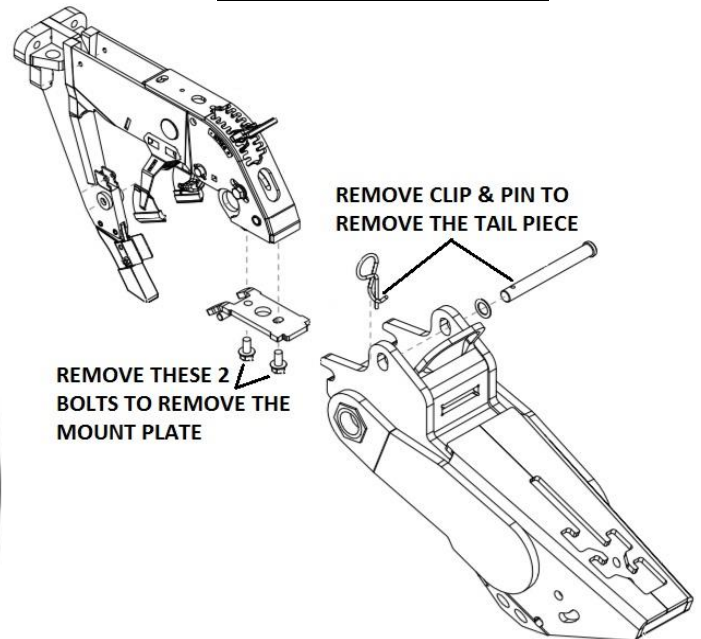
### JD 1700/7200/7300



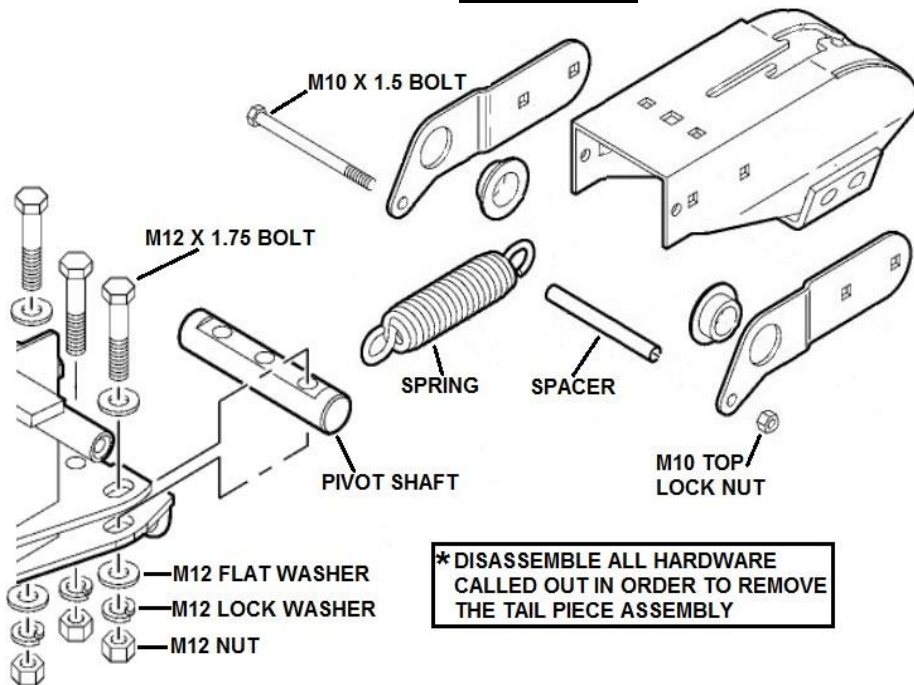
### Kinze/JD 7000/7100



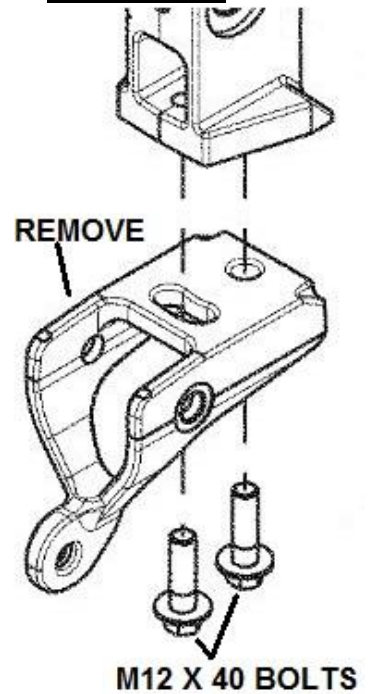
### Harvest International



### White 8000



### White 9000

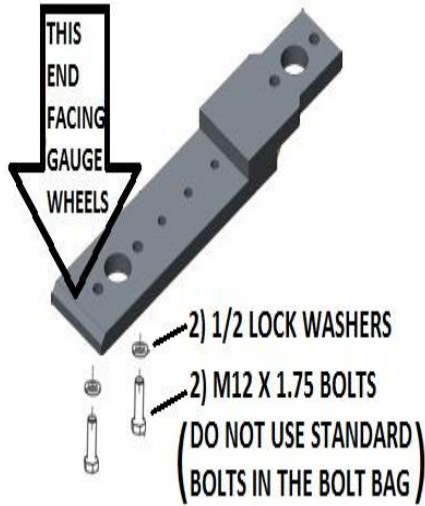


# INSTALLATION INSTRUCTIONS

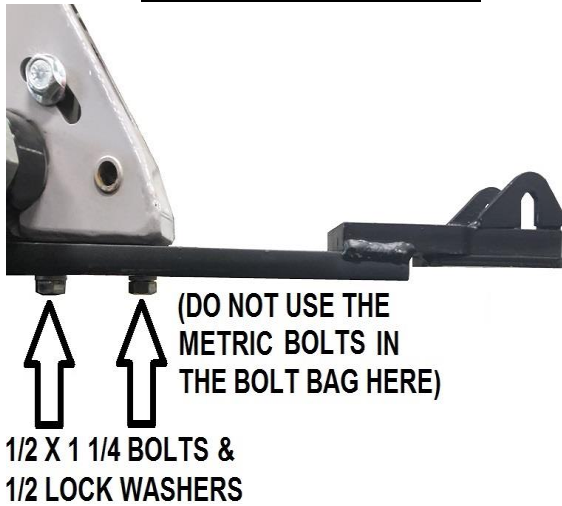
## Step 2: Fertilizer Mount Plate Installation

Install Fertilizer Mount Plate for the Yetter 2968 unit where the closing wheel tail piece was originally assembled.

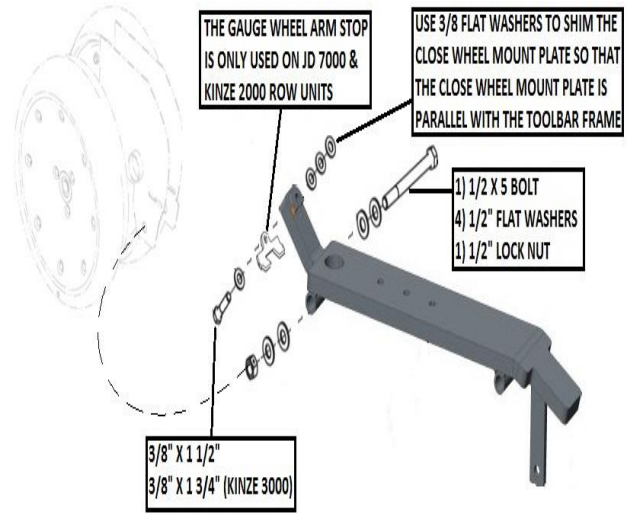
### JD 1700/7200/7300



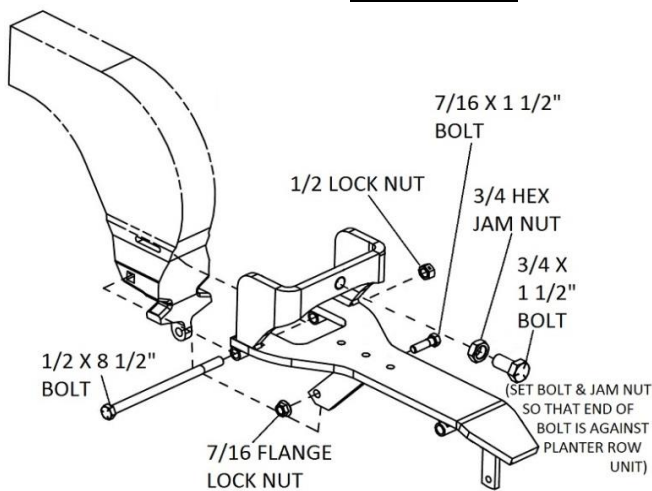
### Harvest International



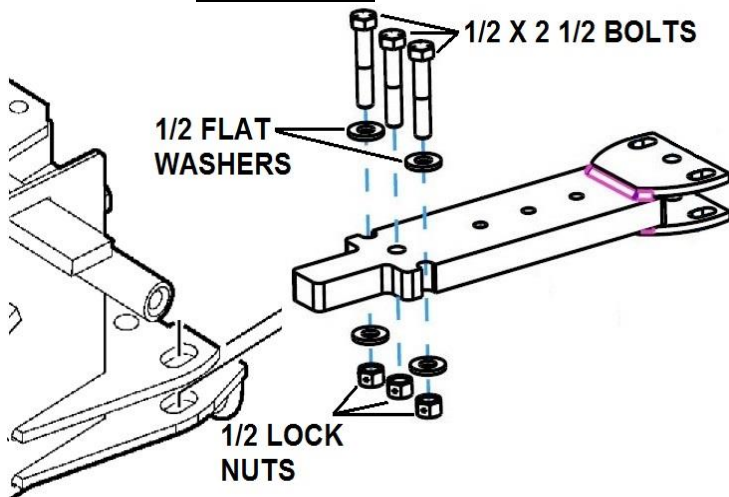
### JD 7000/7100/Kinze 2000 & 3000



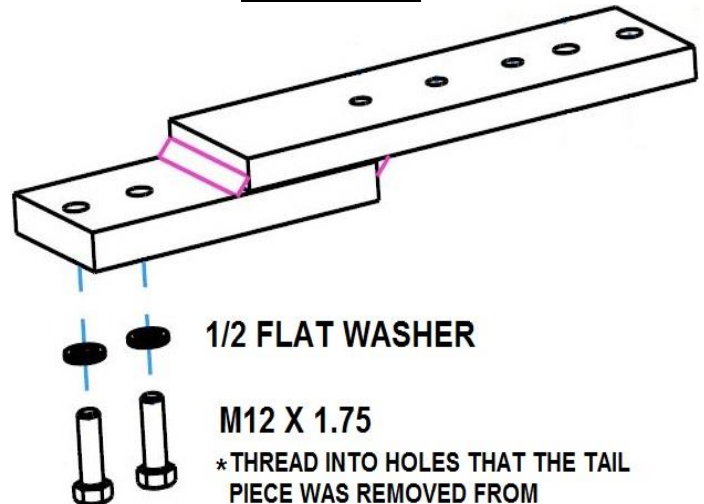
### Kinze 4900



### White 8000



### White 9000



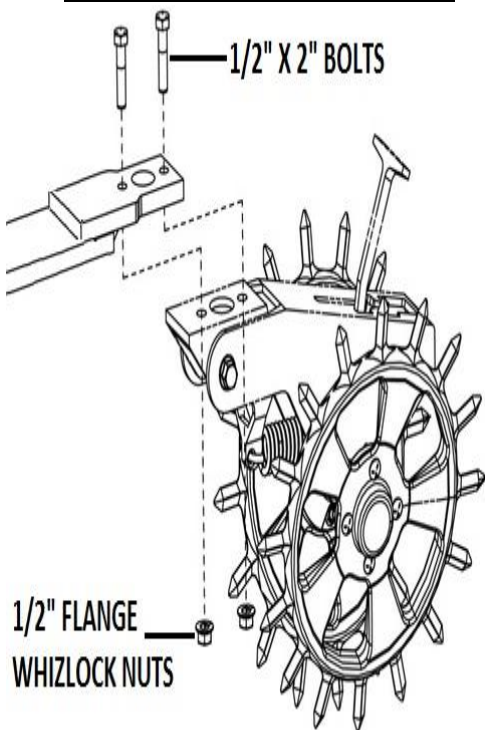


# INSTALLATION INSTRUCTIONS

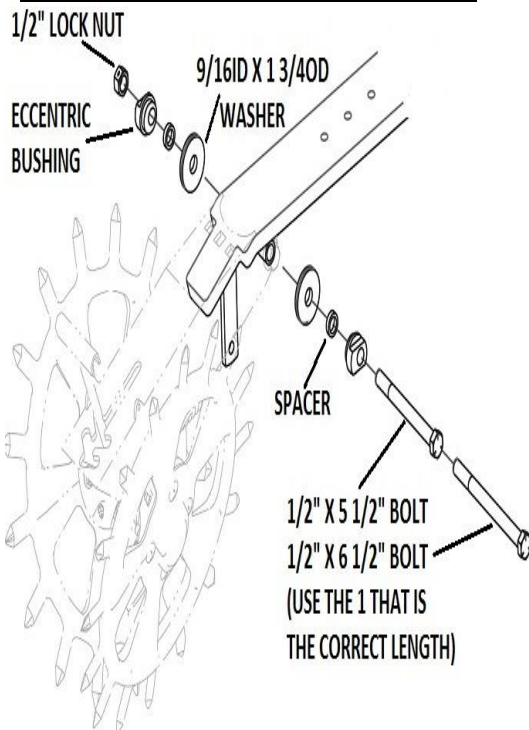
## Step 3: Attach Closing Wheel Assembly to Fertilizer Mount Plate

Attach V-Closing Wheel Tail Piece to the Fertilizer Mount Plate. Reattach the spring.

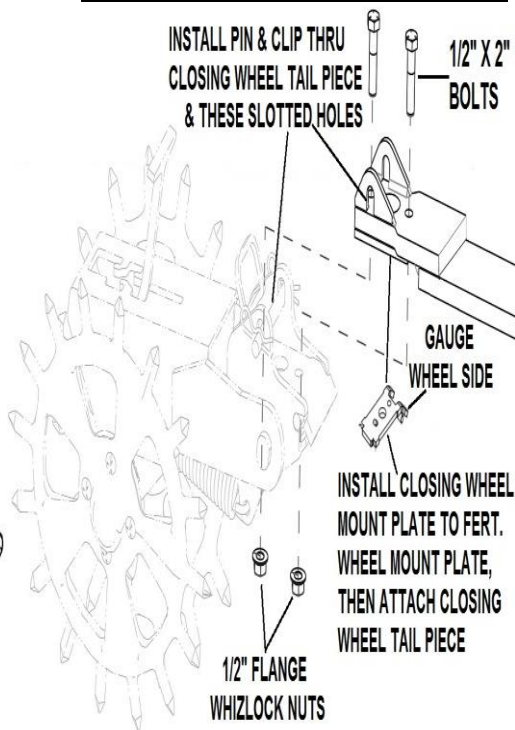
### JD 1700/7200/7300



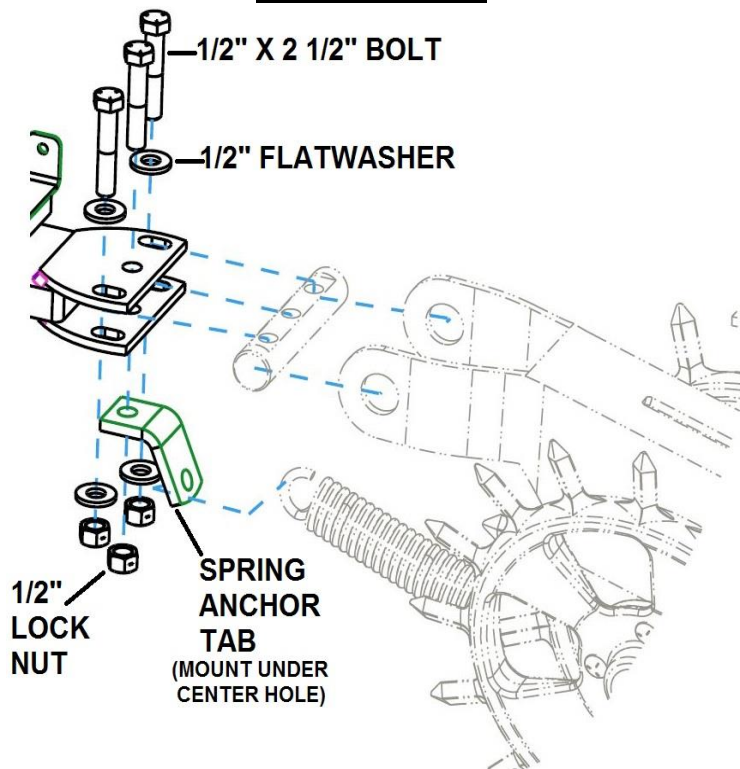
### All Kinze/JD 7000/7100



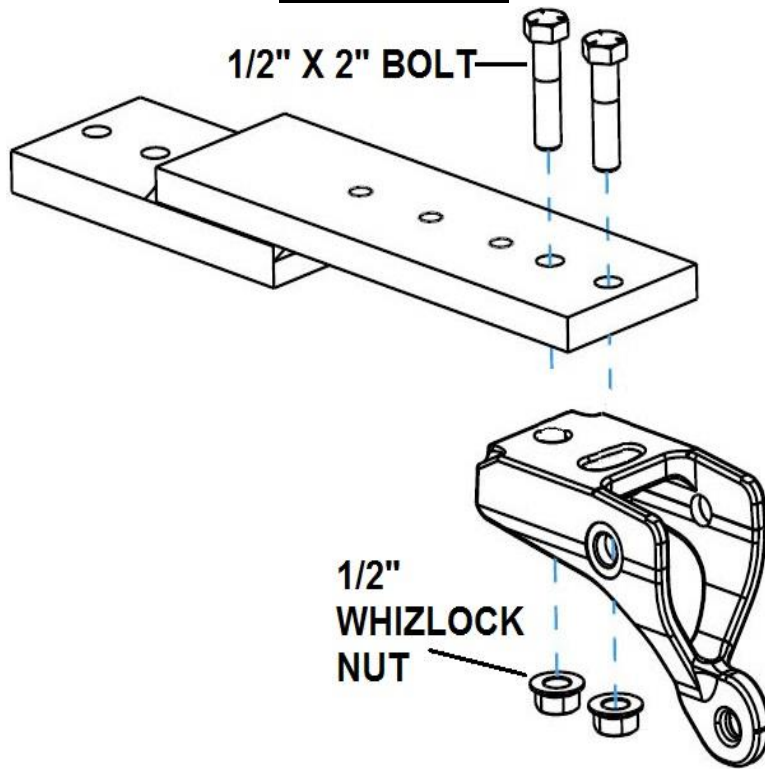
### Harvest International



### White 8000



### White 9000



# INSTALLATION INSTRUCTIONS

(2968-020A, 2968-021A, 2968-026A, & 2968-027A MODELS, SINGLE DISC)

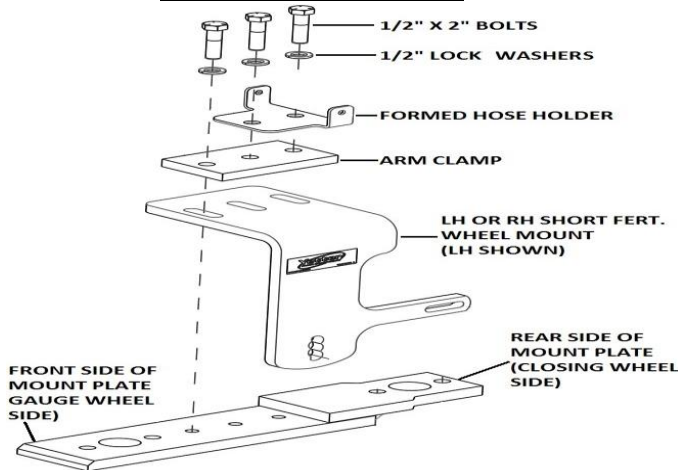
(IF INSTALLING 2968-040, 2968-041, 2968-044, OR 2968-045 DUAL DISC, SKIP TO 4B)

## Step 4A: Fertilizer Wheel Mount Assembly, Single

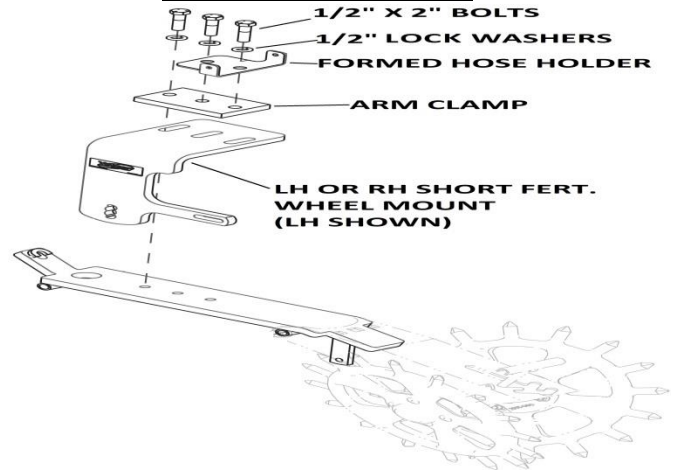
Install the 2968-470-LH or 2968-470-RH Short Fert. Wheel Mount, Arm Clamp, & Formed Hose Holder to the Fertilizer Mount Plate using 3) 1/2" X 2" Bolts & 3) 1/2" Lock Washers. White row units will use 3) 1/2" X 2 1/4" Bolts. **ALL PHOTOS BELOW SHOW LH UNIT INSTALLATION.**

**NOTE: DO NOT** tighten the 3) 1/2" X 2" (2 1/4" on White row units) Bolts until after the wheel are installed.

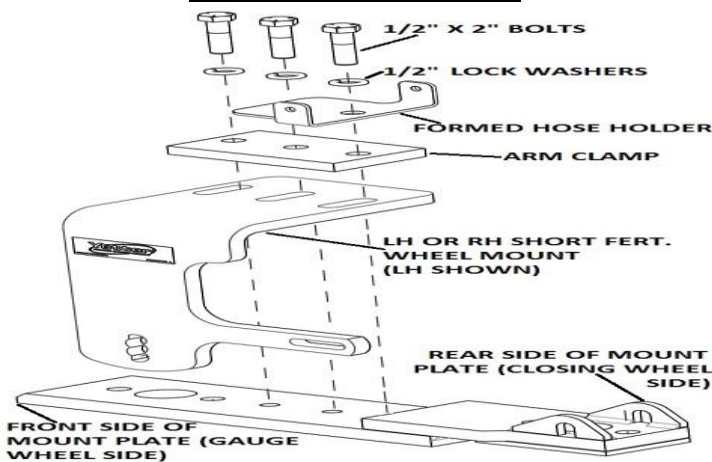
### JD 1700/7200/7300



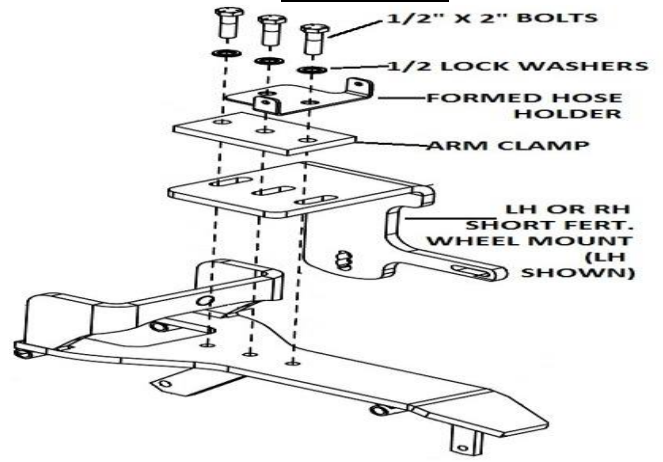
### Kinze/JD 7000/7100



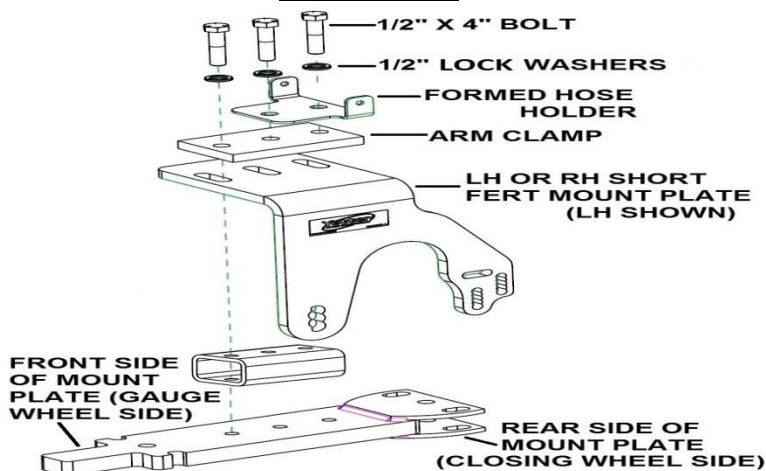
### Harvest International



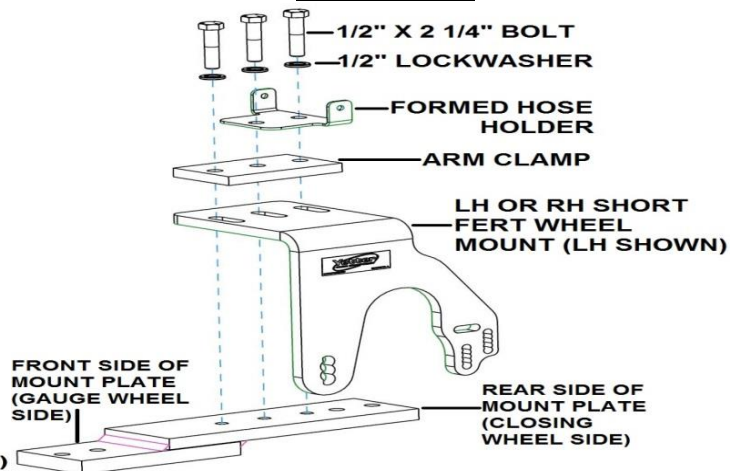
### Kinze 4900



### White 8000



### White 9000





# INSTALLATION INSTRUCTIONS

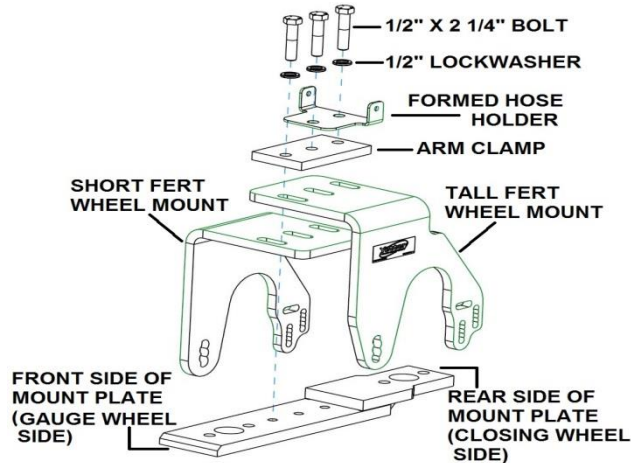
(2968-040A, 2968-041A, 2968-042A, 2968-043A, 2968-044A, & 2968-045 MODELS, DUAL DISC)

## Step 4B: Fertilizer Wheel Mount Assembly, Dual

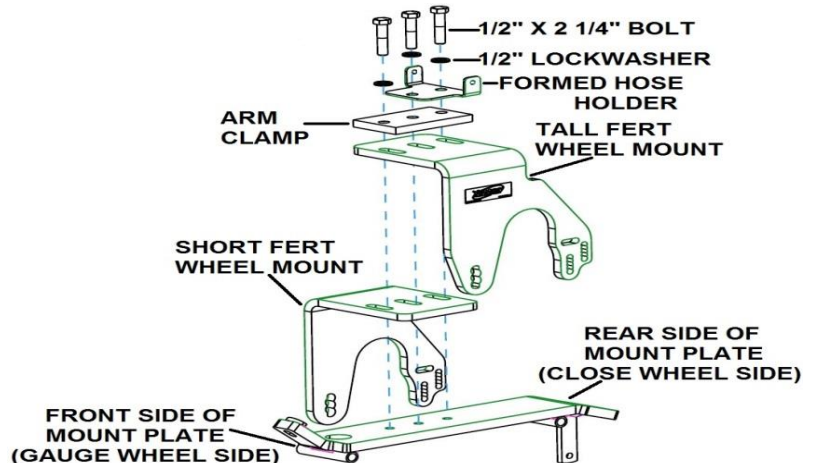
Install the 2968-359-RH L-Mount bracket, 2968-360 Tall L-Mount Bracket, Arm Clamp, & Formed Hose Holder to Fertilizer Mount Plate using 3) 1/2" X 2 1/4" Bolts & 3) 1/2" Lock Washers.

**NOTE:** DO NOT tighten the 3) 1/2" X 2 1/4" Bolts until after the wheel are installed.

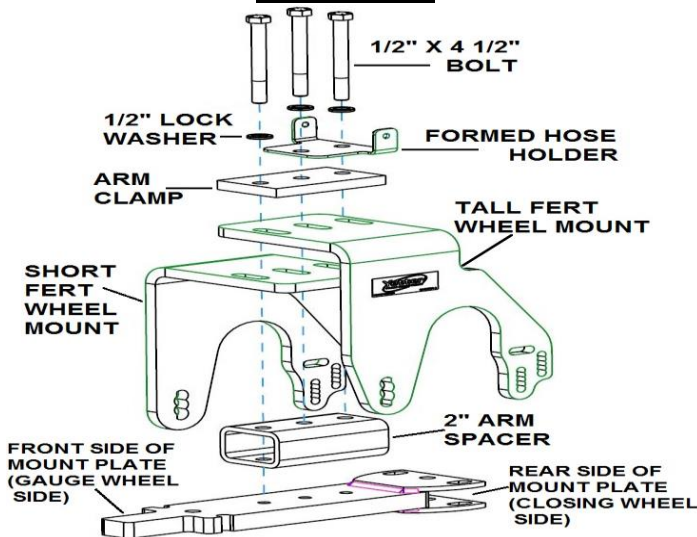
### JD 1700/7200/7300



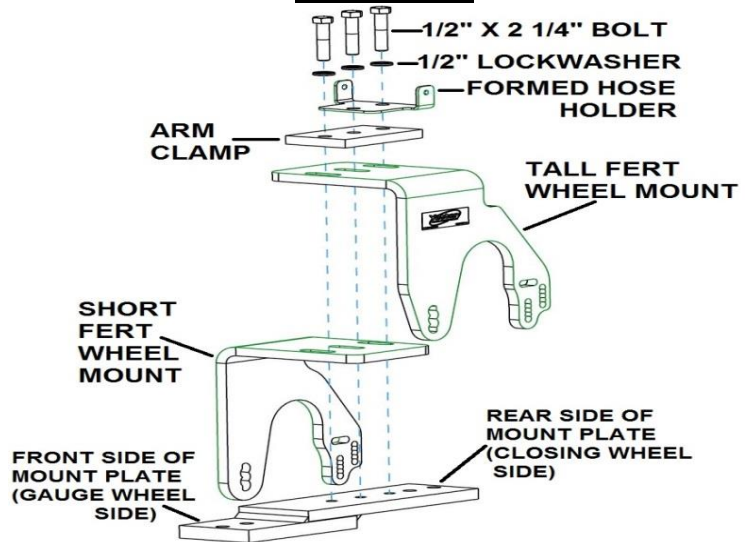
### Kinze/JD 7000/7100



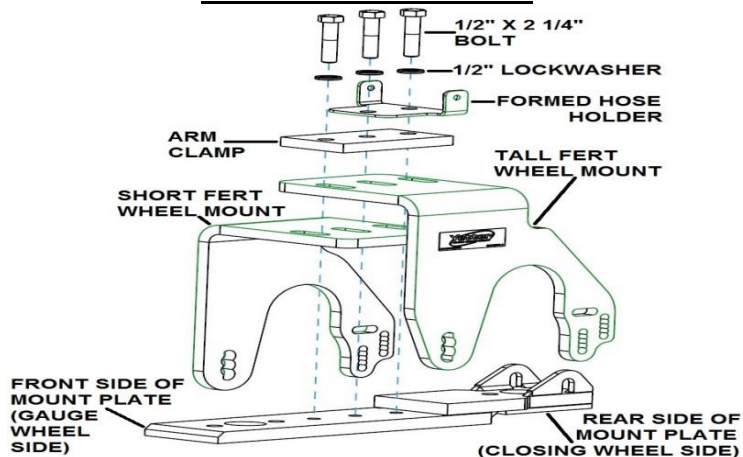
### White 8000



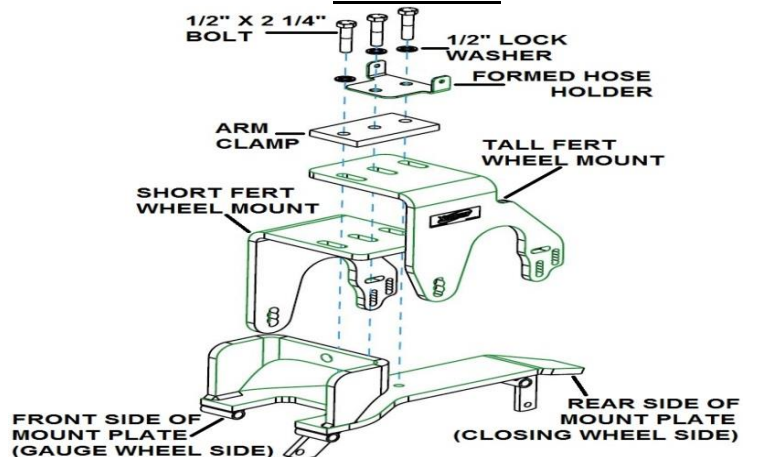
### White 9000



### Harvest International



### Kinze 4900



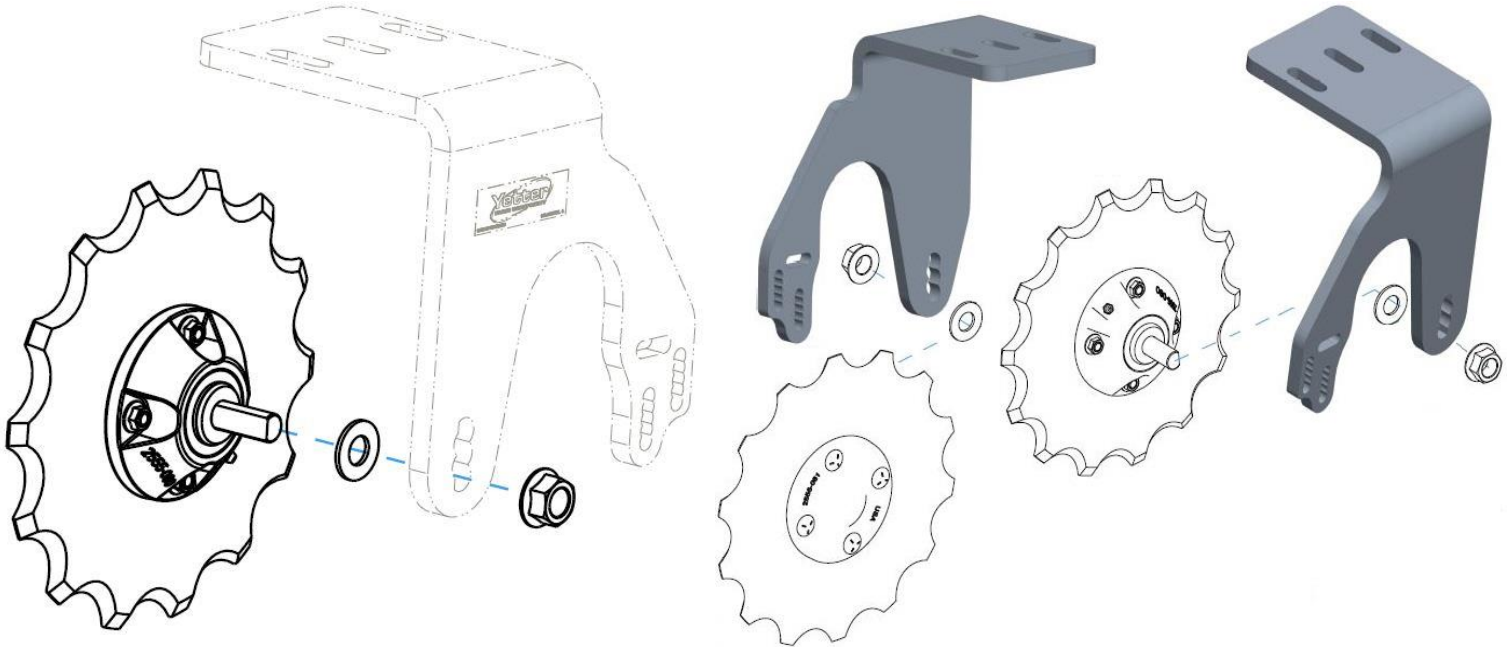
# INSTALLATION INSTRUCTIONS

## Step 5: Fertilizer Wheel Assembly

Place 1) 5/8" flat washer over the D-bolt & install the Fertilizer Wheel Assembly to Fertilizer Wheel Mount Plate & tighten 5/8" flange whiz lock nut. See [page 21](#) to determine which D-bolt hole to install the wheel assembly to achieve your desired depth.

### SINGLE WHEEL (LH Shown)

### DUAL WHEEL



## Step 6: Set the Fertilizer Wheel Assembly Width

Set each Fertilizer Wheel Assembly to the desired spacing off the row (2" – 3") & then tighten the 3) 1/2" bolts from **STEP 4**.

### SINGLE WHEEL

### DUAL WHEEL

### WHEEL ADJUSTMENT

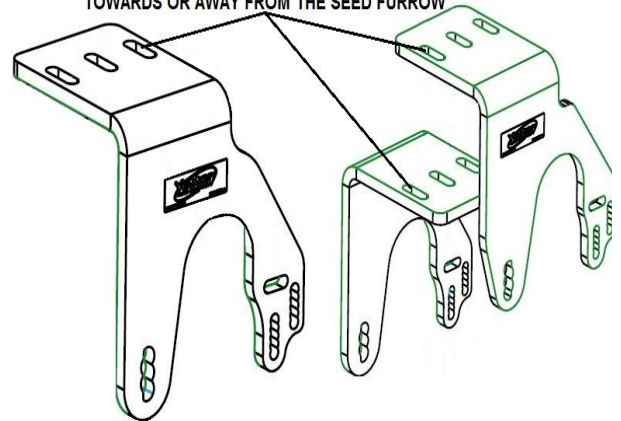
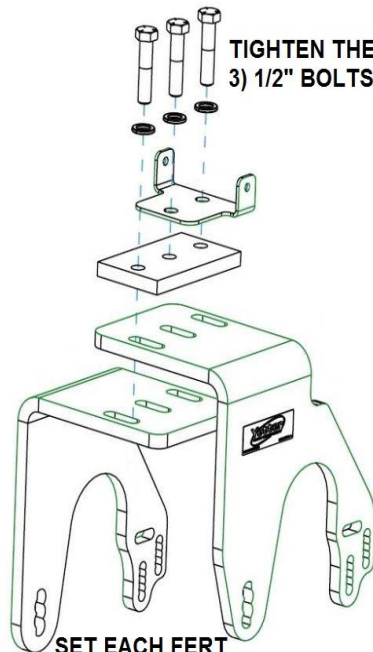
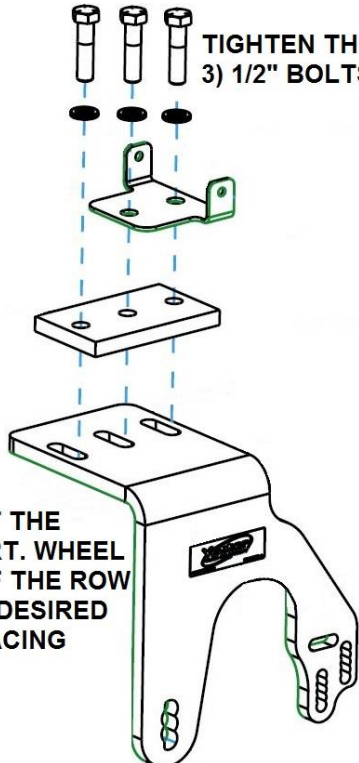
TIGHTEN THE  
3) 1/2" BOLTS

TIGHTEN THE  
3) 1/2" BOLTS

USE THE SLOTTED HOLES IN THE FERTILIZER  
WHEEL MOUNT TO ADJUST EACH BLADE  
TOWARDS OR AWAY FROM THE SEED FURROW

SET THE  
FERT. WHEEL  
OFF THE ROW  
TO DESIRED  
SPACING

SET EACH FERT  
WHEEL OFF THE  
ROW TO THE  
DESIRED SPACING



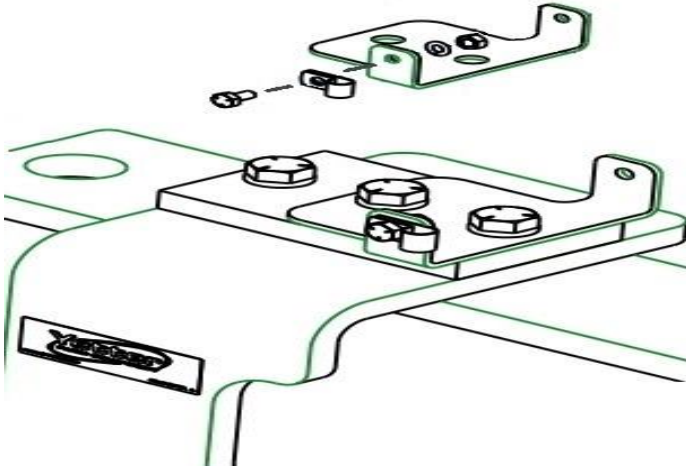


# INSTALLATION INSTRUCTIONS

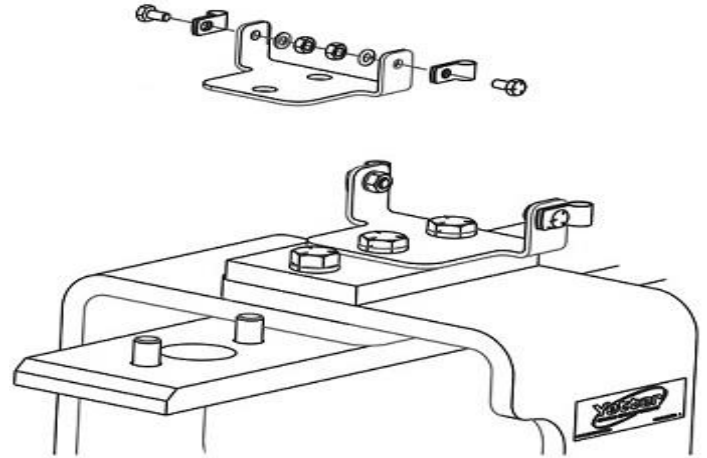
## STEP 7: P-Clip Installation

Install each P-Clip to the Formed Hose Holder using  $\frac{1}{4}$ " X  $\frac{1}{2}$ " bolts,  $\frac{1}{4}$ " lock washers, &  $\frac{1}{4}$ " hex nuts. A P-Clip should be placed on the side with blade for single wheel placement & on both sides for dual wheel placement.

### SINGLE WHEEL (LEFT SIDE SHOWN)

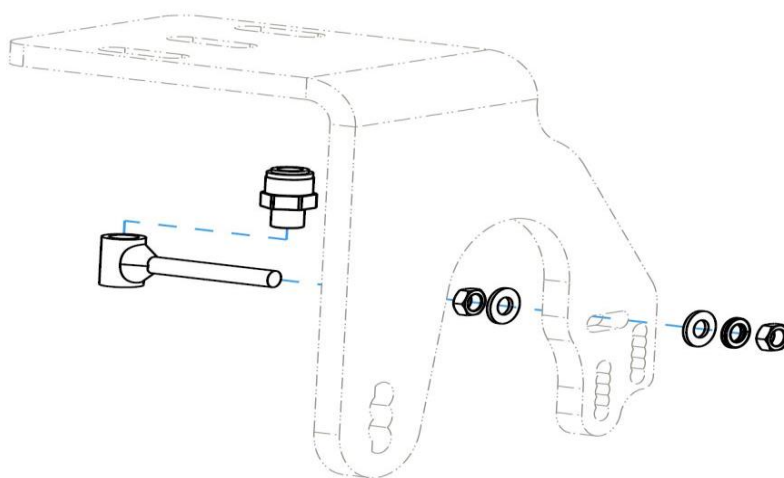


### DUAL WHEEL



## STEP 8A: INJECTOR INSTALLATION

Install each Injector Holder behind each blade. Thread a  $\frac{3}{8}$ " hex jam nut on the threaded rod roughly 2", place a  $\frac{3}{8}$ " flat washer over the threaded rod against the hex jam nut. Slide the threaded rod thru the horizontal slotted hole on the fertilizer wheel mount so that the threaded rod end is on the outside of the fertilizer wheel mount. Place a  $\frac{3}{8}$ " flat washer &  $\frac{3}{8}$ " lock washer over the end, & thread another  $\frac{3}{8}$ " hex jam nut. Before tightening, center the coupler behind the blade & point the bottom of the coupler slightly forward. Install the push connect fitting on the top side of the coupler if you wish to use it.



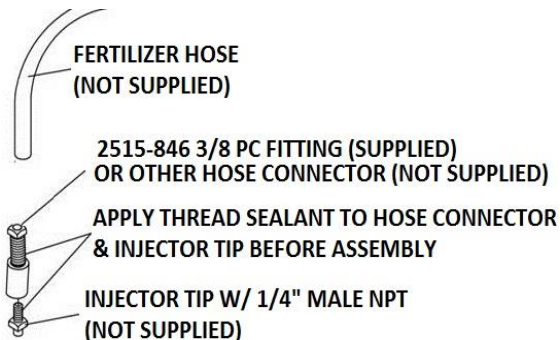
BLADE

WHEN HARDWARE FOR INJECTOR HOLDER IS TIGHTENED, THE COUPLER SHOULD BE CENTERED BEHIND THE BLADE



INJECTOR HOLDER

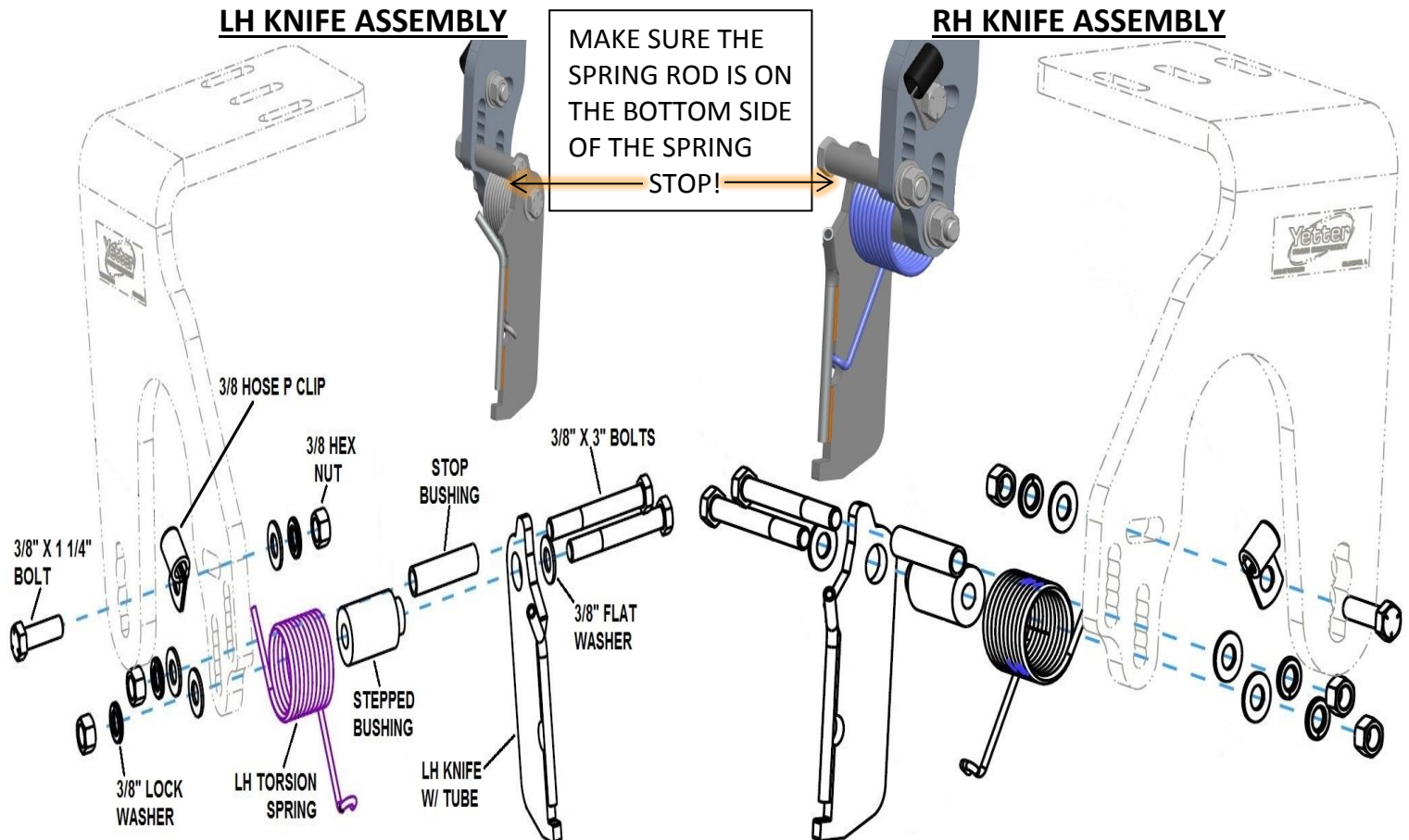
Assemble nozzle tip (not supplied) to each 2968-218 injector holder. Injector tips can be ordered through fertilizer equipment dealer. Calibrate the fertilizer pump and tips to **maximum recommended pressure of 30PSI and minimum 20PSI at the tip**. Attach the fertilizer hose to the top side of each coupler.



# INSTALLATION INSTRUCTIONS

## STEP 8B: REAR KNIFE INSTALLATION

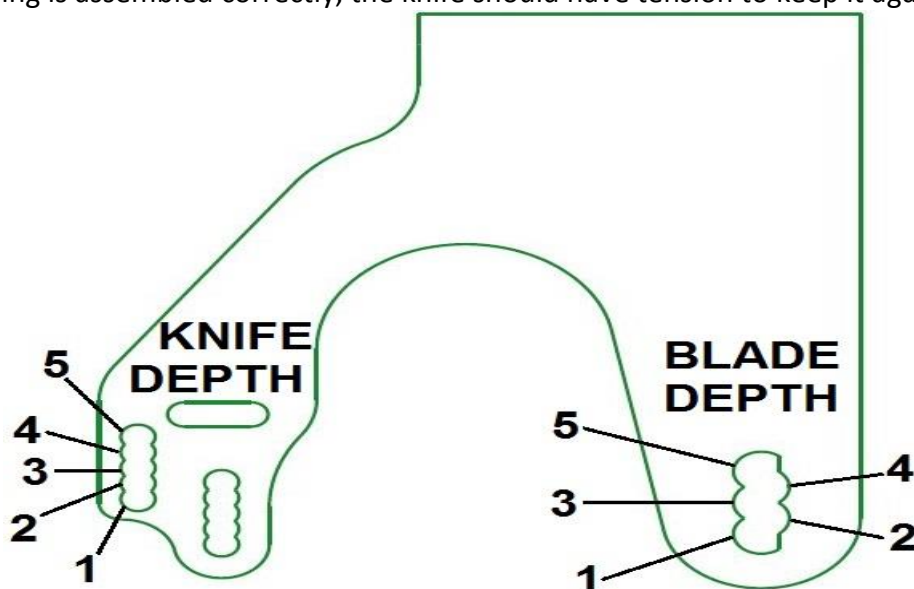
Assemble the 3/8 Hose P Clip to the horizontally slotted hole by placing the P Clip over the bolt threads, insert the 3/8" bolt thru the slotted hole, place a 3/8" flat washer & 3/8" lock washer over the bolt, & install a 3/8 hex nut. Insert 1) 3/8" X 3" bolt thru the stop bushing & insert the bolt thru 1 of the rear set of vertical holes that matches the blade. (If blade is in the 2<sup>nd</sup> hole from the bottom, the stop bolt/bushing needs to be in the 2<sup>nd</sup> hole from bottom) Place a 3/8" flat washer & lock washer over the bolt on the outside of the mount plate & hand tighten the 3/8" nut. Insert the hook on the spring onto the notch on the knife & place the stepped bushing thru the spring. Place 1) 3/8" flat washer over the remaining 3/8" X 3" bolt, insert bolt thru knife/stepped bushing, & insert bolt thru 1 of the front set of vertical holes that match the stop bolt/bushing. Make sure the spring wire stop is on the bottom side of the stop bushing. Once the bolt is in position, place a 3/8" flat washer & lock washer over the bolt & hand tighten the 3/8" nut. Make sure the stepped bushing goes thru the knife & then tighten all the hardware down from this step.





# OPERATION

- On dual fertilizer placement, the wheels are staggered front to back to keep the soil from heaving.
- Fertilizer can be placed 2" – 3" off the seed furrow. Please see your agronomist to determine best spacing on the rate that's being applied.
- Calibrate the fertilizer pump and tips to **maximum pressure of 30PSI and minimum 20PSI at the tip.**
- Residue managers are recommended if residue is present in planting conditions to eliminate hair pinning.
- Blade replacement is necessary when the depth cannot be achieved or the blade struggles to penetrate the soil.
- If there is buildup of damp soil on the planter gauge wheels or opener disks, then conditions are less than ideal & some problems may also be encountered with the fertilizer wheel.
- Seed depth will need rechecked after fertilizer unit installation.
- More row unit down force will be needed to maintain fertilizer wheel depth.
- The knife hole positions are ¼" shallower than the blade. For example, if using a 10" blade, the bottom hole setting on the blade will be ¼" deeper than bottom hole setting for the knife.
- When the knife/spring is assembled correctly, the knife should have tension to keep it against the down stop.



## BLADE DEPTH SETTINGS

<u>POSITION</u>	<u>DEPTH (USING 10" NOTCHED BLADE)</u>
1	5/8" BELOW DOUBLE DISC OPENERS
2	3/8" BELOW DOUBLE DISC OPENERS
3	1/8" BELOW DOUBLE DISC OPENERS
4	1/8" ABOVE DOUBLE DISC OPENERS
5	3/8" ABOVE DOUBLE DISC OPENERS

<u>POSITION</u>	<u>DEPTH (USING 11" NOTCHED BLADE)</u>
1	1 1/8" BELOW DOUBLE DISC OPENERS
2	7/8" BELOW DOUBLE DISC OPENERS
3	5/8" BELOW DOUBLE DISC OPENERS
4	3/8" BELOW DOUBLE DISC OPENERS
5	1/8" BELOW DOUBLE DISC OPENERS

## KNIFE DEPTH SETTINGS

<u>POSITION</u>	<u>KNIFE DEPTH</u>
1	3/8" BELOW DOUBLE DISC OPENERS
2	1/8" BELOW DOUBLE DISC OPENERS
3	1/8" ABOVE DOUBLE DISC OPENERS
4	3/8" ABOVE DOUBLE DISC OPENERS
5	5/8" ABOVE DOUBLE DISC OPENERS

# OPERATION

## LIQUID FERTILIZER APPLICATION RATE & PRESSURE CHART – TABLES BASED ON 30” NOZZLE SPACING

TIP #	LIQUID PRESSURE IN PSI	CAPACITY 1 NOZZLE IN GPM	GALLONS PER ACRE (USING WATER)					
			4 MPH H2O	5 MPH H2O	5.5 MPH H2O	6 MPH H2O	7 MPH H2O	8MPH H2O
#00015	20	0.11	5.45	4.36	3.96	3.63	3.11	2.72
	25	0.12	5.94	4.75	4.32	3.96	3.39	2.97
	30	0.13	6.44	5.15	4.68	4.29	3.68	3.22
	40	0.15	7.43	5.94	5.40	4.95	4.24	3.71
	50	0.17	8.42	6.73	6.12	5.61	4.81	4.21
	60	0.18	8.91	7.13	6.48	5.94	5.09	4.46
#0002	20	0.14	6.93	5.54	5.04	4.62	3.96	3.47
	25	0.16	7.92	6.34	5.76	5.28	4.53	3.96
	30	0.17	8.42	6.73	6.12	5.61	4.81	4.21
	40	0.20	9.90	7.92	7.20	6.60	5.66	4.95
	50	0.23	11.39	9.11	8.28	7.59	6.51	5.69
	60	0.25	12.38	9.90	9.00	8.25	7.07	6.19
#0003	20	0.21	10.40	8.32	7.56	6.93	5.94	5.20
	25	0.24	11.88	9.50	8.64	7.92	6.79	5.94
	30	0.26	12.87	10.30	9.36	8.58	7.35	6.44
	40	0.30	14.85	11.88	10.80	9.90	8.49	7.43
	50	0.34	16.83	13.46	12.24	11.22	9.62	8.42
	60	0.37	18.32	14.65	13.32	12.21	10.47	9.16
#0004	20	0.28	13.86	11.09	10.08	9.24	7.92	6.93
	25	0.32	15.84	12.67	11.52	10.56	9.05	7.92
	30	0.35	17.33	13.86	12.60	11.55	9.90	8.66
	40	0.40	19.80	15.84	14.40	13.20	11.31	9.90
	50	0.45	22.28	17.82	16.20	14.85	12.73	11.14
	60	0.49	24.26	19.40	17.64	16.17	13.86	12.13
#0005	20	0.35	17.33	13.86	12.60	11.55	9.90	8.66
	25	0.40	19.80	15.84	14.40	13.20	11.31	9.90
	30	0.43	21.29	17.03	15.48	14.19	12.16	10.64
	40	0.50	24.75	19.80	18.00	16.50	14.14	12.38
	50	0.56	27.72	22.18	20.16	18.48	15.84	13.86
	60	0.61	30.20	24.16	21.96	20.13	17.25	15.10
#0006	20	0.42	20.79	16.63	15.12	13.86	11.88	10.40
	25	0.47	23.27	18.61	16.92	15.51	13.29	11.63
	30	0.52	25.74	20.59	18.72	17.16	14.71	12.87
	40	0.60	29.70	23.76	21.60	19.80	16.97	14.85
	50	0.67	33.17	26.53	24.12	22.11	18.95	16.58
	60	0.74	36.63	29.30	26.364	24.42	20.93	18.32
#0008	20	0.57	28.22	22.57	20.52	18.81	16.12	14.11
	25	0.63	31.19	24.95	22.68	20.79	17.82	15.59
	30	0.69	34.16	27.32	24.84	22.77	19.52	17.08
	40	0.80	39.60	31.68	28.80	26.40	22.63	19.80
	50	0.89	44.06	35.24	32.04	29.37	25.17	22.03
	60	0.98	48.51	38.81	35.28	32.34	27.72	24.26
#0010	20	0.71	35.15	28.12	25.56	23.43	20.08	17.57
	25	0.79	39.11	31.28	28.44	26.07	22.35	19.55
	30	0.87	43.07	34.45	31.32	28.71	24.61	21.53
	40	1.00	49.50	39.60	36.00	33.00	28.29	24.75
	50	1.12	55.44	44.35	40.32	36.96	31.68	27.72
	60	1.23	60.89	48.71	44.28	40.59	34.79	30.44
#0015	20	1.06	52.47	41.98	38.16	34.98	29.98	26.24
	25	1.19	58.91	47.12	42.84	39.27	33.66	29.45
	30	1.30	64.35	51.48	46.80	42.90	36.77	32.18
	40	1.50	74.25	59.40	54.00	49.50	42.43	37.13
	50	1.68	83.16	66.53	60.48	55.44	47.52	41.58
	60	1.81	89.60	71.68	65.16	59.73	51.20	44.80

Row Spacing Multiplier
10" X 3.3
15" X 2.0
20" X 1.5
36" X .83
38" X .79
40" X .75

Values in this chart area based on using water. To calculate nozzle size required for your fertilizer application, the weight of the fertilizer solution must be accounted for by using a conversion factor for specific gravity. The Conversion factor for 28% liquid nitrogen is 1.13. Example: desired rate of application is 10 GPA of 28% N multiply 10 gallons per acre of fertilizer you want to apply x the conversion factor for 28% N (1.13) to get an equivalent rate for water. 10 x 1.13 refers to the chart for 11.13 gallons per acre at your desired speed/MPH.

**GPA** =  $\frac{5940 \times \text{GPM}}{\text{MPH} \times \text{W}}$   
 (Per Nozzle)

**H2O = WATER**  
**GPA = GALLON PER ACRE**  
**GPM = GALLON PER MINUTES**  
**MPH = MILES PER HOUR**  
**W = WIDTH**

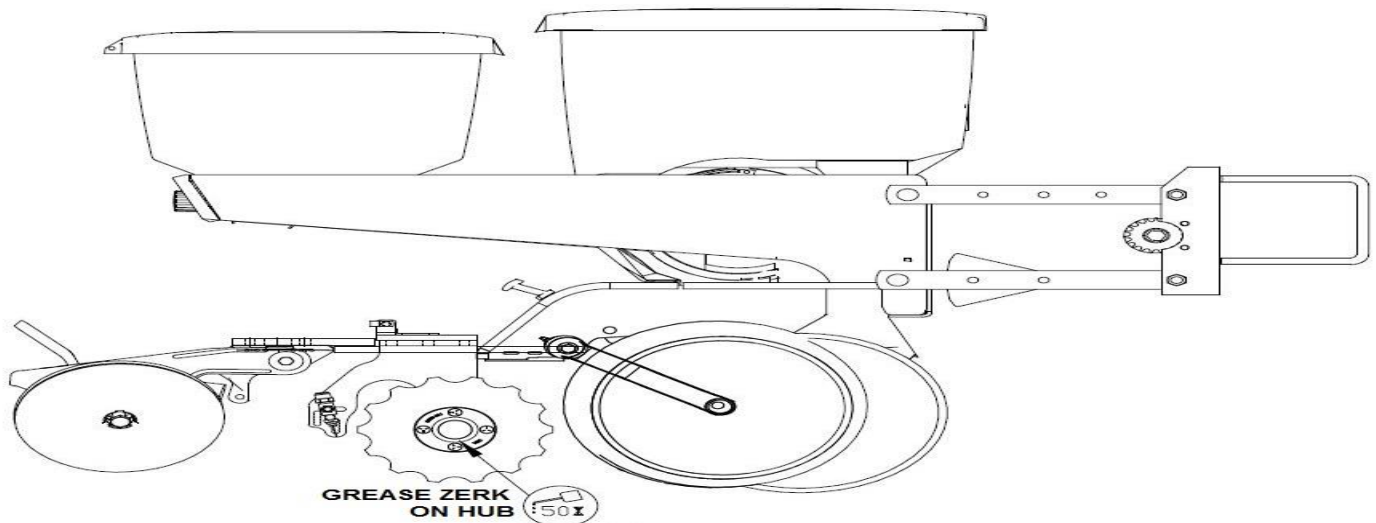
**SOLUTION**  
**28% = H2O/1.13**  
**32% = H2O/1.15**

This table is a reference only. Please calibrate your equipment to insure proper rate of application.

The information contained in this issue is offered in good faith by Yetter Mfg. Co. to further the understanding of liquid fertilizer application.

However, the use of the information provided is beyond the control of Yetter Mfg. Co. and in no case shall Yetter Mfg. Co. or any seller of its products be responsible for any damages that may occur from the use of this information.

# MAINTENANCE



**IMPORTANT:** If seal is removed from hub/bearing assembly, grease bearing Every 50 hours. If seal is left assembled, 2-3 pumps of grease twice a year, depending on acres, is sufficient to make sure the hub cavity is full.



**IMPORTANT:** For proper operation, the planter frame must operate level (fore, aft & side to side) and at the correct height, typically 20" -22".

Regularly inspect the residue manager for loose or worn parts. Repair and replace as needed.

## BEARING ASSEMBLY AND LUBRICATION

### Practice Safety

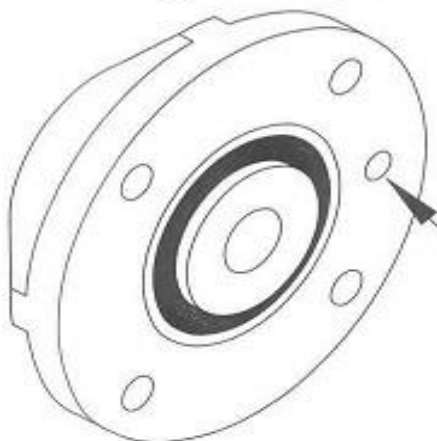
Understand and practice safe service procedures before doing work. Follow ALL the operating, maintenance and safety information in the equipment operator manual. Clear the area of bystanders, especially small children, when performing any maintenance or adjustments. Keep work area clean and dry. Use adequate lighting for the job. Use only tools, jacks and hoists of sufficient capacity for the job.

Never lubricate, service, or adjust machine while it is moving. Keep hands, feet, and clothing from power-driven moving and rotating parts. Disengage all power and operate controls to relieve pressure. Lower equipment to the ground and stop the engine. Remove the key. Wait for all moving parts to stop before servicing, adjusting, repairing or unplugging.

Securely support any machine elements with blocks or safety stands that must be raised for service work.

Keep all parts in good condition and properly installed. Fix damaged equipment immediately. Replace worn or broken parts. Remove any buildup of grease, oil, or debris.

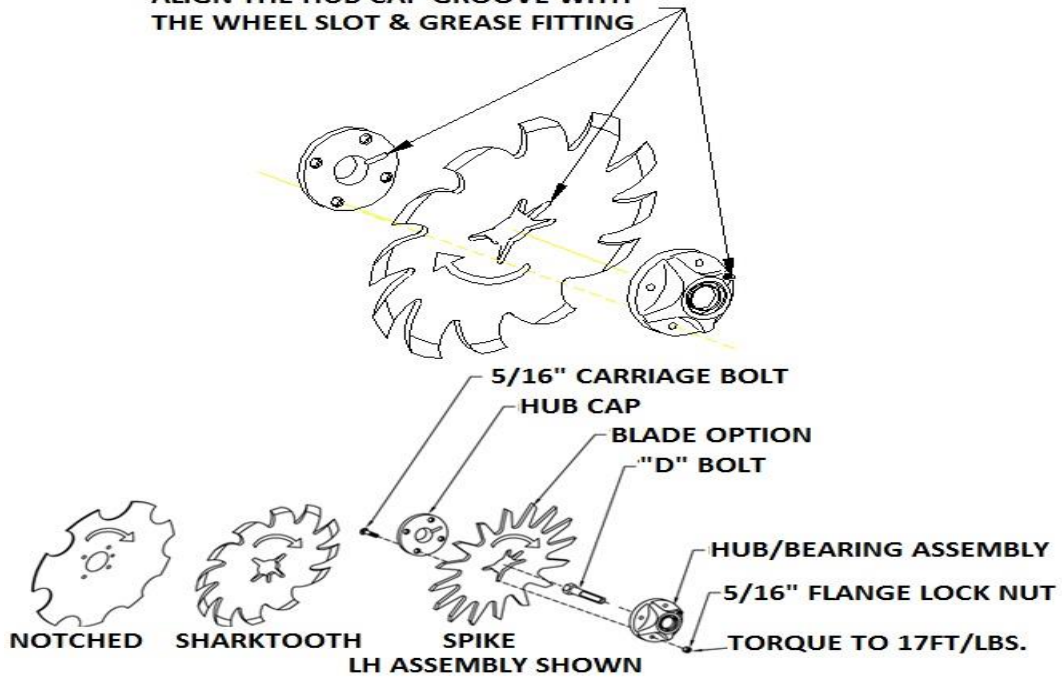
Make sure all guards are in place and properly secured when maintenance work is completed.



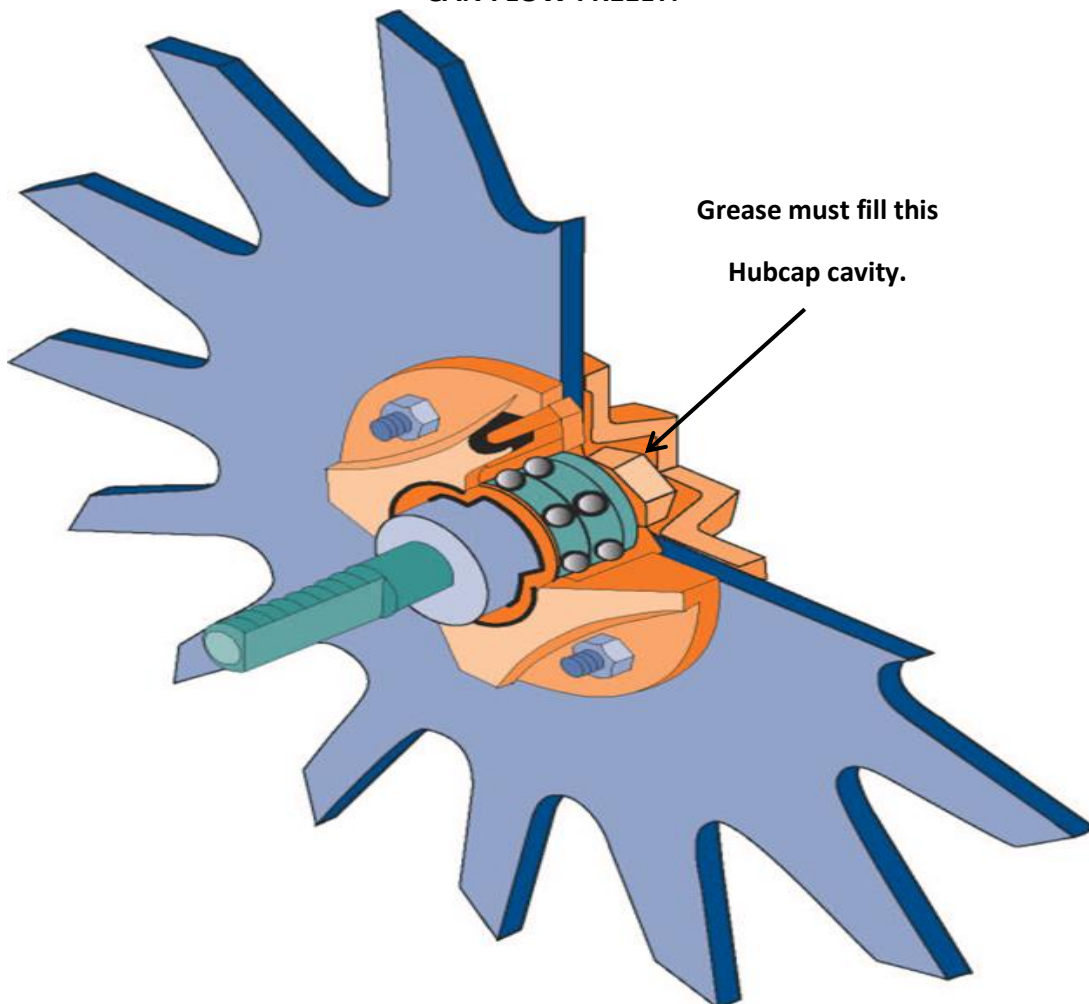
ALIGN GREASE FITTING HOLES.

# MAINTENANCE

ALIGN THE HUB CAP GROOVE WITH THE WHEEL SLOT & GREASE FITTING



**NOTE: BE CERTAIN TO ALIGN THE GREASE FITTING WITH THE SLOT IN THE WHEEL & HUBCAP SO THAT THE GREASE CAN FLOW FREELY.**



# MAINTENANCE

**CAUTION:** To help prevent serious injury/death to you or others caused by unexpected movement, service machine on a level surface. Lower machine to ground or sufficiently lock or block raised machine before servicing. If machine is connected to tractor, engage parking brake & place transmission in "PARK", shut off engine, & remove key. If machine is detached from tractor, block wheels & use shop stands to prevent movement.



**CAUTION: DO NOT CLEAN, LUBRICATE, OR ADJUST MACHINE WHILE IN MOTION**

Use grease based on NLGI consistency numbers & the expected air temperature range during the service interval. Use a **multi-purpose polyurea, water resistant, moderate speed, & NLGI grade #2** grease. Other greases may be used if they meet the following **NLGI Performance**.

**IMPORTANT:** Some types of grease thickener are not compatible with others. Consult your grease supplier before mixing different types of greases.

## Alternative Lubricants

Conditions in certain geographical areas may require special lubricants & lubrication practices which do not appear in the operator's manual. If there are any questions, consult Yetter Manufacturing Co. to obtain latest information & recommendation.

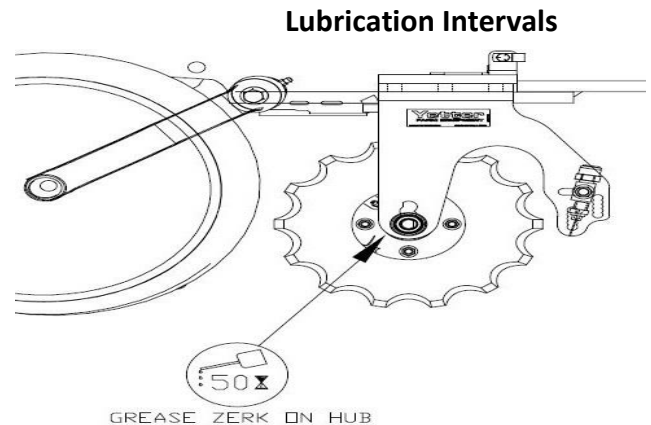
PART #	DESCRIPTION	OUNCES OF GREASE
2968-320	10" FERTILIZER WHEEL	1.12 OZ
2968-364	11" FERTILIZER WHEEL	1.12 OZ

## Storing Lubricants

Your machine can operate at top efficiency only if clean lubricants are used. Use clean containers to handle all lubricants. **Store them in an area protected from dust, moisture and other contaminants**

## LUBRICATION SYMBOLS

Lubricate with grease at hourly interval indicated on symbol if seal has been removed. If seal is left installed on hub/bearing assembly, apply 2 – 3 pumps of grease to each hub twice a season to keep cavity full.



**IMPORTANT:** The recommended service intervals are based on normal conditions; severe or unusual conditions may require more frequent lubrication. Perform each lubrication and service procedure at the beginning & end of each season. Clean grease fittings before using grease gun, to avoid injecting dirt & grit into the bearing. Replace any lost or broken fittings immediately. If a fitting fails to take grease, remove & clean thoroughly, replace fitting if necessary. Also check for failure of adjoining parts.

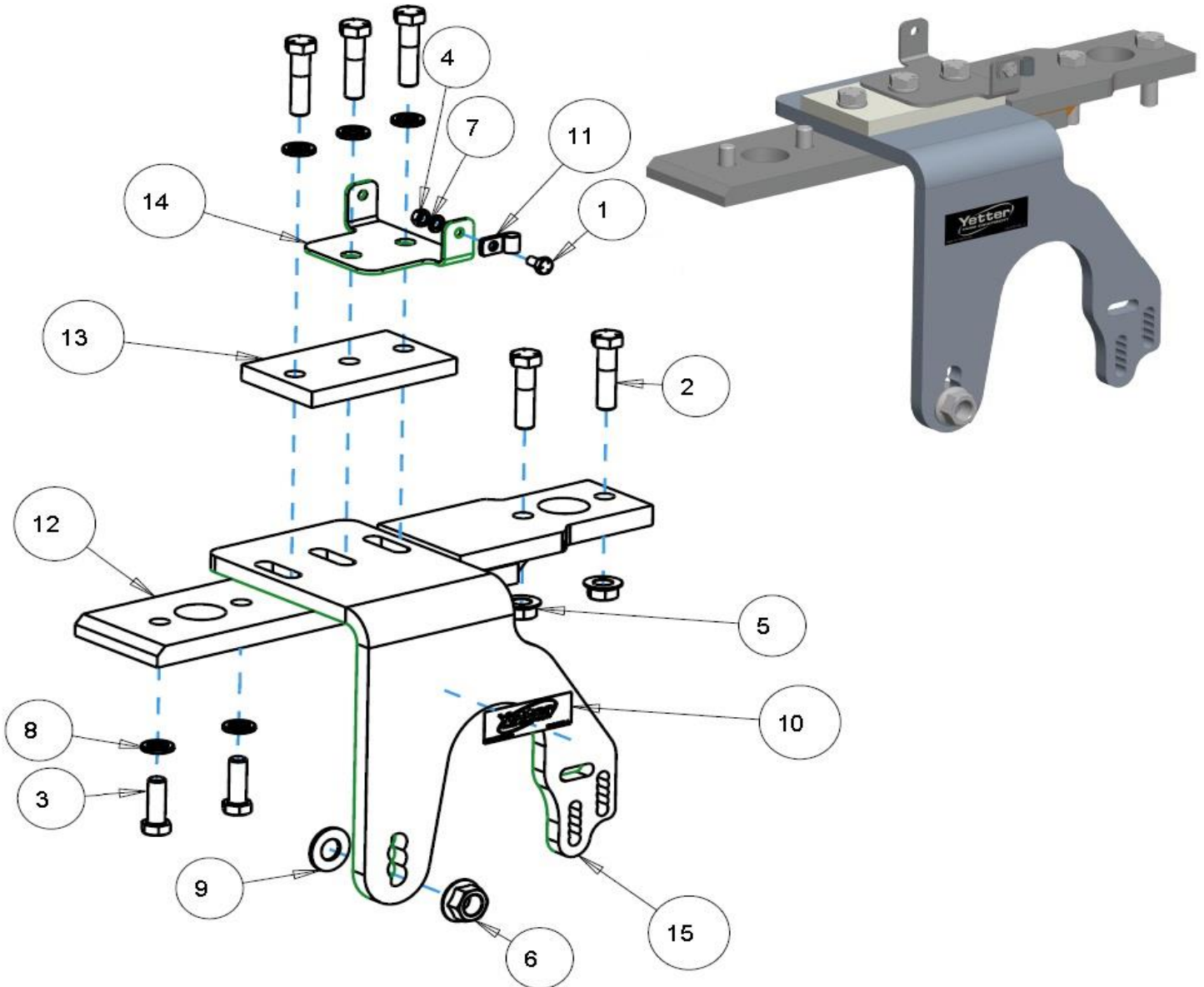
## BEARING REPLACEMENT INSTALLATION

1. When assembling the blade, bearing assembly and hubcap, be sure to align the grease transfer hole in the blade with the groove in the hubcap and hole in the hub to allow grease passage.
2. Assemble the blade, hubs and caps, tighten hardware.
3. Grease the blade/hub/bearing assembly.



# 2968-020B-L-LB PARTS IDENTIFICATION

FOR JD 1700, 7200, & 7300

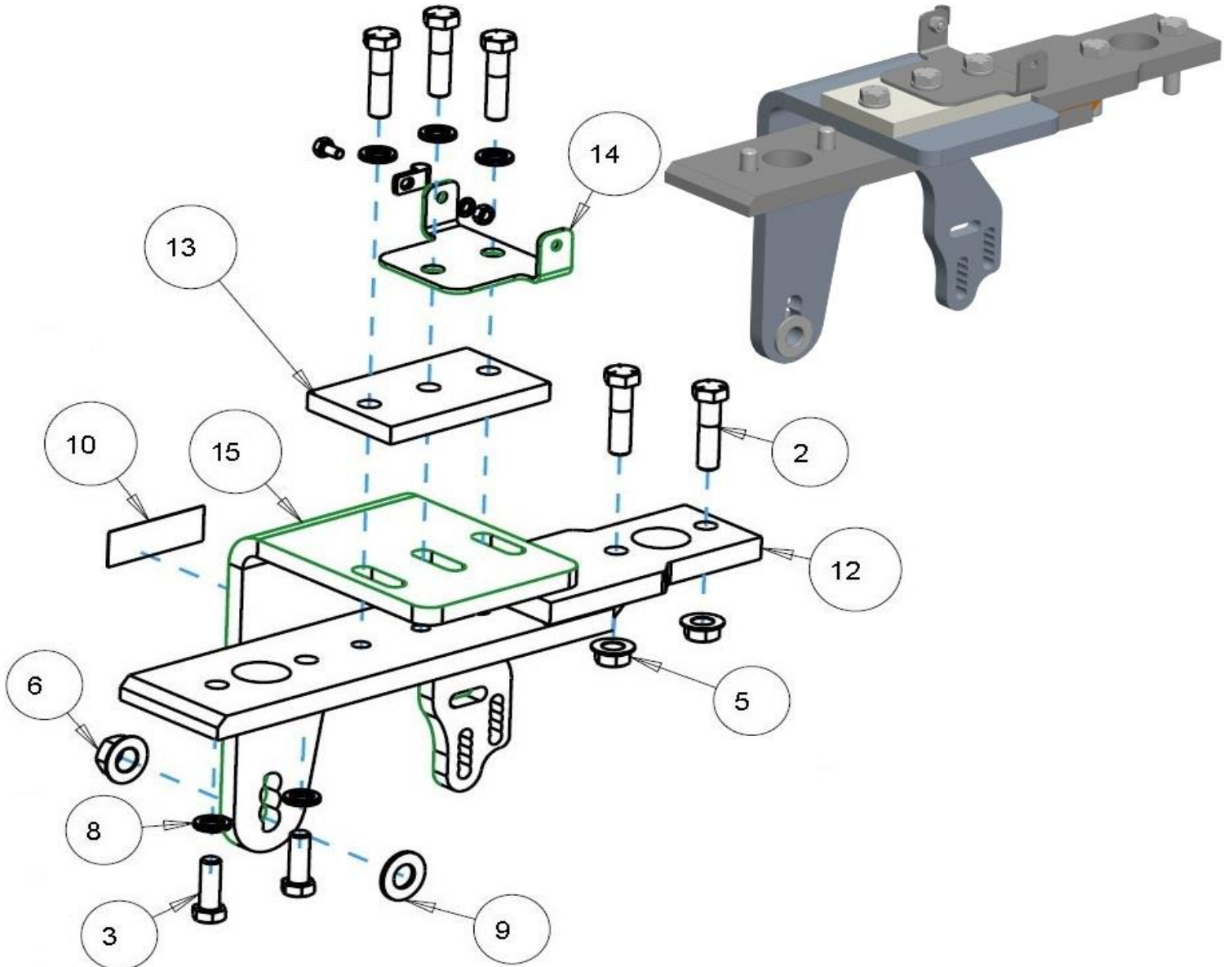


ITEM	PART #	DESCRIPTION	QTY
1	2502-104	¼ - 20 X ½ HHCS GR 5 ZYD	1
2	2502-351	½ - 13 X 2 HHCS GR 5 ZP	5
3	2502-379	M12 X 1.75 X 35 GRD 10.9 ZYD	2
4	2520-151	¼ - 20 HEX NUT ZP	1
5	2520-361	½ - 13 FLANGE WHIZ LOCK HEX NUT, GR 5, ZP	2
6	2520-464	5/8 - 11 WHIZ LOCK HEX NUT, GR 2, ZP	1
7	2525-151	¼ MEDIUM LOCK WASHER ZP	1
8	2525-352	½ MEDIUM LOCK WASHER ZP	5
9	2526-454	5/8 SAE FLAT WASHER HARDENED ZP	1
10	2565-179	YETTER DECAL	1
11	2570-724	3/8 HOSE P-CLIP WITH VINYL CUSHION	1
12	2968-222	FERTILIZER CLOSE WHEEL MOUNT W.A.	1
13	2968-361	ARM CLAMP	1
14	2968-363	FORMED HOSE HOLDER	1
15	2968-470-LH	LH SHORT FERTILIZER WHEEL MOUNT	1



# 2968-020B-R-LB PARTS IDENTIFICATION

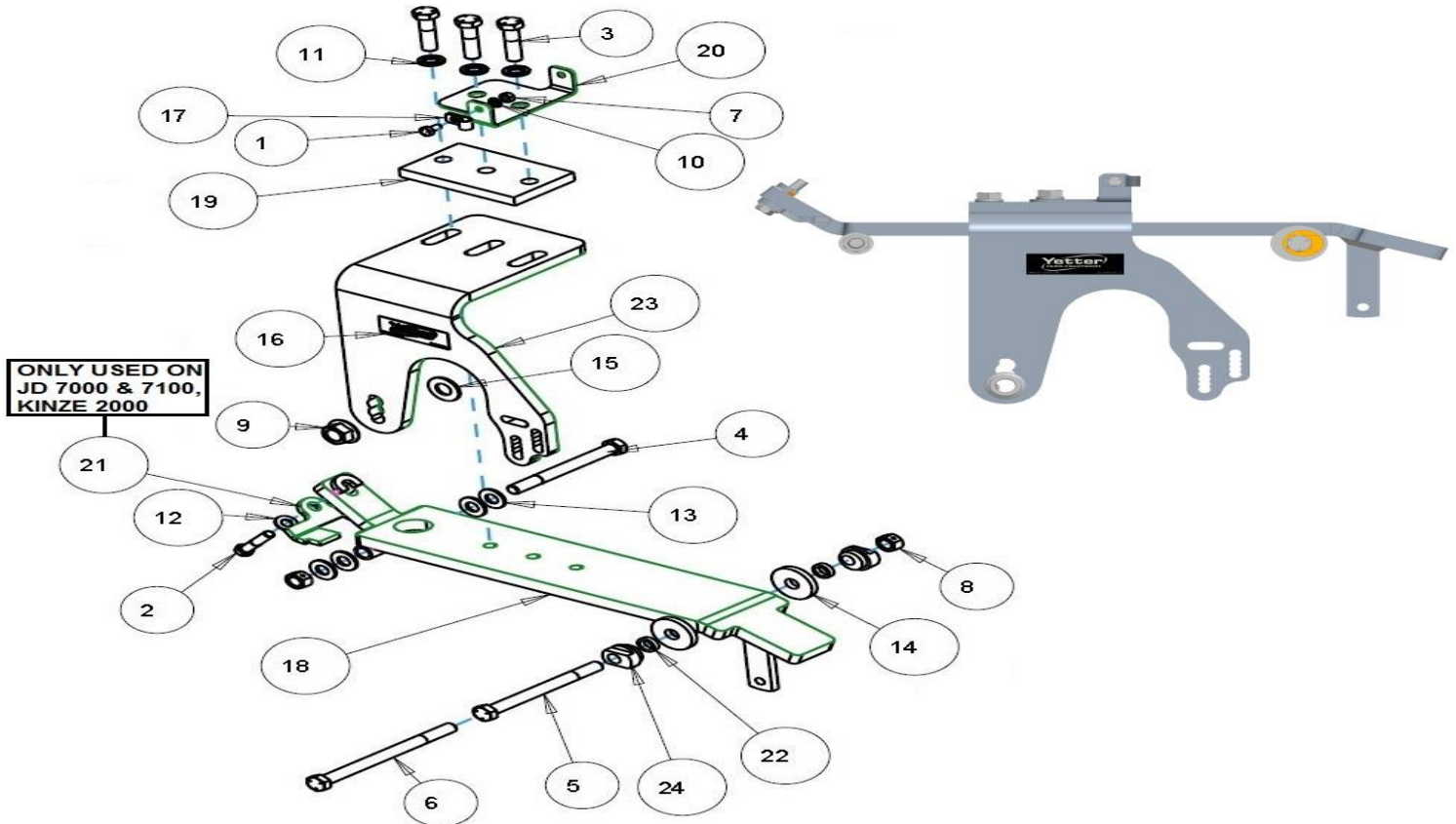
FOR JD 1700, 7200, & 7300



ITEM	PART #	DESCRIPTION	QTY
1	2502-104	¼ - 20 X ½ HHCS GR 5 ZYD	1
2	2502-351	½ - 13 X 2 HHCS GR 5 ZP	5
3	2502-379	M12 X 1.75 X 35 GRD 10.9 ZYD	2
4	2520-151	¼ - 20 HEX NUT ZP	1
5	2520-361	½ - 13 FLANGE WHIZ LOCK HEX NUT, GR 5, ZP	2
6	2520-464	5/8 - 11 WHIZ LOCK HEX NUT, GR 2, ZP	1
7	2525-151	¼ MEDIUM LOCK WASHER ZP	1
8	2525-352	½ MEDIUM LOCK WASHER ZP	5
9	2526-454	5/8 SAE FLAT WASHER HARDENED ZP	1
10	2565-179	YETTER DECAL	1
11	2570-724	3/8 HOSE P-CLIP WITH VINYL CUSHION	1
12	2968-222	FERTILIZER CLOSE WHEEL MOUNT W.A.	1
13	2968-361	ARM CLAMP	1
14	2968-363	FORMED HOSE HOLDER	1
15	2968-470-RH	RH SHORT FERTILIZER WHEEL MOUNT	1

# 2968-021B-L-LB PARTS IDENTIFICATION

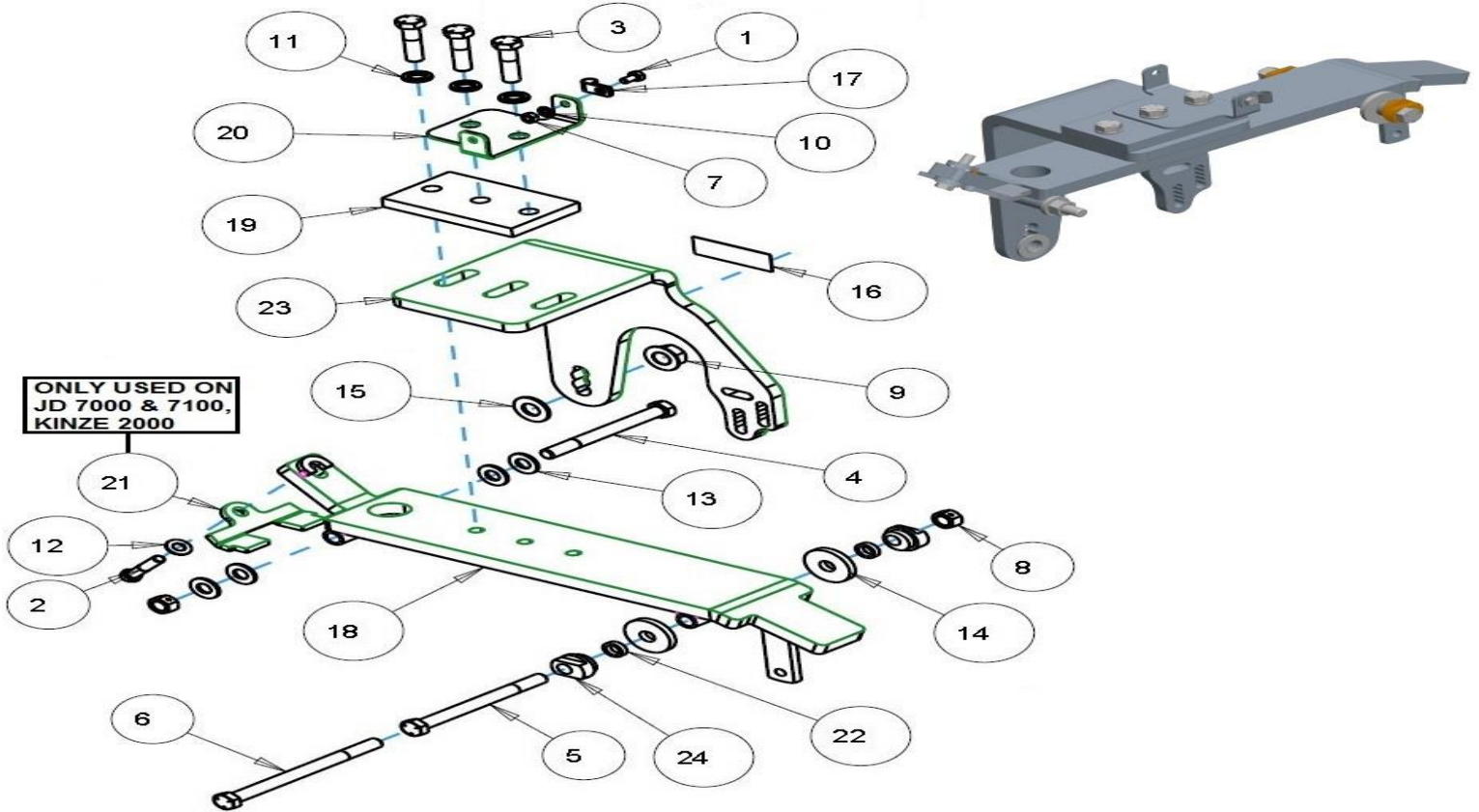
FOR JD 7000 & 7100, KINZE 2000 & 3000



ITEM	PART #	DESCRIPTION	QTY
1	2502-104	¼ - 20 X ½ HHCS GR 5 ZYD	1
2	2502-232	3/8 - 16 X 1 ½ HHCS GR 5 ZYD <b>(USED ON KINZE 3000)</b>	1
	2502-245	3/8 - 16 1 ¼ HHCS GR 5 ZP <b>(USED ON JD 7000 &amp; 7100, KINZE 2000)</b>	1
3	2502-351	½ - 13 X 2 HHCS GR 5 ZP	3
4	2502-362	½ - 13 X 5 HHCS GR 5 ZP	1
5	2502-368	½ - 13 X 5 ½ HHCS GR 5 ZP	1
6	2502-372	½ - 13 X 6 ½ HHCS GR 5 ZP	1
7	2520-151	¼ - 20 HEX NUT ZP	1
8	2520-357	½ - 13 LOCK HEX NUT, GR A, ZP	2
9	2520-464	5/8 - 11 WHIZ LOCK HEX NUT, GR 2, ZP	1
10	2525-151	¼ MEDIUM LOCK WASHER ZP	1
11	2525-352	½ MEDIUM LOCK WASHER ZP	3
12	2526-253	3/8 SAE FLAT WASHER ZP	1
13	2526-352	½ SAE FLAT WASHER ZP	4
14	2526-402	9/16ID X 1 ¾OD X 1/4MB ZP	2
15	2526-454	5/8 SAE FLAT WASHER HARDENED ZP	1
16	2565-179	YETTER DECAL	1
17	2570-724	3/8 HOSE P-CLIP WITH VINYL CUSHION	1
18	2968-223	FERTILIZER CLOSE WHEEL MOUNT W.A.	1
19	2968-361	ARM CLAMP	1
20	2968-363	FORMED HOSE HOLDER	1
21	2968-370	GAUGE WHEEL ARM STOP <b>(ONLY USED ON JD 7000 &amp; 7100, KINZE 2000)</b>	1
22	2968-373	SPACER	2
23	2968-470-LH	SHORT FERT. WHEEL MOUNT, LH	1
24	6000-523	ECCENTRIC BUSHING CLOSE WHEEL	2

# 2968-021B-R-LB PARTS IDENTIFICATION

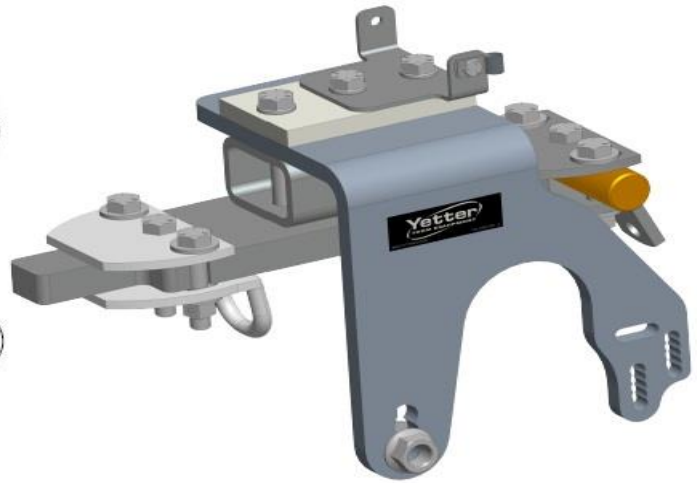
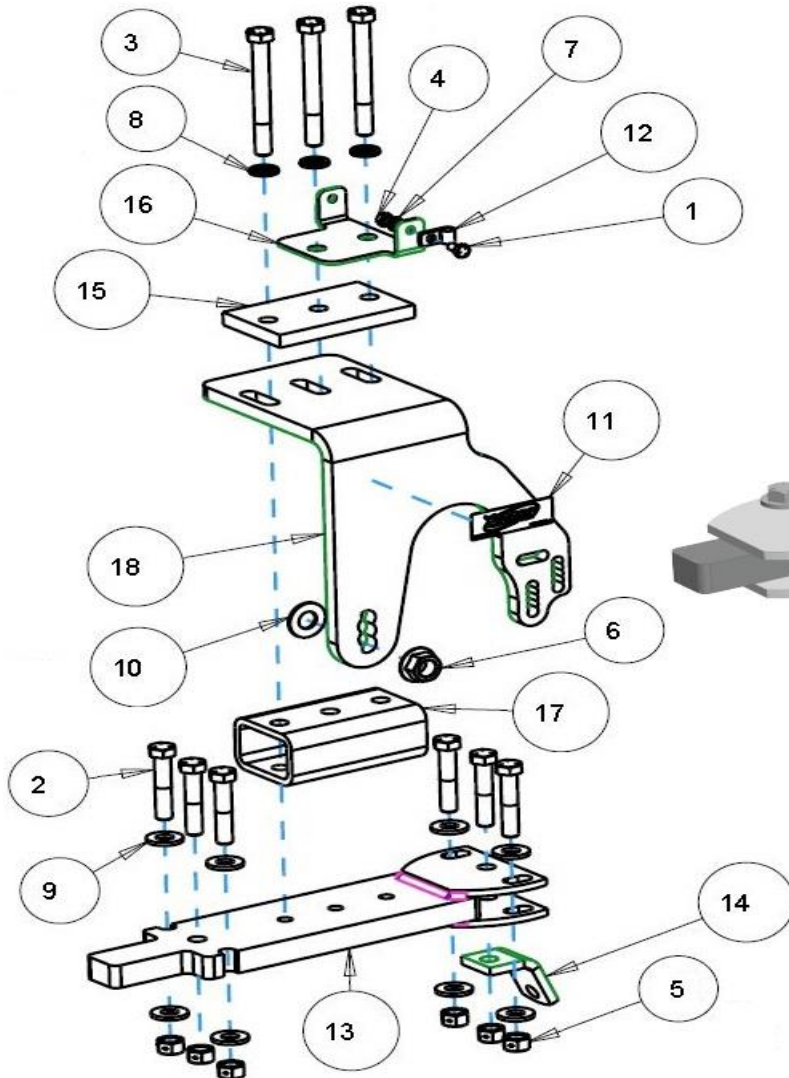
FOR JD 7000 & 7100, KINZE 2000 & 3000



ITEM	PART #	DESCRIPTION	QTY
1	2502-104	¼ - 20 X ½ HHCS GR 5 ZYD	1
2	2502-232	3/8 - 16 X 1 ½ HHCS GR 5 ZYD <b>(USED ON KINZE 3000)</b>	1
	2502-245	3/8 - 16 1 ¼ HHCS GR 5 ZP <b>(USED ON JD 7000 &amp; 7100, KINZE 2000)</b>	1
3	2502-351	½ - 13 X 2 HHCS GR 5 ZP	3
4	2502-362	½ - 13 X 5 HHCS GR 5 ZP	1
5	2502-368	½ - 13 X 5 ½ HHCS GR 5 ZP	1
6	2502-372	½ - 13 X 6 ½ HHCS GR 5 ZP	1
7	2520-151	¼ - 20 HEX NUT ZP	1
8	2520-357	½ - 13 LOCK HEX NUT, GR A, ZP	2
9	2520-464	5/8 - 11 WHIZ LOCK HEX NUT, GR 2, ZP	1
10	2525-151	¼ MEDIUM LOCK WASHER ZP	1
11	2525-352	½ MEDIUM LOCK WASHER ZP	3
12	2526-253	3/8 SAE FLAT WASHER ZP	1
13	2526-352	½ SAE FLAT WASHER ZP	4
14	2526-402	9/16ID X 1 ¾OD X 1/4MB ZP	2
15	2526-454	5/8 SAE FLAT WASHER HARDENED ZP	1
16	2565-179	YETTER DECAL	1
17	2570-724	3/8 HOSE P-CLIP WITH VINYL CUSHION	1
18	2968-223	FERTILIZER CLOSE WHEEL MOUNT W.A.	1
19	2968-361	ARM CLAMP	1
20	2968-363	FORMED HOSE HOLDER	1
21	2968-370	GAUGE WHEEL ARM STOP <b>(ONLY USED ON JD 7000 &amp; 7100, KINZE 2000)</b>	1
22	2968-373	SPACER	2
23	2968-470-RH	SHORT FERT. WHEEL MOUNT, RH	1
24	6000-523	ECCENTRIC BUSHING CLOSE WHEEL	2

# 2968-022B-L-LB PARTS IDENTIFICATION

WHITE 8000

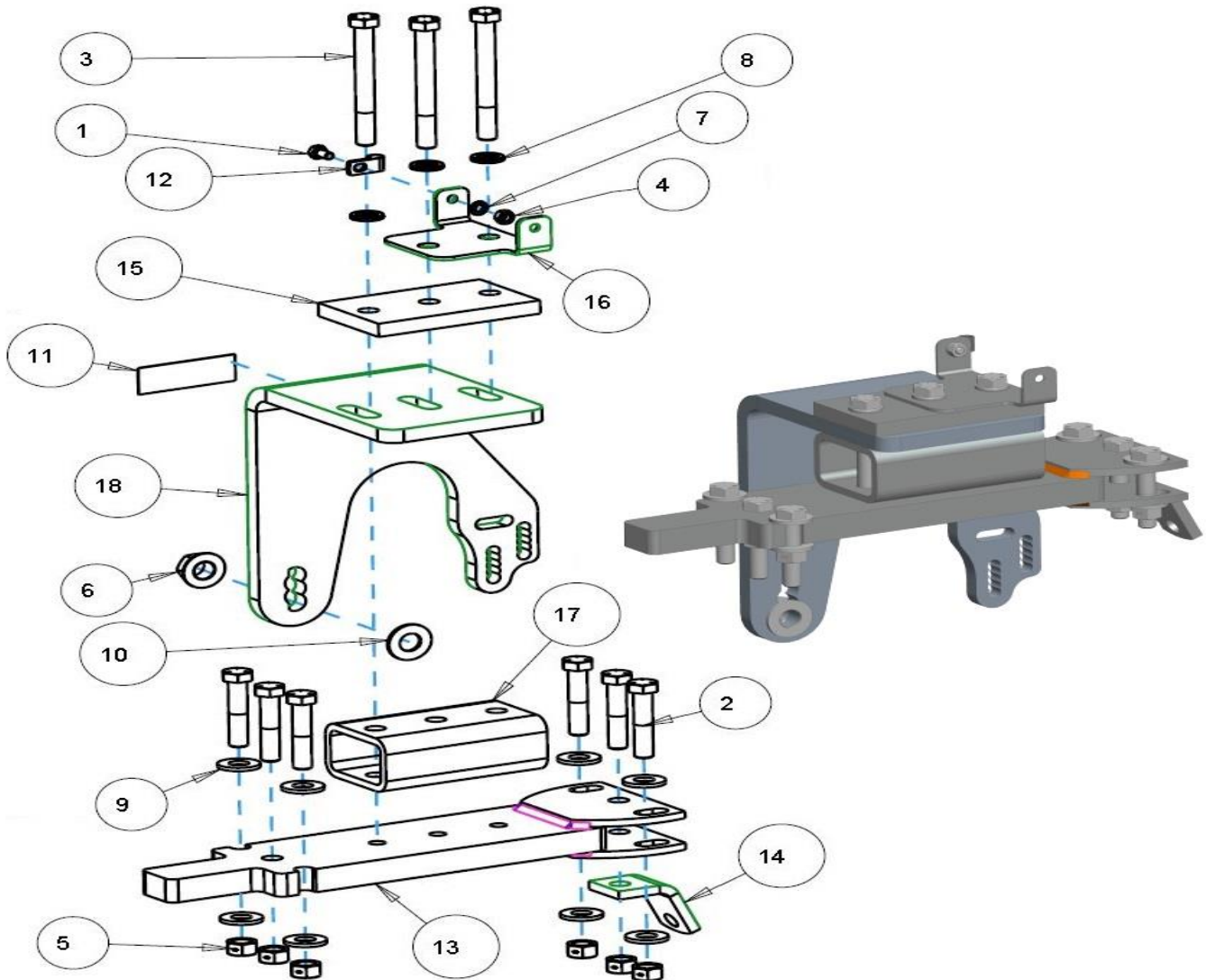


ITEM	PART #	DESCRIPTION	QTY
1	2502-104	¼ - 20 X ½ HHCS GR 5 ZYD	1
2	2502-296	½ - 13 X 2 ½ HHCS GR 5 ZP	6
3	2502-314	½ - 13 X 2 ¼ HHCS GR 5 ZP	3
4	2520-151	¼ - 20 HEX NUT ZP	1
5	2520-357	½ - 13 LOCK HEX NUT, GR A, ZP	6
6	2520-464	5/8 - 11 WHIZ LOCK HEX NUT, GR 2, ZP	1
7	2525-151	¼ MEDIUM LOCK WASHER ZP	1
8	2525-352	½ MEDIUM LOCK WASHER ZP	3
9	2526-355	½ FLAT WASHER HARDENED ZP	8
10	2526-454	5/8 SAE FLAT WASHER HARDENED ZP	1
11	2565-179	YETTER DECAL	1
12	2570-724	3/8 HOSE P-CLIP WITH VINYL CUSHION	1
13	2968-224	FERTILIZER CLOSE WHEEL MOUNT W.A.	1
14	2968-334	SPRING ANCHOR TAB	1
15	2968-361	ARM CLAMP	1
16	2968-363	FORMED HOSE HOLDER	1
17	2968-469	2" ARM SPACER	1
18	2968-470-LH	LH SHORT FERTILIZER WHEEL MOUNT	1



# 2968-022B-R-LB PARTS IDENTIFICATION

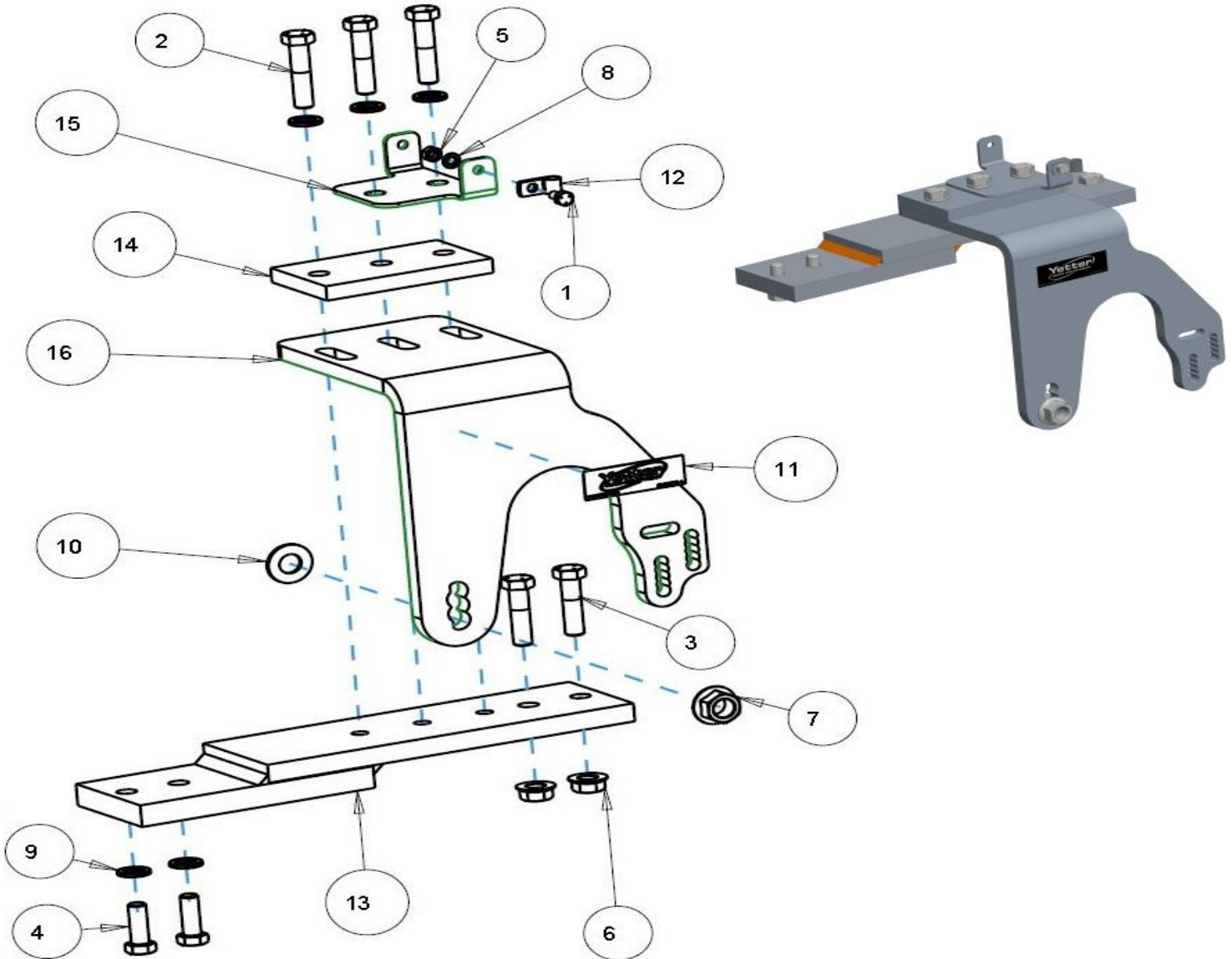
WHITE 8000



ITEM	PART #	DESCRIPTION	QTY
1	2502-104	¼ - 20 X ½ HHCS GR 5 ZYD	1
2	2502-296	½ - 13 X 2 ½ HHCS GR 5 ZP	6
3	2502-314	½ - 13 X 2 ¼ HHCS GR 5 ZP	3
4	2520-151	¼ - 20 HEX NUT ZP	1
5	2520-357	½ - 13 LOCK HEX NUT, GR A, ZP	6
6	2520-464	5/8 - 11 WHIZ LOCK HEX NUT, GR 2, ZP	1
7	2525-151	¼ MEDIUM LOCK WASHER ZP	1
8	2525-352	½ MEDIUM LOCK WASHER ZP	3
9	2526-355	½ FLAT WASHER HARDENED ZP	8
10	2526-454	5/8 SAE FLAT WASHER HARDENED ZP	1
11	2565-179	YETTER DECAL	1
12	2570-724	3/8 HOSE P-CLIP WITH VINYL CUSHION	1
13	2968-224	FERTILIZER CLOSE WHEEL MOUNT W.A.	1
14	2968-334	SPRING ANCHOR TAB	1
15	2968-361	ARM CLAMP	1
16	2968-363	FORMED HOSE HOLDER	1
17	2968-469	2" ARM SPACER	1
18	2968-470-RH	RH SHORT FERTILIZER WHEEL MOUNT	1

# 2968-025B-L-LB PARTS IDENTIFICATION

WHITE 9000

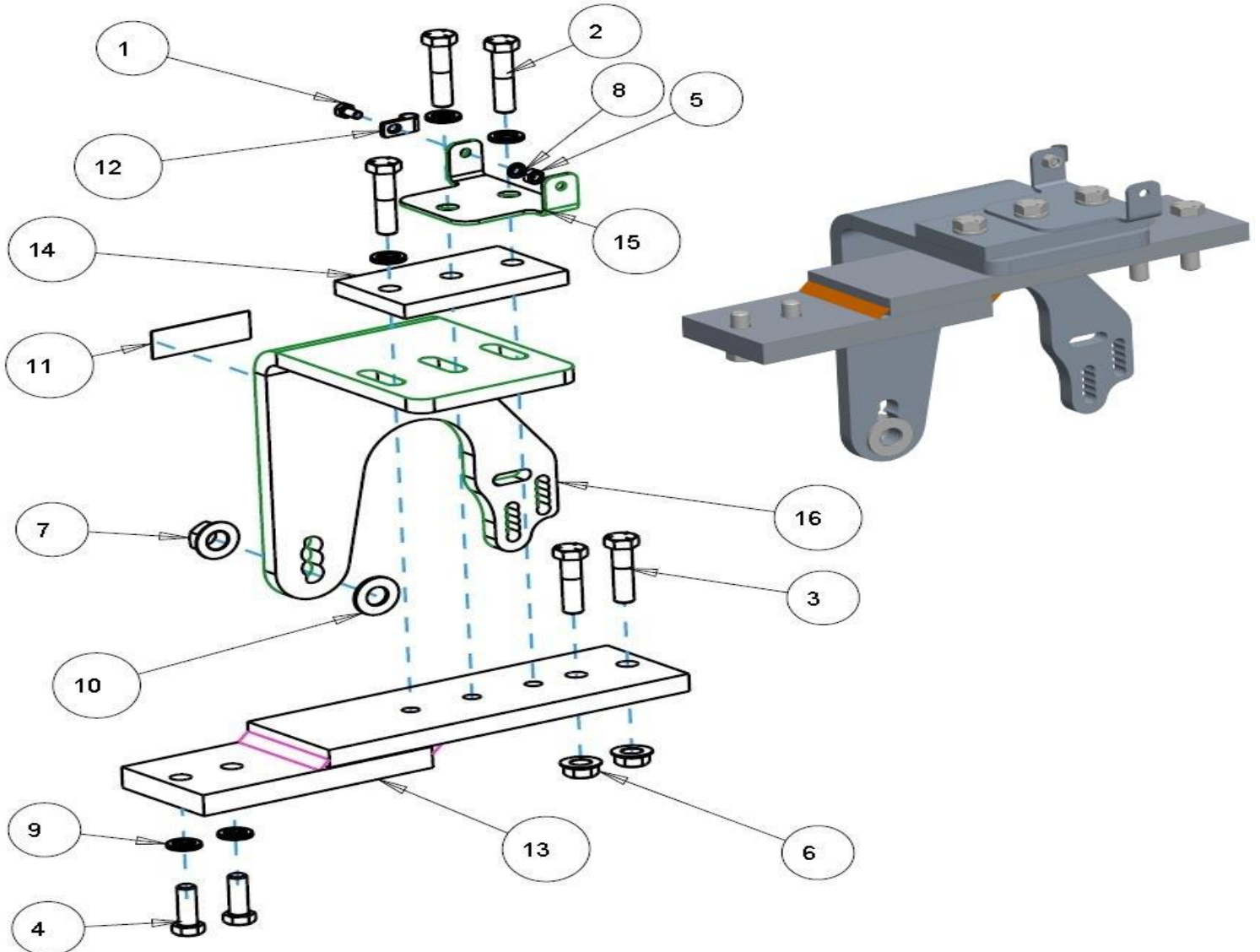


ITEM	PART #	DESCRIPTION	QTY
1	2502-104	¼ - 20 X ½ HHCS GR 5 ZYD	1
2	2502-314	½ - 13 X 2 ¼ HHCS GR 5 ZP	3
3	2502-351	½ - 13 X 2 HHCS GR 5 ZP	2
4	2502-379	M12 X 1.75 X 35 GR 10.9 ZYD	2
5	2520-151	¼ - 20 HEX NUT ZP	1
6	2520-361	½ - 13 FLANGE WHIZLOCK HEX NUT, GR A, ZP	2
7	2520-464	5/8 - 11 WHIZ LOCK HEX NUT, GR 2, ZP	1
8	2525-151	¼ MEDIUM LOCK WASHER ZP	1
9	2525-352	½ MEDIUM LOCK WASHER ZP	5
10	2526-454	5/8 SAE FLAT WASHER HARDENED ZP	1
11	2565-179	YETTER DECAL	1
12	2570-724	3/8 HOSE P-CLIP WITH VINYL CUSHION	1
13	2968-220	FERTILIZER CLOSE WHEEL MOUNT W.A.	1
14	2968-361	ARM CLAMP	1
15	2968-363	FORMED HOSE HOLDER	1
16	2968-470-LH	LH SHORT FERTILIZER WHEEL MOUNT	1



# 2968-025B-R-LB PARTS IDENTIFICATION

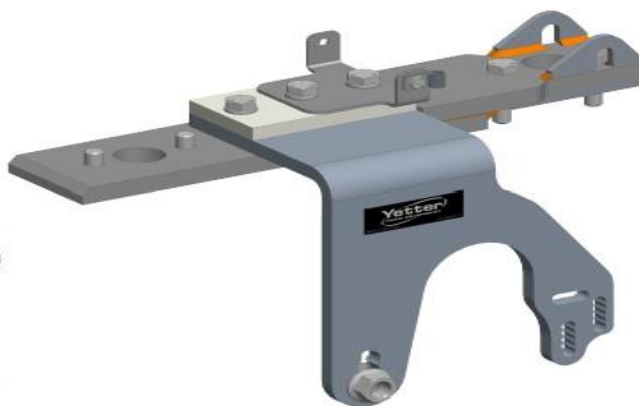
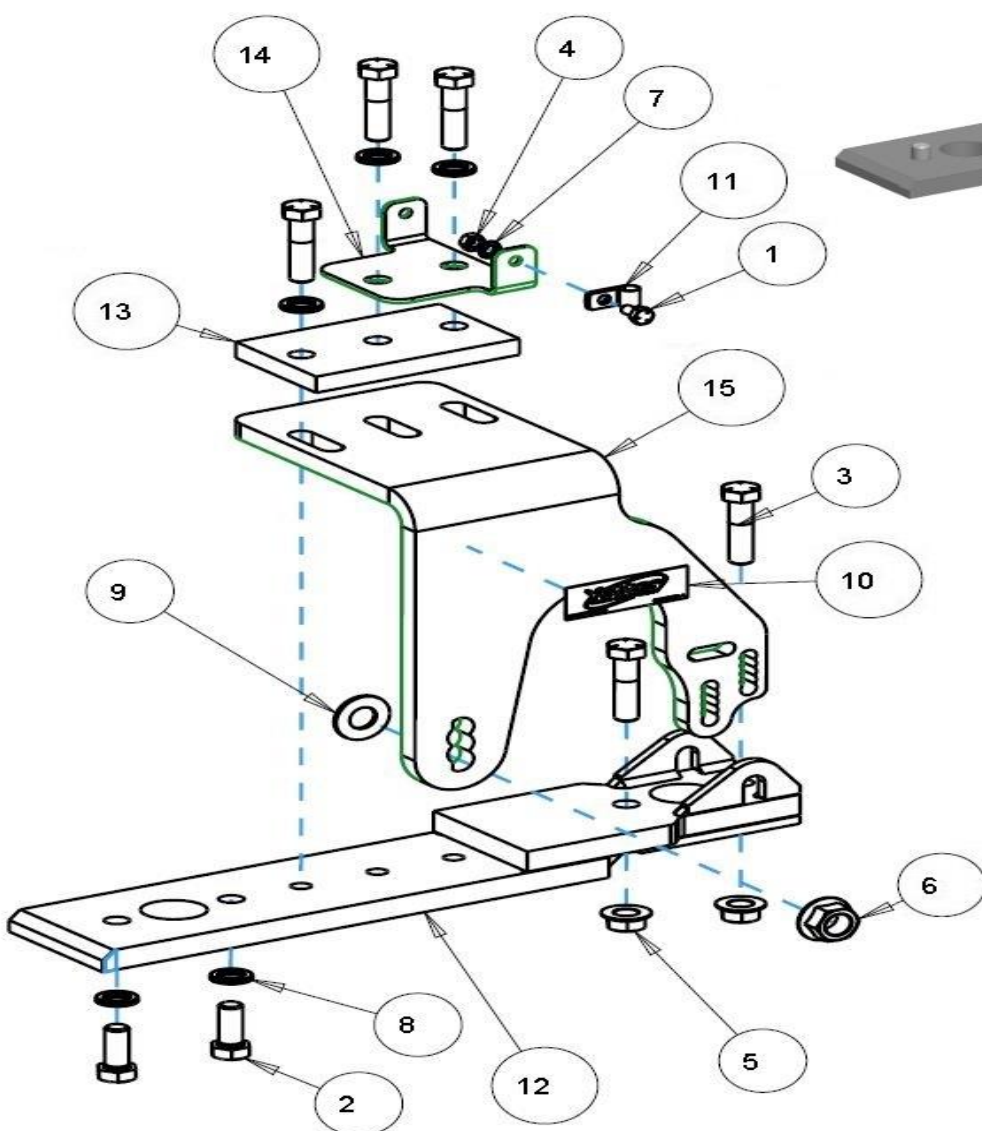
WHITE 9000



ITEM	PART #	DESCRIPTION	QTY
1	2502-104	¼ - 20 X ½ HHCS GR 5 ZYD	1
2	2502-314	½ - 13 X 2 ¼ HHCS GR 5 ZP	3
3	2502-351	½ - 13 X 2 HHCS GR 5 ZP	2
4	2502-379	M12 X 1.75 X 35 GR 10.9 ZYD	2
5	2520-151	¼ - 20 HEX NUT ZP	1
6	2520-361	½ - 13 FLANGE WHIZLOCK HEX NUT, GR A, ZP	2
7	2520-464	5/8 - 11 WHIZ LOCK HEX NUT, GR 2, ZP	1
8	2525-151	¼ MEDIUM LOCK WASHER ZP	1
9	2525-352	½ MEDIUM LOCK WASHER ZP	5
10	2526-454	5/8 SAE FLAT WASHER HARDENED ZP	1
11	2565-179	YETTER DECAL	1
12	2570-724	3/8 HOSE P-CLIP WITH VINYL CUSHION	1
13	2968-220	FERTILIZER CLOSE WHEEL MOUNT W.A.	1
14	2968-361	ARM CLAMP	1
15	2968-363	FORMED HOSE HOLDER	1
16	2968-470-RH	RH SHORT FERTILIZER WHEEL MOUNT	1

# 2968-026A-L-LB PARTS IDENTIFICATION

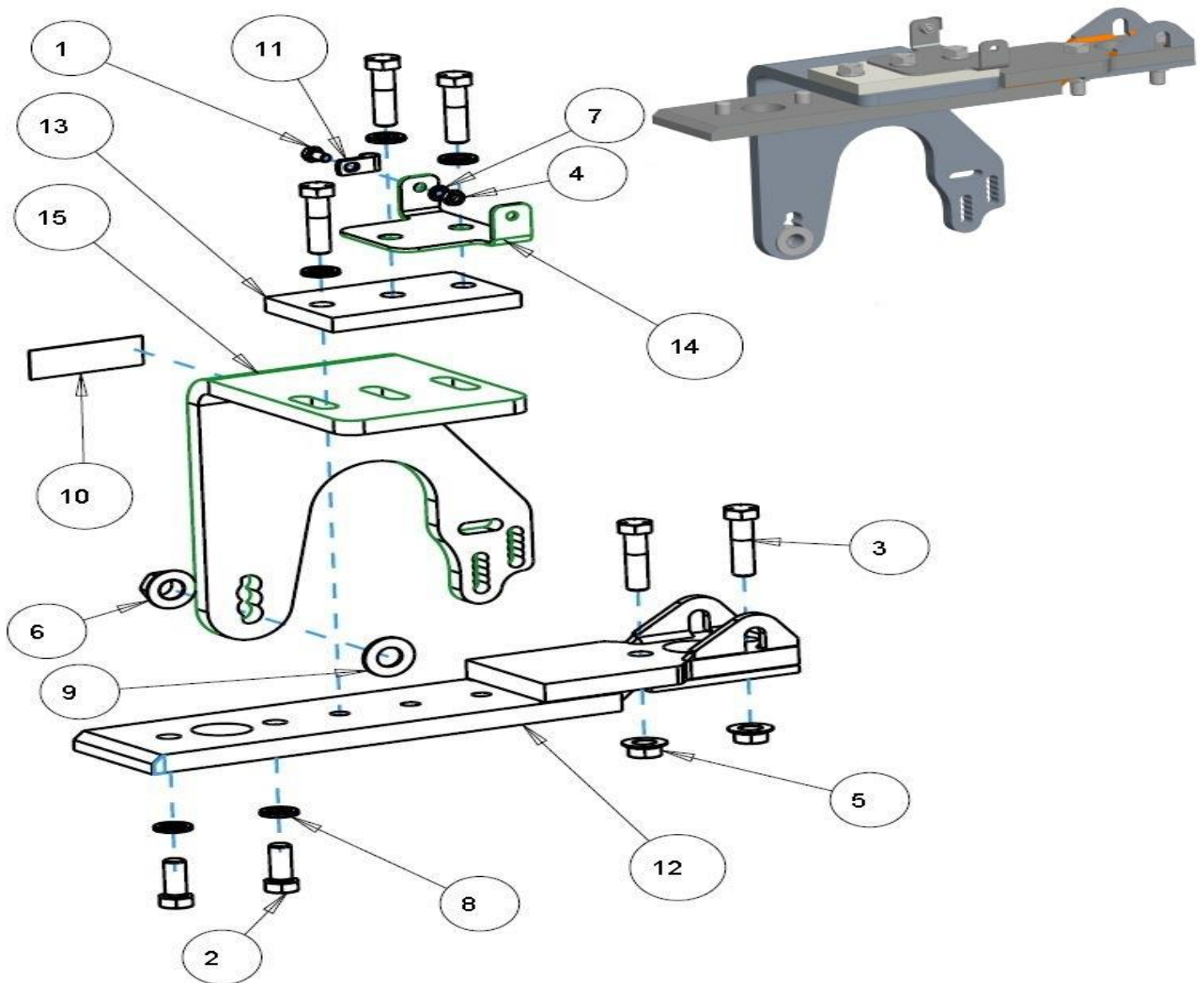
HARVEST INTERNATIONAL



ITEM	PART #	DESCRIPTION	QTY
1	2502-104	¼ - 20 X ½ HHCS GR 5 ZYD	1
2	2502-293	½ - 13 X 1 ¼ HHCS GR 5 ZP	2
3	2502-351	½ - 13 X 2 HHCS GR 5 ZP	5
4	2520-151	¼ - 20 HEX NUT ZP	1
5	2520-361	½ - 13 FLANGE WHIZ LOCK HEX NUT, GR 5, ZP	2
6	2520-464	5/8 - 11 WHIZ LOCK HEX NUT, GR 2, ZP	1
7	2525-151	¼ MEDIUM LOCK WASHER ZP	1
8	2525-352	½ MEDIUM LOCK WASHER ZP	5
9	2526-454	5/8 SAE FLAT WASHER HARDENED ZP	1
10	2565-179	YETTER DECAL	1
11	2570-724	3/8 HOSE P-CLIP WITH VINYL CUSHION	1
12	2968-225	FERTILIZER CLOSE WHEEL MOUNT W.A.	1
13	2968-361	ARM CLAMP	1
14	2968-363	FORMED HOSE HOLDER	1
15	2968-470-LH	LH SHORT FERTILIZER WHEEL MOUNT	1

# 2968-026A-R-LB PARTS IDENTIFICATION

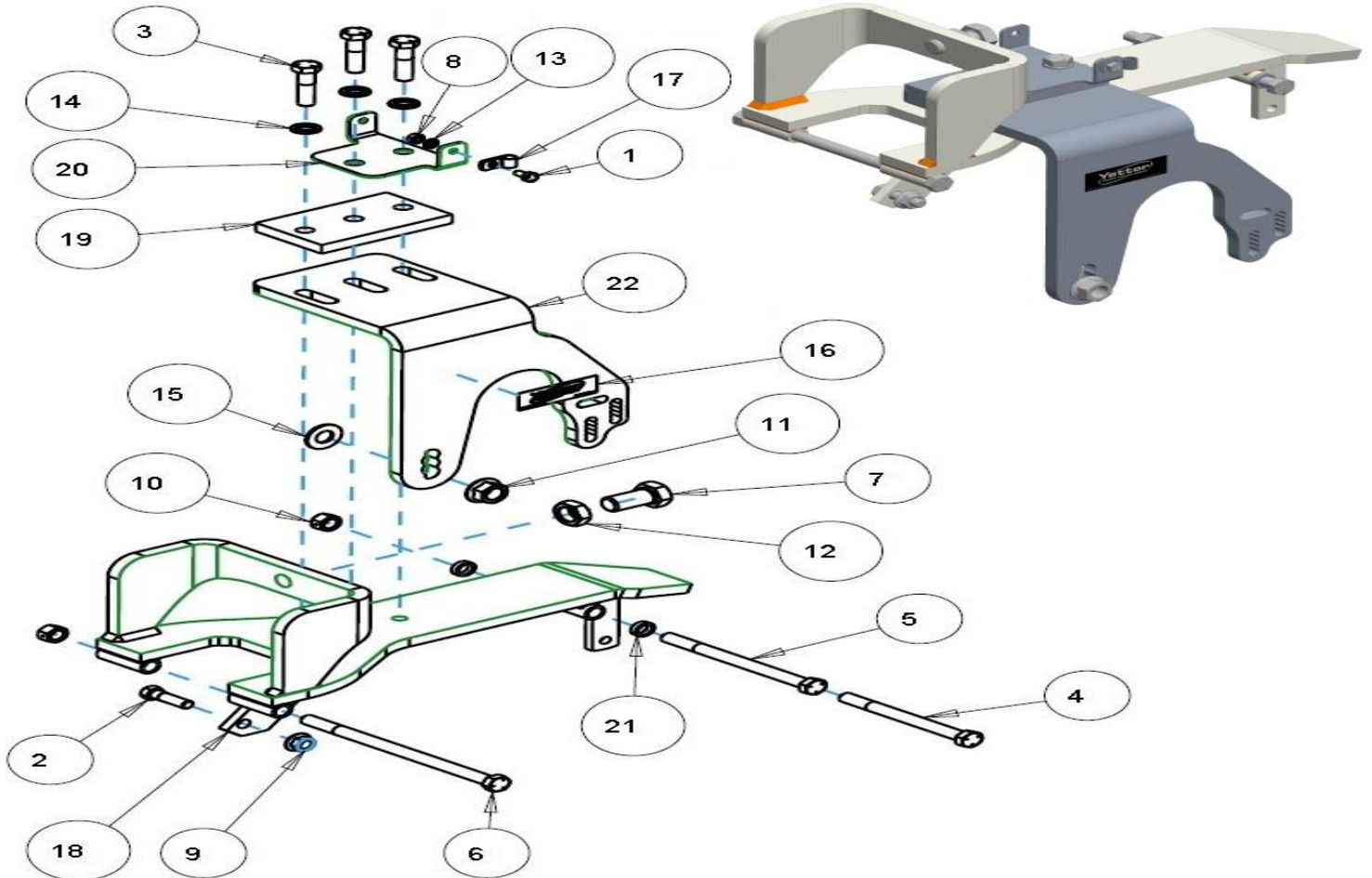
HARVEST INTERNATIONAL



ITEM	PART #	DESCRIPTION	QTY
1	2502-104	¼ - 20 X ½ HHCS GR 5 ZYD	1
2	2502-293	½ - 13 X 1 ¼ HHCS GR 5 ZP	2
3	2502-351	½ - 13 X 2 HHCS GR 5 ZP	5
4	2520-151	¼ - 20 HEX NUT ZP	1
5	2520-361	½ - 13 FLANGE WHIZ LOCK HEX NUT, GR 5, ZP	2
6	2520-464	5/8 - 11 WHIZ LOCK HEX NUT, GR 2, ZP	1
7	2525-151	¼ MEDIUM LOCK WASHER ZP	1
8	2525-352	½ MEDIUM LOCK WASHER ZP	5
9	2526-454	5/8 SAE FLAT WASHER HARDENED ZP	1
10	2565-179	YETTER DECAL	1
11	2570-724	3/8 HOSE P-CLIP WITH VINYL CUSHION	1
12	2968-225	FERTILIZER CLOSE WHEEL MOUNT W.A.	1
13	2968-361	ARM CLAMP	1
14	2968-363	FORMED HOSE HOLDER	1
15	2968-470-RH	RH SHORT FERTILIZER WHEEL MOUNT	1

# 2968-027A-L-LB PARTS IDENTIFICATION

## KINZE 4900

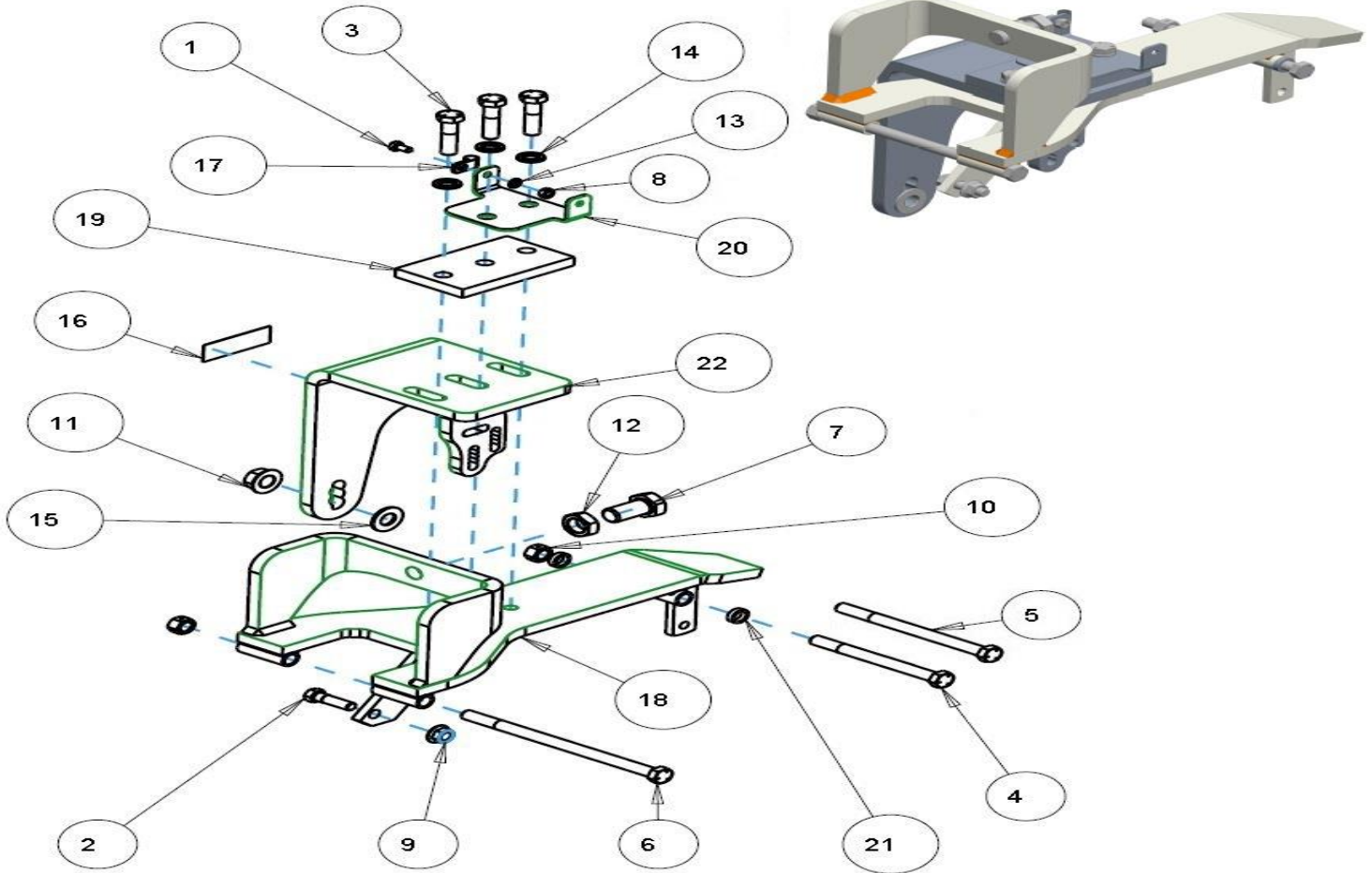


ITEM	PART #	DESCRIPTION	QTY
1	2502-104	¼ - 20 X ½ HHCS GR 5 ZYD	1
2	2502-266	7/16 - 14 X 1 ½ HHCS GR 5 ZP	1
3	2502-351	½ - 13 X 2 HHCS GR 5 ZP	3
4	2502-368	½ - 13 X 5 ½ HHCS GR 5 ZP	1
5	2502-372	½ - 13 X 6 ½ HHCS GR 5 ZP	1
6	2502-375	½ - 13 X 8 ½ HHCS GR 5 ZP	1
7	2502-501	¾ - 10 X 1 ½ HHCS GR 5 ZP	1
8	2520-151	¼ - 20 HEX NUT ZP	1
9	2520-307	7/16 - 14 FLANGE LOCK NUT	1
10	2520-357	½ - 13 LOCK HEX NUT, GR A, ZP	2
11	2520-464	5/8 - 11 WHIZ LOCK HEX NUT, GR 2, ZP	1
12	2520-502	¾ - 10 HEX JAM NUT, GR 2, ZP	1
13	2525-151	¼ MEDIUM LOCK WASHER ZP	1
14	2525-352	½ MEDIUM LOCK WASHER ZP	3
15	2526-454	5/8 SAE FLAT WASHER HARDENED ZP	1
16	2565-179	YETTER DECAL	1
17	2570-724	3/8 HOSE P-CLIP WITH VINYL CUSHION	1
18	2968-228	FERTILIZER CLOSE WHEEL MOUNT W.A.	1
19	2968-361	ARM CLAMP	1
20	2968-363	FORMED HOSE HOLDER	1
21	2968-373	SPACER	2
22	2968-470-LH	LH SHORT FERTILIZER WHEEL MOUNT	1



# 2968-027A-R-LB PARTS IDENTIFICATION

## KINZE 4900

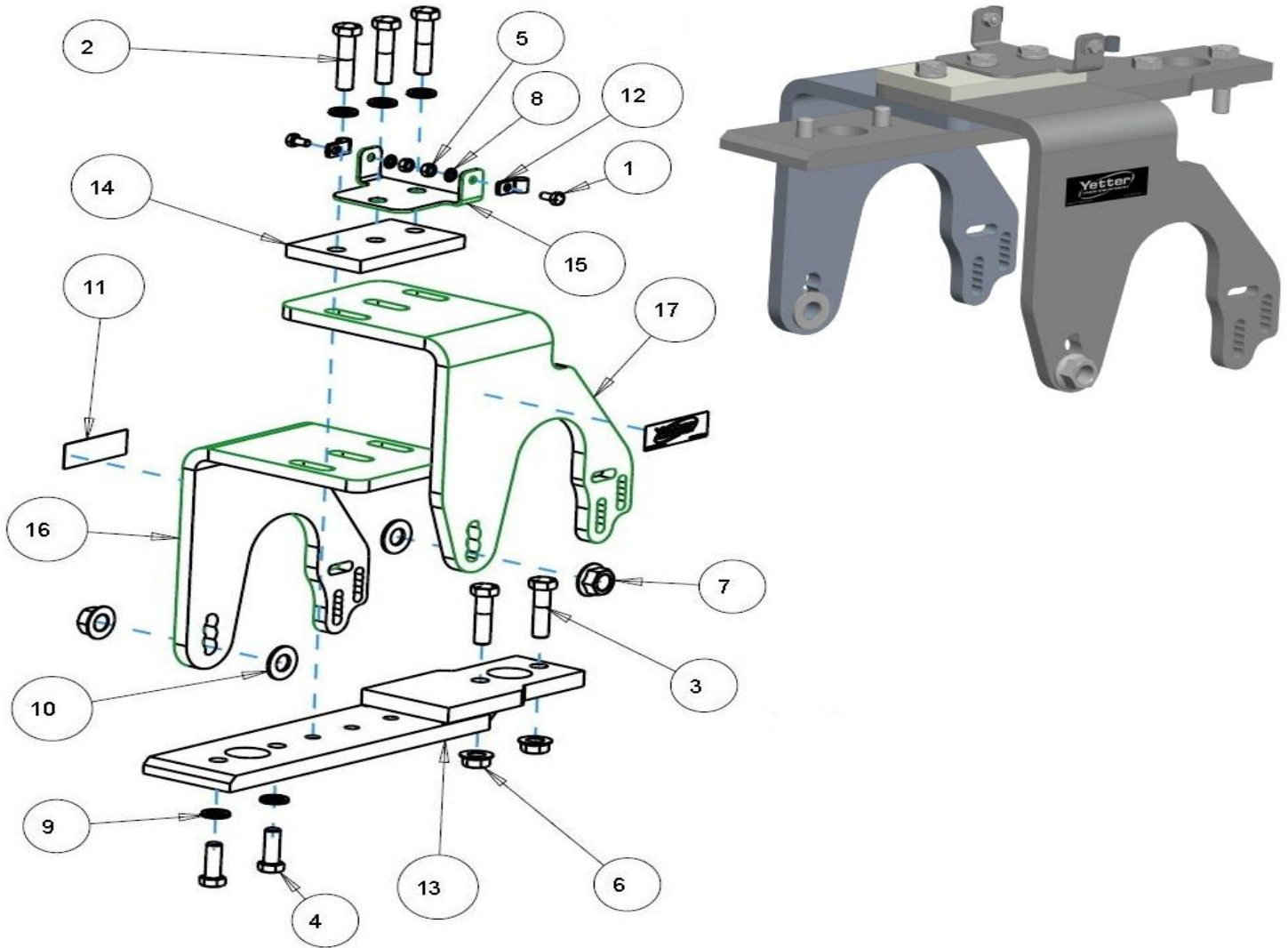


ITEM	PART #	DESCRIPTION	QTY
1	2502-104	¼ - 20 X ½ HHCS GR 5 ZYD	1
2	2502-266	7/16 - 14 X 1 ½ HHCS GR 5 ZP	1
3	2502-351	½ - 13 X 2 HHCS GR 5 ZP	3
4	2502-368	½ - 13 X 5 ½ HHCS GR 5 ZP	1
5	2502-372	½ - 13 X 6 ½ HHCS GR 5 ZP	1
6	2502-375	½ - 13 X 8 ½ HHCS GR 5 ZP	1
7	2502-501	¾ - 10 X 1 ½ HHCS GR 5 ZP	1
8	2520-151	¼ - 20 HEX NUT ZP	1
9	2520-307	7/16 - 14 FLANGE LOCK NUT	1
10	2520-357	½ - 13 LOCK HEX NUT, GR A, ZP	2
11	2520-464	5/8 - 11 WHIZ LOCK HEX NUT, GR 2, ZP	1
12	2520-502	¾ - 10 HEX JAM NUT, GR 2, ZP	1
13	2525-151	¼ MEDIUM LOCK WASHER ZP	1
14	2525-352	½ MEDIUM LOCK WASHER ZP	3
15	2526-454	5/8 SAE FLAT WASHER HARDENED ZP	1
16	2565-179	YETTER DECAL	1
17	2570-724	3/8 HOSE P-CLIP WITH VINYL CUSHION	1
18	2968-228	FERTILIZER CLOSE WHEEL MOUNT W.A.	1
19	2968-361	ARM CLAMP	1
20	2968-363	FORMED HOSE HOLDER	1
21	2968-373	SPACER	2
22	2968-470-RH	RH SHORT FERTILIZER WHEEL MOUNT	1



# 2968-040A-LB PARTS IDENTIFICATION

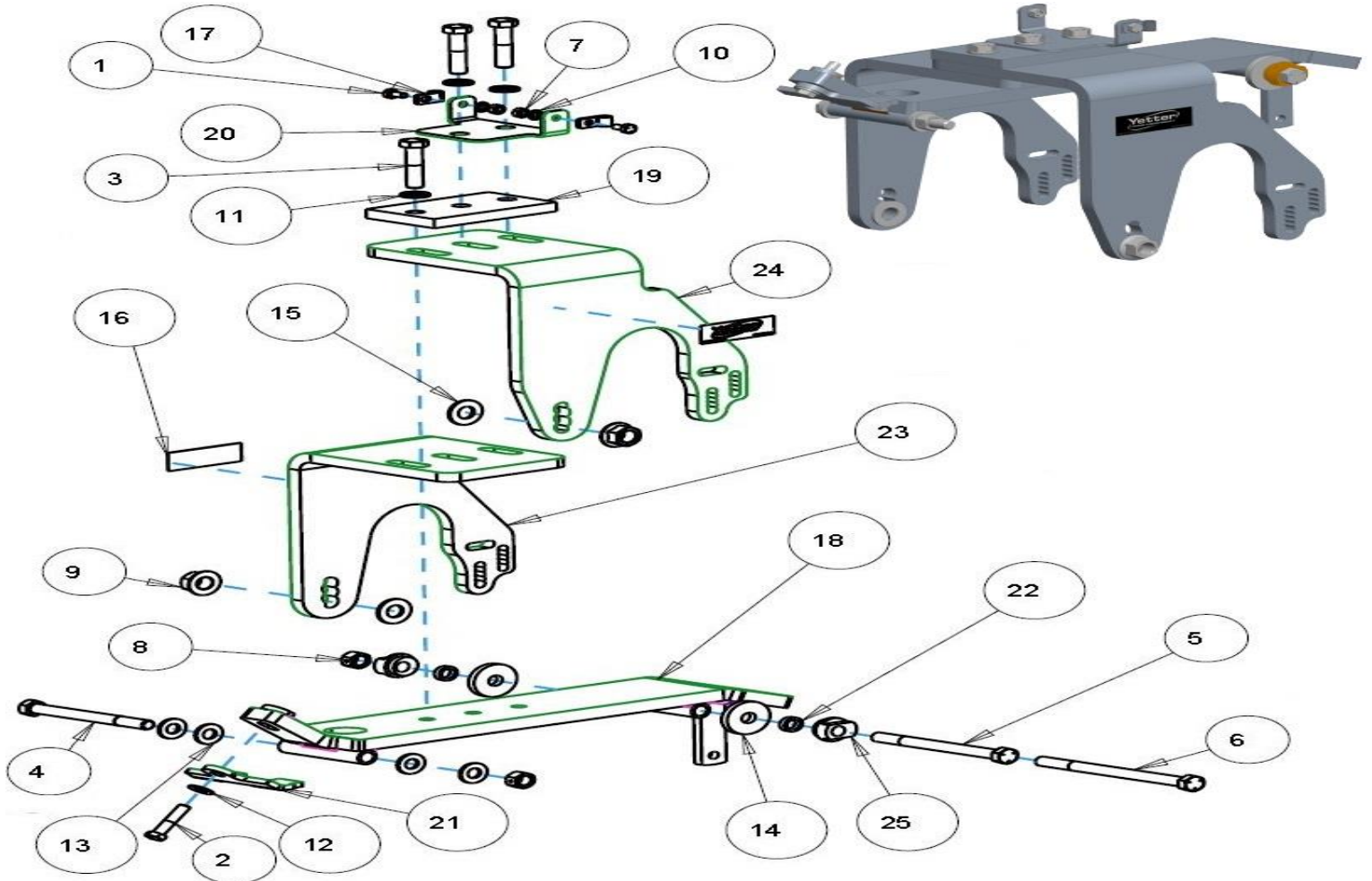
FOR JD 1700, 7200, & 7300



ITEM	PART #	DESCRIPTION	QTY
1	2502-104	¼ - 20 X ½ HHCS GR 5 ZYD	2
2	2502-314	½ - 13 X 2 ¼ HHCS GR 5 ZP	3
3	2502-351	½ - 13 X 2 HHCS GR 5 ZP	2
4	2502-379	M12 X 1.75 X 35 GRD 10.9 ZYD	2
5	2520-151	¼ - 20 HEX NUT ZP	2
6	2520-361	½ - 13 FLANGE WHIZ LOCK HEX NUT, GR 5, ZP	2
7	2520-464	5/8 - 11 WHIZ LOCK HEX NUT, GR 2, ZP	2
8	2525-151	¼ MEDIUM LOCK WASHER ZP	2
9	2525-352	½ MEDIUM LOCK WASHER ZP	5
10	2526-454	5/8 SAE FLAT WASHER HARDENED ZP	2
11	2565-179	YETTER DECAL	2
12	2570-724	3/8 HOSE P-CLIP WITH VINYL CUSHION	2
13	2968-222	FERTILIZER CLOSE WHEEL MOUNT W.A.	2
14	2968-361	ARM CLAMP	1
15	2968-363	FORMED HOSE HOLDER	2
16	2968-470-RH	RH SHORT FERTILIZER WHEEL MOUNT	1
17	2968-471-LH	LH TALL FERT. WHEEL MOUNT	1

# 2968-041A-LB PARTS IDENTIFICATION

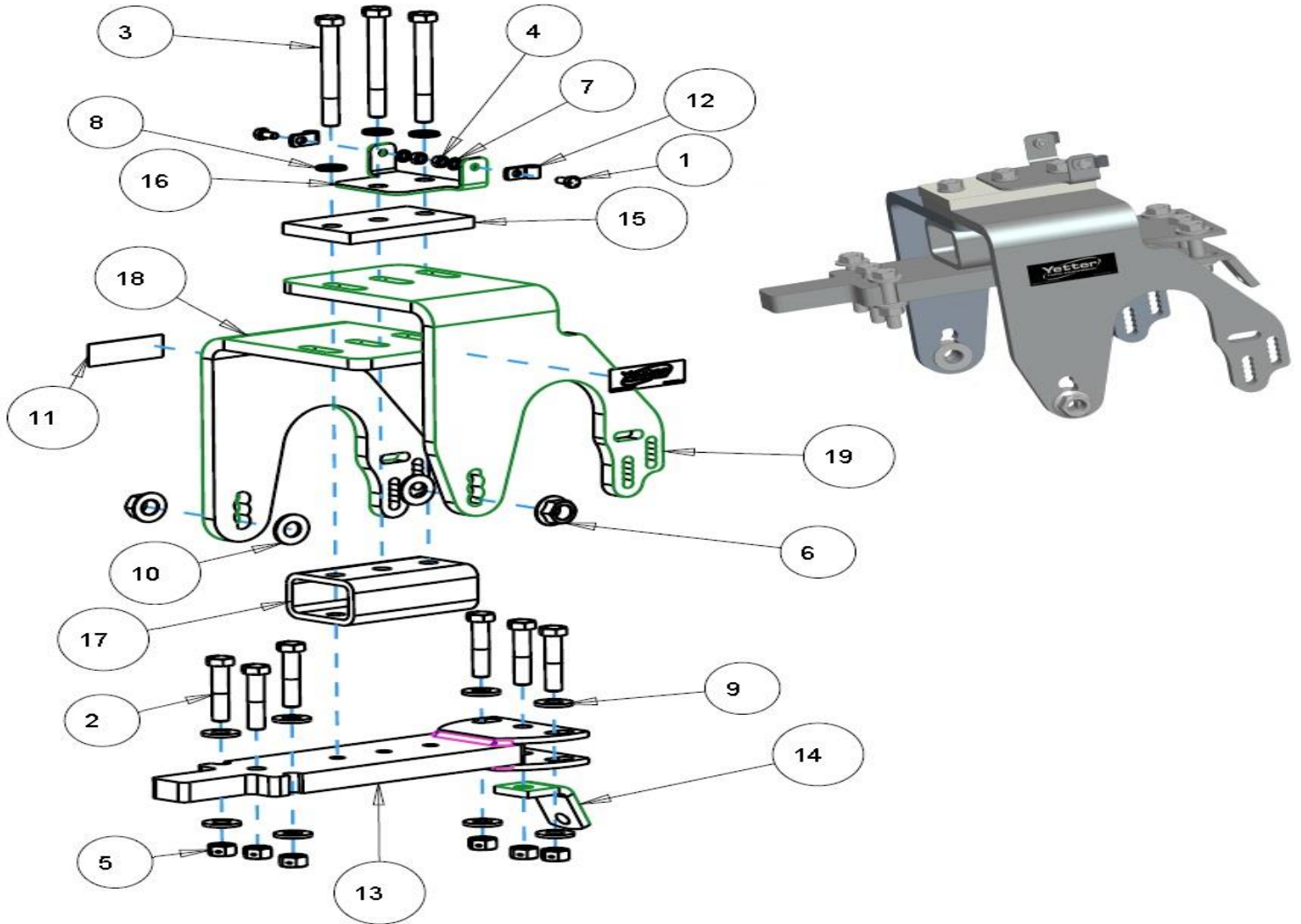
FOR JD 7000 & 7100, KINZE 2000 & 3000



ITEM	PART #	DESCRIPTION	QTY
1	2502-104	¼ - 20 X ½ HHCS GR 5 ZYD	2
2	2502-232	3/8 - 16 X 1 ½ HHCS GR 5 ZYD (USED ON KINZE 3000)	1
	2502-245	3/8 - 16 1 ¼ HHCS GR 5 ZP (USED ON JD 7000 & 7100, KINZE 2000)	1
3	2502-314	½ - 13 X 2 ¼ HHCS GR 5 ZP	3
4	2502-362	½ - 13 X 5 HHCS GR 5 ZP	1
5	2502-368	½ - 13 X 5 ½ HHCS GR 5 ZP	1
6	2502-372	½ - 13 X 6 ½ HHCS GR 5 ZP	1
7	2520-151	¼ - 20 HEX NUT ZP	2
8	2520-357	½ - 13 LOCK HEX NUT, GR A, ZP	2
9	2520-464	5/8 - 11 WHIZ LOCK HEX NUT, GR 2, ZP	2
10	2525-151	¼ MEDIUM LOCK WASHER ZP	2
11	2525-352	¼ MEDIUM LOCK WASHER ZP	3
12	2526-253	3/8 SAE FLAT WASHER ZP	1
13	2526-352	½ SAE FLAT WASHER ZP	4
14	2526-402	9/16ID X 1 ¼OD X 1/4MB ZP	2
15	2526-454	5/8 SAE FLAT WASHER HARDENED ZP	2
16	2565-179	YETTER DECAL	2
17	2570-724	3/8 HOSE P-CLIP WITH VINYL CUSHION	2
18	2968-223	FERTILIZER CLOSE WHEEL MOUNT W.A.	1
19	2968-361	ARM CLAMP	1
20	2968-363	FORMED HOSE HOLDER	1
21	2968-370	GAUGE WHEEL ARM STOP (ONLY USED ON JD 7000 & 7100, KINZE 2000)	1
22	2968-373	SPACER	2
23	2968-470-RH	RH SHORT FERTILIZER WHEEL	1
24	2968-471-LH	LH TALL FERTILIZER WHEEL MOUNT	1
25	6000-523	ECCENTRIC BUSHING CLOSE WHEEL MOUNT	2

# 2968-042A-LB PARTS IDENTIFICATION

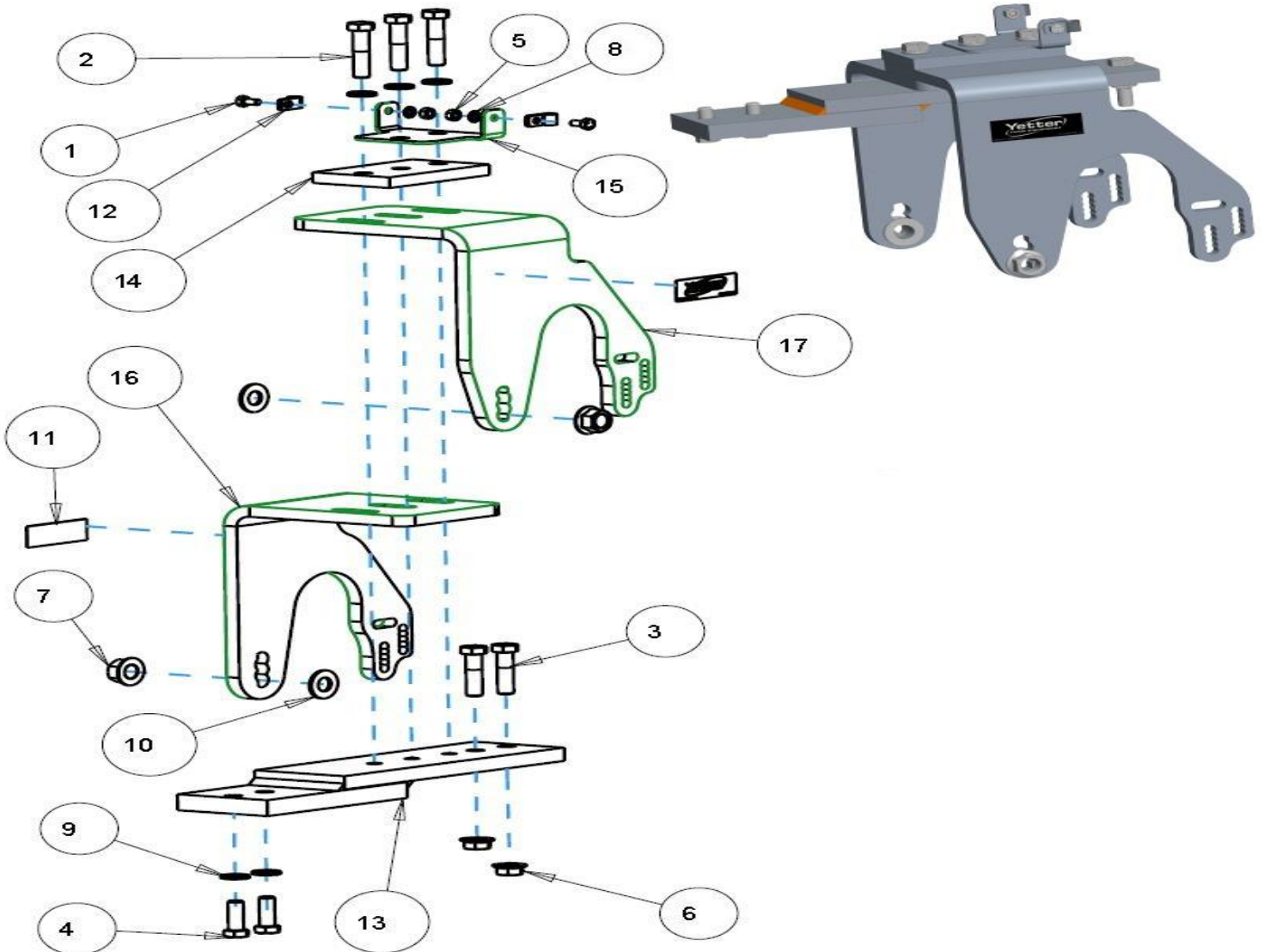
WHITE 8000



ITEM	PART #	DESCRIPTION	QTY
1	2502-104	¼ - 20 X ½ HHCS GR 5 ZYD	2
2	2502-296	½ - 13 X 2 ½ HHCS GR 5 ZP	6
3	2502-361	½ - 13 X 4 ½ HHCS GR 5 ZP	3
4	2520-151	¼ - 20 HEX NUT ZP	2
5	2520-357	½ - 13 LOCK HEX NUT, GR A, ZP	6
6	2520-464	5/8 - 11 WHIZ LOCK HEX NUT, GR 2, ZP	2
7	2525-151	¼ MEDIUM LOCK WASHER ZP	2
8	2525-352	½ MEDIUM LOCK WASHER ZP	3
9	2526-355	½ FLAT WASHER HARDENED ZP	8
10	2526-454	5/8 SAE FLAT WASHER HARDENED ZP	2
11	2565-179	YETTER DECAL	2
12	2570-724	3/8 HOSE P-CLIP WITH VINYL CUSHION	2
13	2968-224	FERTILIZER CLOSE WHEEL MOUNT W.A.	1
14	2968-334	SPRING ANCHOR MOUNT TAB	1
15	2968-361	ARM CLAMP	1
16	2968-363	FORMED HOSE HOLDER	2
17	2968-469	2" ARM SPACER	1
18	2968-470-RH	RH SHORT FERTILIZER WHEEL MOUNT	1
19	2968-471-LH	LH TALL FERT. WHEEL MOUNT	1

# 2968-043A-LB PARTS IDENTIFICATION

WHITE 9000

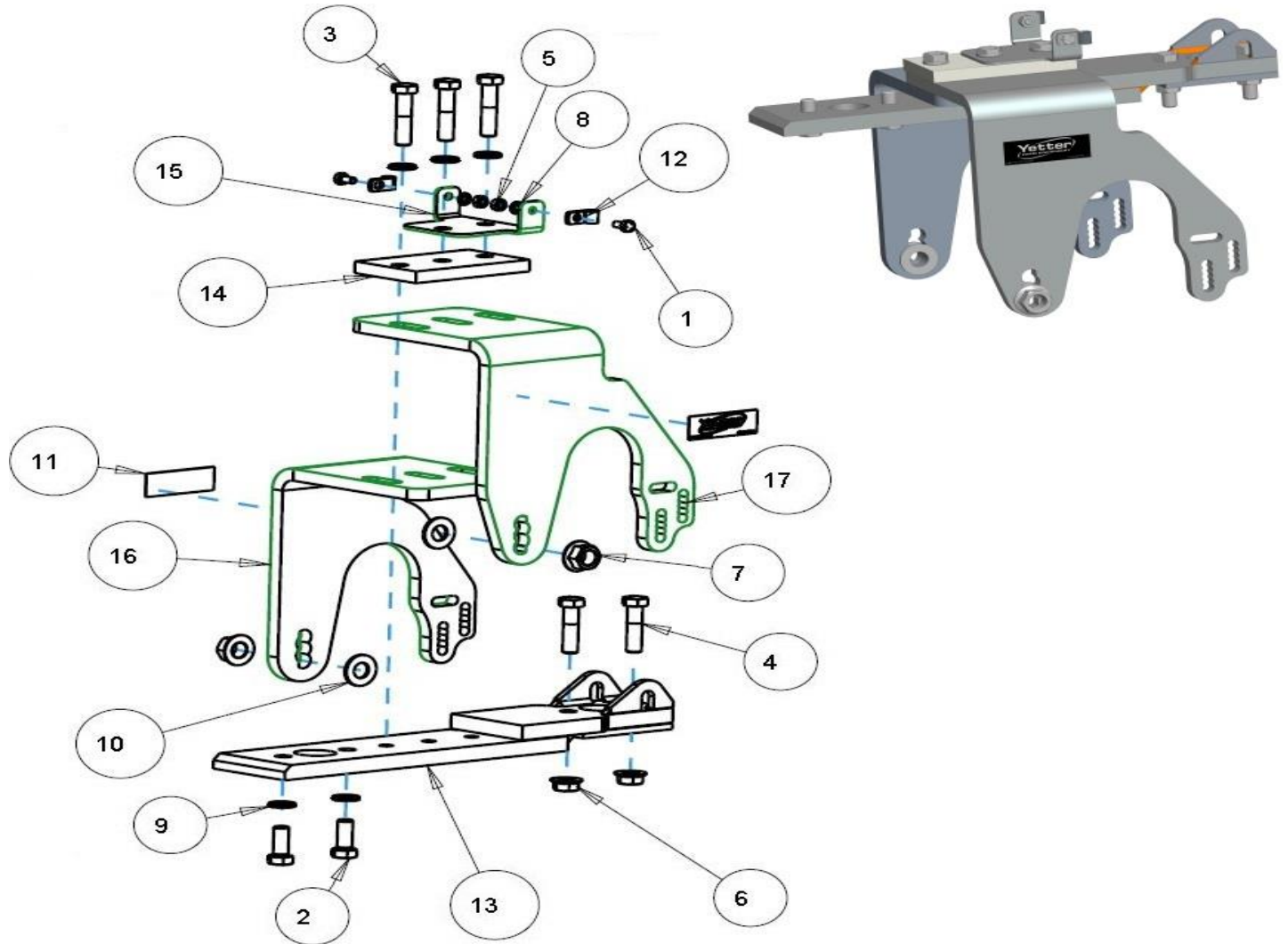


ITEM	PART #	DESCRIPTION	QTY
1	2502-104	¼ - 20 X ½ HHCS GR 5 ZYD	2
2	2502-314	½ - 13 X 2 ¼ HHCS GR 5 ZP	3
3	2502-351	½ - 13 X 2 HHCS GR 5 ZP	2
4	2502-379	M12 X 1.75 X 35 GR 10.9 ZYD	2
5	2520-151	¼ - 20 HEX NUT ZP	2
6	2520-361	½ - 13 FLANGE WHIZLOCK HEX NUT, GR A, ZP	2
7	2520-464	5/8 - 11 WHIZ LOCK HEX NUT, GR 2, ZP	2
8	2525-151	¼ MEDIUM LOCK WASHER ZP	2
9	2525-352	½ MEDIUM LOCK WASHER ZP	5
10	2526-454	5/8 SAE FLAT WASHER HARDENED ZP	2
11	2565-179	YETTER DECAL	2
12	2570-724	3/8 HOSE P-CLIP WITH VINYL CUSHION	2
13	2968-220	FERTILIZER CLOSE WHEEL MOUNT W.A.	1
14	2968-361	ARM CLAMP	1
15	2968-363	FORMED HOSE HOLDER	1
16	2968-470-RH	RH SHORT FERTILIZER WHEEL MOUNT	1
17	2968-471-LH	LH TALL FERTILIZER WHEEL MOUNT	1



# 2968-044A-LB PARTS IDENTIFICATION

## HARVEST INTERNATIONAL

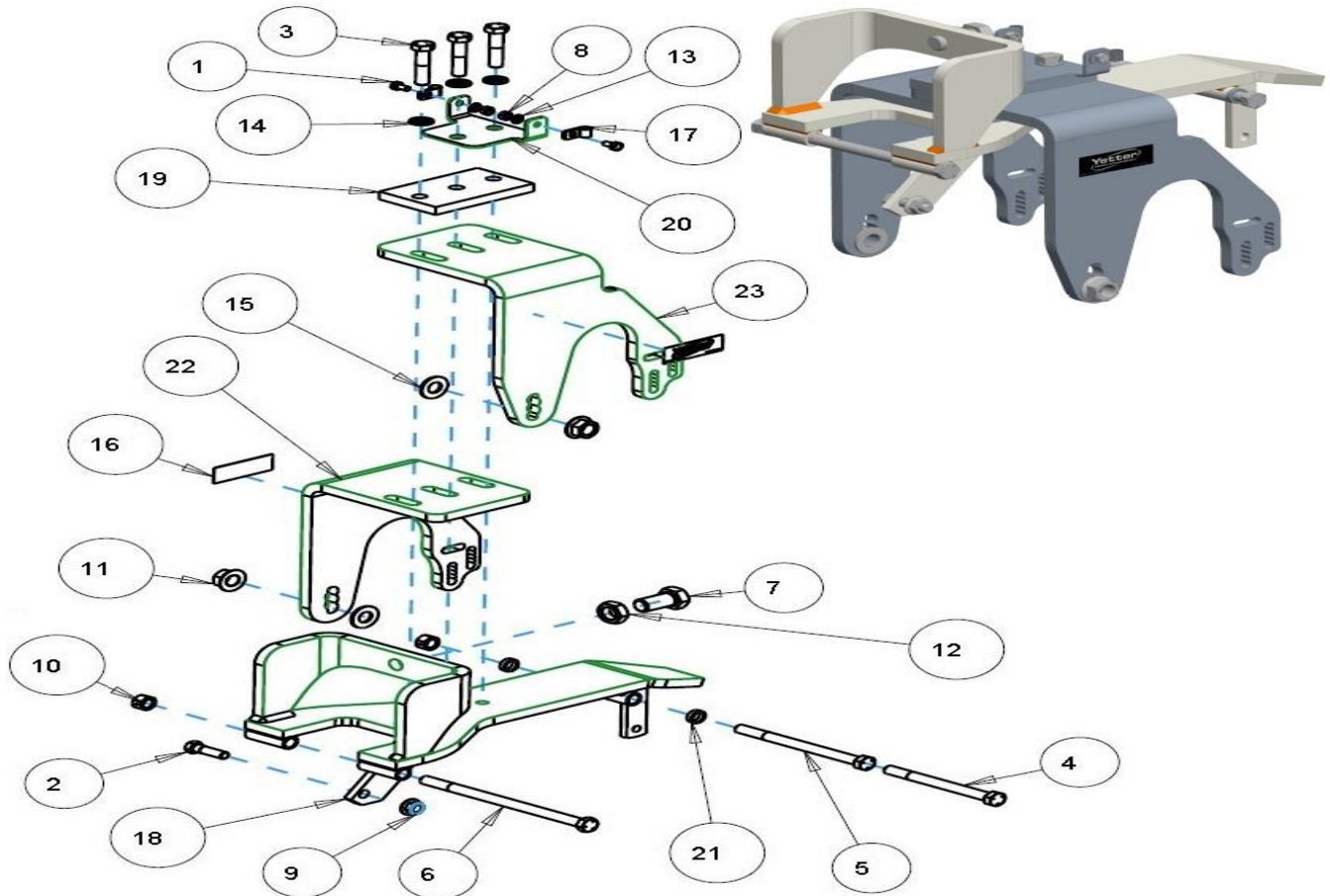


ITEM	PART #	DESCRIPTION	QTY
1	2502-104	¼ - 20 X ½ HHCS GR 5 ZYD	2
2	2502-293	½ - 13 X 1 ¼ HHCS GR 5 ZP	2
3	2502-314	½ - 13 2 ¼ HHCS GR 5 ZP	3
4	2502-351	½ - 13 X 2 HHCS GR 5 ZP	2
5	2520-151	¼ - 20 HEX NUT ZP	2
6	2520-361	½ - 13 FLANGE WHIZ LOCK HEX NUT, GR 5, ZP	2
7	2520-464	5/8 - 11 WHIZ LOCK HEX NUT, GR 2, ZP	2
8	2525-151	¼ MEDIUM LOCK WASHER ZP	2
9	2525-352	½ MEDIUM LOCK WASHER ZP	5
10	2526-454	5/8 SAE FLAT WASHER HARDENED ZP	2
11	2565-179	YETTER DECAL	2
12	2570-724	3/8 HOSE P-CLIP WITH VINYL CUSHION	2
13	2968-225	FERTILIZER CLOSE WHEEL MOUNT W.A., HARVEST INTL	1
14	2968-361	ARM CLAMP	1
15	2968-363	FORMED HOSE HOLDER	1
16	2968-470-RH	RH SHORT FERTILIZER WHEEL MOUNT	1
17	2968-471-LH	LH TALL FERTILIZER WHEEL MOUNT	1



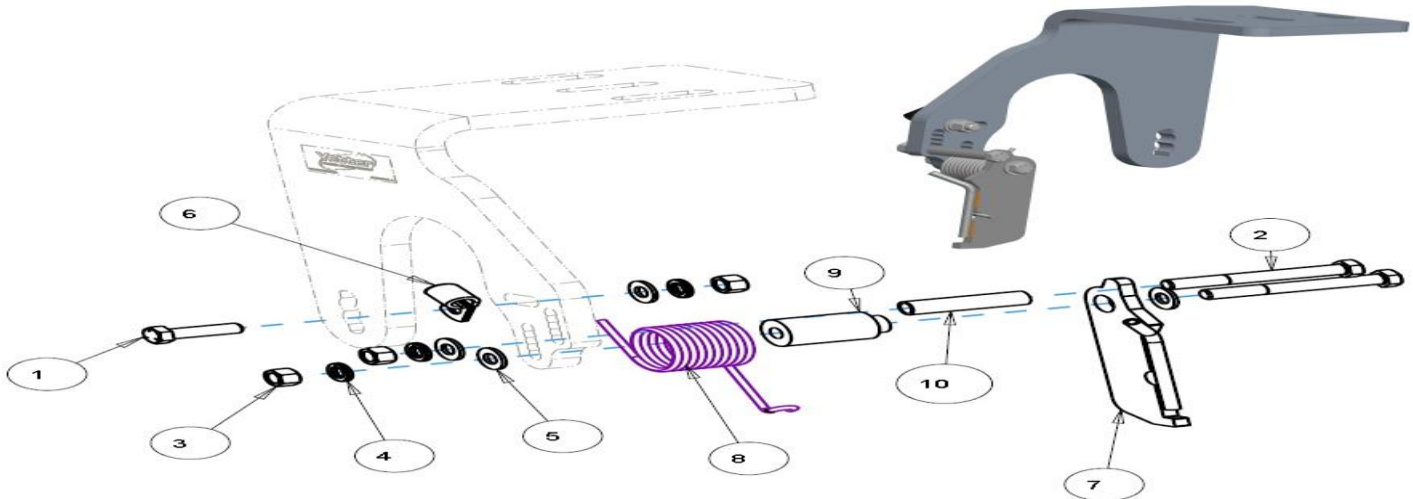
# 2968-045A-LB PARTS IDENTIFICATION

## KINZE 4900



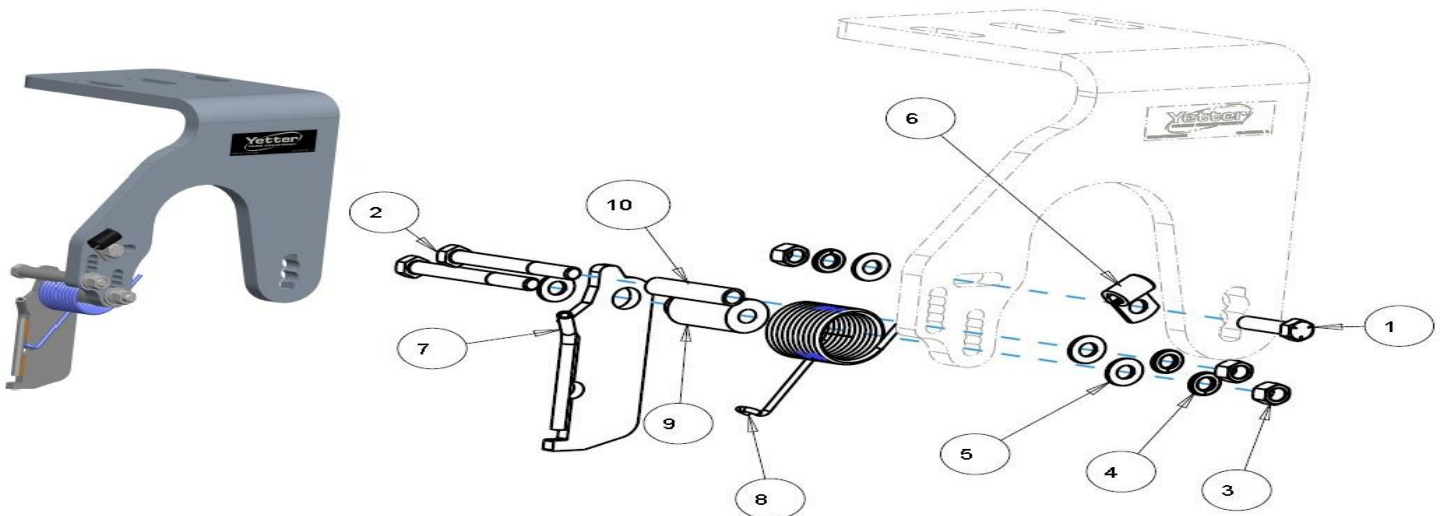
ITEM	PART #	DESCRIPTION	QTY
1	2502-104	¼ - 20 X ½ HHCS GR 5 ZYD	2
2	2502-266	7/16 - 14 X 1 ½ HHCS GR 5 ZP	1
3	2502-314	½ - 13 X 2 ¼ HHCS GR 5 ZP	3
4	2502-368	½ - 13 X 5 ½ HHCS GR 5 ZP	1
5	2502-372	½ - 13 X 6 ½ HHCS GR 5 ZP	1
6	2502-375	½ - 13 X 8 ½ HHCS GR 5 ZP	1
7	2502-501	¾ - 10 X 1 ½ HHCS GR 5 ZP	1
8	2520-151	¼ - 20 HEX NUT ZP	2
9	2520-307	7/16 - 14 FLANGE LOCK NUT	1
10	2520-357	½ - 13 LOCK HEX NUT, GR A, ZP	2
11	2520-464	5/8 - 11 WHIZ LOCK HEX NUT, GR 2, ZP	2
12	2520-502	¾ - 10 HEX JAM NUT, GR 2, ZP	1
13	2525-151	¼ MEDIUM LOCK WASHER ZP	2
14	2525-352	½ MEDIUM LOCK WASHER ZP	3
15	2526-454	5/8 SAE FLAT WASHER HARDENED ZP	2
16	2565-179	YETTER DECAL	2
17	2570-724	3/8 HOSE P-CLIP WITH VINYL CUSHION	2
18	2968-228	FERTILIZER CLOSE WHEEL MOUNT W.A.	1
19	2968-361	ARM CLAMP	1
20	2968-363	FORMED HOSE HOLDER	1
21	2968-373	SPACER	2
22	2968-470-RH	RH SHORT FERTILIZER WHEEL MOUNT	1
23	2968-471-LH	LH TALL FERTILIZER WHEEL MOUNT	1

## 2968-090A-L PARTS IDENTIFICATION



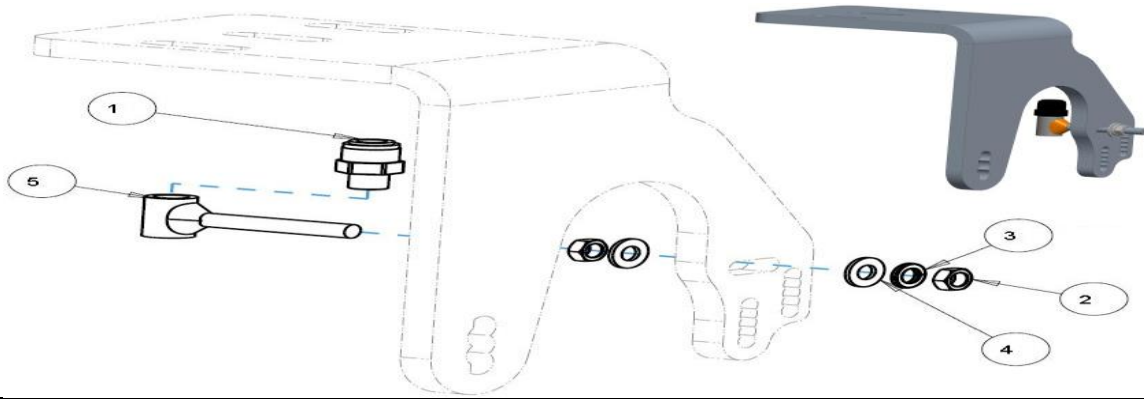
ITEM	PART #	DESCRIPTION	QTY
1	2502-244	3/8 – 16 X 1 ¼ HHCS GR 5 ZP	1
2	2502-251	3/8 – 16 X 3 HHCS GR 8 ZP	2
3	2520-251	3/8 – 16 HEX NUT ZP	3
4	2525-251	3/8 MEDIUM LOCK WASHER ZP	3
5	2526-253	3/8 SAE FLAT WASHER ZP	4
6	2570-727	3/8 HOSE P-CLIP W/ VINYL CUSHION	1
7	2968-229-L	LH KNIFE TUBE	1
8	2968-396-L	LH TORSION SPRING	1
9	2968-401	STEPPED BUSHING	1
10	2968-402	STOP BUSHING	1

## 2968-090A-R PARTS IDENTIFICATION



ITEM	PART #	DESCRIPTION	QTY
1	2502-244	3/8 – 16 X 1 ¼ HHCS GR 5 ZP	1
2	2502-251	3/8 – 16 X 3 HHCS GR 8 ZP	2
3	2520-251	3/8 – 16 HEX NUT ZP	3
4	2525-251	3/8 MEDIUM LOCK WASHER ZP	3
5	2526-253	3/8 SAE FLAT WASHER ZP	4
6	2570-727	3/8 HOSE P-CLIP W/ VINYL CUSHION	1
7	2968-229-R	RH KNIFE TUBE	1
8	2968-396-R	RH TORSION SPRING	1
9	2968-401	STEPPED BUSHING	1
10	2968-402	STOP BUSHING	1

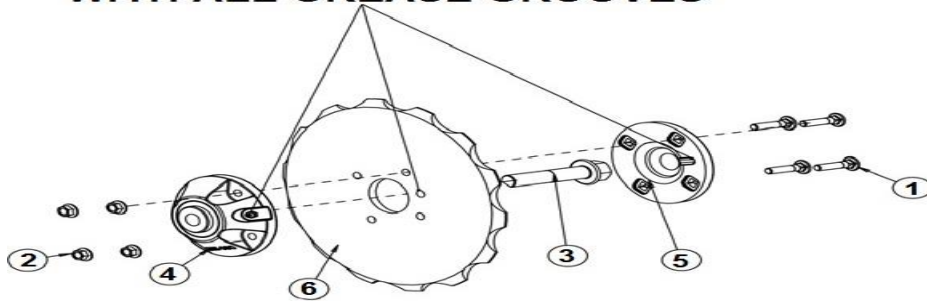
## 2968-091 PART IDENTIFICATION



ITEM	PART #	DESCRIPTION	QTY
1	2515-846	MALE CONNECTOR – 3/8 X 1/4 NPTF	1
2	2520-253	3/8 – 16 JAM HEX NUT ZP	2
3	2525-251	3/8 MEDIUM LOCK WASHER ZP	1
4	2526-253	3/8 SAE FLAT WASHER ZP	2
5	2968-218	INJECTOR HOLDER	1

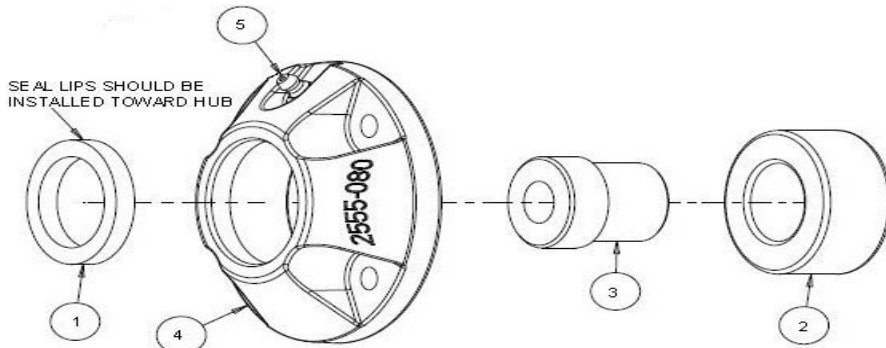
## 2968-132 (SHOWN) 10" WHEEL ASSEMBLY & 2968-133 11" WHEEL ASSEMBLY PARTS IDENTIFICATION

**MUST ALIGN GREASE ZERK WITH ALL GREASE GROOVES**



ITEM	PART #	DESCRIPTION	QTY
1	2505-207	5/16 – 18 X 1 1/4 CARRIAGE BOLT GR 5 ZP	4
2	2520-206	5/16 – 18 FLANGE LOCK NUT	4
3	2570-740	D-BOLT, FLANGED, 5/8 – 11 X 2.812 GR 8	1
4	2965-128	HUB & BEARING, 4 BOLT	1
5	2965-352	HUB CAP, 4 BOLT, BLACK	1
6	2968-320	10.05 X .256 FERTILIZER WHEEL (SHOWN)	1
	2968-364	11.05 X .256 FERTILIZER WHEEL	1

## 2965-128 HUB/BEARING PART ID



ITEM	PART #	DESCRIPTION	QTY
1	2550-069	TRIPLE LIP SEAL, NTI# 1812-5	1
2	2570-594	BEARING, 2 ROW	1
3	2570-715	BEARING INSERT	1
4	2965-351	HUB CASTING, MACHINED, 4 BOLT	1
5	2533-110	1/4 - 28 SELF-TAP ZERK, STRAIGHT	1

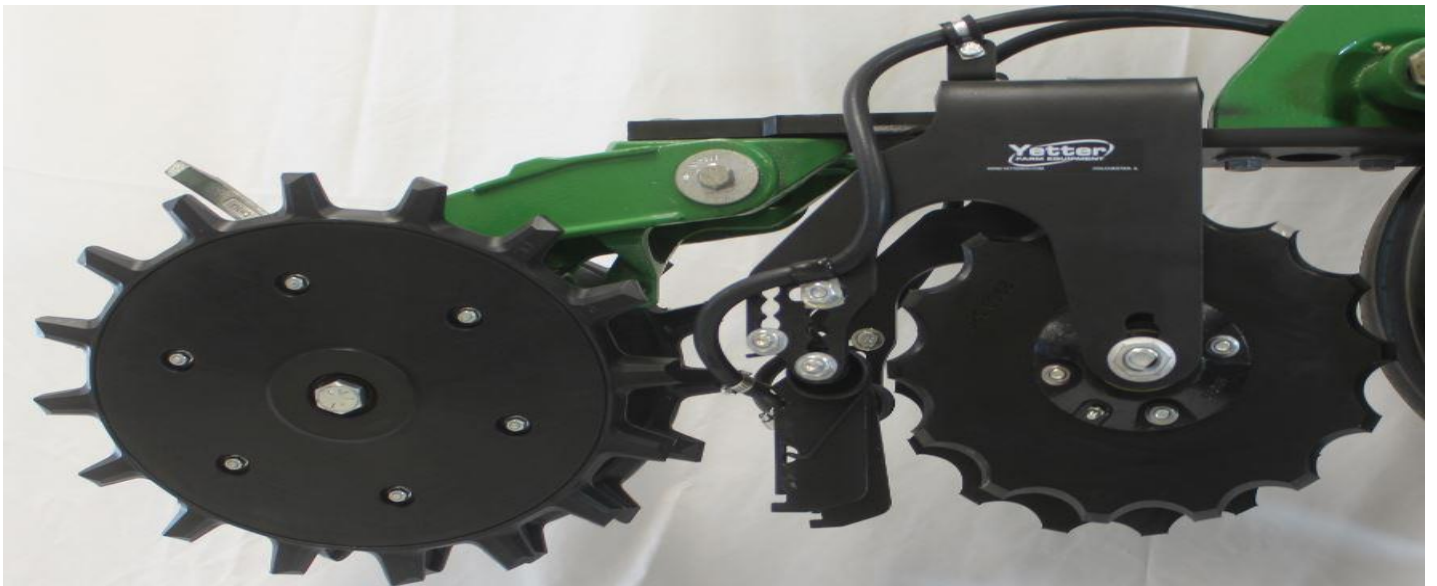


# TROUBLESHOOTING

<u>ISSUE</u>	<u>CAUSE</u>	<u>SOLUTION</u>
2968 UNITS PLUGGING WITH RESIDUE	<ul style="list-style-type: none"> <li>- PLANTER UNITS AREN'T EQUIPPED WITH ROW CLEANERS</li> <li>- ROW CLEANERS AREN'T SET AGGRESSIVE ENOUGH</li> <li>- KNIFE (IF EQUIPPED) DRAGGING RESIDUE</li> <li>- TOO MUCH RESIDUE IN THE SOIL PROFILE</li> <li>- RESIDUE BEING THROWN INTO CLOSING WHEELS</li> </ul>	<ul style="list-style-type: none"> <li>- ADD ROW CLEANERS TO PLANTER UNITS</li> <li>- ADJUST ROWS TO CLEAR MORE TRASH FROM THE ROW</li> <li>- ADJUST KNIFE POSITION HIGHER</li> <li>- REPLACE DULL BLADE TO HELP CUT RESIDUE BETTER</li> <li>- ADJUST FERTILIZER WHEELS WIDER</li> </ul>
2968 BLADES NOT PENETRATING	<ul style="list-style-type: none"> <li>- NOT ENOUGH ROW UNIT DOWN FORCE</li> <li>- DULL FERTILIZER BLADES</li> <li>- TOOLBAR NOT HEAVY ENOUGH</li> <li>- PLANTER TOOLBAR NOT LEVEL FRONT TO BACK</li> </ul>	<ul style="list-style-type: none"> <li>- APPLY MORE ROW UNIT DOWN FORCE</li> <li>- REPLACE FERTILIZER BLADES</li> <li>- ADD WEIGHT TO TOOLBAR</li> <li>- LEVEL PLANTER TOOLBAR</li> </ul>
FERTILIZER SPLATTER	<ul style="list-style-type: none"> <li>- TOO MUCH PRESSURE AT TIP</li> <li>- INJECTOR TIP ALIGNED WITH DISC SLOT</li> </ul>	<ul style="list-style-type: none"> <li>- CHECK FERTILIZER PRESSURE, 20-30PSI AT TIP</li> <li>- ADJUST INJECTOR TO ALIGN STREAM OF FERTILIZER IN SLOT</li> </ul>









A Tradition of Solutions since 1930

Yetter Farm Equipment Co

PO BOX 358 109 S. McDonough

Colchester, IL 62326-0358

Phone: 309-776-4111

Toll Free: 800-447-5777

Email: [info@yetterco.com](mailto:info@yetterco.com)

For updated models and manuals visit the Yetter website:

[www.yetterco.com](http://www.yetterco.com)

© Yetter Farm Equipment Co. All Rights Reserved

2565-951\_REV\_C – 01/2020