

# 6 SERIES AGROTRON



DEUTZ-FAHR  
6 SERIES Power Shift Agrottron  
6 SERIES TTV Agrottron



*SOME OPTIONS AND/OR SPECIFICATIONS SHOWN MAY NOT BE AVAILABLE IN ALL MARKETS*

Technical data		6 SERIES Agrotion		
		6155	6175	6215
<b>ENGINE</b>				
Manufacturer		DEUTZ	DEUTZ	DEUTZ
Model		TCD 6.1 L06	TCD 6.1 L06	TCD 6.1 L06
Emissions		Stage 4 (Tier4 Final)	Stage 4 (Tier4 Final)	Stage 4 (Tier4 Final)
Cylinder / Displacement	No.	6	6	6
Turbo intercooler		●	●	●
Viscodynamic fan		●	●	●
Deutz Common Rail (DCR)	PSI	23,200	23,200	23,200
Power at rated engine speed (ECE R 120)	hp	149	169	201
Max. power (ECE R 120)	hp	156	176	212
Power at rated engine speed with boost (ECE R 120)	hp	-	-	214
Max. power with boost (ECE R 120)	hp	-	-	226
Homologated Engine power in accordance with delegated regulation (EU) 2015/96	hp	149	169	214
Engine speed at maximum power	rpm	1900	1900	1900
Max. engine speed (rated)	rpm	2100	2100	2100
Maximum torque	lb-ft	489	545	655
Engine speed at maximum torque	rpm	1500	1500	1500
Torque rise	%	33	31	24
Electronic engine governor		●	●	●
Air filter with dust ejector		●	●	●
Exhaust After Treatment (EGR+DPF+SCR)		●	●	●
Fuel tank capacity	gal	74	74	115
AdBlue tank capacity	gal	9.2	9.2	13.2
<b>TRANSMISSION</b>				
Manufacturer		ZF	ZF	ZF
Model (Manual)		TPT16 / TPT16 RCshift	TPT16 / TPT16 RCshift	TPT20 / TPT20 RCshift
Number of speeds	No.	30+15	30+15	30+15
Powershift number of speeds (forward/reverse)	No.	6/3	6/3	6/3
Minimum speed with creeper gear	mph/kph	0.23/0.37	0.23/0.37	0.24/0.39
Max speed 50 Km/h (Manual/RCshift)	Km/h@rpm	-	-	50@1863 / 50@1447
Max speed 40 Km/h (Manual/RCshift)	Km/h@rpm	40@1575 / -	40@1575 / -	40@1490 / 40@1158
Driving Strategies (Manual/Semi-Auto/Full Auto) (RCshift only)		●	●	●
Automatic Powershift (RCshift only)		●	●	●
SpeedMatching		●	●	●
SenseShift		●	●	●
PowerShuttle with 5 adjustment levels		●	●	●
ComfortClutch		●	●	●
Multiplate wet clutch electrohydraulically operated		●	●	●
<b>PTO</b>				
PTO 540/540E/1000/1000E		●	●	●
AUTO PTO		●	●	●
Front PTO 1000		○	○	○
<b>AXLES AND BRAKES</b>				
Front axle manufacturer		Carraro	Carraro	Dana
Front axle model		20.29	20.29	M60L
Suspended front axle		○	○	○
Front axle with brakes		○	○	○
Agrosky autosteering predisposition with EasySteer function		○	○	○
Front and rear (50 or 100 mm) spacers		○	●	○
Front wheel drive electrohydraulically engaged		●	●	●
Electrohydraulically operated front and rear differential lock		●	●	●
Four-wheel braking system with automatic 4WD engagement		●	●	●
Powerbrake		●	●	●
Mechanical parking brake		●	○	●
Hydraulic trailer braking valve		○	○	○
Trailer air braking valve		○	○	○
Hydrostatic steering with independent pump		●	●	●
Steering pump capacity	gpm	13.2	13.2	13.2
Steering angle	degree	52	52	52

Technical data		6 SERIES Agrotion		
		6155	6175	6215
<b>HYDRAULIC SYSTEM AND LIFT</b>				
Variable displacement pump (load sensing) (standard)	gpm	31	32	31
Variable displacement pump (load sensing) (optional)	gpm	42	42	42
Auxiliary rear mechanical distributors (standard)	No.	2	4	2
Auxiliary rear mechanical distributors (optional)	No.	4	4	4
Auxiliary rear electrohydraulic distributors (RCshift only)	No.	4/5	5	4/5
Auxiliary front hydraulic distributors (ComfortPack)	No.	1/2	1/2	1/2
Power beyond		○	○	○
Electronically controlled rear lift		●	●	●
Radar		○	○	○
Rear lift capacity	lb	20,250	20,250	22,025
Right hand tie-rod and third mechanical point		●	●	●
Right hand tie-rod and third hydraulic point		○	●	○
Auto-hitch coupling bars		●	●	●
Controls on mudguard		●	●	●
Mechanical front lift with retractable coupling bars		○	○	○
Front lift capacity	lb	9,050	9,050	11,000
Quick couplers		●	●	●
<b>ELECTRICAL SYSTEM</b>				
External power outlet socket		●	●	●
Power outlet socket for sup. amperage		●	●	●
Implements interface ISO 11786		○	○	○
Implements interface ISO 11783		○	○	○
<b>CAB</b>				
MaxiVision or MaxiVision 2		●	●	●
MaxCom joystick (RCshift only)		●	●	●
iMonitor2 (12")		○	○	○
InfoCentre <sup>pro</sup> (5")		●	●	●
Agrosky system		○	○	○
ComforTip (Headland Management)		-	-	-
ComforTip professional (only with iMonitor2)		○	●	○
Max-Comfort Professional XL seat		●	●	●
Max-Comfort Dynamic XL seat		○	●	○
Padded instructor's seat		●	●	●
Mechanical cab suspension		●	●	○
Pneumatic cab suspension		○	○	○
Air conditioning		●	●	●
Automatic A/C system		○	○	○
Anti-UV high visibility roof with		○	○	○
Wiring for audio system with speakers		●	●	●
Telescopic external mirrors		●	●	●
Telescopic external electric and heated mirrors		○	○	○
Light control panel		●	●	●
Halogen work lights		●	●	●
4 Generation LED work lights		○	○	○
Integrated driving LED lights		○	○	○
Coming home function		●	●	●
<b>DIMENSIONS AND WEIGHTS</b>				
Wheelbase	in	109	109	112
Length (min-max)*	in	163-225	170-225	173-228
Height (min-max)**	in	115-119	119-121	122-124
Width (min-max)**	in	95-100	97-100	98-107
Ground clearance (min-max)**	in	14-18	18-20	21-27
Total unladen weight	lb	14,875	16,755	18,364
Maximum permissible total weight	lb	25,350	27,550	29,750

●: standard ○: optional -: not available

\*Min length: from front hood to the rear lift arm in upper position / Max length: from front ballast with front-lift to the rear lift arm in lower position

\*\*Min-Max: according to tires and equipment

Technical data		6 SERIES TTV Agrottron		
		6155 TTV	6175 TTV	6215 TTV
<b>ENGINE</b>				
Manufacturer		DEUTZ	DEUTZ	DEUTZ
Model		TCD 6.1 L06	TCD 6.1 L06	TCD 6.1 L06
Emissions		Stage 4 (Tier4 Final)	Stage 4 (Tier4 Final)	Stage 4 (Tier4 Final)
Cylinder / Displacement	No.	6	6	6
Turbo intercooler		●	●	●
Electronic Viscostatic fan		●	●	●
Deutz Common Rail (DCR)	PSI	23,200	23,200	23,200
Power at rated engine speed (ECE R 120)	hp	149	169	201
Max. power (ECE R 120)	hp	156	176	212
Power at rated engine speed with boost (ECE R 120)	hp	-	-	214
Max. power with boost (ECE R 120)	hp	-	-	226
Homologated engine power in accordance with delegated regulation (EU) 2015/96	hp	149	169	214
Engine speed at maximum power	rpm	1900	1900	1900
Max. engine speed (rated)	rpm	2100	2100	2100
Maximum torque	lb-ft	489	545	655
Engine speed at maximum torque	rpm	1500	1500	1500
Torque rise	%	33	31	24
Electronic engine governor		●	●	●
Exhaust engine brake		○	○	○
Air filter with dust ejector		●	●	●
Exhaust After Treatment (EGR+DPF+SCR)		●	●	●
Fuel tank capacity	gal	74	74	115
DEF tank capacity	gal	9.2	9.2	13.2
<b>TTV TRANSMISSION</b>				
Manufacturer		ZF	ZF	ZF
Model		Eccom 1.5/1.5 HD	Eccom 1.5/1.5 HD	S-Matic 180+
Number of internal ranges	No.	4	4	4
Max speed 50 Km/h	Km/h@rpm	-	50@1834/50@2100	50@2100
Max speed 40 Km/h	Km/h@rpm	40@1431/40@1641	40@1431/40@1641	40@1647
PowerZero		●	●	●
Cruise speed	No.	2 forward + 2 reverse	2 forward + 2 reverse	2 forward + 2 reverse
Driving Strategies (Auto/Manual/PTO)		●	●	●
Eco/Power control		●	●	●
Hydraulic reverse PowerShuttle		●	●	●
PowerShuttle with 5 adjustment levels		●	●	●
<b>PTO</b>				
PTO 540/540E/1000/1000E		●	●	●
AUTO PTO		●	●	●
Front PTO 1000		○	○	○
<b>AXLES AND BRAKES</b>				
Front axle manufacturer		Carraro	Carraro	Dana
Front axle model		20.29	20.29	M60L
Adjustable rear axle		○	○	○
Front and rear (50 or 100 mm) spacers		○	○	○
Suspended front axle		○	○	○
Front axle with brakes		○	○	○
Agrosky autosteering predisposition with EasySteer function		○	○	○
Front wheel drive electrohydraulically engaged		●	●	●
Electrohydraulically operated front and rear differential lock		●	●	●
Four-wheel braking system with automatic 4WD engagement		●	●	●
Powerbrake		●	●	●
EPB (Electronic Parking Brake)		●	●	●
Hydraulic trailer braking valve		○	○	○
Trailer stretch function		●	●	●
Trailer air braking valve		○	○	○
Trailer air + hydraulic braking valve		○	○	○
Hydrostatic steering with independent pump		●	●	●
Steering pump capacity	gpm	13.2	13.2	13.2
Steering angle	degree	52	52	52

Technical data and pictures are manufacturer's estimates. DEUTZ-FAHR reserves the right to update the specifications of its machines at any time without notice. Max speed of 50 kph where permitted. Max 40/50 kph at low rpm according to tires size.

Technical data	6 SERIES TTV Agrotрон			
		6155 TTV	6175 TTV	6215 TTV
<b>HYDRAULIC SYSTEM AND LIFT</b>				
Manufacturer		Bosch	Bosch	Bosch
Variable displacement pump (standard)	gpm	32	32	32
Variable displacement pump (optional)	gpm	42	42	42
Closed centre hydraulic system (load sensing)		●	●	●
Auxiliary rear electrohydraulic distributors (standard)	No.	4	4	4
Auxiliary rear electrohydraulic distributors (optional)	No.	5	5	5
Auxiliary front electrohydraulic distributors (optional)	No.	1/2	1/2	1/2
Electrohydraulic control with flow regulator and timer		●	●	●
Power beyond		○	○	○
Maximum deliverable quantity of oil	gal	10.5	10.5	10.5
Separate oil tank	gal	13.2	13.2	13.2
Electronically controlled rear lift		●	●	●
Radar		○	○	○
Rear lift capacity	lb	20,250	20,250	22,025
Right hand tie-rod and third mechanical point		●	●	●
Auto-hitch coupling bars		●	●	●
Controls on mudguard		●	●	●
Electronically controlled front lift		○	○	○
Front lift capacity	lb	9,050	9,050	11,000
Quick couplers		●	●	●
<b>ELECTRICAL SYSTEM</b>				
External power outlet socket		●	●	●
Power outlet socket for sup. amperage		●	●	●
Implements interface ISO 11786		○	○	○
Implements interface ISO 11783		○	○	○
<b>CAB</b>				
MaxiVision 2		●	●	●
MaxCom multifunction armrest		●	●	●
iMonitor2 (12")		○	○	○
WorkDisplay		●	●	●
InfoCentre <sup>pro</sup> (5")		●	●	●
Agrosky system		○	○	○
ComforTip (Headland Management)		●	●	●
ComforTip professional (only with iMonitor2)		○	○	○
Max-Comfort Dynamic XL seat		●	●	●
Max-Comfort Dynamic XXL seat		○	○	○
Max-Comfort Evolution Active DDS seat		○	○	○
Padded instructor's seat		●	●	●
Mechanical cab suspension		●	●	●
Pneumatic cab suspension		○	○	○
Air conditioning		●	●	●
Automatic A/C system		○	○	○
Anti-UV high visibility roof with		○	○	○
Wiring for audio system with speakers		●	●	●
Telescopic external mirrors		●	●	●
Telescopic external electric and heated mirrors		○	○	○
Light control panel		●	●	●
Halogen work lights		●	●	●
4 Generation LED work lights		○	○	○
Integrated driving LED lights		○	○	○
Ambience light		●	●	●
Coming home function		●	●	●
<b>DIMENSIONS AND WEIGHTS</b>				
Wheelbase	in	109	109	112
Length (min-max)*	in	163-225	170-225	173-228
Height (min-max)**	in	115-119	119-121	122-124
Width (min-max)**	in	95-100	97-100	98-107
Ground clearance (min-max)**	in	14-18	18-20	21-27
Total unladen weight	lb	17,262	18,275	18,900
Maximum permissible total weight	lb	25,350	27,550	29,750

●: standard ○: optional -: not available

\*Min length: from front hood to the rear lift arm in upper position / Max length: from front ballast with front-lift to the rear lift arm in lower position

\*\*Min-Max: according to tires and equipment

# PREMIUM GERMAN LOADERS



For over 25 years, Deutz-Fahr has been using premium German Stoll loaders and implements. They are designed to lift more and load more with maximum efficiency.



↑ Stoll loaders are built to match your Deutz-Fahr.



↑ Excellent visibility even at maximum height.

# PROFILINE FZ

## SELF LOADING LOADERS FROM STOLL

			FZ 50/50.1	FZ 60/60.1
Series			6 Series Agrotron	6 Series Agrotron
<b>DIMENSIONAL SPECIFICATIONS</b>				
A	Maximum Lift Height at Pivot Point	in	168	176
B	Maximum Lift Height under Level Bucket	in	159	167
C	Overloading Height	in	126	134
D	Reach at Maximum Lift Height	in	31	31
E	Maximum Dump Angle	deg	59	59
F	Maximum Rollback Angle	deg	46	46
G	Digging Depth	in	8.3	8.3

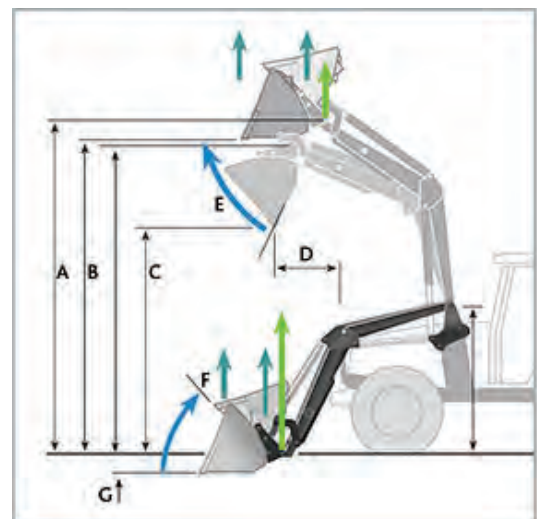
<b>LIFT CAPACITY at 2828psi (195 bar)</b>				
AT PIVOT PIN, MAX LIFT HEIGHT		lbf	5308	5853
AT PIVOT PIN, GROUND LEVEL		lbf	6516	6824

AT 31.5" FORWARD OF PIVOT POINT, MAX LIFT HEIGHT		lbf	5308	5853
AT 31.5" FORWARD OF PIVOT POINT, GROUND LEVEL		lbf	6516	6824

<b>BUCKET ROLLBACK FORCE at 31.5" / 800mm forward of pivot point</b>				
AT GROUND LEVEL		lbf	8877	8824

WEIGHT (loader boom only)		lbs	1499	1742
---------------------------	--	-----	------	------

- ✓ Front loader lifting arms made from fine grain steel
- ✓ Z-kinematics, internal control rod
- ✓ Concealed hydraulic pipes with service access
- ✓ Dual-action hydraulic cylinders
- ✓ DX bushings for all loader pivot points
- ✓ COMFORT-DRIVE
- ✓ Standard 3rd service diverter
- ✓ Optional: Live 3rd function



Dealer

Deutz-Fahr America  
535 Hurricane Shoals Court  
Suite 100  
Dacula, GA 30019  
[www.deutz-fahramerica.com](http://www.deutz-fahramerica.com)



Precision Production  
Premium Tractors



Deutz-Fahr and its logos are trademarks of Same Deutz-Fahr Italia S.P.A. in the U.S. and other countries used under license by PFG America, LLC. PFG America and logo are trademarks licensed to PFG America, LLC, which is the exclusive distributor of the Deutz-Fahr brand in the USA. Other logos are the trademarks of their respective owners. The standard and optional equipment and the availability of individual models might vary from one country to the next. PFG America reserves the right to undertake modifications without prior notice to the design and technical equipment at all times without any obligation whatsoever to make such modifications to units already sold. This brochure is for descriptive purposes only and while reasonable efforts were made to ensure that the specifications, descriptions, and illustrations in this brochure are correct at the time of printing, these are also subject to change without prior notice. Illustrations might show optional equipment, and might not show all standard equipment. PFG America disclaims all representations and warranties, express or implied, or any liability from the use or reliance upon this brochure. Power and other specifications are based on various standards or recommended practices not addressed herein. ©2018 PFG America, LLC. All Rights Reserved.