

5 SERIES 106-126 HP



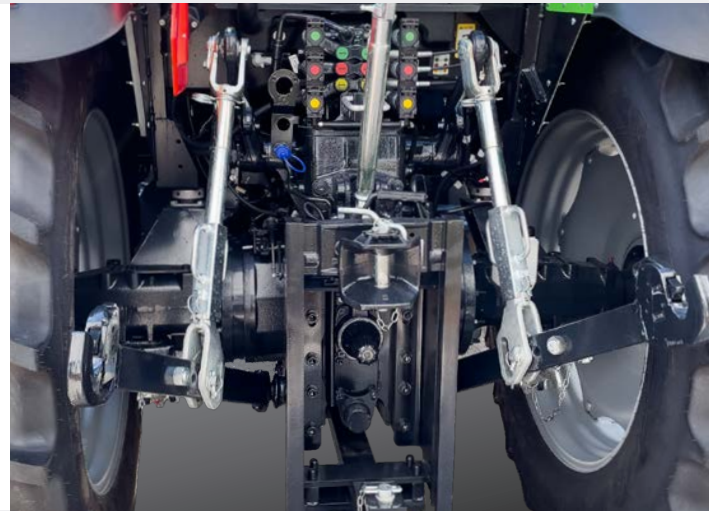


Power and Performance

A proven engine with a long history of reliability is at the heart of the new 5 Series. These tractors are designed with FARMotion 4-cylinder, 3.8L engines that deliver high torque and excellent fuel economy. Power levels start at 106 hp for the 5105 model and 126 hp for the 5125 model, making the new power rating of the 5125 our most powerful utility tractor to date. The PTO power is excellent in this range as this engine was designed specifically for agricultural tractors.

Transmission and PTO

Our transmissions are proven reliable with nearly 20 years of service history. Standard for the 5 Series is the electro-hydraulic power shuttle with sense clutch. This gives the operator 5 easily selectable shuttle sensitivity settings, from a soft setting for ultra smooth shuttling to the high setting for aggressive loader work. The number of speeds for this transmission is 40 forward and 40 reverse. To top it off, we offer a class-leading 2-speed powershift as standard equipment. Both models also offer standard and economy PTO for maximum versatility.



Mechanical Front Wheel Drive Axle

The Deutz-Fahr 5 Series is designed for heavy loads and unique terrain. That's why it comes standard with a MFWD front axle with built-in 4-wheel braking. This feature gives farmers, contractors, and municipalities the ultimate in braking performance and safety. Our heavy duty front axles are built in-house and are designed to withstand the loads from our heavy duty loaders. The engagement of the front wheel drive axle is as simple as the push of a button. Our axles have proven over time to be a perfect match for this utility class tractor.

Hydraulics

The hydraulic system for the 5 Series features dedicated pumps, both for implements and steering. This means that you have full flow to both steering and implement needs, no matter what the demand. Standard features on this series are 3 rear remotes with an adjustable flow control and a free flow return. The rear linkage is also standard with automatic link ends and impressive rear lifting capacity.





Convenient, Comfortable Layout

Operators work day in, day out from the inside of the cab. From the premium components to the well thought out comfort features, the 5 Series cabs stand out among others in its class. Thanks to the Hydro Silent-Block hydraulic cab suspension mounting, our cab ensures the smoothest and quietest ride in the industry. The tilt and telescoping wheel ensures that no matter the operator, a comfortable driving position can be found. Additionally, when the wheel is tilted, the dash panel moves with the wheel ensuring that you always have perfect visibility to the instrument panel.

When it comes to staying cool during hot summer days or warm in the winter, the 5 Series cabs have an excellent heating and cooling system inside to keep a regulated temperature all year round.

Practicality and Visibility

In addition to the comfort of the cab, we offer a high level of standard features. Air ride operators seats with instructional seats come standard, as well as a cell phone holder, USB charging ports, deluxe DAB Bluetooth radio, and monitor mounting brackets.

Another great feature that operators love is a high-visibility panel in the roof that offers extra ventilation while giving perfect visibility to loader booms when lifted to max position. For working late nights, lighting is especially important, both inside and outside the cab. In addition to the front headlights in the hood, we offer 12 working lights to easily illuminate any working environment.



Learn more at
deutz-fahramerica.com



5105

106 Horsepower

Fuel Efficient 3.8L Engine

40x40 Transmission

9,975 lb Rear Lift Capacity

5105

ENGINE

FARMotion
106 HP (Gross)
4 cyl. / 3.8 L

TRANSMISSION

Sense clutch with 5
adjustment levels
40 x 40 transmission

HYDRAULICS

14.5 GPM pump output (std)
3 rear remote valves
Flow control and free flow return
standard

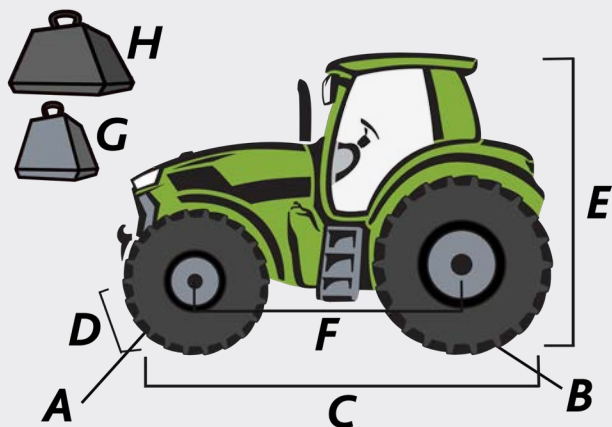
LIFT CAPACITY

Rear lift capacity: 9,975 lb
Max. permissible total
weight: 14,300 lb

5105

SPECIFICATIONS

A	Standard Front Tires	420/70 R24
B	Standard Rear Tires	480/70 R34
C	Length (in)	168
D	Width (in)	81
E	Height (in)	105.5
F	Wheelbase (in)	94.5
G	Base Weight (lb)	8,820
H	Max. Weight (lb)	14,330





Learn more at
deutz-fahramerica.com



5125

126 Horsepower

Fuel Efficient 3.8L Engine

40x40 Transmission

11,900 lb Rear Lift Capacity

5125

ENGINE

FARMotion
126 HP (Gross)
4 cyl. / 3.8 L

TRANSMISSION

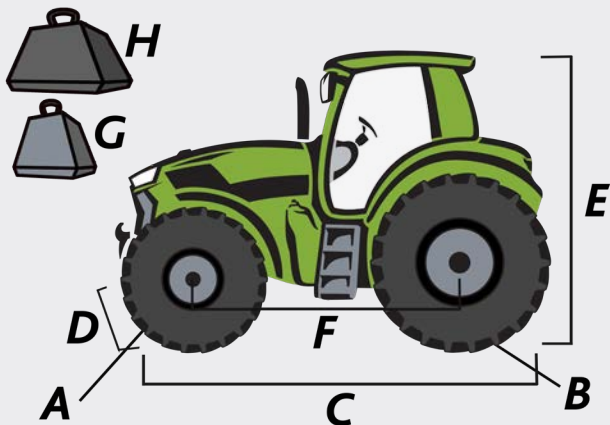
Sense clutch with 5
adjustment levels
40 x 40 transmission

HYDRAULICS

14.5 GPM pump output (std)
3 rear remote valves
Flow control and free flow
return standard

LIFT CAPACITY

Rear lift capacity: 11,900 lb
Max. permissible total
weight: 16,500 lb



5125

SPECIFICATIONS

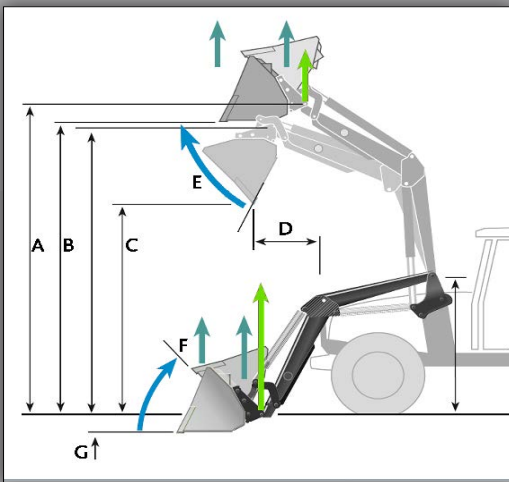
A	Standard Front Tires	440/65 R28
B	Standard Rear Tires	540/65 R38
C	Length (in)	168
D	Width (in)	81
E	Height (in)	105.5
F	Wheelbase (in)	94.5
G	Base Weight (lb)	9,590
H	Max. Weight (lb)	16,530

Technical Data		5105	5125
ENGINE			
Type		FARMotion 45	
Aspiration		Turbo Intercooler	
Cylinders/Displacement	no./liters	4 / 3.849	
Max. power @ 2000 rpm	hp	106	126
Rated power @ 2200 rpm	hp	101	120
Max. torque @ 1400 rpm	ft-lb	313	374
Torque rise	%	32	31
Fuel tank / AdBlue	gal	38.3 / 2.6	38.3 / 2.6
TRANSMISSION			
PowerShuttle with Stop&Go		•	
Max. Speed	mph	24.5	
HI-LO TRANSMISSION			
N° of speed	n°	40 + 40 with creepr and underdrive	
PTO			
Electrohydraulic engagement		•	
PTO speeds		540/540E	540/540E/1000/1000E
LIFT			
Mechanical rear lift		•	-
Electronic rear lift		-	•
Rear lifting capacity (STD / OPT)	lb	7,935	11,900
Rear lift link category	cat.	Cat. II Automatic	Cat. II Automatic
HYDRAULICS			
Single pump hydraulic system (STD)	gal/min	14.5	
Free Flow Return		Standard	
Rear spool valves	n°	3	
BRAKES			
4 wheel braking		•	
Mechanical parking brake		•	
FRONT AXLE			
Steering angle	°	55	
Electrohydraulic engagement for 4WD and Diff.Lock		•	
Independent steering pump		•	
CAB			
High visibility roof		•	
HVAC		•	
Air ride suspension seat		•	
Passenger seat		•	
External controls on rear mudguard for power take-off		•	
External controls on rear mudguard for three point linkage		-	•
DAB radio with Bluetooth and USB		•	
Bracket for external monitor / device		•	
12 work lights		•	

• = standard – = not available

Technical Data		5105	5125
DIMENSION			
With front tire	Size	420/70 R24	440/65 R28
With rear tire	Size	480/70 R34	540/65 R38
Wheelbase (A)	in	94.5	94.5
Max. length (B)	in	168	168
Total height (C)	in	105.6	107
Width (E)	in	81.1	87
Front tracks with adjustable rims (min-max)	in	65.4 - 77.8	68.1 - 83.9
Rear tracks with adjustable rims (min-max)	in	63.1 - 78.8	67.2 - 82.9
Weight	lb	8,820	9,590
Total admissible load	lb	14,330	16,530

• = standard ◦ = option – = not available



Series (& Loader)			5105 FZ46-33.1	5125 FZ46-33.1
DIMENSIONAL SPECIFICATIONS				
A	Maximum lift height at pivot point	in	152	
B	Maximum lift height under level bucket	in	143	
C	Clearance with bucket dumped	in	110	
D	Reach at maximum lift height	in	28	
E	Maximum dump angle (full lift height)	deg	57	
F	Maximum rollback angle (ground level)	deg	44	
G	Digging depth	in	8.3	



LIFT CAPACITY at 2828psi (195 bar)		
At pivot pin, max lift height	lbf	3417
At pivot pin, ground level	lbf	5070

At 31.5" forward of pivot point, max lift height	lbf	3417
At 31.5" forward of pivot point, ground level	lbf	5070

Bucket Rollback Force at 31.5" / 800mm forward of pivot point		
At ground level	lbf	6415

Weight (loader boom only)	lb	1330
---------------------------	----	------

