


THIS DRAWING IS CONFIDENTIAL AND IS THE EXCLUSIVE PROPERTY OF REDTRONIC LTD.  
NO UNAUTHORISED USE, COPY OR DISCLOSURE OF THE DRAWING IS TO BE MADE AND IT IS TO BE RETURNED WHENEVER REQUIRED.

PROJECTION  
  
 IF IN DOUBT ASK  
**A3**

SCALE 1:1  
 DrawnBy WJO  
 DATE 28/03/2022  
 WEIGHT 37.99 g

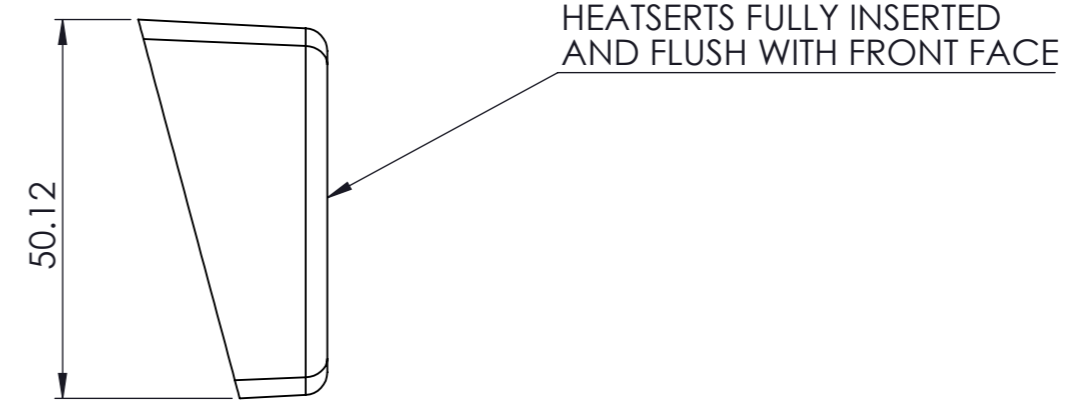
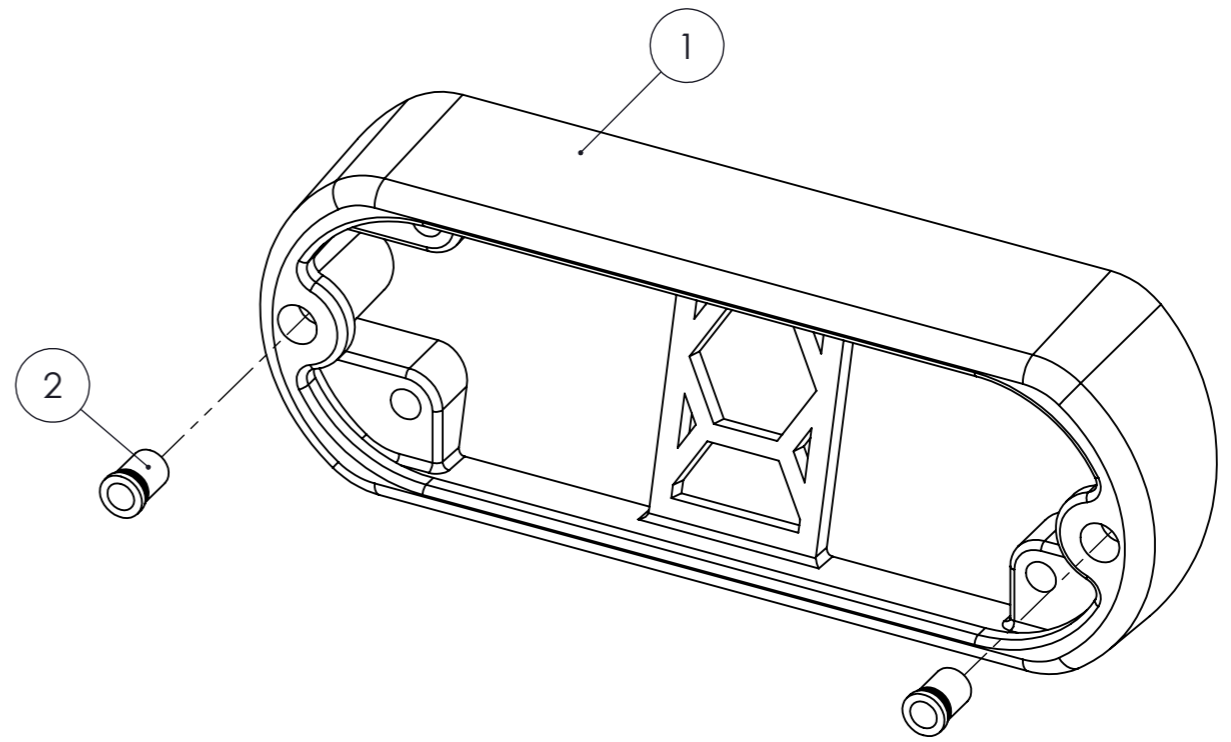
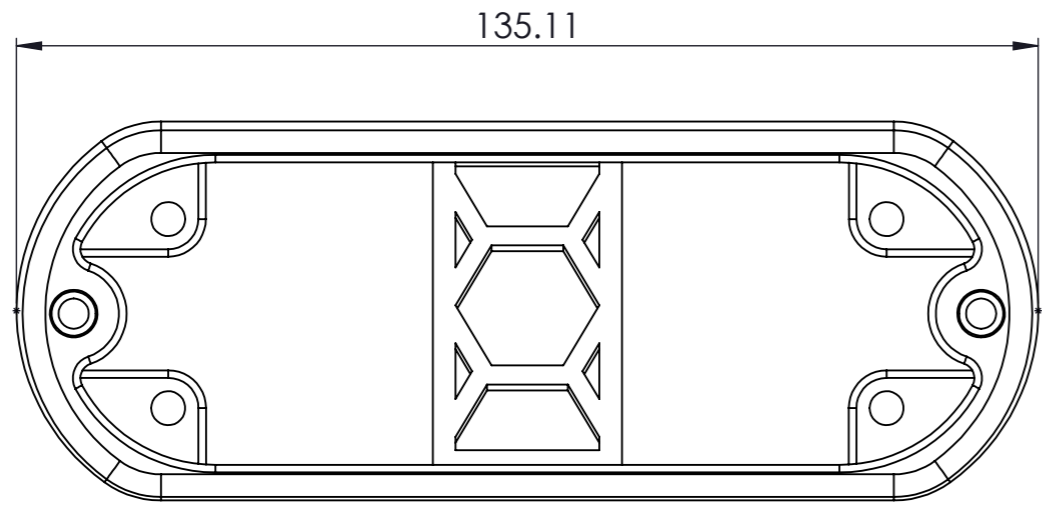
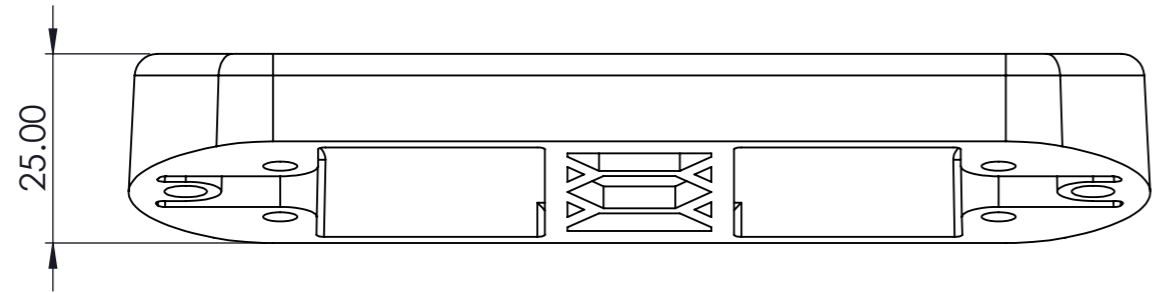
UNLESS STATED  
 DIMENSIONS MM  
 TOL. LINEAR ±0.3  
 TOL. DIAGONAL ±0.5  
 TOL. ANGULAR ±0.5

MATERIAL ASA 20% INFILL  
 FINISH BLACK BLACK




Description  
**STX 15' WEDGE**  
 SHEET. 1 OF 2 DWG NO STX-W15 REV A

ITEM NO.	PART NUMBER	DESCRIPTION	QTY.
1	STX-W15	STX 15' WEDGE	1
2	237M4-03	TAPPEX TRISERT M4 LONG HEAD NICKEL PLATED	2



THIS DRAWING IS CONFIDENTIAL AND IS THE EXCLUSIVE PROPERTY OF REDTRONIC LTD.  
NO UNAUTHORISED USE, COPY OR DISCLOSURE OF THE DRAWING IS TO BE MADE AND IT IS TO BE RETURNED WHENEVER REQUIRED.

PROJECTION  
  
 IF IN DOUBT ASK  
**A3**

SCALE 1:1  
 DrawnBy WJO  
 DATE 28/03/2022  
 WEIGHT 37.99 g

UNLESS STATED  
 DIMENSIONS MM  
 TOL. LINEAR ±0.3  
 TOL. DIAGONAL ±0.5  
 TOL. ANGULAR ±0.5

MATERIAL	ASA 20% INFILL
FINISH	BLACK



Description	STX 15' WEDGE	
SHEET.	2 OF 2	DWG NO STX-W15
REV	A	