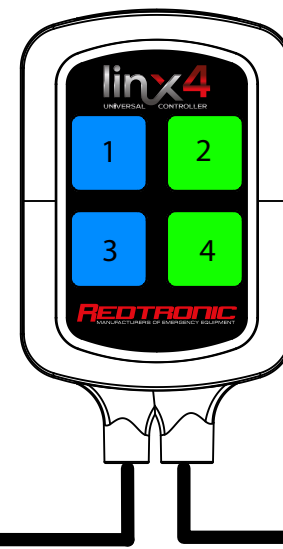
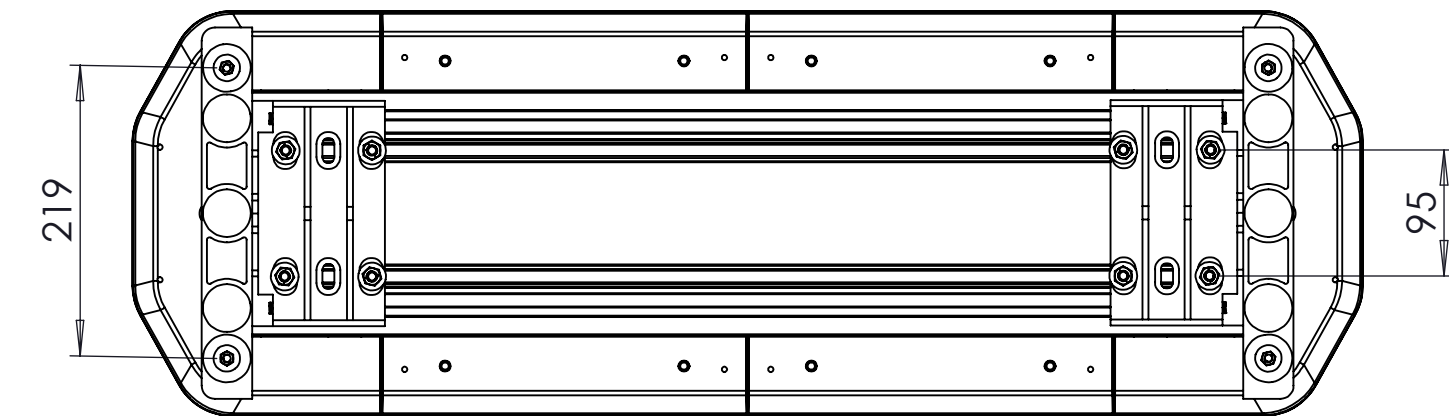


single cables running from terminal block to the cable exit



300CM

100CM

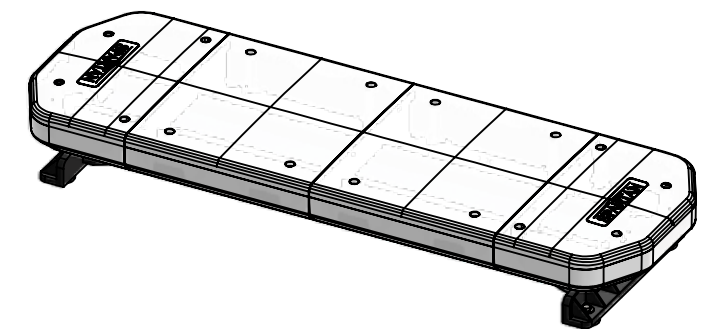


	FUNCTION	SUPPLY	TRIGGER
2mm	POWER & SIREN STANDBY	POSITIVE (+VE)	LATCHING
2mm	LIGHTS	POSITIVE (+VE)	LATCHING
1.28	SIREN TRIGGER & TONE	POSITIVE (+VE)	MOMENTARY
1.28	LIGHTS DIM MODE	POSITIVE (+VE)	LATCHING
1.28	LIGHTS PATTERN SELECT	POSITIVE (+VE)	MOMENTARY
2mm	EARTH	NEGATIVE (-VE)	LATCHING

**ADDITIONAL NOTES**

"SIREN STANDBY" TO HAVE A PERMANENT POSITIVE FEED AND THEREFORE ALWAYS BE IN STANDBY WHEN CONNECTED TO 12V (SO THE BULLHORN CAN BE POWERED AT ANY TIME).

Siren dipswitch set to 2 & 6 on (only) to provide the following:  
 "WAIL" - "YELP" - "HI/LO" - "OFF" (Dipswitch 2)  
 "BULLHORN" (Dipswitch 6)



NAME		DATE	SB293TBRWCR_UV2		
DRAWN BY	A.R	28.01.2022			
CABLE TYPE	3 metres (from exit)		LV110 - SPARTAN		
FIXING METHOD	Universal Footpack				
FLASH PATTERN	Double Alternate Flash		SIZE A3	REV.	DWG. No.
LED Swatch				SCALE	SHEET 1 OF 1 SHEETS