



Night Angel Scene Light

Ultra-strong compact LED Lighting

3000+ LUMENS	IP69K	5 YEAR WARRANTY
--------------	-------	-----------------



Redtronic's Night-Angel scene-light range are ultra-strong compact area lighting products designed for any emergency response or safety vehicle. They are available in multiple standard housing colours (including black, white, red and yellow) and match most vehicles bodywork for a OEM look and feel.

The Night-Angel scene-light utilises a revolutionary colour matched cast aluminium body, silicone facia and rear gasket. It provides both flood and spot optics in conjunction with high output latest generation LED's which for it's size provides an unmatched 3000+ lumen output.

The electronics offer dual polarity protection and run relatively cool, any heat is absorbed and managed by the heavy duty aluminium body. It is quick and easy to install thanks to the wires exiting the rear of the lamp.

The Night-Angel scene-light is surface mounted offering ultra-bright and targeted area lighting. The scene-light is intended as a fit-and-forget product offering long life and maintenance-free. It is dust and water resistant, has a sleek modern design, and comes with a 5-year warranty.

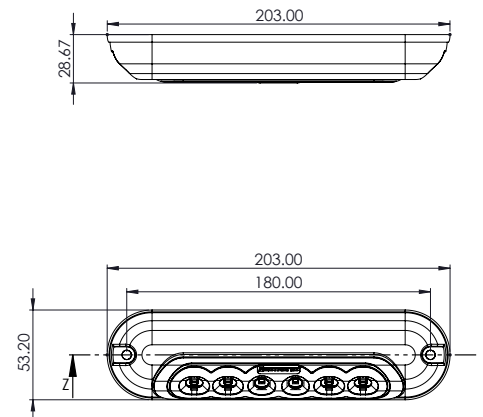
PART NUMBER	BODY COLOUR	VOLTAGE	LEDS	AMPS		WARRANTY
EM656/BK		11-32 VDC	6	600MA AT 24V	1.2A AT 12V	5 YEARS
EM656/WH		11-32 VDC	6	600MA AT 24V	1.2A AT 12V	5 YEARS
EM656/FR		11-32 VDC	6	600MA AT 24V	1.2A AT 12V	5 YEARS
EM656/AY		11-32 VDC	6	600MA AT 24V	1.2A AT 12V	5 YEARS

(Please Note: If our standard colours do not match your fleet's vehicle colour, please ask us about our RAL colour matching service.)

FEATURES AND BENEFITS

- Compact and durable scene light
- Ultra-strong cast aluminium body & silicone facia
- Ultra bright latest generation 6500k 70-CRI white LED
- 3000+ lumen output (white LED)
- EMC / R10 compliant
- IP69K (dust & water protection)
- Supplied with flexible rear gasket
- Voltage 11-32V DC
- Current draw @12VDC: 1.2Amps, @24VDC: 600mA
- Dimensions: L 203mm x H 53.2mm x D 28.7mm
- Warranty: 5 years

DIMENSIONS



LIGHTBARS

BEACONS

MINIBARS

DIRECTIONALS

WORKLAMPS

SIRENS

SPEAKERS

SWITCHES

AUXILIARY



MANUFACTURED IN THE UNITED KINGDOM

+44 (0)1422 310999

INFO@REDTRONIC.CO.UK

WWW.REDTRONIC.CO.UK