



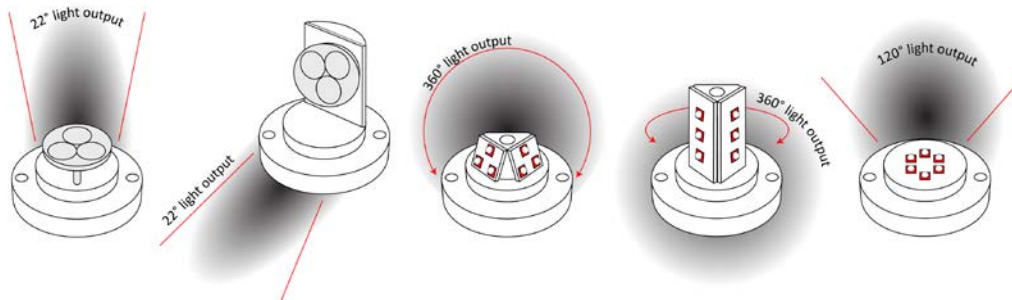
Micro-Lite 'HAW' (Hide-Away) Datasheet



Description

- Latest generation **CREE** LED
- 2 year warranty
- UV stabilised polycarbonate dome
- Ultra-strong engineered body
- IP67 waterproof seal
- 6 Flash patterns
- Low current draw
- Dual voltage (11v – 30v)
- Bezels provided (EM365, EM366 & EM368)

Micro-lite HAW light output



Technical information

	EM360 Horizontal	EM365 Vertical	EM366 Pyra	EM367 Tri	EM368 Vi
Voltage Range	11 - 30v DC	11 - 30v DC	11 - 30v DC	11 - 30v DC	11 - 30v DC
Max Current (12v)	500mA	500mA	500mA	500mA	500mA
Max Current (24v)	300mA	300mA	300mA	300mA	300mA
No. of LEDs (Cree)	3 (with optic)	3 (with optic)	9	9	6
Light output (Lumens)	147-378lm	147-378lm	252-648lm	252-605lm	168-432lm
LED power (Watts)	7w	7w	7w	7w	7w
Weight (gram)	26g	32g	32g	38g	25g
Temp. Range	-40 to 105 °C	-40 to 105 °C	-40 to 105 °C	-40 to 105 °C	-40 to 105 °C
Approval	EMC	EMC	EMC	EMC	EMC
Bezel Included?	Included	Not included	Included	Not included	Included

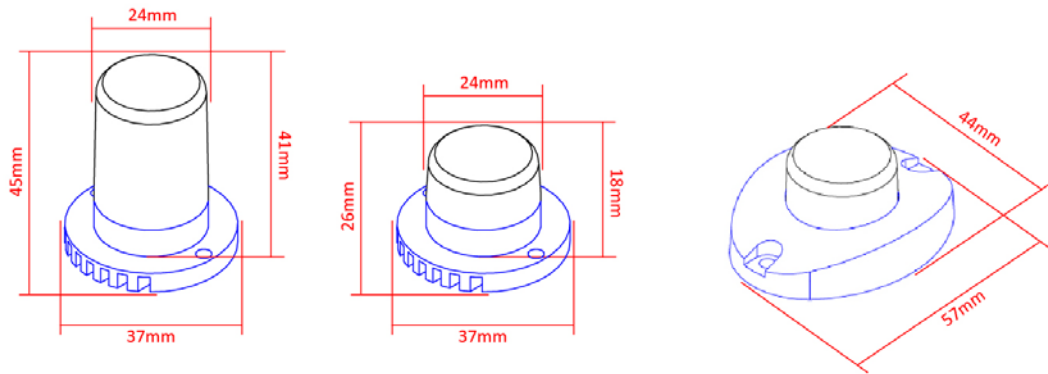
MEGA-FLASH





Micro-Lite 'HAW' (Hide-Away) Datasheet

Dimensions



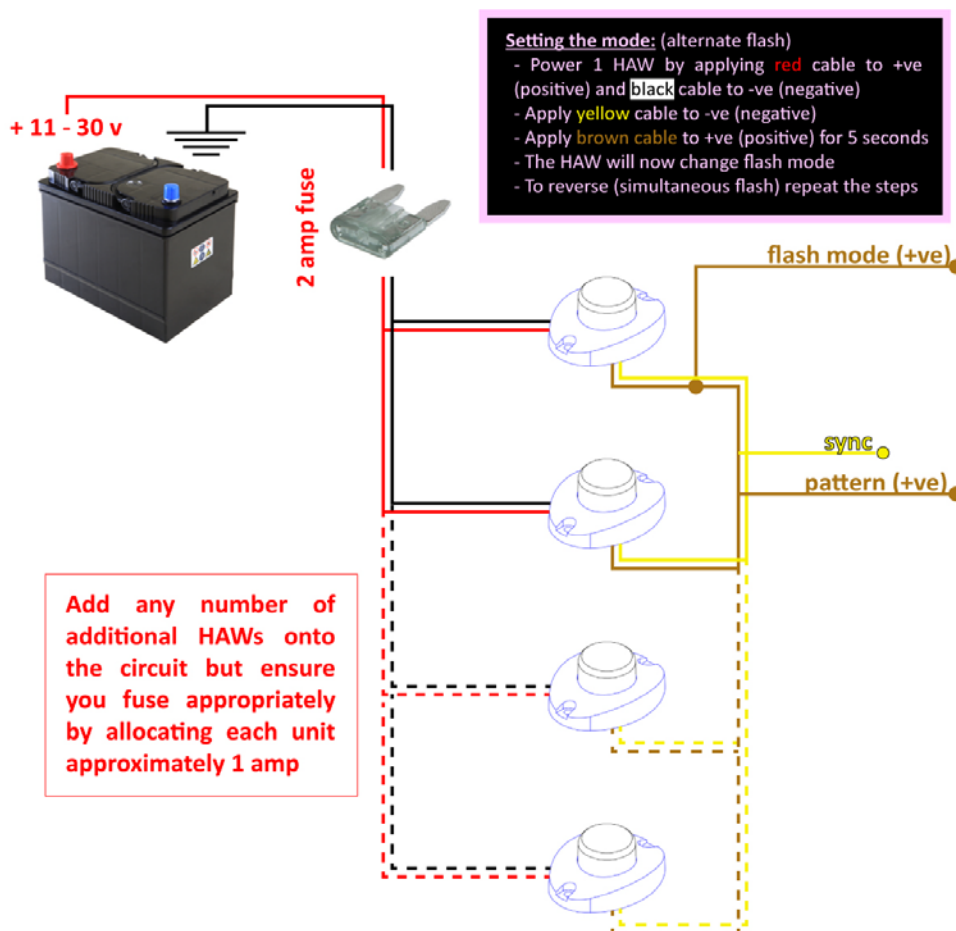
Surface Mount Fixing

1. Find a suitable fixing location ensuring that the surface is flat
2. Drill a cable entry hole measuring a minimum of 7mm diameter
3. Drill 2.5mm fixing hole locations
4. Fix to bodywork using screws provided

Hide-Away / HAW Fixing

1. Find a suitable fixing location within the headlight
2. Drill a 1 inch entry hole
3. Insert the head of the ML HAW through the hole
4. Drill 2.5mm fixing locations
5. Fix to the headlight using screws provided

Installation



MEGA-FLASH

