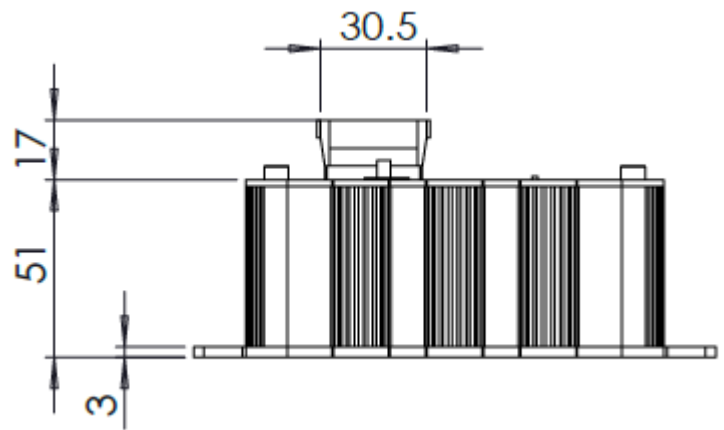
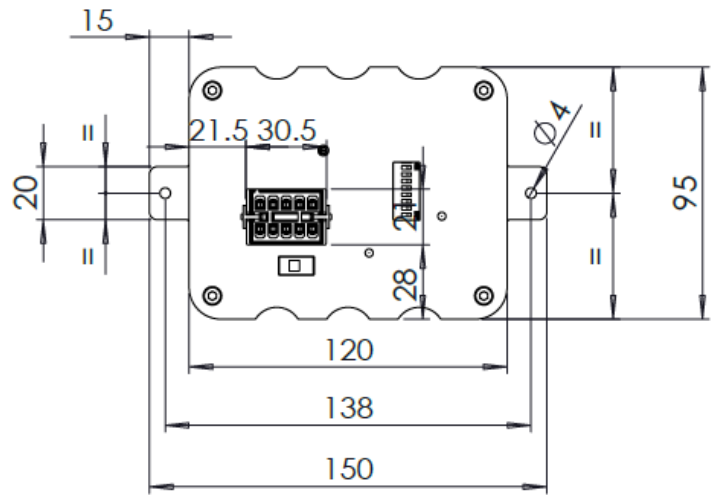


Digital Siren v18



FEATURES

- International and European Tones (programmable)
- PA and non-PA models available
- Audible sense feature included as standard
- 100w or 60w selectable
- Low current 'standby' feature
- Positive and negative triggers
- Available in 12 volt only
- Reduced size due to SMD technology (120x95.5x51.5mm)
- Tone selector accessible externally
- Run cool circuit and aluminium enclosure with improved heat dissipation
- Improved connectors
- EMC/R10 compliant
- 2 year warranty
- Manufactured in the United Kingdom



ORDER CODE	DESCRIPTION	WATT	VOLT
EM500.100.12.IN	EM500 SIREN UK/INT TONE (IN DIP1246) {NO SPEAKER}	100W	12V
EM500.100.12.FR	EM500 SIREN FRANCE TONE (EU DIP12) {NO SPEAKER}	100W	12V
EM500.100.12.AU	EM500 SIREN AUSTRIA TONE (EU DIP2) {NO SPEAKER}	100W	12V
EM500.100.12.CY	EM500 SIREN CYPRUS TONE (EU DIP4){NO SPEAKER}	100W	12V
EM500.100.12.DE	EM500 SIREN GERMAN TONES (EU DIP0) {NO SPEAKER}	100W	12V
EM500.100.12.FI	EM500 SIREN FINLAND TONE (IN DIP5) {NO SPEAKER}	100W	12V
EM500.100.12.IT	EM500 SIREN ITALY TONE (IN DIP34) NO SPEAKER	100W	12V
EM500.100.12.NL	EM500 SIREN NETHERLAND TONE (IN DIP1) NO SPEAKER	100W	12V
EM500.100.12.NO	EM500 SIREN NORWAY TONE (IN DIP25) NO SPEAKER	100W	12V
EM500PA.100.12.IN	EM500 SIREN PA & MIC UK/INT TONE (IN DIP1246) {NO SPEAKER}	100W	12V
EM500PA.100.12.FR	EM500 SIREN PA & MIC FRANCE TONE (EU DIP12) {NO SPEAKER}	100W	12V
EM500PA.100.12.AU	EM500 SIREN PA & MIC AUSTRIA TONE (EU DIP2) {NO SPEAKER}	100W	12V
EM500PA.100.12.CY	EM500 SIREN PA & MIC CYPRUS TONE (EU DIP4) {NO SPEAKER}	100W	12V
EM500PA.100.12.DE	EM500 SIREN PA & MIC GERMAN TONES (EU DIP0) {NO SPEAKER}	100W	12V
EM500PA.100.12.FI	EM500 SIREN PA & MIC FINLAND TONE (IN DIP5) {NO SPEAKER}	100W	12V
EM500PA.100.12.IT	EM500 SIREN PA & MIC ITALY TONE (IN DIP34) {NO SPEAKER}	100W	12V
EM500PA.100.12.NL	EM500 SIREN PA & MIC NETHERLAND TONE (IN DIP1) {NO SPEAKER}	100W	12V
EM500PA.100.12.NO	EM500 SIREN PA & MIC NORWAY TONE (IN DIP25) {NO SPEAKER}	100W	12V

SPEAKERS SHOULD BE ORDERED SEPERATELY.



Description

The Redtronic EM500 Siren range have had many improvements including reduced size aluminium enclosure with improved heat dissipation and state of the art SMD technology, easier selectable options and improved aesthetics. The EM500 comes with PA capability on certain models offering more availability in options required for an all in one solution. The EM500 is available in 9 country tone settings that are selectable externally for ease of use. The EM500 Siren comes with a 2-year warranty.

Technical Information

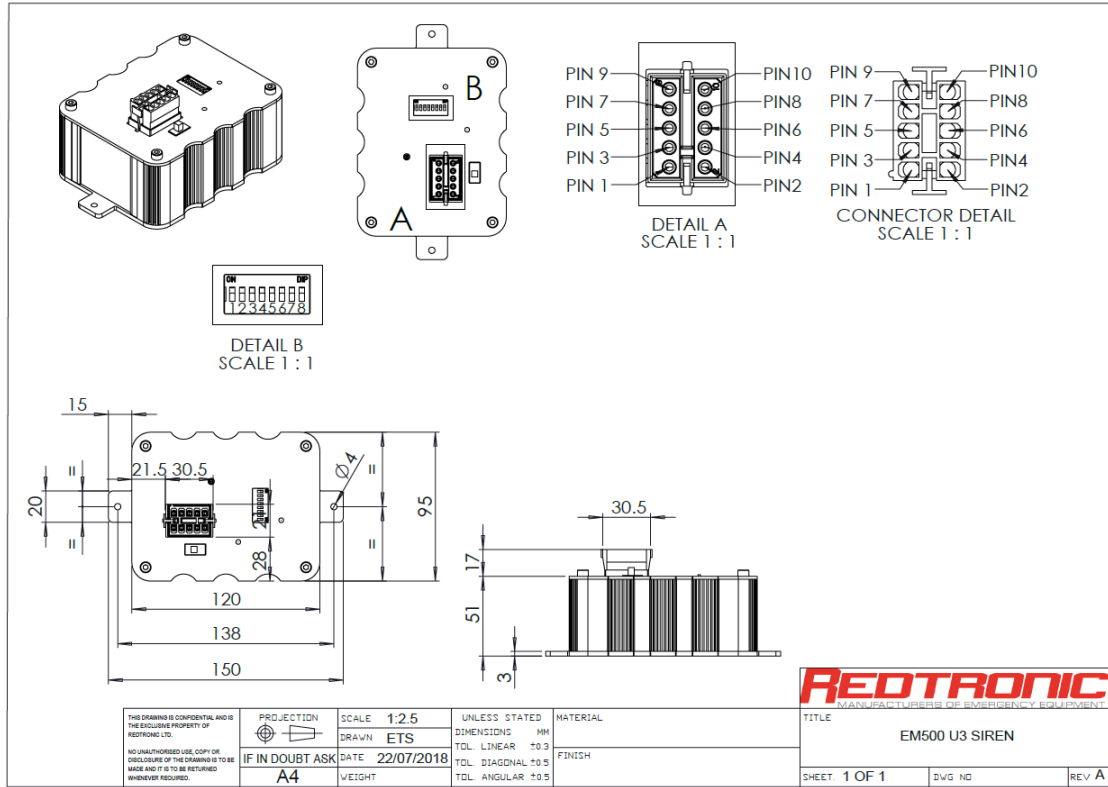
Model	EM500	EM500/PA
Tone / Frequency (Hz)	Standard: 600 - 1500 German: 360-630 Austrian: 392-523 Dutch: 375-500 French: 435-740 Italian: TBC Cypriot: TBC Norway: TBC	Standard: 600-1750 German: 360-630 Austrian: 392-523 Dutch: 375-500 French: 435-740H Italian: TBC Cypriot: TBC Norway: TBC
Voltage	12v (10-16V)	12v (10-16V)
Available in 24v?	NO	NO
Typical RMS (100w)	105	105
PA facility	NO	YES
Current draw (100watt)	9 amps	9 amps
Current draw low power (60watt)	6 amps	6 amps
Current draw in standby	20ma	20ma

Cable Connections

Function / Label	Cable Colour	Description
+ve Standby	Red	+ve Standby
-ve Earth	Black	0v ground / earth
SPK1	Purple	Speaker Cable 1 (No polarity)
SPK2	Purple	Speaker Cable 2 (No polarity)
+ve Trigger 1	Brown	+ve Trigger 1
-ve Trigger 1	Blue	-ve Trigger 1
-ve Trigger 2	Green	-ve Trigger 2
+ve Trigger 3	Yellow	+ve Trigger 3
+ve Trigger 5	Orange	+ve Trigger 5
Aux	White	Aux
+ve Comp	White	+ve Computer



Dimensions



Decibel outputs

Siren	Tone	1 metre	2 metre	3 metre	3.5 metre	7 metre
STANDARD SIREN (UK & INTERNATIONAL)						
S100SL						
S60C						
S100LP	INT Wail		107.7			
	INT Yelp		110.5			
	INT Hi-Lo		101.5			
	INT Phaser		106.6			
EM60P/RC	INT Wail	115.9		112		97.9
EM60P/PC						
S20IS	INT Wail	121.7		114		101.3
GERMAN TONES						
S100SL						
S60C						
S100LP	GER Country	115.9	110.4	103.1	101.5	100.9
	GER City	112.9	106.7	106.2	102.9	99.1
	GER Komp	110.9	107.3	107.2	105.2	98.4
EM60P/RC						
EM60P/PC						
S20IS						
FRENCH TONES						
S100SL						
S60C						
S100LP						
EM60P/RC						
EM60P/PC						
S20IS	FR Police Day		113.6			
	FR Police Night		93.7			
	FR Fire Day		112.8			
	FR Fire Night		95.5			
	FR Amb Day		113.2			
	FR Amb Night		89.8			



Code	Tone(s)	If fitted				Cable	Notes	1	2	3	4	5	6	7	8
		Cable	Cable	Cable	Cable										
EM500 STANDARD SIREN (UK & INTERNATIONAL)															
IN1	W-Y-OFF-W	+ve	-ve	WH	PH	C/O		OFF	OFF	OFF	OFF	OFF	OFF	OFF	OFF
IN2	W-Y-W	+ve	-ve	WH	PH	C/O		ON	OFF	OFF	OFF	OFF	OFF	OFF	OFF
IN3	W-Y-H/L-OFF-W	+ve	-ve	WH	PH	C/O		OFF	ON	OFF	OFF	OFF	OFF	OFF	OFF
STANDARD SETTING															
IN4	W-Y-H/L-W	+ve	-ve	WH	PH	C/O		ON	ON	OFF	ON	OFF	ON	OFF	OFF
STANDARD SETTING															
IN5	W-Y-PH-OFF-W	+ve	-ve	WH	PH	C/O		OFF	OFF	ON	OFF	OFF	OFF	OFF	OFF
IN6	W-Y-PH-W	+ve	-ve	WH	PH	C/O		ON	OFF	ON	OFF	OFF	OFF	OFF	OFF
IN7	H/L-Y-W-OFF-H/L	+ve	-ve	WH	PH	C/O		OFF	ON	ON	OFF	OFF	OFF	OFF	OFF
IN8	H/L-Y-W-H/L	+ve	-ve	WH	PH	C/O		ON	ON	ON	OFF	OFF	OFF	OFF	OFF
	Double tap off						Enable / disable				ON				
	Bullhorn	+ve	-ve				Enable / disable						ON		
	Bullhorn (only)	+ve	-ve					ON	OFF	OFF	OFF	ON	OFF	OFF	OFF
	PA (only)							OFF	OFF	OFF	OFF	OFF	OFF	OFF	ON
EM500 STANDARD SIREN (FINNISH TONES)															
FI1	H/L-Y (6 sec burst)	+ve	-ve					OFF	OFF	OFF	OFF	ON	OFF	OFF	OFF
EM500GER – GERMAN TONES															
DE1	Country (+ve)	+ve					+ve	OFF	OFF	OFF	OFF	OFF	OFF	OFF	OFF
	Country (-ve)		-ve				-ve	OFF	OFF	OFF	OFF	OFF	OFF	OFF	OFF
	City			+ve			-ve	OFF	OFF	OFF	OFF	OFF	OFF	OFF	OFF
	Kompressor				-ve	+ve	-ve	OFF	OFF	OFF	OFF	OFF	OFF	OFF	OFF
EM500AUS - AUSTRIAN TONES (FIRE)															
AU1	Fire Plain (+ve)	+ve					+ve	OFF	ON	OFF	OFF	OFF	OFF	OFF	OFF
	Fire Plain (-ve)		-ve				-ve	OFF	ON	OFF	OFF	OFF	OFF	OFF	OFF
	Fire Vibrato			+ve			-ve	OFF	ON	OFF	OFF	OFF	OFF	OFF	OFF
	Fire Vibrato				-ve		w/ brown/blue	OFF	ON	OFF	OFF	OFF	OFF	OFF	OFF
EM500AUS - AUSTRIAN TONES (RETTUNG)															
AU2	Rettung Plain (+ve)	+ve					+ve	OFF	ON	ON	OFF	OFF	OFF	OFF	OFF
	Rettung Plain (-ve)		-ve				-ve	OFF	ON	ON	OFF	OFF	OFF	OFF	OFF
	Rettung Vibrato			+ve			-ve	OFF	ON	ON	OFF	OFF	OFF	OFF	OFF
	Rettung Vibrato				-ve		w/ brown/blue	OFF	ON	ON	OFF	OFF	OFF	OFF	OFF
EM500AUS - AUSTRIAN TONES (SPECIAL)															
AU3	Special Plain (+ve)	+ve					+ve	OFF	ON	ON	ON	OFF	OFF	OFF	OFF
	Special Plain (-ve)		-ve				-ve	OFF	ON	ON	ON	OFF	OFF	OFF	OFF
	Special Vibrato			+ve			-ve	OFF	ON	ON	ON	OFF	OFF	OFF	OFF
	Special Vibrato				-ve		w/ brown/blue	OFF	ON	ON	ON	OFF	OFF	OFF	OFF
EM500AUS - AUSTRIAN TONES (POLICE)															
AU4	Police Plain (+ve)	+ve					+ve	OFF	ON	OFF	ON	OFF	OFF	OFF	OFF
	Police Plain (-ve)		-ve				-ve	OFF	ON	OFF	ON	OFF	OFF	OFF	OFF
	Police Vibrato			+ve			-ve	OFF	ON	OFF	ON	OFF	OFF	OFF	OFF
	Police Vibrato				-ve		w/ brown/blue	OFF	ON	OFF	ON	OFF	OFF	OFF	OFF
EM500DUT - DUTCH TONES															
DU1	Standard (+ve)	+ve					+ve	ON	OFF	OFF	OFF	OFF	OFF	OFF	OFF
	Standard (-ve)		-ve				-ve	ON	OFF	OFF	OFF	OFF	OFF	OFF	OFF
	Vibrato			+ve			-ve	ON	OFF	OFF	OFF	OFF	OFF	OFF	OFF
	Vibrato				-ve		w/ brown/blue	ON	OFF	OFF	OFF	OFF	OFF	OFF	OFF
DU2	Add. Vibrato (+ve)	+ve				+ve	+ve	ON	OFF	ON	OFF	OFF	OFF	OFF	OFF
	Add. Vibrato (-ve)		-ve		-ve		-ve	ON	OFF	ON	OFF	OFF	OFF	OFF	OFF
	Add. vibrato			+ve			-ve	ON	OFF	ON	OFF	OFF	OFF	OFF	OFF
EM500FRE - FRENCH TONES															
FR1	Police (+ve)	+ve					+ve	ON	ON	OFF	OFF	OFF	OFF	OFF	OFF
	Police (-ve)		-ve				-ve	ON	ON	OFF	OFF	OFF	OFF	OFF	OFF
FR2	Fire (+ve)	+ve			Samu		+ve	ON	ON	ON	OFF	OFF	OFF	OFF	OFF
	Fire (-ve)		-ve		Samu		-ve	ON	ON	ON	OFF	OFF	OFF	OFF	OFF
FR3	Samu (+ve)	+ve			Amb		+ve	ON	ON	OFF	ON	OFF	OFF	OFF	OFF
	Samu (-ve)		-ve		Amb		-ve	ON	ON	OFF	ON	OFF	OFF	OFF	OFF
FR4	Gendamerie (+ve)	+ve					+ve	ON	ON	ON	ON	OFF	OFF	OFF	OFF
	Gendamerie (-ve)		-ve				-ve	ON	ON	ON	ON	OFF	OFF	OFF	OFF
FR5	Ambulance (+ve)	+ve					+ve	ON	OFF	ON	ON	OFF	OFF	OFF	OFF
	Ambulance (-ve)		-ve				-ve	ON	OFF	ON	ON	OFF	OFF	OFF	OFF



EM500ITA - ITALIAN TONES														
IT1	Police (+ve)	+ve	Blue	Yellow	Green	White	+ve	OFF	OFF	ON	ON	OFF	OFF	OFF
	Police (-ve)		-ve				-ve	OFF	OFF	ON	ON	OFF	OFF	OFF
	Ambulance (-ve)		Blue	Yellow	-ve		-ve	OFF	OFF	ON	ON	OFF	OFF	OFF
EM500ITA - CYPRIOT TONES														
CY1	Police (+ve)	+ve	Blue	Yellow	Green	White	+ve	OFF	OFF	OFF	ON	OFF	OFF	OFF
EM500NOR - NORWAY TONES														
NO	Wail (+ve)	+ve	Blue	Yellow	Green	Orange	+ve	OFF	ON	OFF	OFF	ON	OFF	OFF
	Wail (-ve)		-ve			Orange	-ve	OFF	ON	OFF	OFF	ON	OFF	OFF
	Whoop			+ve			-ve	OFF	ON	OFF	OFF	ON	OFF	OFF
	Yelp (-ve) 10 sec (mom)		Blue		-ve		-ve	OFF	ON	OFF	OFF	ON	OFF	OFF
	Yelp (+ve) 10 sec (mom)		Blue	Yellow	Green	+ve	+ve	OFF	ON	OFF	OFF	ON	OFF	OFF

Fault Finding & Diagnostic LED

If there seems to be a fault with the EM500, your auto electrician should monitor the number of flashes the diagnostic LED provides. The following table should help determine the issue:

LED State / Number of Flashes	Fault
Permanently illuminated	Normal operation
1 Flash	Speaker not connected / weak
2 Flashes	Overload detected after normal operation
3 Flashes	Overload detected as soon as siren started
4 Flashes	Undervoltage detected
5 Flashes	Speaker not connected / weak & undervoltage is detected
6 Flashes	Overload detected after normal operation & undervoltage is detected
7 Flashes	Speaker not connected / weak & overload detected after normal operation & undervoltage detected
8 Flashes	Over temperature trip
16 Flashes	Current detection circuit fault
No illumination	Check power and cable connections

Warranty

- Siren (independent unit): 2 years
- Siren (fitted inside lightbar): 2 years

Please Note: The siren is not a sealed unit and therefore should not be sealed in locations that might be prone to water or excessive humidity.