



LIGHTBARS

BEACONS

MINIBARS

DIRECTIONALS

WORKLAMPS

SIRENS

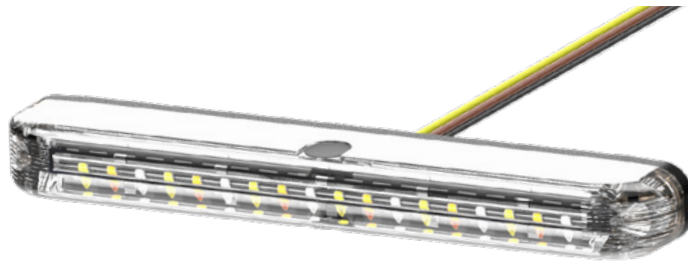
SPEAKERS

SWITCHES

AUXILIARY



MANUFACTURED IN THE UNITED KINGDOM



Infinity US6 Directional LED

Redtronic's Infinity US6 is an extremely slim versatile warning device. It is available in single, dual and tri-colour options to meet the needs of all applications from amber safety and commercial vehicles to emergency services and covert vehicles. The infinity US6 features a strong polycarbonate lens on an aluminium body to maximise protection from debris impact and to absorb heat dispersion. This product also boasts major industry requirements such as IP69K for the toughest environments, EMC R10, ECE R65 approvals and comes as standard with 7 flash patterns including ICAO/CAP168 airport pattern. The Infinity US6 has synchronisation capability with other Redtronic products, and includes an industry first TD-Sync feature allowing users to synchronise and direct traffic with this inbuilt capability. The Infinity US6 is manufactured in the UK and is endorsed 3-year warranty.

Part Number	Colour	Voltage	Colour Type	Warranty
DIFX-006-AC		11-32VDC	Single Colour	3 years
DIFX-006-BC		11-32VDC	Single Colour	3 years
DIFX-006-GC		11-32VDC	Single Colour	3 years
DIFX-006-RC		11-32VDC	Single Colour	3 years
DIFX-006-WC		11-32VDC	Single Colour	3 years
DIFX-006-ARC		11-32VDC	Dual Colour	3 years
DIFX-006-AWBC		11-32VDC	Tri Colour	3 years
DIFX-006-RWBC		11-32VDC	Tri Colour	3 years

Features and Benefits

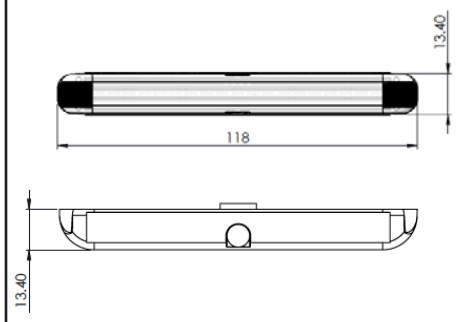
- Single, dual and tri-colour colour options
- Tri-colour includes white perimeter light function
- Ultra-bright latest generation LEDs
- Unique designed wide angle intense optic
- Ultra-strong UV stabilised polycarbonate lens
- R65 Class II approved (blue and amber)
- EMC R10 compliant
- IP69K protection against dust and water ingress
- Cruise and GATSO light features available
- Integrated TD-Sync feature
- Multiple unit synchronisation
- CAP168/ICAO airport flash
- Night and day (dim mode)
- Includes air vent
- Amps/current peak max: 600mA
- Operating temperature -40°C to +105°C
- LED Power: 18 watts (single colour) 54 watts (tri-colour)
- Voltage: 11-32VDC
- Weight: 38g
- Warranty: 3 years



7 Flash Patterns

1. Quad
2. Triple
3. Double
4. Single
5. Quad/single
6. Quad/triple/double/single
7. CAP168

Dimensions



+44 (0)1422 310999

INFO@REDTRONIC.CO.UK

WWW.REDTRONIC.CO.UK