

INSTALLATION AND OPERATION INSTRUCTIONS



Night Angel Scene Light EM656 Installation Guide

Product Introduction

Redtronic's Night-Angel scene-light range are ultra-strong compact area lighting products designed for any emergency response or safety vehicle. They are available in multiple standard housing colours (including black, white, red and yellow) and match most vehicles bodywork for a OEM look and feel.

The Night-Angel scene-light utilises a revolutionary colour matched cast aluminium body, silicone facia and rear gasket. It provides both flood and spot optics in conjunction with high output latest generation LED's which for it's size provides an unmatched 3000+ lumen output.

The electronics offer dual polarity protection and run relatively cool, any heat is absorbed and managed by the heavy duty aluminium body. It is quick and easy to install thanks to the wires exiting the rear of the lamp.

The Night-Angel scene-light is surface mounted offering ultra-bright and targeted area lighting. The scene-light is intended as a fit-and-forget product offering long life and maintenance-free. It is dust and water resistant, has a sleek modern design, and comes with a 5-year warranty.

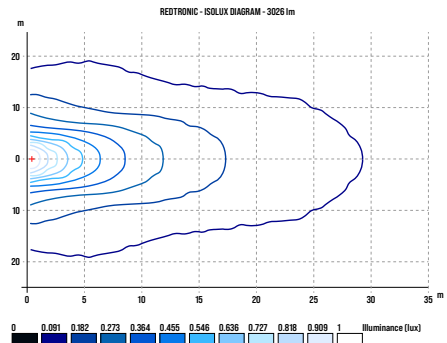
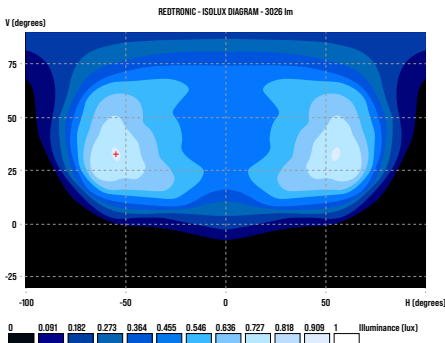
Part Numbers

PART NUMBER	BODY COLOUR	VOLTAGE	LEDS	AMPS		WARRANTY
				600MA AT 24V	1.2A AT 12V	
EM656/BK		11-32 VDC	6	600MA AT 24V	1.2A AT 12V	5 YEARS
EM656/WH		11-32 VDC	6	600MA AT 24V	1.2A AT 12V	5 YEARS
EM656/FR		11-32 VDC	6	600MA AT 24V	1.2A AT 12V	5 YEARS
EM656/AY		11-32 VDC	6	600MA AT 24V	1.2A AT 12V	5 YEARS

(Please Note: If our standard colours do not match your fleet's vehicle colour, please ask us about our RAL colour matching service.)

Night Angel Scene Light Output

(Please Note: For full photometric report please contact your designated sales representative)





Technical Information

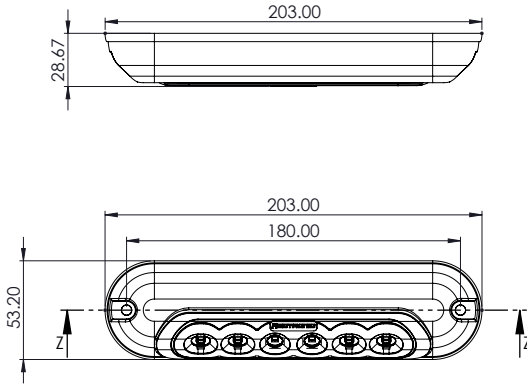
Dimensions	Dimensions: 203x 53.2 x 28.7mm
Voltage	Voltage: 11-32V DC
Light Output (Max output)	3026lm
Average Current (12V)	1.2A
Average Current (24V)	600mA
Weight	280g
Temperature Range	15min: 38°C 30min: 42°C 45min: 44°C 60min: 45.2°C
Warranty	5 years
Approval	UNECER10
Options	RAL colour match

The temperature range tested at room temperature at 13.8V. After 60mins of testing, the temperature stays constant.

Warranty and Liability

Redtronic warrants that on the date of purchase, this product will conform to Redtronic specifications for this product (which are available from Redtronic upon request). This product benefits from a 5-year warranty from the date of purchase.

Dimensions



Installation

