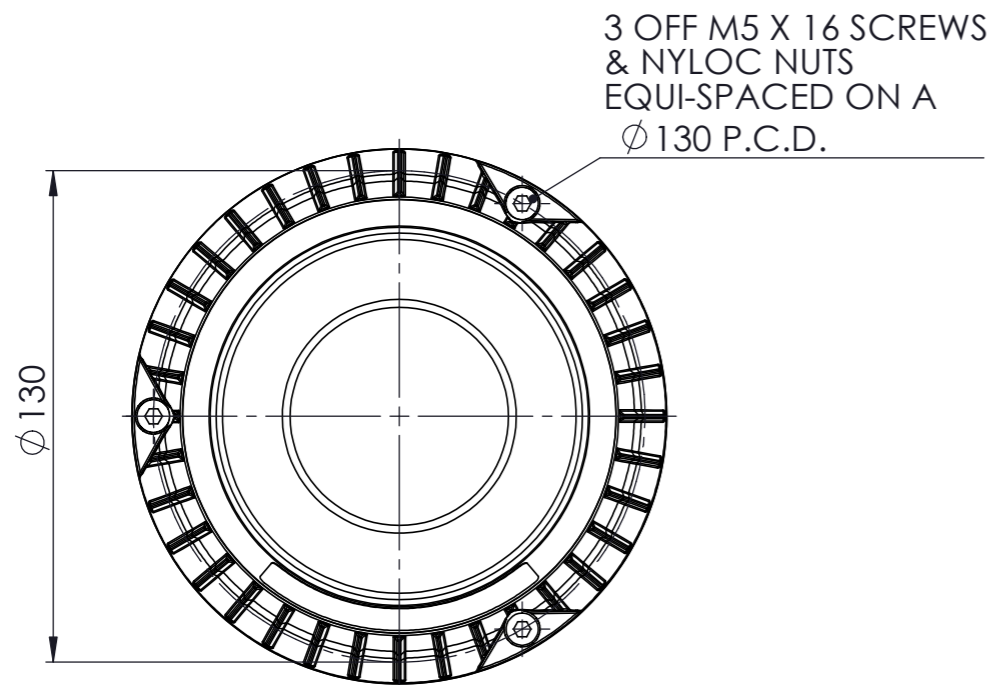
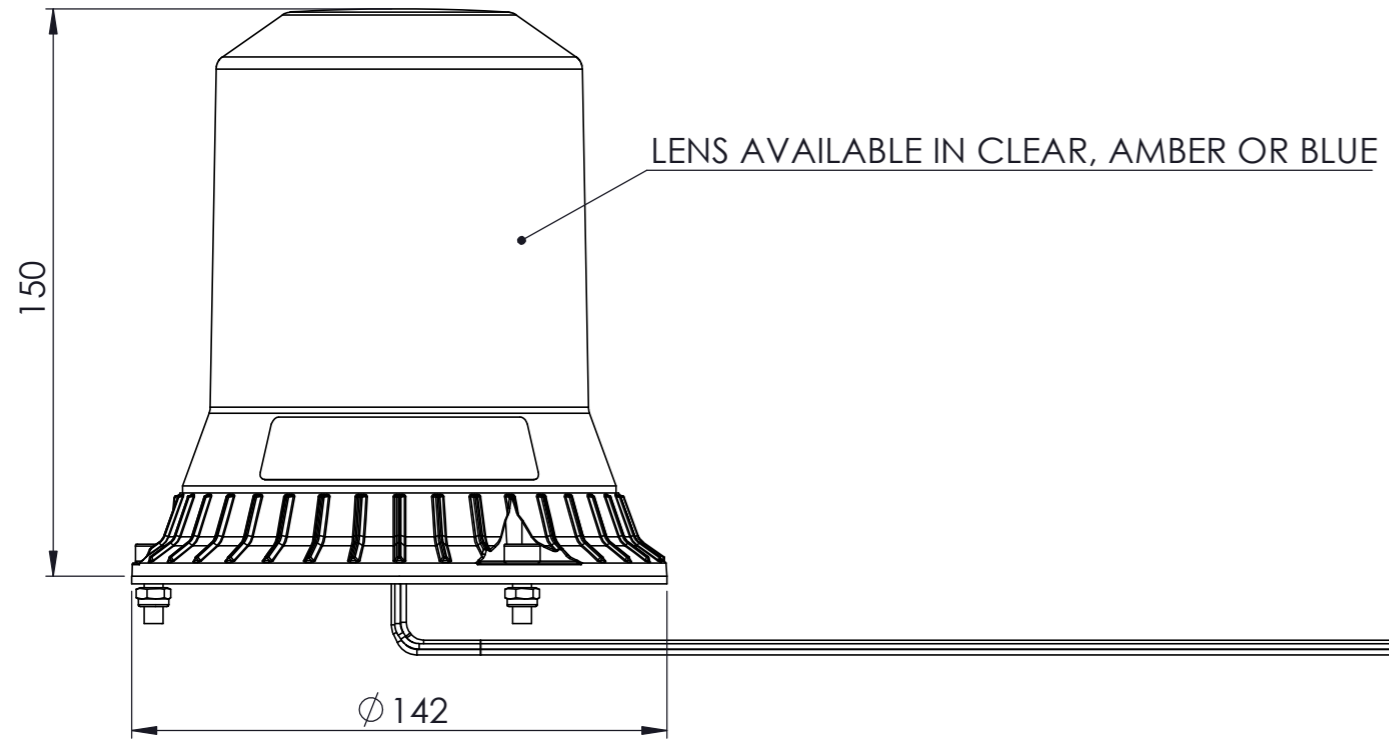
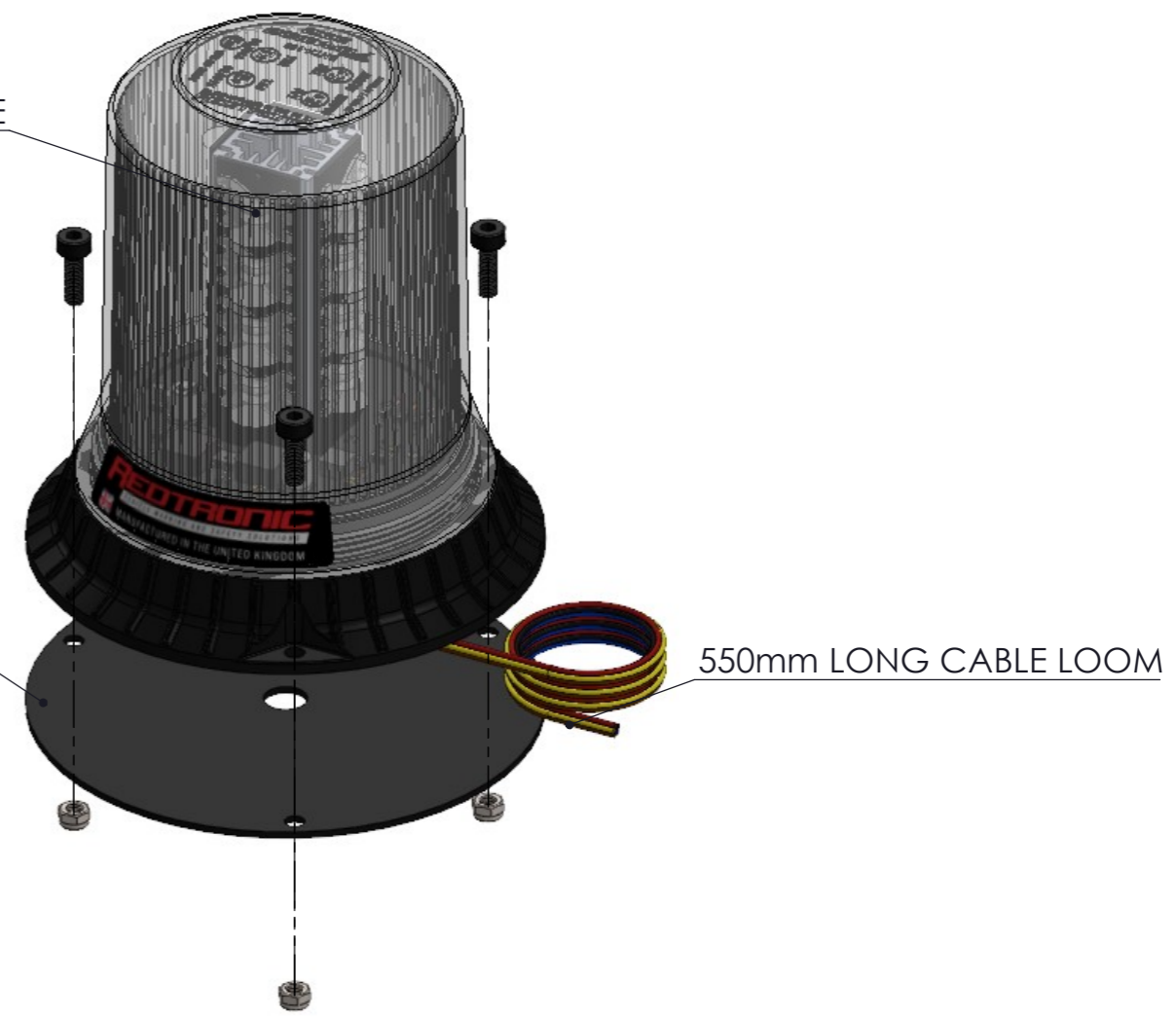


8 7 6 5 4 3 2 1

F
E
D
C
B
A



16 OFF HIGH POWER LED'S
AVAILABLE IN AMBER OR BLUE



THIS DRAWING IS CONFIDENTIAL
AND IS THE EXCLUSIVE
PROPERTY OF REDTRONIC LTD.

NO UNAUTHORISED USE, COPY
OR DISCLOSURE OF THE
DRAWING IS TO BE MADE AND IT
IS TO BE RETURNED WHENEVER
REQUIRED.

PROJECTION

IF IN DOUBT ASK
A3

SCALE	1:2
DrawnBy	WJO
DATE	25/06/2021
WEIGHT	433.58 g

UNLESS STATED	
DIMENSIONS	MM
TOL. LINEAR	\pm 0.3
TOL. DIAGONAL	\pm 0.5
TOL. ANGULAR	\pm 0.5

MATERIAL	SEE BILL OF MATERIALS
FINISH	GLOSS

Description		
BEACON, TORNADO, B150,--, 3BOLT		
SHEET. 1 OF 2	DWG NO BTN3-150---	REV A

8 7 6 5 4 3 2 1