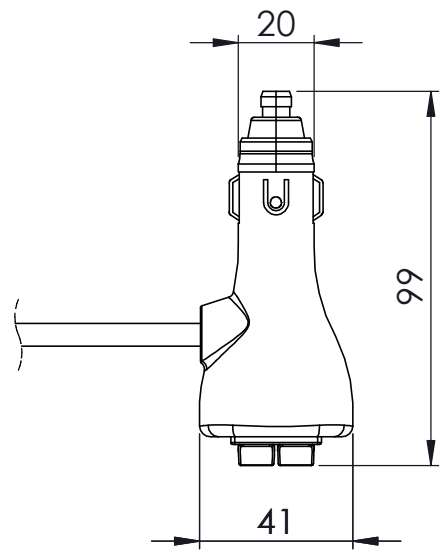
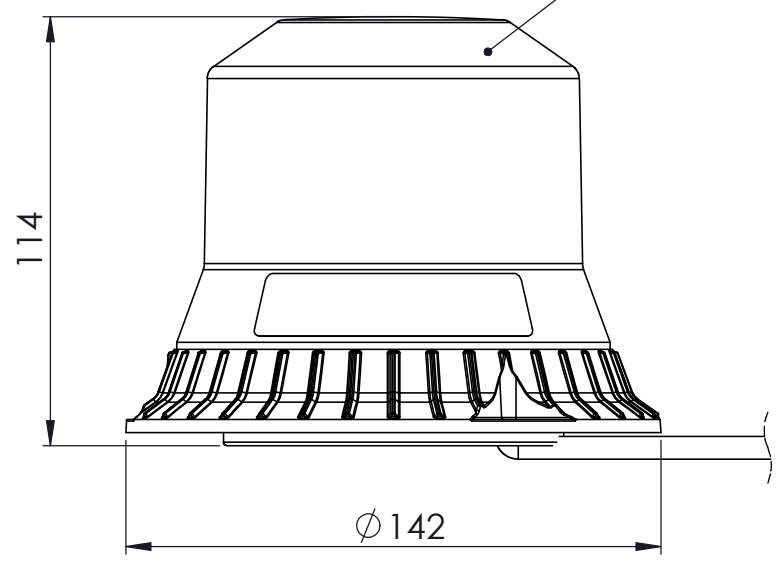
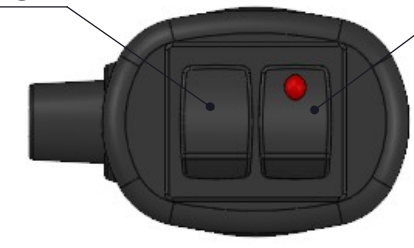


LENS AVAILABLE IN CLEAR, AMBER OR BLUE



MOMENTARY FUNCTION

LATCHING FUNCTION



THIS DRAWING IS CONFIDENTIAL AND IS THE EXCLUSIVE PROPERTY OF REDTRONIC LTD.
NO UNAUTHORISED USE, COPY OR DISCLOSURE OF THE DRAWING IS TO BE MADE AND IT IS TO BE RETURNED WHENEVER REQUIRED.

PROJECTION
IF IN DOUBT ASK
A3

SCALE 1:2
DrawnBy WJO
DATE 25/06/2021
WEIGHT 512.57 g

UNLESS STATED DIMENSIONS MM
TOL. LINEAR ± 0.3
TOL. DIAGONAL ± 0.5
TOL. ANGULAR ± 0.5

MATERIAL SEE BILL OF MATERIALS
FINISH GLOSS



Description
BEACON, TORNADO, B110,--, MAG
SHEET. 1 OF 2 | DWG NO BNTM-110 | REV A