

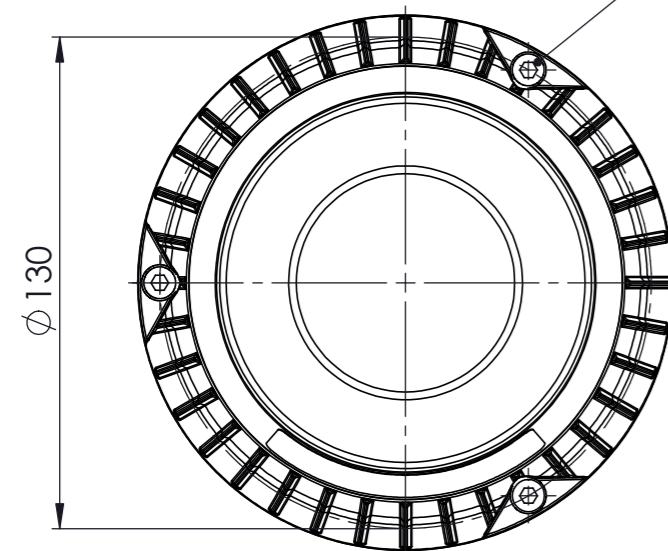
8 7 6 5 4 3 2 1

F
E
D
C
B
A

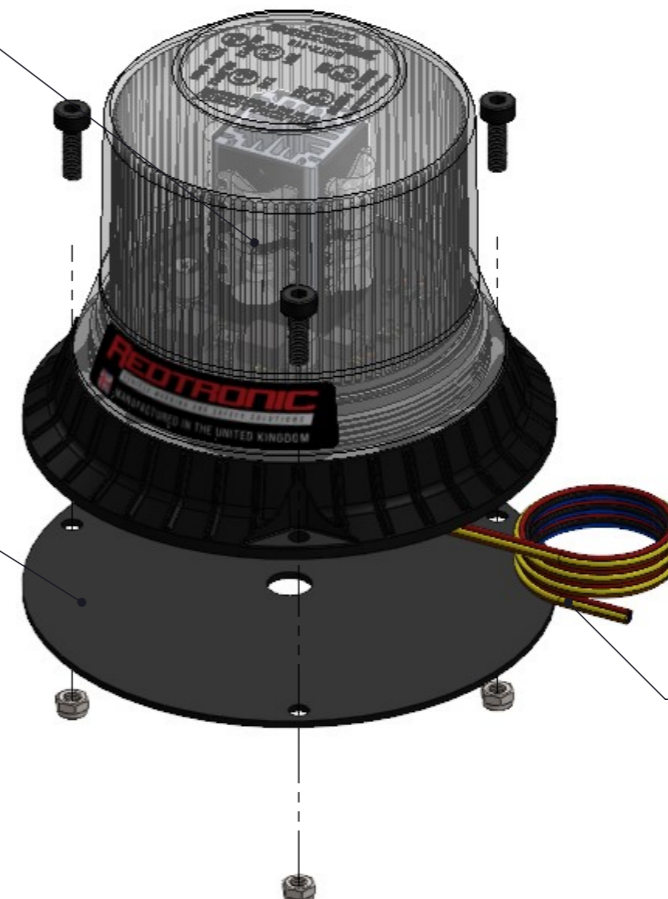
F
E
D
C
B
A

8 OFF HIGH POWER LED'S
AVAILABLE IN AMBER OR BLUE

3 OFF M5 X 16 SCREWS
& M5 NYLOC NUTS
EQUI-SPACED ON A
Ø 130 P.C.D.

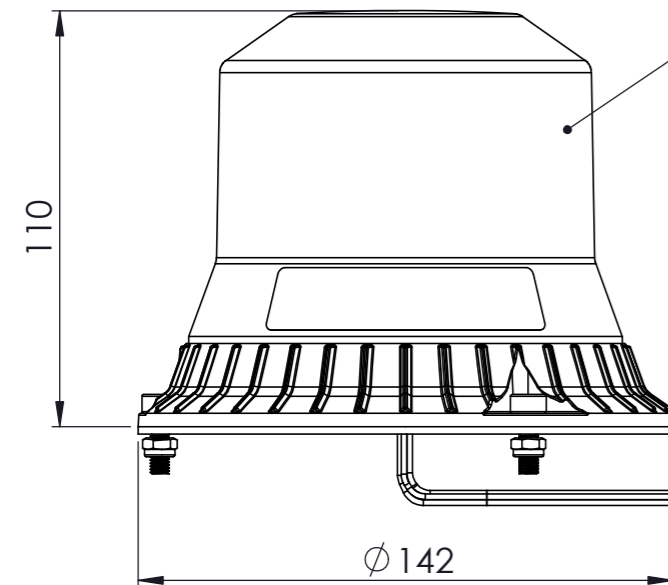


PROTECTIVE FOAM PAD



550mm LONG CABLE LOOM

LENS AVAILABLE IN CLEAR, AMBER OR BLUE



THIS DRAWING IS CONFIDENTIAL
AND IS THE EXCLUSIVE
PROPERTY OF REDTRONIC LTD.

NO UNAUTHORISED USE, COPY
OR DISCLOSURE OF THE
DRAWING IS TO BE MADE AND IT
IS TO BE RETURNED WHENEVER
REQUIRED.

PROJECTION
IF IN DOUBT ASK
A3

SCALE 1:2
DrawnBy WJO
DATE 25/06/2021
WEIGHT 334.58 g

UNLESS STATED
DIMENSIONS MM
TOL. LINEAR ± 0.3
TOL. DIAGONAL ± 0.5
TOL. ANGULAR ± 0.5

MATERIAL SEE BILL OF MATERIALS
FINISH GLOSS



Description
BEACON, TORNADO, B110,--, 3BOLT
SHEET. 1 OF 2 DWG NO BTN3-110--- REV A

8 7 6 5 4 3 2 1