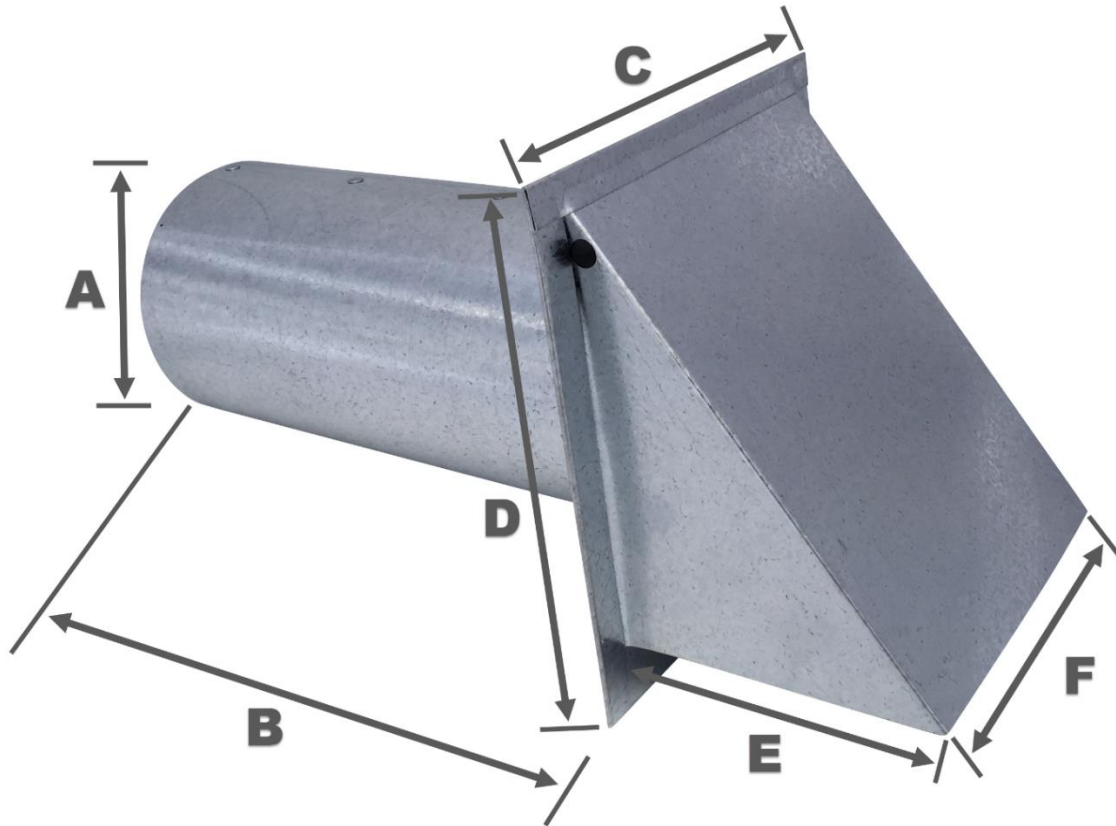


Heavy Duty Round Wall Vent Specifications



Duct Diameter	Duct Length	Flange Width	Flange Height	Hood Depth	Hood Width
A	B	C	D	E	F
4"	8.5"	6"	6.6"	3.9"	5"
5"	8.5"	7"	7"	3.6"	6"
6"	8.5"	8"	8.2"	4.1"	7"
7"	8.5"	9"	9.2"	5.2"	8"

3 Materials Available: Aluminum, Galvanized, and White Powder Coated Steel.

3 Utility Options Available: Damper & Screen, Damper Only and Screen Only.

Vent Works
 322 Wells Street
 Greenfield, MA, 01301
 Call: 1-800-506-7090
 Email: info@vent-works.com
www.vent-works.com