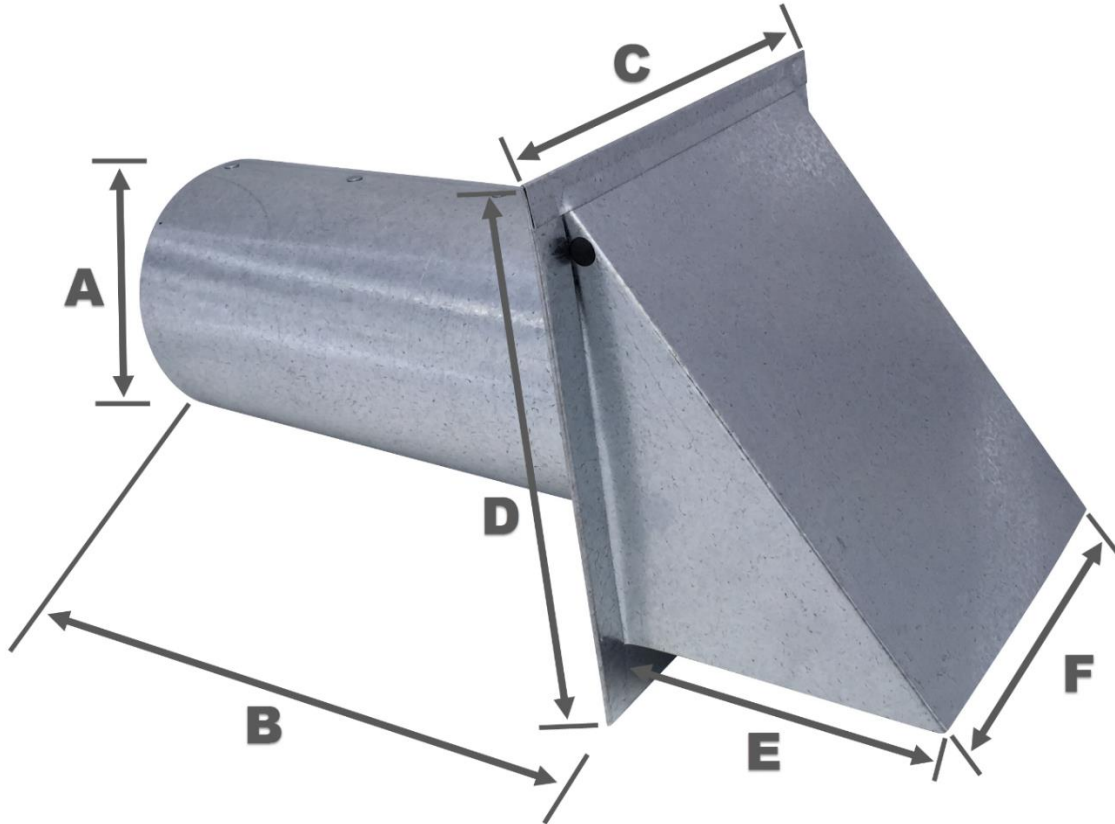


## Heavy Duty Round Wall Vent Specifications



Duct Diameter	Duct Length	Flange Width	Flange Height	Hood Depth	Hood Width
A	B	C	D	E	F
4"	8.5"	6"	6.6"	3.9"	3.9"
5"	8.5"	7"	7"	3.6"	3.6"
6"	8.5"	8"	8.2"	4.1"	4.1"
7"	8.5"	9"	9.2"	5.2"	5.2"

3 Materials Available: Aluminum, Galvanized, and White Powder Coated Steel.

3 Utility Options Available: Damper & Screen, Damper Only and Screen Only.

Vent Works  
 322 Wells Street  
 Greenfield, MA, 01301  
 Call: 1-800-506-7090  
 Email: [info@vent-works.com](mailto:info@vent-works.com)  
[www.vent-works.com](http://www.vent-works.com)