

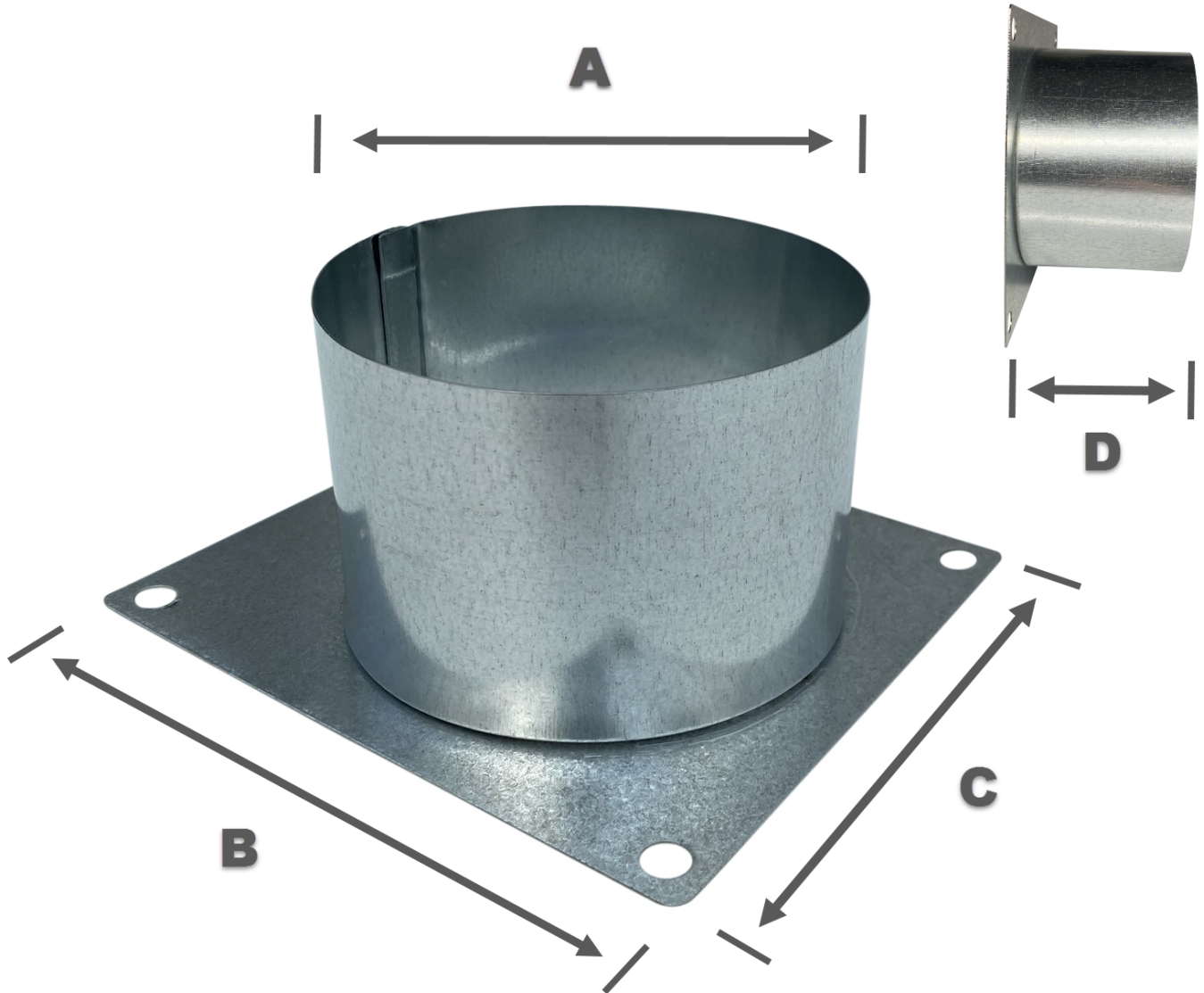
Flange Adapter for Dayton Blower 1TDR3

Fits The Following Blower Models

Dayton: 1TDR3, 4C447, 6FHX9, 70633277

Fasco: B45227, 7063-3277

AO Smith: 459A, 7073-0107



A	B	C	D
4"	5½"	5"	2¾"