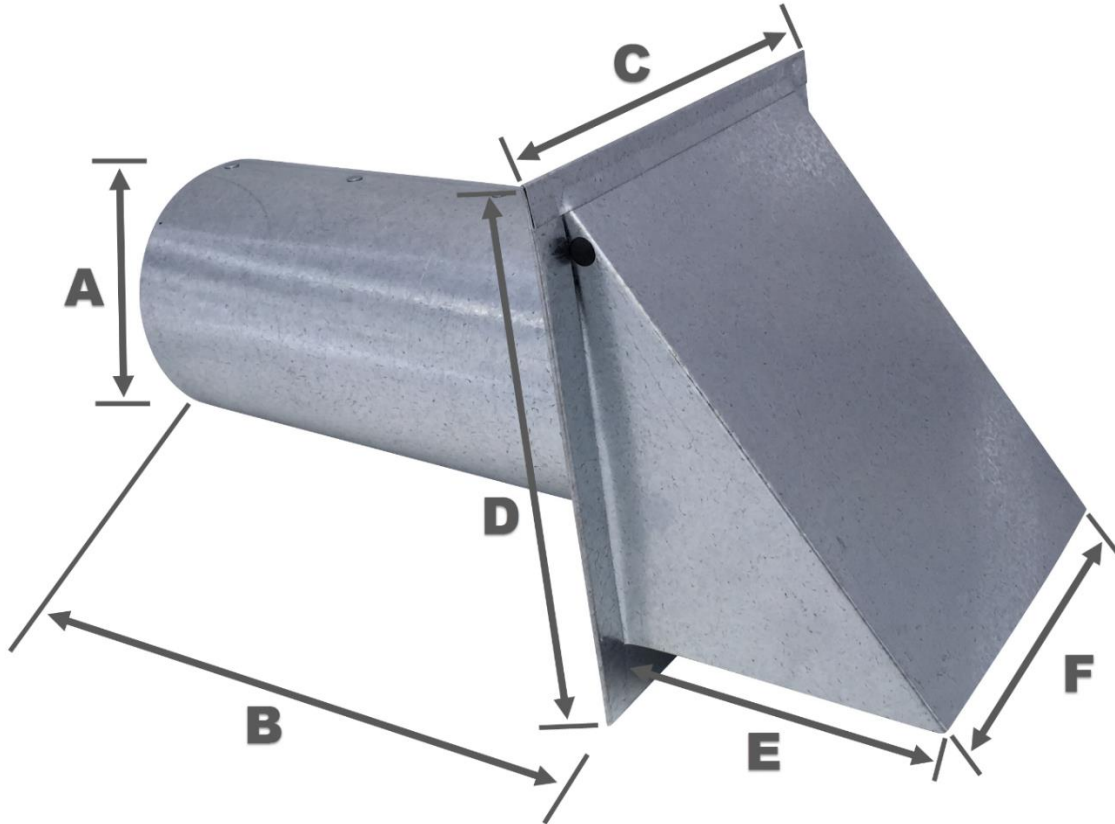


## Dryer Wall Vent Specifications



Duct Diameter	Duct Length	Flange Width	Flange Height	Hood Depth	Hood Width
A	B	C	D	E	F
4"	8.5"	6"	6.6"	3.9"	5"

3 Materials Available: Aluminum, Galvanized, and White Powder Coated Steel.

Vent Works  
 322 Wells Street  
 Greenfield, MA, 01301  
 Call: 1-800-506-7090  
 Email: [info@vent-works.com](mailto:info@vent-works.com)  
[www.vent-works.com](http://www.vent-works.com)