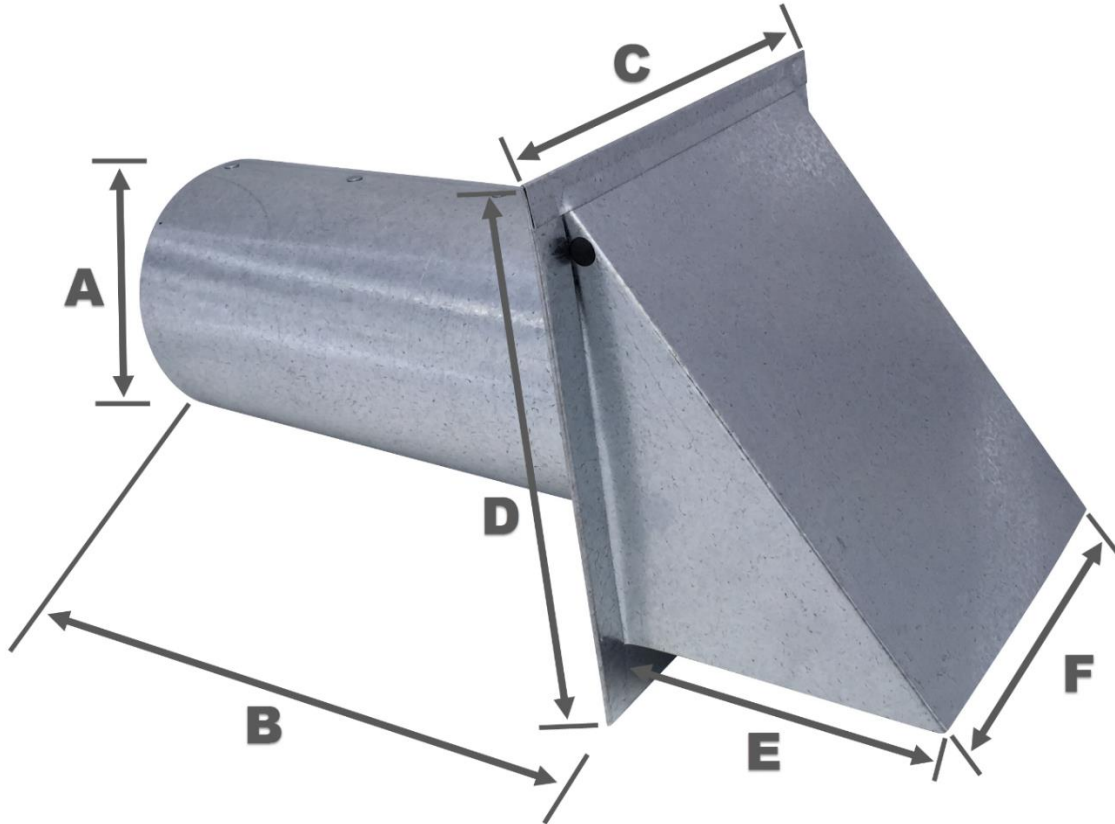


Dryer Wall Vent Specifications



| Duct Diameter | Duct Length | Flange Width | Flange Height | Hood Depth | Hood Width |
|---------------|-------------|--------------|---------------|------------|------------|
| A | B | C | D | E | F |
| 4" | 8.5" | 6" | 6.6" | 3.9" | 3.9" |

3 Materials Available: Aluminum, Galvanized, and White Powder Coated Steel.

Vent Works
 322 Wells Street
 Greenfield, MA, 01301
 Call: 1-800-506-7090
 Email: info@vent-works.com
www.vent-works.com