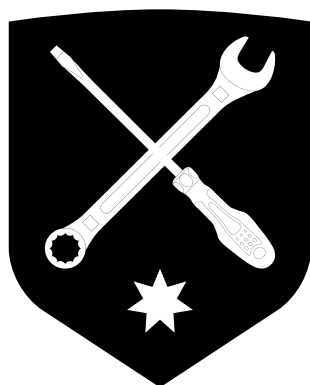


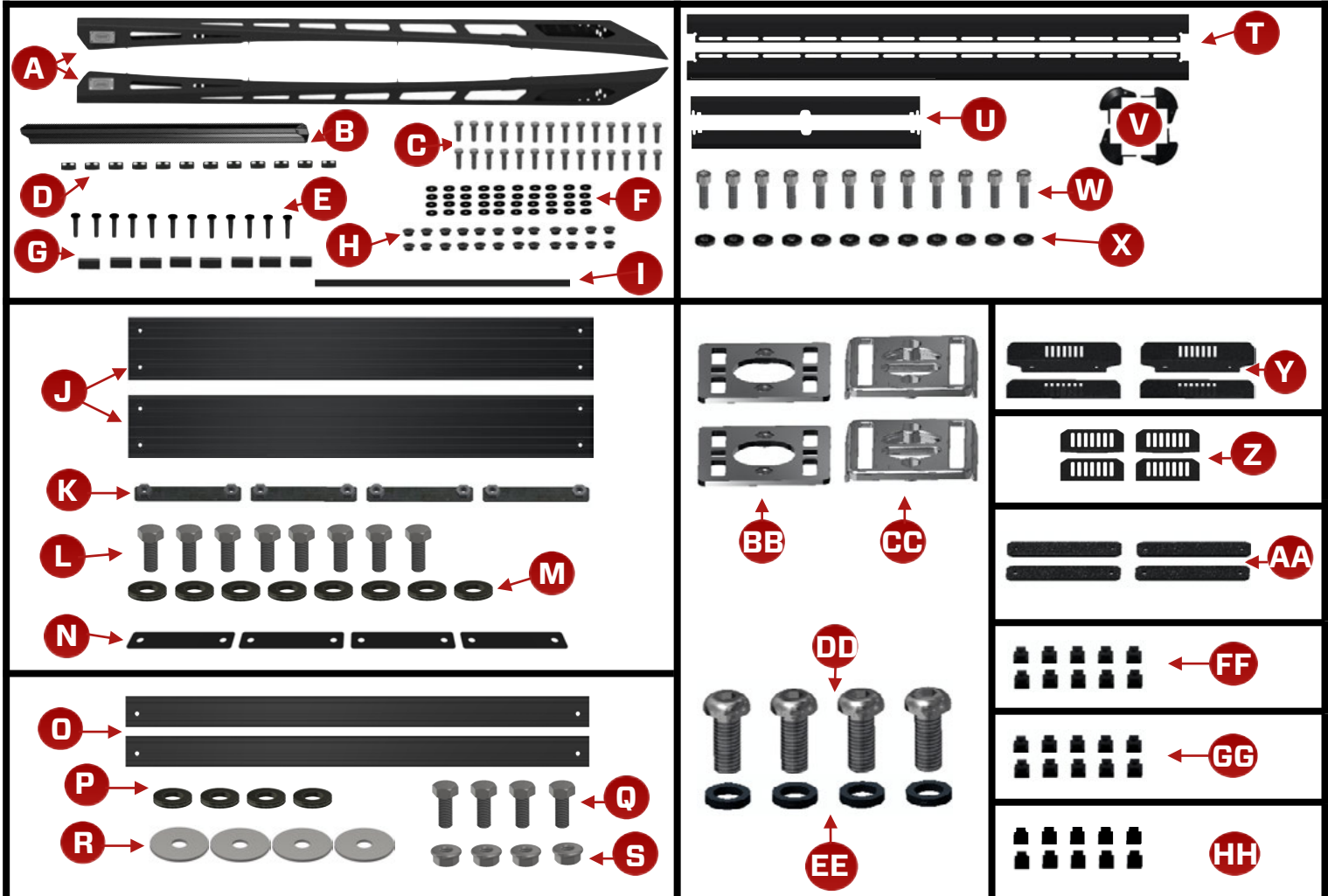


WL74 ROOF RACK

INSTALL INSTRUCTIONS

REVISION F
16 April 2024





REF	QTY	DESCRIPTION	REF	QTY	DESCRIPTION
		MOUNTING RAILS			ROOF RACK (Platform Frame) [7 Plank]
A	2	Mounting Rails (Left + Right)	T	2	Frame Rail (Right + Left)
B	1	ROOF RACK (Stealth Air Dam)	U	2	Frame Rail (Front + Rear)
C	28	M6 x 20mm Hex Head CL70 Bolt (SS316) (BLACK)	V	4	Frame Corner
D	12	Mounting Rails - Angle Bracket	W	16	M6 x 20mm H5 Socket Cap Head CL70 Screw (SS316)
E	12	M6 x 25mm Button Head TORX Bolt (CL8.8)(BLACK)	X	16	M6 Wedge-Lock Extended Washer (SS316)(BLACK)
F	40	M6 Wedge-Lock Extended Washer (SS316)(BLACK)			ROOF RACK (4x Plank End-Caps)
G	8	EPDM Rubber U-Channel Strip	Y	4	Plank End-Cap (Slotted)
H	24	M6 CL70 Flange Nut (SS316)(BLACK)			ROOF RACK (4x Half Plank End-Caps)
I	1	Butyl Rubber Sealing Tape	Z	2	Plank End-Cap (Slotted)
-	-	4g Anti-Sieze Pouch			ROOF RACK (Roof Top Tent KIT)
-	-	Chief Product Shop Rag	AA	2	Roof Top Tent Bracket
		ROOF RACK (2x Planks) [1146mm]			ROOF RACK (Tie-Down Plates)
J	2	Plank	BB	2	Tie-Down (Bottom Plate)
K	4	M8 Fastening Plate	CC	2	Tie-Down (Top)
L	8	M8 x 20mm Hex Head CL70 Bolt (SS316)	DD	4	M8 x 20mm H5 Socket Button Head Screw (SS316)
M	8	M8 Wedge-Lock Extended Washer (SS316)(BLACK)	EE	4	M8 Wedge-Lock Washer (SS316)
N	4	Rubber Isolater Strip			ROOF RACK (10x T-Nuts)
		ROOF RACK (2x Half Planks) [1146mm]	FF	10	M6 T-Nut 10.9 (Black)
O	2	Plank	GG	10	M8 T-Nut 10.9 (Black)
P	4	M8 Wedge-Lock Extended Washer (SS316)(BLACK)	HH	10	M10 T-Nut 10.9 (Black)
Q	4	M8 x 25mm Hex Head CL70 Bolt (SS316)			
R	4	M8 x 32mm Washer (SS316)			
S	4	M8 Flange Nut			

REQUIRED TOOLS

13mm Socket	Torque Wrench
10mm Socket	Tape Measure
Ratchet & Extension	
10mm Wrench	
T30 Torx (long shaft; 100mm+)	
H5 Hex Key	

NOTES

- DO NOT OVER-TIGHTEN FASTENERS.
- LEFT & RIGHT SIDES ARE DEFINED FROM THE DRIVERS POSITION.
- PHOTOS ARE REPRESENTATIVE ONLY. Photos may show prototype parts, may be taken from multiple vehicles, and may be different than your vehicle. Due to global vehicle variances, model year changes and differing model options (engine, options, etc.) it is impossible to provide photos that are 100% accurate for all customers.

IMPORTANT

- PROPER INSTALLATION IS ESSENTIAL TO THE PERFORMANCE OF THIS PRODUCT.
- ONLY INSTALL THIS PRODUCT ON A 2022-CURRENT JEEP GRAND CHEROKEE.
- ONLY USE THE PROVIDED HARDWARE FOR INSTALLATION.
- DO NOT MODIFY THE STRUCTURE OF THIS PRODUCT IN ANY WAY.
- CHECK PRODUCT REGULARLY FOR DAMAGE. REPLACE IMMEDIATELY AT FIRST SIGN OF DAMAGE.
- CHECK FASTENER TIGHTNESS REGULARLY AND TIGHTEN IF REQUIRED.
- WL74 ROOF RACK DELIVERS INDEPENDENTLY TESTED LOAD RATINGS OF 150KG (Dynamic) & 600KG (Static). Testing results are certified to comply with Australian Standard (AS 1235-2000) as well as international standards (ISO / PAS 11154 : 2009:2006) and (DIN 75302/02: 1991).
- FOR MAXIMUM SAFETY DO NOT EXCEED MANUFACTURERS ROOF WEIGHT LIMITS. Our load ratings represent the maximum mechanical forces our roof rack system can withstand before failure. Our load ratings do not address vehicle safety during high-speed manoeuvres, or changes to vehicle dynamics caused by a higher centre of gravity.
- FOR MAXIMUM SAFETY, LOADS SHOULD BE EVENLY DISTRIBUTED AND PROPERLY SECURED TO AVOID SHIFTING DURING TRANSPORT. Before using your roof rack, it is important to familiarise yourself with the proper load securing techniques and be constantly safety oriented. Please note, all of our load ratings are based on an evenly distributed load.

1

Remove OEM ROOF RAILS.

1. Remove (8) T30 TORX Screws (inside OEM roof rail channels).
2. Slide OEM Rails backward then up to release from front & rear location posts.

NOTE

TAKE CARE!! If too much force is applied, roof OEM nutserts can break free (spin in place). We advise using a penetrant oil to help release any 'stuck' roof fasteners. On older vehicles, the first and last roof nutserts may have collected dirt and corrosion. If so, cleaning is required or the bolts will not install fully. If highly corroded, a thread tap can be used.



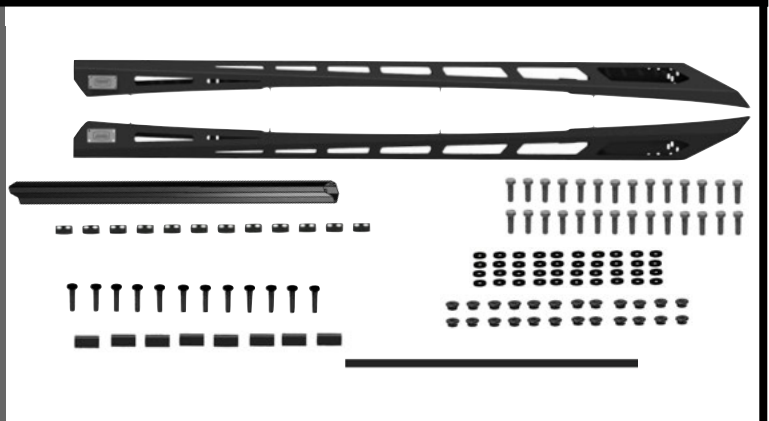
FASTENER THREADS:

- We recommend applying Anti-Seize onto the threads of all fasteners that use Wedge-Lock Washers. This will help prevent corrosion.

2

Prepare ALL PARTS & COMPONENTS

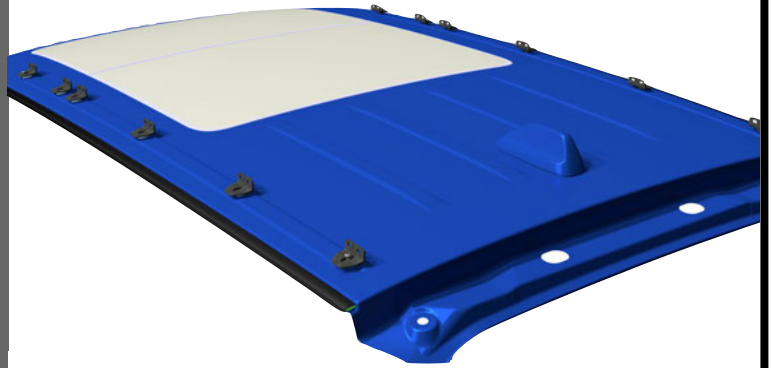
1. Layout all parts and components to ensure that they are all present and correct.
2. Ensure that you have identified both the LHS & RHS side rails. This is Important when ensuring the correct fitment to the roof rack.



3

Install ANGLE BRACKETS.

1. Create (14) Screw & Washer Combos, by adding (1) M6 Wedge-Lock Extended Washer [F] to (1) M6 x 25mm TORX T30 Button Head Screw [E].
2. Install (14) Angle Bracket [D] using Screw & Washer Combo onto the front nutsert on each side (left & right). Repeat on all nutserts.
3. Position Angle Brackets [D] so the upper flange is located inboard. LEAVE ALL BRACKETS LOOSE.



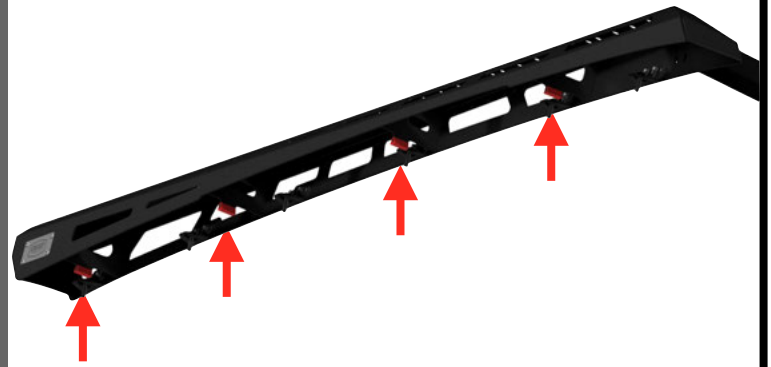
4

Prepare MOUNTING RAILS.

1. Fit (4) EPDM Rubber U-Channel Strips [G] to the gussets of Mounting Rails [A] on each side.

NOTE

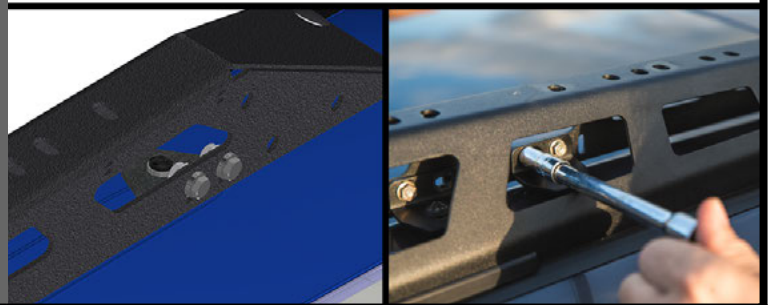
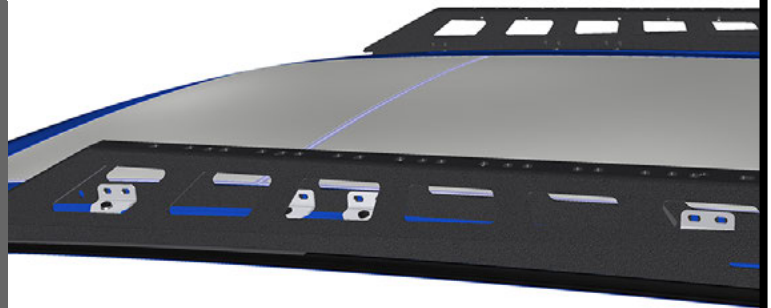
See red arrows pointing to highlighted rubber U-channel strips.



5

Install MOUNTING RAILS.

1. Place Mounting Rails [A] on vehicle so angled face is forward, and Angle Brackets [D] (highlighted in grey) are resting against inside face of Mounting Rail [A].
2. Create (24) Bolt & Washer Combos, using M6 x 20mm Hex Head Bolt [C] and M6 Wedge-Lock Extended Washer [F].
3. Insert Bolt & Washer Combo through outside face of Mounting Rails [A] and Angled Brackets [D]. Place M6 Wedge-Lock Extended Washer [F] and Hex Flange Nut [H] on Bolt and loosely tighten against inside face of Angled Brackets [D].



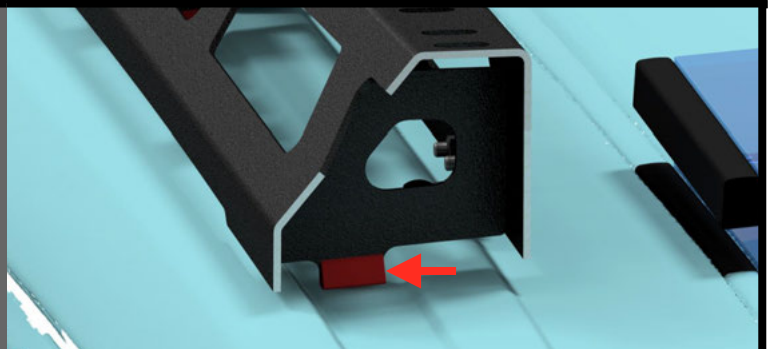
6

Prepare MOUNTING RAILS.

1. When placing the mounting rails on the vehicle make sure that the Rubber U-Channel Strips [G] are pressing firm against the vehicle roof.

NOTE

Make sure that at least the front and rear feet are touching the roof.



ATTENTION: SUNROOF OPTIONS

- If you have the Dual-Pane Panoramic Sunroof option on the WL74 go to step 7
- If you do not have the sunroof go to step 9
- This is important to not interfere with the sunroof function and to avoid damage to the vehicle

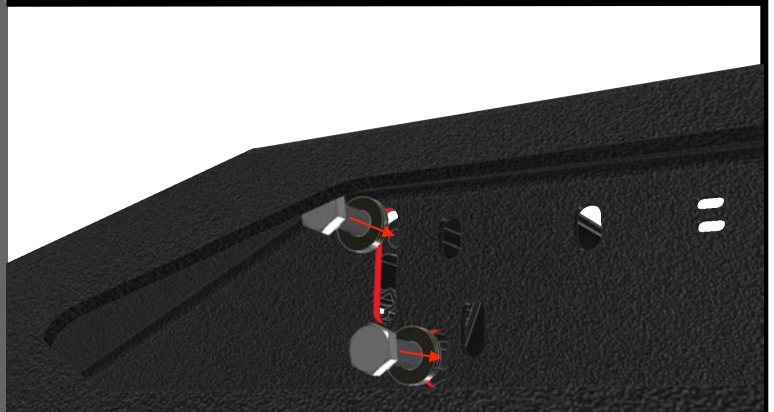
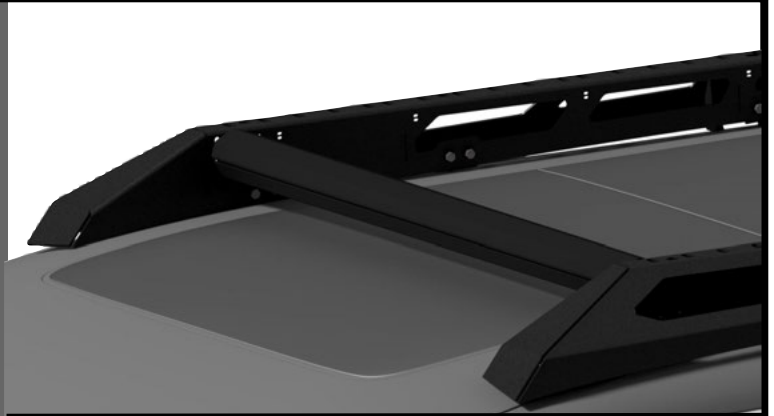
7

Attach STEALTH AIR DAM WITH SUNROOF

1. Open the Dual-Pane Panoramic Sunroof so that the sunroof glass sits directly below the Stealth Air Dam mounting position. SEE NOTE.
2. Place Stealth Air Dam [B] in the position shown in the **TOP** image.
3. Assemble the bolt combo's using (4) of M6 x 20mm Hex Head CL70 Bolts [C] and M6 Wedge-Lock Extended Washers [F].
4. Attach (2) bolts to each side on the Stealth Air Dam [B].
5. Tighten all (4) bolts to "Finger Tight"

NOTE

- You must install the Stealth Air-Dam with the Dual-Pane Panoramic Sunroof **open**, with the sunroof glass positioned directly below the Stealth Air-Dam position.
- This is to ensure enough clearance between the Stealth Air-Dam and Dual-Pane Panoramic Sunroof.
- To avoid any accidental damage during assembly, place a towel where you are working on the roof/sunroof.



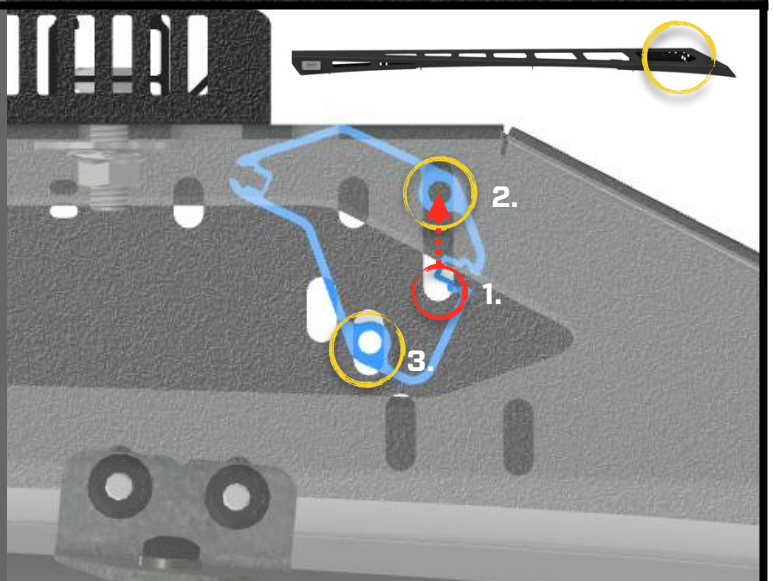
8

STEALTH AIR DAM WITH SUNROOF Positioning

1. To assist with the installation of the Air-Dam, the 1st screw can be attached at the bottom of the slot (highlighted red) [1.] and slid upwards to the yellow position [2.], then attach the second bolt [3.].
2. Double check the orientation you have of the air-dam. Do this with the sunroof open in its high position to be sure you have a small amount of clearance to the sunroof.
3. Make sure that the hardware are in the positions highlighted in yellow.

NOTE

- The correct positioning of the Stealth Air-Dam is crucial to eliminating any wind noise coming from the Rails.

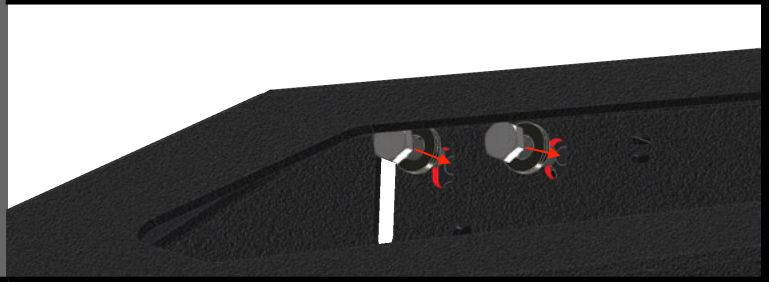
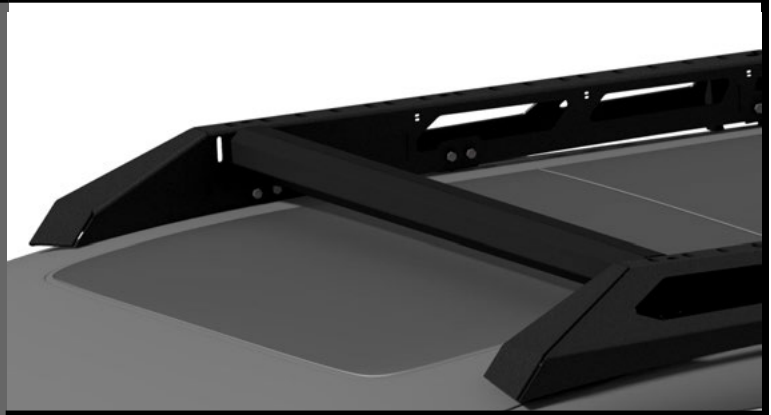


CONTINUE TO STEP 11

9

Attach Stealth AIR DAM WITHOUT SUNROOF

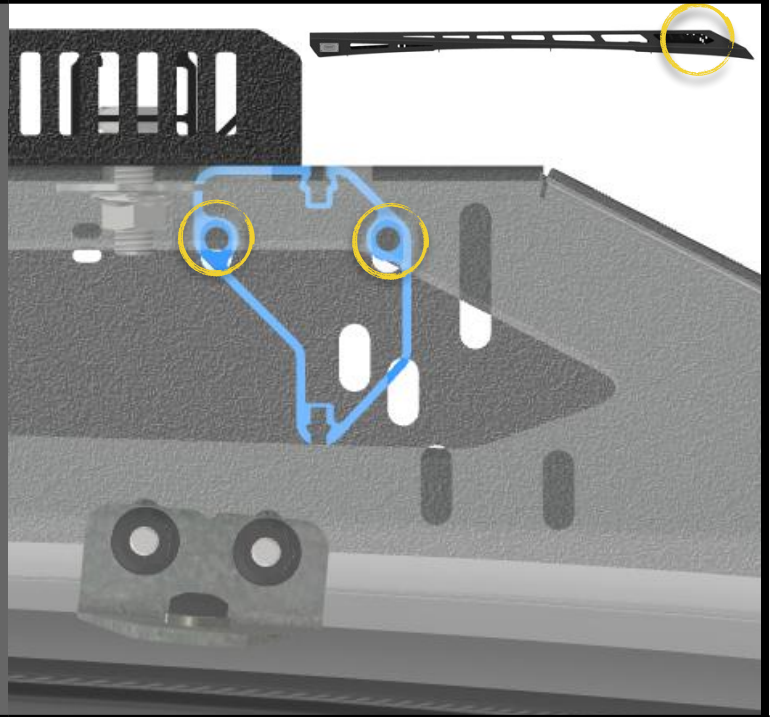
1. Place one Stealth Air Dam [B] in the position shown in the **TOP** image.
2. Assemble the bolt combo's using (4) of M6 x 20mm Hex Head CL70 Bolts [C] and M6 Wedge-Lock Extended Washers [F].
3. Attach (2) bolts to each side on the Stealth Air Dam [B].
4. Tighten all (4) bolts to "Finger Tight"



10

Attach Stealth AIR DAM WITHOUT SUNROOF

1. Double check the orientation you have of the air-dam.
2. Make sure that the hardware are in the positions highlighted in yellow.



NOTE

- The correct positioning of the Stealth Air-Dam is crucial to eliminating any wind noise coming from the Rails.

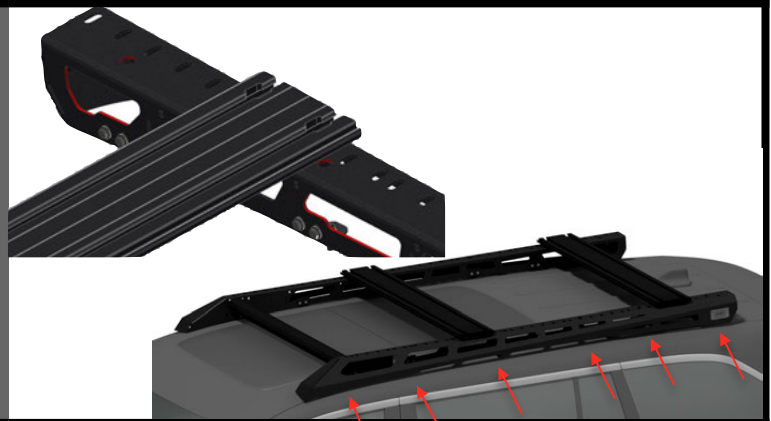
11

Position planks

1. Place (1) Plank [J] towards the front of the mounting rails. SEE NOTE.
2. Place (1) Plank [J] towards the rear of the mounting rails. SEE NOTE.

NOTE

Avoid placing planks directly above the 6 mounting points on each side to allow Torx tool access. This is a temporary assembly to aid in installation.



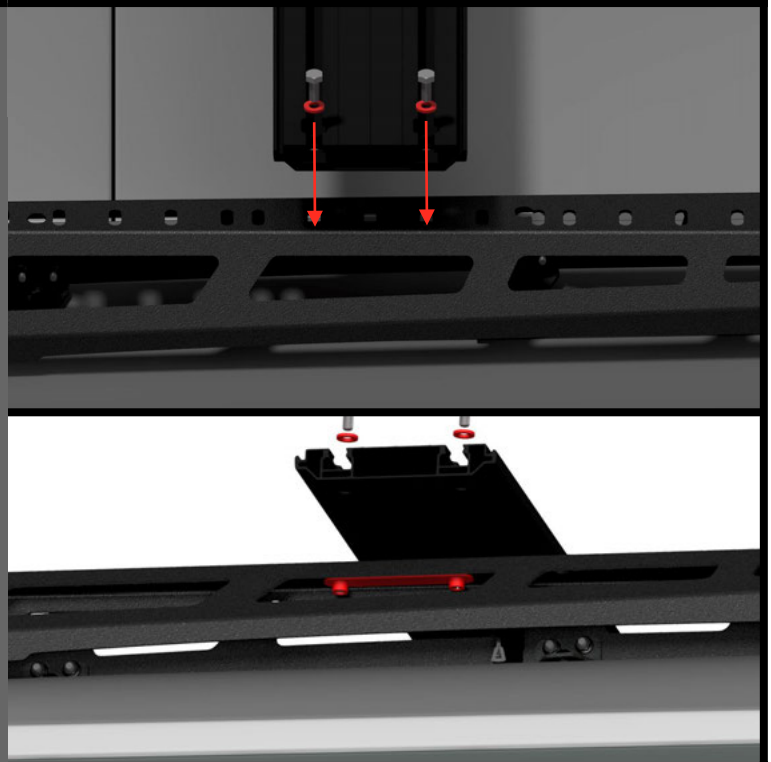
12

Attach 2 PLANKS

1. Create (4) Bolt & Washer Combos, by adding (1) M8 Wedge-Lock Extended Washer [M] to (1) M8 x 20mm Hex Head Bolt [L].
2. Using (2) Bolt & Washer Combos and (1) M8 Fastening Plate [K] secure the end of each Plank [J]. Place M8 Fastening Plate [J] on underside of top face of Mounting Rail [A] (bottom photo - M8 Fastening Plate in red). SEE NOTE.
3. Do this for the end of each Plank [J].

NOTE

Avoid placing planks directly above the 6 mounting points on each side to allow Torx tool access. This is a temporary assembly to aid in installation.



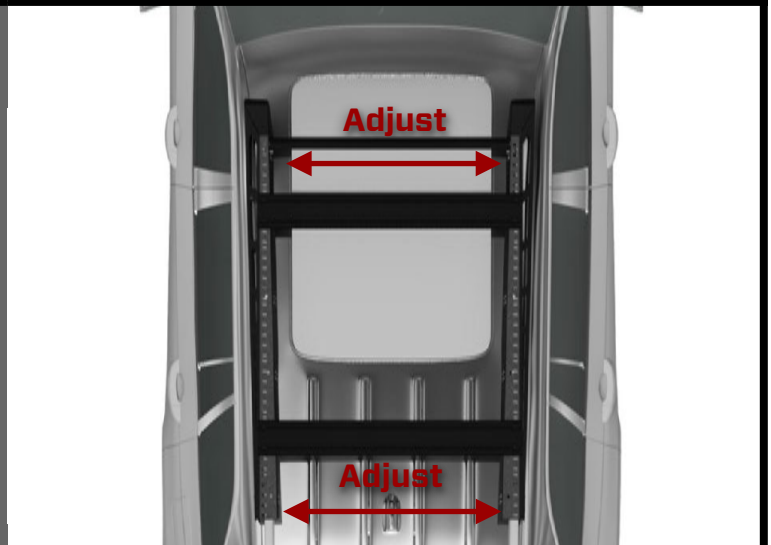
13

Align MOUNTING RAILS.

1. Ensure the Planks [J] and Mounting Rails [A] assembly are centred on the roof of the vehicle.
2. Tighten (2) M8 Bolts at each end of the Planks [J].

NOTE

- Recommended M8 Bolt Torque = 23Nm (Dry) or 18Nm (Anti-Seize).
- Before tightening all fasteners, put some weight on the roof rack to ensure that the Rubber U-Channel feet are firmly pressed against the roof of the vehicle. Then tighten all attachment points. This will avoid any possible vibrations caused from improper assembly.



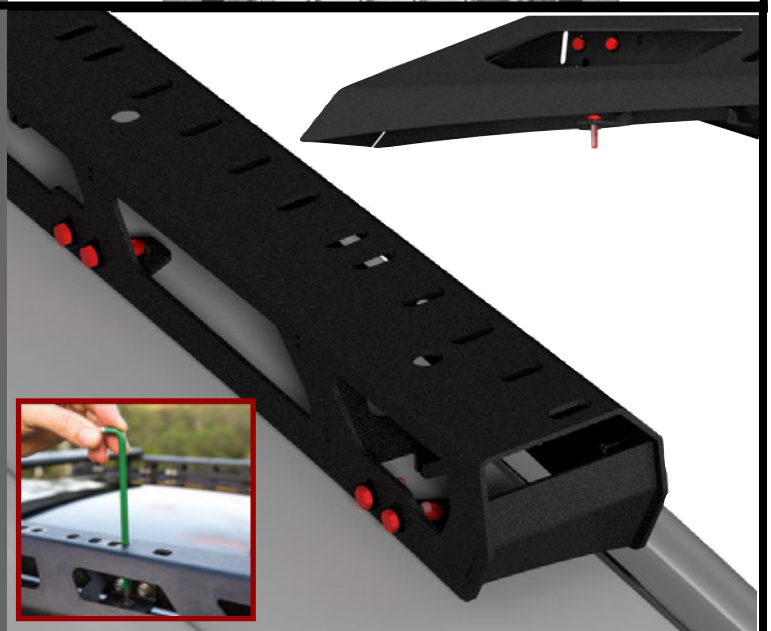
14

Finalize ALL ATTACHMENTS

1. Tighten (12) M6 TORX [E] Roof Bolts. A long shaft (100mm+) T30 Torx will be required to tighten Roof Bolts, (inset photo).
2. Tighten (24) M6 Hex Bolts [C].
3. Tighten Stealth Air Dam fasteners on the mounting rails and then tighten the Mounting Rail fasteners.

NOTE

Recommended M6 Bolt Torque = 14Nm (Dry) or 11Nm (Anti-Seize). Be sure to follow tightening sequence, otherwise joints may not sit flush. If it is difficult to tighten M6 Roof Bolts, read NOTE from STEP 1.



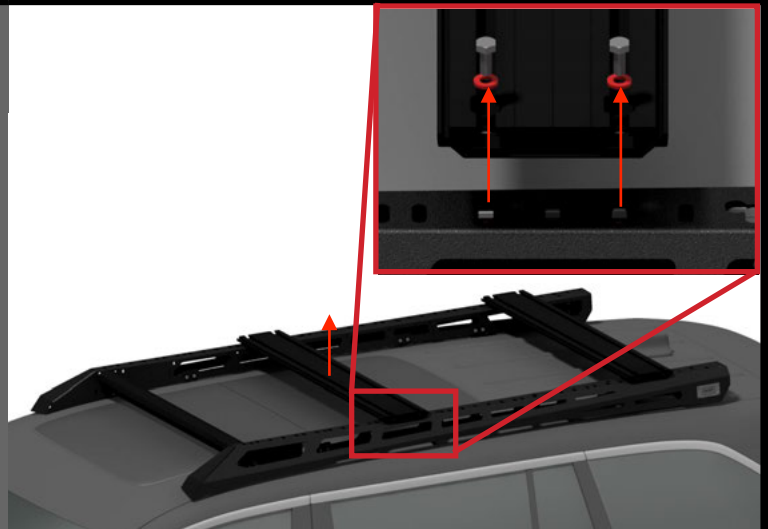
15

Remove attached PLANKS

1. Remove the Bolt [L] and washer [M] combo's from each end of the attached planks [J] (Keep these to one side, you will need them later).
2. Remove both planks [J] from the mounting rails [A]

NOTE

Keeping the bolt combo's with the planks will make it easier when properly installing the planks.



IF YOU'RE INSTALLING:

- APEX EDITION (Go To Step 16).
- SAFARI, OVERLAND, ROOF TOP TENT OR BARE BONES EDITION (Go To Step 20).
- ACCESSORIES (Go To Page 11).

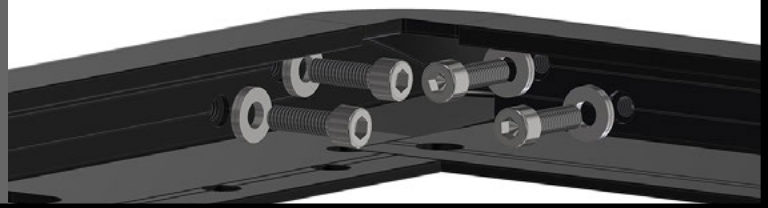
16

Prepare PLATFORM FRAME.

1. Place (2) Frame Rail (Front + Rear) [U], (2) Frame Rail (Left + Right) [T] and (4) Frame Corner [V] in position (top photo).
2. Install (1) Frame Corner [V] into each end of each Frame Rail (Front + Rear) [T].
3. Create (16) Screw & Washer Combo's, by adding (1) M6 Wedge-Lock Extended Washer [X] to (1) M6 x 20mm H5 Socket Cap Head Screw [W].
4. Insert (2) Bolt & Washer Combo through inner face of the Frame Rail (Front + Rear) [U] and tighten into Frame Corner [V]. Do this for each Frame Corner [V].

NOTE

Place parts on blanket to avoid scratches during installation.
Recommended M6 Bolt Torque = 18Nm (Dry) or 11Nm (Anti-Seize).



17

Prepare PLATFORM FRAME.

1. Place Platform Frame on Mounting Rails [A]. Align rear edge of the Platform Frame 15mm from the rear edge of Mounting Rails [A], (red arrow bottom photo).



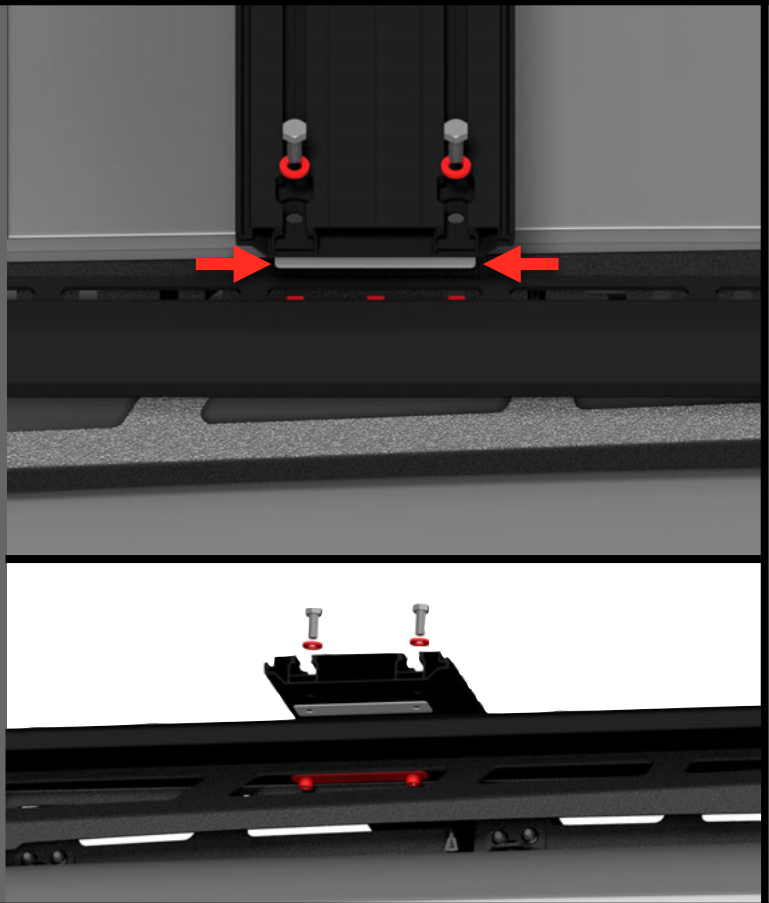
18

Install PLANKS

1. Create (4) Bolt & Washer Combos, by adding (1) M8 Wedge-Lock Extended Washer [M] to (1) M8 x 20mm Hex Head Bolt [L].
2. Using (2) Bolt & Washer Combos and (1) M8 Fastening Plate [K] secure the end of each Plank [J]. Place M8 Fastening Plate [K] on underside of top face of Mounting Rail [A] (bottom photo - M8 Fastening Plate in red). Insert each Bolt & Washer Combo through Plank [J], through (1) Rubber Isolator Strip [N] (red arrows), through Platform Frame, through Mounting Rail [A] and into M8 Fastening Plate [K] (top photo). Loosely assemble.
3. Do this for the end of each Plank [J].

NOTE

Ensure the front lip of your Plank tucks into the Platform Frame. You may need to angle the Plank slightly so the front lip of the Plank slips under the top face of the Frame.



19

Install PLANKS.

* You can now install your Planks in whatever configuration best meets your needs.

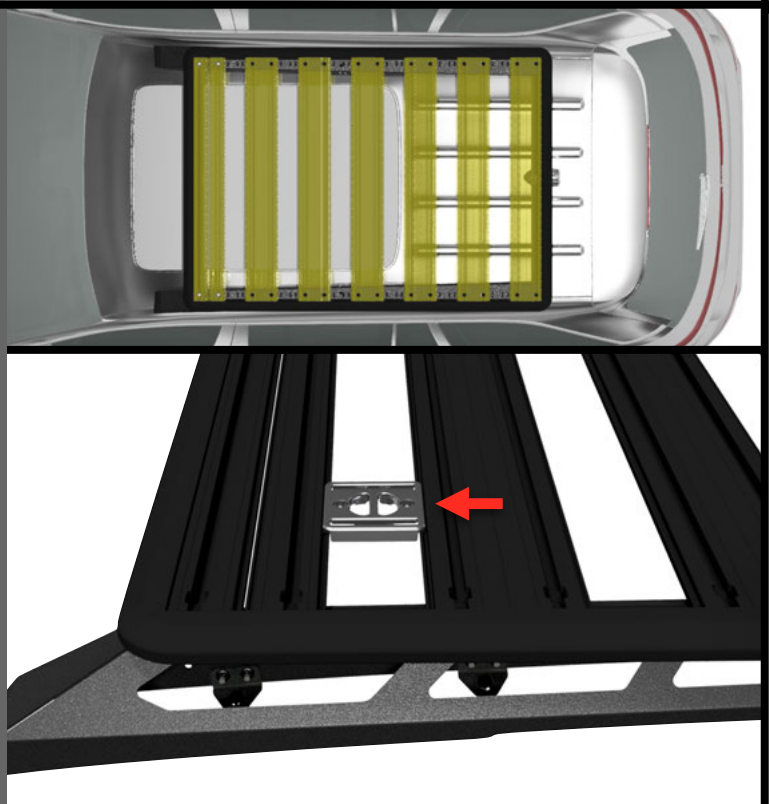
1. Repeat 15.1 and 15.2 for each Plank [J].
2. Tighten all fasteners.

TIP

If you have Tie-Down Plates, use the Tie-Down plates to get perfect spacing between Planks to ensure Tie-Down plates can move freely when adjusting their position.

NOTE

Recommended M8 Bolt Torque = 23Nm (Dry) or 18Nm (Anti-Seize). If you're installing Tie-Down Plates, you can use a Tie-Down (Top) [CC] to ensure perfect spacing between each Plank (BOTTOM PHOTO).



APEX EDITION is now fully installed

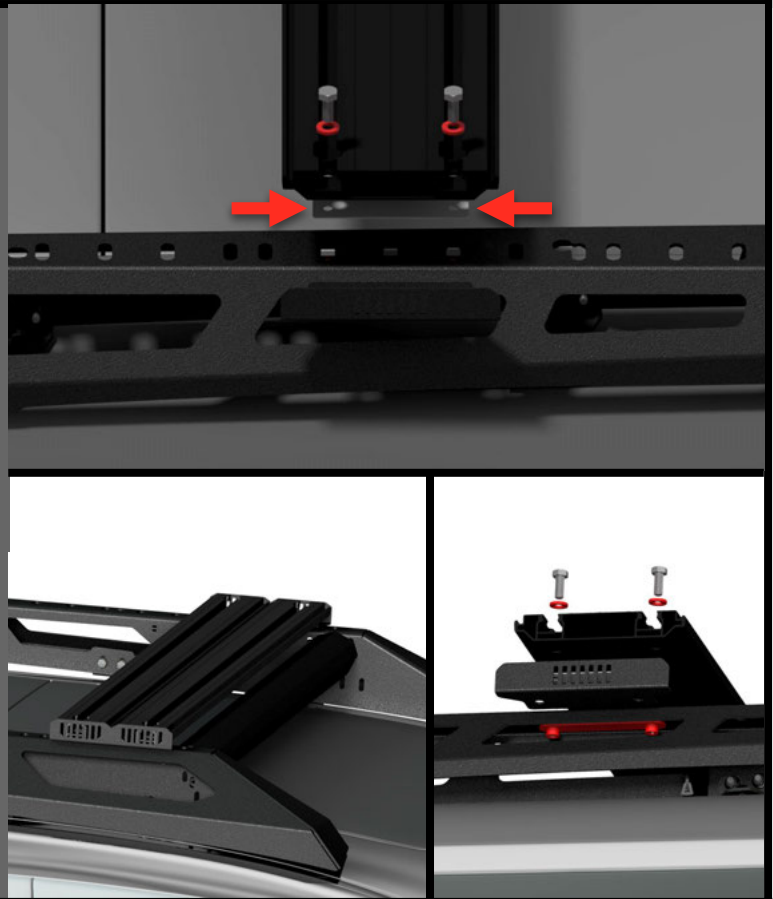
20

Install PLANKS.

1. Create (4) Bolt & Washer Combos, by adding (1) M8 Wedge-Lock Extended Washer [M] to (1) M8 x 20mm Hex Head Bolt [L].
2. Using (2) Bolt & Washer Combos and (1) M8 Fastening Plate [K] secure the end of each Plank [J]. Place M8 Fastening Plate [K] on underside of top face of Mounting Rail [A] (bottom photo - M8 Fastening Plate in red). Insert each Bolt & Washer Combo through Plank [J], through (1) Rubber Isolator Strip [K] (red arrows), through End Cap [Y], through Mounting Rail [A] and into M8 Fastening Plate [K] (top photo). Loosely tighten.
3. Do this for the end of each Plank [J]
4. The most ideal front plank position for minimising wind noise is directly behind the Air Dam (see image bottom left).

NOTE

If you are installing Half Planks, make sure to check page 10 for installation and tips.



21

Install PLANKS.

* You can now install your Planks in whatever configuration best meets your needs.

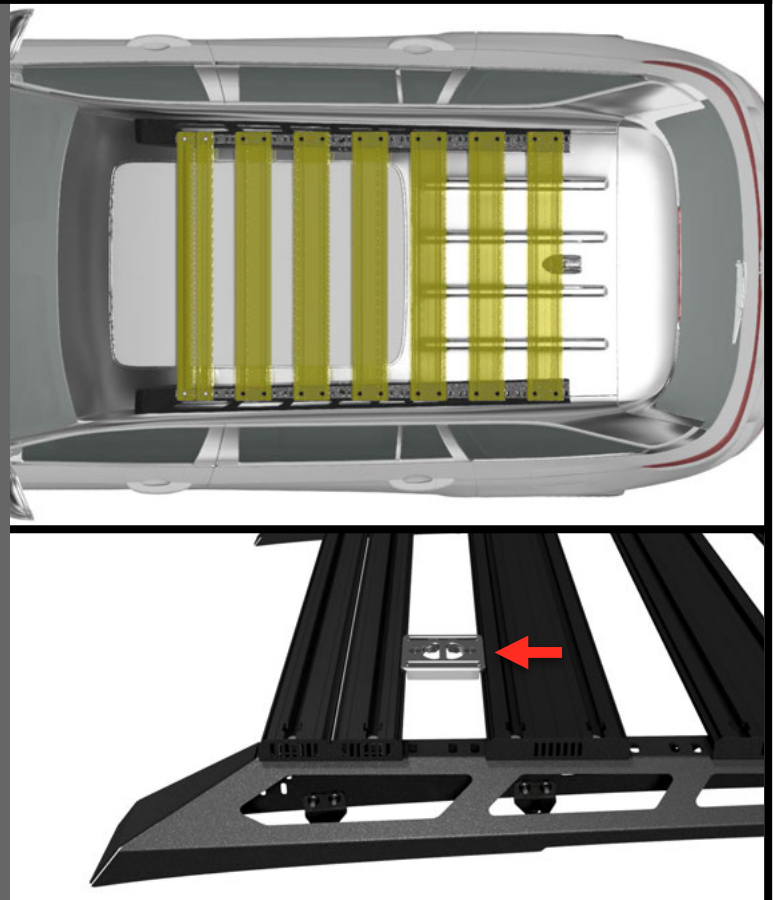
1. Repeat 17.1 and 17.2 for each Plank [J].
2. Tighten all fasteners.

TIP

If you have Tie-Down Plates, use the Tie-Down plates to get perfect spacing between Planks to ensure Tie-Down plates can move freely when adjusting their position.

NOTE

Recommended M8 Bolt Torque = 23Nm (Dry) or 18Nm (Anti-Seize).
If you're installing Tie-Down Plates, you can use a Tie-Down (Top) [CC] to ensure perfect spacing between each Plank (BOTTOM PHOTO).



SAFARI/OVERLAND/BARE BONES EDITION is now fully installed

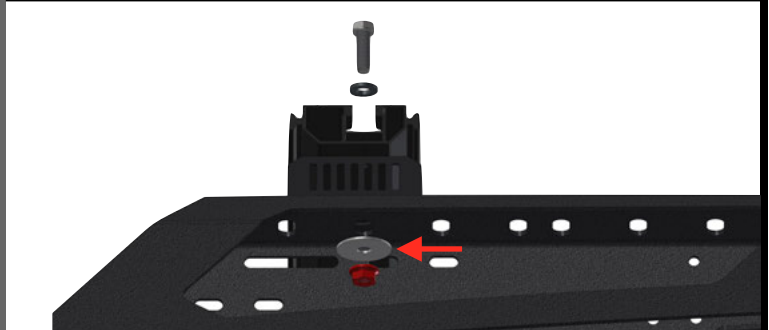
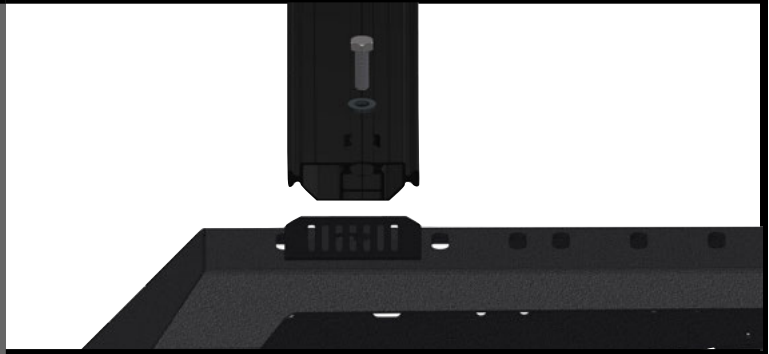
HALF PLANK KIT

[START]

1

Install HALF-PLANKS

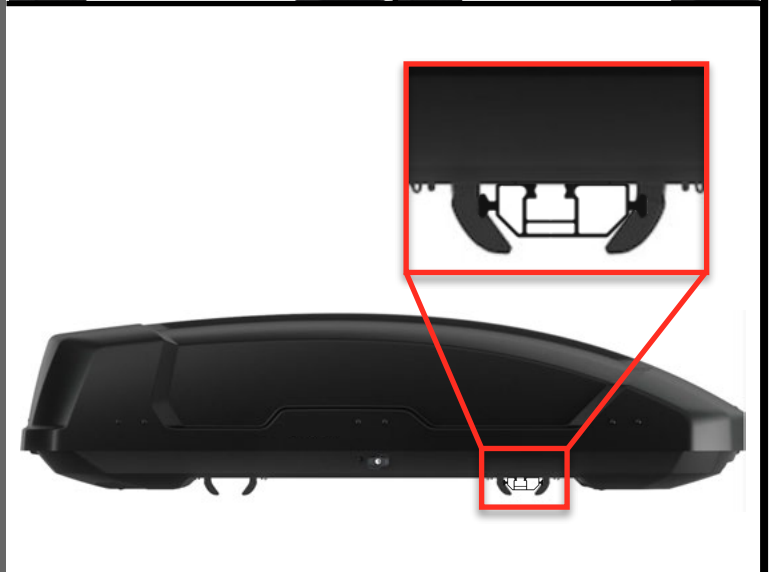
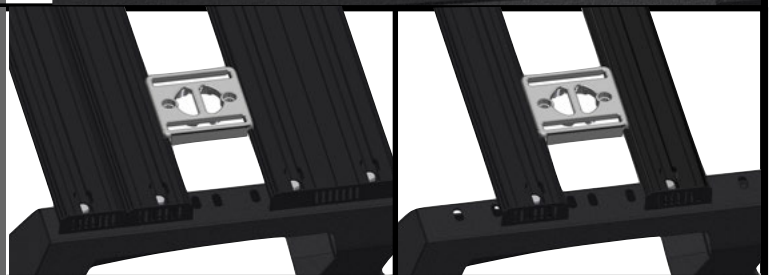
1. Create (2) Bolt & Washer Combos, by adding (1) M8 Wedge-Lock Extended Washer [P] to (1) M8 x 25mm Hex Head Bolt [Q].
2. Using (1) Bolt & Washer Combos and (1) M8 Flange Nut (highlighted red)[S] secure the end of each Plank [O]. Place M8 Flange Nut [S] beneath the M8 x 32mm Washer [R] on the underside of top face of Mounting Rail [A] (bottom photo). Insert each Bolt & Washer Combo through Plank [J], through End Cap [Z], through Mounting Rail [A], through M8 x 32mm Washer [R] (red arrow) and into M8 Flange Nut [S]. Loosely tighten.
3. Do this for the end of each Plank [O].



2

Half Plank uses

1. Half Planks can be assembled together to function the same as Full Planks or separate to use with accessories that clamp around more standard roof bars.
2. Compatible with all other Chief Products attachment accessories.



HALF PLANK KIT

[END]

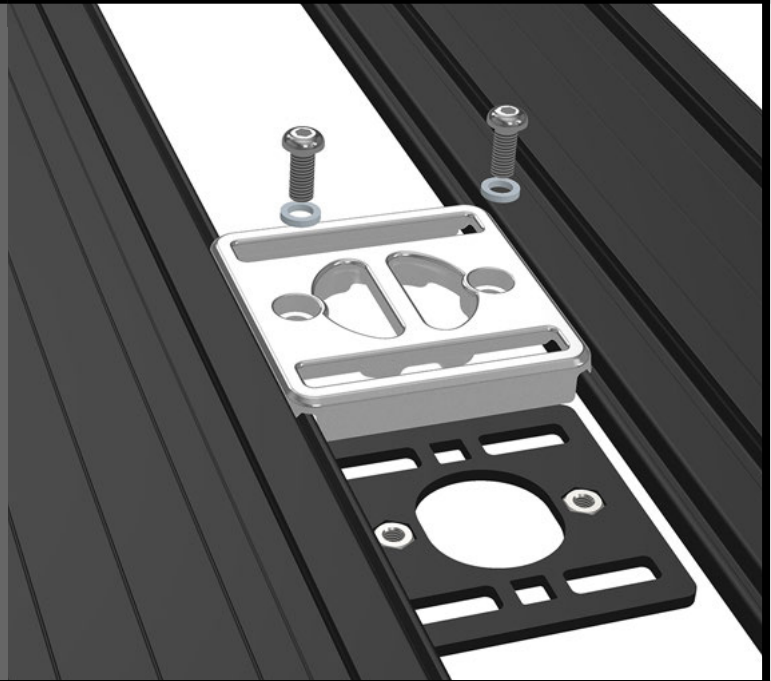
TIE-DOWN PLATES

[START]

1 TIE-DOWN PLATES

Install TIE-DOWN PLATE.

1. Install Tie-Down (Top) [BB] so the edges hook over the edges of the Planks [I] (See Photo).
2. Position Tie-Down (Bottom Plate) [AA] under Tie-Down (Top) [BB] with flush face facing upwards.
3. If installing T-Nuts [EE, FF, & GG] into Tie-Down Plate, see Step 2 now.
4. Create (2) Bolt & Washer Combos, by adding (1) M8 Wedge-Lock Extended Washer [DD] to (1) M8 x 25mm H5 Socket Button Head Screw [CC].
5. Secure Tie-Down Plate to Planks [I] by inserting Bolt & Washer Combo through Tie-Down (Top) [BB] and into Tie-Down (Bottom Plate) [AA].
6. Position Tie-Down Plate in desired location. Tighten fasteners.



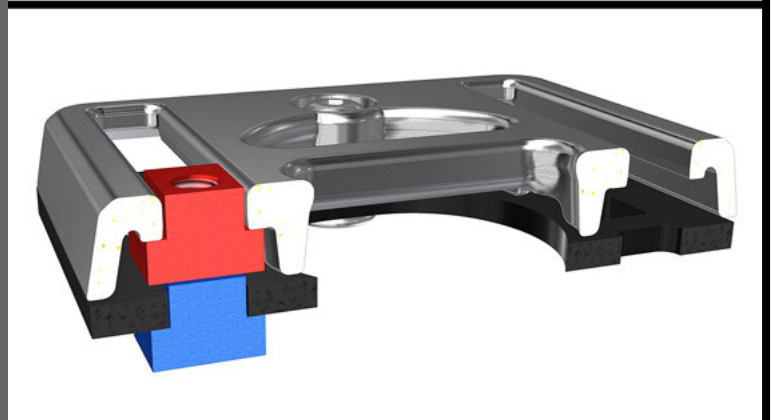
2 TIE-DOWN PLATES

Install T-NUTS.

1. Choose T-Nut location for intended use.
 - Upper position will capture T-Nut [EE, FF, & GG] within the adjustment slot and is suitable for most fastening requirements, (red in photo).
 - Lower position (below Bottom Plate) is not captive but is available for Heavy Duty applications (large spare tyre), (blue in photo).
2. If using Upper Position, position T-Nut [EE, FF, & GG] into adjustment slot, between Tie-Down (Top) [BB] and Tie-Down (Bottom Plate) [AA]. Tighten Tie-Down Plate fasteners. T-Nut can slide in adjustment slot, but cannot fall out.
3. If using Lower Position, hold T-Nut [EE, FF, & GG] below Tie-Down (Bottom Plate) [AA] of a fully installed Tie-Down Plate. Insert Bolt through Tie-Down Plate adjustment slot and into T-Nut.

NOTE

Only install T-Nuts when they are going to be used, otherwise they will move and make noise.



TIE-DOWN PLATES

[END]

ROOF TOP TENT KIT [START]

1 ROOF TOP TENT KIT

Position PLANKS.

1. Position each Plank (front & rear) to best suit your Roof Top Tent Manufacturers Recommendations.

NOTE

It is recommended that you position your Planks as far apart as possible for maximum support of your roof top tent.



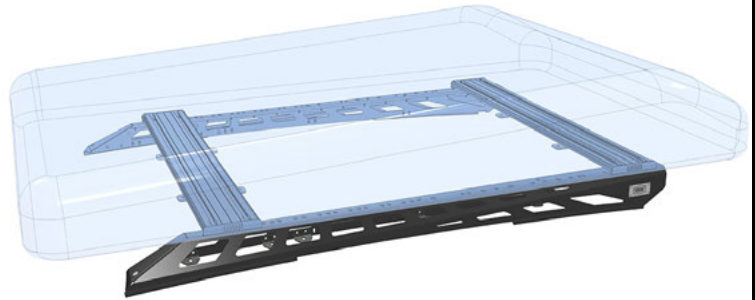
2 ROOF TOP TENT KIT

Install BRACKETS.

1. Position (1) Roof Top Tent Bracket [Z] underneath your Plank [I] at each corner of your Roof Top Tent.
2. Insert the fasteners from your Roof Top Tent down through each Roof Top Tent Bracket [Z] and tighten finger tight. Once all (4) are installed, tighten the fasteners at each corner.

!!IMPORTANT!

If you have a sunroof, ensure your fasteners do not extend more than 20mm below the Roof Top Tent Brackets. If they do, they could cause interference when opening the sun roof.



ROOF TOP TENT KIT [END]

T-NUTS [START]

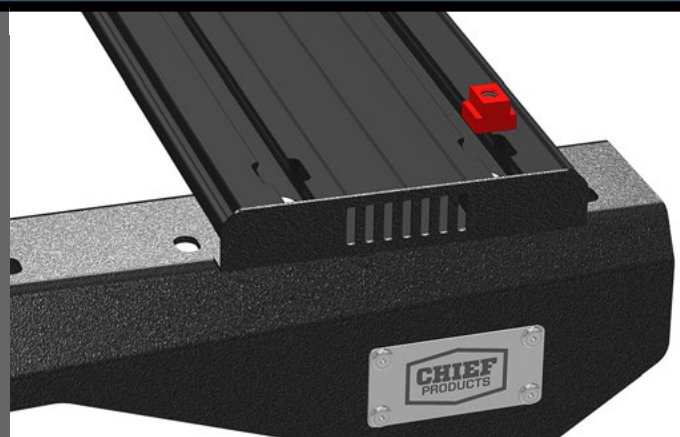
1 T-NUTS

Using T-NUTS.

1. When using T-Nuts with a Plank [I], drop them into one of the (2) square holes at the end of each Plank. Slide T-Nut in the track to the desired position.
2. When using T-Nuts with a Tie-Down Plate, see Step 2 of Tie-Down Plate instructions (above).

NOTE

Only install T-Nuts when they are going to be used, otherwise they will move and make noise. T-Nuts are Grade 10.9 for maximum strength.



T-NUTS [END]

TROUBLESHOOTING

[START]

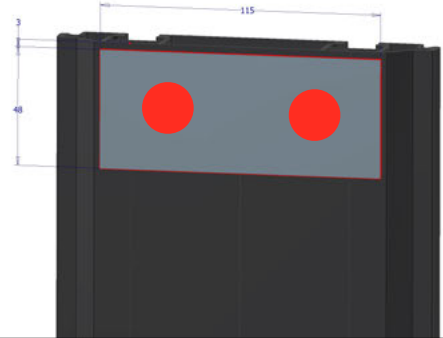
1 TROUBLESHOOTING

NOISE → VIBRATIONS (HUMMING SOUND 50-80kph)

1. Check that all Rubber Isolator Strip [M] have been installed properly. They should be positioned between Plank [I] and Platform Frame or End Cap [X].
2. If vibration persists; loosen (without removing) all fasteners retaining Planks [I] and Mounting Rails [A]. Tighten fasteners securing Mounting Rails [A], then tighten fasteners securing Planks [I].

NOTE

Mounting items on your rack will eliminate Plank vibrations.



1 TROUBLESHOOTING

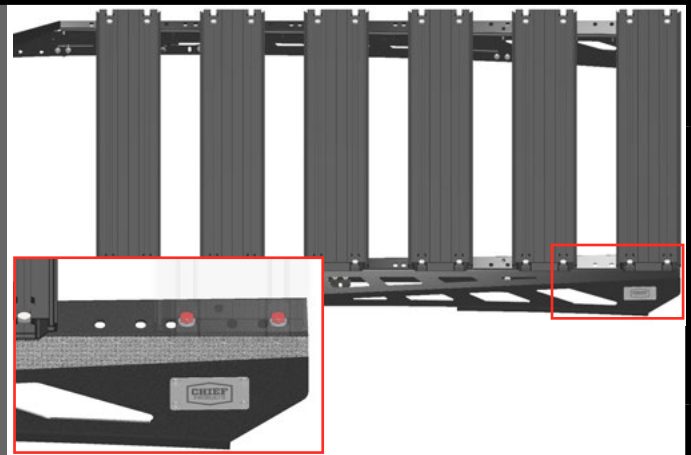
NOISE → WIND (WHISTLING)

1. Check that all End-Caps [X & Y] have been installed properly (Step 15). Open ended Planks can cause whistling noise.

1 TROUBLESHOOTING

SAFARI EDITION NOISE

1. Mounting the planks in the furthest back position while keeping standard plank spacing is the quietest setup for Safari edition users that encounter whistling.





TROUBLESHOOTING

[END]

MAINTENANCE

FASTENERS

- Check fastener tightness regularly and tighten if required. We recommend checking fasteners after every large off-road trip.

CORROSION PROTECTION

- After an off-road trip; rinse all mud, sand or debris off the product.
- After driving in salt water; rinse product thoroughly with fresh water.

EXTRA CARE

- If you're planning to drive in a salty environment; spray fasteners with WD40 or an equivalent.
- If you're planning to drive in a salty environment; spray product with Lanolin or an equivalent.
- Spray deep scratches (before they rust) with touch up paint to help inhibit corrosion.

SUPPORT

Find answers online.

www.chiefproducts.com.au/pages/support

Having troubles? Make sure you've downloaded the most recent version of these instructions from our website. We occasionally make updates.

www.chiefproducts.com.au/installation/wl74-roof-rack.pdf

If you need additional help, send us an email.

support@chiefproducts.com.au

SHARE

Looking to share? Send your epic photos & videos...

Unboxing, Fully Installed, Painted-In-Mud or out Adventuring in some beautiful location. If you share with us, we'll share with our followers.

UPLOAD

www.chiefproducts.com.au/share

EMAIL

connect@chiefproducts.com.au

HASHTAG

#ChiefProducts